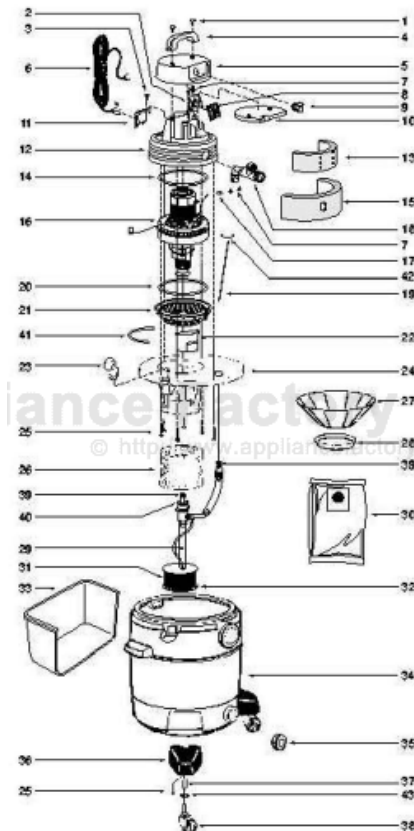


This Owner's Manual is provided and hosted by [Appliance Factory Parts](http://Appliance Factory Parts).



# Shop Vac QPV11.5 Owner's Manual

[Shop genuine replacement parts for Shop Vac QPV11.5](#)



[Find Your Shop Vac Vacuum Cleaner Parts - Select From 487 Models](#)

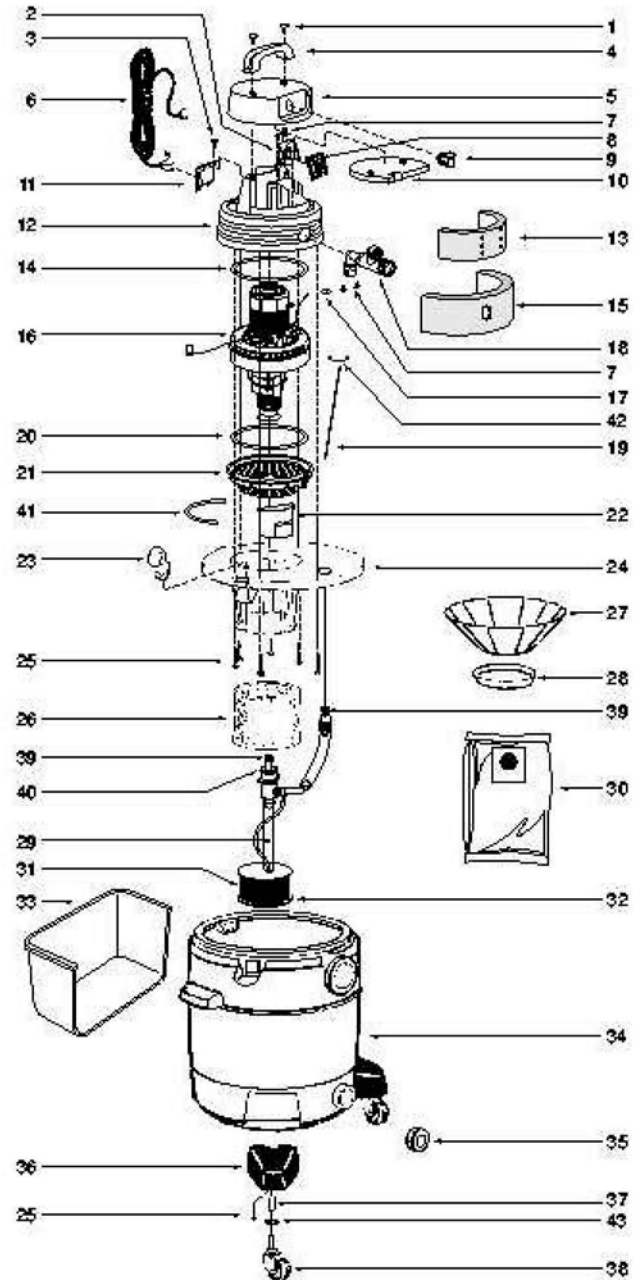
----- Manual continues below -----

shop-vac

# Model QPV 11.5

Catalog 9259700

(18 gal.)



ITEM	DESCRIPTION	PART NO.
1	Screws Tass Head 1/4 x 3/4 Type AB	1514699
2	Switch Assembly	2770296
3	Screw #8 x 1/2 Ph Pan Hd Type AB	1500799
4	Handle	2410501
5	Motor Housing Cover	2410604
6	Cord	2580012
7	Screw #8 x 3/4 Ph Pan HD	1500599
8	Link	2720100
9	Switch Cover and Actuator Assembly	2774096
10	Foam Insert Cover	2412500
11	Cord Retainer	2411107
12	Motor Housing	2410710
13	Foam Motor Housing Inner	1290400
14	Gasket Upper Motor	2070000
15	Foam Motor Housing Outer	2724100
16	Motor	1495497
17	Wire Nut	0500199
18	Shut-Off Assembly	2770096
19	Float Flod	2723200
20	Gasket Lower Motor	2072002
21	Grid Plate	2722800
22	Float	2720500
23	Lid Latch	8550101
24	Lid Cage & Latch Assembly	2726014
25	Screw #10 x 3/4 Ph Pan Hd Type AB	1503999
26	Foam Sleeve	9058562
27	Reusable Dry Filter	9010762
28	Filter Ring	3006500
29	Pump Adapter Kit (includes items 31 & 32)	2773296
30	Collection Bag (pkg. of 3)	9067362
31	Screen	2723710
32	Cage Bottom	2722500
33	Accessory Basket	8564202
34	Tank Assembly	1047197
35	Drain Cap	1062021
36	Caster Foot	8565100
37	Caster Retainer	8565600
38	Caster	6773600
39	O-Ring	7404199
40	O-Ring	7404099
41	Strip Gasket	2071100
42	O-Ring	7402999
43	Washer	0704399

### STANDARD ACCESSORIES

- 8' x 1 1/2" hose with curved end
- 2 - 11/2" extension wands
- 10" wet/dry nozzle
- 10" squeegee insert
- 8' x 2 1/2" hose
- 2 - 2 1/2" extension wands
- 6" utility nozzle
- 14" floor nozzle
- 14" squeegee insert
- crevice tool

### Limited One-Year Warranty

Shop-Vac Corporation warrants all Industrial, Commercial, and Contractor vacuum cleaners for one year from date of purchase to correct by repair or parts replacement without charge any product defect due to faulty material or workmanship.

Rev. A  
SC87513-67