

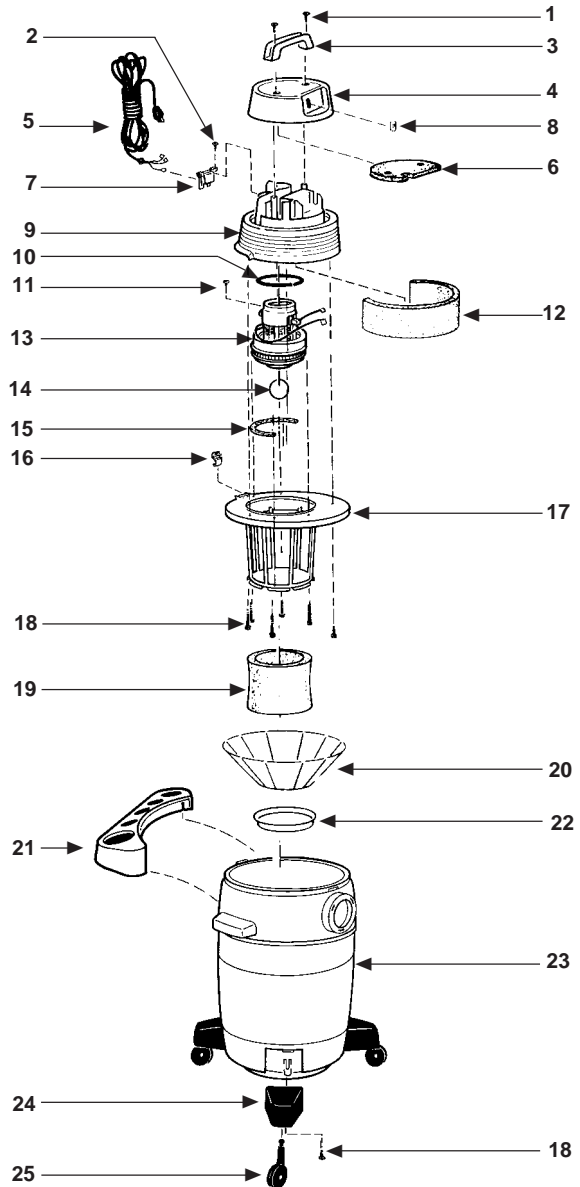
shop·vac®

Model - QS20A

Catalog 925-71-00 (6 Gal.)

925-71-11 (6 Gal.)

925-72-00 (5 Gal.)



ITEM	DESCRIPTION	PART NO.
1	Screw Truss Head 1/4 x 3/4 Type AB	15146-99-6
2	Screw #8 x 1/2 Ph Pan Hd Type AB	15007-99-0
3	Handle	24100-00-0
4	Motor Housing Cover	24101-01-6
5	Cord	25800-16-0
6	Foam Insert Cover	24122-00-4
7	Cord Retainer	24111-15-5
8	Switch	82318-00-7
9	Motor Housing	24102-31-1
10	Gasket - Upper Motor	20720-00-9
11	Ground Screw #10 - 24 x 1/2 Type F	17008-99-6
12	Foam Motor Housing - Outer	12905-04-8
13	Motor	18171-97-5
14	Ball Float	00811-00-0
15	Strip Gasket	20711-00-8
16	Lid Latch	85501-01-3
17	Lid Cage & Latch Assembly	89140-14-9
18	Screw Hex Head #10 x 3/4 Type AB	15039-99-3
19	Foam Sleeve	90585-62-1
20	Reusable dry filter	90107-62-4
21	Accessory/Tool Holder	84110-00-6
22	Filter Ring	30065-00-7
23	Tank Assembly (5 Gal.) (6 Gal.)	84831-97-0 84833-97-9
24	Caster Foot	85815-00-9
25	Casters (Pkg. of 4)	42043-96-8

STANDARD ACCESSORIES

- 6' x 1 1/4" hose with extension nozzle
- 2 - 1 1/4" extension wands
- 10" deluxe wet/dry nozzle
- 10" squeegee insert

THREE-YEAR HOME USE WARRANTY

Your Shop-Vac® vacuum cleaner is warranted in normal household use, in accordance with the User Manual, against original defects in material and workmanship for a period of three years from date of purchase. Should this product be used for commercial or rental use, a 90 day limited warranty will apply. Shop-Vac Corporation warrants placing this vacuum cleaner in correct operating condition, by repair or parts replacement, during the warranty period, without charge. This warranty does not cover accessories. Use of non-recommended filters and/or accessories may void the manufacturer's warranty.