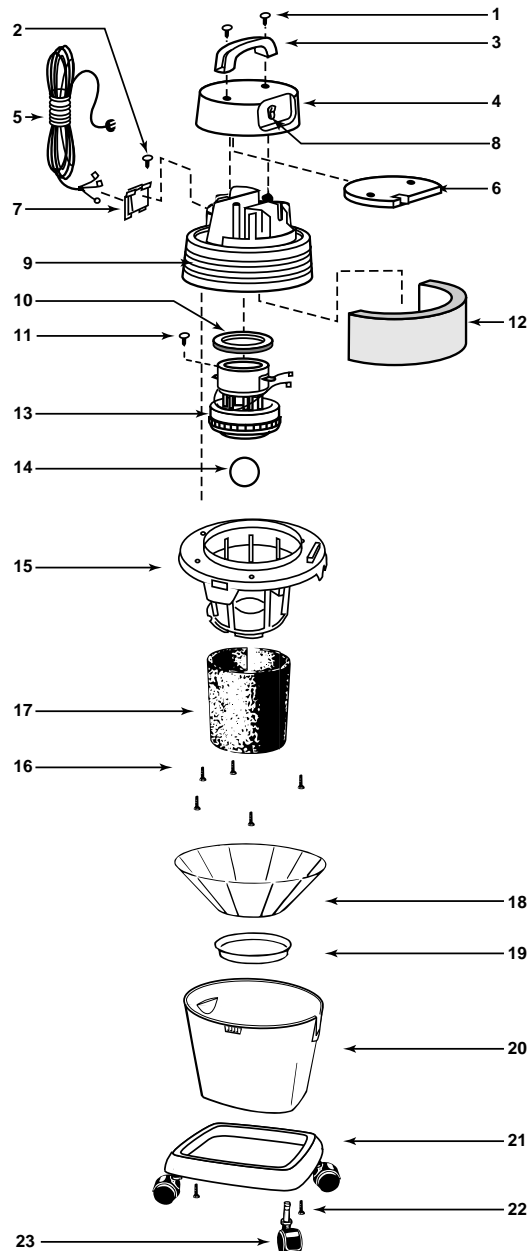


shop·vac®

# Model - QS725A

Catalog 985-04-00 (1.5 Gal.)

985-05-00 (1.5 Gal.)



ITEM	DESCRIPTION	PART NO.
1	Screw Truss Head 1/4 x 3/4 Type AB	15146-99-6
2	Screw #8 x 1/2 Ph Pan Hd Type AB	15007-99-0
3	Handle	24100-01-8
4	Motor Housing Cover	24101-03-2
5	Cord	25800-18-6
6	Foam Insert Cover	24122-00-4
7	Cord Retainer	24111-15-5
8	Switch	82318-00-7
9	Motor Housing	24102-34-5
10	Gasket - Upper Motor	20720-00-9
11	Ground Screw #10 - 24 x 1/2 Type F	17008-99-6
12	Foam Motor Housing - Outer	12905-04-8
13	Motor	18172-97-3
14	Ball Float	00811-00-0
15	Lid Cage	31810-00-5
16	Screw Hex Head #10 x 3/4 Type AB	15039-99-3
17	Foam Sleeve	90585-62-1
18	Reusable dry filter	90107-62-4
19	Filter Ring	30065-00-7
20	Tank Assembly	31504-97-0
21	Dolly	31550-00-7
22	Screw #8 x 1/2 Ph Pan Hd Type A	15015-99-3
23	Casters (Pkg. of 4)	49018-96-3

### STANDARD ACCESSORIES

- 6' x 1 1/4" hose with extension nozzle
- 2 - 1 1/4" extension wands
- 12" deluxe wet/dry nozzle
- 12" squeegee insert
- 12" brush insert
- round brush
- crevice tool
- gulper nozzle

### THREE-YEAR HOME USE WARRANTY

Your Shop-Vac® vacuum cleaner is warranted in normal household use, in accordance with the User Manual, against original defects in material and workmanship for a period of three years from date of purchase. Should this product be used for commercial or rental use, a 90 day limited warranty will apply. Shop-Vac Corporation warrants placing this vacuum cleaner in correct operating condition, by repair or parts replacement, during the warranty period, without charge. This warranty does not cover accessories. Use of non-recommended filters and/or accessories may void the manufacturer's warranty.