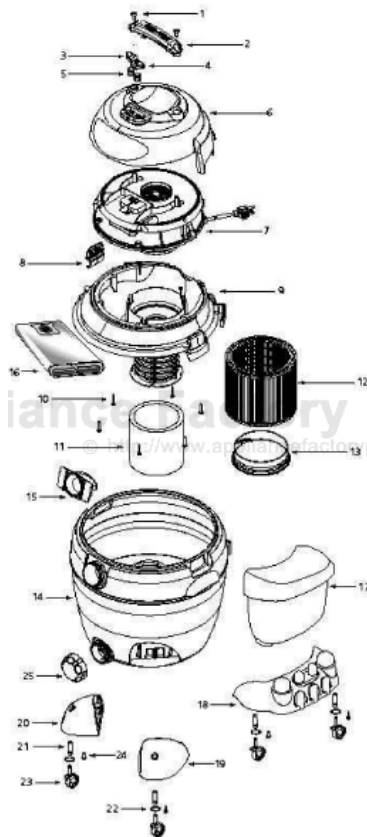


This Owner's Manual is provided and hosted by [Appliance Factory Parts](#).



Shop Vac QUL550 Owner's Manual

[Shop genuine replacement parts for Shop Vac QUL550](#)



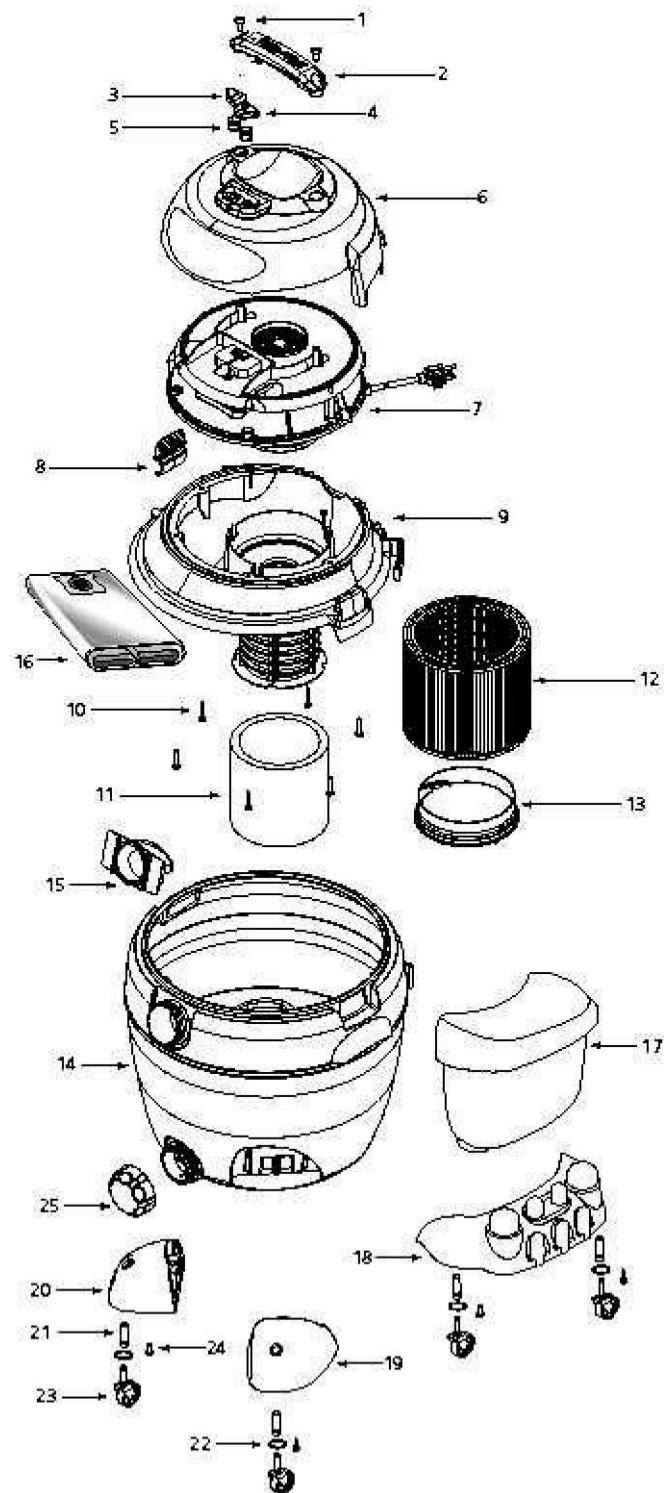
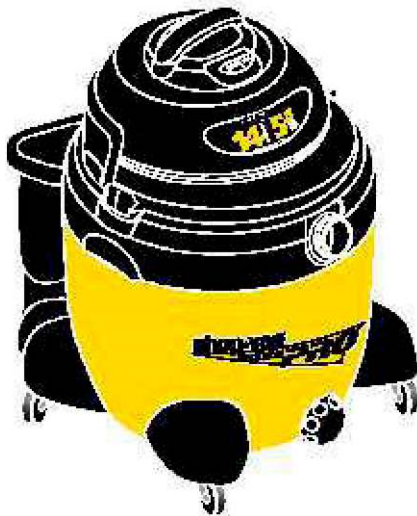
[Find Your Shop Vac Vacuum Cleaner Parts - Select From 487 Models](#)

----- Manual continues below -----

shop-vac®

Model - QUL550

Catalog 9621400
(14 Gal.)



ITEM	DESCRIPTION	PART NO.
1	Screw 1/4 x 3/4 Triloba T30 HD	1515999
2	Handle	74-4-4400
3	Switch Button - On	7414200
4	Switch Button - Off	7414210
5	Spring	2802899
6	Motor Cooler Assembly	1944C5S
7	Power Unit Assembly	7260997
8	Lid Latch	7444500
9	Lid Cage and Latch Assembly	744-3760
10	Screw 10x3/4 Triloba T25 Head	1516099
11	Foam Sleeve	9058562
12	Cartridge Filter	9030462
13	Filter Retainer	3008000
14	Tank Assembly	7362997
15	Inlet Deflector	7413100
16	Collection Bag	9066262
17	Accessory Basket	9064500
18	Rear Caster Dolly	7431230
19	Casterfoot A	7431300
20	Casterfoot B	7431310
21	Retainer	8565700
22	Flatwasher	0704399
23	Caster	6773600
24	Screw 10* 3/4 SL Hex Head	1503999
25	Drain Cover	7413620

STANDARD ACCESSORIES

- 8' x 2-1/2" hose
- 2 - 2-1/2" extension wands
- 14" floor nozzle w/brush
- 14" squeegee insert

- Concentrator nozzle
- 2-1/2" crevice tool
- 8" utility nozzle
- hose holder
- elbow grip

FOUR-YEAR HOME USE WARRANTY

Your Shop-Vac® vacuum cleaner is warranted in normal household use, in accordance with the User Manual, against original defects in material and workmanship for a period of four years from date of purchase. Should this product be used for commercial or rental use, a 90 day limited warranty will apply. Shop-Vac Corporation warrants placing this vacuum cleaner in correct operating condition, by repair or parts replacement, during the warranty period, without charge. This warranty does not cover accessories. Use of non-recommended filters and/or accessories may void the manufacturer's warranty.

SC87525-07