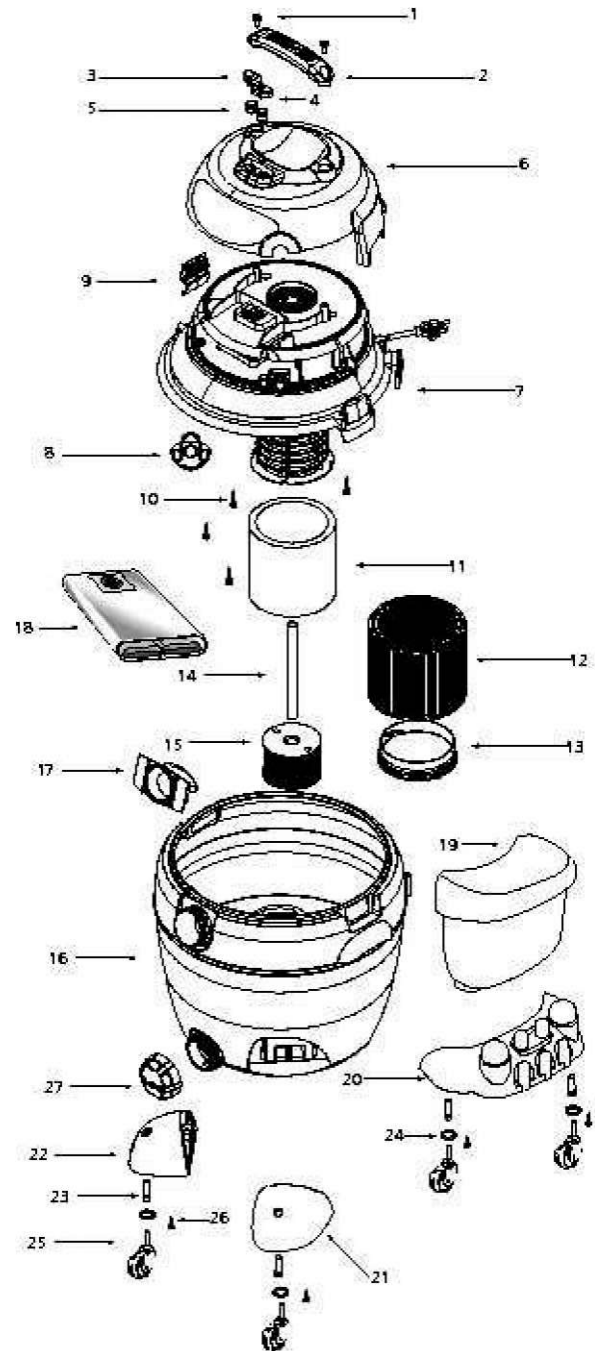


Model QULP650

Catalog 9609710
(18 Gal)

shop-vac



HEM	DESCRIPTION	PART NO.
1	S&aw 1/4 x Tri ioba T30 HD	1515999
2	Handle	7444400
3	Switch Button - On	7414200
4	Switch Button - Off	7414210
5	Spnng	2802399
6	Motor Cover Assembly	1944065
7	Power Unit Assembly	7260597
3	Outlet Fitting Cap	7414022
9	Lid Latch	7444500
10	Screw 10x 3/4Triloba T25 Head	1516099
11	Foam Sleeve	9053562
12	Cartridge Filter	9030462
13	Filter Retainer	3003000
14	Pickup Tube	2723107
15	Pickup Cage Assembly	7412250
16	Tank Assembly	7363197
17	Inlet Deflector	7413100
18	Collection Bag	9066362
19	Accessor y Basket	906^800
20	Rear Caster Dolly/Tool Holder	7431230
21	Ca sterfoot A	7431300
22	Casterfoot B	7431310
23	Retainer	8565700
24	Flatwa sher	0704399
25	Caster	6773600
26	Screw 10x 3/4SL Hex Head	1503999
27	Drain Cover	7413620

STANDARD ACCESSORIES

- 8' x 1-1/4" Hose w/locking swivel end
- (2) 1-1/4" Extension wands
- 10" Combination nozzle
- 10" Squeegee Insert
- 6' x 2-1/2" Hose w/locking swivel end
- (2) 2-1/2" Extension wands
- 14" Floor nozzle
- 14" Squeegee insert
- 8" Utility nozzle
- 2-1/2" Crevice tool
- Hose holder
- Elbow grip

LIMITED ONE YEAR WARRANTY

Shop-Vac Corporation warrants all Industrial, Commercial, and Contractor vacuum cleaners for one year from date of purchase to correct by repair or parts replacement without charge any product defect due to faulty material or workmanship, provided that the vacuum cleaner is not used for rental service.

SC87526-08