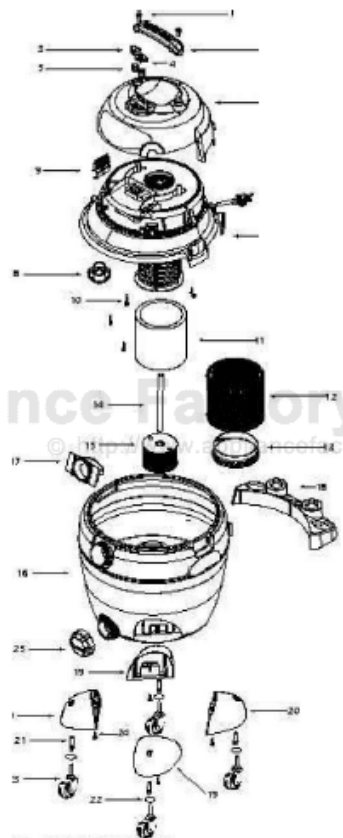


This Owner's Manual is provided and hosted by [Appliance Factory Parts](#).



Shop Vac QULP600 Owner's Manual

[Shop genuine replacement parts for Shop Vac
QULP600](#)



[Find Your Shop Vac Vacuum Cleaner Parts - Select From 487 Models](#)

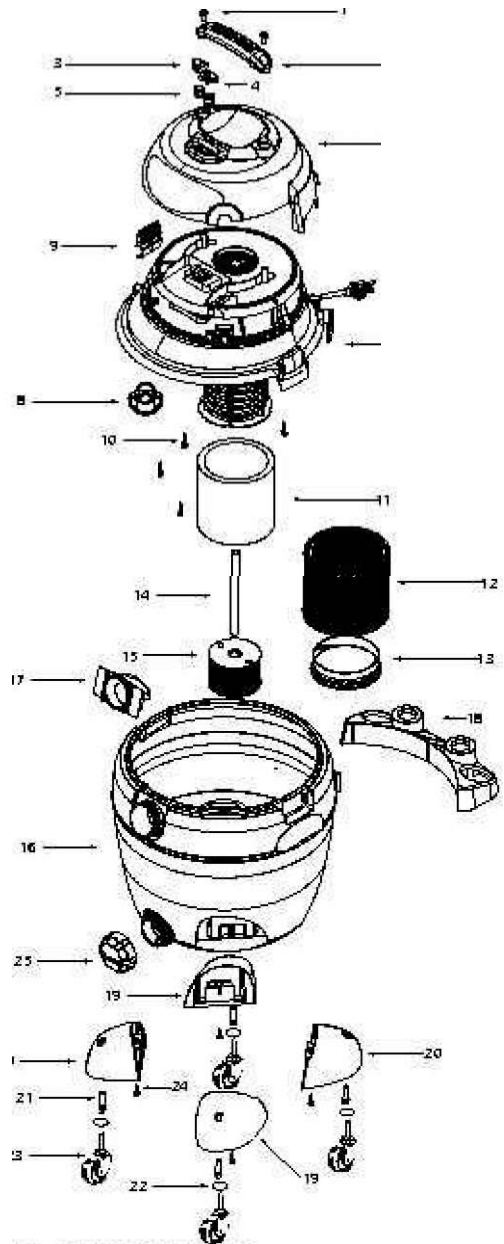
----- Manual continues below -----

shop-vac®

Model - QULP600

Catalog 9801795 (18 Gal.)

Costco



ITEM	DESCRIPTION	PART NO.
1	Screw 1/4 K 3/4 Trilobe T25 HD	1515999
2	Handle-	7444400
3	Switch Button - On	7414200
4	Switch Button - Off	7414210
5	Spring	2802853
6	Motor Cover Assembly	1944080
7	Power Unit Assembly	7250497
8	Outlet Fitting Cap	7414021
9	Lid Latch	7414500
10	Screw 10 x 3/4 Trilobe "T25 Head	1516099
11	Foam Sleeve	9058562
12	Cartridge Filter	9030462
13	Filter Retainer	3008000
14	Pickup Tube	2723103
15	Pickup Cage Assembly	7412250
16	Tank Assembly	7364297
17	Inlet Deflector	74-13100
18	Tool Holder	9013100
19	Casterfoot ft	7431 300
20	CasterFoot B	74-31 31 0
21	Retainer	8565700
22	Flatwasher	0704399
23	Caster	6773600
24	Screw 10x3/4 SL Hex HD	1503999
25	Drain Cover	7413620

STANDARD ACCESSORIES

- 6' x 2-1/2" Hose
- 2 - 2-1/2" Extension wands
- 14" Floor nozzle w/brush
- 14" Squeegee Insert
- 8" Utility nozzle
- Hose holder
- Elbow grip

THREE-YEAR HOME USE WARRANTY

Your Shop-Vac® vacuum cleaner is warranted in normal household use, in accordance with the User Manual, against original defects in material and workmanship for a period of three years from date of purchase. Should this product be used for commercial or rental use, a 90 day limited warranty will apply. Shop-Vac Corporation warrants placing this vacuum cleaner in correct operating condition, by repair or parts replacement, during the warranty period, without charge. This warranty does not cover accessories. Use of non-recommended filters and/or accessories may void the manufacturer's warranty.