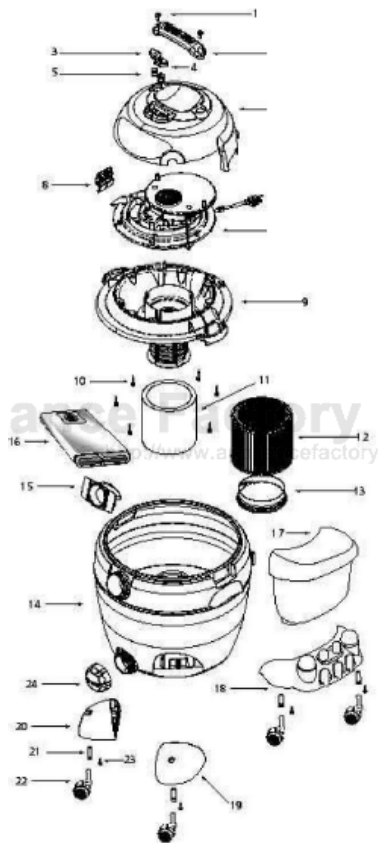


This Owner's Manual is provided and hosted by [Appliance Factory Parts](#).



Shop Vac QUM400 Owner's Manual

[Shop genuine replacement parts for Shop Vac QUM400](#)



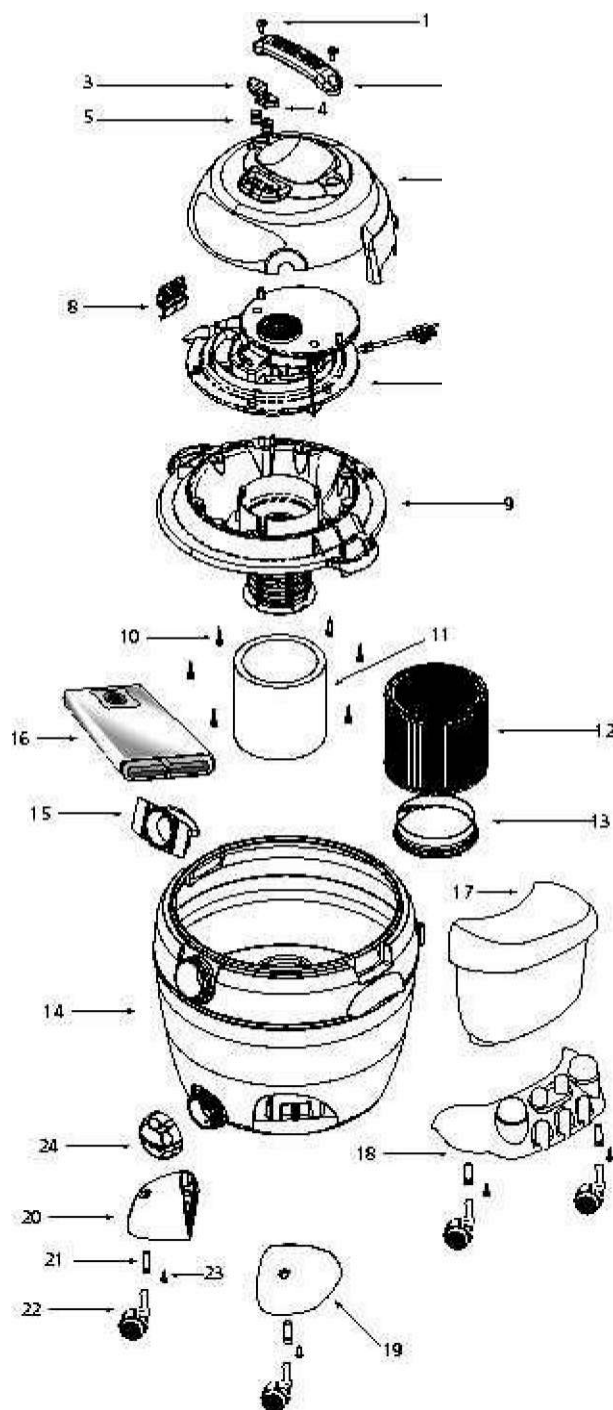
[Find Your Shop Vac Vacuum Cleaner Parts - Select From 487 Models](#)

----- Manual continues below -----

shop-vac®

Catalog 9621000 (10 Gal.)

Model - QUM400



ITEM	DESCRIPTION	PART NO.
1	Screw 1/4x 3/4 Trilobs 725 HD	1515999
2	Handle	7444400
3	Switch Sutton - On	7414200
4	Switch Button - Off	7414210
5	Spring	2802899
6	IVlotor Cover Assembly	1944051
7	Power Unit Assembly	7260797
8	Lid Latch	7444500
9	Lid Cage and Latch Assembly	7443660
10	Screw 10x3/4Triiotae T25 Head	1516099
11	Foam Sleeve	9058562
12	Cartridge Filter	9030462.
13	Filter Retainer	3008000
14	Tank Assembly	7360297
15	Inlet Deflector	7413100
16	Collection Bag	9066262
17	Accessory Basket	906/1800
18	Rear Caster Dolly	7431130
19	Casterfoot A	S567000
20	Casterfoot B	8567010
21	Retainer	8565500
22	Caster	6774200
23	Screw 10 x 3/4 SL Hex Head	1503999
24	Drain Cover	7413620

STANDARD ACCESSORIES

- 8' x 2-1/2" hose
- 2 - 2-1/2" extension wands
- 14" floor nozzle w/brush
- 14" squeegee insert
- Concentrator nozzle

- 2-1/2" crevice tool
- 8" utility nozzle
- hose holder
- elbow grip

FOUR-YEAR HOME USE WARRANTY

Your Shop-Vac® vacuum cleaner is warranted in normal household use, in accordance with the User Manual, against original defects in material and workmanship for a period of four years from date of purchase. Should this product be used for commercial or rental use, a 90 day limited warranty will apply. Shop-Vac Corporation warrants placing this vacuum cleaner in correct operating condition, by repair or parts replacement, during the warranty period, without charge. This warranty does not cover accessories. Use of non-recommended filters and/or accessories may void the manufacturer's warranty.

SC87524-90