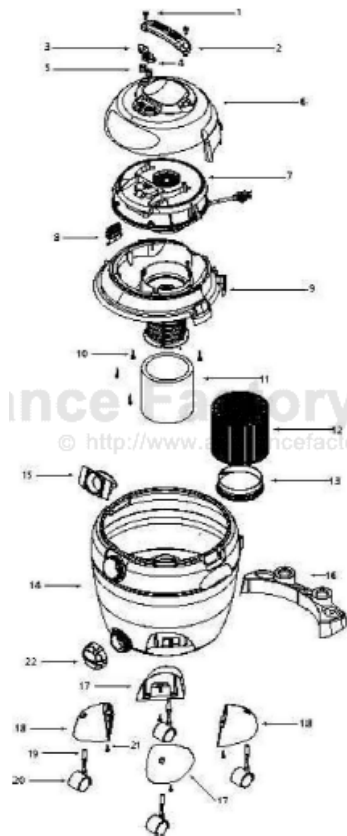


This Owner's Manual is provided and hosted by [Appliance Factory Parts](http://www.ApplianceFactoryParts.com).



Shop Vac QUM500 Owner's Manual

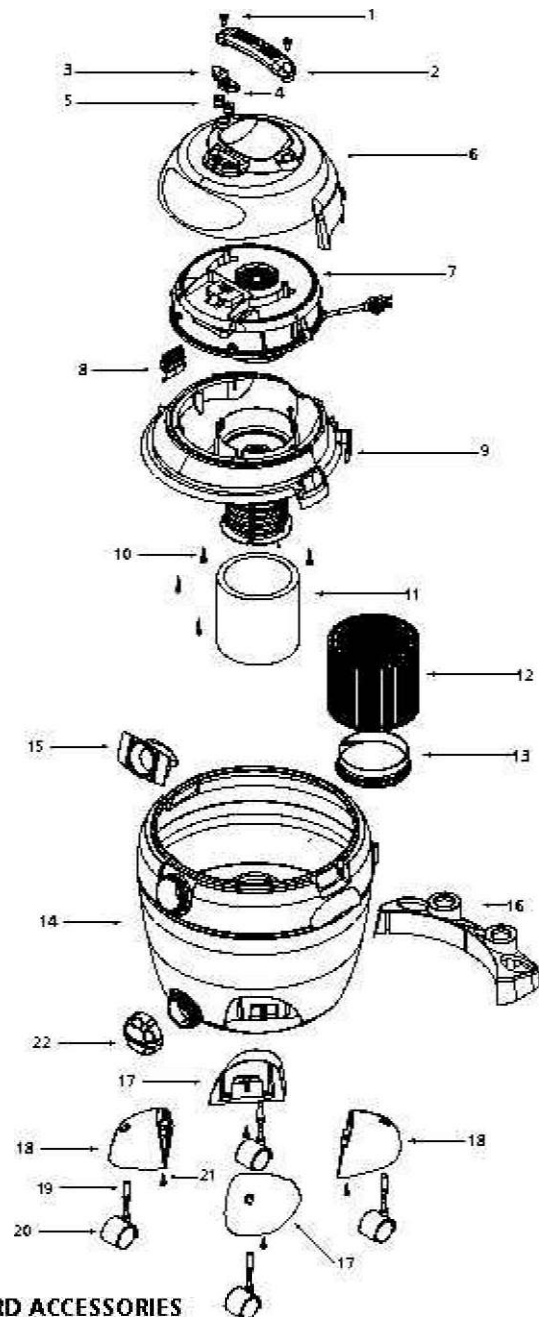
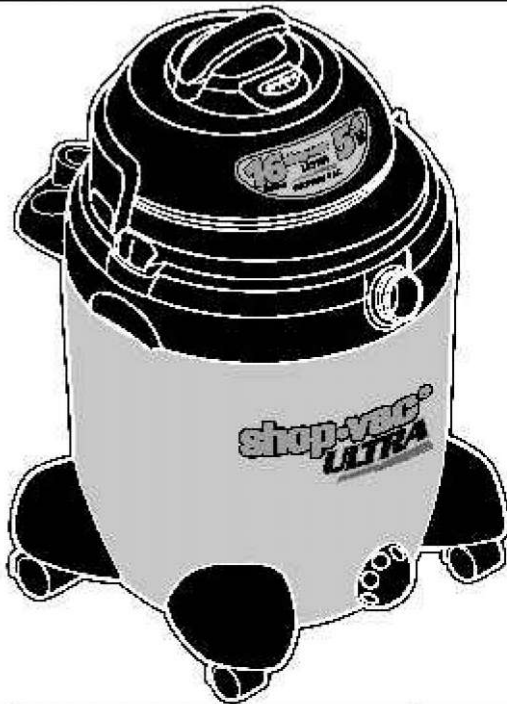
[Shop genuine replacement parts for Shop Vac QUM500](#)



[Find Your Shop Vac Vacuum Cleaner Parts - Select From 487 Models](#)

----- Manual continues below -----

Model - QUM550



ITEM	DESCRIPTION	PART NO.
1	Screw 1/4x3/4 Triloba T30 HD	1515999
2	Handle	7444400
3	Switch Sutton - On	7414200
4	Switch Sutton - Off	7414210
5	Spring	2802S99
e	Motor Covsr Assembly	1944064
7	Power Unit Assembly	72.61097
s	Lid Latch	7444500
9	Lid Cage and Latch Assembly	7443660
10	Screw 10 x 3/4 Trilobe T25 Head	1516099
11	Foam Sleeve	905S562
12	Cartridge Filter	9030462
13	Filter Retainer	300SC00
ld	Tank Assembly	7363597
15	Inlet Deflector	7413100
16	Tool Holder	9012S00
17	Casterfoot A	8567000
IS	Castarfoot S	3567010
19	Retainer	S565500
20	Caster	6774200
21	Screw 10 x 3/4 SL Hex HD	1503999
22	Drain Cover	7413620

STANDARD ACCESSORIES

- 7' x 1-1/4" Hose
- 2 - 1-1/4" Extension wands
- 10" Combination Nozzle
- 10" Squeegee Insert

THREE-YEAR HOME USE WARRANTY

Your Shop-Vac® vacuum cleaner is warranted in normal household use, in accordance with the User Manual, against original defects in material and workmanship for a period of three years from date of purchase. Should this product be used for commercial or rental use, a 90 day limited warranty will apply. Shop-Vac Corporation warrants placing this vacuum cleaner in correct operating condition, by repair or parts replacement, during the warranty period, without charge. This warranty does not cover accessories. Use of non-recommended filters and/or accessories may void the manufacturer's warranty.