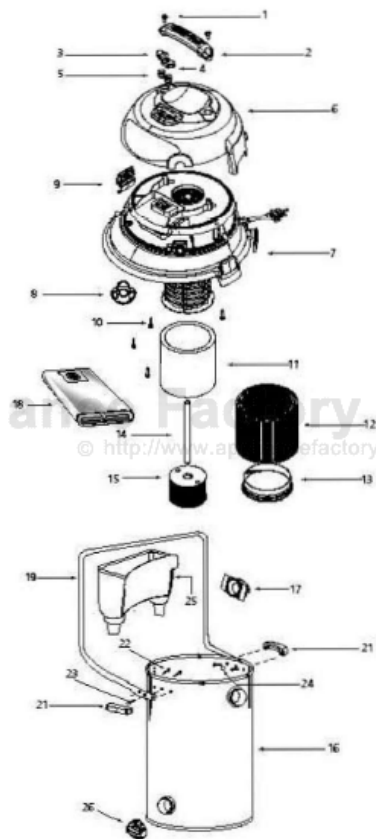


This Owner's Manual is provided and hosted by [Appliance Factory Parts](#).



# Shop Vac QUMP650 Owner's Manual

[Shop genuine replacement parts for Shop Vac  
QUMP650](#)

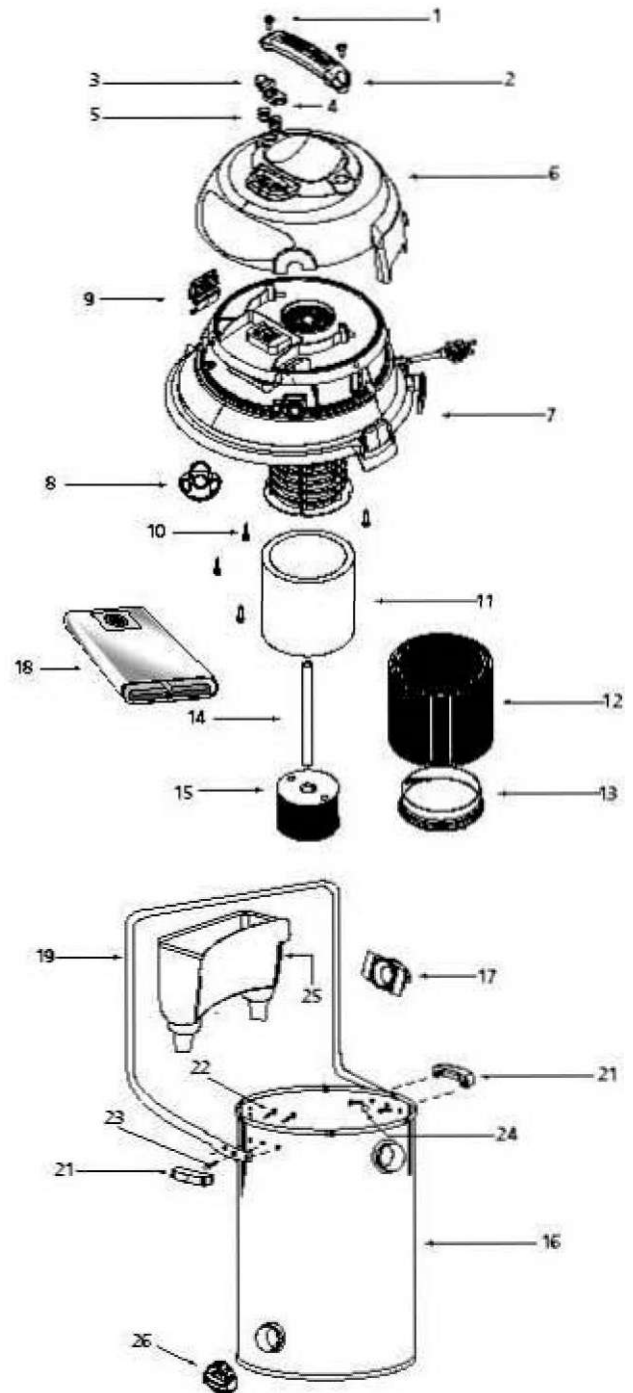


[Find Your Shop Vac Vacuum Cleaner Parts - Select From 487 Models](#)

----- Manual continues below -----

# Model QUMP650

Catalog 9609910  
(10 Gal)S/S



ITEM	DESCRIPTION	PART NO.
1	Screw Wx 3/4 Triloba 130 HD	1515999
2	Handle	7444400
3	Switch Button • On	7414200
4	Switch Button - Off	7414210
5	Spring	2802399
6	Motor Cover Assembly	1944073
7	Power Unit Assembly	7261897
8	Outlet Fitting Cap	7414022
9	Lid Latch	7444500
10	Screw 10x3/4 Trilobe T25 Head	1516099
11	Foam Sleeve	9058562
12	Cartridge Filter	9030462
13	Filter Retainer	3008000
14	Pickup Tube	2723107
15	Pickup Cage Assembly	7412250
16	Tank Assembly	1022097
17	Inlet Deflector	7413100
18	Collection Bag	9066262
19	Carnage Handle	2088200
20	Handle & Hardware Package*	9355596
21	Side Tank Handle	9355100
22	3mm Screw Head	1503999
23	20x 1mm Bolt	6401299
24	1" - 20 Hex Head	1300199
25	Accessory Basket	9194900
26	Drain Cover	7413620

\* Includes 21-24

## STANDARD ACCESSORIES

- 8' x 1-1/4" Hose w/locking swivel end
- (2) 1-1/4" Extension wands
- 10" Combination nozzle
- 10" Squeegee Insert
- 6' x 2-1/2" Hose w/locking swivel end
- (2) 2-1/2" Extension wands
- 14" Floor nozzle
- 14" Squeegee insert
- 8" Utility nozzle
- 2-1/2" Crevice tool
- Hose holder
- Elbow grip

## LIMITED ONE YEAR WARRANTY

Shop-Vac Corporation warrants all Industrial, Commercial, and Contractor vacuum cleaners for one year from date of purchase to correct by repair or parts replacement without charge any product defect due to faulty material or workmanship, provided that the vacuum cleaner is not used for rental service.

SC87526-10