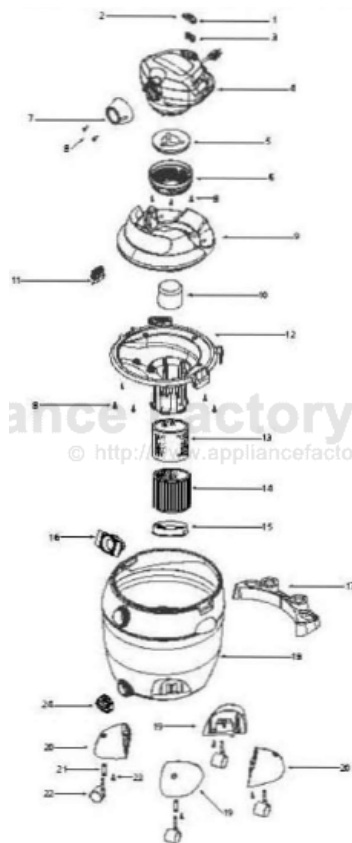


This Owner's Manual is provided and hosted by [Appliance Factory Parts](#).



Shop Vac UMB350 Owner's Manual

[Shop genuine replacement parts for Shop Vac UMB350](#)



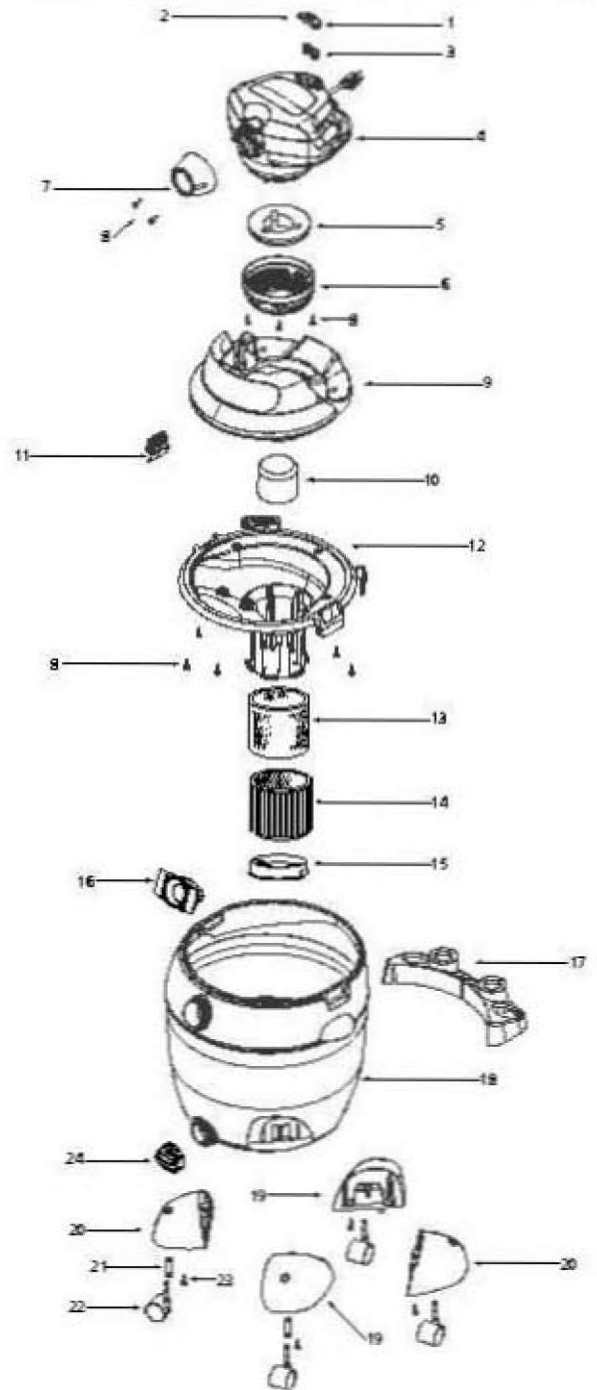
[Find Your Shop Vac Vacuum Cleaner Parts - Select From 487 Models](#)

----- Manual continues below -----

shop-vac®

Catalog 9631000
(10 Gal.)

Model - UMB350



| ITEM | DESCRIPTION | PART NO. |
|------|-------------------------------------|----------|
| 1 | Switch Button - On | 7414200 |
| 2 | Switch Button - Off | 7414210 |
| 3 | Springs | 2802899 |
| 4 | Power Unit (includes items 1-8) | 7263397 |
| 5 | Foam Pad | 8541205 |
| 6 | Inlet Shield | 7442301 |
| 7 | Ferrule | 7350400 |
| 8 | Screw 10 x 3/4 Trilobe T25 Head | 1516599 |
| 9 | Tank Cover | 7350500 |
| 10 | Float | 7411200 |
| 11 | Lid Latch | 7404500 |
| 12 | Lid Cage & Latch Assembly | 7350650 |
| 13 | Foam Sleeve | 9058562 |
| 14 | Cartridge Filter (Includes item 15) | 90304S2 |
| 15 | Filter Retainer | 3008000 |
| 16 | Inlet Deflector | 7413100 |
| 17 | Tool Holder | 9012300 |
| 18 | Tank Assembly | 1022997 |
| 19 | Casterfoot A | 8567000 |
| 20 | Casterfoot B | 8567010 |
| 21 | Retainer | 8565500 |
| 22 | Caster | 6774200 |
| 23 | Screw 10 x 3/4 SL Hex Head | 1503999 |
| 24 | Drain Cover | 7413623 |

STANDARD ACCESSORIES

- 7' x 1-1/4" hose
- 10" squeegee insert
- 2 - 1-1/4" extension wands
- 2-1/2" extension wand
- 10" combination nozzle
- 2-1/2" blower nozzle

THREE-YEAR HOME USE WARRANTY

Your Shop-Vac® vacuum cleaner is warranted in normal household use, in accordance with the User Manual, against original defects in material and workmanship for a period of three years from date of purchase. Shop-Vac Canada warrants placing this vacuum cleaner in correct operating condition, by repair or parts replacement, during the warranty period, without charge. This warranty does not cover accessories. Use of non-recommended filters and/or accessories may void the manufacturer's warranty.

SC87527-61