

This Owner's Manual is provided and hosted by [Appliance Factory Parts](#).



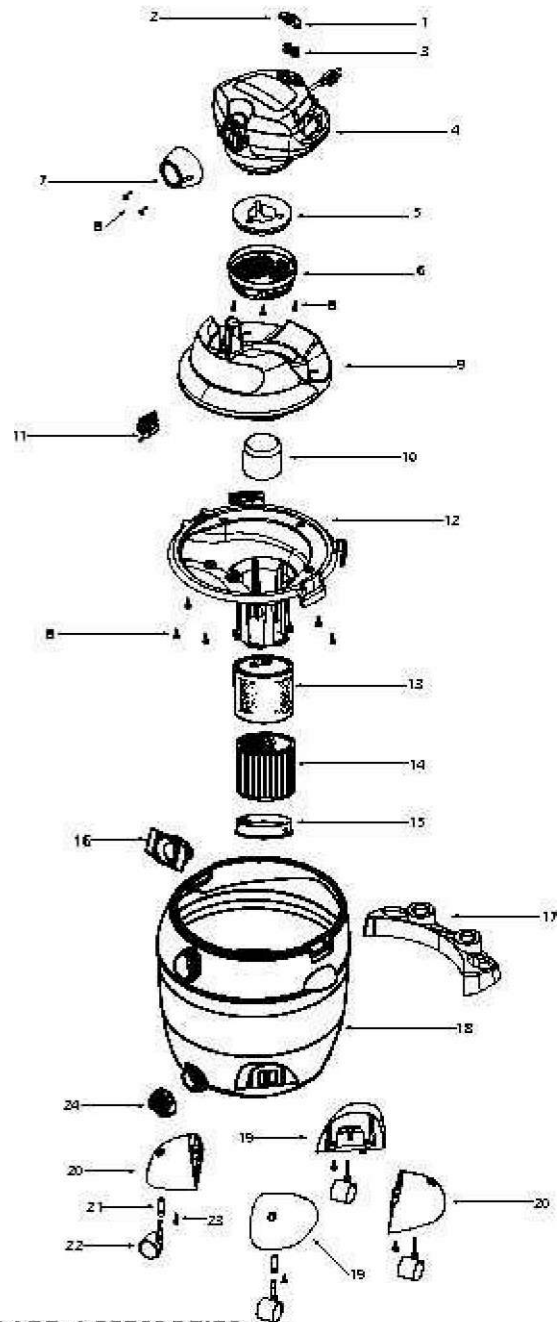
Shop Vac UMB450 Owner's Manual

[Shop genuine replacement parts for Shop Vac UMB450](#)



[Find Your Shop Vac Vacuum Cleaner Parts - Select From 487 Models](#)

----- Manual continues below -----

shop-vac®**Catalog 9631227
(12 Gal.)****Model - UMB450**

rrEM	DESCRIPTION	PART NO.
i	Switch Button - On	7414200
2	Switch Suttion - Off	7414210
3	Springs	2802899
4	Power Unit (includes items 1-8)	7263097
5	Foam Pad	8541205
6	inlet Shield	7442301
7	Ferrule	7350400
8	Screw 10 x 3/4 Triiobe T2S Head	1516099
9	Tank Cover	7350500
10	Float	7411200
11	Lid Latch	7444500
12	Lid Cage & Latch Assembly	7350610
1B	Foam Sleeve	9058562
14	Cartridge Filter (IncludesItem 1F)	9030462
1F	Filter Retainer	3008000
16	Inlet Deflector	7413100
17	Tool Holder	8411200
18	Tank Assembly	7360697
19	Casterfoot A	8567000
2b	Casterfoot S	8567010
21	Retainer	8565500
22	Caster	6774200
21	Screw 10x 3/4SL Hex Head	1503999
24	Drain Cover	7413623

STANDARD ACCESSORIES

- 7' x 1-1/4" hose
- 2 - 1-1/4" extension wands
- 10" combination nozzle
- 10" squeegee insert
- 2-1/2" extension wand
- 2-1/2" blower nozzle

THREE-YEAR HOME USE WARRANTY

Your Shop-Vac® vacuum cleaner is warranted in normal household use, in accordance with the User Manual, against original defects in material and workmanship for a period of three years from date of purchase. Should this product be used for commercial or rental use, a 90 day limited warranty will apply. Shop-Vac Corporation warrants placing this vacuum cleaner in correct operating condition, by repair or parts replacement, during the warranty period, without charge. This warranty does not cover accessories. Use of non-recommended filters and/or accessories may void the manufacturer's warranty.

SC87527-11