

This Owner's Manual is provided and hosted by [Appliance Factory Parts](#).



Shop Vac ULB550 Owner's Manual

[Shop genuine replacement parts for Shop Vac ULB550](#)



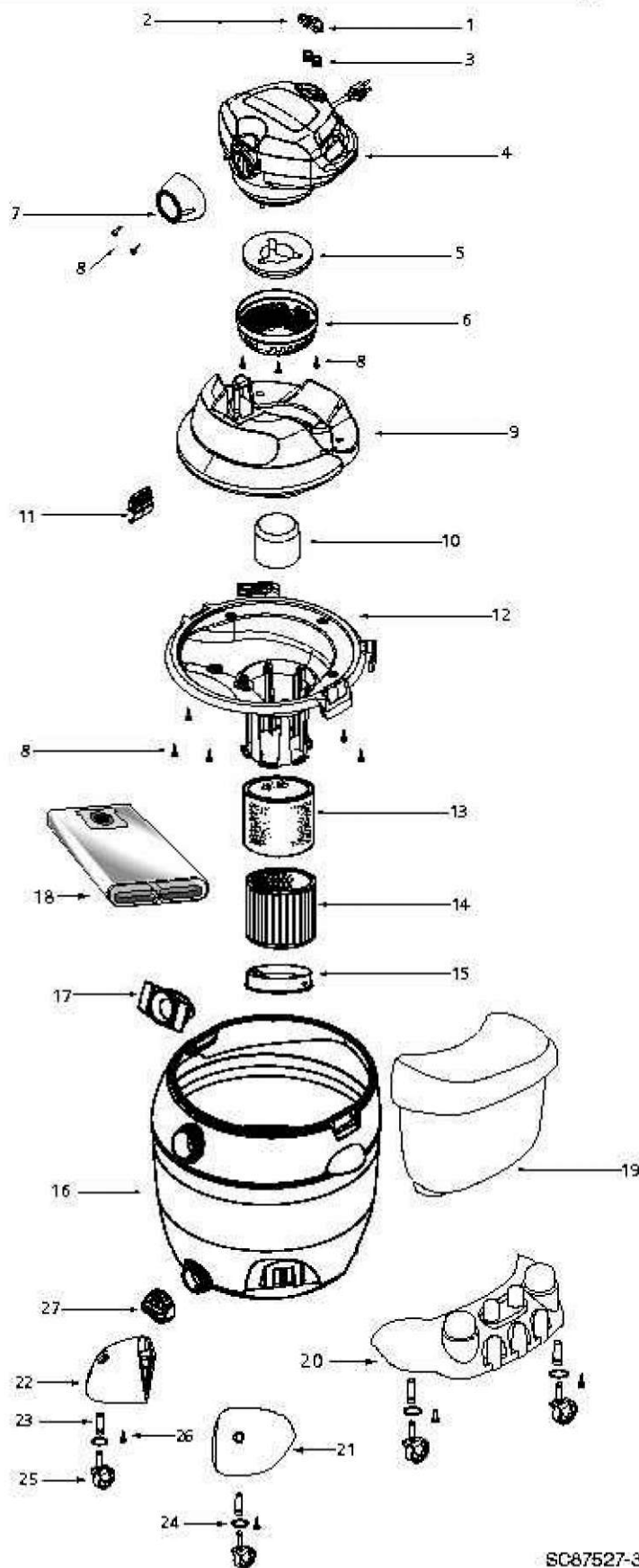
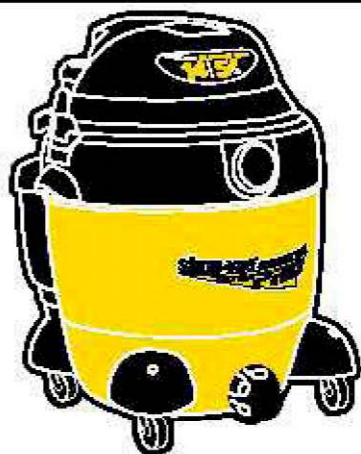
[Find Your Shop Vac Vacuum Cleaner Parts - Select From 487 Models](#)

----- Manual continues below -----

shop-vac®

Model - ULB550

Catalog 9631400
(14 Gal.)



ITEM	DESCRIPTION	PART NO.
1	Switch Button - On	7414200
2	Switch Button - Off	7414210
3	Spring	2502399
4	Power Unit (includes items 1-8)	7263197
5	Intake Screen	8541205
6	Inlet Shield	7442301
7	Ferrule	7350400
8	Screw 10 x 3/4 Trilobe T25 Head	1516099
9	Tank Cover	7350520
10	Float	7411200
11	Lid Latch	744-1601
12	Lid Cage & Latch Assembly	7350630
13	Foam Sleeve	9058562
14	Cartridge Filter (Includes item 15)	9030462
15	Filter Retainer	3005000
16	Tank Assembly	7362997
17	Inlet Deflector	7413100
18	Collection Bag	9066262
19	Accessory Basket	9064300
20	Rear Caster Dolly	7431235
21	Casterfoot A	7431300
22	Casterfoot B	7431310
23	Retainer	5565700
24	Flatwasher	0704399
25	Caster	6773900
26	Screw 10 x 3/4 SL Hex Head	1503999
27	Drain Cover	7413620

STANDARD ACCESSORIES

- 8' x 2-1/2" hose
- 2 - 2-1/2" extension wands
- 14" floor nozzle w/brush
- 14" squeegee insert

- Concentrator nozzle
- 2-1/2" crevice tool
- 8" utility nozzle
- hose holder
- elbow grip
- blower nozzle

FOUR-YEAR HOME USE WARRANTY

Your Shop-Vac® vacuum cleaner is warranted in normal household use, in accordance with the User Manual, against original defects in material and workmanship for a period of four years from date of purchase. Should this product be used for commercial or rental use, a 90 day limited warranty will apply. Shop-Vac Corporation warrants placing this vacuum cleaner in correct operating condition, by repair or parts replacement, during the warranty period, without charge. This warranty does not cover accessories. Use of non-recommended filters and/or accessories may void the manufacturer's warranty.