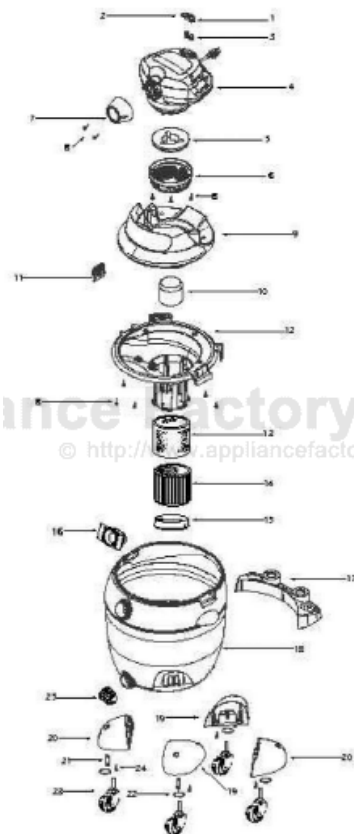


This Owner's Manual is provided and hosted by [Appliance Factory Parts](http://www.appliancefactoryparts.com).



Shop Vac ULB650 Owner's Manual

[Shop genuine replacement parts for Shop Vac ULB650](#)

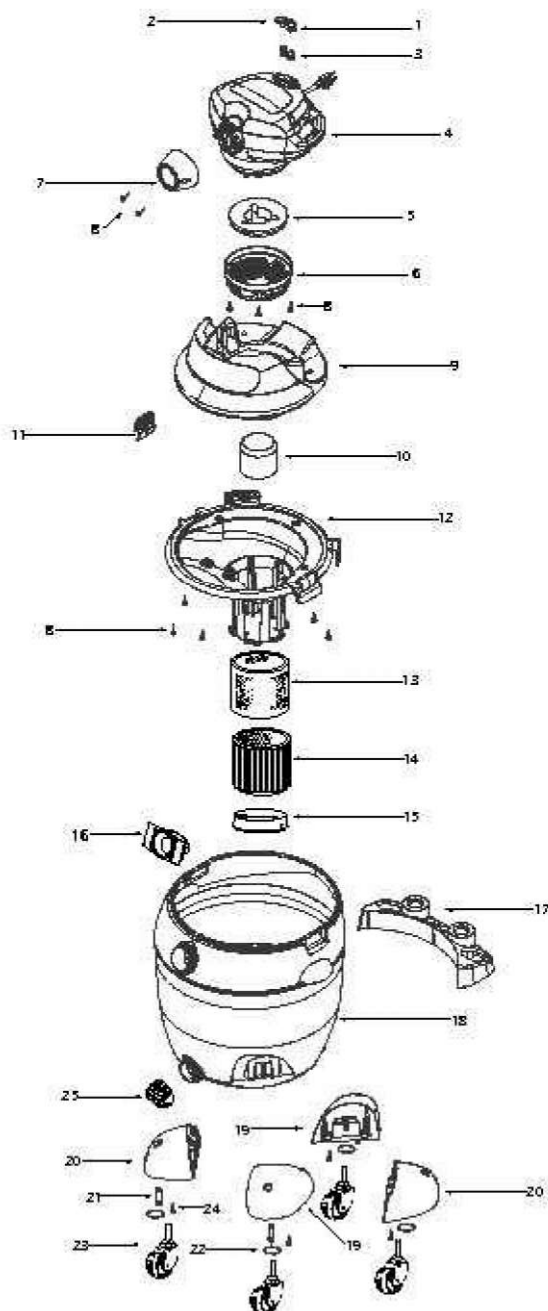


[Find Your Shop Vac Vacuum Cleaner Parts - Select From 487 Models](#)

----- Manual continues below -----

shop-vac®**Catalog 9631600
(16 Gal.)**

Model - ULB650



ITEM	DESCRIPTION	PART NO.
1	Switch Button - On	7414200
2	Switch Button - Off	7414210
3	Springs	2802399
4	Power Unit (includes items 1-8)	7263497
5	Foam Pad	8541205
6	Inlet Shield	7442301
7	Ferrule	7350400
8	Screw 10 x 3/4 Trilobe T25 Head	1516099
9	Tank Cover	7350520
10	Float	7411200
11	Lid Latch	7444500
12	Lid Cage & Latch Assembly	7350630
13	Foam Sleeve	9058562
14	Cartridge Filter (Includes Item 15)	9030462
15	Filter Retainer	3008000
16	Inlet Deflector	7413100
17	Tool Holder	9013100
18	Tank Assembly	7364597
19	Casterfoot A	7411300
20	Casterfoot B	7411310
21	Retainer	8565700
22	Flatwasher	0704399
23	Caster	6773900
24	Screw 10 x 3/4 SL Hex Head	1503999
25	Drain Cover	7413623

STANDARD ACCESSORIES

- 6' x 2-1/2" hose
- 2 - 2-1/2" extension wands
- 2-1/2" blower nozzle
- 8" utility nozzle

THREE-YEAR HOME USE WARRANTY

Your Shop-Vac® vacuum cleaner is warranted in normal household use, in accordance with the User Manual, against original defects in material and workmanship for a period of three years from date of purchase. Should this product be used for commercial or rental use, a 90 day limited warranty will apply. Shop-Vac Corporation warrants placing this vacuum cleaner in correct operating condition, by repair or parts replacement, during the warranty period, without charge. This warranty does not cover accessories. Use of non-recommended filters and/or accessories may void the manufacturer's warranty.