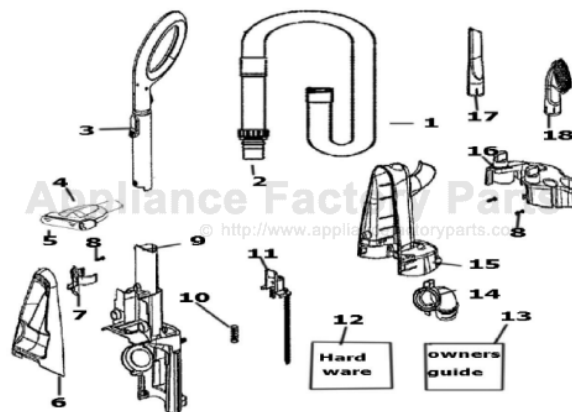


This Owner's Manual is provided and hosted by [Appliance Factory Parts](http://www.appliancefactoryparts.com).



Electrolux 4238AZ Owner's Manual

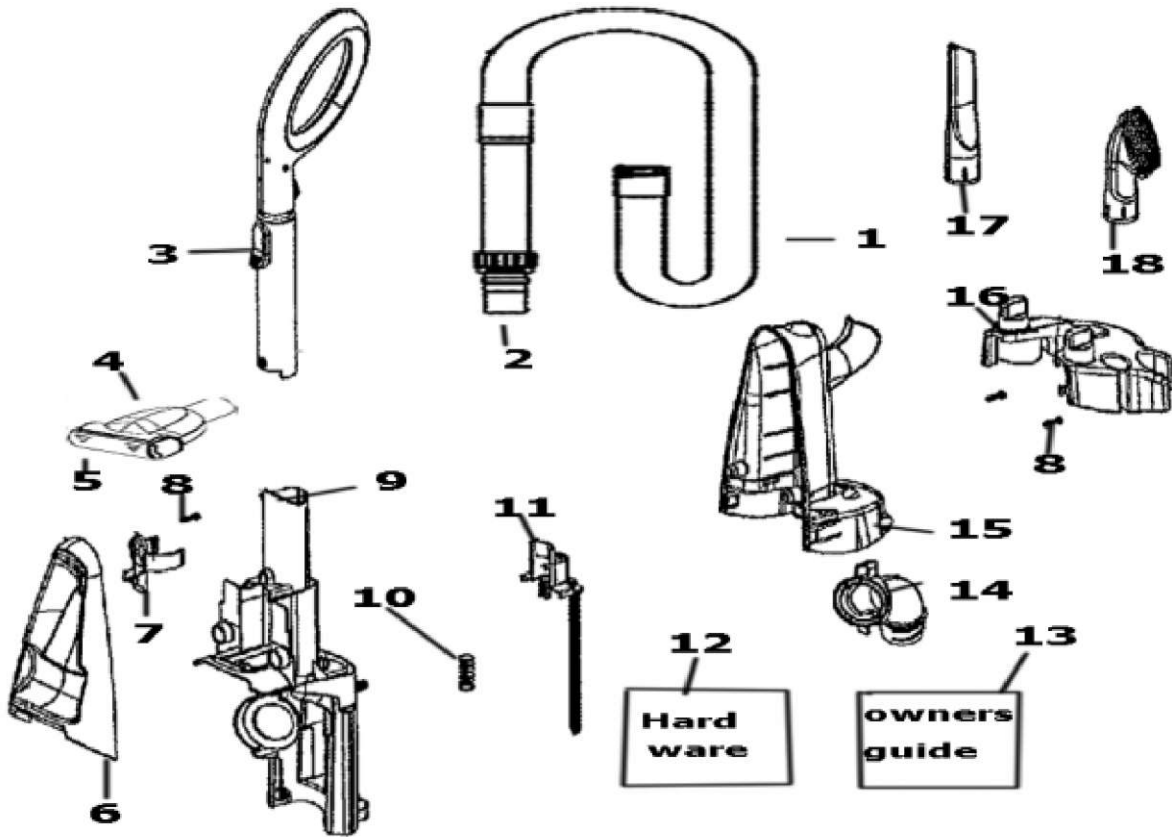
[Shop genuine replacement parts for Electrolux 4238AZ](#)



[Find Your Electrolux Vacuum Cleaner Parts - Select From 68 Models](#)

----- Manual continues below -----

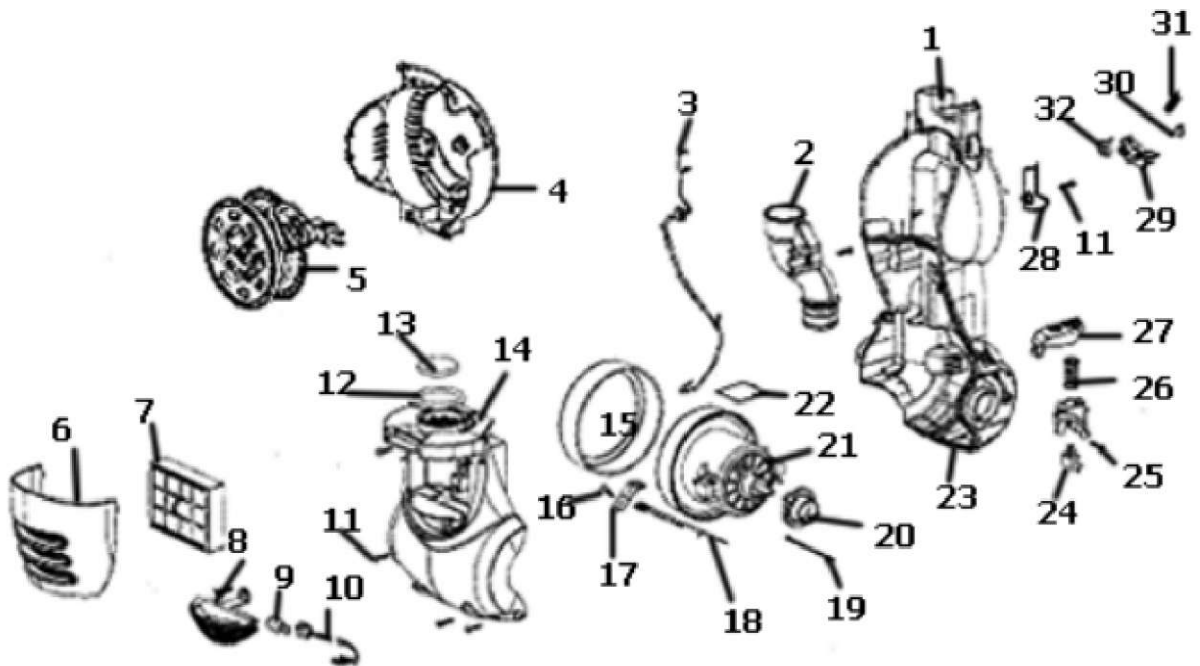
Handle & Accessories - 4238AZ



Handle & Accessories - 4238AZ

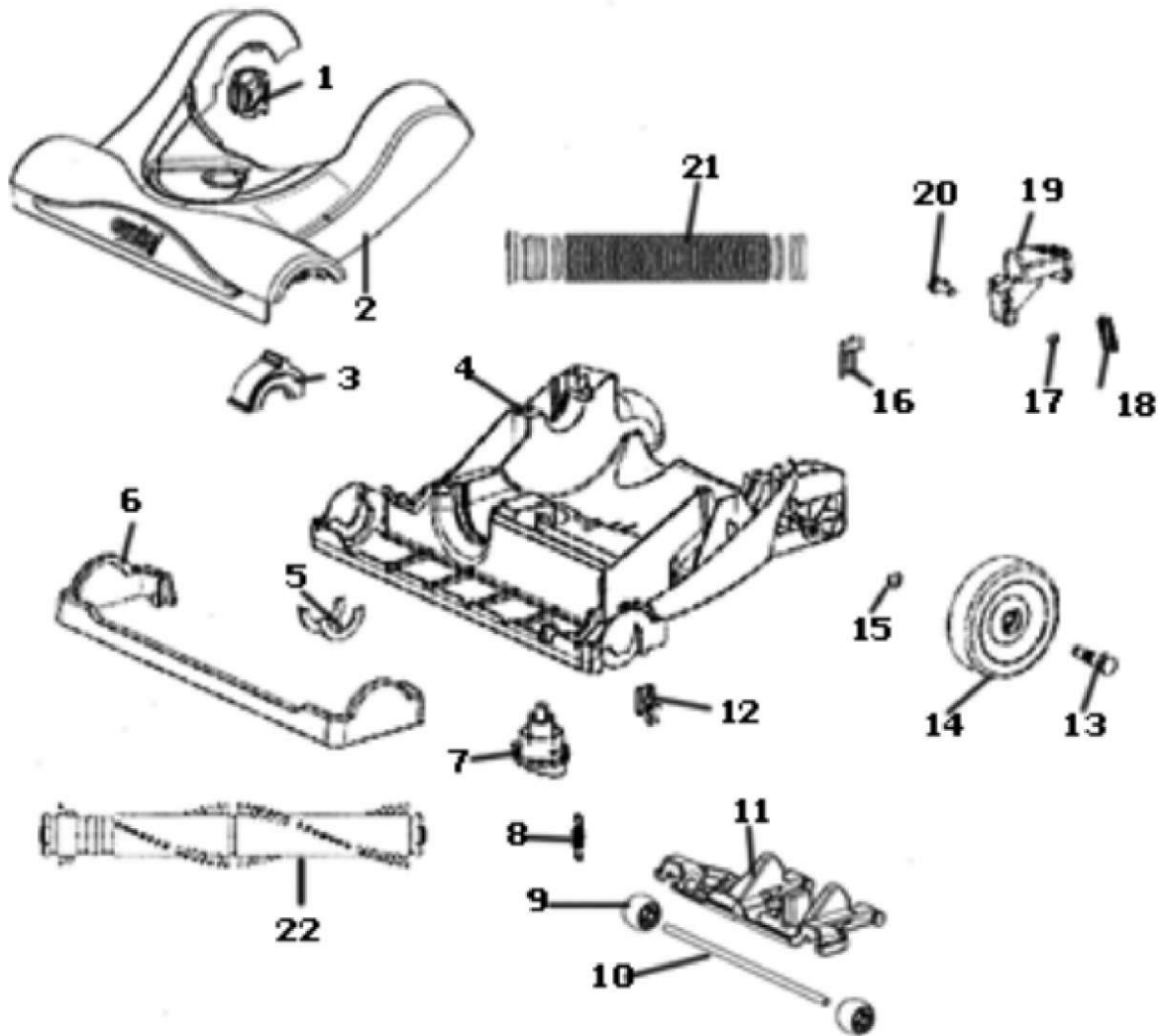
Ref #	Part	Description	Comments	Qty
1	16074-5	HOSE ASSEMBLY - CARTONED		
2	81218-5	TELESCOPIC WAND ASSEMBLY		
3	81214-4	HANDLE AND TUBE ASSEMBLY		
4	81295-1	TURBO NOZZLE ASSEMBLY		
5	75914	BELT - TURBO		
6	80709-119N	COVER - TURBO NOZZLE		
7	80914-453N	CLIP - TURBO		
8	53238-27	SCREW PACKAGE		
9	81642-1	UPPER REAR HOUSING & GRAP		
10	54943-3	SPRING PACKAGE		
11	80634-333N	ROD - CORD REWIND		
12	81897A	PACKAGE - HARDWARE		
13	83334	OWNERS GUIDE		
14	81060	HOSE ADAPTOR ASSEMBLY		
15	80913-119N	COVER - REAR HANDLE		
16	80693-1	TOOL CADDY & GRAPHICS ASS		
17	80707-453N	CREVICE TOOL		
18	39379-2	COMBINATION BRUSH - BRIST		

Main Body - 4238AZ



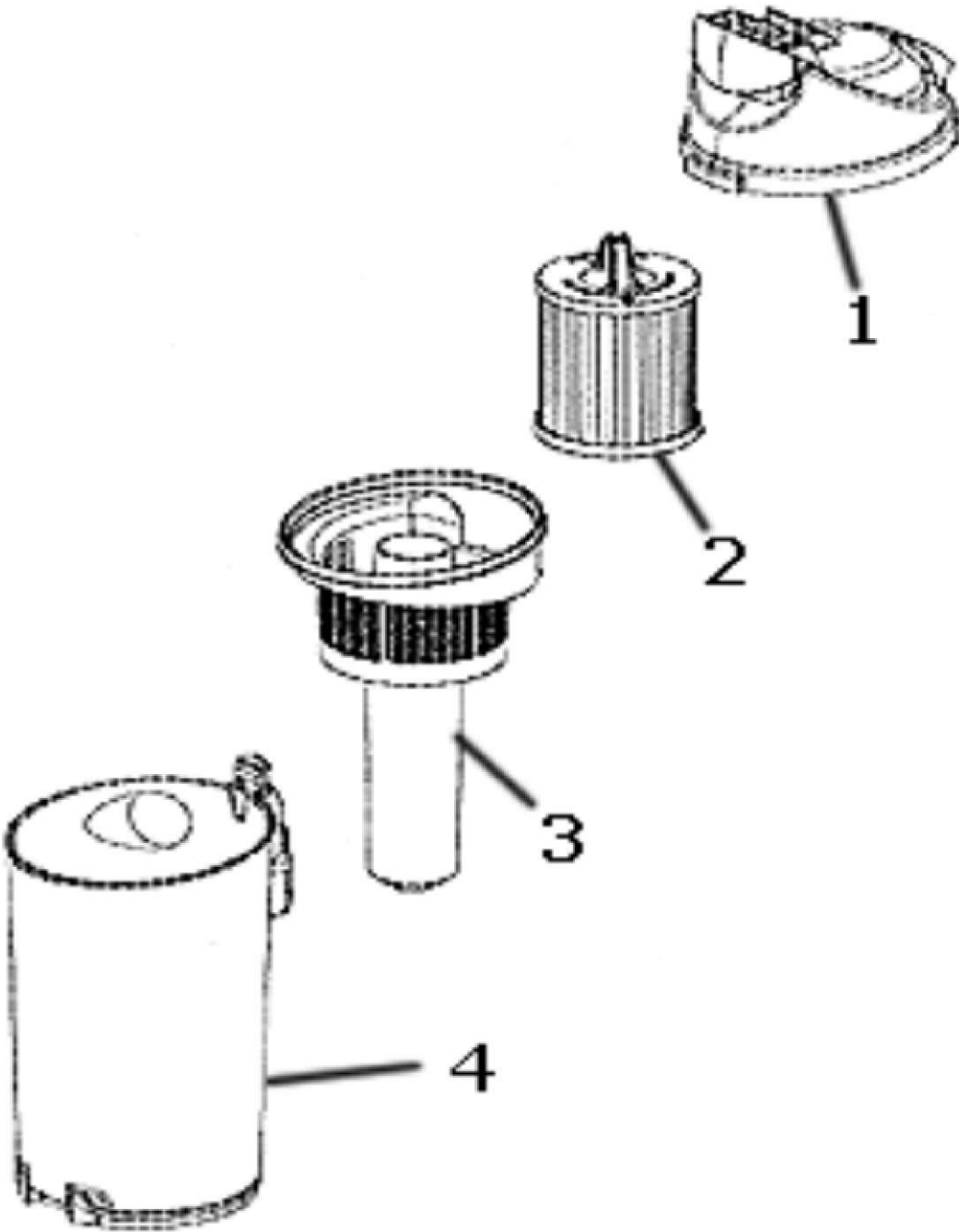
Ref #	Part	Description	Comments	Qty
1	81312-6	REAR HOUSING & GRAPHICS A		
2	81062-2	HOSE COUPLING ASSEMBLY		
3	81261A	JUMPER - WIRE ASSEMBLY		
4A	80622A-119N	COVER - CORD REEL		
4B	80628A-119N	HOSE HOOK		
5	80613-4	CORD REEL ASSEMBLY		
6	81249-4	DOOR - EXHAUST FILTER ASS		
7	81250-3	FILTER ASSY-EUREKA HF-11		
8	80627-313N	LENS		
9	57940-3	LAMP - HEADLIGHT		
10	38828B-7	HEADLIGHT ASSEMBLY		
11	53238-27	SCREW PACKAGE		
12	81482	GASKET		
13	80618	FOAM -PREMOTOR		
14	80629-119N	MOTOR COVER		
15	72476-141 N	GASKET - MOTOR CAN		
16	61803-3	SCREW PACKAGE		
17	72443	THERMOSTAT CLIP		
18	74719-1	THERMOSTAT & TERMINAL ASS		
19	46713-6	TIE - CABLE (PURCHASED)		
20	72650-316N	BUSHING - MOTOR		
21	62075-1	MOTOR ASSEMBLY - CTND		
22	73526-1	SHIELD - MOTOR		
23	72522-4	GASKET - MOTOR COVER		
24	81142	SWITCH		
25	80621-603N	BRACKET - POWER SWITCH		
26	54943-4	SPRING PACKAGE		
27	80630-355N	PEDAL - POWER SWITCH		
28	80633-453N	COVER - SUPPLY CORD		
29	80614-316N	LEVER - CORD RELEASE		
30	60160	SCREW PACKAGE 10		
31	54943-5	SPRING PACKAGE		
32	80915	TIGHTENING WHEEL ASSY		

Base & Hood - 4238AZ



Ref #	Part	Description	Comments	Qty
1	80682-333N	LEVER - HEIGHT ADJUSTMENT		
2	16073-8	HOOD ASSEMBLY - PACKAGED		
3	81248	BELT CAP ASSEMBLY		
4	80664B-119N	BASE		
5	73114	FELT - BASE		
6	80669-119N	FURNITURE GUARD		
7	80681A-333N	ACTUATOR - HEIGHT		
8	54943	SPRING PACKAGE		
9	81313A-355N	WHEEL - FRONT		
10	80704-1	AXLE - WHEEL CARRIAGE		
11	80683-119N	WHEEL CARRIAGE		
12	81258-2	BRISTLE INSERT ASSEMBLY		
13	78539	AXLE - REAR WHEEL		
14	80797-2	REAR WHEEL ASSEMBLY		
15	54432-2	PACKAGE - RETAINING RING		
16	38063	GUARD - BELT		
17	54432-6	PACKAGE - RETAINING RING		
18	54943-2	SPRING PACKAGE		
19	81011-355N	HANDLE - RELEASE PEDAL		
20	78138	PIVOT - HANDLE RELEASE		
21	81247-2	BASE HOSE ADAPTOR ASSY		
22	63391-1	DISTURBULATOR ASSEMBLY -		
	61120C	BELT PKG ASSY-STYLE U EXT		

Dust Cup Assembly - 4238AZ



Ref #	Part	Description	Comments	Qty
1A	81263-4	DUSTCUP COVER ASSEMBLY		
1B	82598-333N	FILTER SHROUD		
2	68931	FILTER PKG - EUREKA DCF21		
3	83845-2	FILTER BASKET & INNER TUB		
4	81264-4	DUSTCUP & DOOR ASSEMBLY		