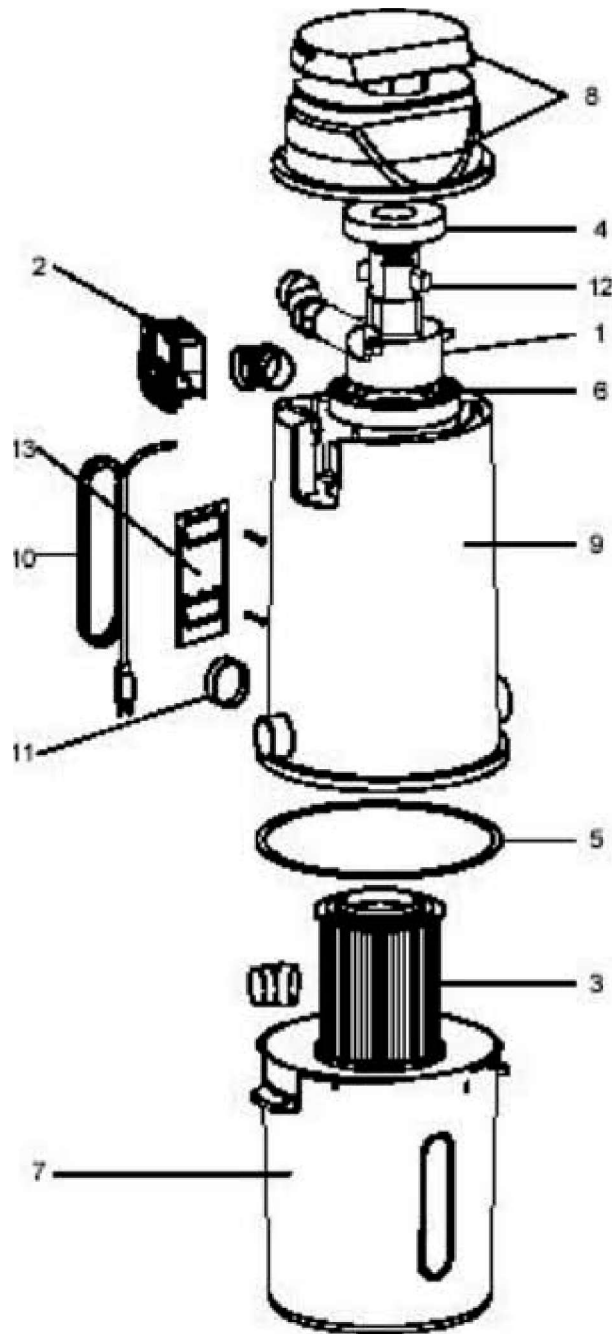


CV3291 - 008260

CV3291

008260



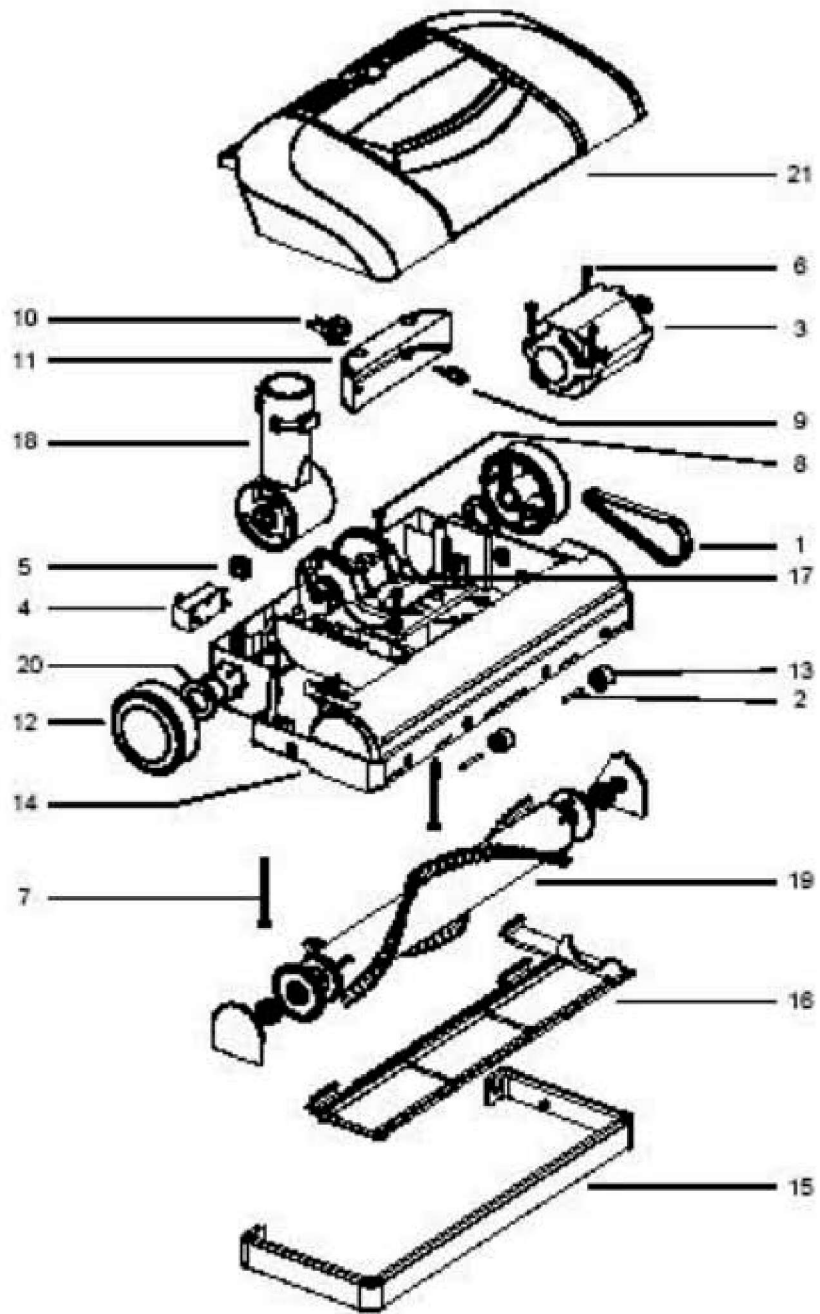
CV3291 - 008260

Ref #	Part	Description	Comments	Qty
	E-140407	5.7" 2 Stage 120V 520 Air Watts (Electro 6600-7)		
	E-100573	CONTROL MODULE 120V		
	E-110354	FILTER CARTRIDGE		
	E-145138	TOP MOTOR SEAL-NEW		
	E-195-010	BODY GASKET		
	E-145129	MOTOR GASKET 5.7"		
	E-120-335	CLEAR CYCLONIC BUCKET		
	E-126072	HOOD ASSY.		
	E-126542	BODY		
	E-100346	POWER CORD ASSY (new)		
	E-155-326	CAP		
	E-135046	SET OF 2 MOTOR BRUSHES		
	E-145330	BRKT: UNIT MTG PPC (145-330)		
	E-160-340	HOOD SCREWS 4/PCS		

EXL1250 -204022

EXL 1250

204022



EXL1250 -204022

Ref #	Part	Description	Comments	Qty
	E-155554	BELT - COGGED		
	E-155604	SHAFT: ROLR WHL		
	E-155209	MOTOR (UQ251200-81R10)		
	E-100424	CIRCUIT BREAKER		
	E-155318	CORD STRAIN RELIEF (53190-1)		
	E-160341	MOTOR ASSY SCREW		
	E-160342	HOOD ASSY SCREW		
	E-160343	SOCKET COVER SCREW		
	E-155211	HALOGEN LAMP (20 watt)		
	E-155212	LAMP HOLDER		
	E-155213	DEFLECTOR		
	E-155214	REAR WHEEL ASSY.		
	E-155215	ROLLER WHEEL		
	E-155216	BASE		
	E-155217	BUMPER		
	E-155218	BRUSHROLLCOVER		
	E-155219	COVER SOCKET		
	E-155220	NECK GREY		
	E-155222A	BRUSH ROLL(ADVOCATE)		
	E-155621	FELT WASHER PREM/IMP		
	E-155223	Hood.		
	E-155224	WIRE:BLK W/TERMINALS	NOT ILLUSTRATED	
	E-155221	SOCKET:EZ CHANGE GRAY	NOT ILLUSTRATED	
	E-155210	POWERHEAD CORD	NOT LISTED	