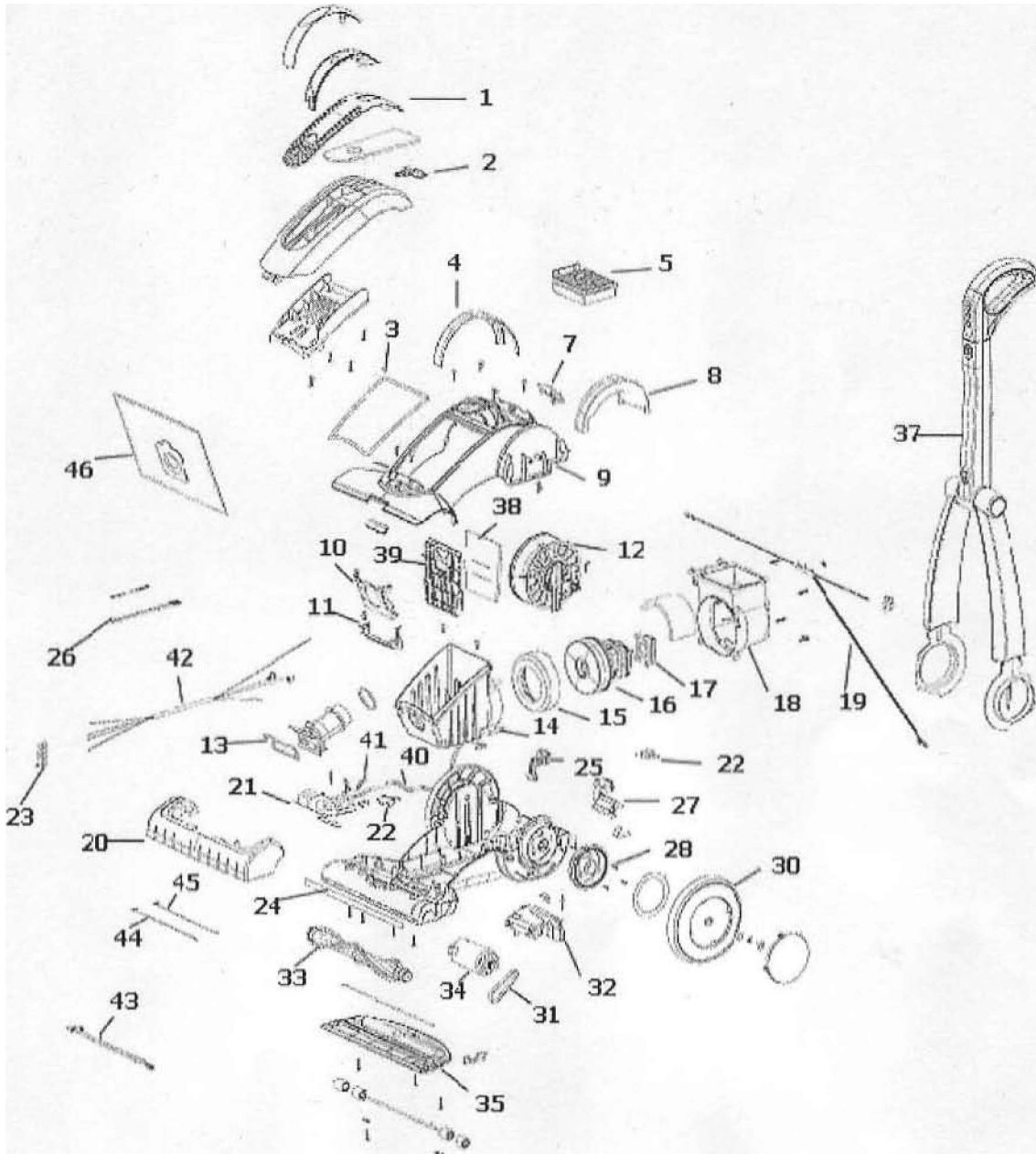


Cleaner - EL5020A/AZ/AZX



Cleaner - EL5020A/AZ/AZX

Ref #	Part	Description	Comments	Qty
1	63307	HANDLE GRIP ASSEMBLY - CR		
2	63309	LATCH ASSEMBLY - CARTONED		
3	77974	GASKET - BAG CHAMBER		
4	63311	RIGHT FENDER COVER - CART		
5	76415	HEPA FILTER ASSEMBLY	EL016	
6	63310	SCREW PACKAGE		
7	77390	REAR PANEL & NAMEPLATE AS		
8	63312	LEFT FENDER COVER - CARTO		
9	63313	UPPER HOUSING - PACKAGE		
10	76380-333N	ADAPTER - BAG IN PLACE		
11	76381-366N	BRACKET - BAG IN PLACE		
12	63315	CORD REEL ASSEMBLY - CART		
13	63314	BASE ADPTR & NOZZLE ASSY-		
14	76379-366N	CHAMBER - BAG		
15	76376-316N	GASKET - MOTOR CAN		
16	63182	MOTOR ASSEMBLY - CARTONED		
17	74885-316N	MOUNT - MOTOR		
18	63316	MOTOR SHROUD ASSEMBLY - C		
19	63330	REAR DISPLAY BOARD - CART		
20	63327	FURNITURE GUARD - PACKAGE		
21	63331	MAIN CONTROL BOARD - CART		
22	28019A-8	SWITCH - MICRO		
23	60192-1	WIRE SPLICE 5		
24	63319	BASE ASSEMBLY - CARTONED		
25	77394B	CORD REEL PEDAL & GRPHCS		
26	59213-9	THERMOSTAT 110 DEG (120V)		
27	63329	HANDLE REL/SPRING ASSY -		
28	76461-316N	RETAINER - ROTARY BRACKET		
29	53238-4	SCREW PACKAGE		
30	63321	WHEEL ASSEMBLY - CARTONED		
31	76392-1	BELT-COGGED	EL096	
32	63308	BRUSHROLL MOTOR COVER-CAR		
33	63322	BRUSHROLL ASSEMBLY - CART		
34	63323	BRUSHROLL MOTOR ASSY - CR		
35	63325	SOLEPLATE ASSEMBLY - CART		
36	53238-44	SCREW PACKAGE		
37	63326	HANDLE ASSEMBLY - PACKAGE		
38	77932	FILTER - PRE-MOTOR		
39	76418-366N	FILTER FRAME		
40	75969-5	TUBE-SENSOR	Long Tube	
41	75969-6	TUBE - SENSOR	Short Tube	
42	77473A	JUMPER - MOTOR		
43	75755A	LEAD & TRMNL ASSY-MTR TO		
44	75757	LEAD & TERMINAL ASSY-CORD		
45	75757-1	LEAD & TERMINAL ASSY-CORD		
46	EL206	UPR DUST BAG PKG W/MTR FL		