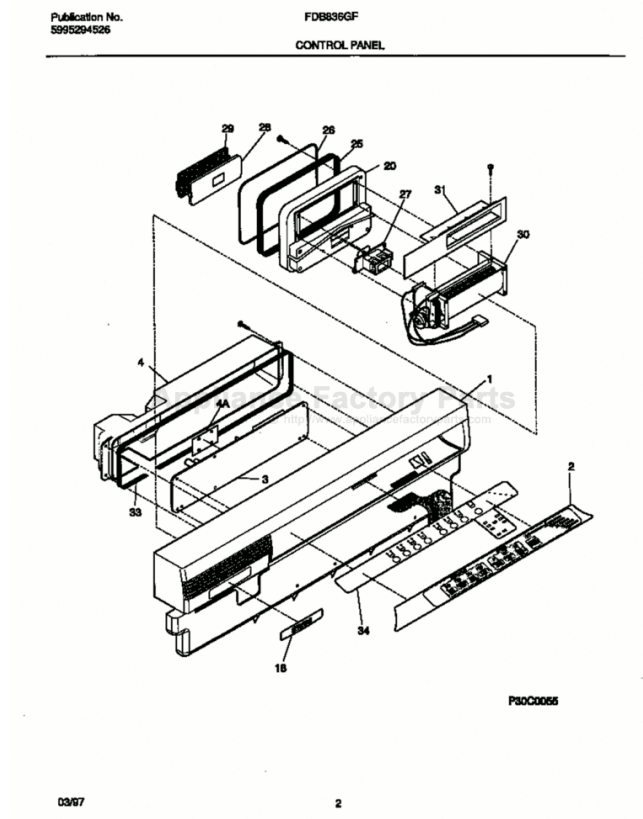


This Owner's Manual is provided and hosted by [Appliance Factory Parts](#).



Electrolux FDB836GFS2 Owner's Manual

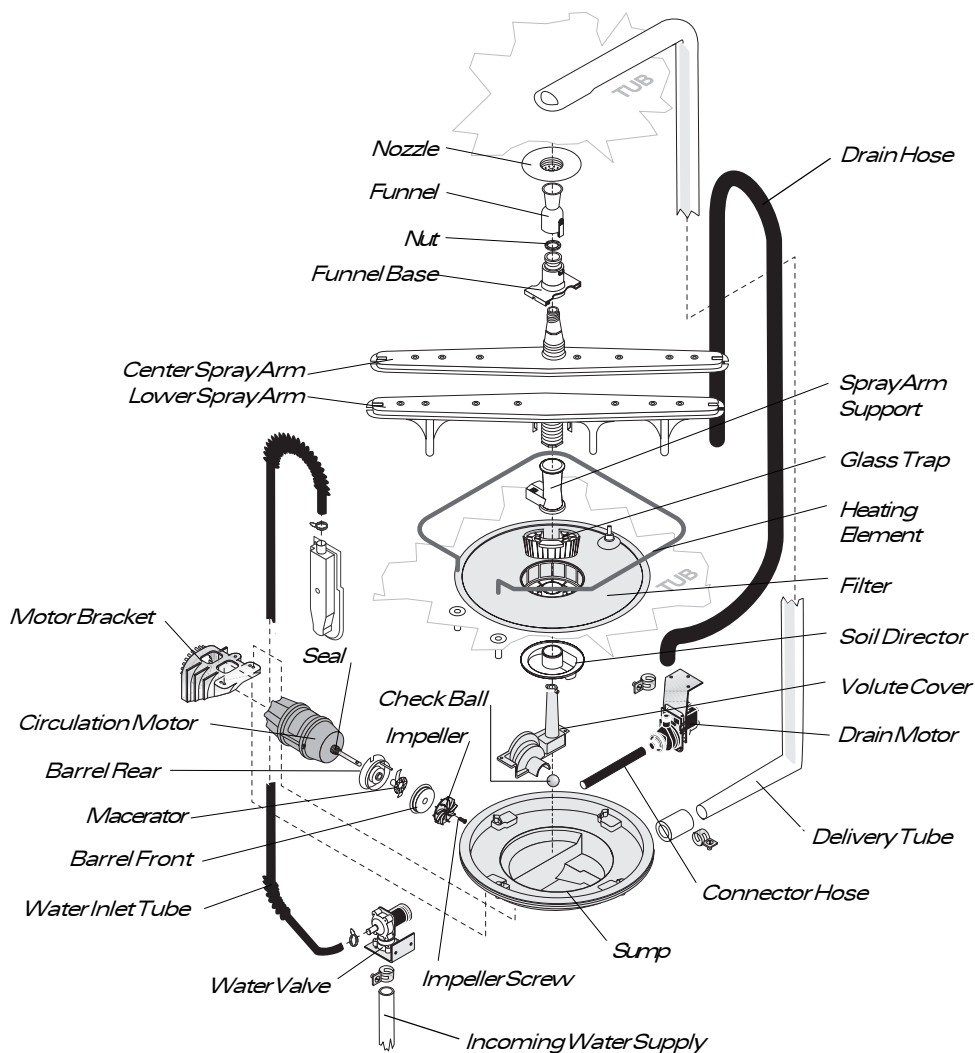
[Shop genuine replacement parts for Electrolux
FDB836GFS2](#)



[Find Your Electrolux Dishwasher Parts - Select From 406 Models](#)

----- Manual continues below -----

Exploded View of Wash System



Pump Assembly

The pump assembly is driven by a 1/12 HP, shaded pole motor. Rotation is in the counterclockwise direction at 3100 to 3200 RPM. The motor drives a pump which supplies 100 percent filtered water at a rate of approximately 12 GPM to one spray arm at a time. The spray arm operation is alternated by small "pauses" of the motor during the wash cycle.

Draining is accomplished by using a small separate synchronous drain pump mounted to the side of the sump. The drain pump is connected to the main pump by a small rubber hose. The drain check valve is located at the entrance to the drain pump. The drain hose is attached by a worm gear clamp to the discharge of the drain pump. The drain is then routed up the side of the dishwasher and attached to the side of the tub. This drain loop insures that an air pocket cannot form near the drain pump and cause the pump to

airlock. The drain loop on the side of the tub must be kept in place after servicing.

The main pump can easily be removed by disconnecting the upper spray arm supply tube, the drain pump connector hose, and the wiring harness connections made at the circulation motor and the water heat thermistor located on the bottom of the pump.

Once the pump assembly is removed from the dishwasher, the motor/impeller assembly can be removed from the sump by taking out the three (3) T-20 Torx head screws from the aluminum motor bracket and then the three (3) T-20 Torx head screws from the volute cover. Using a large flat head screwdriver inserted between the impellers screw and the sump's volute, the motor/impeller assembly can be gently pried out of the sump. Use the screwdriver as a lever.

900 Watt Heater

Refer to the cycle chart on the reverse side to determine when the heater is on during the wash cycle. The heater cycles ON and OFF for brief periods during the drying cycle.

Voltage checks of the heater should be made in the dry portion of the service test mode.

Standard Dry Air Flow

When the control advances to the "dry" portion of the cycle, a linear actuator retracts a valve, which opens a vent path through the console into the kitchen. This venting method eliminates discharging heated moisture into the moist compartment. The heated, moist air leaving the dishwasher through the console vent causes drier air to be drawn into the unit by way of intake vents located at the bottom of the door. The water on the dishes is evaporated into drier air and the venting process continues. The heating element is turned ON and OFF during the drying cycle.

Detergent and Rinse Aid Dispenser

The detergent and rinse aid dispenser is a one piece component consisting of a molded detergent cup and a built-in rinse aid dispenser.

The detergent cup has a spring loaded cover and the rinse aid dispenser has a removable cover.

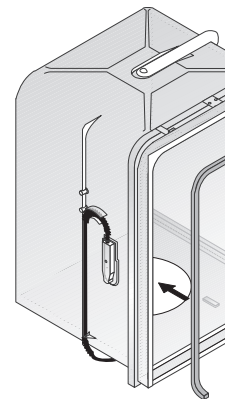
Liquid rinse aid is added to the dispenser up to the fill line indicator. The amount of rinse aid released can be adjusted by turning the arrow indicator from one, being the least amount, to four, being the greatest amount.

To replace dispenser:

- shut off electricity to dishwasher,
- remove outer door panel assembly,
- disconnect wiring to the actuator,

Tub and Door Seal

The door seal is pressed into the tub channel for an interference fit. Center the gasket (marked back) at the tub top center and press in place.



Product Specifications

Electrical

Rating	120 Volts, 60 Hz
Separate Circuit	15 amp min. - 20 amp max.
Motor (HP)	1/12
Motor (Amps)	1.5
Heater Wattage	900
Total Amps (load rated)	1.5
Temp Assure	140°F ± 5°F (60°C ± 3°C) [with outdoor in place]
Temp Boost	144°F ± 5°F (62°C ± 3°C) Heated Wash/Heated Rinse
Hi-Limit Thermostat	200°F (93°C)

SERVICE DATA SHEET

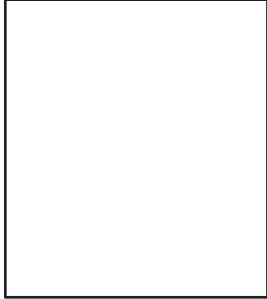
P/N: 154320701



Model:
FDB836

This information is intended for use by persons having electrical and mechanical training and a level of knowledge of these subjects generally considered acceptable in the appliance repair trade. Frigidaire Company cannot be responsible, nor assume any liability, for injury or damage of any kind arising from the use of this Service Data Sheet.

Color Code



Notes

- NOTE 1:** TempAssure operation is in progress. This is a fixed cycle event. Cycle timing is interrupted while the water is heated to a preset temperature. At either the preset temperature, or a default escape time, normal cycle timing resumes. The escape time is 15 minutes. The pump motor is generating lower and upper spray action during this interval. The sequence is: 3 second pause, 60 second wash, 0,6 second pause, 60 second wash. The termination of the TempAssure event is preset to occur on the upper spray arm action.
- NOTE 2:** Heat Delay operation is in progress. This is an optional cycle event. Cycle timing is interrupted while the water is heated to the preset temperature. At either the preset temperature, or a default escape time, normal cycle timing resumes. The escape time is 15 minutes. The pump motor is generating lower and upper spray action during this interval. The sequence is: 3 second pause, 60 second wash, 0,6 second pause, 60 second wash. The termination of the TempAssure event is preset to occur on the upper spray arm action.
- NOTE 3:** This interval time is controlled by the 'CYCLE VARIABLE TABLE'.
- NOTE 4:** TempAssure operation is in progress. This is a fixed cycle event. Cycle timing is interrupted while the water is heated to a preset temperature. At either the preset temperature or a default escape time, normal cycle timing resumes. The escape time is 15 minutes. The pump motor is generating lower and upper spray action during this interval. The sequence is: 3 second pause, 60 second wash, 0,6 second pause, 60 second wash. The termination of the TempAssure event is preset to occur on the upper spray arm action.
- NOTE 5:** Heat Delay operation is in progress. This is an optional cycle event. Cycle timing is interrupted while the water is heated to the preset temperature. At either the preset temperature, or a default escape time, normal cycle timing resumes. The escape time is 15 minutes. The pump motor is generating lower and upper spray action during this interval. The sequence is: 3 second pause, 60 second wash, 0,6 second pause, 60 second wash. The termination of the TempAssure event is preset to occur on the upper spray arm action.
- NOTE 6:** Temperature Maintain: This interval holds the wash temperature at the preset temperature ($\pm 1^{\circ}\text{C}$) for 5 minutes. The heater is free to cycle ON and OFF during this interval. The pump motor is generating lower and upper spray action during this interval. The

'CYCLE VARIABLE TABLE'

INTERVAL	Event time in seconds														Degrees F			
	7	9	11	13	15	17	19	21	47	110	112	114	116	#1	#2	#4	#5	
POTS & PANS	60	30	60	30	60	30	60	30	150	0	75	75	75	140	145	144	147	
NORMAL WASH	60	30	60	30	60	30	60	30	150	0	75	75	75	140	145	144	147	
SHORT (BOTH)	60	30	60	30	60	30	60	30	150	0	75	75	75	127	132	127	132	
SHORT (UPPER)	60	60	60	60	60	60	60	65	120	0	240	60	240	--	--	132	137	

Diagnostic Cycle Test Procedure

While in power failure mode (flashing HI-TEMP WASH & NO HEAT DRY):
Water/Service Test - press and hold, for 3 seconds, NO HEAT DRY and START/CANCEL pads. Press 'START' to manually advance diagnostic events.

If not in power failure mode: Cancel any cycle and, with the door latched, press for 3 seconds HI-TEMP WASH and START/CANCEL pads.

Cycle Sequence

CYCLES	CYCLE SEQUENCE																			
	1	2	3	4	5	6	7	8	9	10	11	12	13	14	15	16	17	18	19	20
POTS & PANS																				
NORMAL WASH																				
SHORT (BOTH)																				
SHORT (UPPER)																				
WASH MOTOR																				
DRAIN MOTOR																				
FILL VALVE																				
HEATER																				
DISPENSER																				
VENT																				
BLOWER																				
ADD-A-DISH																				
WASHING																				
RINSING																				
DRYING																				
CLEAN																				
DURATION (IN SECONDS)	20	87	180	30	150	87	# 3	0,6	# 3	3	# 3	0,6	# 3	0,6	# 3	0,6	# 3	0,6	# 3	0,6
INTERNAL FUNCTION	START DRAIN	1 - FILL	1 - WASH LO	1 - WASH/DRAIN	1 - DRAIN	2 - FILL	2 - WASH LO	2 - PAUSE	2 - WASH HI	2 - PAUSE	2 - WASH LO	2 - PAUSE	2 - WASH HI	2 - PAUSE	2 - WASH LO	2 - PAUSE	2 - WASH HI	2 - PAUSE	2 - WASH LO	2 - PAUSE
INTERNAL NUMBER	1	2	3	4	5	6	7	8	9	10	11	12	13	14	15	16	17	18	19	20