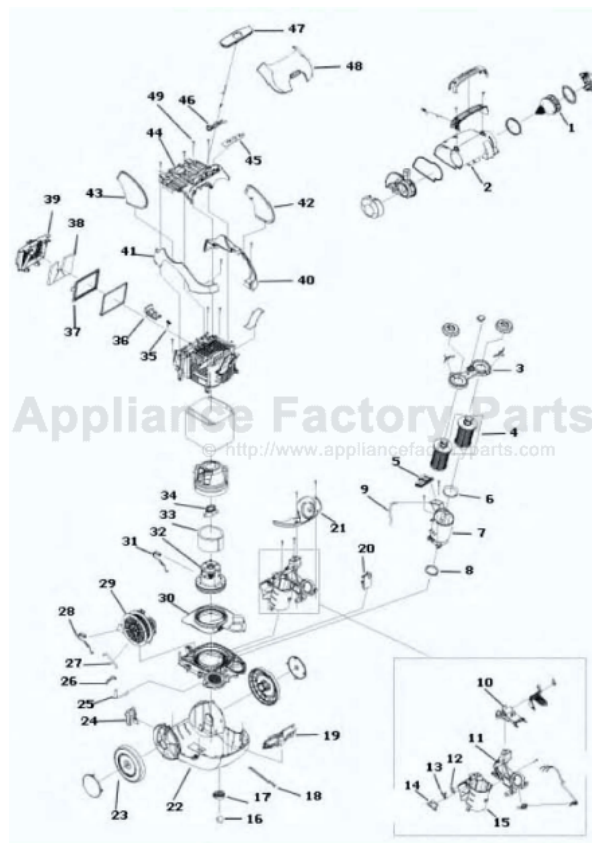


This Owner's Manual is provided and hosted by [Appliance Factory Parts](http://www.appliancefactoryparts.com).



Electrolux EL7055B Owner's Manual

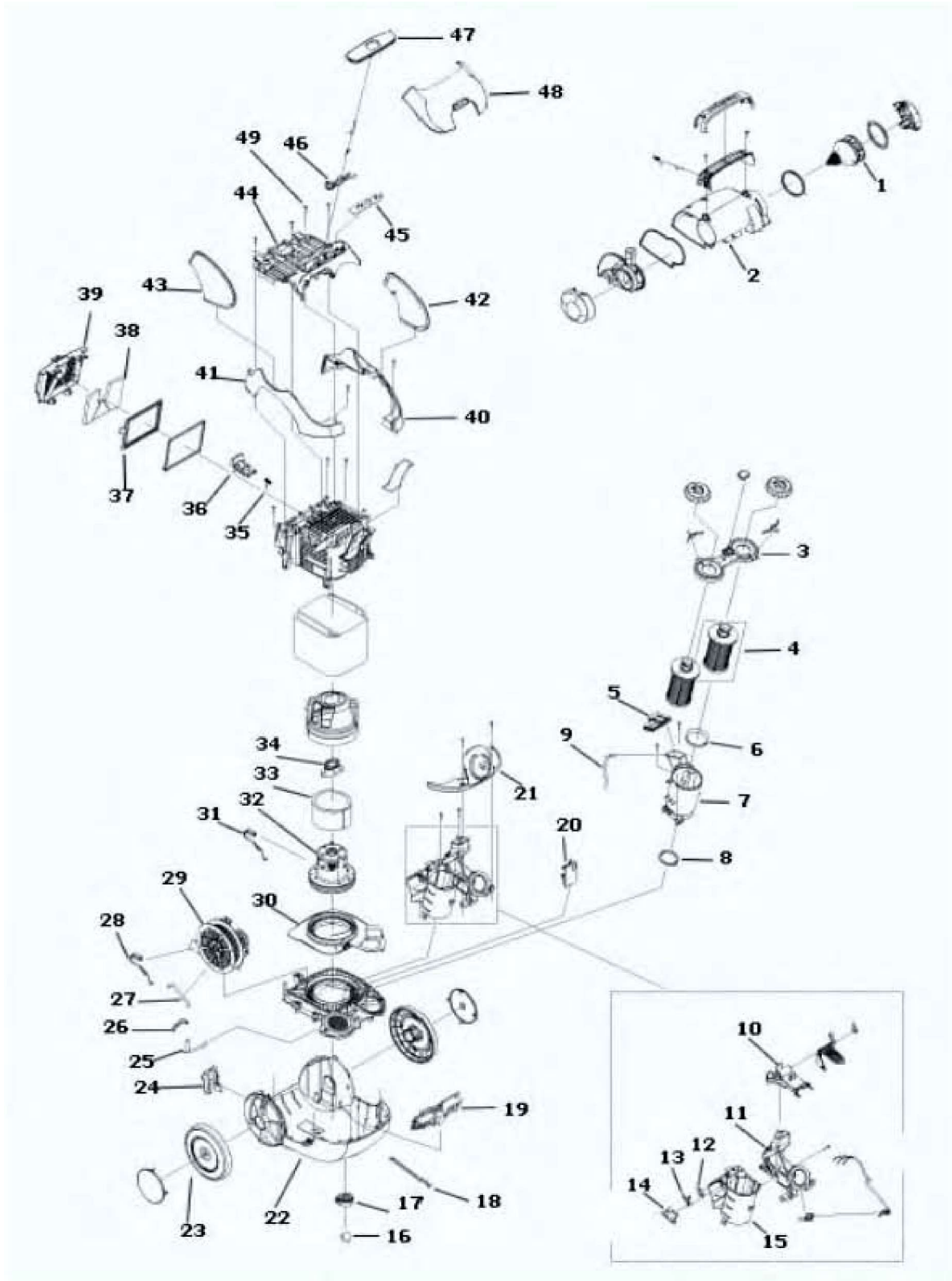
[Shop genuine replacement parts for Electrolux
EL7055B](#)



[Find Your Electrolux Vacuum Cleaner Parts - Select From 68 Models](#)

----- Manual continues below -----

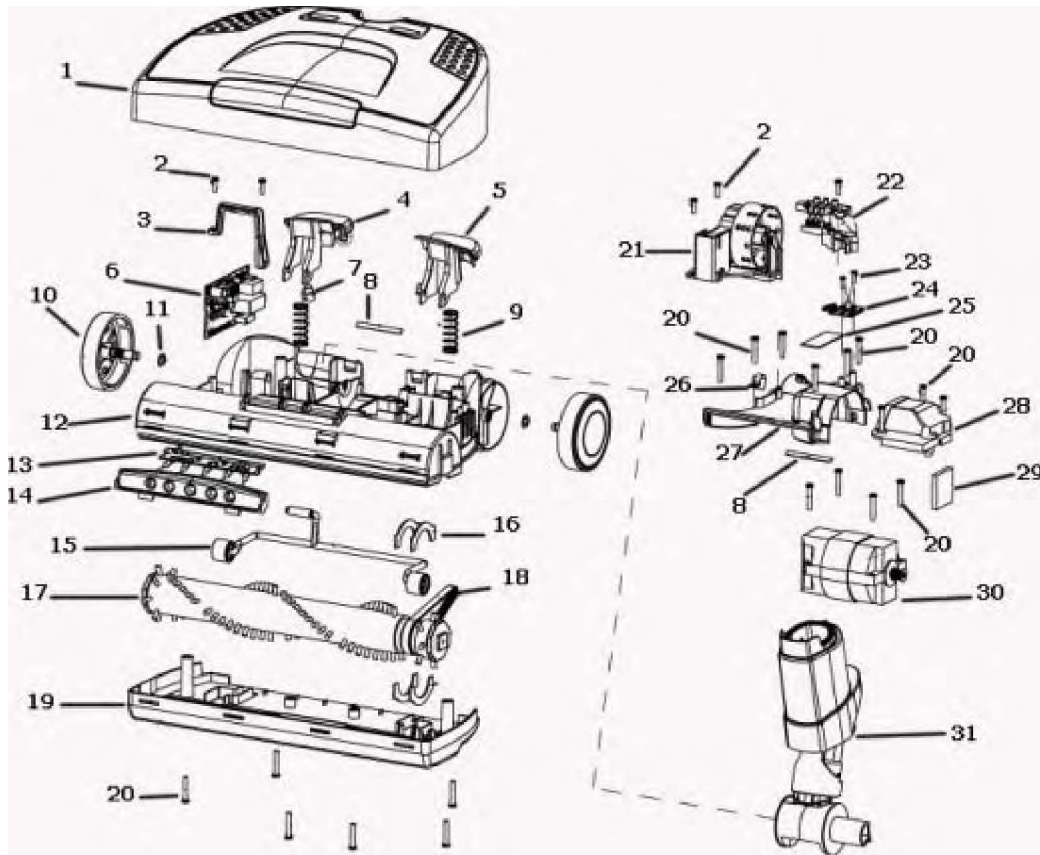
Canister - EL7055B/BZ



Canister - EL7055B/BZ

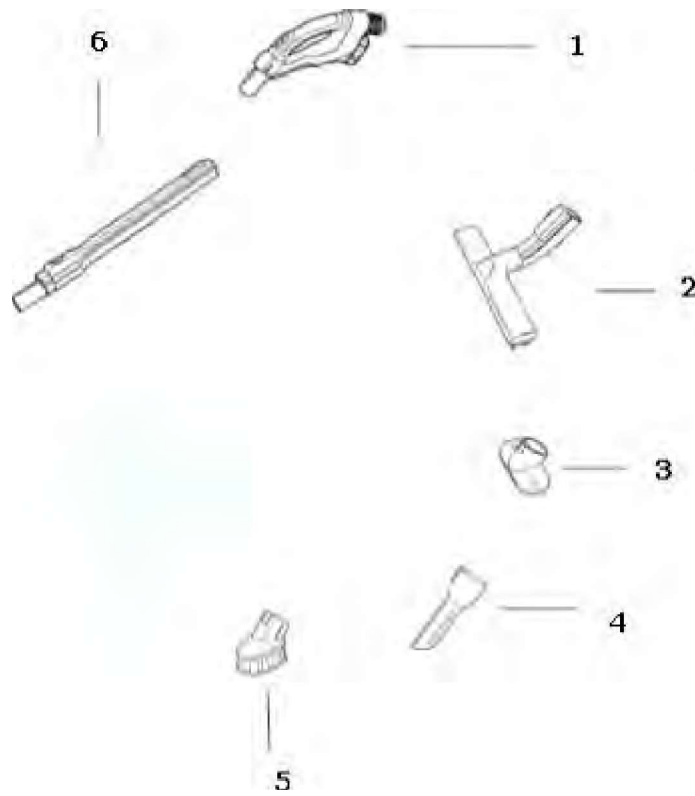
Ref #	Part	Description	Comments	Qty
1	1180019-02	CYCLONE OUTLET		
2	1180017-27	DUST CUP CYCLONE ASSY		
3	1180013-02	CASSETTE FILTER		
4	900196701/8	TWIN CLEAN FILTERS - PACK		
5		Not Available		
6		Not Available		
7	1180011-01	CHAMBER FILTER		
8		Not Available		
9	1180056-01	COOLING HOSE		
10	2193378-01	FLAP COVER		
11	1180167-01	CABLE SUMP POWER SUPPLY		
12	1180080-02	LEVER MICROSWITCH		
13		Not Available		
14	1180155-51	SWITCH BOARD ASSEMBLY		
15	1180010-01	CHAMBER CLEANER		
16	6680981-61	FRONT WHEEL		
17	1096042-04	WHEEL SUPPORT		
18	1180132-51	CABLE		
19	1180136-56	SUMO BOARD		
20	1180110-06	MODULE - MAIN UL		
21	1180051-01	OUTER HOSE CONNECTION		
22	1180000-05	LOWER SHELL w/WHEELS		
23	1130608-02	REAR WHEEL		
24	1180084-01	COVER PLUG RECESS		
25		Not Available		
26		Not Available		
27		Not Available		
28	1180162-01	WIRE TO CORD WINDER		
29	1180073-58	CORD WINDER		
30	1180094-01	MOTOR SEAL		
31	1130969-01	CABLE - MOTOR TERMO UL		
32	63160	MOTOR ASSY - PACKAGED		
33	1130292-02	ABSORBENT INNER		
34	1130909-01	SUSPENSION - REAR DOM		
35	61403-1	SPRING - PKGD		
36	1180049-01	RELEASE BUTTON		
37	EL012B	HEPA FILTER PACKAGE		
38	1180071-01	ABSORBENT REAR FILTER LID		
39	1180006-01	FILTER LID REAR		
40	1180041-01	WHEEL HOUSE COVER LEFT		
41	1180042-01	WHEEL HOUSE COVER RIGHT		
42	1180039-02	SIDE COVER LEFT		
43	1180040-02	SIDE COVER RIGHT		
44	1180007-02	DISPLAY BOTTOM		
45	1180159-52	DISPLAY BOARD		
46	1180081-01	REFLECTOR	10 in package.	
47	77538	CLEANER CONTROL & GRPHCS		
48	1180009-22	FILTER COVER		
49	63146-1	SCREW PACKAGE		

Powerhead EL7A - EL7055B/BZ



Ref #	Part	Description	Comments	Qty
1	NUE-017-2	HOOD ASSEMBLY (ELECTROLUX		
2	63399-1	SCREW PACKAGE		
3	NUE-149-119N	PCB FIX BRACKET		
4	78188	HGT ADJ PEDAL & GRAPHICS		
5	78190	HANDLE RELEASE & GRAPHICS		
6	NUE-012A	UNIT MAIN PCB ASSEMBLY		
7	NUE-206	INSERT - PEDAL		
8	NUE-408	T-JOINT SEALING FELT		
9	NUE-208	SPRINT FOR PIVOT ARM		
10	NUE-014	REAR WHEEL ASSEMBLY		
11	54432-2	PACKAGE - RETAINING RING		
12	16099-2	BASE ASSEMBLY - CARTONED		
13	NUE-010	HEADLIGHT PCB ASSEMBLY		
14	NUE-150-392P	LED FIX COVER		
15	NUE-004	FRONT AXLE ASSEMBLY		
16	NUE-407	FILTER WASHER - LOWER		
17	61699-2	BRUSHROLL ASSY - CARTONED		
18	NUE-401	POLY V5 BELT		
19	NUE-131-366N	SOLE PLATE		
20	63399-2	SCREW PACKAGE		
21	NUE-007	ACTUATOR ASSEMBLY		
22	NUE-011	HEIGHT INDICATOR ASSEMBLY		
23	63399-3	SCREW PACKAGE		
24	NUE-013	OVERLOAD INDICATOR PCB AS	Powerhead Assy. complete.	
25	NUE-411	FOAM PAD		
26	NUE-219	SPRING PLATE		
27	NUE-103-119N	AIR CHANNEL COVER		
28	NUE-107-119N	MOTOR COVER		
29	NUE-413	VENT FOAM FOR MOTOR		
30	NUE-006	MOTOR ASSEMBLY		
31	NUE-003	COUPLING ASSEMBLY		
	NUE-109-366N	C-CLAMP		
	EL7A			

Accessories - EL7055B/BZ



Ref #	Part	Description	Comments	Qty
1	61054-3	Swivel Hose Assy		
2	75973-1	FLOOR & WALL BRUSH ASSEMB		
3	75985	NOZZLE - FURNITURE		
4	76250	NOZZLE - CREVICE		
5	75986	NOZZLE - DUSTING BRUSH		
6	75979-1	TELESCOPIC WAND ASSY.		
	76161-366N	CADDY - TOOL	Not Pictured	
OWNERS MANUAL	77764A		NO PICTURE	
	045027-355N	Sumo Adapter		