

This Owner's Manual is provided and hosted by [Appliance Factory Parts](#).



# Electrolux EL7061B Owner's Manual

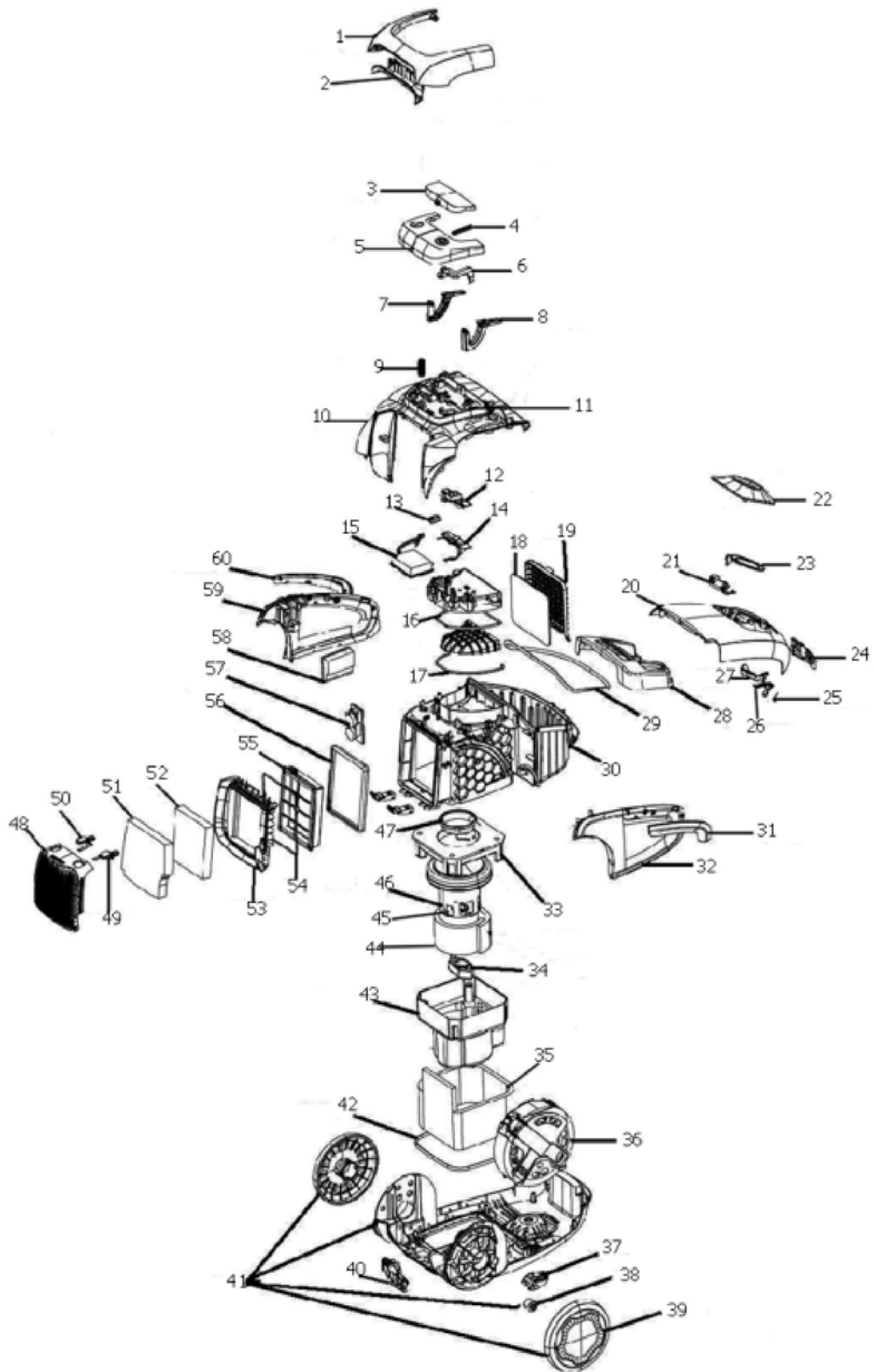
[Shop genuine replacement parts for Electrolux  
EL7061B](#)



[Find Your Electrolux Vacuum Cleaner Parts - Select From 68 Models](#)

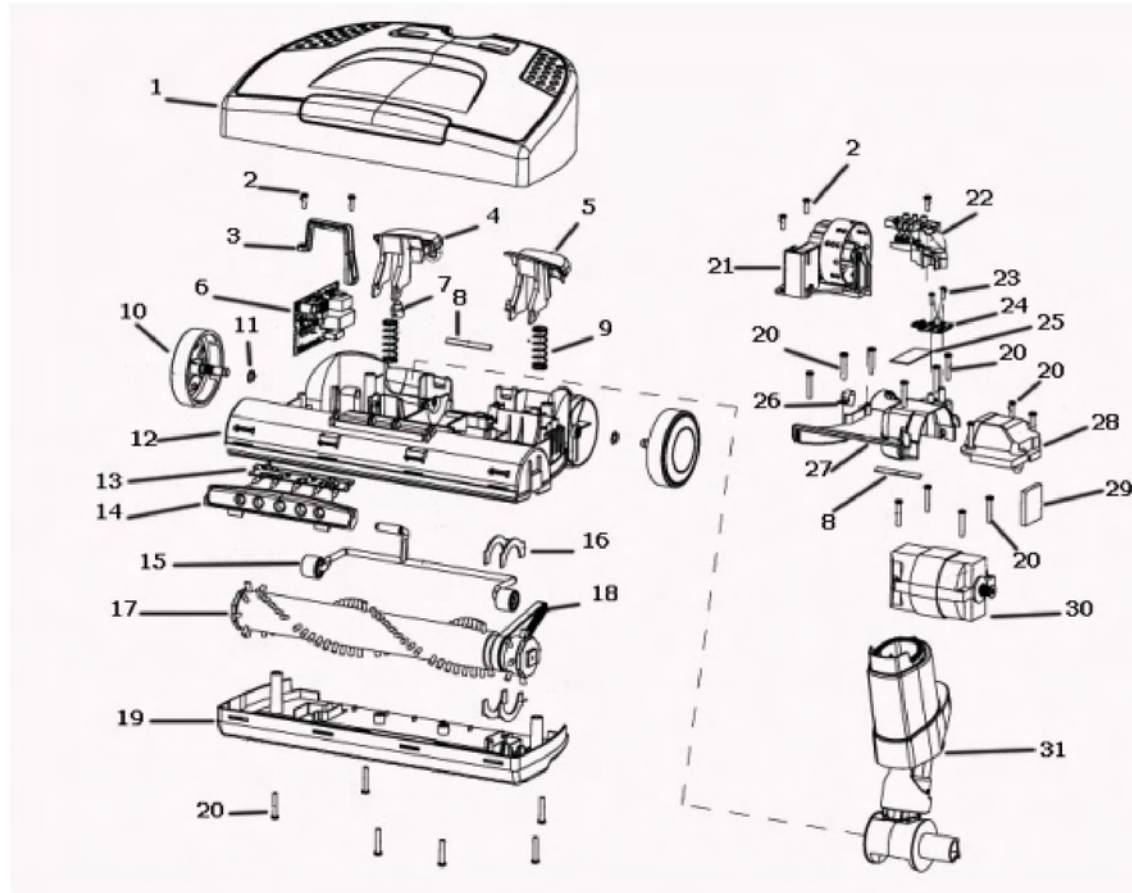
----- Manual continues below -----

Canister - EL7061B



Canister - EL7061B

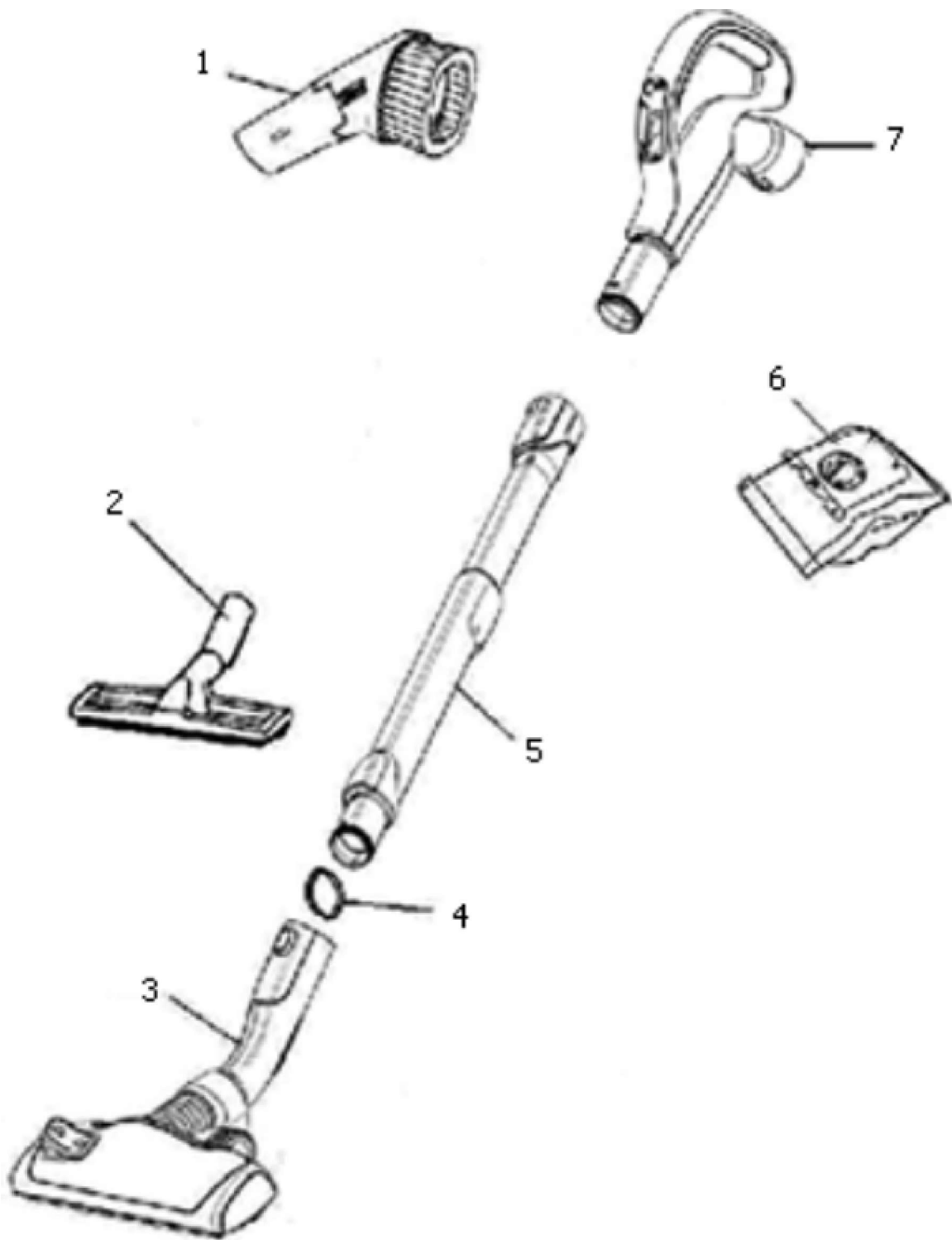
Ref #	Part	Description	Comments	Qty
1	1181923-02	COVER - COVER		
2	1181922-02	HANDLE		
3	2197005-02	DISPLAY L3/L4		
4	1181965-01	SHAFT - PEDAL		
5	2197089-02	PEDALSET COMPLETE		
6	1181931-01	LEVER - SWITCH		
7	1181961-02	HINGE - REARCOVER LEFT		
8	1181962-02	HINGE - REARCOVER RIGHT		
9	63157-14	SPRING PACKAGE		
10	1181907-02	COVER - REAR		
11	63157	SPRING PACKAGE		
12	1181974-03	PCB DISPLAY L4		
13	1181966-01	FIXATION - HANDLE		
14	2197055-01	PCB SAT PEDAL ACT UL		
15	1181868-01	PCB POWER MODULE ONE INT		
16	1181955-01	SEAL		
17	1181954-01	SEAL		
18	2197012-01	MOTOR FILTER ASSEMBLY		
19	1181926-01	HOLDER - DISASTER FILTER		
20	2197016-14	COVER - DUSTBAG		
21	1181952-01	CONNECTOR - CONTACT		
22	1181940-01	HOSE CONNECTOR		
23	1181959-02	POWER OUTLET L3		
24	1181912-02	CATCH - FRONT LID		
25	63147	SPRING PACKAGE		
26	1130914-03	SAFETY - DEVIVR		
27	1181943-02	LID - FRONT		
28	1181905-01	HOLDER - DUSTBAG		
29	1096847-03	DUST BAG GASKET		
30	1181901-01	DUSTBAG - CONTAINER		
31	2194097-01	FRAME - RIGHT SIDE		
32	1181929-01	COVER - RIGHT SIDE		
33	1181916-01	RING - SUSPENSION		
34	2192664-01	SUSPENSION BLOCK -MOTOR		
35	1181918-01	COVER - LEFT SIDE		
36	2198345-66	CORD REEL ASSEMBLY		
37	1096042-07	HOLDER - FRONT WHEEL		
38	6680981 -64	FRONT WHEEL POM/TF V2		
39	1181988-01	WHEEL - REAR		
40	1181960-02	RECESS - CABLE		
41	2197019-02	BOTTOM ASSEMBLY		
42	1181938-01	SEALING - MOTORHOUSE		
43	1181903-01	COVER - MOTOR		
44	1129020-01	SOUND FOAM (MOTOR)		
45	1130969-07	TCO/MOTOR WIRE ASSEMBLY		
46	63160	MOTOR ASSY - PACKAGED		
47	1181917-01	BELLOW		
48	1181935-02	COVER - GRILL		
49	1181987-02	BUTTON - GRILL COVER RIGH		
50	1181986-02	BUTTON - GRILL COVER LEFT		
51	1181953-01	SOUND ABSORBER - FILTER G		
52	1181919-01	SOUND ABSORBER - FILTER G		
53	1181911-02	FRAME - FILTER GRILL		
54	2192645-03	SEAL - FILTER		
55	EL012W	WASHABLE HEPA FILTER		
56	1181939-01	SEALING - GRILLCOVER		
57	1181971-02	PCB SAT DB/FI L4		
58	1181870-02	PCB POWER SUPPLY		
59	1181928-01	COVER - LEFT SIDE		
60	2194096-01	FRAME - LEFT SIDE		



Power Head EL12A - EL7061B

Ref #	Part	Description	Comments
1	NUE-017-7	HOOD ASSEMBLY (ELECTROLUX	
2	63399-1	SCREW PACKAGE	
3	NUE-149-119N	PCB FIX BRACKET	
4	78188-1	HGT ADJ PEDAL & GRAPHICS	
5	78190-1	HANDLE RELEASE & GRAPHICS	
6	NUE-012A	UNIT MAIN PCB ASSEMBLY	
7	NUE-206	INSERT - PEDAL	
8	NUE-408	T-JOINT SEALING FELT	
9	NUE-208	SPRINT FOR PIVOT ARM	
10	NUE-028-1	REAR WHEEL ASSEMBLY	
11	54432-2	PACKAGE - RETAINING RING	
12	16099-2	BASE ASSEMBLY - CARTONED	
13	NUE-010	HEADLIGHT PCB ASSEMBLY	
14	NUE-150-392P	LED FIX COVER	
15	NUE-004	FRONT AXLE ASSEMBLY	
16	NUE-407	FILTER WASHER - LOWER	
17	61699-2	BRUSHROLL ASSY - CARTONED	
18	EL097	TRITON UPRIGHT POLY V BELT	
19	NUE-131-453N	SOLE PLATE	
20	63399-2	SCREW PACKAGE	
21	NUE-007	ACTUATOR ASSEMBLY	
22	NUE-011	HEIGHT INDICATOR ASSEMBLY	
23	63399-3	SCREW PACKAGE	
24	NUE-013	OVERLOAD INDICATOR PCB AS	
25	NUE-411	FOAM PAD	
26	NUE-219	SPRING PLATE	
27	NUE-103-119N	AIR CHANNEL COVER	
28	NUE-107-119N	MOTOR COVER	
29	NUE-413	VENT FOAM FOR MOTOR	
30	NUE-006	MOTOR ASSEMBLY	
31	NUE-003A	COUPLING ASSEMBLY	
	NUE-109-625N	C-CLAMP	
	EL12A	Powerhead Assembly	

Accessories - EL7061B



Accessories - EL7061B

Ref #	Part	Description	Comments
1	2193714-01	MULTI TOOL 2G	
2	75973-1	FLOOR & WALL BRUSH ASSEMB	
3	2197100-01		
4	1181611-01	SEAL - TUBE	
5	2197098-01	TUBE TELESC SUMO UL AC NU	
6	EL201	ELCTRLX SYNTHTC S BAG CLA	
7	61054-9	SWIVEL HOSE ASSY - CARTON	
	79102	OWNERS GUIDE	
	1181806-01	MULTI TOOL CLIP 2G	