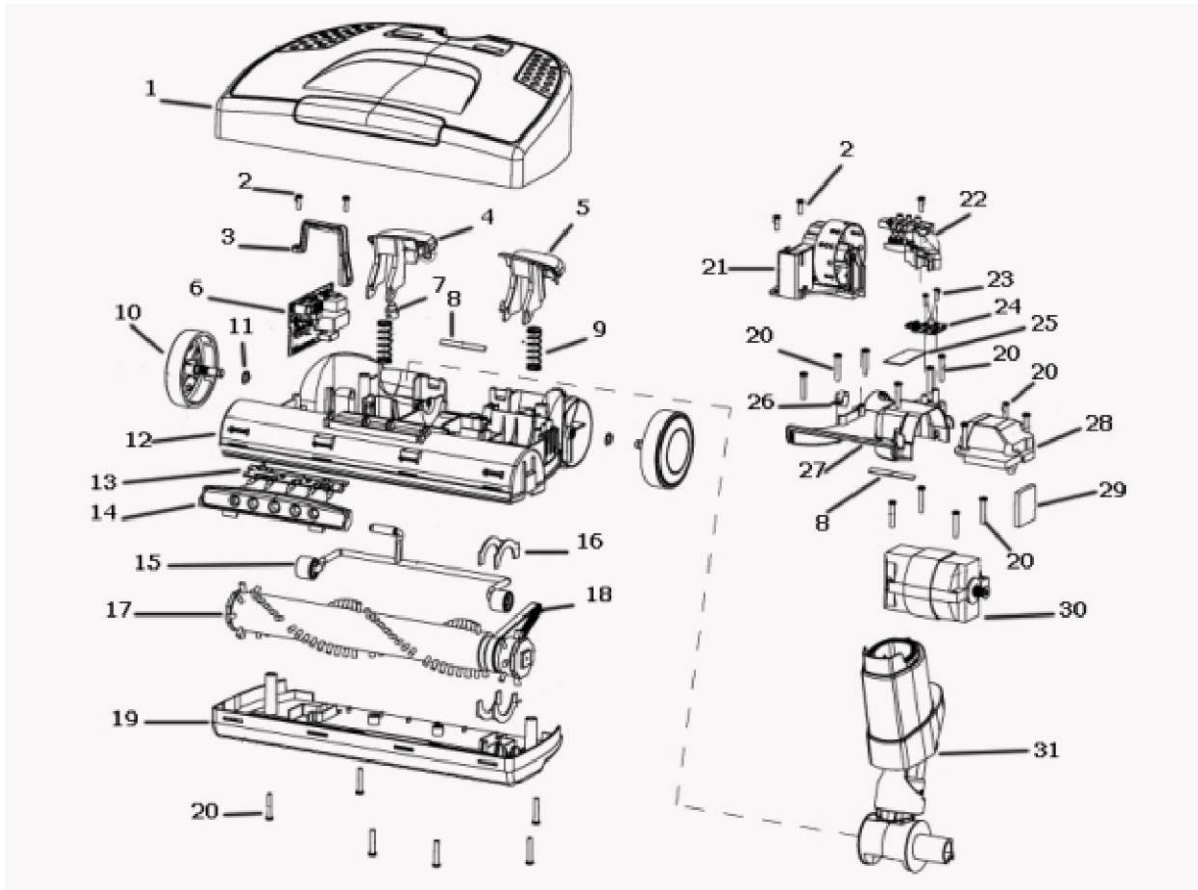


Ref #	Part	Description	Comments	Qty
1				
2	1181922-06	HANDLE ASSEMBLY		
3	2197005-01	DISPLAY L3/L4		

4	1181965-01	SHAFT - PEDAL		
5	2197091-01	PEDALSET COMPLETE		
6	1181931-01	LEVER - SWITCH		
7	1181961-03	HINGE - REARCOVER LEFT		
8	1181962-02	HINGE - REARCOVER RIGHT		
9	63157-14	SPRING PACKAGE		
10	2194092-02	COVER - REAR		
11	63157	SPRING PACKAGE		
12	1181974-02	PCB DISPLAY L4		
13	2197055-01	PCB SAT PEDAL ACT UL		
14	1181974-02	PCB DISPLAY L4		
15	1181868-01	PCB POWER MODULE ONE INT		
16	1181955-01	SEAL		
17	1181954-01	SEAL		
18!	2197012-01	MOTOR FILTER ASSEMBLY		
19	1181926-01	HOLDER - DISASTER FILTER		
20	2197016-13	COVER - DUSTBAG		
21	1181952-01	CONNECTOR - CONTACT		
22	1181940-01	HOSE CONNECTOR		
23	1181959-03	POWER OUTLET L3		
24	1181912-03	CATCH - FRONT LID		
25	63147	SPRING PACKAGE		
26	1130914- 03	SAFETY - DEVIVR		
27	1181943-03	LID - FRONT		
28	1181905-01	HOLDER - DUSTBAG		
29	1096847-03	DUST BAG GASKET		
30	1181901-01	DUSTBAG - CONTAINER		
31	2194097-01	FRAME - RIGHT SIDE		
32	1181929-01	COVER - RIGHT SIDE		
33	1181916-01	RING - SUSPENSION		
34	2192664-01	SUSPENSION BLOCK - MOTOR		
35				
36	2198345-66	CORD REEL ASSEMBLY		
37	1096042-07	HOLDER - FRONT WHEEL		
38	6680981-64	FRONT WHEEL POM/TF V2		
39	1181988-01	WHEEL - REAR		
40	1181960-03	RECESS - CABLE		
41	2197019-03	BOTTOM ASSEMBLY		!
42	1181938-01	SEALING - MOTORHOUSE		
43	1181903-01	COVER - MOTOR		
44	1129020-01	SOUND FOAM (MOTOR)		
45	1130969-07	TCO/MOTOR WIRE ASSEMBLY		
46	63160	MOTOR ASSY - PACKAGED		
47	1181917-01	BELLOW		
48	1181935-03	COVER - GRILL		
49	1181987-03	BUTTON - GRILL COVER RIGH	!	
50	1181986-03	BUTTON - GRILL COVER LEFT		
51	1181953-01	SOUND ABSORBER - FILTER G		

52	1181919-01	SOUND ABSORBER - FILTER G		
53	1181911-03	FRAME - FILTER GRILL		
54	2192645-03	SEAL - FILTER		
55	EL012W	WASHABLE HEP A FILTER		
56	1181939-01	SEALING - GRILLCOVER		
57	1181971-02	PCB SAT! DB/FI L4		
58	1181870-02	PCB POWER SUPPLY		
59	1181928-01	COVER - LEFT SIDE		
60	2194096-01	FRAME - LEFT SIDE		

Power Head EL11A - EL7066A

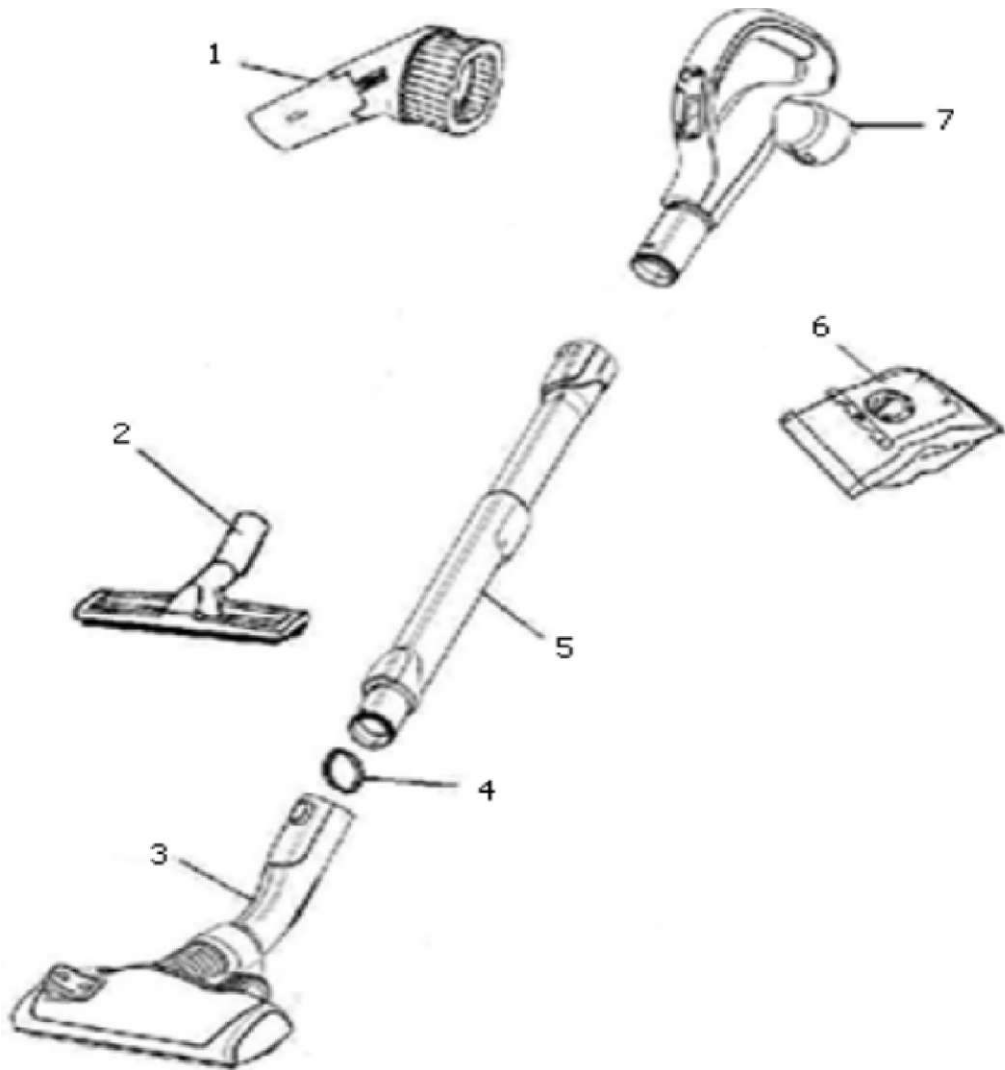


Power Head EL11A - EL7066A

Ref #	Part	Description	Comments	Qty
1	NUE-017-6	HOOD ASSEMBLY (ELECTROLUX		
2	63399-1	SCREW PACKAGE		
3	NUE-149-119N	PCB FIX BRACKET		
4	78188-2	HGT ADJ PEDAL & GRAPHICS		
5	78190-2	HANDLE RELEASE & GRAPHICS		
6	NUE-012A	UNIT MAIN PCB ASSEMBLY		
7	NUE-206	INSERT - PEDAL		
8	NUE-408	T-JOINT SEALING FELT		
9	NUE-208	SPRINT FOR PIVOT ARM		!
10	NUE-028-1	REAR WHEEL ASSEMBLY		
11	54432-2	PACKAGE - RETAINING RING		
12	16099-3	BASE ASSEMBLY - CARTONED		
13	NUE-010	HEADLIGHT PCB ASSEMBLY		

14	NUE-150-392P	LED FIX COVER		
15	NUE-004-1	FRONT AXLE ASSEMBLY		
16	NUE-407	FILTER WASHER - LOWER		
17	61699-2	BRUSHROLL ASSY - CARTONED		
18	EL097	TRITON UPRIGHT POLY V BELT		
19	NUE-131-625N	SOLE PLATE		
20	63399-2	SCREW PACKAGE		
21	NUE-007	ACTUATOR ASSEMBLY		
22	NUE-011	HEIGHT INDICATOR ASSEMBLY		
23	63399-3	SCREW PACKAGE		
24	NUE-013	OVERLOAD INDICATOR PCB AS		
25	NUE-411	FOAM PAD		
26	NUE-219	SPRING PLATE		
27	NUE-103-119N	AIR CHANNEL COVER		
28	NUE-107-119N	MOTOR COVER		
29	NUE-413	VENT FOAM FOR MOTOR		
30	NUE-006	MOTOR ASSEMBLY		
31	NUE-027	NECK ASSEMBLY		
	NUE-109-625N	C-CLAMP		
	EL11A			

Accessories - EL7066A



Ref #	Part	Description	Comments	Qty
1	2193714-01	MULTI TOOL 2G		
2	2192699-08	HARD FLOOR NOZZLE ASSY		
3	2192699-08	HARD FLOOR NOZZLE ASSY		
4	1181611-01	SEAL - TUBE		
5	2197098-04	TUBE TElesc SUMO UL AC NU		
6	EL201	ELCTRLX SYNTHTC S BAG CLA		
7	61054-12	SWIVEL HOSE ASSY - CARTON		
	82316	OWNERS GUIDE		
	1181806-01	MULTI TOOL CLIP 2G		