

This Owner's Manual is provided and hosted by [Appliance Factory Parts](#).



# Electrolux EL8505A Owner's Manual

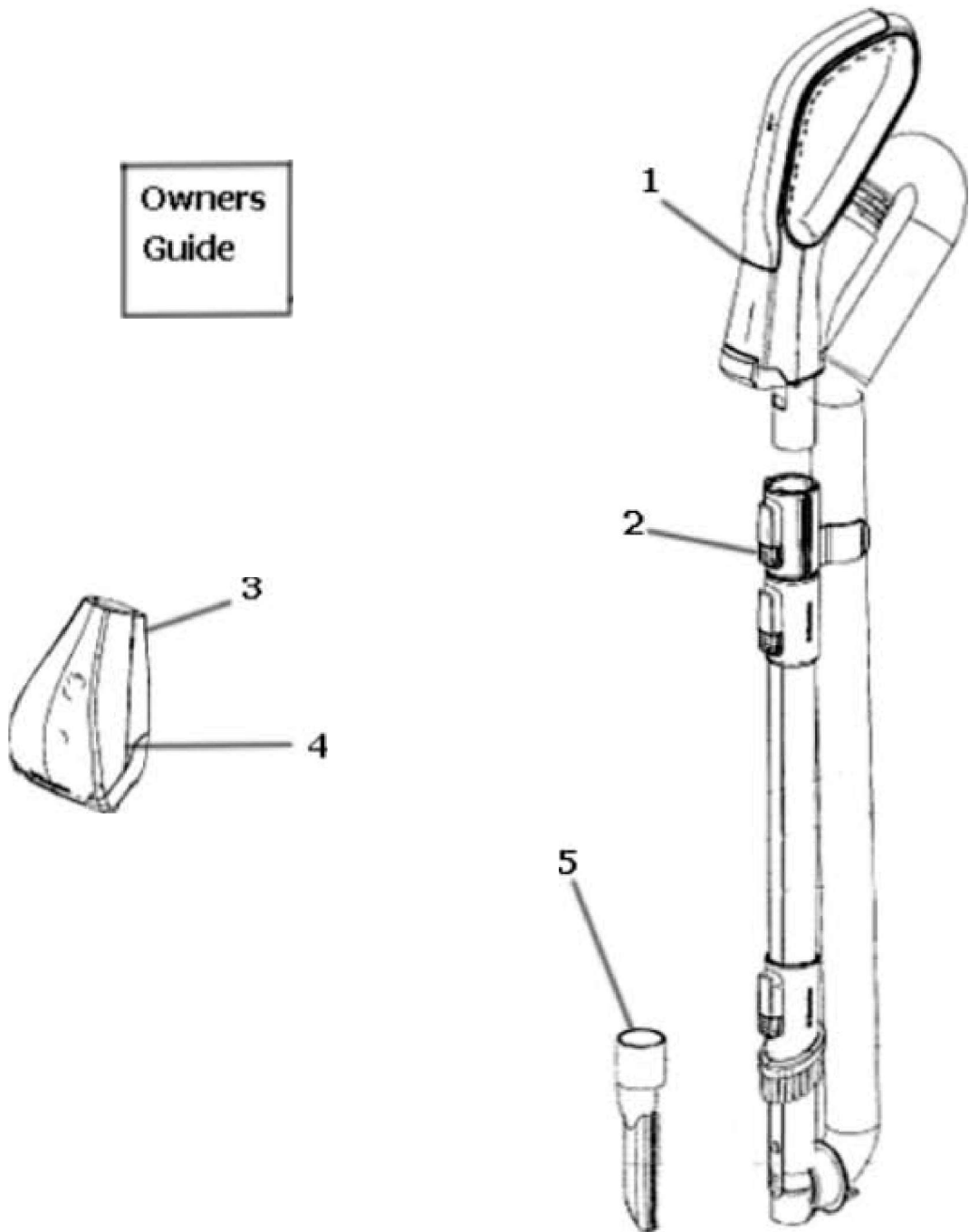
[Shop genuine replacement parts for Electrolux  
EL8505A](#)



[Find Your Electrolux Vacuum Cleaner Parts - Select From 68 Models](#)

----- Manual continues below -----

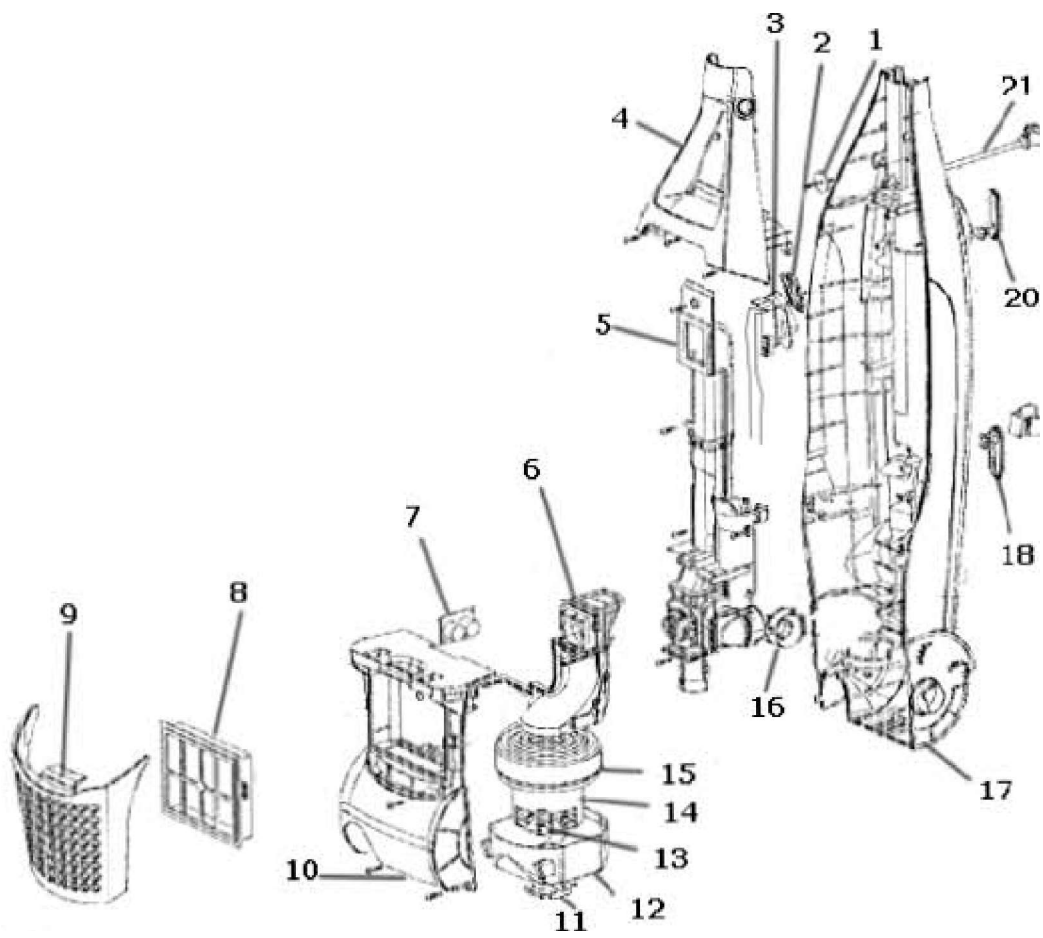
Owners  
Guide



## Handle &amp; Accessories - EL8505A

<b>Ref #</b>	<b>Part</b>	<b>Description</b>	<b>Comments</b>
1	E-15890-2	HANDLE & HOSE ASSY - CART	
2	E-78936A		
3	E-79251-2	TURBO NOZZLE ASSEMBLY	
4	E-79270	BELT	
5	E-78519-366N	TOOL - GREVICE	
6	E-79976	OWNERS GUIDE	

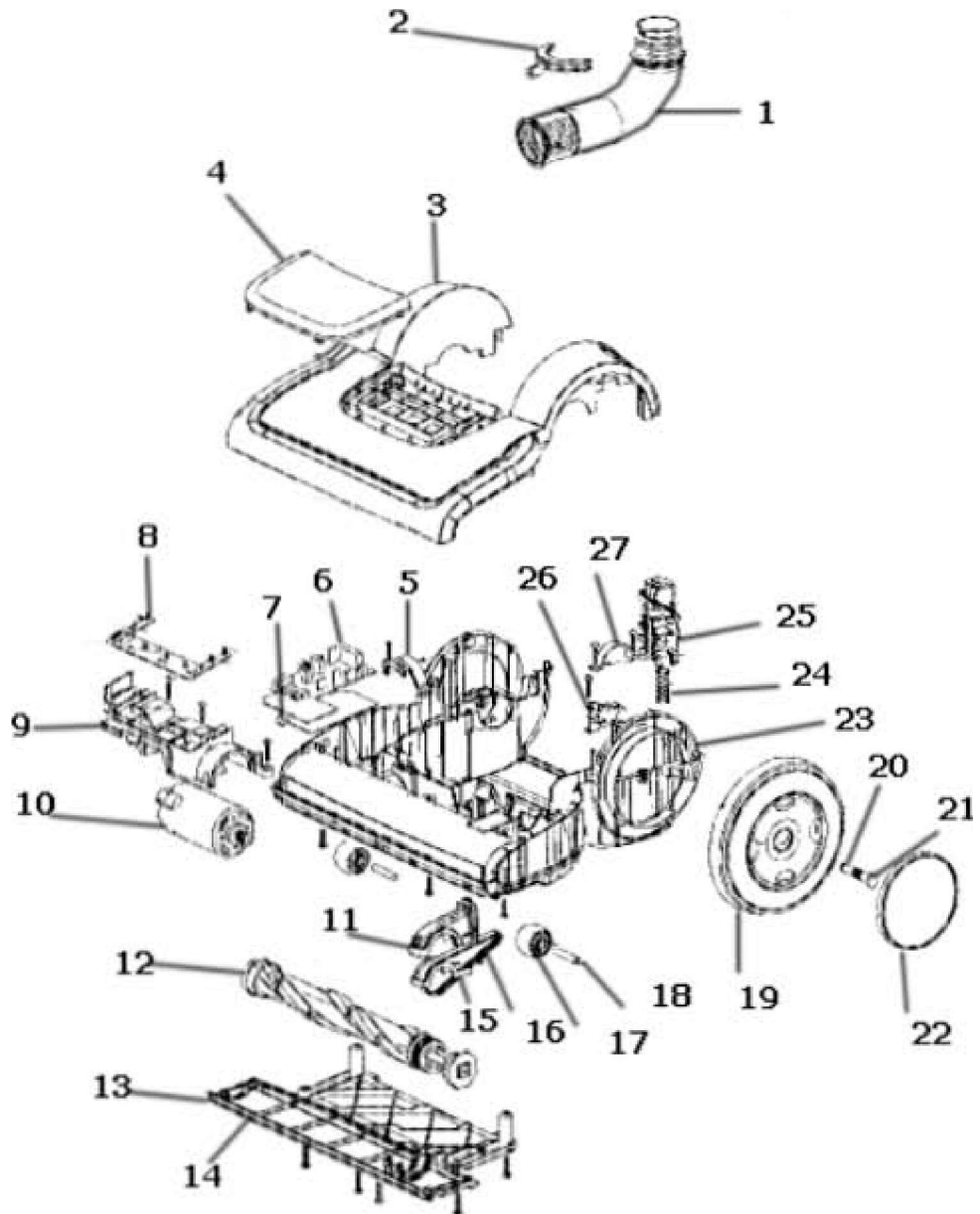
Main Body - EL8505A



## Main Body - EL8505A

Ref #	Part	Description	Comments
1	E-74178	WASHER - FIBER	
2	E-80345	SWITCH COVER & GRAPHICS A	
3	E-80376	SWITCH HOUSING ASSEMBLY	
4	E-80366-2	TOP COVER & BUCKLE ASSEMB	
5	E-79051-1	VALVE ASSEMBLY	
6	E-79050	AIR CHUTE ASSEMBLY	
7	E-78899	PCB- PRESSURE SENSOR	
8	E-39938-4	FILTER - "H" SERIES	
9	E-15895-2	FILTER COVER ASSY - PACKA	
10	E-15894-1	MOTOR COVER ASSY - PACKAG	
11	E-78901	GROMMET- MOTOR	
12	E-79465-119N	MOTOR SHROUD	
13			
14	E-15897-1	MOTOR ASSY - CARTONED	
15	E-79742	GASKET - MOTOR CAN	
16	E-79741-119N	COVER - SUCTION	
17	E-15893-2	REAR HOUSING ASSY - PACKA	
18	E-79070-1	QUICK CORD RELEASE ASSEMB	
19	E-79220-366N	LOWER HOSE HOOK	
20	E-79070-1	QUICK CORD RELEASE ASSEMB	
21	E-39584-25		

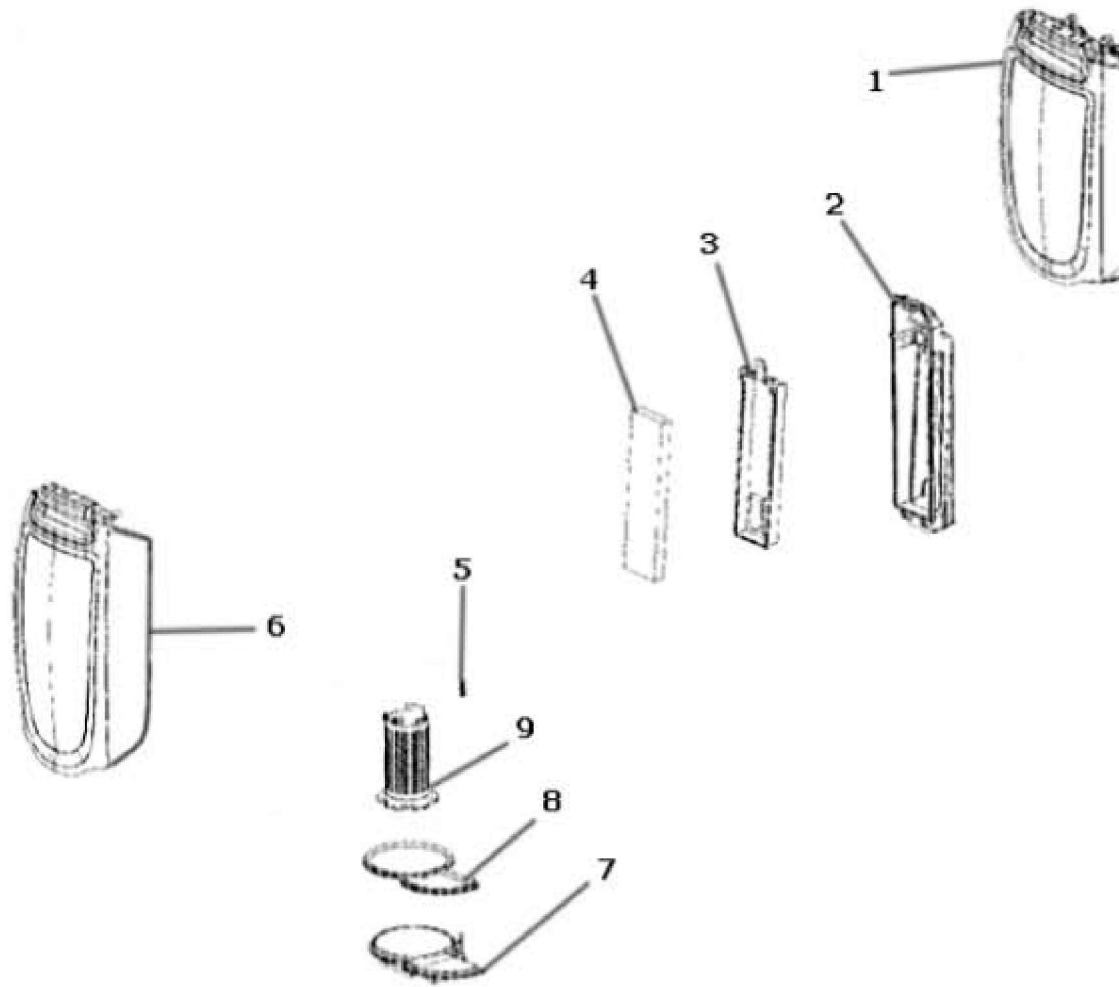
Base & Hood - EL8505A



## Base &amp; Hood - EL8505A

Ref #	Part	Description	Comments
1	E-80375	BASE HOSE ASSEMBLY	
2	E-79084-119N	CLIP - BASE HOSE	
3	E-15891-2	HOOD & FURNIT GUARD ASSY-	
4	E-80306	DISPLAY PANEL ASSEMBLY	
5	E-79926-119N	CLAMP - BASE HOSE	
6	E-78532A	MAIN PC BOARD (US)	
7	E-80831	FIBER BOARD (ELECTRONICS)	
8	E-80794	PCB - DISPLAY	
9	E-78533-366N	COVER -BRUSHROLL MOTOR	
10	E-15899-1	BRUSHROLL MOTOR & PULLEY	
11	E-79094-366N	CAP - BELT	
12	E-15898-1	BRUSHROLL ASSY - CARTONED	
13	E-80350	SOLEPLATE ASSEMBLY	
14	E-79091	GASKET - SOLEPLATE	
15	E-81021	FELT - SOLEPLATE	
16	E-77133	BELT - POLY V	
17	E-80349	FRONT WHEEL ASSEMBLY	
18	E-79047	AXLE - FRONT WHEEL	
19	E-79044A		
20	E-54432-2	PACKAGE - RETAINING RING	
21			
22	E-78541-577P	CAP - HUB	
23	E-80378A-2		
24	E-79092	SPRING - HANDLE RELEASE	
25	E-80795-1	HANDLE RELEASE ASSEMBLY	
26	E-59397-8	MICRO SWITCH & BRACKET AS	
27	E-61614	CLAMP	

Dust Cup Assembly - EL8505A



## Dust Cup Assembly - EL8505A

Ref #	Part	Description	Comments
1	E-79027-2	CYCLONE ASSEMBLY	
2	E-80362-1	PRE-MOTOR FILTER COVER AS	
3	E-79941	FILTER FRAME ASSEMBLY	
4	E-79032	FILTER - FOAM	
5	E-15896-1	SPRING - PACKAGED	
6	E-80364-2	CYCLONE COVER ASSEMBLY	
7	E-78544-366N	LID - BOTTOM	
8	E-78892-366N	SEAL - BOTTOM LID	
9	E-78547-489N	SCREEN	