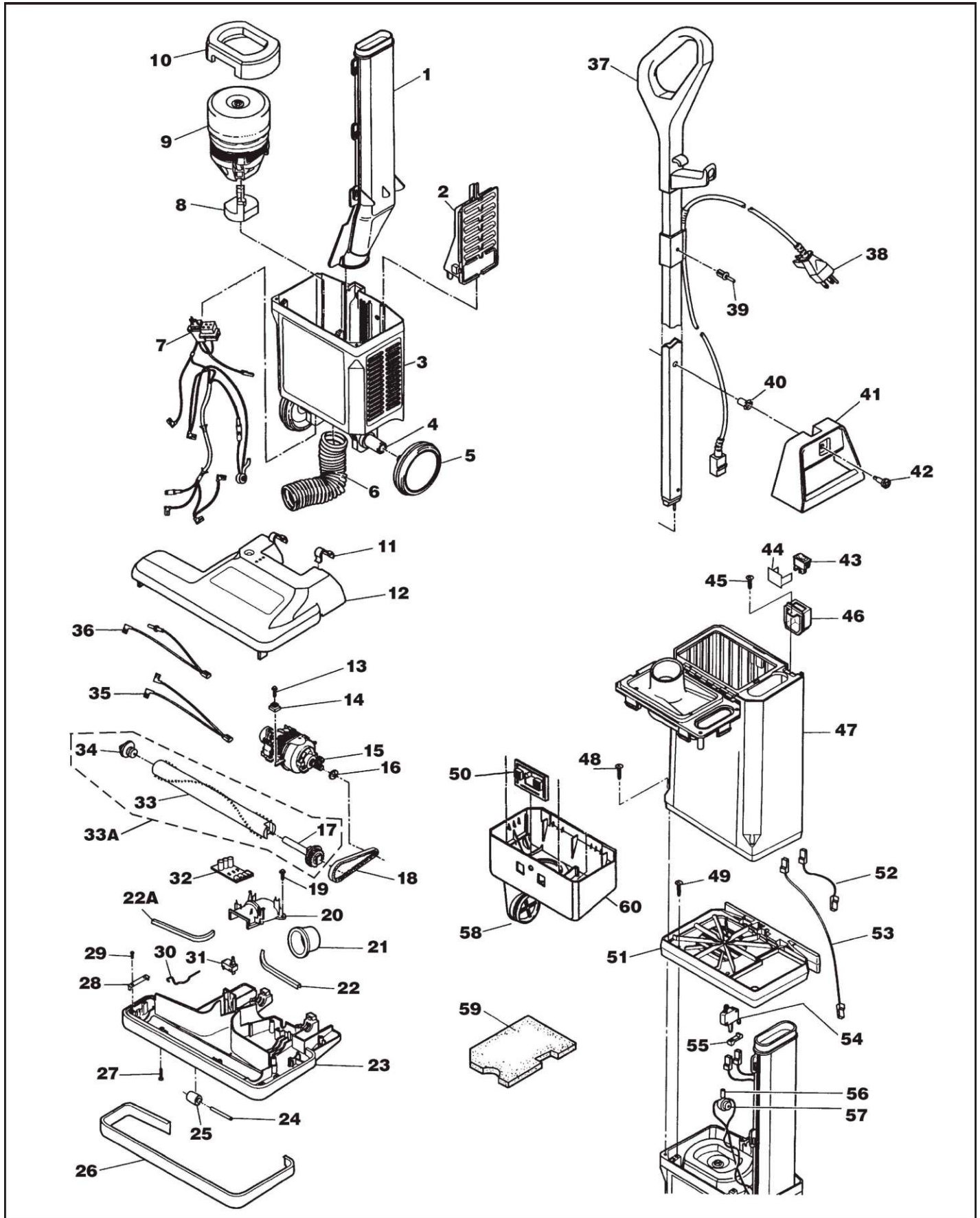


ELECTROLUX Original & Replacement

Models U129B, U136B, U139A, Sanitaire SC6600A



Original & Replacement **ELECTROLUX**

Models U129B, U136B, U139A, Sanitaire SC6600A

KEY	PART No.	DESCRIPTION	KEY	PART No.	DESCRIPTION
1	EX-46942	Duct Assembly U129B	36	NLA	Lead Wire U136B
1	NLA	Duct Assembly U136B	37	NLA	Handle Assembly Without Cord U129B, U139A, SC6600A
	NLA	Wand Guide - Left U139A			
	EX-47840	Wand Guide - Right U139A	37	NLA	Handle U136B
2	EX-47874	Exhaust Deflector	38	NLA	Cord 50' 18/3 Red (Order E-39857)
3	NLA	Motor Body Housing	38	E-39857	Cord 50' 18/3 Beige W/O Rivet
3	NLA	Motor Body Housing SC6600A Red	38	EXR-3025-1	Cord 50' 18/3 Beige
3	PvR-7500	Motor Body Housing SC6600A Gray	38	NLA	Cord U136B
		requires EXR-1802 Filter & Pv-104306 Wheels)	39	NLA	Rivet
4	NLA	Wheel Bearing	40	E-05332-0006	Handle Bushing
5	PV-104306	Rear Wheel 2 PK	41	NLA	Carry Handle
6	NLA	Duct Hose	41	NLA	Carry Handle U136B
6	EXR-4500	Duct Hose	42	E-00209-0007	Screw
7	NLA	Wire Harness	43	E-00941-0061	On/Off Switch
7	NLA	Wire Harness U139A Only	44	EX-47378	Switch Insulator
8	EX-47611	Lower Motor Mount	45	EX-43991	Screw
9	E-62078-1	Suction Motor	46	NLA	Switch Case
10	EX-43232	Upper Motor Mount	47	NLA	Bag Housing U129B
11	E-07518-0011	Detent Spring	47	NLA	Bag Housing U136B
12	EX-47197	Nozzle Cover U129B Only	47	EX-47884	Bag Housing U139A
12	E-07510-0153	Nozzle Cover SC6600A (Color May Vary)	47	E-39852	Bag Housing SC6600A
13	E-00253-0018	Screw	48	EX-47117	Screw
14	NLA	Insulator Grommet	49	NLA	Screw
15	NLA	Brushroll Motor	50	NLA	Bag Cover Latch
15	EXR-6060	Brushroll Motor	51	EX-47372	Bulkhead U129B, U139A
16	NLA	Belt Retainer (Order C0-42820)	51	NLA	Bulkhead U136B
17	EX-45121	Pulley & Bearing Assembly	52	EX-47383	Lead Assy (Black - On/Off Switch To Lockout Switch) U129B, U139A
17	EXR-6225	Pulley & Bearing Assembly			
18	CO-48359	Geared Belt 3/8" Wide	53	EX-47382	Lead Assy (Red - On/Off Switch to Motor) U129B, U139A
18	EXR-1080	Geared Belt 5/16" Wide			
19	E-00253-0018	Screw		EX-47898	Lead Assy (Blue) On/Off Switch To Wand Lockout Switch U139A, SC6600A
20	NLA	Duct Hose Retainer U129B, U139A, SC6600A			
20	EX-45137	Duct Hose Retainer U136B			
21	NLA	Duct Hose Sleeve U129B, U139A, SC6600A	54	EX-46943	Bag Lockout Switch U129B, U139A, SC6600A
21	NLA	Duct Hose Sleeve U136B	54	NLA	Bag Lockout Switch U136B
22	NLA	Nozzle Base Seal - Left		NLA	Wand Lockout Switch U139A, SC6600A
22A	NLA	Nozzle Base Seal - Right			
23	NLA	Nozzle Base SC6600A Only	55	EX-47028	Switch Insulator U129B, U139A, SC6600A
24	E-07543-0025	Front Roller Shaft 2 Pk			
25	NLA	Front Roller	56	NLA	Tubing (Pressure Switch)
26	NLA	Bumper U129B, U139A (Order E-05139-0140)	57	EX-46939	Pressure Switch U129B, U139A, SC6600A
26	NLA	Bumper SC6600A Gray			
27	E-00263-0019	Screw	58	NLA	Access Port Plug U129B, U139A
28	E-07538-0020	Brushroll Bearing Retainer U129B, U139A, SC6600A	58	EX-47929	Access Port Plug U136B
			59	NLA	Secondary Motor Filter (order EXR-1825)
29	E-00232-0018	Screw			
30	NLA	Wire Form U129B, U139A, SC6600A		EXR-1825	Secondary Motor Filter Without TOOLS
31	CO-45853	Circuit Breaker	60	NLA	Bag Cover U139A
32	NLA	PC Board - Performance Indicator U129B, U139A, SC6600A		NLA	Hose & Tool Caddy U139A, SC6600A
				E-62079-1	Hose W/Ratchet Wand U139A, SC6600A
33	NLA	Brushroll Dowel (Order E-62077-1)			
33A	NLA	Brushroll Assembly			
33A	EXR-2005***	Brushroll Assembly			
33A	PE-2005***	Brushroll Assembly Stiff Bristle			
34	EX-45124*	Bearing & Shaft Assembly			
34	EXR-6220**	Bearing & Shaft Assembly			
35	EX-46928	Lead Assembly U129B, U139A			
35	EX-45855	Lead Wire U136B			
35	NLA	Lead Wire Blue SC6600A			
36	NLA	Lead Assembly U129B, U139A, SC6600A			

GENUINE ELECTROLUX BRUSHROLL WILL ONLY ACCEPT GENUINE BEARING ASSEMBLY EX-45124.

NON-GENUINE ELECTROLUX BRUSHROLL DOWEL WILL ONLY ACCEPT NON-GENUINE BEARING ASS'Y EXR-6220

NON-GENUINE ELECTROLUX COMPLETE BRUSHROLL ASSEMBLIES AND EUREKA SC6600 SANITAIRE BRUSHROLL ASSEMBLIES SOLD SINCE OCTOBER 2003 DO NOT HAVE REPLACEABLE ENDS

NLA = No Longer Available