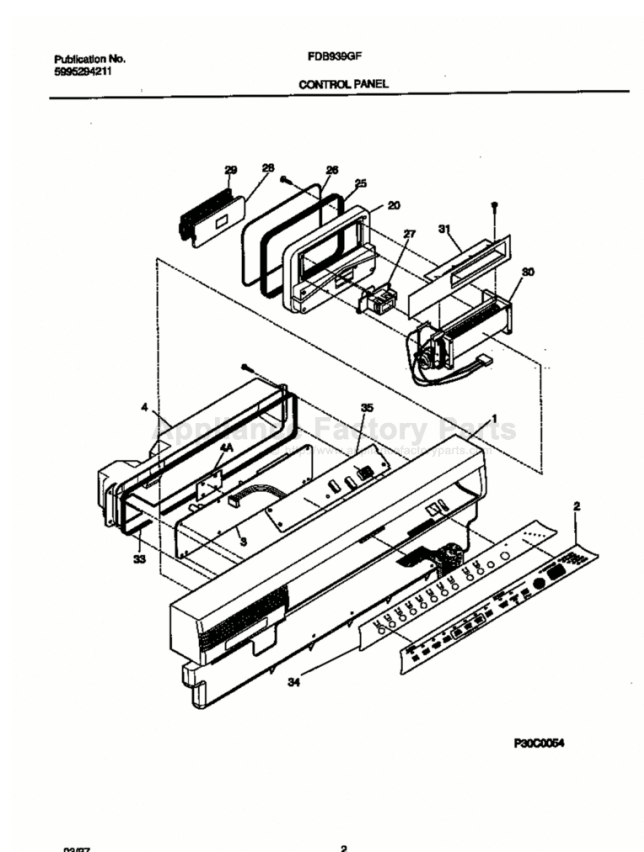


This Owner's Manual is provided and hosted by [Appliance Factory Parts](#).



# Electrolux FDB939GFB2 Owner's Manual

[Shop genuine replacement parts for Electrolux  
FDB939GFB2](#)

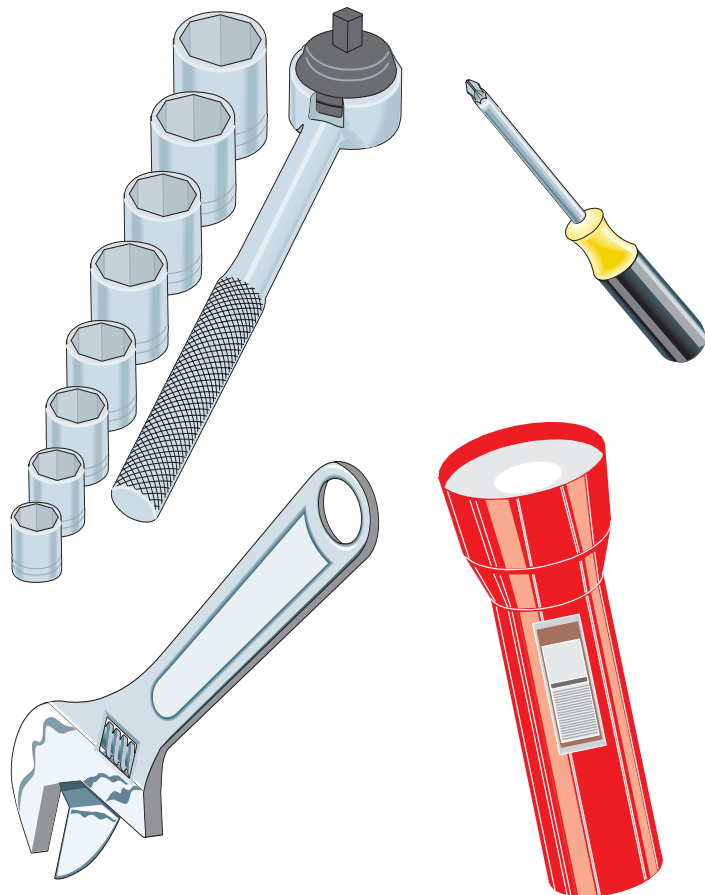


[Find Your Electrolux Dishwasher Parts - Select From 406 Models](#)

----- Manual continues below -----

# Dishwasher

## Installation Instructions



**INSTALLER:** Leave *Installation Instructions* with owner.

**OWNER:** Read your dishwasher *Use and Care Manual*. It contains important safety information for operating this appliance. It also has many suggestions for getting the best results from your dishwasher.

154309601

## Before You Begin

Read all instructions before installing dishwasher.

For your safety, please read and observe all safety instructions. This guide will help you anticipate drain, water, and electrical connections, and help you select the best location for the dishwasher.

## ⚠ WARNING

### Tip Over Hazard

Do not use dishwasher until completely installed.

Do not push down on open door.

## Parts You Will Need\* (Not Included)

- Drain Hose Clamp, 1<sup>1</sup>/<sub>4</sub>" Diameter
- Elbow, 90° with a 3<sup>3</sup>/<sub>8</sub>" National Pipe Thread
- Strain Relief Bushing
- Wire Nuts, two (2) for 12-14 gauge wire

### \* If required:

- Side Panel Kit (**See Step 3**)
- "Y" Branch Tailpiece and Connector Kit (**See Step 4**)
- Air Gap Kit (**See Step 6**)
- Fasteners for floor anchoring (**See Step 10**)

### Available at:

Dealer or Distributor  
Plumbing Supply  
Plumbing Supply  
Hardware Store

## ⚠ WARNING



### Electric Shock Hazard

Disconnect electrical power at the fuse box or circuit breaker box before beginning installation. Failure to follow this warning could result in death or serious injury.

- Examine dishwasher and locate connections. *See Step 1.*
- Locate dishwasher where there is easy access to water, and electrical lines. The best location is on the left side of the kitchen sink for access to existing plumbing in loading dishes. *See Step 4.*
- Electrical, water, and drain connections are not the same for all age, brands, or models of dishwashers. Check local codes and length of home utilities. *See Step 4.*
- A 15-20 amp, grounded, 120 volt AC only, electrical circuit is required. *See Steps 4 and 9.*
- If dishwasher drain hose will be connected to a floor drain for the first time, knock out plug located inside drain. *See Steps 4 and 6.*
- Kinked water or drain hoses can cause problems. Always remove drain hose from tub attachment. *See Step 4.*
- Dishwashers need to be connected to a hot water line. Make sure there is enough water pressure to insure an adequate fill. *See Steps 4 and 8.*
- Each home installation differs. You will need additional parts listed above to complete your installation. *See Step 1.*
- Flush water line prior to making the final connection to prevent clogging of dishwasher's filter screen. *See Step 4.*
- The dishwasher will look, sound, and perform best if properly leveled. *See Step 7.* (NOTE: If levelers are used during installation, make sure the floor is flat and free of obstruction.)
- Anchor the dishwasher to countertop. *See Step 10.*

## Installation Preparation

1. Remove two (2) screws at front of the kickplate as shown using a #2 Phillips screw driver.
2. Remove kickplate by pulling down to clear top mounting flange and then pull front from top. *See Figure 1.*