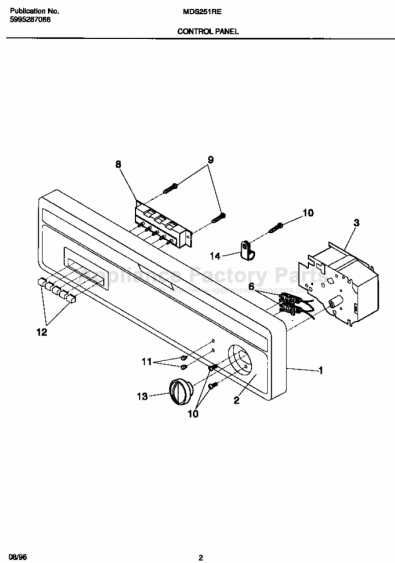


This Owner's Manual is provided and hosted by [Appliance Factory Parts](#).



Electrolux MDS251RER0 Owner's Manual

[Shop genuine replacement parts for Electrolux
MDS251RER0](#)



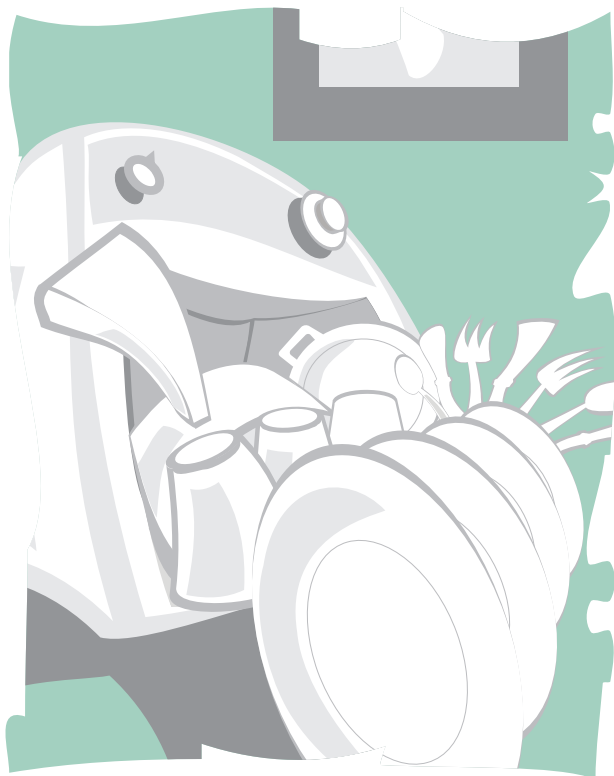
[Find Your Electrolux Dishwasher Parts - Select From 406 Models](#)

----- Manual continues below -----

Dishwasher

Use & Care Manual

18" Built-In & Portable



Record All Information For Future Reference

Brand: _____ Purchase Date: _____

Model #: _____

Serial #: _____
(see Features page for location)

Questions? 1-800-944-9044

(United States)

1-800-661-9913

(Canada)

Visit Frigidaire Company's
Web Site at
<http://www.frigidaire.com>

Product Registration Card

Please fill in completely, sign and return promptly!



Safety

Instructions 2



Features 3



Operating
Instructions 4-5



Preparing and
Loading Dishes 5-7



Dishwasher Dispenser
and Detergents 8



Factors Affecting
Performance 9



Care and
Cleaning 9-10



Connecting
Portable Dishwasher 11



Changing
Color Panels 12



Solutions to Common
Dishwasher Problems ... 13-14



Troubleshooting 14



Consumer Services

Warranty & Service 15-16

Versión en español 15



READ AND SAVE THESE INSTRUCTIONS

P/N 154232001 (9512)



Important Safety Instructions

Please read all instructions before using your dishwasher. Use your dishwasher only as instructed in this Use and Care Manual. Installation and grounding instructions are included with your new dishwasher for the installer's reference.

⚠ WARNING These situations may cause serious bodily harm, death or property damage.

- This dishwasher is designed to operate on regular house current (120 V, 60 Hz). Use a circuit equipped with a 15 ampere fuse or circuit breaker. Use a 20 ampere fuse if the dishwasher is connected with a food waste disposer.
- Do not operate dishwasher unless all enclosure panels are in their proper place. Shock may occur from exposed wires or electrical components.
- Dispose of discarded appliance and shipping or packing material properly.
- To avoid entrapment and/or suffocation, remove the door or door latch mechanism from any dishwasher that is discarded or otherwise not in use.
- Keep young children and infants away from the dishwasher when it is operating.
- To reduce the risk of injury, do not let children abuse, sit, stand or play on door or racks of a dishwasher.
- Do not wash plastic items unless marked "dishwasher safe" or the equivalent. Check with the manufacturer for recommendations, if not marked. Items that are not dishwasher safe may melt and create a potential fire hazard.
- To avoid accidental poisoning, store dishwasher detergents and rinse agents out of the reach of children.



- Always disconnect electrical power to the dishwasher before servicing.
- Repairs made by an untrained person can result in shock, or risk of injury, due to improper assembly or adjustment, or electrical hazards may develop.
- Under certain conditions, hydrogen gas may be produced in a hot water system that has not been used for 2 weeks or more. **HYDROGEN GAS IS EXPLOSIVE.** If the hot water system has not been used for such a period, before using the dishwasher, turn on all hot water faucets and let the water flow from each for several minutes. This will release any accumulated hydrogen gas. **HYDROGEN GAS IS FLAMMABLE.** Do not smoke or use an open flame during this time.

⚠ CAUTION These situations may cause bodily injury or property damage.

- Do not tamper with the controls. Any improper adjustments may subject the user to risk of injury or electrical shock.
- Load sharp knives with the handles up to reduce the risk of cut-type injuries.
- If the washing or drying cycle is interrupted, during or at the end of the cycle, the heating element may still be hot enough to cause a burn if it is touched.
- To prevent children from opening the dishwasher door, close and latch the door when not loading or unloading.
- Do not use this dishwasher for any purpose other than its intended use.

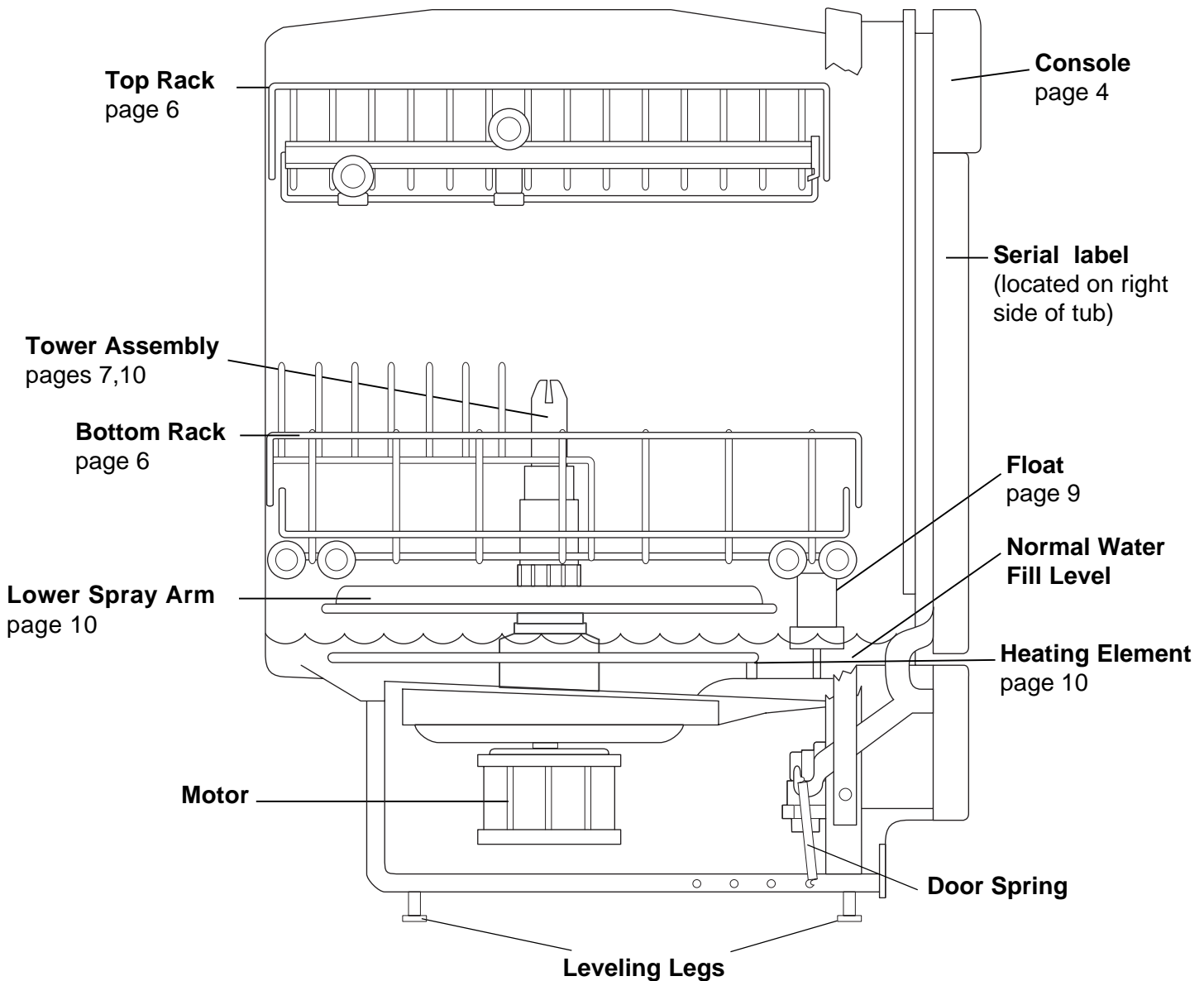
SAVE THESE INSTRUCTIONS

The instructions appearing in this Use & Care Manual are not meant to cover every possible condition and situation that may occur. Practice common sense and caution when installing, operating and maintaining any appliance.



Dishwasher Features

Your dishwasher, illustrated below, cleans by spraying a mixture of hot, clean water, and detergent against the soiled surfaces of your dishes and tableware. Each cycle starts with a pre-drain. Next, the dishwasher fills with water to a level even with the heating element. This water is constantly pumped through the rotating spray arm and center wash tower and sprayed onto the dishes. Soiled water is pumped out and replaced with clean water during a cycle. The number of water fills depends upon the cycle being used.





Operating Instructions



1. Load dishwasher following all directions on pages 5-7.
2. Before adding detergent, make sure dispenser cups are dry. Do not add detergent until you are ready to operate the dishwasher. Use only fresh automatic dishwasher detergent and a rinse aid for the best results. Detergent amounts may vary due to local water conditions. Refer to detergent chart on page 8 for details.
 - Add detergent.
 - Close lid to detergent cup.
 - The dispenser automatically releases detergent at the correct time during wash cycle.
3. Select WASH CYCLES for desired wash or rinse cycle. (See WASH CYCLE SELECTIONS.)
4. Push OPTIONS buttons desired. See ENERGY OPTIONS on page 5.
5. Turn dial clockwise to selected cycle.
6. See page 11 for instructions on connecting the portable dishwasher.
7. Open hot water faucet nearest dishwasher to clear cool water from water pipe. Turn off faucet.
8. To start, firmly close dishwasher door until it latches. The ON indicator light will glow throughout the wash, rinse and dry portions of cycle.

Wash Cycle Selections

Pots & Pans

(91 minutes) (8.8 gallons) (2 washes, 3 rinses, dry)
For pots, pans, casseroles and dinnerware with dried-on or baked-on soils:

1. Add detergent to both cups. Turn lid to cover larger cup.
2. Press POTS & PANS/HEAVY WASH button.
3. Select desired energy Options.
4. Turn dial to POTS & PANS.
5. To start, firmly close door.

Heavy Wash

(82 minutes) (7.0 gallons) (2 washes, 2 rinses, dry)
For heavily soiled dishes and silverware:

1. Add detergent to both cups. Turn lid to cover larger cup.
2. Press POTS & PANS/HEAVY WASH button.
3. Select desired energy Options.
4. Turn dial to HEAVY WASH.
5. To start, firmly close door.

Normal Wash

(73 minutes) (5.3 gallons) (2 washes, 1 rinse, dry)
For regularly soiled dishes and silverware:

1. Add detergent to both cups. Turn lid to cover larger cup.
2. Press NORMAL WASH/LIGHT WASH button.
3. Select desired energy Options.
4. Turn dial to NORMAL WASH.
5. To start, firmly close door.

Light Wash

(64 minutes) (3.5 gallons) (1 wash, 1 rinse, dry)
For lightly soiled or pre-rinsed dishes and silverware:

1. Add detergent to larger detergent cup and turn lid to cover.



Operating Instructions continued

2. Press NORMAL WASH/LIGHT WASH button.
3. Select desired energy Options.
4. Turn dial to LIGHT WASH.
5. To start, firmly close door.

Rinse/Hold

(14 minutes) (1.6 gallons) (1 rinse)

For rinsing dishes that will be washed later:

1. DO NOT USE detergent.
2. Press NORMAL WASH/LIGHT WASH button.
3. Select COOL DRY Option.
4. Turn dial to RINSE/HOLD.
5. To start, firmly close door.

Energy Options

Water Heat Option

When WATER HEAT Option is selected, the heating element in bottom of tub will raise the main wash water temperature to approximately 140°F. Wash action will continue but timer will not advance until this water temperature has been reached. The hotter water provided by this option helps activate dishwasher detergent to clean food grease and soil from dishes. WATER HEAT Option can be used with any cycle except RINSE/HOLD.

The Water Heating light will glow until the water temperature reaches 140°F. To turn off option press RESET OPTIONS.

Cool Dry Option

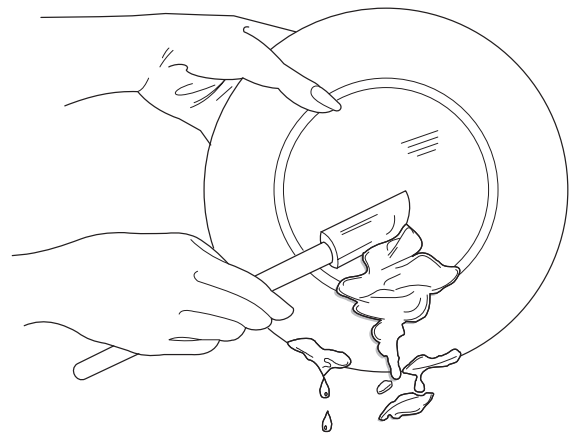
COOL DRY Option saves electricity. The heating element stays off during drying portion of cycle. Additional drying time may be required, with door open, to completely air dry dishes. Some water droplets may remain on door and in areas where dishes touch dishwasher basket or rack.

To turn COOL DRY Option off and select a heated drying cycle, push the RESET OPTIONS button. If COOL DRY Option is not selected, a heated drying cycle is automatically provided. COOL DRY Option must be selected with the RINSE/HOLD cycle.

The drying option may be changed at any time during the cycle and effects only the drying period.



Preparing and Loading Dishes



Dish Preparation

It is not necessary to rinse dishes before putting them into the dishwasher. Just remove large pieces and quantities of food, bones, pits, etc. Empty glasses and cups. It may be necessary to presoak or lightly scour firmly cooked-on or baked-on foods.

Foods such as mustard, mayonnaise, vinegar, lemon juice and tomato-based products may cause discoloration of stainless steel and plastics if allowed to sit for a long period of time. Unless the dishwasher is to be operated at once, it is best to rinse off these food soils.

- Load dishes facing the center of the rack so that the water spray from the rotating spray arm and center wash tower can reach soiled surfaces.
- Be sure large items do not block the detergent dispenser, preventing it from opening during the wash cycle.
- To be sure an item is dishwasher safe, read the manufacturer's care instructions.
- If the dishwasher drains into a food disposer, be sure disposer is completely empty before dishwasher is started.
- To save energy, wash full loads.
- For best washing results, load correctly and avoid overloading.



Preparing and Loading Dishes continued

Loading the Top Rack

Glasses and cups—Place glasses and cups against outside pins at an angle. Cups with a concave bottom will collect water.

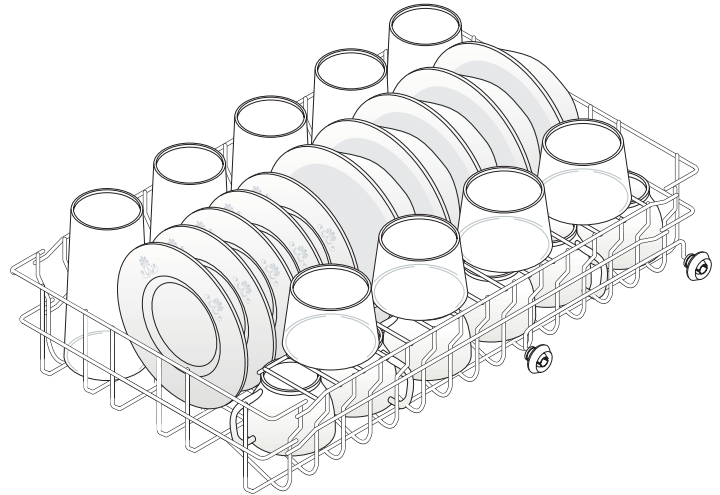
Small plates and saucers—Place dishes between middle two rows of pins.

Plasticware—Load plasticware in the top rack to avoid melting.

Bowls—Place bowls between the middle 2 rows of pins facing down.

Miscellaneous items—Place long handled knives and utensils in top rack.

Cup Shelf—The cup shelf can be folded down over short items (juice glasses, cups, etc.) for more loading space. When using cup shelf, alternate items with layer below so that water can reach all inside surfaces.

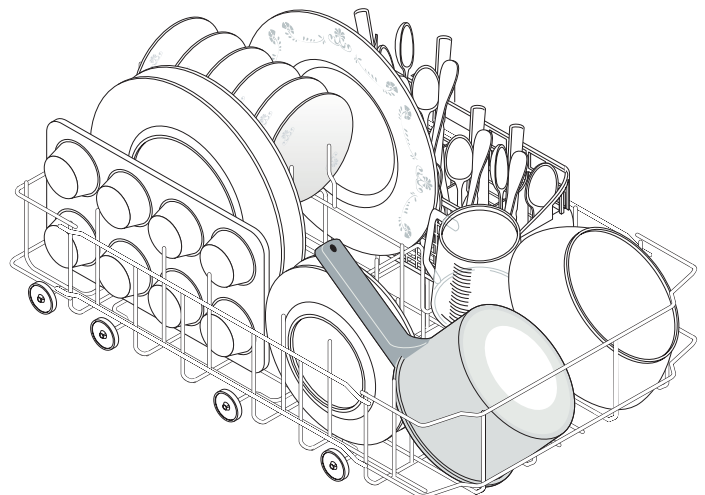


Loading the Bottom Rack

Large plates and platters—Place between the support pins with soiled sides facing inward.

Bowls, casseroles and sauce pans—Load upside down or at an angle facing inward. Slightly tilting items will provide better drainage.

Pots and pans—Place upside down and at an angle. Do not allow handles to protrude through bottom of rack, blocking wash arm rotation. Load large items at the sides and not across the front so they do not block the detergent dispenser preventing it from opening.

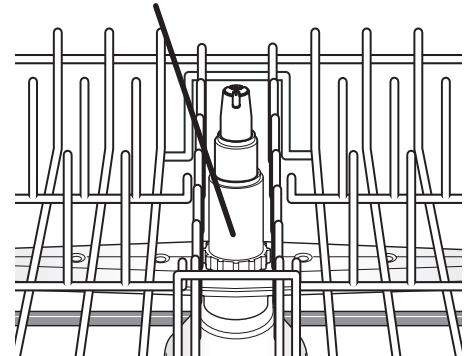




Preparing and Loading Dishes continued

DO NOT block the center area of the lower rack when loading. Because the center wash tower extends through this area, blockage may result in poor cleaning.

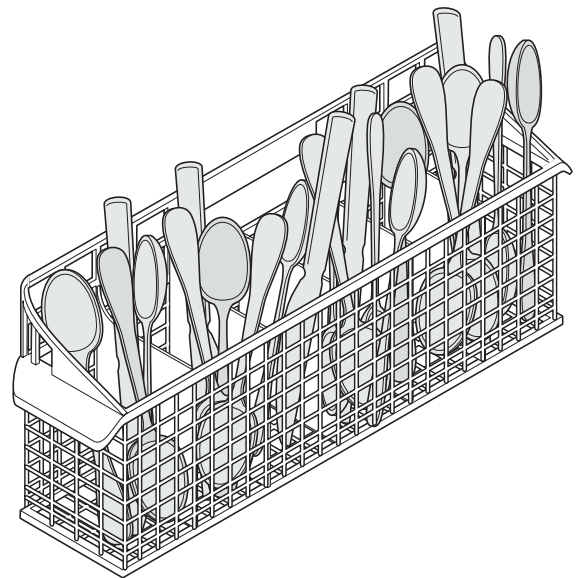
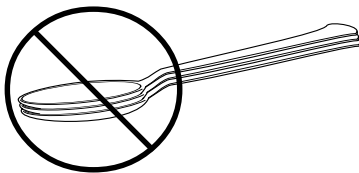
Do NOT block center area.



Loading the Silverware Basket

Load sharp items with handles up. Be sure items do not protrude through the holes in the basket and stop the rotation of the spray arm.

Load silverware so items are mixed in each section to prevent nesting. Water spray cannot effectively reach nested items.



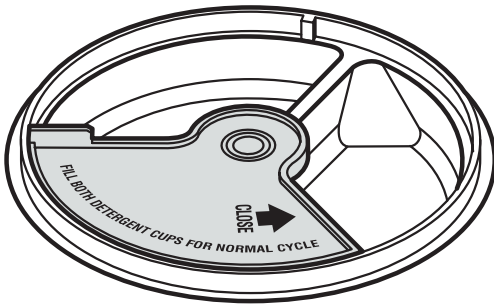
Adding a Dish

1. Make sure there is a full wash cycle yet to be completed so that any added items are thoroughly washed and rinsed.
2. Unlatch door and wait for water action to stop.
3. Open door and add dish.
4. Firmly close door to latch and resume cycle.



Dishwasher Dispenser & Detergents

Dishwasher detergents contain ingredients to clean dishes, protect metal and china, soften hard water and prevent foaming and oversudsing. Laundry and other types of detergents and soaps will oversuds and may cause water to overflow onto kitchen floor. Use only fresh automatic dishwasher detergent. Store detergent in a cool, dry location because moist or caked detergent will not dissolve properly.



Before adding detergent, make sure dispenser cups are dry and dishwasher is ready to be turned on.

The amount of detergent to use depends on water hardness. Usually a moderate water hardness will require 2 tablespoons of detergent per detergent cup. Refer to Detergent Chart and follow directions on package.

Using too little detergent can result in poor cleaning or drying and hard water filming or spotting.

Using too much detergent in soft water or softened hard water can cause an etched film on glassware. To prevent this, check water softness with your local water company. Use less detergent (but not less than 1 tablespoon per cup) and do not overload dishwasher.

If detergent is labeled *concentrated* use 1/2 normal amount. Fill detergent dispenser to halfway line in cup.

Low Phosphate Detergents

More detergent may be needed for dishwashing if detergent contains 8.7% or less phosphate. Phosphate content is shown on side of detergent box.

Detergent Chart	
Water Hardness	Amount per Cup
Soft (0 - 3.5 grains per gallon)	1 Tablespoon
Moderately Hard (3.6 - 7.0 grains per gallon)	2 Tablespoons
Hard (7.1 - 10.5 grains per gallon)	Fill cup full of detergent.
Very Hard (10.6 and over grains per gallon)	Detergent alone may not be enough. Water softener recommended.

Rinse Aids

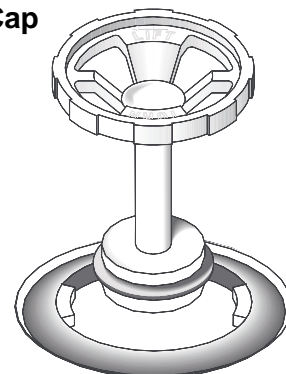
Using a rinse aid helps water to “sheet” or run off dishes. Rinse aids work to prevent water droplets from forming on drying surface and promote faster drying.

The liquid rinse aid dispenser is located on the inside of the door and automatically releases a measured amount of rinse aid during the last rinse.

To add liquid rinse aid:

1. Turn dispenser cap 1/4 turn counterclockwise and lift out.
2. Pour in rinse aid until liquid touches the white cross at bottom of fill opening.
3. Reinsert cap.
4. Refill approximately once a month.

Dispenser Cap

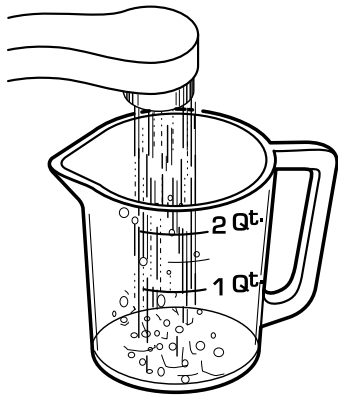




Factors Affecting Performance

Water Pressure

Water pressure should be between 15 and 120 pounds per square inch. Low water pressure occurs most often during periods of high water consumption, such as when laundry or showers are being done. To determine if you have enough water pressure, put a 2 quart container under fully opened hot water faucet nearest the dishwasher. It should fill in less than 14 seconds. Be sure all other faucets are turned off during test.



Water Temperature

Hot water is needed for best dishwashing and drying results. Water entering dishwasher must be at least 120°F to give satisfactory results. Improved performance may be obtained by raising water temperature to 140°F. Water temperature should not exceed 160°F. Check your water heater for proper temperature.

To check water temperature entering dishwasher, turn on hot water faucet nearest dishwasher for several minutes to clear cool water from water pipes. Place a glass under faucet and use a candy or meat thermometer to check temperature of the water collected.

Important: Before starting a cycle, clear cool water from pipe.

Do not operate the dishwasher during or just after other heavy use of hot water, such as laundry or bathing.



Care and Cleaning

CAUTION To prevent injury, allow dishwasher to cool before cleaning. Be careful when cleaning around the pump area because there may be glass fragments from broken glass items.

Outside—Occasionally wash with a mild nonabrasive detergent and water. Rinse and dry.

Inside—The inside of the dishwasher is self-cleaning with normal use.

If hard water causes lime deposit buildup, clean using the following instructions:

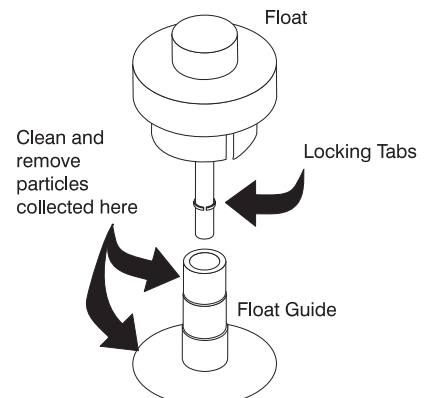
1. After dishwasher begins to fill, open door and pour 2 cups of white vinegar into dishwasher. **Do not add dishes or detergent.**
2. Run through any full wash cycle.

If it is felt that further interior cleaning is needed, general household spray cleansers are recommended. Follow manufacturer's directions.

Important: The dishwasher motor is permanently lubricated at the factory and does not need to be oiled.

Float—is used to measure water level in dishwasher. Refer to *Dishwasher Features* on page 3 for exact location.

- Clean float with household cleanser containing vinegar or bleach to dissolve any buildup. Cleaning will prevent float from sticking and stopping a water fill or allowing dishwasher to overflow.
- Pull up firmly to lift float out. Clean around areas shown in illustration.
- To replace float, push down until float locks into place.
- Float should move up and down freely about one inch when replaced on tube.





Care and Cleaning continued

Vacation Time

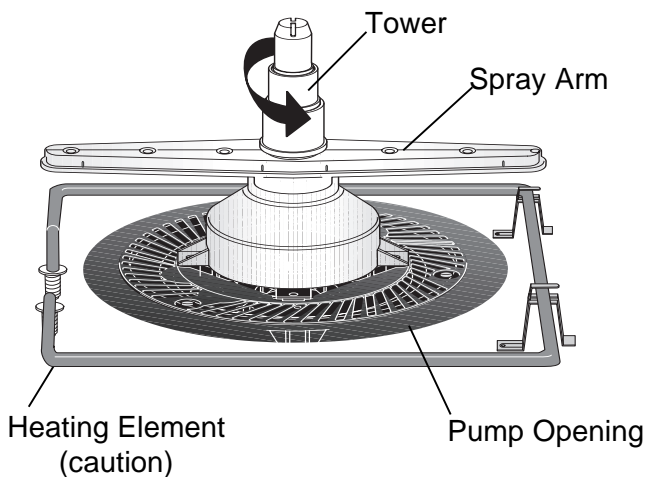
If your dishwasher will not be used for more than one week, turn off water supply to dishwasher. Turn dishwasher circuit breaker to "OFF" position.

Care of Drain Air Gap

If a drain air gap was installed for your built-in dishwasher, check to make sure it is clean so the dishwasher will drain properly. Drain air gaps are usually mounted on countertop and can be inspected by removing the cover. A drain air gap is not part of your dishwasher and is not covered by this warranty.

Cleaning the Pump and Spray Arm

Your dishwasher will flush away all normal food soils. However, objects (bones, fruit pits, etc.) may collect in openings and should be removed periodically to avoid clogging drain system.



CAUTION To prevent personal injury, allow dishwasher to cool before cleaning. Be careful when cleaning around the pump area. There may be glass fragments from broken glass items.

1. Remove tower base by turning counterclockwise.
2. Remove locknut and spray arm.
3. Clean out spray arm holes.
4. Clean in and around pump openings.
5. Replace spray arm and securely tighten locknut. Spray arm should rotate freely.
6. Replace tower base.

Winterizing

A dishwasher that will not be used for an extended length of time or is located where temperatures may fall below freezing must be winterized.

Winterizing the Built-in Dishwasher

1. Turn off water supply.
2. Pour one gallon of nontoxic RV or Marine water system antifreeze (available from a hardware or recreational vehicle store) into bottom of tub.
3. Set for any wash cycle. Close door. Allow dishwasher to run for 3 minutes to distribute antifreeze into dishwasher's water system.

Before unit is put back into use, antifreeze must be removed. To remove, fill all detergent cups with dishwasher detergent and operate through a complete normal cycle *without* dishes.

Winterizing the Portable/Convertible Dishwasher

1. Connect coupler and hose assembly to faucet. **Do not** turn on water.
2. Plug the electrical cord into a properly grounded electrical outlet.
3. Pour one gallon of nontoxic RV or Marine water system antifreeze (available from a hardware or recreational vehicle store) into bottom of tub.
4. Set for any wash cycle. Close door. Allow dishwasher to run for 3 minutes. This will distribute antifreeze into dishwasher's water system.
5. Unplug the electrical cord.
6. Disconnect hoses from water supply and drain water from hoses. Return hoses to storage compartment.

Before unit is put back into use, antifreeze must be removed. To remove, fill all detergent cups with dishwasher detergent and operate through a complete normal cycle *without* dishes.

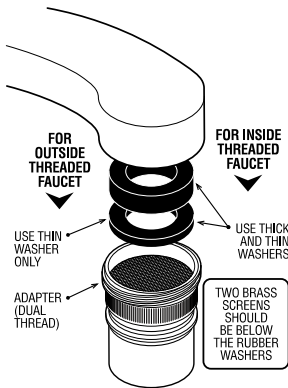


Connecting and Disconnecting the Portable/Convertible Dishwasher

The portable/convertible dishwasher must be connected to a faucet and electrical outlet each time it is used. Follow directions on this page to properly connect dishwasher.

IMPORTANT: Make sure door is latched before moving dishwasher.

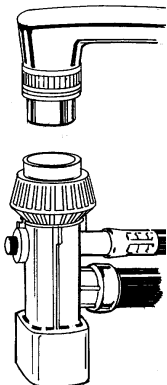
Faucet Adapter Assembly (Figure A)



The power cord, faucet coupler and hoses are located in a compartment in back of dishwasher. A special adapter must be installed on faucet before you can connect dishwasher (Figure A).

1. Remove faucet adapter assembly from literature package.
2. Unscrew existing sink faucet aerator.
3. Check faucet spout to see if threads are inside or outside.
 - If threads are on *inside* of faucet spout, use both thick and thin rubber washers.
 - If threads are on *outside* of faucet spout, use thin rubber washer only.
 - If faucet has no threads, an adapter kit with instructions for attachment to a non-threaded spout is available at most hardware stores.
4. Assemble faucet spout as shown in Figure A. Make sure the two brass screens are located below the rubber washers.

Connecting the Portable Faucet Adapter Assembly (Figure B)



Connecting the Portable/Convertible Dishwasher

1. Run water at faucet until it is hot. Turn off faucet.
2. Pull hoses out of compartment.
3. Push collar down and slip faucet connector onto faucet adapter (Figure B).
4. When connector snaps into place, release collar.
5. Slowly turn on hot water all the way.
6. Plug power cord into grounded outlet.

Disconnecting the Portable/Convertible Dishwasher

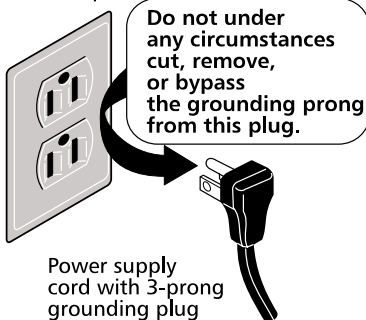
1. When cycle has finished, turn off hot water.
2. Press red button on coupler to release water pressure.
3. Press down on collar to release coupler.
4. Empty remaining water from coupler and return it to compartment.
5. Unplug power cord and return it to compartment.

IMPORTANT: A sink spray hose can burst due to constant water pressure while in use. If your spray hose is installed on same water line as the dishwasher, it is your responsibility to disconnect sink's spray hose and to plug hole.

Electrical Connection for a Portable/Convertible Dishwasher

An electrical supply of 120 volts, 60 Hz, AC only, 15 amps is required. For your safety, the dishwasher must be grounded. If there is a malfunction or breakdown, grounding will reduce risk of electrical shock. This dishwasher has a power cord with a 3-prong grounding plug. It must be plugged into a mating 3-prong grounding type receptacle, installed and grounded in accordance with the National Electrical Code and any local codes and ordinances.

Grounding type wall receptacle



⚠ WARNING Avoid fire hazard or electrical shock. Do not use an adapter plug, extension cord or remove grounding prong from electrical power cord. Failure to follow this warning can cause serious injury, fire or death.

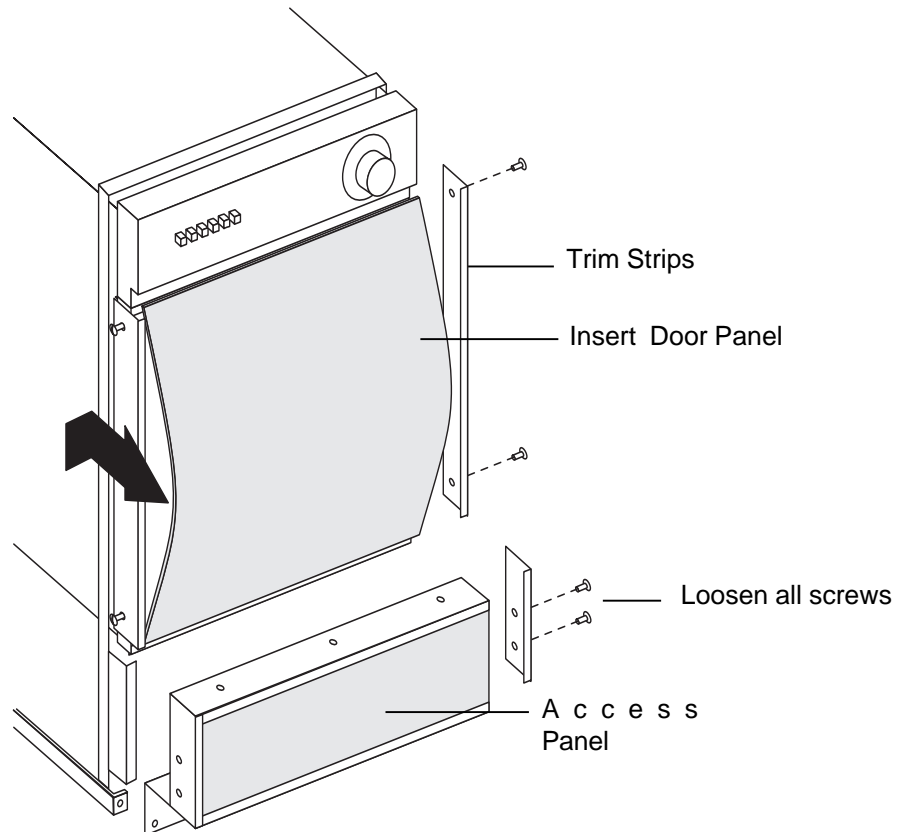


Changing Color Panels

Installing Reversible Door and Access Panels

Some models are equipped with reversible door and access panel inserts that offer three decorative colors.

⚠ WARNING To prevent electrical shock, disconnect electrical power supply to dishwasher before changing panel.



To change exposed color panel:

1. Remove trim strip from one side of the door panel. Loosen but do not remove screws from trim strip on remaining side.
2. Remove trim strip from one side of access panel. Loosen but do not remove screws from trim strip on remaining side.
3. Slide insert panels out of frame. Position color panel of choice to outside and replace panel in frame.
⚠ CAUTION To avoid injury, handle insert panels carefully as edges may be sharp.
4. Be sure edges of insert panels are under trim strips on opposite side. Press strips tightly against panels before securing screws. Replace trim strips.

Installing a Wood Panel Trim Kit

A panel of up to 3/16 " thickness may be used in place of the aluminum insert panels furnished with your dishwasher. A kit containing trim and instructions for adding decorative wood panels is available from your local dealer or distributor.

Door and Access Panel Dimensions

Door Panel: 17 7/16" x 17 5/16"

Access Panel: 17 7/16" x 6 1/2 "



Common Dishwashing Problems and Solutions

Dishes not clean—Check pages 4 to 9 for information on correct wash cycle, proper loading, water temperature, water pressure, hard water, amount of detergent, old and ineffective detergent, and dish placement.

Dishes not drying can be greatly improved by using a rinse aid and very hot water. Hot water raises temperature of dishes to speed up drying. When loading, invert cups and bowls so that water can run off. Avoid nesting of articles. If dishes are not completely dry at end of cycle (which may occur when COOL DRY setting is used), open door, roll out racks, and allow dishes to air dry.

Spotting—Spots form when hard water droplets evaporate leaving a deposit. Low phosphate detergents increase the problem in hard water. To prevent, use hot water and a detergent with a higher level of phosphates (preferably 8.7% or higher), or use more of a low phosphate detergent. Be sure to use a rinse aid. If water is very hard, it may be necessary to install a water softener. Load glasses and plates so they have minimum contact with racks and pins. Avoid overloading. Spotting will occur where dishes and glasses touch.

Cloudy films and streaking are usually caused by a combination of hard water and an insufficient amount of detergent. Low phosphate detergents are also a factor. To correct, increase amount of detergent, check water temperature and always use a rinse aid. If water is very hard, it may be necessary to install a water softener.

Etched film on glassware is caused by using too much detergent in soft or softened water. This film cannot be removed. It is more likely to occur on soft leaded glass or expensive crystal. An early warning of this condition is a cloudy iridescent appearance on glasses. To prevent, be sure dishwasher is getting a full fill of water. Water should reach base of heating element. If water level is low, have water pressure checked by a plumber. Use less detergent and make sure water temperature is not higher than 150°F (66°C). Underload to assure thorough rinsing. Use the COOL DRY Option.

Chipped dishes and glasses can result from rough handling and improper loading. Do not put glasses in direct contact with other items. Place glasses securely against pins.

Crazing of older china and pottery happens when items are subjected to very hot water. Once crazing (fine cracks in the glaze) appears, it cannot be removed. Do not machine wash again or condition may worsen.

Coffee and tea stains can occur when water contains traces of iron. To avoid stains, rinse cups out immediately after use. Increase amount of detergent and use a rinse aid. Water temperature should be approximately 140°F (60°C). If problem persists, install a water softener with an iron removal unit. To remove stains, hand wash cups in solution of 1/2 cup (120 ml) bleach and a quart (1 L) of warm water. Rinse thoroughly.

Gray-black stains on dishes are caused by manganese in water supply. To correct, install a manganese filtering system into house water supply.

Reddish-brown stains on dishes, glasses and interior are caused by iron in water. To avoid iron stain, increase detergent, use water heated to approximately 140°F (60°C) and a rinse aid. It may be necessary to install a water softener with an iron removal unit. To improve appearance, use a commercial rust and lime scale remover.

Plastic items can lose their shape due to high temperatures of automatic dishwashing. Read labels before washing. Place washable items in top rack away from heating element.

Discoloration of plasticware by some foods, such as tomato sauce, can stain plasticware. If stained, soak item in solution of 1 tablespoon dishwasher detergent and a quart of hot water or in a solution of 1/2 cup (120 ml) bleach and a quart (1 L) of hot water.

Fading of patterns and metallic trim is due to many washings, detergent and hot water. Most of today's china is dishwasher safe. Most antique, handpainted china, and handpainted pottery should be washed by hand.



Common Dishwashing Problems and Solutions continued

Do not place silver next to or touching stainless steel utensils in dishwasher silverware basket. This can cause pitting of stainless steel blades. (Most silver knives have stainless steel blades. Do not let blades touch other stainless steel utensils during wash cycle.)

Tarnish on Silver plate occurs when worn down to the base metal and turns a bronze color when exposed to hot water and detergent. Remove bronzing by soaking item in vinegar for 10 minutes or use a silver polish. For permanent protection, have silver replated.

Silver tarnish can be caused by prolonged contact with air or with foods containing sulphur like eggs, mayonnaise, or seafood. Contact with undissolved detergent can also cause tarnish. To prevent this, rinse silver soon after use. Use care not to pour detergent directly onto silver. Remove tarnish with a silver polish.

Discoloration of stainless steel—Food soil can create a film or discoloration. To avoid, rinse stainless items promptly. Food soil films can be removed with a stainless steel cleanser or mild cleanser. Rinse thoroughly.

Pitting of Stainless Steel is caused by prolonged contact with detergent granules and foods like salt, mayonnaise, fruits, butter or milk. To prevent, rinse soon after use. Do not allow detergent to fall directly onto stainless steel items.

Discoloration of aluminum—Anodized (colored) aluminum cannot withstand machine washing. Resulting loss of color is permanent. Other aluminum may darken when machine washed. To decrease chance of discoloration, do not place aluminum directly beneath detergent dispenser. To brighten darkened items, scour with soap filled steel wool pads. For severely darkened pans, simmer an acidic food or a solution of 2 teaspoons (10 ml) cream of tartar per quart (1 L) of water for 1/2 hour. Scour with soap filled steel wool pad, rinse and dry.

Knife handles become loose when the cement is exposed to very hot water. Test wash a single knife for several weeks. Damaged knives should be professionally re-cemented.



Troubleshooting

Before calling for service, review this list. It may save you both time and expense. This list includes common experiences that are not the result of defective workmanship or material.

Noise problems?

It is normal to hear swishing and pulsating sounds. These sounds mean that water is circulating through the dishwasher.

It is normal to hear motor sounds before water enters tub.

Loud ticking usually means something is hitting wash arm. See **Preparing and Loading Dishes**.

Vibrating or rattling sounds can mean dishes are touching each other. See **Preparing and Loading Dishes**.

Operating problems?

Be sure door is firmly closed. It is normal for dishwasher to pause between cycles.

Leaking?

Check for items sticking out of dishwasher that could prevent door from closing and sealing properly. Use only fresh granular dishwashing detergent to avoid oversudsing.

Water coming through door vents? When a dish is added after starting dishwasher, wait a few seconds before latching door. This permits entering cold air to expand slowly inside dishwasher.

Dishes not dry?

Check to see if rinse aid dispenser needs refilling. Hot water temperature may be too low (min. 120°F (49°C)). If COOL DRY Option is being used, additional drying time may be required with door open.

Water in tub?

A small amount of water in bottom of tub is normal. It keeps water seal lubricated.

Detergent left in cup?

Detergent may be too old. Discard old detergent. Use fresh detergent.

Dishes may not be loaded properly. Be sure items do not protrude from front of bottom rack preventing detergent cup from opening.



Consumer Services Dishwasher Warranty

Your appliance is warranted by White Consolidated Industries, Inc. WCI has authorized Frigidaire Consumer Services and their authorized servicers to perform services under this warranty. WCI authorizes no one else to change or add to any of these obligations under this warranty. Any obligations for service and parts under this warranty must be performed by Frigidaire Consumer Services or an authorized Frigidaire servicer.

	WARRANTY PERIOD	WCI, THROUGH ITS AUTHORIZED SERVICERS WILL:	THE CONSUMER WILL BE RESPONSIBLE FOR:
FULL ONE-YEAR WARRANTY	One year from original purchase date.	Pay all costs for repairing or replacing any parts of this appliance which prove to be defective in materials or workmanship.	Costs of service calls that are listed under NORMAL RESPONSIBILITIES OF THE CONSUMER.*
EXTENDED LIMITED SECOND-YEAR WARRANTY	Second year after original purchase date.	Replace any parts in the Water Distribution System which fail because of a manufacturing defect. This includes the motor, pump, lower wash arm and soft or hard food disposer on all models, plus the wash tower, upper spray arms with associated supply tube, and filter assembly on models including these features. Associated inlet and drain plumbing parts are not covered by this warranty.	Costs for pick up and delivery of the appliance required because of service. Costs for labor and transportation.
LIMITED 2ND - 10TH YEAR WARRANTY	Second through tenth years from original purchase date.	Provide a replacement tub or door liner if the original tub or door liner fails to contain water because of a manufacturing defect. Door seals are not included.	Costs for pick up and delivery of the appliance required because of service. Costs for labor and transportation.
LIMITED WARRANTY (Applicable to the State of Alaska)	Time periods listed above.	All of the provisions of the full and limited warranties above and the exclusions listed below apply.	Costs of the technician's travel to the home and any costs for pick up and delivery of the appliance required because of service.

*NORMAL RESPONSIBILITIES OF THE CONSUMER

This warranty applies only to products in ordinary household use, and the consumer is responsible for the items listed below:

1. Proper use of the appliance in accordance with instructions provided with the product.
2. Proper installation by an authorized servicer in accordance with instructions provided with the appliance and in accordance with all local plumbing, electrical and/or gas codes.
3. Proper connection to a grounded power supply of sufficient voltage, replacement of blown fuses, repair of loose connections or defects in house wiring.
4. Expenses for making the appliance accessible for servicing, such as removal of trim, cabinets, shelves, etc., which are not a part of the appliance when it was shipped from the factory.
5. Damages to finish after installation.
6. Replacement of light bulbs and/or fluorescent tubes (on models with these features).

EXCLUSIONS

This warranty does not cover the following:

1. CONSEQUENTIAL OR INCIDENTAL DAMAGES SUCH AS PROPERTY DAMAGE AND INCIDENTAL EXPENSES RESULTING FROM ANY BREACH OF THIS WRITTEN OR ANY IMPLIED WARRANTY.
Note: Some states do not allow the exclusion or limitation of incidental or consequential damages, so this limitation or exclusion may not apply to you.
2. Service calls which do not involve malfunction or defects in workmanship or material, or for appliances not in ordinary household use. The consumer shall pay for such service calls.
3. Damages caused by services performed by persons other than authorized Frigidaire servicers; use of parts other than Frigidaire Genuine Renewal Parts; obtained from persons other than such servicers; or external causes such as abuse, misuse, inadequate power supply or acts of God.
4. Products with original serial numbers that have been removed or altered and cannot be readily determined.

IF YOU NEED SERVICE

Keep your bill of sale, delivery slip, or some other appropriate payment record. The date on the bill establishes the warranty period should service be required. If service is performed, it is in your best interest to obtain and keep all receipts. This written warranty gives you specific legal rights. You may also have other rights that vary from state to state. Service under this warranty must be obtained by following these steps, in order:

1. Contact Frigidaire Company Consumer Services or an authorized Frigidaire servicer.
2. If there is a question as to where to obtain service, call or write our Consumer Affairs Department at:
Frigidaire
P.O. Box 7181,
Dublin, Ohio 43017
(800) 944-9044

Product features or specifications as described or illustrated are subject to change without notice. All warranties are made by White Consolidated Industries, Inc. This warranty applies only in the 50 states of the U.S.A. and Puerto Rico.

Versión en español

Si desea obtener una copia en español de este Manual del Usuario, sírvase escribir la dirección que se incluye a continuación. Solicite la P/N 154241001 (9512).

Spanish Owner's Guides
Frigidaire Company
P. O. Box 9061
Dublin, Ohio 43017-0961



Consumer Services

Dishwasher Warranty — Canada

WARRANTOR:

Frigidaire Canada
866 Langs Drive
Cambridge, Ontario
N3H 2N7

This dishwasher is a branded product of Frigidaire Canada.

WARRANTY PERIOD:

For the first year after purchase by the original consumer/owner:

For the second and third year after purchase by the original consumer/owner:

For the second through tenth year after purchase by the original consumer/owner.

For the useful life of the dishwasher by the original consumer/owner.

WARRANTY APPLIES TO:

- a) Products purchased and installed in Canada for personal single family household use.
- b) Defects resulting or arising out of the manufacturing process.
- c) Products bearing legible manufacturer's model and serial numbers.
- d) Replacement parts only for the remainder of the original warranty.

WARRANTY DOES NOT APPLY TO:

- a) Transportation damage.
- b) Supply and replacement of porcelain, fuses, glass and light bulbs.
- c) Parts and service supplied or obtained from other than FRIGIDAIRE PARTS AND SERVICE or FRIGIDAIRE PARTS AND SERVICE authorized depots.
- d) Damage or failure as the result of abuse, improper or commercial use.

CONSUMER/OWNER RESPONSIBILITY:

- a) To provide proof of the original date of purchase by means of a bill of sale or payment record verifying purchase date.
- b) To pay all costs to make the appliance readily accessible for service.
- c) To ensure proper power supply and connection of the appliance to same.
- d) Proper installation, control setting and care of finish.

This warranty is in addition to any statutory warranties contained in any applicable legislation. The terms and conditions of this warranty are not intended to exclude or limit your rights under those statutes. The warrantor however reserves the right to charge transportation and travelling costs for distances in excess of 48 kilometres (30 miles) from the nearest FRIGIDAIRE PARTS AND SERVICE authorized service depot.

This warranty plus the statutory warranties mentioned are the only warranties given to the consumer/owner for this product.

For service under this warranty, contact your local dealer/retailer, authorized FRIGIDAIRE PARTS AND SERVICE depot, or:

FRIGIDAIRE PARTS AND SERVICE

P.O. Box 210
Guelph, Ontario
N1H 6K2
Tel.: (519) 822-3420
Fax: (519) 822-2188

WARRANTOR WILL THROUGH ITS AUTHORIZED SERVICE DEPOT:

Pay all costs to repair or replace any defective parts.

Pay all costs (excluding labour) to repair or replace defective heating element and water distribution system including the motor, pump, lower wash arm, tower, wash arm support, and soft food disposer, plus the upper spray arm and filter assembly on some models.

Pay all costs (excluding labour) to repair or replace a defective inner door liner arising out of the manufacturing process.

Pay all costs (excluding labour) to repair or replace a defective polypropylene tub arising out of the manufacturing process.



Service à la clientèle

Lave-Vaisselle Garantie — Canada

GARANT:

Frigidaire Canada
866 Langs Drive
Cambridge, Ontario
N3H 2N7

Ce lave-vaisselle est un produit qui porte l'une des marques de Frigidaire Canada.

DURÉE DE LA GARANTIE:

La première année suivant la date d'achat par le consommateur/propriétaire initial:

La deuxième et la troisième années suivant la date d'achat par le consommateur/propriétaire initial:

La seconde à la dixième année suivant la date d'achat par le consommateur/propriétaire initial.

Pendant la durée en service utile du lave-vaisselle employé par le consommateur/propriétaire initial:

LA GARANTIE S'APPLIQUE:

- Aux produits achetés et installés au Canada pour l'usage personnel d'une seule famille.
- Aux défauts dus ou consécutifs à la fabrication.
- Aux produits portant un numéro de modèle et un numéro de série du fabricant, lisibles.
- Aux pièces de rechange seulement pendant la durée de la garantie initiale qui reste à courir.

LA GARANTIE NE S'APPLIQUE PAS:

- Aux dommages causés par le transport.
- À la fourniture ni au remplacement des pièces en porcelaine et en verre, ni aux fusibles et ampoules.
- Aux pièces ni au service fournis ou obtenus par d'autres que FRIGIDAIRE – PIÈCES ET SERVICE ou un dépositaire de service autorisé par FRIGIDAIRE – PIÈCES ET SERVICE.
- Aux dommages ni aux défaillances résultant d'usage abusif, incorrect ou commercial.

RESPONSABILITÉ DU CONSOMMATEUR/PROPRIÉTAIRE:

- Fournir la preuve de la date originale d'achat au moyen d'une facture ou d'une justification du paiement faisant état de la date d'achat.
- Payer tous les frais nécessaires pour que l'appareil soit accessible pour être réparé.
- Assurer une alimentation électrique suffisante et le raccordement de l'appareil à celle-ci.
- Installation adéquate, réglage exact des commandes et entretien du fini.

Cette garantie est en sus de toute garantie légale contenue dans toute législation applicable. Les conditions de cette garantie ne sont pas destinées à exclure ou à limiter vos droits en vertu de ces lois. Le garant se réserve toutefois le droit de facturer les frais de transport et de déplacement lorsque la distance est supérieure à 48 kilomètres (30 milles) du dépositaire de service autorisé par FRIGIDAIRE – PIÈCES ET SERVICE le plus proche.

Cette garantie, plus les garanties légales déjà mentionnées, sont les seules garanties fournies au consommateur/propriétaire pour ce produit.

Pour obtenir le service prévu par cette garantie, communiquez avec votre détaillant, un dépositaire de service autorisé par FRIGIDAIRE – PIÈCES ET SERVICE, ou:

FRIGIDAIRE – PIÈCES ET SERVICE

C.P. 210
Guelph, Ontario
N1H 6K2
Tél.: (519) 822-3420
Fax: (519) 822-2188

LE GARANT, PAR L'ENTREMISE DE SON DÉPOSITAIRE DE SERVICE AUTORISÉ:

Réparera ou remplacera gratuitement toute pièce défectueuse.

Réparera ou remplacera (main-d'oeuvre non comprise) l'élément chauffant ainsi que le circuit de distribution de l'eau s'ils sont défectueux, y compris le moteur, la pompe, le bras de lavage inférieur, la tour, le support de bras de lavage, le broyeur d'aliments mous ainsi que le gicleur supérieur et l'ensemble du filtre de certains modèles.

Réparera ou remplacera (main-d'oeuvre non comprise) toute garniture intérieure de porte défectueuse du fait d'un vice de fabrication.

Réparera ou remplacera (main-d'oeuvre non comprise) toute cuve en polypropylène défectueuse du fait d'un vice de fabrication.