

This Owner's Manual is provided and hosted by [Appliance Factory Parts](http://Appliance Factory Parts).



# FRIGIDAIRE GLDB958JT0 Owner's Manual

[Shop genuine replacement parts for FRIGIDAIRE  
GLDB958JT0](#)

FACTORY PARTS CATALOG  
DISHWASHER

 **FRIGIDAIRE**



PRODUCT NO.	BASE MODEL NO.	SERIES	COLOR
GLDB958JB0	GLDB958J	GALLERY	black
GLDB958JS0	GLDB958J	GALLERY	white
GLDB958JT0	GLDB958J	GALLERY	almond

MARKET  
North America

SERVICE DATA SHEET # - 154371501  
OWNER'S GUIDE # - 154375101  
WIRING DIAGRAM # - 154371501

 **FRIGIDAIRE**  
HOME PRODUCTS

101 Masters Blvd.  
Anderson, SC 29624

Publication No.  
[995337671]  
000569  
-EN/SERVICE /ECL  
821

24" BUILT IN  
DISHWASHER

Model No.  
GLDB958J

©2006 White Consolidated Industries, Inc.  
All rights reserved.

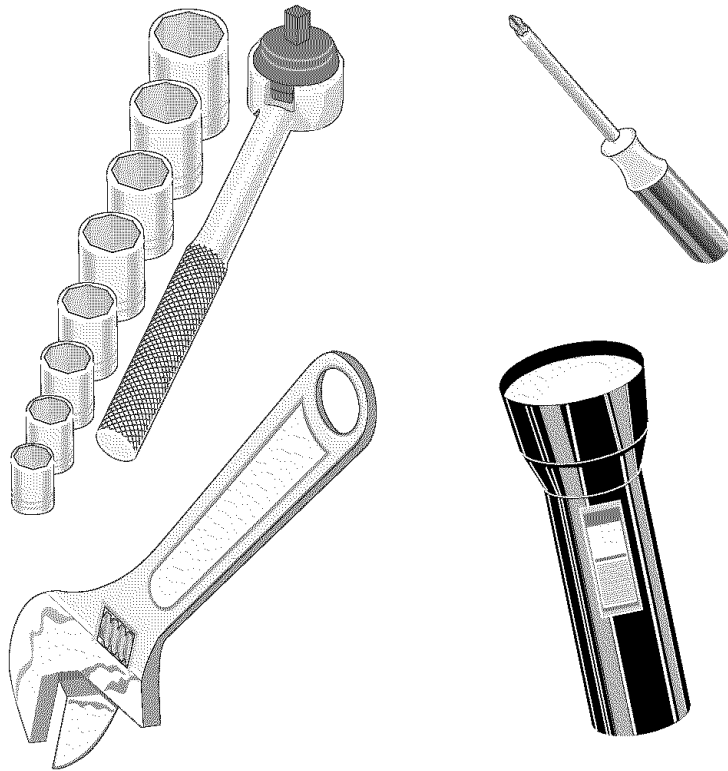
[Find Your FRIGIDAIRE Dishwasher Parts - Select From 369 Models](#)

----- Manual continues below -----

# Dishwasher

## Installation

## Instructions



**INSTALLER:** Leave *Installation Instructions* with owner.

**OWNER:** Read your dishwasher *Use and Care Manual*. It contains important safety information for operating this appliance. It also has many suggestions for getting the best results from your dishwasher.

Printed in U.S.A.

154373601  
(1/00)

## Before You Begin

Read all instructions before installing dishwasher.

For your safety, please read and observe all safety instructions. This guide will help you anticipate drain, water, and electrical connections, and help you select the best location for the dishwasher.

## ! WARNING

### Tip Over Hazard

Do not use dishwasher until completely installed.

Do not push down on open door.

## Parts You Will Need\* (Not Included)

- Drain Hose Clamp, 1 1/4" Diameter
- Elbow, 90° with a 3/8" National Pipe Thread
- Strain Relief Bushing
- Wire Nuts, two (2) for 12-14 gauge wire

### \* If required:

- "Y" Branch Tailpiece and Connector Kit (See Step 4)
- Air Gap Kit (See Step 4)
- Fasteners for floor anchoring (See Step 9)

### Available at:

- Plumbing Supply
- Plumbing Supply
- Hardware Store

## ! WARNING



### Electric Shock Hazard

Disconnect electrical power at the fuse box or circuit breaker box before beginning installation. Failure to follow this warning could result in death or serious injury.

- Examine dishwasher and locate connections. See Step 3.
- Locate dishwasher where there is easy access to water and electrical lines. The best location is on either side of the kitchen sink for access to existing plumbing and electrical lines and loading dishes. See Step 4.
- Electrical, water, and drain connections are not the same for all age, brands, or models of dishwashers. Check the location and length of home utilities. See Step 4.
- A 15-20 amp, grounded, 120 volt AC only, electrical circuit is required. See Steps 4 and 8.
- If dishwasher drain hose will be connected to a food disposal for the first time, knock out plug located inside disposal. See Steps 4 and 6.
- Kinked water or drain hoses can cause problems. Remove drain hose from tub attachment. See Step 4.
- Dishwashers need to be connected to a hot water line with enough water pressure to insure an adequate fill. See Steps 4 and 7.
- Each home installation differs. You will need additional parts listed above to complete your installation. See Steps 4 and 7.
- Flush water line prior to making the final connections to prevent clogging of dishwasher's filter screen. See Step 4.
- The dishwasher will look, sound, and perform best when properly leveled. See Step 5. (NOTE: If levelers are used during installation, make sure the floor is flat and free of obstruction.)
- Anchor the dishwasher to countertop. See Step 9.

## Installation Preparation

1. Remove two (2) screws at front of the kickplate assembly using a #2 Phillips screw driver.
2. Tilt and pull forward to remove. See Figure 1.