

This Owner's Manual is provided and hosted by [Appliance Factory Parts](#).



LG LDS5540BB Owner's Manual

[Shop genuine replacement parts for LG LDS5540BB](#)



[Find Your LG Dishwasher Parts - Select From 174 Models](#)

----- Manual continues below part list -----

Available Replacement Parts for LG LDS5540BB

3920DD3005A	Gasket
3920ED4009B	Motor Shaft Seal / Gasket
4370ED3006A	Nozzle Shaft
4581DD3003B	Roller Assembly
4681ED3001D	Motor Assembly,ac,stepping
4930DD3002A	Holder
4930DD3003A	Holder
4930DD3005B	Holder
4933DD3001B	CONNECTOR AS AFTERMARKET
4975DD1002A	Guide Assembly
4986DD3003A	Gasket
5214DD3002A	Use 4769DD2001A Float Assembly
5220ED4004A	Check Valve
5301DD1001G	Heater Assembly With Thermosta
5911ED3003A	Impeller Assembly
ABQ32598101	Case Assembly
ABT35083801	Casing Assembly
AJH32598001	Sump Assembly
MDS58387601	Gasket
MFZ32863101	Packing Belt
ADQ32598202	Dishwasher Filter Adq32598202
5005DD1001B	Spoon Basket Assembly
4970ED4004D	Hinge Spring
4681EA2002H	Use EAU61383518 Motor Assembly,ac,pump
6201EC1006T	Washer Noise Filter 6201Ec1006t
MCU61861001	Dishwasher Dispenser Mcu61861001
MEG62279201	Holder
3751DD1001J	Rack Assembly
AHB32983761	Rack Assembly
AJH31248608	Sump Assembly

EBR69906302	Display Control Board
EBR74727307	Display Pcb Assembly
AEM69493807	Drain Hose Assembly
3920DD3002B	Packing
4830ED4001B	SCREW,CVR



LG

Life's Good

ENGLISH

OWNER'S MANUAL DISHWASHER

Please read this owner's manual thoroughly before operating and keep it handy for reference at all times.

LDS5540ST/WW/BB



P/No. : MFL66281421

www.lg.com

TABLE OF CONTENTS

3 IMPORTANT SAFETY INFORMATION

- 3 Basic Safety Precautions
- 4 Electrical Safety
- 4 Before Using the Dishwasher

5 PARTS AND FEATURES

- 5 Features
- 6 Parts
- 6 Specifications
- 7 Control Panel
- 9 Cycle Option Chart
- 9 Cycle Selection Chart

10 OPERATING INSTRUCTIONS

- 10 Quick Start
- 11 Loading the Lower Rack
- 12 Folding Down the Lower Tines
- 13 Loading the Silverware Basket
- 13 Height adjustable upper rack
- 14 Loading the Upper Rack
- 14 Folding Down the Upper Tines
- 15 Adding Detergent to the Dispenser
- 16 Adding Rinse Aid to the Dispenser

17 CARE AND CLEANING

- 17 Keeping the dishwasher
- 17 Cleaning the Metallic Parts
- 17 Cleaning the Upper Spray Arm
- 18 Cleaning the Top Spray Arm
- 18 Seasonal Maintenance and Storage

19 FAQs

21 TROUBLESHOOTING

- 21 Before Calling for Service
- 23 Smart Diagnosis System

24 WARRANTY

- 24 Product Registration Information

IMPORTANT SAFETY INSTRUCTIONS

READ ALL INSTRUCTIONS BEFORE USE

Your safety and the safety of others is very important. This owner's manual contains many important safety messages; as well as on your appliance. Always read and follow all safety messages.



This is the safety alert symbol. This symbol alerts you to potential hazards that can result in property damage or serious bodily harm, even death.

The safety alert symbol will be followed by either the word "WARNING" or "CAUTION" then an important safety message. These words mean:

⚠ WARNING Indicates the possibility of serious bodily harm or death.

⚠ CAUTION Indicates the possibility of injury or damage to property.

This manual contains very important information regarding the installation, use, and maintenance of your dishwasher. The manufacturer cannot be responsible for injuries or damage caused by failure to follow these safety and caution instructions.

BASIC SAFETY PRECAUTIONS

⚠ WARNING To reduce the risk of fire, electric shock, or injury to persons when using this appliance, follow basic precautions, including the following:

- Read all instructions carefully before using the dishwasher.
- Use the dishwasher only for its intended function.
- Only use detergents or rinse agents recommended for use in a dishwasher. Keep all dishwasher detergents and additives out of the reach of children.
- This appliance is not intended for use by young children.
- When loading items to be washed:
 - 1) Load sharp items so that they are not likely to damage the door seal.
 - 2) Load sharp knives with the handles up to reduce the risk of injury when reaching into the dishwasher.
- Do not wash plastic items in the dishwasher unless they are labeled "dishwasher safe" or the equivalent. For plastic items that are not so labeled, check the manufacturer's recommendations.
- Do not operate the dishwasher unless all enclosure panels are properly in place.
- Do not tamper with the controls.
- Do not abuse, sit on, or stand on the door or dish racks of the dishwasher.
- To reduce the risk of injury, do not allow children to play in or around the dishwasher.
- Under certain conditions, hydrogen gas may be produced in a hot water system that has not been used for two weeks or more. HYDROGEN GAS IS EXPLOSIVE. If the hot water system has not been used for such a period of time, turn on all hot water faucets and let the water flow for several minutes. This will release any accumulated hydrogen gas. Since hydrogen gas is flammable, do not smoke or use an open flame during this time.
- Remove the door to the wash compartment when disposing of an old dishwasher.
- The installer must ensure that the dishwasher is completely enclosed at the time of installation.

WARNING: This product contains chemicals known to the State of California to cause cancer and birth defects or other reproductive harm. ***Wash hands after handling.***

BASIC SAFETY PRECAUTIONS

⚠ WARNING To reduce the risk of fire, electric shock, or injury to persons when using this appliance, follow basic precautions, including the following:

For a permanently connected dishwasher:

This appliance must be connected to a grounded metal, permanent wiring system, or an equipment grounding conductor must be run with the circuit conductors and connected to the equipment grounding terminal or lead on the appliance. Consult with a qualified electrician.

Tip Hazard

Do not put excessive downward force on the open dishwasher door prior to installation, as this could cause damage to the unit or cause it to tip over. Do not use the dishwasher before installation has been completed in accordance with the Installation Instructions.

ELECTRICAL SAFETY

⚠ WARNING

Electrical Shock Hazard

Failure to follow these instructions can result in death, fire, or electrical shock.

- The dishwasher **MUST** be grounded. Connect the ground wire to the green ground connector in the terminal box.
- Do not use an extension cord with this appliance.
- The dishwasher is designed to be used with standard household current (120 Volts AC, 60Hz.). Before connecting the dishwasher, ensure that the outlet or cable is properly grounded and polarized by circuit breakers or fuses. Failure to provide adequate grounding of this appliance may cause electrical shock or malfunction of the appliance. Consult with a qualified electrician.
- Do not install or store the dishwasher where it will be exposed to weather conditions. Failure to observe this precaution may result in electrical shock, fire, malfunction, and/or deformation of the dishwasher.
- Do not damage or place heavy items on the power cord of the appliance. Do not use the dishwasher if it has a damaged power cord. Power cord damage may cause fire and electrical shock. Consult with a qualified electrician.
- Do not grasp the power cord or touch the dishwasher controls with wet hands. Do not use the dishwasher if it has a damaged power cord or plug, and do not plug the dishwasher into a damaged outlet. Failure to observe these instructions may result in electrical shock.
- Disassembly or repair must be performed by experienced service persons. Improper disassembly or repair could lead to product failure or electrical shock.

BEFORE USING THE DISHWASHER

Before using the dishwasher, please read the Important Safety Instructions.

Water supply temperature should be a minimum of 120°F (49°C) for better washing and reasonable cycle time.

For this reason, use the hot water supply only. It is also important that the dishwasher is loaded according to instructions for effective cleaning. When loading the dishwasher, make sure that insoluble items such as bones, toothpicks, and pieces of paper have been removed.

When loading the dishwasher, observe the following general guidelines:

1. Place items with deep dish bottoms at an angle to help water run off and speed the drying process.
2. Remove solid, burned-on scraps from dishes prior to loading in the dishwasher.
3. Only load items that are dishwasher-safe.

ⓘ NOTE

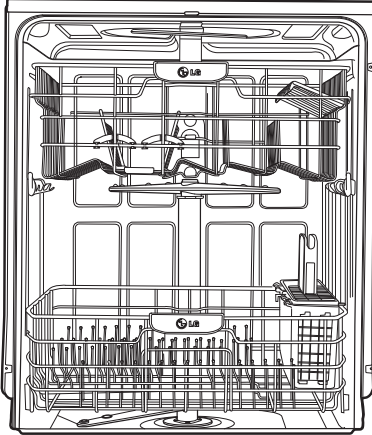
Do not load utensils that are not heat-resistant, have decorative metal trim, etc.

SAVE THESE INSTRUCTIONS

PARTS AND FEATURES

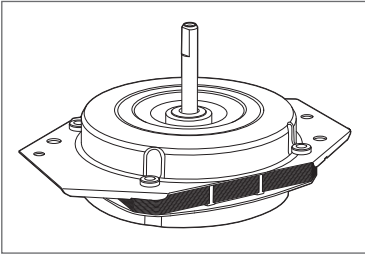
FEATURES

LARGE CAPACITY



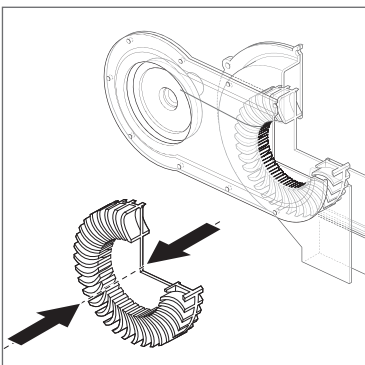
LG dishwashers allow you to load very large items in both the upper and lower racks. The tall tub provides extra overall capacity and the clearance to accommodate large dishes. Extra large items (max. 14 in.) may be loaded in the lower rack by raising the upper rack.

SLIM DIRECT MOTOR™



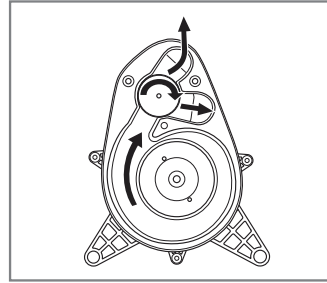
The new Slim Direct Motor™ is inverter-controlled. Wash power is controlled based on cycle selection. It also offers high energy efficiency to minimize energy use.

HYBRID DRYING SYSTEM



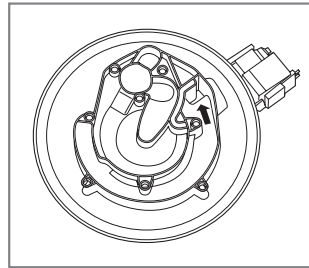
This system effectively dries dishes without the use of a heating element that would increase energy consumption.

VARIO SPRAY SYSTEM



The water spray alternates between the upper and lower racks, so all of the power from the motor is directed to one rack at a time. This concentrates all of the cleaning power of the motor on each rack in turn.

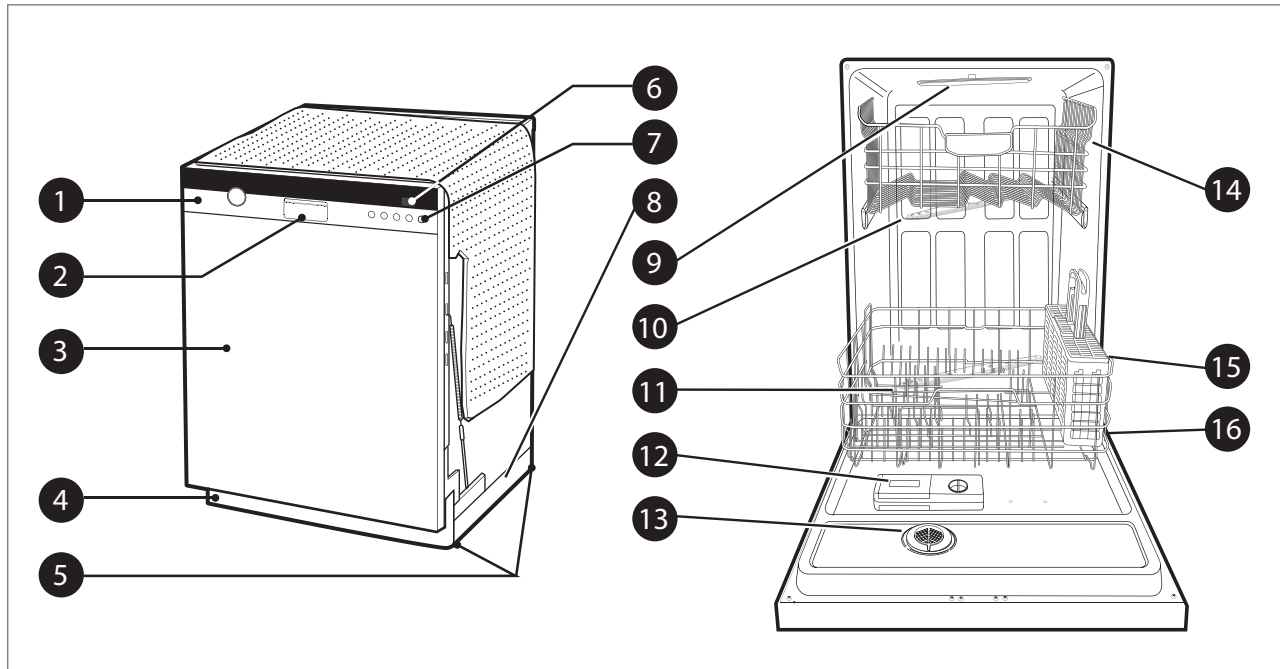
SOFT FOOD GRINDER AND SELF-CLEANING FILTER



For best wash results, your LG dishwasher has a built-in soft food grinder and a selfcleaning filter. The grinder grinds up soft food and residue into small particles that can be caught in the filter and washed down the drain. The self-cleaning filter system continuously cleans the wash water as

it circulates to separate any residue from the wash water. All dirt and residue easily washes down the drain.

PARTS



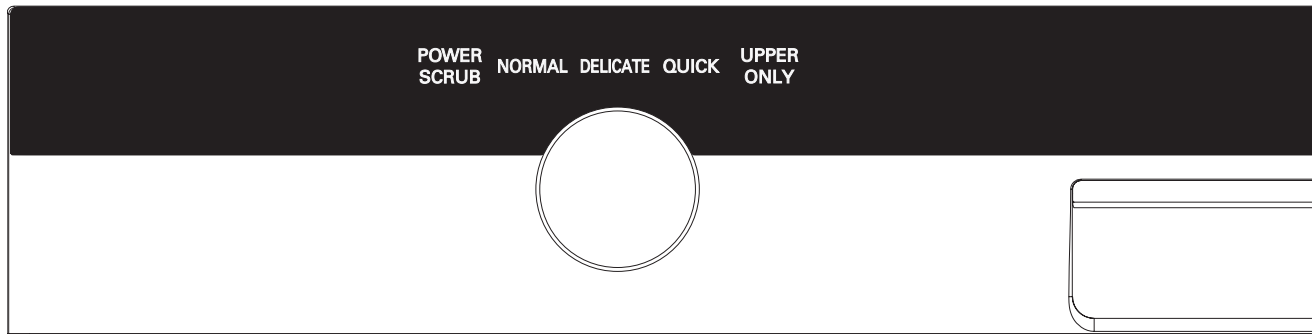
- | | |
|-------------------|---------------------------------------|
| 1. CONTROL PANEL | 10. UPPER SPRAY ARM |
| 2. DOOR HANDLE | 11. LOWER SPRAY ARM |
| 3. FRONT COVER | 12. DETERGENT AND RINSE AID DISPENSER |
| 4. LOWER COVER | 13. DRYING VENT COVER |
| 5. LEVELING FEET | 14. UPPER RACK |
| 6. DISPLAY WINDOW | 15. SILVERWARE BASKET |
| 7. POWER BUTTON | 16. LOWER RACK |
| 8. BASE | |
| 9. TOP SPRAY ARM | |

SPECIFICATIONS

Model: LDS5540ST/WW/BB	
Power Supply	120V, 60 Hz AC only, minimum 15A circuit breaker
Water Pressure	20–120 psi (140–830 kPa)
Size (WxDxH)	23 3/4" x 24 5/8" x 33 1/2" (603 mm x 625 mm x 851 mm)
Inlet Water Temperature	120°F (49°C) minimum
Product Weight	90.8 lbs. (41.2 kg)

The appearance and specifications are subject to change without notice.

CONTROL PANEL



Cycles

Select your desired cycle.

POWER SCRUB

This cycle is for heavily and hard soiled dishes. Power Scrub can also help reduce hard water spotting on dishes.

NORMAL

This cycle is for normally soiled, everyday loads.

DELICATE

The cycle is intended for effectively cleaning delicate items such as fine china and stemware.

QUICK

This is a shortened cycle that is intended for washing and drying recently used dishes or lightly soiled loads.

UPPER ONLY

This cycle is only for washing items placed on the upper rack.

CHIME ON/OFF

To enable or disable the chime, first, turn on the dishwasher. Press and hold the Extra Dry and Delay Start buttons simultaneously for approximately three seconds.

TO CANCEL A CYCLE

To cancel a cycle, open the door and then press and hold the Extra Dry and Extra Rinse buttons simultaneously for approximately three seconds. The drain pump will activate and the cycle will cancel. The display will show "dr" and the dishwasher will drain the water. After the dishwasher is drained, the power will turn off.

If power is turned on and no cycle has been selected, the dishwasher will power off within four minutes.

CONTROL PANEL



Cycle Options

Press the desired cycle and then select the options for that cycle.

SANITARY

This high-temperature rinse sanitizes dishes and glassware in accordance with NSF/ANSI Standard 184 for residential dishwashers. Certified dishwashers are not intended for licensed food establishments.

EXTRA DRY

Select the EXTRA DRY option for better drying performance. This option adds 60 minutes of extra drying time to the cycle.

EXTRA RINSE

The Extra Rinse symbol indicates that an extra rinse has been added to the cycle.

DELAY START

The Delay Start feature allows you to delay the start of a selected cycle. Each time the Delay Start button is pressed, the delay time will increase an hour. The delay start time can be set from 1 to 19 hours, in one-hour increments.

CHILD LOCK

The Child Lock feature helps prevent your settings from being changed during a cycle. Selecting this feature locks all of the buttons, except for the Power button, on the control panel. This feature does not lock the door.


To activate the Child Lock:

1. Press the Power button.
2. Select the cycle (and desired options).
3. Press and hold the Extra Rinse and Delay Start buttons for three seconds. The Child Lock indicator will illuminate in the display once the Child Lock is activated.

DIGITAL DISPLAY

The Digital Display on the control panel shows the ESTIMATED cycle time. When the dishwasher is powered up, the display will be blank. When the cycle and options are selected, the display will show the total estimated time to complete those selections. During operation, the display shows the remaining estimated operating time.

NOTE

- The estimated time shown in the display does not include delay times for heating water, etc.
- If Delay Wash is selected, the display shows the delay time in hours.
- Time may vary depending on the soil level of your load.
- The RINSE AID symbol  indicates that the rinse aid needs to be refilled.

POWER

- Press the Power button to turn on the control panel. If no cycle is selected within four minutes, the dishwasher will power off.
- After the cycle is complete, the power automatically turns off for safety and to reduce energy consumption."
- If there is a power surge, power outage, or disruption of any kind, the PF indicator will display and power will be automatically turned off for safety. The cycle will need to be restarted.

SMART DIAGNOSIS

Should you experience any problems with your dishwasher, it has the capability of transmitting data to your Smart Phone using the LG Smart Laundry & DW Application or via you telephone to the LG call center.

NOTE

Smart Diagnosis is a troubleshooting feature designed to assist, not replace, the traditional method of troubleshooting through service calls. The effectiveness of this feature depends upon various factors, including, but not limited to, the reception of the cellular phone being used for transmission, any external noise that may be present during the transmission, and the acoustics of the room where the machine is located. Accordingly, LG does not guarantee that Smart Diagnosis would accurately troubleshoot any given issue.

CYCLE OPTION CHART

The cycle guide below shows the available options for each cycle.

Cycle	Sanitary	Extra Dry	Extra Rinse	Sanitary Extra Dry	Sanitary Extra Rinse	Extra Dry Extra Rinse	Sanitary Extra Dry Extra Rinse	Delay Start
Power Scrub	●	●	●	●	●	●	●	●
Normal	●	●	●	●	●	●	●	●
Delicate	●	●	●	●	●	●	●	●
Quick		●						●
Upper Only								●

CYCLE SELECTION CHART

The cycle guide below shows the default settings for each cycle.

Cycle	Wash			Rinse			Dry	*Water Usage	**Cycle Time
	Pre 1	Pre 2	Main Wash	Rinse 1	Rinse 2	Heated Rinse			
Power Scrub	●	●	145°F 63°C ●	●	●	154°F 68°C ●	●	7.7 gal. 29 L	166 min.
Normal	●	●	140°F 60°C ●	●		149°F 65°C ●	●	6.3 gal. 24 L	141 min.
Delicate	●	●	122°F 50°C ●	●		154°F 68°C ●	●	6.1 gal. 23 L	130 min.
Quick	●		115°F 46°C ●	●		140°F 60°C ●	●	5 gal. 19 L	84 min.
Upper Only	●	●	140°F 60°C ●	●		149°F 65°C ●	●	6.1 gal. 23 L	107 min.

* Actual water consumption will vary depending on soil level and water hardness.

** Actual cycle times may vary depending on soil level, water temperature and hardness

OPERATING INSTRUCTIONS

QUICK START

1. LOAD THE DISHES

Scrape the dishes free of excess food, bones, and any other hard, non-soluble residue. Pull each rack out and load the dishes as described in this manual.

2. MEASURE THE DETERGENT

Using the guidelines in this manual, fill the detergent cup with the recommended amount of detergent and close the lid. If a prewash is desired, the recess on top of the lid should also be filled with detergent.

3. TURN ON THE DISHWASHER

To turn on the display panel, press the Power button.

4. CHECK THE RINSE AID

The Rinse Aid indicator light will illuminate if the level of rinse aid in the dishwasher is low. Add rinse aid if the level is low to maintain the effectiveness of the dry cycle.

5. SELECT THE CYCLE AND OPTIONS

Select the cycle and options that best fit the load by referring to the Cycle Selection Chart. The display will show the estimated time for the cycle and options selected.

6. CLOSE THE DOOR

The dishwasher will start automatically, after a slight delay, when the door is closed and latched. During the cycle, the display will indicate the estimated time remaining for the cycle and options selected. If the door is opened during the cycle, the dishwasher will stop. When the door is closed, the cycle will resume from the point where it was stopped.

7. END OF CYCLE

When the cycle is complete, a chime will sound and the display will show "END." After a short time, the display and controls will shut off for safety and energy conservation.

CAUTION

Empty the lower rack first and then the upper rack. This will avoid water from dripping from the upper rack onto dishes in the lower rack.

WARNING

In general, it is not advisable to open the door while the dishwasher is in operation. If the door is opened, a safety device stops the dishwasher. Care should be taken when opening the door immediately following the cycle, as steam may escape.

AUTO-OFF

The dishwasher will automatically turn off if a cycle is not selected or if the door is not closed within four minutes.

LOADING THE LOWER RACK

⚠ CAUTION

NON-DISHWASHER SAFE ITEMS

The combination of high water temperature and dishwasher detergents may damage certain items. LG does not recommend washing the following items in the dishwasher:

- Hand painted silver or gold leaf dishes
- Wood or bone handled utensils
- Iron or other rust prone utensils
- Plastic items that are not dishwasher safe

When in doubt, check the manufacturers' recommendations.

The extra tall tub allows loading of dishes, pans, or other utensils up to 14 inches high.

The lower rack is recommended for dinner plates, soup bowls, dishes, pots, pans, lids, and grill trays. Plates should be positioned vertically and facing the center of the rack. Pots, pans, and large bowls must be turned so that the inside faces downward. The silverware basket may be used in either the lower or upper rack.

RACK LOADING TIPS

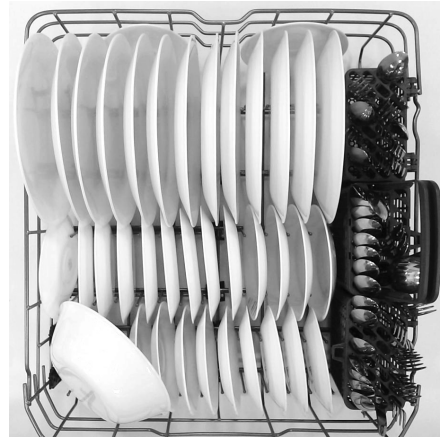
LOADING 10 PLACE SETTINGS



- Load plates, soup bowls etc. between the tines.
- Load cookie sheets, cake pans and other large items on the sides or back of the rack. Loading these items in the front of the dishwasher can prevent the water spray from reaching the detergent dispenser.
- Make sure that pot handles and other large items do not stop the rotation of the spray arms.

The lower rack should not be used for small items such as cups, wine glasses, or small plates. These items should be loaded in the upper rack.

LOADING 12 PLACE SETTINGS

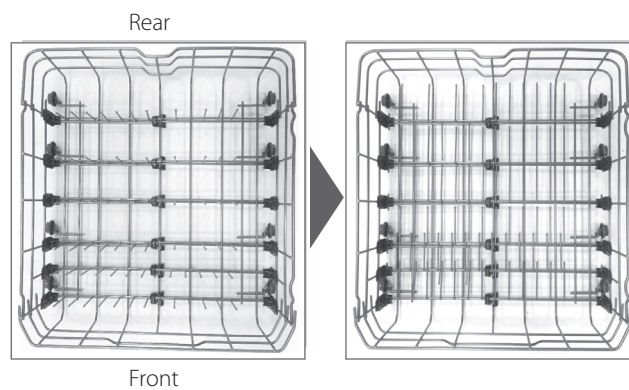
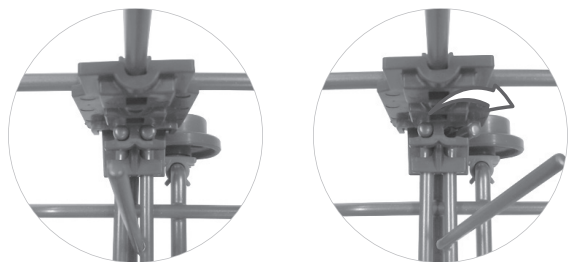


! NOTE

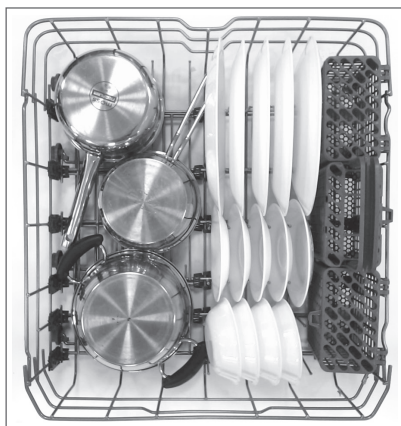
Make sure that large items do not interfere with the rotation of the spray arms, and do not prevent the detergent dispenser from opening.

FOLDING DOWN THE LOWER TINES

The tines are adjustable to fit dishes of various sizes.



LOADING DISHES & POTS



LOADING POTS & BOWLS



LOADING THE SILVERWARE BASKET

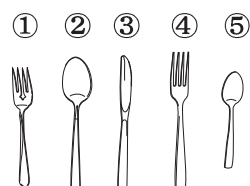
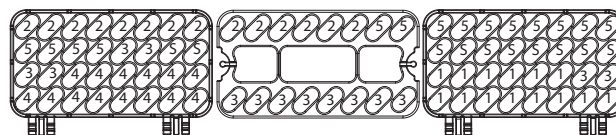
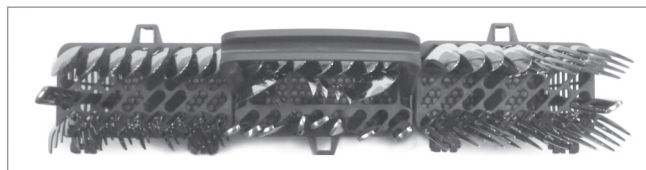
The silverware basket has separators to avoid scratching and tarnishing of delicate silverware. The basket can be separated into three separate baskets that can be used individually in both the upper and lower racks. Unlock the tabs above the left and right side to separate.

⚠ WARNING

Be careful when loading and unloading sharp items. Load sharp knives with the handles up to reduce the risk of personal injury.

SILVERWARE LOADING TIPS:

- For best cleaning results, use the top separators in the basket when loading silverware. The separators will prevent nesting of silverware.
- Load sharp items, such as knives, pointing down.
- When unloading the dishwasher, it is best to start with the silverware basket. Doing so will prevent water droplets from falling on your silverware from the upper rack.

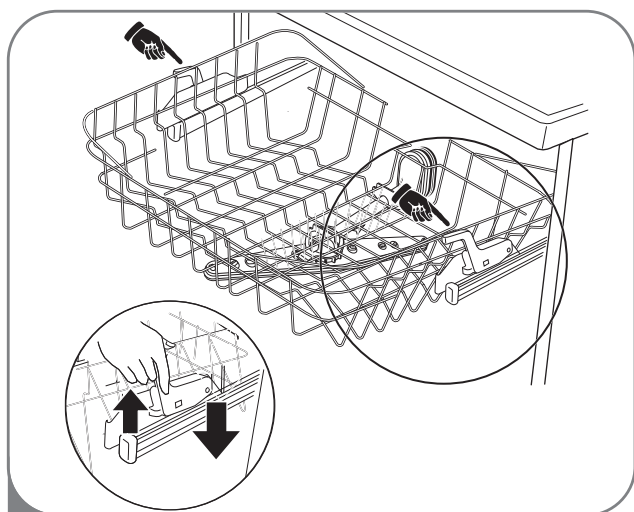


HEIGHT ADJUSTABLE UPPER RACK

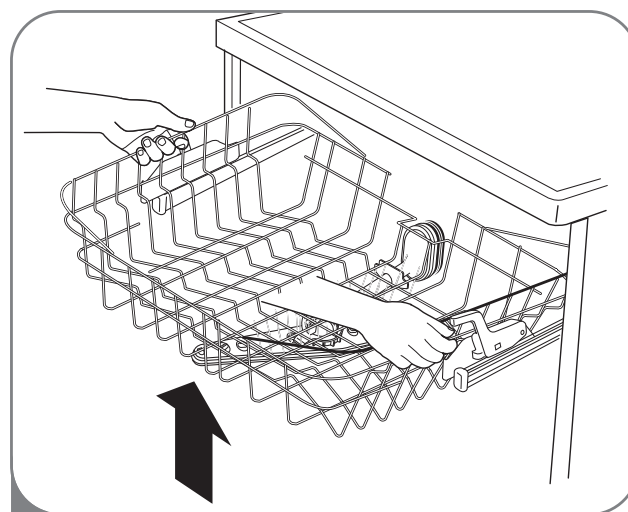
The upper rack adjusts up and down. Adjust the upper rack up to allow tall and oversized items of up to 14 inches high in the lower rack. Adjust the upper rack down to allow placement of large dishes of up to 12 inches high in the upper rack. The upper rack comes in the upper position.

! NOTE

After adjusting, make sure that dishes in the upper and lower racks do not interfere with the rotation of the spray arm. Do not adjust the rack while it is loaded with dishes.



- 1 To lower the rack:
Hold the rack at the center of each side to support its weight. Then, lift the lever on each side to release the rack and lower it to the lower position.

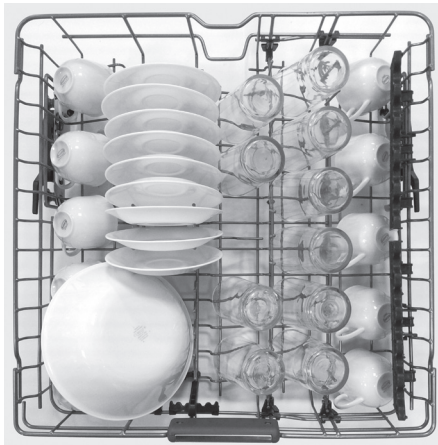


- 2 To raise the rack:
Simply lift the rack at the center of each side (see illustration) until the rack locks into place in the upper position. It is not necessary to lift the lock levers to raise the rack

LOADING THE UPPER RACK

Use the upper rack for small or delicate items such as small plates, cups, saucers, glasses, and dishwasher-safe plastic items. Cups, glasses, and bowls must be positioned upside down. Extra cups or cooking utensils can be laid on the fold down cup racks, which may also provide support for long stemmed glasses. Make sure items do not interfere with the rotation of the spray arms above and below the upper rack.

LOADING 10 PLACE SETTINGS



LOADING 12 PLACE SETTINGS

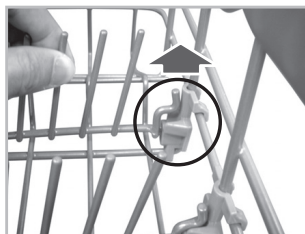


UPPER RACK LOADING TIPS:

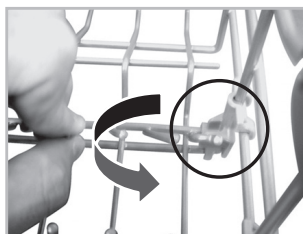
- Place cups and glasses in the rows between the rack tines. Placing them over the rack tines can lead to breakage and water spots.
- To avoid chipping, do not let stem ware touch other items.
- Place items so that the open end faces down for cleaning and drying.
- Do not stack items on top of each other.

FOLDING DOWN THE UPPER TINES

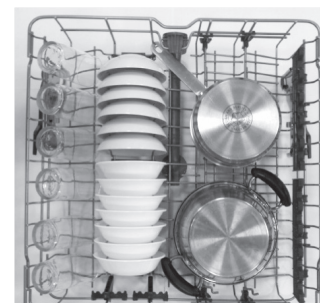
Pull up the tine



Rotate the tine



The tines can be adjusted up or down. The right side tines have handles for wider or small dishes.

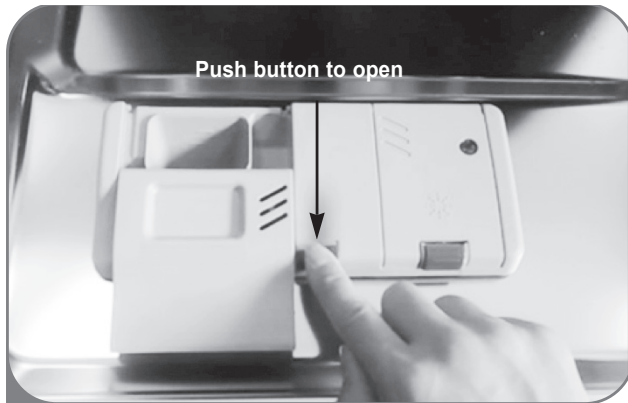


ADDING DETERGENT TO THE DISPENSER

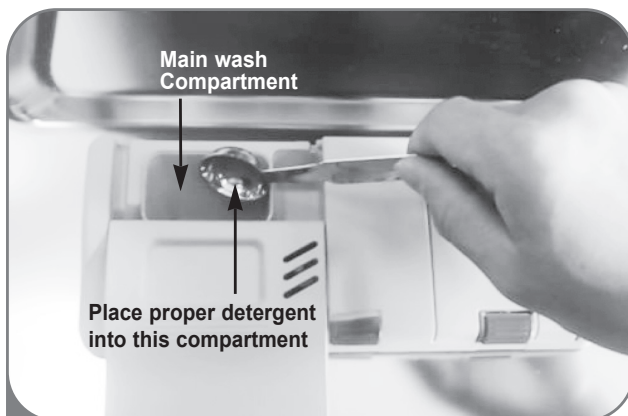
- Only use detergent intended for automatic dishwashers.
- Detergent must be put into the detergent compartment before starting any cycle.
- Use less detergent if the dishes are only lightly soiled. Using excess detergent can leave a film on dishes and in the dishwasher resulting in poor wash performance.
- The amount of detergent needed depends on the cycle, load size, and soil level of dishes.

! NOTE

Remove the label on the dispenser prior to running the dishwasher.



- 1 If the lid is closed, press the lever on the bottom side of the lid to open the dispenser.



- 2 Add dish washing detergent to the main wash compartment until the level is between the lines marked 20 and 30. Fill to the 30 line for hard water or heavily soiled loads. Fill to the 20 line for soft water or lightly soiled loads.

Close the lid firmly until it clicks.



- 3 If a prewash is desired, fill the recessed prewash compartment area in the lid with detergent.

! NOTE


Too much detergent can leave a film on dishes and in the dishwasher, resulting in poor wash performance. Do not use detergent tablets for shorter wash cycles. The tablet may not dissolve completely, causing detergent residue on dishes and inefficient cleaning.

! CAUTION

DETERGENT INFORMATION

Use only detergent intended for automatic dishwashers. Incorrect detergent may cause the dishwasher to fill with suds during operation. Excess sudsing may reduce wash performance and may cause the dishwasher to leak. **DO NOT** use hand dish washing detergent in this dishwasher.

ADDING RINSE AID TO THE DISPENSER

 The Low Rinse Aid indicator will appear in the display when more rinse aid is needed.

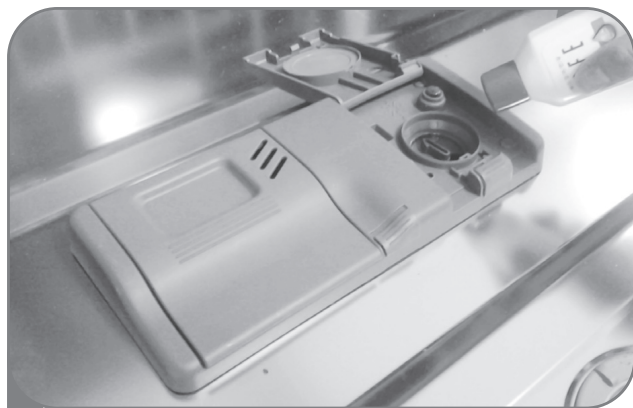
The use of rinse aid is recommended to prevent water droplet spots on dishes and to enhance the drying performance.

NOTE

Only use liquid rinse aid in the dishwasher.



1 Push button to open lid.

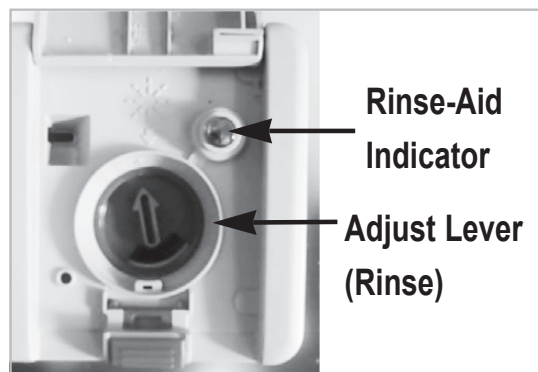


2 Add a liquid rinse aid to the maximum fill level. When filling the rinse aid dispenser, aim the rinse aid at the arrow. Make sure that the rinse aid is settled in the dispenser while filling.



3 Close the lid to lock the dispenser. Rinse aid will be dispensed automatically during the final rinse cycle.

RINSE AID DISPENSER ADJUSTMENT



The rinse aid dispenser is set to level 3, which should provide the best performance under most conditions. Adjust the setting higher if you have hard water and notice calcium buildup on your dishes.


If you notice film on your dishes, use a lower setting. Setting the rinse aid control too low will contribute to spotting and streaking of dishes and poor drying performance. Setting the control too high can cause foaming, which will cause poor wash performance.

To adjust the rinse aid dispenser setting, remove the cap and adjust the rinse aid lever to the desired setting. Point the arrow to the left for a lower setting, right for a higher setting.

REFILLING THE RINSE AID

The regularity of the dispenser needing to be refilled depends on how often dishes are washed and the rinse aid setting used. If the rinse aid level is low, the Rinse Aid light on the control panel will illuminate.

RINSE AID FILLING TIPS:

-  The Low Rinse Aid indicator will appear in the display when more rinse aid is needed.
- Do not overfill the rinse aid dispenser.
- Clean up any spilled rinse aid to prevent sudsing.

CARE & CLEANING

For best results, it is important to periodically check and care for the spray arms.

⚠ WARNING

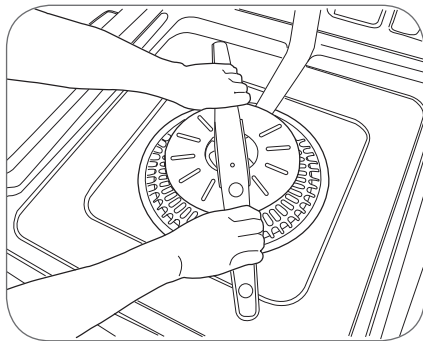
To prevent injury during care and maintenance/cleaning, wear gloves and/or protective clothing.

KEEPING THE DISHWASHER

If you will not be using the dishwasher for a long period time, run the Quick cycle without detergent. When the cycle is finished, clean the dishwasher according to the CARE & CLEANING instructions to remove the food debris at the bottom of the dishwasher and close the door.

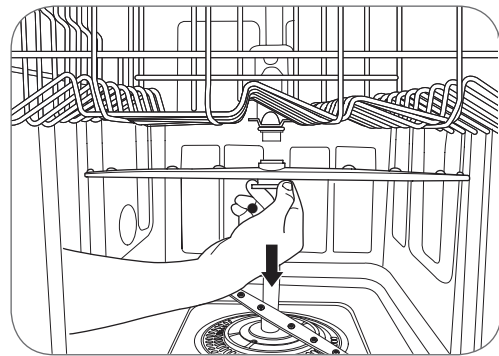
CLEANING THE METALLIC PARTS

Some exterior and interior parts can be cleaned with a damp cloth or sponge. A cloudy film may form on the surface of the stainless steel tub, especially with hard water.

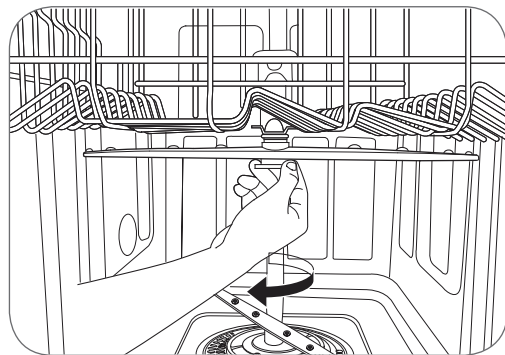


- Make sure that the water jet holes are not blocked by food particles.
- When cleaning is necessary, remove the lower spray arm by pulling up.
- After cleaning the lower spray arm, replace it by pushing down until it clips into place. Be sure that the spray arm is able to turn freely.

CLEANING THE UPPER SPRAY ARM

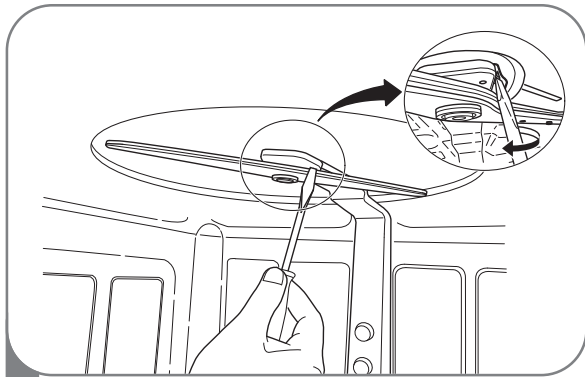


- Pull the upper rack forward. Make sure that the water jet holes are not blocked by food particles.
- When cleaning is necessary, remove the upper spray arm by turning the nut on the bottom of the spray arm 1/8 turn counterclockwise and pulling down.

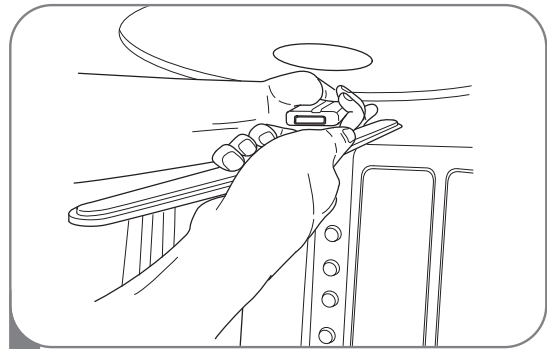


- After cleaning the upper spray arm, press it up into place. Turn the nut 1/8 turn clockwise to make sure that the nut locks back into place.

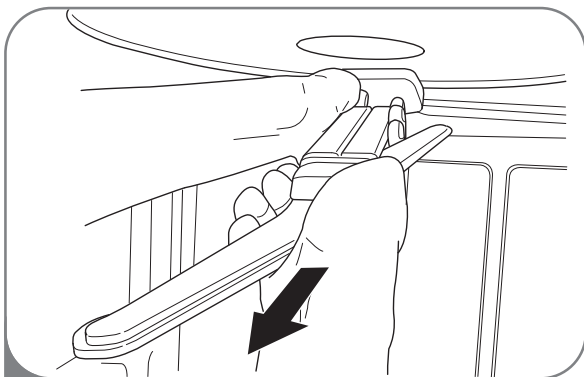
CLEANING THE TOP SPRAY ARM



- 1 Make sure that the water jet holes are not blocked by food particles. When cleaning is necessary, use a screwdriver to release the retainer clip from the bracket that holds the top spray arm assembly to the tub.



- 3 After cleaning the top spray arm, replace it. Slide it back into place and make sure the retainer clip engages.



- 2 Pull the spray arm out.

SEASONAL MAINTENANCE AND STORAGE

- If you will be absent for an extended period of time during warmer months, it is recommended that you close the water valve and unplug the power cord, or turn off the circuit breaker.
- If you will be absent for an extended period of time during colder months, and there is a possibility of freezing temperatures, it is recommended that you winterize the water supply lines and the dishwasher itself. Winterization must be performed by experienced service personnel.

FAQs

COMMON PRODUCT QUESTIONS

Is a rinse aid required to be used?

Rinse aid is strongly recommended to enhance the drying performance of the dishwasher. In order to be more energy efficient, the hybrid drying system does not utilize a heating element in order to assist in drying, so a rinse aid plays an integral role in the dry process. If a rinse aid is not used, water may remain on the dishes and the tub. Rinse aid will help to ensure that the majority of the water has been sheeted off of the dishes at the end of the rinse and that the load is ready for the dry cycle.

What can be done if my dishes have a cloudy, white film on them after a wash?

The cloudy film is usually caused by minerals in the water reacting with the dishwasher detergent. First, be certain not to use too much detergent. Refer to the owner's manual for recommended detergent amounts by cycle. Add an Extra Rinse or run the Power Scrub cycle. LG Dishwashers use less water than traditional dishwashers, so adding an Extra Rinse will aid in rinsing the film away. If the water supply is hard, it may be necessary to add a performance booster that addresses the hard water condition.

What is the Sanitary Rinse and how is it activated?

Sanitary Rinse will increase the heated rinse to approximately 161°F (72°C). The normal heated rinse temperature will vary from cycle to cycle.

What steps can I take to improve drying results?

Dry performance is directly affected by the amount of heat that remains in the tub after the heated rinse is performed. If your dishwasher is far away from your home's hot water heater, it may be necessary to run the hot water tap in the sink before starting a wash cycle, to ensure that cool water is purged from the hot water lines. This will ensure your dishwasher has a consistent supply of hot water from start to finish. Using the Sanitary Rinse setting will also aid in keeping the inner drum temperature and dishes hotter before drying begins.

LG dishwashers are designed to be used in conjunction with a rinse aid. Using a rinse aid will maximize the amount of water that has already been sheeted away from the dishes before the dry cycle begins. If a rinse aid is used and the performance still needs a boost, adjust the amount of rinse aid used by the indicator on the rinse aid cap. 3 is the default setting, but if necessary, set the level to 4 so more rinse aid will be used.

Allow the dishwasher to completely finish the dry cycle before opening the door. If the door is opened mid dry cycle, the heat that is necessary for the hybrid dry system to work will escape out. This will cause all of the dishes inside to remain wet once the cycle finishes.

What is the hybrid drying system?

The dishwasher does not rely on a heating element for the drying process; instead, it relies on the heat that is retained by the dishes and the tub during the wash and rinse cycles to turn the moisture in the tub into humidity. Warm, moist air in the dishwasher is then pulled into a condensing duct in the door by a fan. The air then cools, which causes the humidity to condense. Room temperature air is also drawn into the duct to help the air cool down faster. When this moisture condenses into a liquid, it is drained out.

! NOTE

Rinse aid is required to enhance the drying performance. If no rinse aid is used, water may remain on the dishes and the tub.

Why is there a whistling sound?

It is important to determine how long the noise occurs and when it happens (what part of the cycle). When water is drawn into the dishwasher, a whistling noise can be heard. This is normal. If the water pressure is too high, it will be louder so it may be necessary to adjust the water valve to lower the pressure if the noise is too loud.

What kind of dishes can be placed in the dishwasher?

Ensure that the dishes you place in the dishwasher are dishwasher safe. Plastic dishware will not dry as effectively as glass and metal dishware. Plastic items do not retain heat as well as glass and metal dishware. Plastic cups and dishes may require some hand drying before being put away at the end of the cycle.

Can I perform a drain only cycle?

The dishwasher does not have a drain only function; however, the dishwasher will drain on its own for the first 45 seconds of a new cycle. To drain standing water, select a wash cycle and let it run for only 45 seconds. Then, turn the unit off and let it reset. Repeat as necessary.

Why does my dishwasher continuously beep if I open the door during a cycle or right after the cycle has finished?

This is normal. The dishwasher is letting you know that the interior temperatures of the unit are hot and to use caution when placing your hands inside. Once the unit has cooled down, the beeping will stop.

PRODUCT FEATURES AND OPERATION

What is Child Lock and how is it activated?

Child Lock is a feature that will prevent the controls from being changed during the cycle. It does not prevent the door from being opened or the unit from being powered off. To activate or deactivate, press the Extra Rinse and Delay Start buttons simultaneously for 3 seconds.

Why is "PF" showing up on the display?

PF is not an error code indicating a malfunction. PF indicates that there was a power failure. This function protects the dishwasher in the event that the power goes out or the power to the unit is disrupted. When power is returned and a button is pushed, this will display for 10 seconds and then go away.

INSTALLATION

What size is the 90° elbow?

The 90° elbow should have a 3/8" NPT on the end that connects to the dishwasher.

Can I add an extension to the drain hose?

No, an extension cannot be added.

BEFORE CALLING FOR SERVICE

Problem	Possible Causes	Solutions
Dishwasher will not operate	Door is not completely closed.	Make sure that the door is completely closed and latched.
	Power supply or power cord is not connected.	Connect the power supply or cord properly.
	Fuse is blown or circuit breaker tripped.	Replace the fuse or reset the circuit breaker.
Dishwasher operates too long	Dishwasher is connected to cold water.	Check the water supply connection or water heater setting. (Heating cold water takes longer.)
Odor	Previous cycle was stopped before completion.	Operate the Quick cycle with detergent without loading any dishes.
	The dishwasher is not used daily.	If the dishwasher is not used daily, it is recommend to run the Quick cycle once or twice a day until you have a full load. In case odor still persists, run a vinegar rinse through a Quick cycle by putting 2 cup(500ml) of white vinegar in an upright measuring cup in the lower rack, without detergent. It is recommended to maintain according to the CARE & CLEANING section.
Water remains in tub after completion of cycle	Drain hose is kinked or clogged.	Adjust hose or clear blockage.
Spots and filming on dishes	Low water temperature.	Water supply should be at least 120°F for best wash performance.
	Wrong amount of detergent used.	Use the recommended amount of detergent.
	Overloading.	Do not overload the dishwasher.
	Improper loading.	See the Using Your Dishwasher section.
	Insufficient water pressure.	Water pressure should be between 20 and 120 psi.
	Insufficient detergent.	Add the recommended amount of detergent. See the Using Your Dishwasher section.
Rinse aid dispenser is empty.	Refill rinse aid dispenser.	
<p>Extremely hard water</p> <p>The best way to eliminate spots on your dishes is to install a whole house water softener in your home. If a water softener is already installed or you do not plan on installing one, run a Power Scrub cycle to help minimize this condition. To add an extra rinse to the cycle, select the wash cycle and then press the Extra Rinse button.</p> <p>To remove hard water build up in the tub</p> <p>Remove all dishes, silverware and the silverware holder from the dishwasher. Only the racks should remain in the tub.</p> <p>Fill a measuring cup with white vinegar, approximately 14~17 ounces (400~500mL), and place the measuring cup in the lower rack.</p> <p>Run a Normal cycle and select Extra Rinse and Sanitary then close the door.</p> <p>DO NOT USE DETERGENT</p> <p>NOTE: Make sure to let the dishwasher complete the entire cycle. This cleaning method should only be done as needed.</p>		

If you have followed this troubleshooting guide and the problem persists, or if the problem you are experiencing is not listed here, please call LGE Customer Service at 1-800-243-0000(US), 1-888-542-2623(Canada).

BEFORE CALLING FOR SERVICE

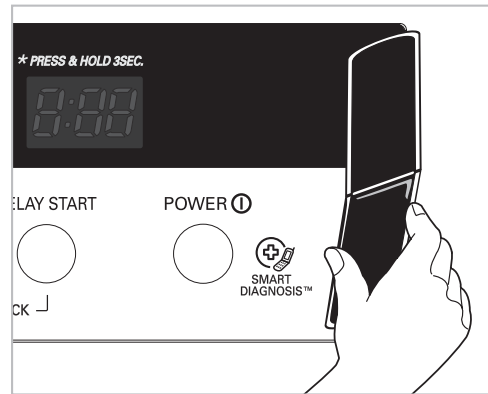
Food soil remains on dishes.	<p>Improper cycle selection.</p> <p>Water temperature too low.</p> <p>Dish washing detergent was not used.</p> <p>Low inlet water pressure.</p> <p>Water jet holes on spray arms blocked.</p> <p>Improper loading of dishes</p> <p>Filters are clogged.</p>	<p>Select correct cycle based on soil level and type of dishware being washed.</p> <p>Check water supply connection or water heater setting.</p> <p>Use recommended detergent.</p> <p>Water pressure should be between 20 and 120 psi.</p> <p>Clean the spray arms.</p> <p>Make sure dishes do not block spray arm rotation or interfere with detergent dispenser.</p> <p>Clean filters.</p>
Noise	<p>Some level of noise is normal during operation.</p> <p>The dishwasher is not level.</p> <p>Nozzle arm knocking against dishes.</p>	<p>Detergent cover opening.</p> <p>Drain pump at the beginning of drain cycle.</p> <p>Adjust leveling feet.</p> <p>Reposition the dishes.</p>
Cloudiness on glassware.	Combination of excessive detergent and hard water.	Use less detergent and use a rinse aid to minimize the problem.
Black or gray marks on dishes.	Aluminum items rubbing dishes during cycle.	Reposition the dishes.
Yellow or brown film on inside of surfaces of dishwasher.	Coffee or tea stains.	Eliminate the stain by using a stain removal product.
Dishes don't dry.	Rinse agent dispenser empty.	Check and refill the rinse agent dispenser if empty.
Lamps do not illuminate.	Power is not connected.	Connect power supply.
Sprays arms do not rotate smoothly.	Holes of spray arms are blocked by food particles.	Clean the holes of spray arms.
Upper rack is crooked.	Rack is poorly adjusted.	See the Height Adjustable Upper Rack section.
Dishwasher continuously beeps when the door is opened, during or right after a cycle has completed.	The contents of the dishwasher are hot and care should be used when placing your hands inside the dishwasher.	Close the door until the dishwasher and dishes have cooled down. The beeping will go away if the door is closed or the interior temperature has been cooled.
IE Error	Water inlet problem.	<p>Check for a clogged, kinked or frozen water inlet hose.</p> <p>Check water supply.</p>
OE Error	Drainage Problem.	Check for a clogged, kinked or frozen drain hose.
FE Error	Excessive Water supplied.	Please call an Authorized Service Center or LGE Customer Service at 1-800-243-0000 (US) 1-888-542-2623 (Canada)
HE Error	Heater circuit failure.	
tE Error	Thermistor failure or very high inlet water temperature (over 194°F)	

If you have followed this troubleshooting guide and the problem persists, or if the problem you are experiencing is not listed here, please call LGE Customer Service at 1-800-243-0000(US), 1-888-542-2623(Canada).

SMART DIAGNOSIS™ SYSTEM

Should you experience any problems with your dishwasher, it has the capability of transmitting data to your Smart Phone using the LG Smart Laundry & DW Application or via your telephone to the LG call center.

Smart Diagnosis cannot be activated unless your dishwasher is turned on by touching the POWER button. If your dishwasher is unable to turn on, then troubleshooting must be done without using Smart Diagnosis.



Smart Diagnosis Using Your Smart Phone

1. Download the LG Smart Laundry & DW application on your smart phone.
2. Open the LG Smart Laundry & DW application on your smart phone.
3. Press the **Smart Diagnosis** button on your smart phone.
4. Press the **Diagnose** button on your smart phone.
5. Press the **Dishwasher** button on your smart phone.
6. Press the **RECORD** button on the smart phone and then hold the mouth piece of the smart phone near the speaker located on the panel. Hold the phone no more than one inch (but not touching) the machine.
7. Press and hold the **Sanitary** button on the dishwasher display for three seconds.

NOTE

After three seconds, the display will change from - : -- to 17 and then start counting down the remaining time.

8. With the phone held in place, press the **Smart Diagnosis** button on the phone.

NOTE

Do not touch any other buttons or icons on the display screen.

9. Keep the phone in place until the tone transmission has finished. This takes about 17 seconds and the display will count down the time.
10. When the recording is complete, view the diagnosis by pressing the **Next** button on the phone.

Smart Diagnosis Through the Call Center

1. Call the LG call center at: (LG U.S.) 1-800-243-0000
(LG Canada) 1-888-542-2623.
2. When instructed to do so by the call center agent, hold the mouthpiece of your phone near the speaker located on the panel. Hold the phone no more than one inch (but not touching) the machine.

NOTE

Do not touch any other buttons or icons on the display screen.

3. Press and hold the Sanitary button on the display screen for three seconds.
4. Keep the phone in place until the tone transmission has finished. This takes about 17 seconds and the display will count down the time.
5. Once the countdown is over and the tones have stopped, resume your conversation with the call center agent, who will then be able to assist you in using the information transmitted for analysis.

NOTE

Smart Diagnosis is a troubleshooting feature designed to assist, not replace, the traditional method of troubleshooting through service calls. The effectiveness of this feature depends upon various factors, including, but not limited to, the reception of the cellular phone being used for transmission, any external noise that may be present during the transmission, and the acoustics of the room where the machine is located. Accordingly, LG does not guarantee that Smart Diagnosis would accurately troubleshoot any given issue.

DISHWASHER LIMITED WARRANTY (USA)

Should your LG Dishwasher prove to be defective in material or workmanship under normal use during the warranty period listed below, effective from the date of original consumer purchase of the product, LG Electronics will replace the defective part(s). Replacement parts will meet intended fit and function of the original part. Replacement parts are warranted for the unexpired portion of the original warranty period. This limited warranty is good only to the original purchaser of the product and effective only when used in the United States of America.

WARRANTY PERIOD	
For the Period of:	LG Will Replace:
One year from date of original purchase	Any part of the Dishwasher which fails due to a defect in materials or workmanship. During this full one-year of original purchase warranty, LGE will also provide, free of charge , all labor and on-site service to replace the defective part.
Two year from date of original purchase	Any part of the dishwasher (except as listed below) which fails due to a defect in materials or workmanship. During this two-year parts warranty , you will be responsible for any labor or on-site service costs.
Five year from date of original purchase	Electronic control board and dishwasher rack which fails due to a defect in materials or workmanship. During this five-year parts warranty , you will be responsible for any labor or on-site service costs.
Ten year from date of original purchase	Direct Drive motor which fails due to a defect in materials or workmanship. During this ten-year warranty , you will be responsible for any labor or on-site service costs.
Limited Lifetime	Stainless steel door liner and tub (as long as owned by the original purchaser) which fails due to a defect in materials or workmanship. During this limited lifetime parts warranty , you will be responsible for any labor or on-site service costs
Replacement units and repair parts may be new or factory remanufactured. Replacement units and repair parts are warranted for the remaining portion of the original unit's warranty period	

No other warranty is applicable to this product. THIS WARRANTY IS IN LIEU OF ANY OTHER WARRANTY, EXPRESS OR IMPLIED, INCLUDING WITHOUT LIMITATION, ANY WARRANTY OF MERCHANTABILITY OR FITNESS FOR A PARTICULAR PURPOSE. TO THE EXTENT ANY IMPLIED WARRANTY IS REQUIRED BY LAW, IT IS LIMITED IN DURATION TO THE EXPRESS WARRANTY PERIOD ABOVE. NEITHER THE MANUFACTURER NOR ITS U.S. DISTRIBUTOR SHALL BE LIABLE FOR ANY INCIDENTAL, CONSEQUENTIAL, INDIRECT, SPECIAL, OR PUNITIVE DAMAGES OF ANY NATURE, INCLUDING WITHOUT LIMITATION, LOST REVENUES OR PROFITS, OR ANY OTHER DAMAGE WHETHER BASED IN CONTRACT, TORT, OR OTHERWISE. Some states and/or territories do not allow the exclusion or limitation of incidental or consequential damages or limitations on how long an implied warranty lasts, so the above exclusion or limitation may not apply to you. This warranty gives you, the original purchaser, specific legal rights and you may also have other rights that vary from state to state or territory to territory.

THIS LIMITED WARRANTY DOES NOT COVER:

1. Service calls to your home for delivery or pick-up, installation, instruction, replacement of house fuses, connection of house wiring or plumbing, or to correct unauthorized repairs.
2. Failure of product to perform during power failures and interruptions or inadequate electrical service.
3. Damage caused by transportation or handling.
4. Damage caused to the product by accident, vermin, lightning, winds, fire, floods, or acts of God.
5. Damages caused by leaky or broken water pipes, frozen water pipes, restricted drain lines, or inadequate or interrupted water supply.
6. Damages caused by inadequate supply of air.
7. Damages caused by operating the product in a corrosive atmosphere.
8. Repairs when your LG product is used in other than normal, singlefamily household use or contrary to the instructions described in the product User's Guide.
9. Damage resulting from accident, alteration, misuse, abuse, or improper installation, repair, or maintenance. Improper repair includes the use of parts not approved or specified by LG.
10. Normal maintenance as described in the User's Guide, such as cleaning or replacing filters, cleaning coils, etc.
11. Use of accessories or components that are not compatible with this product.
12. Products with altered or removed serial numbers.
13. Changes in the appearance of the product that do not affect product performance.
14. Increases in utility costs and additional utility expenses. The cost of repair or replacement under these excluded circumstances shall be borne by the consumer.

The cost of repair or replacement under these excluded circumstances shall be borne by the consumer.

For complete warranty details and customer assistance, please call or visit our website:

Call 1-800-243-0000 (24 hours a day, 365 days a year) and select the appropriate option from the menu, or visit our website at <http://us.lgservice.com>

Or by mail: LG Customer Information Center:
P. O. Box 240007
201 James Record Road
Huntsville, Alabama 35813
ATTN: CIC

Product Registration Information:

Model: _____

Serial Number: _____

Date of Purchase: _____

Dealer Name: _____

DISHWASHER LIMITED WARRANTY (CANADA)

WARRANTY: Should your LG Dishwasher ("Product") fail due to a defect in material or workmanship under normal home use during the warranty period set forth below, LG Canada will at its option repair or replace the Product upon receipt of proof of original retail purchase. This warranty is valid only to the original retail purchaser of the product and applies only to a Product distributed in Canada by LG Canada or an authorized Canadian distributor thereof. The warranty only applies to Products located and used within Canada.

WARRANTY PERIOD: (Note: If the original date of purchase can not be verified, the warranty will begin sixty (60) days from the date of manufacture)			
Dishwasher		Extended Component Warranty (Parts Only) (Consumer will be charged for Labor after One (1) year from the date of purchase)	
Two (2) year from the date of original retail purchase	One (1) year from the date of original retail purchase	Five (5) year from the date of original retail purchase	Ten (10) years from the date of original retail purchase
Parts (internal/functional parts only)	Labor	PCB, Rack, Stainless Steel Door Liner, Tub	DD Motor

- ▶ Replacement products and parts are warranted for the remaining portion of the original warranty period or ninety (90) days, whichever is greater.
- ▶ Replacement products and parts may be new or remanufactured.
- ▶ LG Authorized Service Center warranties their repair work for thirty (30) days.

LG CANADA'S SOLE LIABILITY IS LIMITED TO THE WARRANTY SET OUT ABOVE. EXCEPT AS EXPRESSLY PROVIDED ABOVE, LG CANADA MAKES NO AND HEREBY DISCLAIMS ALL OTHER WARRANTIES AND CONDITIONS RESPECTING THE PRODUCT, WHETHER EXPRESS OR IMPLIED, INCLUDING, BUT NOT LIMITED TO, ANY IMPLIED WARRANTY OR CONDITION OF MERCHANTABILITY OR FITNESS FOR A PARTICULAR PURPOSE, AND NO REPRESENTATIONS SHALL BE BINDING ON LG CANADA. LG CANADA DOES NOT AUTHORIZE ANY PERSON TO CREATE OR ASSUME FOR IT ANY OTHER WARRANTY OBLIGATION OR LIABILITY IN CONNECTION WITH THE PRODUCT. TO THE EXTENT THAT ANY WARRANTY OR CONDITION IS IMPLIED BY LAW, IT IS LIMITED TO THE EXPRESS WARRANTY PERIOD ABOVE. LG CANADA, THE MANUFACTURER OR DISTRIBUTOR SHALL NOT BE LIABLE FOR ANY INCIDENTAL, CONSEQUENTIAL, SPECIAL, DIRECT OR INDIRECT DAMAGES, LOSS OF GOODWILL, LOST PROFITS, PUNITIVE OR EXEMPLARY DAMAGES OR ANY OTHER DAMAGE, WHETHER ARISING DIRECTLY OR INDIRECTLY FROM ANY CONTRACTUAL BREACH, FUNDAMENTAL OR OTHERWISE, OR FROM ANY ACTS OR OMISSIONS, TORT, OR OTHERWISE. This warranty gives you specific legal rights. You may have other rights which may vary from province to province depending on applicable provincial laws. Any term of this warranty that negates or varies any implied condition or warranty under provincial law is severable where it conflicts with provincial law without affecting the remainder of this warranty's terms.

THIS LIMITED WARRANTY DOES NOT COVER:

1. Service trips to deliver, pick up, or install the product; instructing a customer on operation of the product; repair or replacement of fuses or correction of wiring or plumbing, or correction of unauthorized repairs/installation.
2. Failure of the product to perform during power failures and interruptions or inadequate electrical service.
3. Damage caused by leaky or broken water pipes, frozen water pipes, restricted drain lines, inadequate or interrupted water supply or inadequate supply of air.
4. Damage resulting from operating the Product in a corrosive atmosphere or contrary to the instructions outlined in the Product owner's manual.
5. Damage to the Product caused by accidents, pests and vermin, lightning, wind, fire, floods, or acts of God.
6. Damage resulting from the misuse, abuse, improper installation, repair, or maintenance of the Product. Improper repair includes use of parts not approved or specified by LG Canada.
7. Damage or product failure caused by unauthorized modification or alteration, or use for other than its intended purpose, or resulting from any water leakage due to improper installation.
8. Damage or Product failure caused by incorrect electrical current, voltage, or plumbing codes, commercial or industrial use, or use of accessories, components, or cleaning products that are not approved by LG Canada.
9. Damage caused by transportation and handling, including scratches, dents, chips, and/or other damage to the finish of your product, unless such damage results from defects in materials or workmanship and is reported within one (1) week of delivery.
10. Damage or missing items to any display, open box, discounted, or refurbished Product.
11. Products with original serial numbers that have been removed, altered, or cannot be readily determined. Model and Serial numbers, along with original retail sales receipt, are required for warranty validation.
12. Increases in utility costs and additional utility expenses.
13. Replacement of light bulbs, filters, or any consumable parts.
14. Repairs when your Product is used in other than normal and usual household use (including, without limitation, commercial use, in offices or recreational facilities) or contrary to the instructions outlined in the Product owner's manual.
15. Costs associated with removal of the Product from your home for repairs.
16. The removal and reinstallation of the Product if it is installed in an inaccessible location or is not installed in accordance with published installation instructions, including the Product owner's and installation manuals.
17. Accessories to the Product such as door bins, drawers, handles, shelves, etc.. Also excluded are parts besides those that were originally included with the Product.

All costs associated with the above excluded circumstances shall be borne by the consumer.

For complete warranty details and customer assistance, please call or visit our website:

Call 1-888-542-2623 (24 hours a day, 365 days a year) and select the appropriate option from the menu, or visit our website at <http://www.lg.ca>

Write your warranty information below:

Product Registration Information: _____

Model: _____

Serial Number: _____

Date of Purchase: _____



ESPAÑOL

MANUAL DEL PROPIETARIO LAVAVAJILLAS

Lea detenidamente este manual del propietario antes de poner en funcionamiento el producto y consérvelo a mano para referencia futura.

LDS5540ST/WW/BB

TABLA DE CONTENIDOS

3 INFORMACIÓN DE SEGURIDAD IMPORTANTE

- 3 Precauciones de seguridad básicas
- 4 Seguridad eléctrica
- 4 Antes de usar el lavavajillas

5 PIEZAS Y CARACTERÍSTICAS

- 5 Características
- 6 Piezas
- 6 Especificaciones
- 7 Panel de control
- 9 Tabla de opciones de ciclos
- 9 Tabla de selección de ciclos

10 INSTRUCCIONES DE FUNCIONAMIENTO

- 10 Comienzo rápido
- 11 Carga de la bandeja inferior
- 12 Ajuste de las puntas separadoras inferiores
- 13 Carga del cesto de cubiertos
- 13 Bandeja superior con altura ajustable
- 14 Carga de la bandeja superior
- 14 Ajuste de las puntas separadoras superiores
- 15 Cómo agregar detergente en el dispensador
- 16 Como agregar abrillantador en el dispensador

17 CUIDADO Y LIMPIEZA

- 17 Mantenimiento del lava vajillas
- 17 Limpieza de partes metálicas
- 17 Limpieza del brazo rociador superior
- 18 Limpieza del brazo rociador extremo
- 18 Mantenimiento y almacenamiento estacional

19 PREGUNTAS FRECUENTES

21 SOLUCIÓN DE PROBLEMAS

- 21 Antes de llamar al servicio técnico
- 23 Diagnóstico Inteligente

24 GARANTÍA

- 24 Información de registro del producto

INFORMACIÓN DE SEGURIDAD IMPORTANTE

LEA TODAS LAS INSTRUCCIONES ANTES DE UTILIZAR EL LAVAVAJILLAS

Tanto en este manual como en el equipo hemos proporcionado muchos mensajes de seguridad importantes. Siempre debe leer y cumplir todos los mensajes de seguridad.



Este es el símbolo de alerta de seguridad. Este símbolo le advierte posibles riesgos que pueden ocasionar daños en el artefacto o lesiones físicas graves, incluso la muerte.

El símbolo de alerta de seguridad siempre estará acompañado de las palabras "ADVERTENCIA" o "PRECAUCIÓN", seguido de un mensaje de seguridad importante. Estas palabras significan:

▲ ADVERTENCIA Indica la posibilidad de lesiones físicas graves o la muerte.

▲ PRECAUCIÓN Indica la posibilidad de lesiones físicas o daños al artefacto.

Este manual contiene información muy importante con respecto a la instalación, el uso y el mantenimiento de su lavavajillas. El fabricante no puede responsabilizarse por las lesiones o daños y perjuicios originados por la omisión en la observación de estas instrucciones de precaución y seguridad.

PRECAUCIONES DE SEGURIDAD BÁSICAS

▲ ADVERTENCIA Para disminuir el riesgo de incendios, descargas eléctricas o lesiones a las personas que usen este artefacto, siga las precauciones básicas, incluidas las siguientes:

- Lea atentamente todas las instrucciones antes de usar el lavavajillas.
- Utilice el lavavajillas únicamente para la función para la que fue diseñado.
- Sólo use detergentes y agentes de enjuague recomendados para lavavajillas. Mantenga los detergentes para lavavajillas y los aditivos fuera del alcance de los niños.
- Este artefacto no fue diseñado para ser utilizado por niños.
- Cuando cargue objetos para su lavado:
 - 1) Cargue los objetos cortantes de tal forma que no dañen el sello de la puerta.
 - 2) Cargue los cuchillos filosos con los mangos hacia arriba para disminuir el riesgo de lesiones personales cuando coloque las manos en el lavavajillas.
- No lave objetos plásticos en el lavavajillas a menos que

tengan la etiqueta "Apto para lavavajillas" o equivalente. Para cargar objetos plásticos que no estén etiquetados, consulte las recomendaciones del fabricante.

- No ponga en funcionamiento el lavavajillas a menos que todos los paneles de cerramiento estén en su debido lugar.
- No utilice indebidamente los controles.
- No maltrate ni se siente o pare sobre la puerta o las bandejas del lavavajillas.
- Para disminuir los riesgos de lesiones, no permita que los niños jueguen con o cerca del lavavajillas.
- Bajo ciertas condiciones, podría producirse gas hidrógeno en un sistema de agua caliente que no ha sido utilizado por dos semanas o más. EL GAS HIDRÓGENO ES EXPLOSIVO. Si el sistema de agua caliente no ha sido usado por tal período de tiempo, abra todas las llaves de agua y deje que fluya por varios minutos. Esto eliminará el gas hidrógeno acumulado. Dado que el gas hidrógeno es inflamable, no fume ni use ninguna llama abierta durante este proceso.
- Extraiga la puerta del compartimiento de lavado al desechar un lavavajillas usado.
- El instalador debe asegurarse de que el friegaplatos está totalmente cerrado en el momento de la instalación.

ADVERTENCIA: Este producto contiene químicos conocidos por el Estado de California como causantes de cáncer y defectos de nacimiento u otros daños reproductivos. **Lávese las manos después de usarlo.**

PRECAUCIONES DE SEGURIDAD BÁSICAS

⚠ ADVERTENCIA Para disminuir el riesgo de incendios, descargas eléctricas o lesiones a las personas que utilicen este artefacto, siga las precauciones básicas, incluidas las siguientes:

Para conectar el lavavajillas de forma permanente:

Este artefacto debe estar conectado a un sistema permanente de cableado de metal con descarga a tierra, o bien debe instalarse un conductor de puesta a tierra del equipo con los conductores de circuito y conectarse a una terminal de puesta a tierra del equipo o a un extremo del dispositivo. Consulte con un electricista calificado.

Sugerencias para evitar riesgos:

No aplique fuerza descendente excesiva en la puerta del lavavajillas abierta antes de instalarla, dado que esto podría ocasionar daños a la unidad o que ésta se caiga. No use el lavavajillas antes de que complete su instalación conforme a las "Instrucciones de instalación".

SEGURIDAD ELÉCTRICA

⚠ ADVERTENCIA

Riesgo de descarga eléctrica

La omisión de estas instrucciones puede resultar en la muerte, incendio, o descarga eléctrica.

- El lavavajillas DEBE estar conectado a tierra. Conecte el cable a tierra al conector a tierra de color verde en la caja de conexiones eléctricas.
- No utilice cables de extensión con este artefacto.
- El lavavajillas está diseñado para ser utilizado con corriente estándar doméstica (120 V CA, 60Hz). Antes de conectar el lavavajillas, asegúrese de que la salida o el cable esté conectado a tierra de forma adecuada y que esté polarizado por interruptores de circuito o fusibles. Una conexión a tierra inadecuada podría ocasionar una descarga eléctrica o el malfuncionamiento del artefacto. Consulte con un electricista calificado.
- No instale ni almacene el lavavajillas en un lugar donde esté expuesto a condiciones climáticas. La falta de observación de esta precaución podría resultar en descarga eléctrica, incendio, mal funcionamiento y/o deformación del lavavajillas.
- No dañe ni coloque objetos pesados sobre el cable tomacorriente del dispositivo. No utilice el lavavajillas si el cable tomacorriente está dañado. El daño del cable tomacorriente podría causar incendios o descargas eléctricas. Consulte con un electricista calificado.
- No agarre el cable tomacorriente ni toque los controles del lavavajillas con las manos húmedas. No utilice el lavavajillas si el cable o enchufe está dañado, y no enchufe el lavavajillas a un tomacorriente dañado. No seguir estas instrucciones podría resultar en una descarga eléctrica.
- El desmontaje y la reparación del equipo deben ser realizados por personas de mantenimiento experimentadas. El desmontaje o la reparación inadecuados podrían generar fallas en el producto o descargas eléctricas.

ANTES DE USAR EL LAVAVAJILLAS

Antes de usar el lavavajillas, lea las "Instrucciones de seguridad importantes".

La temperatura del suministro de agua debería ser de un mínimo de 120°F (49°C) para un mejor lavado y duración razonable del ciclo.

Por este motivo, utilice sólo el suministro de agua caliente. Además, es importante que el lavavajillas se cargue según las instrucciones para lograr una limpieza efectiva. Cuando cargue el lavavajillas, asegúrese de retirar los elementos insolubles, como ser huesos, palillos y restos de papel.

Cuando cargue el lavavajillas, siga las siguientes instrucciones generales:

1. Coloque los objetos más profundos en un ángulo para ayudar a que corra el agua y para contribuir con la velocidad del proceso de secado.
2. Retire los restos sólidos o quemados de la vajilla antes de cargarla en el lavavajillas.
3. Cargue sólo objetos que sean aptos para lavavajillas.

! NOTA

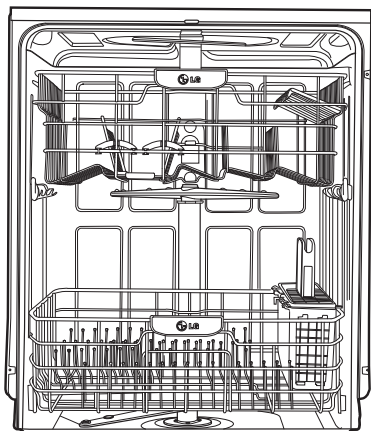
No cargue utensilios que no sean resistentes al calor, que tengan decoraciones en metal, etc.

GUARDE ESTAS INSTRUCCIONES

PIEZAS Y CARACTERÍSTICAS

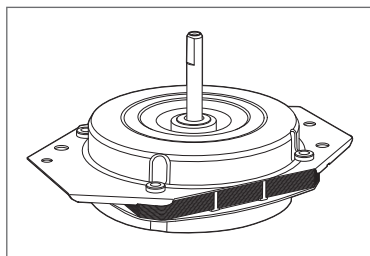
CARACTERÍSTICAS

AMPLIA CAPACIDAD



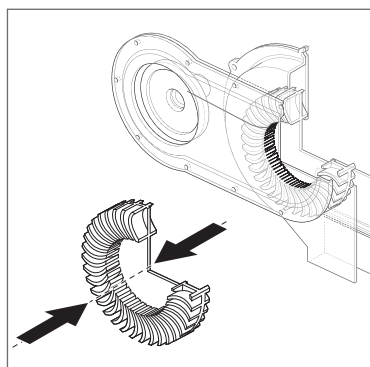
Los lavavajillas LG le permiten cargar objetos muy grandes, tanto en la bandeja superior como en la inferior. El compartimiento alto proporciona una capacidad general extra y espacio suficiente para acomodar vajilla de gran tamaño. Se pueden cargar objetos extra grandes (máx. 14 pulgadas) en la bandeja inferior si se levanta la bandeja superior.

SLIM DIRECT MOTOR™



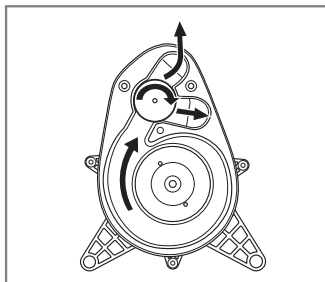
El nuevo Slim Direct Motor™ es un motor controlado por un inversor. La potencia de lavado se controla según la selección del ciclo. También ofrece una alta eficiencia de energía para minimizar el uso de energía.

SISTEMA DE SECADO HÍBRIDO



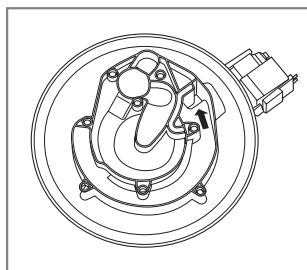
Este sistema seca la vajilla de forma efectiva sin usar elementos de calor que aumentan el consumo de energía.

SISTEMA DE ASPERSIÓN DE VARIO



La aspersión de agua se alterna entre la bandeja superior e inferior, por lo que toda la potencia del motor es dirigida a una bandeja a la vez. Esto concentra todo el poder de limpieza del motor sobre cada bandeja en turno.

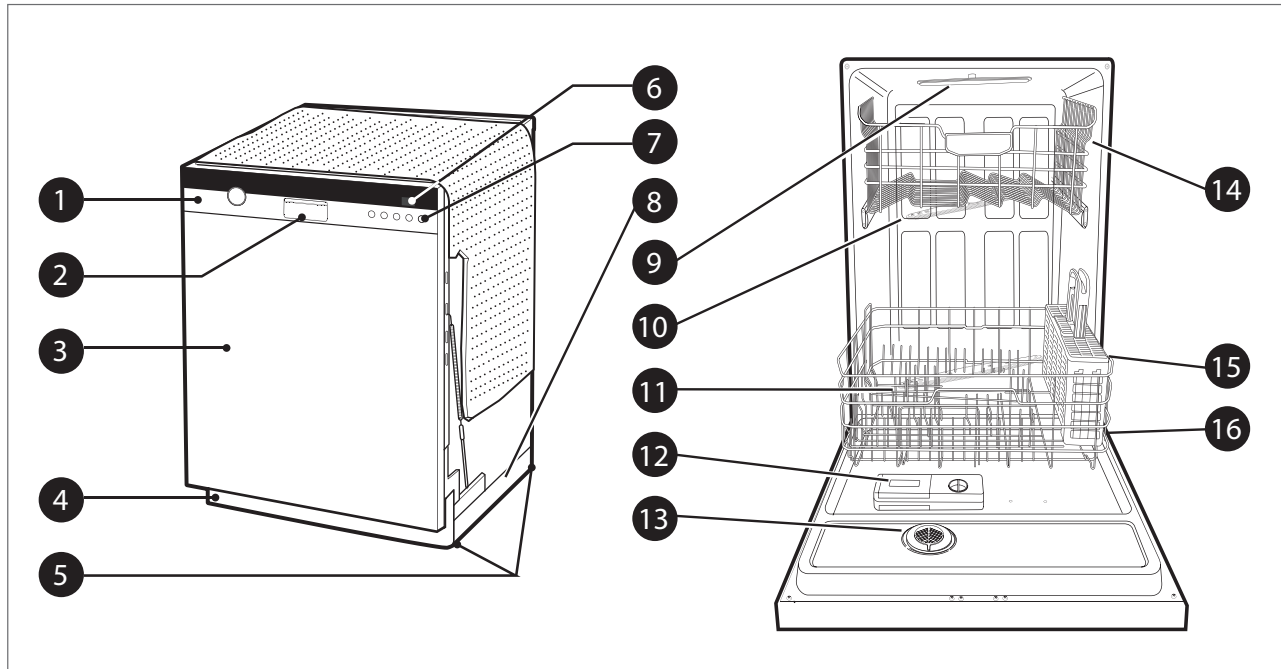
AMOLADORA DE ALIMENTOS BLANDOS Y FILTRO AUTOLIMPIABLE



Para mejores resultados de lavado, el lavavajillas LG tiene una amoladora incorporada de alimentos blandos y un filtro autolimpiable. La amoladora tritura los alimentos blandos y los residuos en pequeñas partículas que pueden ser capturadas en el filtro y descargadas por el desagüe. El sistema

de filtro autolimpiador, limpia continuamente el agua de lavado a medida que circula para separar cualquier residuo en el agua de lavado.

PIEZAS



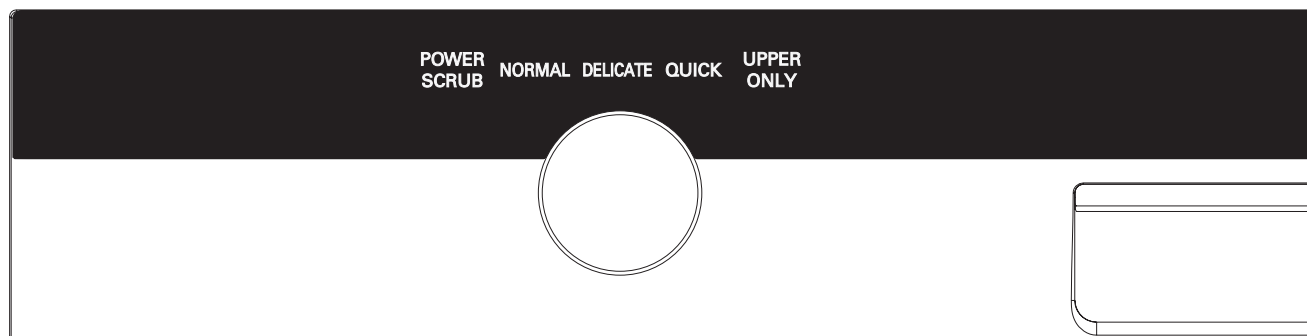
- | | |
|----------------------------|---|
| 1. PANEL DE CONTROL | 10. BRAZO ROCIADOR SUPERIOR |
| 2. MANIJA DE LA PUERTA | 11. BRAZO ROCIADOR INFERIOR |
| 3. CUBIERTA FRONTAL | 12. DETERGENTE Y DISPENSADOR DE ABRILLANTADOR |
| 4. CUBIERTA INFERIOR | 13. CUBIERTA DE VENTILACIÓN DE SECADO |
| 5. PIES DE NIVELACIÓN | 14. BANDEJA SUPERIOR |
| 6. PANTALLA | 15. CESTO DE CUBIERTOS |
| 7. BOTÓN POWER (ENCENDIDO) | 16. BANDEJA INFERIOR |
| 8. BASE | |
| 9. BRAZO ROCIADOR EXTREMO | |

ESPECIFICACIONES

Modelo: LDS5540ST/WW/BB	
Suministro de energía	120V, sólo 60 Hz AC, interruptor de circuito mínimo de 15A
Presión de agua	20–120 psi (140–830 kPa)
Tamaño (ancho x profundidad x altura)	23 3/4" x 24 5/8" x 33 1/2" (603 mm x 625 mm x 851mm)
Temperatura del agua de entrada	un mínimo de 120°F (49°C)
Peso del producto	90.8 lbs. (41.2 kg)

La apariencia y las especificaciones contenidas en este manual están sujetas a variaciones sin previo aviso.

PANEL DE CONTROL



Ciclos

Seleccione el ciclo deseado.

POWER SCRUB (RESTREGADO FUERTE)

Este ciclo es para la vajilla extremadamente sucia.

NORMAL

Este ciclo es para las cargas diarias, de suciedad normal.

DELICATE (DELICADO)

Este ciclo está diseñado para limpiar elementos delicados de forma efectiva, como por ejemplo porcelana fina y copas.

QUICK (RÁPIDO)

Este es un ciclo abreviado diseñado para lavar cargas recién usadas o con poca suciedad, pero sin secado.

UPPER ONLY (SOLO ARRIBA)

Este ciclo es sólo para el lavado de los artículos colocados en la bandeja superior.

CHIME ON/OFF (ALARMA ENCENDIDA/APAGADA)

Para activar o desactivar la alarma, primero debe encender el lavavajillas. Mantenga presionado los botones "Extra Dry" y "Delay Start" de manera simultánea durante aproximadamente tres segundos.

CANCELAR

Para cancelar un ciclo, abra la puerta y mantenga presionados los botones "Extra Dry" y "Extra Rinse" a la vez durante aproximadamente tres segundos. La bomba de desagüe se desactivará y se cancelará el ciclo. En la pantalla aparecerá "dr" y el lavavajillas desagotará el agua. Luego de que se desagote el lavavajillas, la electricidad se apagará.

Si conecta la electricidad, pero no selecciona ningún ciclo, el lavavajillas se apagará en cuatro minutos.

PANEL DE CONTROL



Opciones de ciclo

Elija el ciclo deseado y luego seleccione las opciones para ese ciclo.

SANITARY (HIGIÉNICO)

Este enjuague de alta temperatura higieniza la vajilla y la cristalería cumpliendo con el Estándar NSF/ANSI 184 para lavavajillas domésticos. Los lavavajillas certificados no son aptos para establecimientos alimentarios autorizados.

EXTRA DRY (EXTRA SECO)

Seleccione la opción "EXTRA DRY" para un mejor rendimiento de secado. Esta opción agrega 30 minutos de tiempo de secado extra al ciclo. El botón "EXTRA DRY" se iluminará cuando se haya seleccionado la opción.

EXTRA RINSE (EXTRA ENJUAGUE) (R+)

El símbolo "EXTRA RINSE" indica que se agregó un enjuague extra al ciclo. Un enjuague extra puede ayudar a reducir en gran medida manchas de agua dura en la vajilla. Para agregar un enjuague extra, presione el botón "Rinse" repetidamente hasta que aparezca el símbolo "Extra Rinse" en la pantalla.

DELAY START (INICIO RETARDADO)

La función "Delay Start" le permite retrasar el comienzo de un ciclo seleccionado. Cada vez que se presiona el botón "Delay Start", el tiempo de retraso aumentará una hora. El tiempo de retraso de la iniciación puede establecerse de 1 a 24 horas, en incrementos de una hora.

CHILD LOCK (BLOQUEO INFANTIL)

La función "CHILD LOCK" ayuda a evitar que se cambien los ajustes durante el ciclo. La selección de esta función bloquea todos los botones, excepto el botón "Power" (Encendido) en el panel de control. Esta función no bloquea la puerta.

Para activar el bloqueo infantil:


1. Presione el botón "Power" (Encendido).
2. Seleccione el ciclo (y las opciones deseadas).
3. Mantenga presionado los botones "Extra Rinse" y "Delay Start" durante aproximadamente tres segundos. El indicador "Child Lock" se iluminará en la pantalla una vez que esté activado.

DIGITAL DISPLAY (PANTALLA DIGITAL)

"Digital Display" en el panel de control muestra el tiempo ESTIMATIVO del ciclo. Cuando se enciende el lavavajillas, la

pantalla está en blanco. Cuando se seleccionan el ciclo y las opciones, la pantalla muestra el tiempo estimado total para completar dichas selecciones. Durante el funcionamiento, la pantalla muestra el tiempo de funcionamiento estimado restante.

! NOTA

- El tiempo estimado que se muestra en la pantalla no incluye los retrasos del calentamiento del agua, etc.
- Si se selecciona "Delay Wash" (Lavado Retardado), la pantalla muestra el tiempo de retraso en horas.
- El tiempo puede variar dependiendo del nivel de suciedad de la carga.
- El símbolo "RINSE AID"  (ABRILLANTADOR) indica que el abrillantador necesita recargarse.

POWER (ENCENDIDO)

- Presione el botón "Power" para encender el panel de control. Si no se selecciona ningún ciclo en el lapso de cuatro minutos, el lavavajillas se apagará.
- Luego de que el ciclo finaliza, la electricidad se corta automáticamente por cuestiones de seguridad y economía.
- En caso de sobrecarga de energía, pérdida de energía o alteración de cualquier tipo, aparecerá el indicador PF y la electricidad se cortará automáticamente por cuestiones de seguridad. Será necesario reiniciar el ciclo.

SMART DIAGNOSIS (DIAGNÓSTICO INTELIGENTE)

En caso de que su lavavajillas experimente cualquier problema, éste tiene la capacidad de transmitir información a su Smart Phone mediante la aplicación "LG Smart Laundry & DW", o al centro de atención al cliente de LG a través de su teléfono.

! NOTA

Smart Diagnosis es una característica de solución de problemas diseñada para asistir, no para sustituir, el método tradicional de resolución de problemas a través de llamadas telefónicas de servicio. La efectividad de esta característica depende de varios factores, incluyendo, pero no limitados a, la recepción del teléfono móvil que se utiliza para la transmisión, cualquier ruido externo que pueda estar presente durante la transmisión y la acústica de la habitación donde se encuentra la máquina. En consecuencia, LG no garantiza que Smart Diagnosis pueda solucionar de manera precisa un asunto sobre cualquier problema dado.

TABLA DE OPCIONES DE CICLOS

La siguiente guía de ciclos muestra los ajustes predeterminados y las opciones disponibles para cada ciclo.

Ciclo	Higienico	Extra Seco	Extra Enjuague	Higienico Extra Seco	Higienico Extra Enjuague	Extra Seco Extra Enjuague	Higienico Extra Seco Extra Enjuague	Inicio retardado
Power Scrub (Restregado fuerte)	●	●	●	●	●	●	●	●
Normal	●	●	●	●	●	●	●	●
Delicate (Delicado)	●	●	●	●	●	●	●	●
Quick (Rapido)		●						●
Upper Only (Solo arriba)								●

TABLA DE SELECCIÓN DE CICLOS

La siguiente guía de ciclos muestra los ajustes predeterminados y las opciones disponibles para cada ciclo.

Ciclo	Wash			Rinse			Secar	*Uso de agua	**Tiempo del ciclo
	Pre 1	Pre 2	Lavado principal	Enjuague 1	Enjuague 2	Enjuague caliente			
Power Scrub (Restregado fuerte)	●	●	145°F 63°C ●	●	●	154°F 68°C ●	●	7,7 gal. 29 L	166 min.
Normal	●	●	140°F 60°C ●	●		149°F 65°C ●	●	6,3 gal. 24 L	141 min.
Delicate (Delicado)	●	●	122°F 50°C ●	●		154°F 68°C ●	●	6,1 gal. 23 L	130 min.
Quick (Rapido)	●		115°F 46°C ●	●		140°F 60°C ●	●	5 gal. 19 L	84 min.
Upper Only (Solo arriba)	●	●	140°F 60°C ●	●		149°F 65°C ●	●	6,1 gal. 23 L	107 min.

* El consumo de agua real varía según el nivel de suciedad y la dureza del agua.

** Los tiempos reales de los ciclos varían dependiendo del nivel de suciedad, la temperatura y la dureza del agua.

INSTRUCCIONES DE FUNCIONAMIENTO

COMIENZO RÁPIDO

1. CARGUE LA VAJILLA

Retire el exceso de comida, huesos y de cualquier otro residuo no soluble de la vajilla. Tire de la bandeja hacia afuera y cargue la vajilla tal como se lo describe en este manual.

2. MIDA EL DETERGENTE

Siguiendo las instrucciones contenidas en este manual, llene el recipiente de detergente con la cantidad recomendada y cierre la tapa. Si desea realizar un pre-lavado, la apertura en la parte superior de la tapa también debe llenarse con detergente.

3. ENCIENDA EL LAVAVAJILLAS

Para encender el panel de visualización, presione el botón "Power".

4. CONTROLE EL ABRILLANTADOR

La luz indicadora del abrillantador se iluminará si el nivel de abrillantador está bajo. Agregue abrillantador si el nivel es bajo para mantener la efectividad del ciclo de secado.

5. SELECCIONE EL CICLO Y LAS OPCIONES

Seleccione el ciclo y las opciones que mejor se ajusten a la carga según la tabla de selección de ciclos. La pantalla mostrará el tiempo estimado del ciclo y las opciones seleccionadas.

6. CIERRE LA PUERTA

El lavavajillas se iniciará automáticamente, luego de una pequeña demora, una vez que se cierre y trabe la puerta. Durante el ciclo, la pantalla mostrará el tiempo estimado restante del ciclo y las opciones seleccionadas. Si se abre la puerta durante el ciclo, el lavavajillas se detendrá. Cuando se cierra la puerta, el ciclo se reanuda desde el punto en el que se detuvo.

7. FIN DEL CICLO

Cuando el ciclo finaliza, suena una alarma y la pantalla muestra "END" (FIN). Luego de un tiempo breve, la pantalla y los controles se apagan por cuestiones de seguridad y ahorro de energía.

⚠ PRECAUCIÓN

Vacíe primero la bandeja inferior y luego la bandeja superior. Esto evitará que el agua de la bandeja superior caiga sobre la vajilla de la bandeja inferior.

⚠ ADVERTENCIA

En general, no se recomienda abrir la puerta mientras el lavavajillas se encuentra en funcionamiento. Si se abre la puerta, un dispositivo de seguridad detendrá el lavavajillas. Debe tener cuidado al abrir la puerta inmediatamente luego de la finalización del ciclo, dado que puede producirse escape de vapor.

APAGADO AUTOMÁTICO

El lavavajillas se apaga automáticamente si no se selecciona ningún ciclo o si no se cierra la puerta en cuatro minutos.

CARGA DE LA BANDEJA INFERIOR

⚠ PRECAUCIÓN

OBJETOS NO ADECUADOS PARA EL LAVAVAJILLAS

La combinación de agua a altas temperaturas y de detergentes para lavavajillas puede dañar ciertos objetos. LG recomienda no lavar los siguientes objetos en el lavavajillas:

- Vajilla pintada a mano con oro o plata
- Utensilios de madera o hueso
- Utensilios de hierro o fácilmente oxidables
- Objetos de plástico no aptos para lavavajillas

En caso de duda, consulte las recomendaciones del fabricante.

El compartimiento extra permite cargar platos, cacerolas y otros utensilios de hasta 14 pulgadas de alto.

Se recomienda utilizar la bandeja inferior para platos llanos, platos soperos, pocillos, potes, cacerolas, tapas y bandejas. Los platos deben colocarse en posición vertical, orientados hacia el centro de la bandeja. Los potes, las cacerolas y los bowls grandes deben girarse para que su parte interior quede orientada hacia abajo. El cesto para cubiertos puede utilizarse tanto en la bandeja inferior como en la superior.

BASTIDOR DE CARGA CONSEJOS

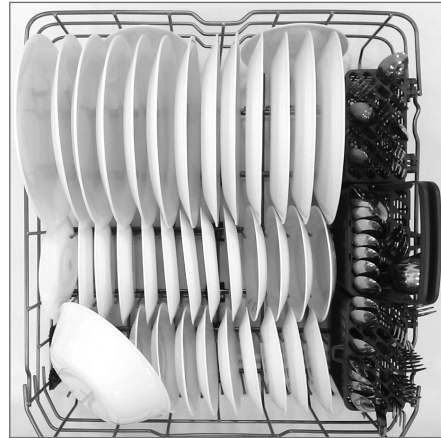
CARGA DE 10 AJUSTES DE POSICIONES



- Cargar los platos, los bowls soperos, etc. entre los soportes.
- Cargue las bandejas para hornear, los moldes para tortas y otros objetos grandes en los laterales o en la parte trasera de la bandeja. Cargar estos objetos en la parte frontal del lavavajillas puede evitar que la aspersión de agua alcance el dispensador de detergente.
- Asegúrese que los mangos y otros elementos grandes no obstruyan la rotación de los brazos rociadores.

La bandeja inferior no debe utilizarse para objetos pequeños, tales como pocillos, copas de vino o platos pequeños. Estos elementos deben colocarse en la bandeja superior.

CARGA DE 12 AJUSTES DE POSICIONES

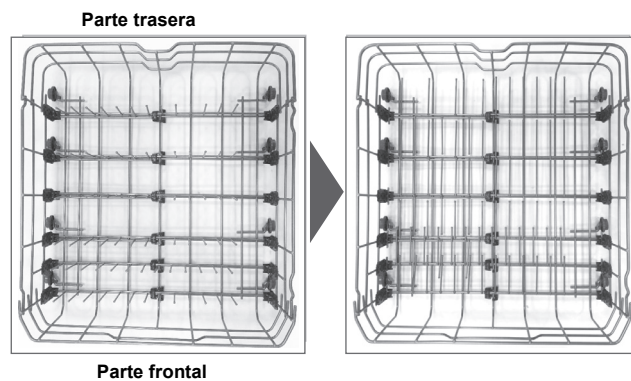


! NOTA

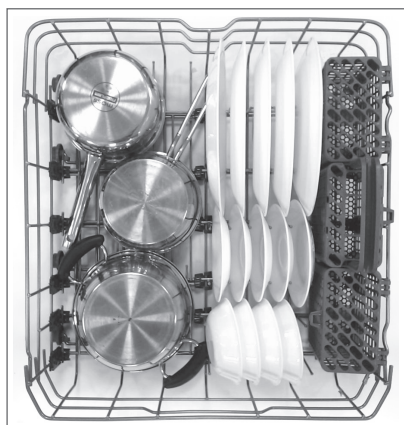
Make sure that large items do not interfere with the rotation of the spray arms, and do not prevent the detergent dispenser from opening.

AJUSTE DE LAS PUNTAS SEPARADORAS INFERIORES

Las puntas separadoras son ajustables para adecuarse a vajilla de diferente tamaño.



CARGA DE PLATOS Y OLLAS



CARGA DE OLLAS Y BOWLS



CARGA DEL CESTO DE CUBIERTOS

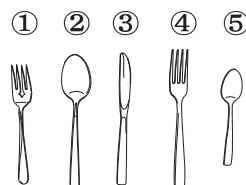
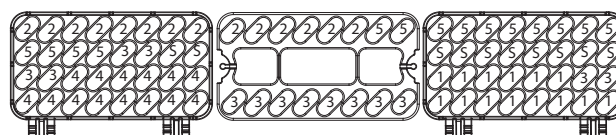
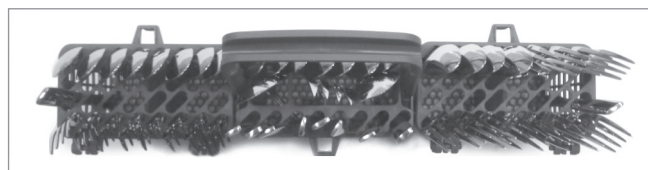
El cesto de cubiertos cuenta con separadores para evitar que se raspen y manchen los cubiertos delicados. El cesto puede dividirse en tres cestos separados que pueden utilizarse de forma individual tanto en la bandeja superior como en la inferior. Destrahe los separadores sobre el lateral derecho e izquierdo para separar el cesto.

⚠ ADVERTENCIA

Tenga cuidado al cargar y descargar objetos cortantes. Cargue los cuchillos filosos con los mangos hacia arriba para disminuir el riesgo de lesiones personales.

SUGERENCIAS PARA LA CARGA DE CUBIERTOS:

- Para obtener mejores resultados de limpieza, utilice los separadores superiores del cesto cuando cargue los cubiertos. Los separadores evitan que los cubiertos se amontonen.
- Cargue los objetos filosos, como por ejemplo los cuchillos, apuntando hacia abajo.
- Cuando descargue el lavavajillas, lo mejor es comenzar por el cesto de cubiertos. Esto evitará que caigan gotas de agua sobre los cubiertos desde la bandeja superior.

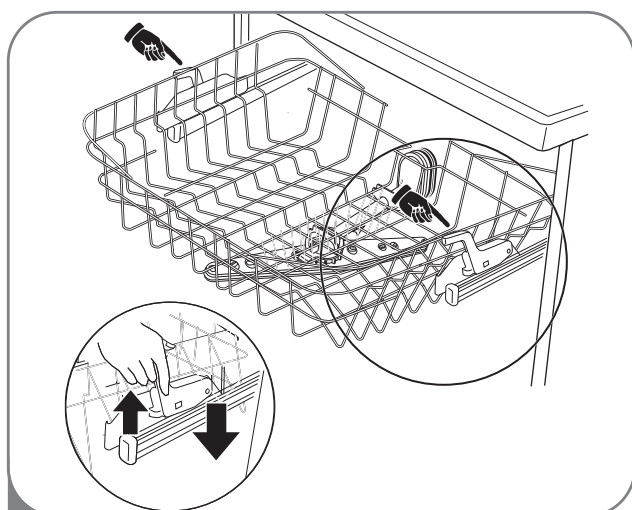


BANDEJA SUPERIOR CON ALTURA AJUSTABLE

La bandeja superior se ajusta hacia arriba y hacia abajo. Ajústela hacia arriba para dar lugar a objetos altos y grandes de más de 14 pulgadas de altura en la bandeja inferior. Ajústela hacia abajo para dar lugar a objetos altos y grandes con más de 12 pulgadas de altura en la bandeja superior. La bandeja superior queda ubicada en la posición superior.

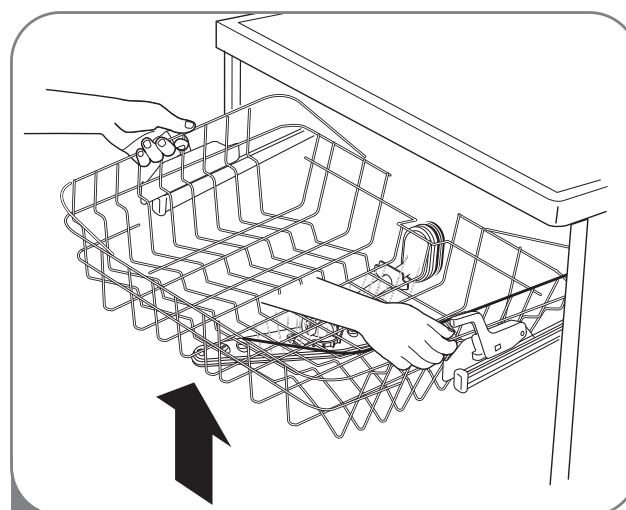
! NOTA

Luego de ajustar la altura de la bandeja, asegúrese de que la vajilla en las bandejas superior e inferior no interfiera con la rotación del brazo rociador. No ajuste la bandeja cuando esté cargada con vajilla.



1 Para bajar la bandeja:

Sostenga la bandeja del centro de cada lado para soportar su peso. Luego, levante la palanca de cada lado para soltar la bandeja y bájela hacia la posición inferior.



2 Para subir la bandeja:

Simplemente, levante la bandeja del centro de cada lado (véase ilustración) hasta que la bandeja se trabe en la posición superior. No es necesario levantar las palancas de bloqueo para levantar la bandeja.

CARGA DE LA BANDEJA SUPERIOR

Utilice la bandeja superior para cargar objetos pequeños o delicados, como ser platos pequeños, tazas, platillos, vasos y objetos plásticos aptos para lavavajillas. Las tazas, vasos y bowls deben posicionarse hacia abajo. Las tazas extras o los utensilios de cocina pueden colocarse en las bandejas plegables para tazas,

que también pueden proporcionar soporte a las copas largas. Asegúrese de que los objetos no obstruyan la rotación de los brazos rociadores sobre y debajo de la bandeja superior.

CARGA DE 10 AJUSTES DE POSICIONES



CARGA DE 12 AJUSTES DE POSICIONES

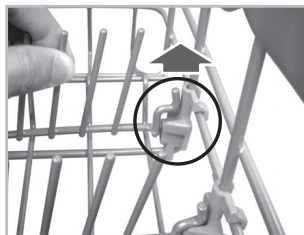


SUGERENCIAS PARA LA CARGA DE LA BANDEJA SUPERIOR:

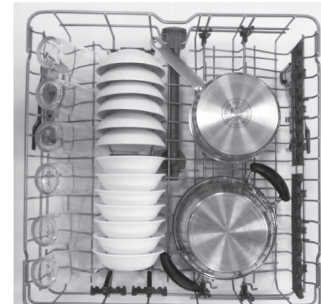
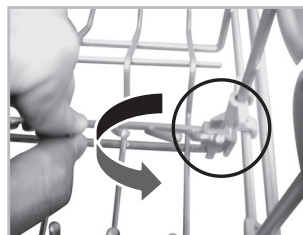
- Ubique las copas y los vasos en las filas entre las puntas separadoras de la bandeja. Colocarlos sobre las puntas separadoras puede ocasionar quebraduras y/o manchas de agua.
- Para evitar que se astillen, no permita que tengan contacto con otros objetos.
- Ubique los elementos con los extremos abiertos orientados hacia abajo para facilitar su limpieza y secado.
- No apile los objetos.

AJUSTE DE LAS PUNTAS SEPARADORAS SUPERIORES

Levante la punta.



Rote la punta.



Las puntas separadoras pueden ajustarse hacia arriba o hacia abajo. Las puntas separadoras del lado derecho tienen agarraderas para la vajilla más ancha o más pequeña.

CÓMO AGREGAR DETERGENTE EN EL DISPENSADOR

- Utilice solamente detergente especial para lavavajillas automáticos.
- El detergente debe colocarse en el compartimiento para detergente antes de comenzar cualquier ciclo.
- Utilice menos cantidad de detergente si la vajilla está ligeramente sucia. El uso excesivo de detergente puede dejar una película en la vajilla y en el lavavajillas, lo que resulta en un mal lavado.
- La cantidad de detergente necesario depende del ciclo, el tamaño de la carga y el nivel de suciedad de la vajilla.

! NOTA

Retire la etiqueta del dispensador antes de poner en funcionamiento el lavavajillas.



- 1 Si la tapa está cerrada, presione la palanca en el lado inferior de la puerta para abrir el dispensador.



- 2 Agregue detergente para lavavajillas en el compartimiento principal hasta que el nivel se encuentre entre las líneas marcadas en 20 y 30. Llénelo hasta la línea 30 en caso de agua dura o cargas con suciedad extrema. Llénelo hasta la línea 20 en caso de agua blanda o cargas con poca suciedad. Cierre la tapa con firmeza hasta que haga "clic".



- 3 Si desea efectuar un pre-lavado, llene con detergente el área del compartimiento de pre-lavado en la tapa.

! NOTA


El uso excesivo de detergente puede dejar una película en la vajilla y en el lavavajillas, lo que resulta en un mal lavado. No utilice detergente en pastillas para ciclos de lavado más cortos. La pastilla puede no disolverse por completo, causando ineficiencia y dejando restos de detergente en la vajilla.

! PRECAUCIÓN

INFORMACIÓN SOBRE EL DETERGENTE

Utilice únicamente detergente especial para lavavajillas automáticos. El uso de detergente no adecuado podría causar que el lavavajillas se llene de espuma durante el funcionamiento. El exceso de espuma puede reducir el rendimiento del lavado y hacer que el lavavajillas gotee. NO utilice detergente para lavado a mano en este lavavajillas.

CÓMO AGREGAR ABRILLANTADOR EN EL DISPENSADOR

 El indicador de Abrillantador insuficiente aparecerá en la pantalla cuando se necesite más abrillantador.

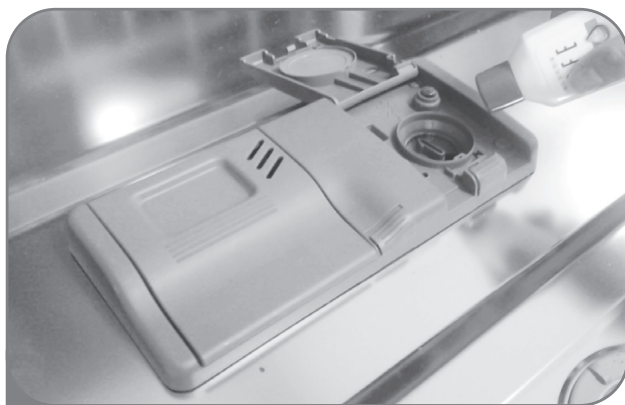
Se recomienda utilizar abrillantador para evitar que queden marcas de gotas de agua en la vajilla y para mejorar el rendimiento del secado.

! NOTA

Utilice solamente abrillantador líquido en este lavavajillas.



1 Presione el botón para abrir la tapa.

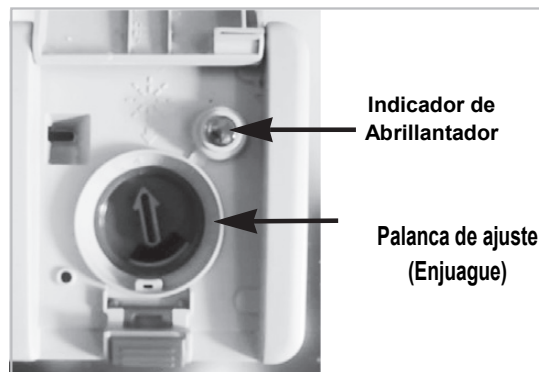


2 Agregue líquido abrillantador hasta el nivel máximo de llenado. Cuando llene el dispensador con abrillantador, apunte con el abrillantador a la flecha. Asegúrese de que el abrillantador ingrese en el dispensador.



3 Cierre la tapa para bloquear el dispensador. El abrillantador se dispensará automáticamente durante el ciclo final de enjuague

AJUSTE DEL DISPENSADOR DE ABRILLANTADOR



El dispensador de abrillantador viene configurado por defecto en el nivel 3, ya que es el nivel que ofrece el mejor rendimiento en la mayoría de los casos. Reajuste la configuración a un nivel más elevado si tiene agua dura o si nota la formación de calcio en su vajilla.


Si nota que se forma película en su vajilla, utilice un ajuste más bajo. Ajustar el control del abrillantador a un nivel demasiado bajo producirá manchas y vetas en la vajilla, así como también un bajo rendimiento de secado. Ajustar el control a un nivel demasiado elevado puede causar espumación, lo que resultará en un bajo rendimiento de lavado.

Para regular el ajuste del dispensador de abrillantador, retire la tapa y ajuste la palanca del abrillantador hacia el nivel deseado. Coloque la flecha hacia la izquierda para un ajuste menor y hacia la derecha para un ajuste mayor.

RECARGA DE ABRILLANTADOR

La regularidad con la que se debe recargar el dispensador depende de la regularidad con la que se lave la vajilla y el nivel de ajuste utilizado. Si el nivel del abrillantador es insuficiente, la luz "Rinse Aid" (Abrillantador) se encenderá en el panel de control.

SUGERENCIAS PARA LA RECARGA DE ABRILLANTADOR:

-  El indicador de Abrillantador insuficiente aparecerá en la pantalla cuando se necesite agregar más abrillantador.
- No llene en exceso el dispensador de abrillantador.
- Limpie cualquier abrillantador que haya quedado derramado a fin de evitar la espumación.

CUIDADO Y LIMPIEZA

Para obtener mejores resultados, es importante controlar y cuidar periódicamente los brazos rociadores.

⚠ ADVERTENCIA

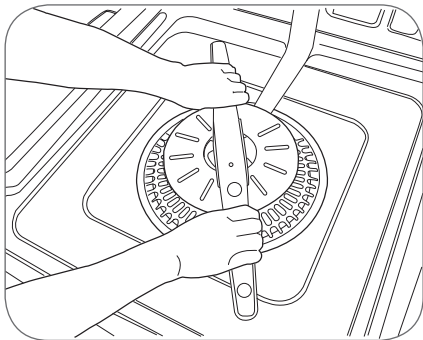
Para evitar lesiones físicas durante el cuidado y el mantenimiento/limpieza, use guantes y/o prendas protectoras.

MANTENIMIENTO DEL LAVA VAJILLAS

Si no se utiliza el lavavajillas por un periodo de tiempo prolongado, ejecute el ciclo Quick (rápido) sin detergente. Cuando el ciclo haya terminado, limpie el lavavajillas de acuerdo con las instrucciones de CARE & CLEANING (CUIDADO Y LIMPIEZA) para eliminar los restos de comida en la parte inferior del lavavajillas y cierre la puerta.

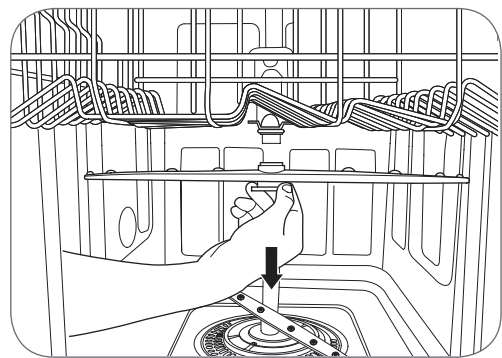
LIMPIEZA DE PARTES METÁLICAS

Algunas partes interiores y exteriores pueden limpiarse con un trapo o esponja húmeda. Podría formarse una película turbia en la superficie del compartimiento de acero inoxidable, especialmente con el agua dura.

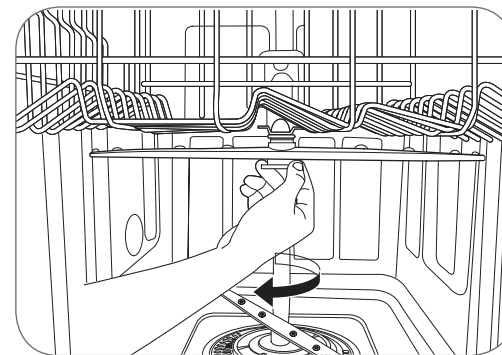


- Asegúrese de que los orificios propulsores de agua no estén obstruidos con partículas de alimentos.
- Cuando sea necesario realizar una limpieza, extraiga el brazo rociador tirando hacia arriba.
- Luego de limpiar el brazo rociador inferior, vuelva a colocarlo presionándolo hacia abajo hasta que encastre en su lugar. Asegúrese de que el brazo rociador pueda girar libremente.

LIMPIEZA DEL BRAZO ROCIADOR SUPERIOR

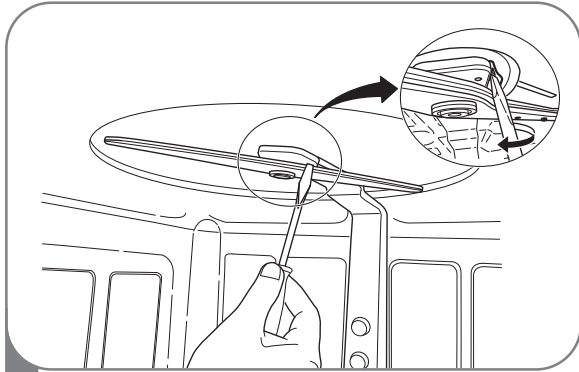


- Tire de la bandeja superior hacia afuera. Asegúrese de que los orificios propulsores de agua no estén obstruidos con partículas de alimentos.
- Cuando sea necesario realizar una limpieza, extraiga el brazo rociador superior al girando la tuerca ubicada en la parte inferior del brazo 1/8 en sentido contrario a las agujas del reloj, y empújela hacia abajo.

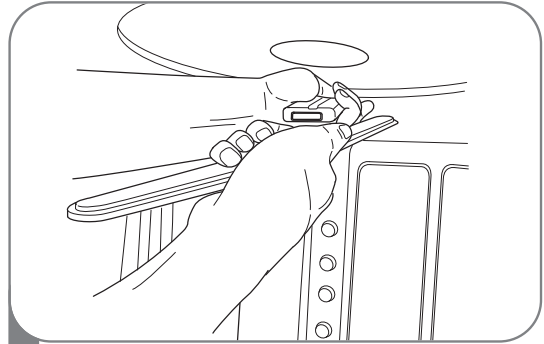


- Luego de limpiar el brazo rociador superior, vuelva a colocarlo en su lugar. Gire la tuerca 1/8 en sentido de las agujas del reloj para asegurarse de que la tuerca se bloquee nuevamente en su lugar.

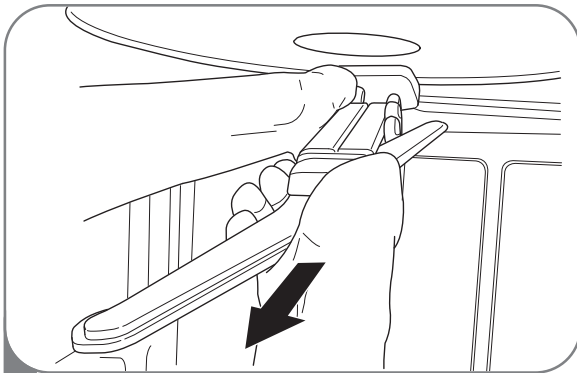
LIMPIEZA DEL BRAZO ROCIADOR EXTREMO



- 1 Asegúrese de que los orificios propulsores de agua no estén obstruidos con partículas de alimentos. Cuando sea necesario realizar una limpieza, utilice un destornillador para desajustar el gancho de sujeción de la abrazadera que sostiene el ensamble del brazo rociador extremo al compartimiento.



- 3 Luego de limpiar el brazo rociador extremo, vuelva a colocarlo. Deslícelo nuevamente hacia su lugar y asegúrese de que el gancho de sujeción quede bien sujeto.



- 2 Tire del brazo rociador. hacia afuera y extráigalo

MANTENIMIENTO Y ALMACENAMIENTO ESTACIONAL

- En caso de que vaya a ausentarse por un extenso periodo de tiempo durante los meses más calurosos, se recomienda que cierre la válvula de agua, desenchufe el cable tomacorriente o apague el interruptor de corriente.
- En caso de que vaya a ausentarse por un extenso periodo de tiempo durante los meses más fríos, y exista la posibilidad de que hayan temperaturas heladas, se recomienda que prepare las líneas de suministro de agua y el mismo lavavajillas para el invierno. La preparación para el invierno debe ser realizada por personal de servicio experimentado.

PREGUNTAS FRECUENTES

PREGUNTAS COMUNES ACERCA DEL PRODUCTO

¿Es necesario utilizar un abrillantador?

Es altamente recomendable utilizar un abrillantador para mejorar el rendimiento del secado del lavavajillas. Para ganar eficiencia en el consumo de energía, el sistema de secado híbrido no utiliza un elemento de calor para asistir el secado, de manera que el abrillantador cumple un rol crucial en dicho proceso. Si no se utiliza un abrillantador, puede quedar agua en la vajilla o en el compartimiento. El abrillantador ayuda a garantizar que la mayor parte del agua sea removida de la vajilla al final del enjuague y que la carga esté lista para el ciclo de secado.

¿Qué puedo hacer si mi vajilla queda con una película turbia o blanca después del lavado?

Generalmente, la película turbia se origina por los minerales del agua que reaccionan con el detergente del lavavajillas. En primer lugar, asegúrese de no utilizar demasiado detergente. Consulte el manual del usuario para conocer las cantidades de detergente recomendadas por ciclo. Agregue un "Power Scrub" al ciclo. Los lavavajillas LG utilizan menos agua que los lavavajillas tradicionales; por lo tanto, agregar un enjuague extra ayudará a quitar la película. Si el suministro de agua es duro, podría necesitarse un impulsor de rendimiento que trate la condición de agua dura.

¿Qué es el enjuague higiénico ("Sanitary Rinse") y cómo se activa?

La función "Sanitary Rinse" (Enjuague Higiénico) aumentará la temperatura de enjuague a aproximadamente 161°F (72°C). La temperatura de enjuague caliente normal varía de ciclo a ciclo.

¿Qué pasos debo seguir para mejorar los resultados de secado?

El rendimiento del secado se ve directamente afectado por la cantidad de calor que permanece en el compartimiento luego de que se ejecuta el enjuague caliente. Si su lavavajillas se encuentra alejado del calentador de agua de su casa, podría resultar necesario abrir la canilla de agua caliente del fregadero antes de iniciar el ciclo de lavado, para asegurarse de que se purgue el agua fría de las líneas de agua caliente. Esto garantizará que su lavavajillas tenga un suministro consistente de agua caliente desde el comienzo hasta el final. La utilización del ajuste "Sanitary Rinse" (Enjuague Higiénico) también ayudará a mantener la temperatura del tambor interno y la vajilla más caliente antes de que se inicie el secado.

Los lavavajillas LG están diseñados para ser utilizados conjuntamente con abrillantador. El abrillantador maximiza la cantidad de agua que se elimina de la vajilla antes de que comience el ciclo de secado. Si se utiliza un abrillantador y el rendimiento aún necesita ser mejorado, ajuste la cantidad de abrillantador

utilizada por el indicador en la tapa del abrillantador. 3 es el ajuste predeterminado, pero de ser necesario, fíjelo en el nivel 4 para que se utilice más cantidad de abrillantador.

Permita que el lavavajillas finalice por completo el ciclo de secado antes de abrir la puerta. Si la puerta se abre en pleno ciclo de secado, el calor necesario para el funcionamiento del sistema de secado híbrido se fugará. Esto provocará que toda la vajilla que se encuentra en el interior del lavavajillas permanezca húmeda cuando termine el ciclo.

¿Qué es el sistema de secado híbrido?

El lavavajillas no utiliza un elemento de calentamiento para el proceso de secado, sino que el calor es retenido por la vajilla y el compartimiento durante los ciclos de lavado y enjuague para luego convertir el vapor que se produce en el compartimiento en humedad. El aire caliente y húmedo del lavavajillas se introduce en un conducto de condensación ubicado en la puerta por medio de un ventilador. Luego, el aire se enfría y hace que la humedad se condense. El aire a temperatura ambiente también se introduce en el conducto para ayudar a enfriar el aire más rápido. Cuando la humedad se condensa en líquido, es desahogada.

! NOTA

Se requiere abrillantador para mejorar el rendimiento del secado. Si no se utiliza un abrillantador, el agua puede permanecer en la vajilla o en el compartimiento.

¿Por qué se escucha un silbido?

Es importante determinar cuánto tiempo dura el ruido y cuándo aparece (en qué parte del ciclo). Cuando ingresa el agua al lavavajillas, puede escucharse un silbido; esto es normal. Cuando la presión de agua es demasiado elevada, el sonido será más intenso; por lo cual, podría resultar necesario ajustar la válvula de agua para disminuir la presión si el sonido es demasiado fuerte.

¿Qué tipo de vajilla puede colocarse en el lavavajillas?

Asegúrese que la vajilla que coloque en el lavavajillas sea apta para lavavajillas. La vajilla plástica no se seca de manera tan efectiva como la vajilla de cristal o de metal. Los objetos plásticos no retienen tanto el calor como la vajilla de cristal o de metal. Las tazas y la vajilla de plástico podrían necesitar ser secadas a mano antes de guardarlas al finalizar el ciclo.

¿Puedo realizar solamente un ciclo de secado?

El lavavajillas no tiene una función de sólo secado; sin embargo, el lavavajillas se desagotará durante los primeros 45 segundos de un nuevo ciclo. Para desagotar el agua estancada, seleccione el ciclo de lavado y déjelo funcionar por tan sólo 45 segundos. Luego, apague la unidad y vuélvala a encenderla. Repita este paso según sea necesario.

¿Por qué mi lavavajillas emite un pitido continuo si abro la puerta durante o justo después de finalizado un ciclo?

Esto es normal. El lavavajillas le hace saber que las temperaturas interiores de la unidad están calientes y que debe tener cuidado cuando coloque sus manos en su interior. Cuando la unidad se enfría, el pitido se detiene.

CARACTERÍSTICAS DEL PRODUCTO Y FUNCIONAMIENTO**¿Qué es el bloqueo infantil (Child Lock) y cómo se activa?**

Child Lock (Bloqueo Infantil) es una función que evita que se cambien los controles durante el ciclo; no evita que se abra la puerta o que se apague la unidad. Para activar o desactivar esta función, presione los botones "Extra Rinse" y "Delay Start" de manera simultánea durante 3 segundos.

¿Por qué aparece "PF" en la pantalla?

"PF" no es un código de error que indique un mal funcionamiento. PF indica que hubo una falla en el suministro eléctrico. Esta función protege el lavavajillas en caso de que se corte la electricidad o que se interrumpa el suministro eléctrico de la unidad. Cuando regrese la electricidad y se presione un botón, este mensaje permanecerá por 10 segundos y luego desaparecerá.

INSTALACIÓN**¿De qué tamaño es el codo de 90°?**

El codo de 90° debe tener una rosca NPT de 3/8" en el extremo que se conecta al lavavajillas.

¿Puedo agregar una extensión a la manguera de desagüe?

No, no pueden agregarse extensiones.

ANTES DE LLAMAR AL SERVICIO TÉCNICO

Problema	Causas posibles	Soluciones
El lavavajillas no funciona	<p>La puerta no está bien cerrada.</p> <p>El suministro de energía o el cable tomacorriente no están conectados.</p> <p>El fusible está quemado o el interruptor de corriente está desactivado.</p>	<p>Asegúrese de que la puerta esté bien cerrada y trabada.</p> <p>Conecte el suministro de energía y el cable tomacorriente adecuadamente.</p> <p>Reemplace el fusible o vuelva a encender el interruptor de corriente.</p>
El lavavajillas funciona por demasiado tiempo	El lavavajillas está conectado al agua fría.	Controle la conexión del suministro de agua o el ajuste de calentamiento del agua. (Calentar el agua fría lleva más tiempo).
Olor	<p>El ciclo anterior se detuvo antes de finalizar.</p> <p>El lavavajillas no se usa a diario.</p>	<p>Ponga en funcionamiento el ciclo rápido ("Quick") con detergente sin cargar vajilla.</p> <p>Si el lavavajillas no se usa diariamente, se recomienda realizar un ciclo rápido una vez o dos veces al día hasta que tenga una carga completa. En caso de que el olor persiste, ejecute un enjuague con vinagre en un ciclo rápido, poniendo 2 taza (500 ml) de vinagre blanco en una taza de medir de pie en el cesto inferior, sin detergente. Recomendamos mantener de acuerdo con el CUIDADO Y LIMPIEZA.</p>
El agua permanece en el compartimiento luego de que el ciclo se complete.	La manguera de desagüe está plegada u obstruida.	Ajuste la manguera o elimine el bloqueo.
Manchas y películas en la vajilla	La temperatura del agua es baja.	El suministro de agua debe ser al menos de 120°F (49°C) para un mejor rendimiento de lavado.
	La cantidad de detergente es inadecuada.	Utilice la cantidad de detergente recomendada.
	Sobrecarga	No sobrecargue el lavavajillas.
	Carga inadecuada.	Consulte la sección "Uso del lavavajillas".
	Presión de agua insuficiente.	La presión de agua debería ser de entre 20 y 120 psi.
	Detergente insuficiente.	Agregue la cantidad de detergente recomendada. Consulte la sección "Uso del lavavajillas".
	El dispensador del abrillantador está vacío.	Recargue el dispensador del abrillantador.
<p>Agua extremadamente dura.</p> <p>La mejor forma de eliminar las manchas de su vajilla es instalar un ablandador de agua en su hogar. Si ya tiene un ablandador de agua instalado, o bien no planea instalar ninguno, pruebe agregando la opción "Power Scrub" como parte del ciclo de lavado para ayudar a minimizar esta condición. Para agregar un enjuague extra al ciclo, seleccione el ciclo de lavado y luego presione "Extra Rinse".</p> <p>Cómo eliminar el agua dura acumulada en el compartimiento</p> <p>Retire toda la vajilla, los cubiertos y el cesto para cubiertos del lavavajillas. Deben quedar únicamente las bandejas en el compartimiento.</p> <p>Llene una medida de taza con vinagre blanco, aproximadamente 14 a 17 onzas (400 a 500 mL), y coloque la medida en la bandeja inferior.</p> <p>Inicie un ciclo "Normal" y seleccione "Extra Rinse" (Enjuague Extra) y "Sanitary" (Higiénico); luego, cierre la puerta.</p> <p>NO USE DETERGENTE.</p> <p>NOTA: Asegúrese de permitir que el lavavajillas complete el ciclo en su totalidad. Este método de limpieza debe realizarse sólo si es necesario.</p>		

Si usted ha seguido esta guía de solución de problemas y el problema persiste, o si el problema que está experimentando no se encuentra en esta guía, comuníquese con el Servicio de Atención al Cliente de LG al teléfono 1-800-243-0000 (EE.UU.), 1-888-542-2623 (Canadá).

ANTES DE LLAMAR AL SERVICIO TÉCNICO

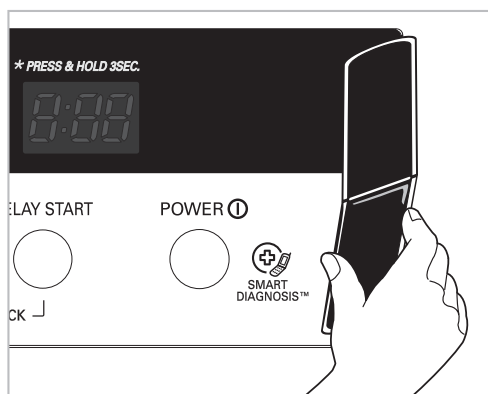
Problema	Causas posibles	Soluciones
Quedan restos de comida en la vajilla.	El ciclo seleccionado es inadecuado. La temperatura del agua está demasiado baja. No se utilizó detergente para el lavado de la vajilla. Hay baja presión de entrada del agua. Los orificios propulsores de agua de los brazos rociadores están bloqueados. La carga de vajilla inadecuada. Los filtros están obstruidos.	Seleccione el ciclo correcto según el nivel de suciedad y el tipo de vajilla a lavar. Controle la conexión del suministro de agua o el ajuste de calentamiento del agua. Use el detergente recomendado. La presión de agua debería ser de entre 20 y 120 psi. Limpie los brazos rociadores. Asegúrese de que la vajilla no obstruya la rotación del brazo rociador ni que interfiera con el dispensador de detergente. Limpie los filtros.
Ruido	Algunos ruidos son normales durante el funcionamiento. El lavavajillas no se encuentra a nivel. El brazo de la boquilla golpea contra la vajilla.	Abra la cubierta de detergente. Desagote la bomba al inicio del ciclo de desagote. Ajuste los pies de nivelación. Reposicione la vajilla.
Opacidad en la vajilla de cristal.	Hay una combinación de detergente y agua duro en exceso.	Use menos detergente y un abrillantador para minimizar el problema.
Marcas negras y grises en la vajilla.	Los objetos de aluminio rozan contra la vajilla durante el ciclo.	Reposicione la vajilla.
Película amarilla o marrón en las superficies internas del lavavajillas.	Manchas de té o café.	Elimine las manchas utilizando un producto quita manchas.
La vajilla no se seca.	El dispensador del agente de enjuague está vacío.	Controle y recargue el dispensador del agente de enjuague si está vacío.
Las lámparas no se encienden.	La electricidad está desconectada.	Conecte el suministro de energía.
Los brazos rociadores no rotan normalmente.	Los orificios de los brazos rociadores están bloqueados con partículas de comida.	Limpie los orificios de los brazos rociadores.
La bandeja superior está torcida.	La bandeja está mal ajustada.	Consulte la sección "Uso del lavavajillas".
El lavavajillas emite un pitido constante cuando la puerta está abierta, durante o justo luego de que finaliza un ciclo.	Los contenidos del lavavajillas están calientes y debería tener cuidado cuando coloca sus manos dentro del lavavajillas.	Cierre la puerta hasta que el lavavajillas y la vajilla se enfríen. El pitido finalizará si se cierra la puerta o cuando disminuya la temperatura interior.
Error IE	Hay un problema en la entrada de agua.	Controle que la manguera del agua no esté obstruida, plegada o congelada. Controle el suministro de agua.
Erro OE	Hay un problema en el desagüe.	Controle que la manguera del agua no esté obstruida, plegada o congelada.
Error FE	Excesiva cantidad de agua.	Comuníquese con un Centro de Servicio Autorizado de LG o con el Servicio de Atención al Cliente de LGE llamando al teléfono 1-800-243-0000 (EE.UU.), 1-888-542-2623 (Canadá)
Error HE	Fallas en el circuito de calentamiento.	
Error tE	Fallas en el termistor o temperatura del agua de entrada demasiado elevada (más de 194°F/90°C).	

Si usted ha seguido esta guía de solución de problemas y el problema persiste, o si el problema que está experimentando no se encuentra en esta guía, comuníquese con el Servicio de Atención al Cliente de LG al teléfono 1-800-243-0000(EE.UU.), 1-888-542-2623 (Canadá).

SISTEMA SMART DIAGNOSIS™ (DIAGNÓSTICO INTELIGENTE)

En caso de experimentar cualquier problema con su lavavajillas, éste tiene la capacidad de transmitir información a su Smart Phone (Teléfono Inteligente) mediante la aplicación "LG Smart Laundry & DW", o al centro de atención al cliente de LG a través de su teléfono.

"Smart Diagnosis" (Diagnóstico Inteligente) no puede activarse a menos que encienda su lavavajillas presionando el botón "Power" (Encendido). Si su lavavajillas no enciende, entonces el problema se deberá solucionar sin utilizar "Smart Diagnosis".



Smart Diagnosis a través de su Smart Phone

1. Descargue la aplicación "LG Smart Laundry & DW" en su Smart Phone (teléfono inteligente).
2. Abra la aplicación "LG Smart Laundry & DW" en su Smart Phone.
3. Presione el botón **Smart Diagnosis** de su teléfono inteligente.
4. Presione el botón **Diagnose** de su teléfono inteligente.
5. Presione el botón **Record** de su teléfono inteligente.
6. Presione el botón "RECORD" (Grabar) en el teléfono inteligente y luego sostenga la boquilla del teléfono cerca del orificio ubicado en el panel.
7. Presione y mantenga presionado el botón Sanitary en la pantalla del lavavajillas durante tres segundos.

! NOTA

Después de tres segundos, la pantalla cambiará de - : - a 17 y después empezará la cuenta hacia atrás del tiempo restante.

8. Con el teléfono ubicado en su lugar, presione el botón "Smart Diagnosis" (Diagnóstico inteligente) en el teléfono.

! NOTA

No toque ningún otro botón o ícono en la pantalla.

9. Sostenga el teléfono en el lugar hasta que finalice el tono de transmisión. Este proceso tomará aproximadamente 17 segundos y la pantalla mostrará el tiempo restante.
10. Cuando se completa la grabación, vea el diagnóstico presionando el botón "Next" (Siguiente) en el teléfono.

Smart Diagnosis mediante el Centro de Atención al Cliente

1. Comuníquese con el Centro de Atención al Cliente de LG llamando al teléfono: (LG EE.UU.) 1-800-243-0000 (LG Canadá) 1-888-542-2623.
2. Cuando reciba las instrucciones del representante de atención al cliente, sostenga la boquilla de su teléfono cerca del orificio ubicado en el panel. Sostenga el teléfono a no más de una pulgada de distancia, pero sin tocar la máquina.

! NOTA

No toque ningún otro botón o ícono en la pantalla.

3. Mantenga presionado el botón "Sanitary" en la pantalla durante tres segundos.
4. Sostenga el teléfono en el lugar hasta que finalice el tono de transmisión. Este proceso tomará aproximadamente 17 segundos y la pantalla mostrará el tiempo restante.
5. Una vez que finalice la cuenta regresiva y se detengan los tonos, reanude su conversación con el representante de atención al cliente, quien podrá asistirlo en el análisis de la información transmitida.

! NOTA

Smart Diagnosis es una característica de solución de problemas diseñada para asistir, no para sustituir, el método tradicional de resolución de problemas a través de llamadas telefónicas de servicio. La efectividad de esta característica depende de varios factores, incluyendo, pero no limitados a, la recepción del teléfono móvil que se utiliza para la transmisión, cualquier ruido externo que pueda estar presente durante la transmisión y la acústica de la habitación donde se encuentra la máquina. En consecuencia, LG no garantiza que Smart Diagnosis pueda solucionar de manera precisa un asunto sobre cualquier problema dado.

GARANTÍA LIMITADA DE LAVAVAJILLAS (EE.UU.)

En caso de que su lavavajillas LG presente alguna falla por defectos de materiales o de fabricación bajo uso normal durante el período de garantía establecido más abajo, el que será efectivo a partir de la fecha original de compra del producto por parte del consumidor final, LG Electronics reemplazará la/s pieza/s defectuosa/s. Las piezas de reemplazo tendrán la medida y función de las piezas originales correspondientes. Las piezas de reemplazo son garantizadas por el período restante del período original de garantía. Esta garantía limitada es válida únicamente para el comprador consumidor final original del producto, y únicamente aplica para los productos utilizados dentro de los Estados Unidos de América.

PERÍODO DE GARANTÍA	
Por el período de:	LG reemplazará:
Un (1) año desde la fecha original de compra	Cualquier pieza del lavavajillas que presente alguna falla por defectos de materiales o de fabricación. Durante esta garantía completa de un año a partir de la compra original del producto, LGE también proporcionará, sin cargo , todo servicio de mano de obra e in situ para reemplazar la pieza defectuosa.
Dos (2) años desde la fecha original de compra	Cualquier pieza del lavavajillas (salvo las enumeradas más abajo) que presente alguna falla por defectos de materiales o de fabricación. Durante esta garantía de piezas de dos años , usted será responsable por cualquier costo de servicio de mano de obra o in situ.
Cinco (5) años desde la fecha original de compra	El tablero de control electrónico o bandeja de lavavajillas que presente alguna falla por defectos de materiales o de fabricación. Durante esta garantía de piezas de cinco años , usted será responsable por cualquier costo de servicio de mano de obra o in situ.
Diez (10) años desde la fecha original de compra	Motor Direct Drive que presente alguna falla por defectos de materiales o de fabricación. Durante esta garantía de piezas de diez años , usted será responsable por cualquier costo de servicio de mano de obra o in situ.
Garantía limitada de por vida	Revestimiento de puerta y compartimiento de acero inoxidable (válido únicamente para el comprador original del producto) que presente alguna falla por defectos de materiales o de fabricación. Durante esta garantía de piezas limitada de por vida , usted será responsable por cualquier costo de servicio de mano de obra o in situ.
Los productos y las piezas de reemplazo podrán ser nuevos o remanufacturados. Los productos y piezas de reemplazo son garantizados por la parte restante del período original de garantía.	

Ninguna otra garantía aplica a este producto. LA PRESENTE GARANTÍA REEMPLAZA A CUALQUIER OTRA GARANTÍA, EXPRESA O IMPLÍCITA, INCLUYENDO DE MANERA ENUNCIATIVA MAS NO LIMITATIVA, CUALQUIER GARANTÍA DE COMERCIABILIDAD, O APTITUD PARA UN FIN PARTICULAR. EN LA MEDIDA EN QUE TODA GARANTÍA IMPLÍCITA ES OBLIGATORIA POR LA LEY, ÉSTA SE LIMITA AL PERÍODO DE GARANTÍA EXPRESA MENCIONADO MÁS ARRIBA. EL FABRICANTE Y SU DISTRIBUIDOR EN LOS EE.UU. NO SERÁN RESPONSABLES POR DAÑOS INCIDENTALES, CONSECUENTES, INDIRECTOS, ESPECIALES, O POR DAÑOS PUNITIVOS DE CUALQUIER NATURALEZA, INCLUYENDO DE MANERA ENUNCIATIVA MAS NO LIMITATIVA, DAÑO EMERGENTE O LUCRO CESANTE, O POR CUALQUIER OTRO DAÑO BASADO EN EL CONTRATO, ACTO ILÍCITO CIVIL EXTRACONTRACTUAL, U OTRO. Algunos estados y/o territorios no permiten la exclusión o limitación de daños o limitaciones incidentales o resultantes, o limitaciones sobre la duración de garantías implícitas, por lo tanto las limitaciones o exclusiones anteriores pueden no aplicarse en su caso. Esta garantía le otorga derechos legales específicos como comprador original, y usted también puede contar con otros derechos que pueden variar de Estado a Estado, o de territorio a territorio.

ESTA GARANTÍA LIMITADA NO CUBRE:

1. Viajes de servicio a su domicilio para entregar, recoger, instalar, instruir, reemplazar fusibles domésticos, conectar el cableado o la instalación de agua, o arreglar reparaciones no autorizadas.
2. Mal funcionamiento del producto durante fallas e interrupciones eléctricas o servicio eléctrico inadecuado.
3. Daño causado durante el transporte o manejo del producto.
4. Daño causado al producto por accidentes, plagas y pestes, rayos, vientos, fuego, inundaciones o actos de la Naturaleza.
5. Daños causados por cañerías de agua rotas o con pérdidas, cañerías de agua congeladas, conductos de desagüe restringidos, o suministro de agua inadecuado o interrumpido.
6. Daños causados por suministro inadecuado de aire.
7. Daños causados por la utilización del producto en una atmósfera corrosiva
8. Reparaciones cuando su producto LG es utilizado de manera distinta al uso hogareño, normal y corriente, o de manera contraria a las instrucciones delineadas en la Guía del Usuario del producto.
9. Daño causado por accidente, alteración, mal uso, abuso, instalación, reparación o mantenimiento inapropiados. La reparación inapropiada incluye la utilización de piezas no aprobadas o especificadas por LG.
10. El normal mantenimiento tal como se lo describe en la Guía del Usuario, como ser la limpieza o reemplazo de filtros, la limpieza de bobinas, etc.
11. El uso de accesorios o componentes que no sean compatibles con este producto.
12. Productos con números de serie alterados o borrados.
13. Cambios en la apariencia del producto que no afectan el rendimiento del producto.
14. Aumentos en los gastos de los servicios públicos y gastos adicionales en dichos servicios. Los costos de reparación o reemplazo de piezas. Todos los gastos de reparación o reemplazo de piezas bajo las circunstancias de exclusión mencionadas deberán ser afrontados por el consumidor.

Todos los gastos de reparación o reemplazo de piezas bajo las circunstancias de exclusión mencionadas deberán ser abonados por el consumidor.

Para obtener los detalles de la garantía y servicio de atención al cliente, sírvase comunicarse telefónicamente o visitar nuestro sitio Web:

Comuníquese al 1-800-243-0000 (24 horas al día, 365 días al año) y seleccione la opción apropiada del menú, o bien visite nuestro sitio Web en <http://us.lgservice.com>
O contáctese por correo electrónico: Centro de Información al Cliente de LG:

P. O. Box 240007
201 James Record Road
Huntsville, Alabama 35813
AT.: CIC

Información de registro del producto:

Modelo: _____

Número de serie: _____

Fecha de compra: _____

Nombre del Distribuidor: _____

GARANTÍA LIMITADA DE LAVAVAJILLAS (CANADÁ)

GARANTÍA: En caso de que su Lavavajillas LG (el "Producto") presente alguna falla por defectos de materiales o de fabricación bajo uso personal normal durante el período de garantía establecido más abajo, el mismo será reparado o reemplazado por LG, a su opción, previa presentación del recibo o factura original de compra. Esta garantía es válida únicamente para el comprador original del producto, y únicamente aplica para el Producto distribuido en Canadá, ya sea por LG Canadá o por distribuidor canadiense autorizado. Esta garantía es válida únicamente para Productos ubicados y utilizados dentro de Canadá.

PERÍODO DE GARANTÍA: (Nota: Si la fecha original de compra no pudiera ser verificada, la vigencia de la garantía comenzará a los sesenta (60) días a partir de la fecha de fabricación)			
Lavavajillas		Componente de Garantía Extendida (Sólo piezas) (El consumidor deberá abonar los gastos de servicio transcurrido un (1) año desde la fecha de compra)	
Dos (2) años a partir de la fecha original de compra por el consumidor final	Un (1) año a partir de la fecha original de compra por el consumidor final	Cinco (5) años a partir de la fecha original de compra por el consumidor final	Diez (10) años a partir de la fecha original de compra por el consumidor final
Piezas (sólo piezas internas/funcionales)	Mano de obra	Placa de circuito impreso (PCB), estantes, revestim. de puerta de acero inox, compartimiento	Motor DD

- Los productos y las piezas de reemplazo son garantizados por la parte restante del período original de garantía o por noventa (90) días, el que sea mayor.
- Los productos y las piezas de reemplazo podrán ser nuevos o remanufacturados.
- El Centro de Servicio Técnico Autorizado de LG garantiza su trabajo de reparación por treinta (30) días.

LA RESPONSABILIDAD EXCLUSIVA DE LG CANADÁ SE LIMITA A LA GARANTÍA ARRIBA EXPRESADA. SALVO LO EXPRESAMENTE PROVISTO MÁS ARRIBA, LG CANADÁ NO OTORGA Y POR LA PRESENTE NEGIA TODA OTRA GARANTÍA O CONDICIÓN RESPECTO AL PRODUCTO, EXPRESA O IMPLÍCITA, INCLUYENDO A TÍTULO ENUNCIATIVO MÁS NO LIMITATIVO CUALQUIER GARANTÍA O CONDICIÓN DE COMERCIABILIDAD, O APTITUD PARA UN FIN PARTICULAR; Y NINGUNA DECLARACIÓN SERÁ VINCULANTE PARA LG CANADÁ. LG CANADÁ NO AUTORIZA A NINGUNA PERSONA A CREAR O ASUMIR EN SU NOMBRE CUALQUIER OTRA OBLIGACIÓN DE GARANTÍA EN RELACIÓN CON EL PRODUCTO, EN LA MEDIDA EN QUE TODA GARANTÍA O CONDICIÓN ES IMPLÍCITA DE ACUERDO A LA LEY, ÉSTA SE LIMITA AL PERÍODO DE GARANTÍA EXPRESA MENCIONADO MÁS ARRIBA. LG CANADÁ, EL FABRICANTE O DISTRIBUIDOR NO SERÁN RESPONSABLES POR DAÑOS INCIDENTALES, CONSECUENTES, ESPECIALES, DIRECTOS O INDIRECTOS, PÉRDIDA DE LLAVE DE COMERCIO, GANANCIAS PERDIDAS, DAÑOS PUNITIVOS O EJEMPLARES, O CUALQUIER OTRO DAÑO, YA SEA QUE SURJAN DIRECTA O INDIRECTAMENTE DE CUALQUIER INCUMPLIMIENTO CONTRACTUAL, ESENCIAL O DE OTRO TIPO, O POR CUALQUIER ACCIÓN U OMISIÓN, ACTO ILÍCITO CIVIL EXTRA CONTRACTUAL, O CUALQUIER OTRO. Esta garantía le otorga los derechos legales específicos. Usted podría contar con otros derechos, que pueden variar de provincia a provincia, dependiendo de las leyes provinciales vigentes. Todo término incluido en esta garantía que negara o modificara cualquier condición o garantía implícita sujeto a la ley provincial es divisible y separable cuando entre en conflicto con la ley provincial sin afectar el resto de los términos de esta garantía.

ESTA GARANTÍA LIMITADA NO CUBRE:

- Viajes de servicio para entregar, recoger o instalar el producto; la instrucción al cliente sobre el funcionamiento del producto; la reparación o reemplazo de fusibles o, la corrección del cableado o de la instalación de agua, ni arreglo de reparaciones o instalaciones no autorizadas.
- Mal funcionamiento del producto durante fallas e interrupciones eléctricas o servicio eléctrico inadecuado.
- Daño causado por cañerías de agua rotas o con pérdidas, cañerías de agua congeladas, conductos de drenaje restringidos, provisión de agua interrumpida o inadecuada, o provisión inadecuada de aire.
- Daño causado por la utilización del Producto en una atmósfera corrosiva o contraria a las instrucciones incluidas en el manual del propietario.
- Daño al Producto ocasionado por accidentes, plagas y pestes, rayos, viento, inundaciones o actos de la Naturaleza.
- Daño causado por el mal uso, abuso, instalación, reparación o mantenimiento inapropiados del Producto. La reparación inapropiada incluye la utilización de piezas no aprobadas o especificadas por LG Canadá.
- Daño o mal funcionamiento del Producto causado por la modificación o alteración no autorizada, o utilización para otro uso que no fuera el previsto, o que resultara de cualquier pérdida de agua ocasionada por una instalación inapropiada.
- Daño o mal funcionamiento del Producto causado por corriente eléctrica o voltaje incorrectos, o códigos de cañería, utilización comercial o industrial, o por la utilización de accesorios, componentes o productos de limpieza no aprobados por LG Canadá.
- Daño causado por el transporte y manejo del Producto, incluidos rasguños, abolladuras, daño a la pintura y/o cualquier otro daño al acabado del producto, salvo que dicho daño hubiese sido causado por defectos en los materiales o mano de obra y se reportase dentro de una (1) semana a partir de la fecha de entrega.
- Daño o elementos faltantes de cualquier Producto de exposición, caja abierta, producto de descuento o restaurado.
- Productos con números de serie originales que hayan sido removidos, alterados o que no pueden ser determinados fácilmente. Se necesitan los números de Serie y el Modelo, junto con el recibo original de ventas, a fin de validar la garantía.
- Aumentos en los gastos de los servicios públicos y gastos adicionales en dichos servicios.
- Reemplazo de bombillas, filtros o de cualquier pieza consumible.
- Reparaciones cuando su Producto es utilizado de manera distinta al uso hogareño, normal y corriente (incluidos, a título ejemplificativo, usos comerciales, en oficinas o instalaciones de recreación) o contraria a las instrucciones incluidas en el manual del usuario del producto.
- Gastos relacionados con la desinstalación del Producto en su casa para su reparación.
- Remoción y reinstalación del Producto si es instalado en una ubicación a la que es imposible de acceder o si no está instalado de acuerdo con las instrucciones publicadas de instalación, incluidos los manuales de instalación y del propietario.
- Accesorios del producto, como ser bandejas de puerta, cajones, manijas, estantes, etc. También están excluidas las piezas que no hayan sido incluidas originalmente con el Producto.

Todos los gastos asociados con las circunstancias de exclusión mencionadas anteriormente deberán ser afrontados por el consumidor.

Para obtener los detalles de la garantía y servicio de atención al cliente, sírvase comunicarse telefónicamente o visitar nuestro sitio Web:
Comuníquese al 1-888-542-2623 (24 horas al día, 365 días al año) y seleccione la opción apropiada del menú, o bien visite nuestro sitio Web en <http://www.lg.ca>

Ingrese la información de su garantía aquí:
Información de registro del producto: _____
Modelo: _____
Número de serie: _____
Fecha de compra: _____

ESPAÑOL



FRANÇAIS

MANUEL DU PROPRIÉTAIRE LAVE-VAISSELLE

Veillez lire attentivement ce manuel du propriétaire avant de mettre l'appareil en fonctionnement, et le garder toujours à portée.

LDS5540ST/WW/BB

SOMMAIRE

3 INFORMATIONS IMPORTANTES DE SÉCURITÉ

- 3 Précautions d'usage
- 4 Sécurité électrique
- 4 Avant d'utiliser le lave-vaisselle

5 PIÈCES ET FONCTIONS

- 5 Fonctions
- 6 Pièces
- 7 Panneau de contrôle
- 9 Pièces et fonctions
- 9 Tableau de sélection de cycle

10 CONSIGNES DE FONCTIONNEMENT

- 10 Démarrage rapide
- 11 Chargement du panier inférieur
- 12 Rabattre le ratelier inférieur
- 13 Chargement du panier à couverts
- 14 Chargement du panier supérieur
- 14 Rabattre le ratelier supérieur
- 15 Ajout de détergent dans le distributeur
- 16 Ajout de produit de rinçage dans le distributeur

17 ENTRETIEN ET NETTOYAGE

- 17 Conserver le lave-vaisselle
- 17 Nettoyage des parties métalliques
- 17 Nettoyage du bras de lavage supérieur
- 18 Nettoyage du bras de lavage au sommet
- 18 Entretien saisonnier et stockage

19 QUESTIONS/RÉPONSES

21 DÉPANNAGE

- 21 Avant d'appeler le dépannage
- 23 Diagnostic Intelligent

24 GARANTIE

- 24 Informations d'enregistrement du produit

INFORMATIONS IMPORTANTES DE SÉCURITÉ

LISEZ TOUTES LES CONSIGNES AVANT UTILISATION

Votre sécurité et celle des autres est très importante.

Nous fournissons de nombreux conseils de sécurité importants dans ce manuel et sur votre appareil. Lisez toujours l'ensemble des messages de sécurité et respectez-les.



Ceci est un symbole de danger. Ce symbole vous alerte sur des dangers potentiels qui peuvent entraîner la destruction de l'appareil ou des blessures graves, voire la mort.

Le symbole de danger sera suivi par le mot « AVERTISSEMENT » ou « DANGER » puis par un message de sécurité important. Ces mots signifient :

⚠ AVERTISSEMENT Indique le risque de blessures graves ou de mort.

⚠ DANGER Indique le risque de blessure ou de destruction de l'appareil.

Ce manuel contient des informations très importantes concernant l'installation, l'utilisation et l'entretien de votre lave-vaisselle. Le fabricant ne peut être tenu responsable en cas de blessure ou de dégâts causés par le non-respect de ces consignes de sécurité.

PRÉCAUTIONS D'USAGE

⚠ AVERTISSEMENT **Pour réduire le risque d'incendie, de choc électrique ou de blessures durant le fonctionnement de l'appareil, respectez les précautions d'usage, y compris les suivantes :**

- Lisez attentivement toutes les consignes avant d'utiliser le lave-vaisselle.
- N'utilisez le lave-vaisselle que pour ses fonctions prévues.
- N'utilisez que les détergents et produits de rinçage recommandés pour un lave-vaisselle. Maintenez tous les détergents et produits hors de portée des enfants.
- Cet appareil n'est pas destiné à être utilisé par de jeunes enfants.
- Lors du remplissage du lave-vaisselle :
 - 1) Chargez les objets coupants de manière à ce qu'ils ne risquent pas d'endommager le joint de la porte.
 - 2) Chargez les couteaux pointus avec le manche vers le haut afin de réduire le risque de blessure lors de la manipulation.
- Ne mettez pas d'objets en plastique dans le lave-vaisselle à moins qu'ils ne portent la mention « lavable en lave-vaisselle » ou équivalent. Pour les objets en plastique qui ne portent pas cette mention, consultez les recommandations du fabricant.
- Ne mettez pas le lave-vaisselle en marche tant que toutes les portes ne sont pas correctement fermées.
- Ne modifiez pas les touches de contrôle.
- Ne forcez pas et ne posez pas votre poids sur la porte ou les paniers du lave-vaisselle.
- Afin de réduire le risque de blessure, ne laissez pas les enfants jouer à l'intérieur ou à proximité du lave-vaisselle.
- Dans certaines conditions, de l'hydrogène peut se former dans un système d'eau chaude n'ayant pas été utilisé pendant plus de deux semaines. L'HYDROGÈNE EST UN GAZ EXPLOSIF. Si le système d'eau chaude n'a pas été utilisé pendant une telle période, ouvrez tous les robinets d'eau chaude et laissez l'eau couler pendant plusieurs minutes. Cela évacuera toute trace d'hydrogène accumulé. Comme l'hydrogène est un gaz inflammable, ne fumez pas pendant ce temps, et n'utilisez pas de feu.
- Retirez la porte du compartiment de lavage lorsque vous vous débarrassez d'un vieux lave-vaisselle.
- L'installateur doit prendre soin de placer le lave-vaisselle dans un endroit totalement clos au moment de l'installation.
- **AVERTISSEMENT** : Ce produit contient des produits chimiques reconnus par l'état de la Californie pour causer le cancer et des anomalies congénitales ou autres dangers du système reproductif. **Laver les mains après manipulation.**

PRÉCAUTIONS D'USAGE

⚠ AVERTISSEMENT

Afin de réduire le risque d'incendie, de choc électrique ou de blessures lors de l'utilisation de cet appareil, veuillez prendre des précautions d'usage, dont les suivantes:

Pour un lave-vaisselle branché en permanence :

Cet appareil doit être connecté à un système de branchement permanent en métal relié à la terre, ou un câble d'isolation d'appareil doit être relié à la prise et à un terminal de mise à la terre sur l'appareil. Veuillez consulter un électricien qualifié.

N'exercez pas une force excessive sur la porte ouverte du lave-vaisselle avant son installation, cela pourrait endommager l'appareil ou le faire basculer. N'utilisez pas le lave-vaisselle avant son installation complète conformément aux Consignes d'Installation.

SÉCURITÉ ÉLECTRIQUE

⚠ AVERTISSEMENT

Risque de choc électrique

Le non-respect de ces consignes peut entraîner la mort, un incendie ou un choc électrique.

- Le lave-vaisselle DOIT être relié à la masse. Connectez le fil de masse à la prise de masse verte sur le boîtier de terminal.
- N'utilisez pas de rallonge avec cet appareil.
- Le lave-vaisselle est conçu pour recevoir un courant électrique ménager standard (120 Volts alternatif, 60Hz). Avant de connecter le lave-vaisselle, assurez-vous que la prise ou câble est correctement relié à la masse et protégé par un coupe-circuit ou des fusibles. La mauvaise isolation de cet appareil peut entraîner un choc électrique ou le mauvais fonctionnement du lave-vaisselle. Consultez un électricien qualifié.
- Installez et stockez le lave-vaisselle dans un lieu abrité du soleil et de l'humidité. Le non-respect de cette précaution peut entraîner un choc électrique, un incendie, un mauvais fonctionnement et/ou une déformation du lave-vaisselle.
- N'abîmez pas, et ne placez pas d'objets lourds sur le cordon d'alimentation de l'appareil. N'utilisez pas le lave-vaisselle si son cordon d'alimentation est endommagé. Un cordon d'alimentation endommagé peut entraîner un incendie ou un choc électrique. Consultez un électricien qualifié.
- Ne saisissez pas le cordon d'alimentation et ne touchez pas les boutons du lave-vaisselle avec des mains mouillées. N'utilisez pas le lave-vaisselle si son cordon d'alimentation ou sa fiche est endommagé, et ne branchez pas le lave-vaisselle à une prise endommagée. Le non-respect de ces consignes peut entraîner un choc électrique.
- Le démontage et la réparation ne doivent être effectués que par des professionnels qualifiés. Un démontage ou une réparation inadapté peut entraîner une panne de l'appareil ou un choc électrique.

AVANT D'UTILISER LE LAVE-VAISSELLE

Avant d'utiliser le lave-vaisselle, veuillez lire les consignes de sécurité.

La température de la source d'eau doit être de minimum 120°F (49°C) pour un lavage optimal et un temps de cycle raisonnable.

Pour cette raison, n'utilisez que la source d'eau chaude. Il est aussi important de remplir le lave-vaisselle selon les consignes pour un nettoyage efficace. Lors du chargement du lave-vaisselle, assurez que les éléments insolubles, tels que les os, les cure-dents, ou les morceaux de papier, ont été retirés.

Lors du chargement du lave-vaisselle, respectez les règles générales suivantes :

1. Placez les objets à fond creux de manière oblique pour permettre à l'eau de s'écouler et faciliter le séchage.
2. Retirez les éléments solides et les traces de brûlure des plats avant de les charger dans le lave-vaisselle.
3. N'insérez que des objets lavables au lave-vaisselle.

⚠ NOTE

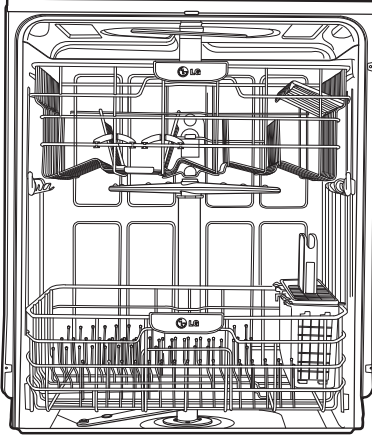
N'insérez pas de vaisselle ne résistant pas à la chaleur, posédant un liseré décoratif en métal, etc.

GARDEZ CES CONSIGNES

PIÈCES ET FONCTIONS

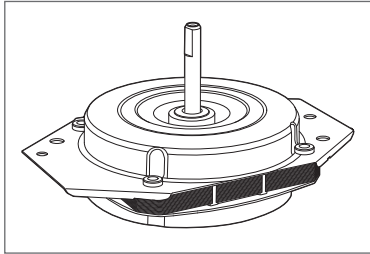
FONCTIONS

GRANDE CAPACITÉ



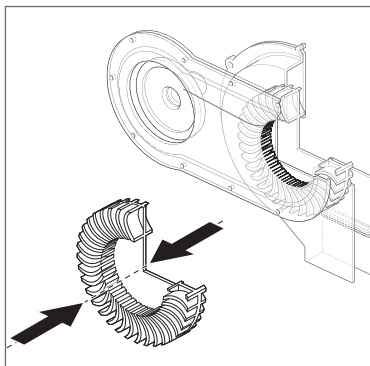
Les lave-vaisselles LG vous permettent d'insérer de très grands plats dans le panier supérieur comme inférieur. Le large bac fournit la capacité générale supplémentaire et l'espace pour recevoir les larges plats. Les plats extra larges (max. 14 pouces) peuvent être installés dans le panier inférieur en soulevant le panier supérieur.

DIRECT MOTOR™ ULTRA-PLAT



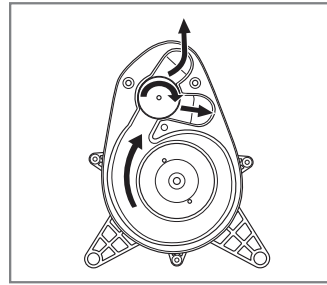
Le nouveau Direct Motor™ Ultra-plat est contrôlé par un inverseur. La puissance de lavage est contrôlée par la sélection du cycle. Cela offre aussi une grande efficacité en énergie afin de minimiser les gaspillages.

SYSTÈME DE SÉCHAGE HYBRIDE



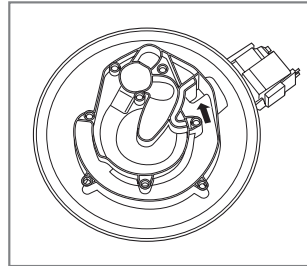
Ce système sèche efficacement la vaisselle sans utiliser un élément de chauffage qui augmenterait la consommation d'énergie.

SYSTÈME DE VARIO



Le jet d'eau alterne entre le panier du bas et celui du haut, pour que toute la puissance du jet soit dirigée sur un panier à la fois. Ceci concentre toute la puissance de nettoyage du moteur sur chaque panier à tour de rôle.

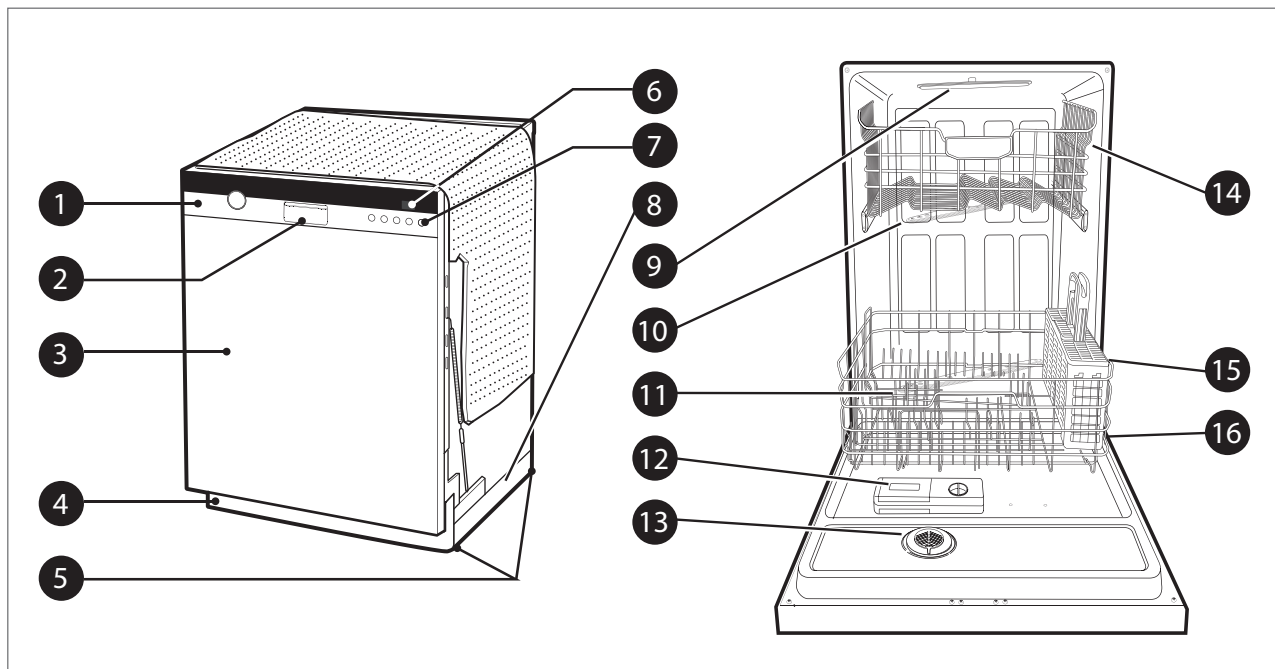
BROYEUR D'ALIMENTS MOUS ET FILTRE AUTONETTOYANT



Pour de meilleurs résultats, votre lave-vaisselle LG possède un broyeur d'aliments mous intégré et un filtre autonettoyant. Le broyeur concasse la nourriture et les résidus mous en petites particules qui peuvent être prises dans le filtre et évacuées dans le drain.

Le système de filtre autonettoyant lave continuellement l'eau de nettoyage pendant qu'elle circule pour séparer tout résidu de l'eau de nettoyage. Toute la saleté et les résidus s'écoulent facilement dans le drain.

PIÈCES



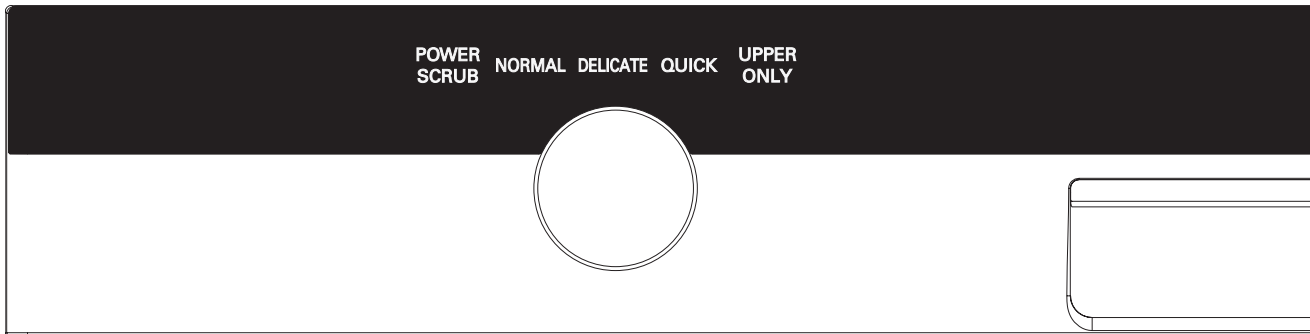
- | | |
|-----------------------------|---|
| 1. PANNEAU DE CONTRÔLE | 10. BRAS DE LAVAGE SUPÉRIEUR |
| 2. POIGNÉE DE PORTE | 11. BRAS DE LAVAGE INFÉRIEUR |
| 3. COUVERCLE AVANT | 12. DISTRIBUTEUR DE DÉTERGEANT ET DE PRODUIT DE RINÇAGE |
| 4. COUVERCLE INFÉRIEUR | 13. COUVERCLE DE VENTILATION POUR LE SÉCHAGE |
| 5. PIEDS | 14. PANIER SUPÉRIEUR |
| 6. TOUCHE D'AFFICHAGE | 15. PANIER À COUVERTS |
| 7. TOUCHE MARCHÉ/ARRÊT | 16. PANIER INFÉRIEUR |
| 8. SOCLE | |
| 9. BRAS DE LAVAGE AU SOMMET | |

CARACTÉRISTIQUES

Model: LDS5540ST/WW/BB	
Alimentation	120V, 60 Hz AC uniquement, coupe-circuit minimum 15A
Pression d'eau	20–120 psi (140–830 kPa)
Taille (LxlxH)	23 3/4" x 24 5/8" x 33 1/2" (603 mm x 625 mm x 851 mm)
Température de l'arrivée d'eau	120°F (49°C) minimum
Poids de l'appareil	90.8 lbs. (41.2 kg)

L'apparence et les caractéristiques de l'appareil peuvent changer sans avertissement.

PANNEAU DE CONTRÔLE



Cycles

Sélectionnez le cycle que vous désirez

POWER SCRUB (CYCLE LAVAGE-RÉCURAGE)

Ce cycle convient à la vaisselle très sale.

NORMAL

Ce cycle convient à la vaisselle normalement sale, aux remplissages de tous les jours.

DELICATE (DÉLICAT)

Ce cycle permet de nettoyer efficacement les objets délicats tels que la porcelaine et les verres à pied.

QUICK (RAPIDE)

Ce cycle raccourci permet de laver la vaisselle qui vient d'être utilisée ou peu sale, sans séchage.

UPPER ONLY (PANIER DU HAUT SEULEMENT)

Ce cycle n'est utilisé que pour les éléments placés dans le panier du haut.

ALARME ACTIVÉE/DÉSACTIVÉE

Pour activer ou désactiver l'alarme, commencez par mettre le lave-vaisselle sous tension. Maintenez les boutons Extra Dry et Delay Start enfoncés simultanément pendant environ trois secondes.

ANNULER

Pour annuler un cycle, ouvrez la porte puis maintenez les boutons Extra Dry et Extra Rinse enfoncés pendant environ trois secondes. La pompe de vidange se désactivera et le cycle sera annulé. L'écran affichera « dr » et le lave-vaisselle évacuera l'eau. Une fois l'eau évacuée, le lave-vaisselle se mettra hors tension. Si le lave-vaisselle est mis sous tension et qu'aucun cycle n'est sélectionné, celui-ci se mettra hors tension après quatre minutes.

PANNEAU DE CONTRÔLE



Options de cycle

Appuyez sur le cycle désiré puis sélectionnez les options pour celui-ci.

SANITARY [EAU BOUILLANTE] (160°F)

Appuyez de manière répétée sur le bouton RINSE pour sélectionner l'option de rinçage désirée. Les voyants de SANITARY, EXTRA RINSE, ou SANITARY AND EXTRA RINSE s'afficheront dans le coin inférieur gauche de l'écran.

EXTRA DRY [SÉCHAGE SUPPLÉMENTAIRE]

Sélectionnez l'option EXTRA DRY pour un séchage encore plus performant. Cette option ajoute 30 minutes de séchage supplémentaire au cycle. Le bouton EXTRA DRY s'allume lorsque l'option a été sélectionnée.

EXTRA RINSE [RINÇAGE SUPPLÉMENTAIRE] (R*)

Le symbole de Rinçage Supplémentaire indique qu'un rinçage supplémentaire a été ajouté au cycle. Un rinçage supplémentaire peut aider à réduire les traces de calcaire sur les plats. Pour ajouter un rinçage supplémentaire, appuyez de manière répétée sur le bouton RINSE jusqu'à ce que le symbole EXTRA RINSE apparaisse à l'écran.

DELAY START [DÉMARRAGE PROGRAMMÉ]

La fonction de démarrage programmé vous permet de retarder le démarrage d'un cycle sélectionné. Chaque fois que le bouton DELAY START est pressé, le retard de démarrage augmente d'une heure. Le retard de démarrage peut être réglé entre 1 et 24 heures, par incréments d'une heure.

CHILD LOCK [VERROUILLAGE ENFANT]

La fonction de verrouillage Enfant permet d'empêcher que vos réglages ne soient modifiés en cours de cycle. Lorsque cette fonction est activée, tous les boutons du panneau de contrôle sont verrouillés hormis le bouton de mise sous tension. Cette fonction ne verrouille pas la porte.


Pour activer le Verrouillage Enfant:

1. Appuyez sur le bouton de mise sous tension.
2. Choisissez le cycle (et les options désirées).
3. Maintenez les boutons Extra Rinse et Delay Start enfoncés pendant trois secondes. Le Verrouillage Enfant s'allumera à l'écran une fois que le verrou est activé.

AFFICHAGE NUMÉRIQUE

L'affichage numérique sur le panneau de contrôle indique le temps de cycle ESTIMÉ. Lorsque le lave-vaisselle est mis en marche, l'écran est vide. Lorsque le cycle et les options sont sélectionnés, celui-ci indique le temps total estimé pour effectuer ces programmes. En cours de fonctionnement, l'écran indique le temps de programme restant.

NOTE

- Le temps estimé indiqué à l'écran n'inclut pas les retards liés au chauffage de l'eau, etc.
- Si l'option Delay Start est sélectionnée, l'écran indique le retard de lancement en heures.
- Le temps peut varier en fonction du niveau de saleté de votre vaisselle.
- The RINSE AID symbol  indicates that the rinse aid needs to be refilled.

MISE EN MARCHE

- Appuyez sur le bouton Mise en Marche pour allumer le panneau de contrôle. Si aucun cycle n'est sélectionné dans les quatre minutes, le lave-vaisselle s'éteindra.
- Une fois que le cycle est terminé, le lave-vaisselle se met automatiquement hors-tension pour des raisons de sécurité et d'économie.
- En cas de surtension, de coupure d'électricité, ou de panne de toute sorte, le voyant PF s'affichera et le lave-vaisselle sera automatiquement mis hors-tension par sécurité. Le cycle devra être redémarré.

SMART DIAGNOSTIC [DIAGNOSTIC INTELLIGENT]

Si vous rencontrez des problèmes avec votre lave-vaisselle, celui-ci peut transmettre des informations à votre Smartphone grâce à l'application LG Smart Laundry & DW, ou à travers la fonction téléphone, au centre d'appel LG.

NOTE

Le diagnostic intelligent est une caractéristique de dépannage conçue pour compléter, et non pour remplacer, la méthode traditionnelle de dépannage par les appels de service. L'efficacité de cette caractéristique dépend de plusieurs facteurs incluant, mais sans s'y limiter, la réception du téléphone cellulaire utilisé pour la transmission, tout bruit externe pouvant être présent lors de la transmission et l'acoustique de la pièce où la machine est située. Par conséquent, LG ne garantit pas que le diagnostic intelligent résoudra avec précision le problème en question.

PIÈCES ET FONCTIONS

Le guide de cycle ci-dessous affiche les réglages par défaut et les options disponibles pour

Cycle	Sanitaire	Séchage Supplémentaire	Rinçage supplémentaire	Sanitary Séchage Supplémentaire	Sanitary Rinçage supplémentaire	Séchage Supplémentaire Rinçage supplémentaire	Sanitaire Séchage Supplémentaire Rinçage supplémentaire	Demarrage programme
Power Scrub (Cycle lavage récurage)	<input checked="" type="checkbox"/>	<input checked="" type="checkbox"/>	<input checked="" type="checkbox"/>	<input checked="" type="checkbox"/>	<input checked="" type="checkbox"/>	<input checked="" type="checkbox"/>	<input checked="" type="checkbox"/>	<input checked="" type="checkbox"/>
Normal	<input checked="" type="checkbox"/>	<input checked="" type="checkbox"/>	<input checked="" type="checkbox"/>	<input checked="" type="checkbox"/>	<input checked="" type="checkbox"/>	<input checked="" type="checkbox"/>	<input checked="" type="checkbox"/>	<input checked="" type="checkbox"/>
Delicate (Délicat)	<input checked="" type="checkbox"/>	<input checked="" type="checkbox"/>	<input checked="" type="checkbox"/>	<input checked="" type="checkbox"/>	<input checked="" type="checkbox"/>	<input checked="" type="checkbox"/>	<input checked="" type="checkbox"/>	<input checked="" type="checkbox"/>
Quick (Rapide)	<input type="checkbox"/>	<input checked="" type="checkbox"/>	<input type="checkbox"/>	<input type="checkbox"/>	<input type="checkbox"/>	<input type="checkbox"/>	<input type="checkbox"/>	<input checked="" type="checkbox"/>
Upper Only (Panier du haut seulement)	<input type="checkbox"/>	<input type="checkbox"/>	<input type="checkbox"/>	<input type="checkbox"/>	<input type="checkbox"/>	<input type="checkbox"/>	<input type="checkbox"/>	<input checked="" type="checkbox"/>

TABLEAU DE SÉLECTION DE CYCLE

Cycle	Lavage			Rinçage			Séchage	*Utilisation d'eau	**Temps de cycle
	Pré 1	Pré 2	Lavage-Principal	Rinçage 1	Rinçage 2	RinçageChaud			
Power Scrub (Cycle lavage-récurage)	<input checked="" type="checkbox"/>	<input checked="" type="checkbox"/>	145°F 63°C <input checked="" type="checkbox"/>	<input checked="" type="checkbox"/>	<input checked="" type="checkbox"/>	154°F 68°C <input checked="" type="checkbox"/>	<input checked="" type="checkbox"/>	7.7 gal. 29 L	166 min.
Normal	<input checked="" type="checkbox"/>	<input checked="" type="checkbox"/>	140°F 60°C <input checked="" type="checkbox"/>	<input checked="" type="checkbox"/>	<input type="checkbox"/>	149°F 65°C <input checked="" type="checkbox"/>	<input checked="" type="checkbox"/>	6.3 gal. 24 L	141 min.
Delicate (Délicat)	<input checked="" type="checkbox"/>	<input checked="" type="checkbox"/>	122°F 50°C <input checked="" type="checkbox"/>	<input checked="" type="checkbox"/>	<input type="checkbox"/>	154°F 68°C <input checked="" type="checkbox"/>	<input checked="" type="checkbox"/>	6.1 gal. 23 L	130 min.
Quick (Rapide)	<input checked="" type="checkbox"/>	<input type="checkbox"/>	115°F 46°C <input checked="" type="checkbox"/>	<input checked="" type="checkbox"/>	<input type="checkbox"/>	140°F 60°C <input checked="" type="checkbox"/>	<input checked="" type="checkbox"/>	5 gal. 19 L	84 min.
Upper Only (Panier du haut seulement)	<input checked="" type="checkbox"/>	<input checked="" type="checkbox"/>	140°F 60°C <input checked="" type="checkbox"/>	<input checked="" type="checkbox"/>	<input type="checkbox"/>	149°F 65°C <input checked="" type="checkbox"/>	<input checked="" type="checkbox"/>	6.1 gal. 23 L	107 min.

* La consommation réelle d'eau variera en fonction du niveau de saleté et du calcaire de l'eau.

** le temps réel de cycle variera en fonction du niveau de saleté, de la température et du calcaire de l'eau

CONSIGNES DE FONCTIONNEMENT

DÉMARRAGE RAPIDE

1. CHARGER LES PLATS

Débarrassez les plats de tout excès de nourriture, os, et autres résidus solides et non-solubles. Tirez chaque panier et insérez les plats comme décrit dans le manuel.

2. MESUREZ LE DÉTERGENT

En vous aidant de ce manuel, remplissez le verre de détergent avec la quantité recommandée de détergent et refermez le couvercle. Si vous désirez effectuer un prélavage, remplissez également le bac situé sur le couvercle.

3. ALLUMEZ LE LAVE-VAISSELLE

Pour allumer le panneau d'affichage, appuyez sur le bouton Power (Mise en Marche).

4. VÉRIFIEZ LE PRODUIT DE RINÇAGE

Le voyant indicateur de produit de rinçage s'allume si le niveau de produit de rinçage dans le lave-vaisselle est faible. Ajoutez du produit de rinçage si le niveau est faible, afin de maintenir l'efficacité du cycle de séchage.

5. SÉLECTIONNEZ LE CYCLE ET LES OPTIONS

Sélectionnez le cycle et les options qui correspondent le mieux à la charge, en vous référant au Tableau de Sélection de Cycle. L'écran affichera le temps estimé pour le cycle et les options choisies.

6. FERMEZ LA PORTE

Le lave-vaisselle démarrera automatiquement, après un léger retard, lorsque la porte sera fermée et verrouillée. Durant le cycle, l'écran indiquera le temps restant estimé pour le cycle et les options sélectionnées. Si la porte est ouverte durant le cycle, le lave-vaisselle s'arrêtera. Lorsque la porte est fermée, le cycle reprendra au point où il s'est arrêté.

7. FIN DE CYCLE

Lorsque le cycle est terminé, une alarme retentira et l'écran affichera « END ». Après un léger temps, l'écran et les contrôles s'éteindront par sécurité et pour économiser l'énergie.

DANGER

Videz d'abord le panier inférieur, puis le panier supérieur. Cela évitera que de l'eau goutte depuis le panier supérieur sur les plats du panier inférieur.

AVERTISSEMENT

En général, il n'est pas conseillé d'ouvrir la porte lorsque le lave-vaisselle est en cours de fonctionnement. Si la porte est ouverte, un équipement de sécurité arrête le lave-vaisselle. Soyez vigilants lorsque vous ouvrez la porte immédiatement après le cycle, car de la vapeur peut s'échapper.

AUTO-OFF (MISE EN VEILLE AUTO)

Le lave-vaisselle s'éteindra de manière automatique si aucun cycle n'est sélectionné ou si la porte n'est pas fermée dans les quatre minutes.

CHARGEMENT DU PANIER INFÉRIEUR

⚠ DANGER

OBJECTS N'ALLANT PAS AU LAVE-VAISSELLE

La combinaison d'une eau très chaude et des détergents pour lave-vaisselle peut endommager certains objets. LG ne recommande pas le lavage en machine des éléments suivants :

- Plats avec de l'argent ou des feuilles d'or peints à la main.
- Vaisselle avec des manches en bois ou en os
- Vaisselle en métal ou qui tend à rouiller
- Éléments en plastique non recommandés pour le lave-vaisselle

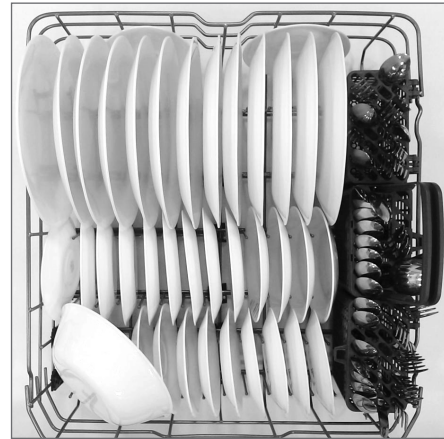
En cas de doute, consultez les recommandations du fabricant.

Le compartiment extra-large permet de charger des plats, des poêles ou autres plats jusqu'à 14 pouces de haut.

Le panier inférieur est recommandé pour les assiettes à dîner, les bols de soupe, les plats, les casseroles, les poêles, les couvercles et les plateaux de grill. Les assiettes doivent être positionnées à la verticale et face au centre du panier. Les casseroles, les poêles et les grands bols doivent être tournés de manière à ce que l'intérieur soit à la verticale et face au centre du panier. Les casseroles, les poêles et les saladiers doivent être tournés l'intérieur vers le bas. Le panier à couverts peut être utilisé soit dans le panier supérieur, soit dans le panier inférieur.

Le panier inférieur ne doit pas être utilisé pour les petits objets tels que les tasses, les verres à vin ou les petites assiettes. Ces objets doivent être chargés dans le panier supérieur.

DISPOSITION POUR 12 PLATS



! NOTE

Assurez-vous que les gros articles n'interfèrent pas avec la rotation des bras d'aspersion, et n'empêchent pas le distributeur de détergent de l'ouverture.

RAMPE DE CHARGEMENT CONSEILS

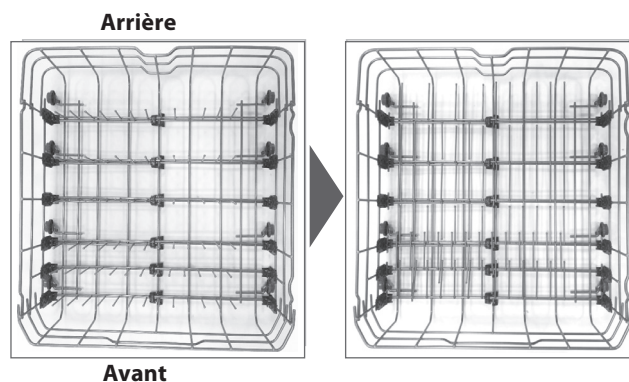
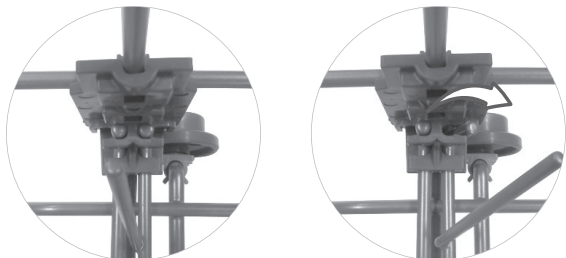
DISPOSITION POUR 10 PLATS



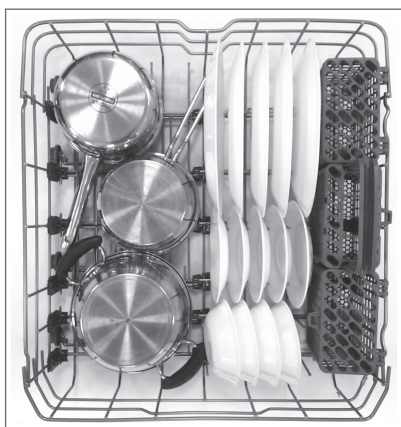
- Placez les assiettes, les bols de soupe, etc. entre les dents.
- Placez les plateaux à cookies, les moules et autres objets larges sur les côtés ou à l'arrière du panier. Si vous placez ces objets à l'avant du lave-vaisselle, cela peut empêcher le jet d'eau d'atteindre le distributeur de détergent.
- Assurez-vous que les manches des casseroles et autres larges objets n'empêchent pas la rotation des bras de lavage.

RABATTRE LE RÂTELIER INFÉRIEUR

Les dents sont réglables pour accommoder des plats de différentes tailles.



CHARGEMENT DES PLATS ET CASSEROLES



CHARGEMENT DES CASSEROLES ET BOLS



CHARGEMENT DU PANIER À COUVERTS

Le panier à couverts possède des séparateurs afin d'éviter de rayer ou ternir les couverts délicats. Le panier peut être divisé en trois paniers pouvant être placés dans le panier supérieur ou inférieur. Déverrouillez les ailettes du côté droit et gauche pour séparer.

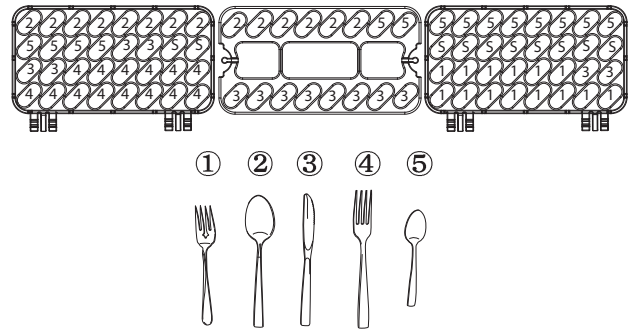


⚠ AVERTISSEMENT

Soyez vigilant lorsque vous chargez ou déchargez des objets pointus. Placez les couteaux pointus avec le manche vers le haut afin de réduire le risque de blessure.

CONSEILS DE CHARGEMENT DES COUVERTS :

- Pour un meilleur nettoyage, utilisez les séparateurs supérieurs du panier lorsque vous chargez des couverts. Les séparateurs empêcheront les couverts de former un tas.
- Chargez les objets pointus, comme les couteaux, la pointe vers le bas.
- Lorsque vous videz le lave-vaisselle, il vaut mieux commencer par le panier à couverts. Cela empêche ainsi les gouttes d'eau de tomber sur vos couverts depuis le panier supérieur.



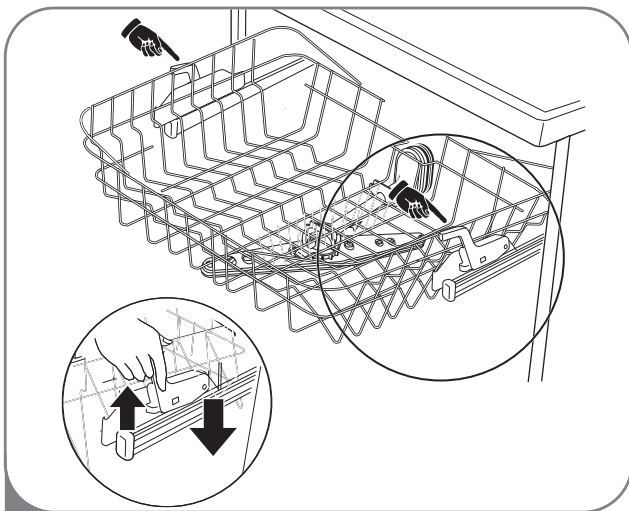
FRANCAIS

PANIER SUPÉRIEUR À HAUTEUR RÉGLABLE

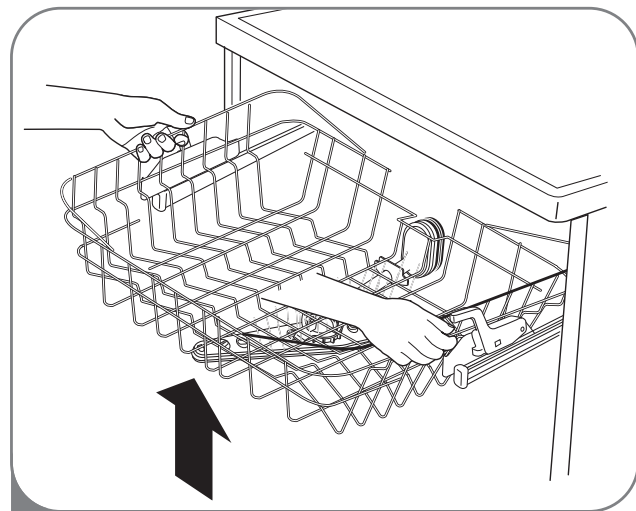
Le panier supérieur se règle vers le haut et vers le bas. Relevez le panier supérieur pour permettre le placement d'objets grands ou surdimensionnés, jusqu'à 14 pouces, dans le panier inférieur. Descendez le panier supérieur vers le bas pour permettre le placement de grands plats, jusqu'à 12 pouces, dans le panier supérieur. Le panier supérieur est en position relevée par défaut.

! NOTE

Après le réglage, assurez-vous que les plats situés dans les paniers supérieur et inférieur n'empêchent pas la rotation du bras de lavage. Ne réglez pas le panier lorsqu'il est chargé de plats.



- 1 Pour abaisser le panier :
- Soutenez le panier au centre de chaque côté pour en supporter le poids. Puis, soulevez la languette de chaque côté pour libérer le panier et abaissez-le en position basse.



- 2 Pour relever le panier :
- Soulevez simplement le panier au centre de chaque côté (voir illustration) jusqu'à ce que le panier se bloque en position haute. Il n'est pas nécessaire de soulever les languettes de verrouillage pour relever le panier.

CHARGEMENT DU PANIER SUPÉRIEUR

Servez-vous du panier supérieur pour les objets petits ou délicats tels que les petites assiettes, les tasses, les soucoupes, les verres et les objets en plastique lavables en lave-vaisselle. Les tasses, verres et bols doivent être placés à l'envers. Les tasses supplémentaires ou les ustensiles de cuisine peuvent être posés par dessus les compartiments à tasses rabattus, qui peuvent aussi servir de support aux verres à long pied. Assurez-vous que les objets n'empêchent pas la rotation des bras de lavage situés au-dessus et au-dessous du panier supérieur.

DISPOSITION POUR 10 PLATS



DISPOSITION POUR 12 PLATS

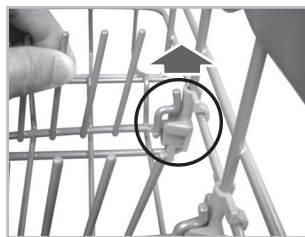


CONSEILS DE CHARGEMENT SUR LE PANIER SUPÉRIEUR

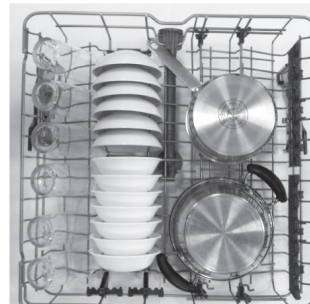
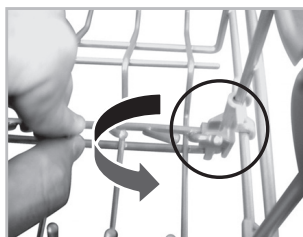
- Placez les tasses et verres dans les rangées entre les dents du râtelier. Le positionnement par-dessus les dents du râtelier peut entraîner la casse ou des marques d'eau.
- Pour éviter qu'ils ne se fêlent, ne laissez pas les verres à pied en contact avec d'autres objets.
- Placez les objets face ouverte vers le bas pour le nettoyage et séchage.
- N'entassez pas des objets les uns sur les autres.

RABATTRE LE RÂTELIER SUPÉRIEUR

Soulevez la grille



Tournez la grille



Les grilles peuvent être positionnées vers le haut et vers le bas. Les dents de droite possède des poignées pour les plats plus larges ou plus petits.

AJOUT DE DÉTERGENT DANS LE DISTRIBUTEUR

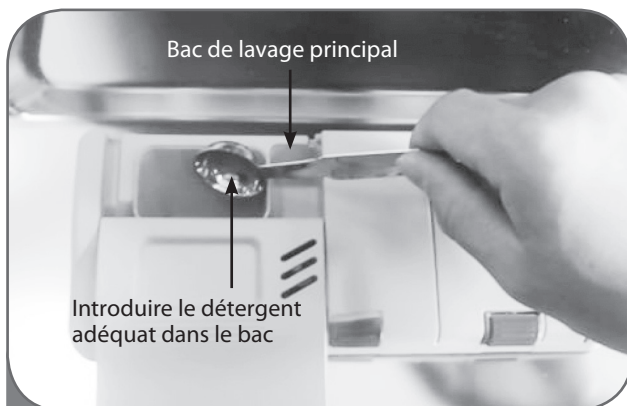
- N'utilisez que du détergent prévu pour les lave-vaisselle.
- Le détergent doit être placé dans son compartiment avant le début d'un cycle, excepté pour le cycle de Rinçage Seul.
- Utilisez moins de détergent si les plats ne sont que peu sales. Un excès de détergent peut laisser un film sur les plats et dans le lave-vaisselle, entraînant un lavage de mauvaise qualité.
- La quantité de détergent voulue dépend du cycle, de la quantité de vaisselle et du niveau de saleté des plats.

! NOTE

Retirez l'étiquette sur le distributeur avant de mettre le lave-vaisselle en marche.



- 1 Si le couvercle est fermé, appuyez sur la languette en bas du couvercle pour ouvrir le distributeur.



- 2 Ajoutez du détergent dans le compartiment principal jusqu'à contenir entre les marques 20 et 30. Remplir jusqu'à 30 en cas d'eau calcaire et de vaisselle très sale, ou à 20 en cas d'eau sans calcaire et de vaisselle peu sale.

Fermez le couvercle jusqu'à entendre un clic.



- 3 Si vous désirez un pré-lavage, remplissez le compartiment de pré-lavage situé dans le couvercle avec du détergent.

! NOTE


Trop de détergent peut laisser un film sur les plats dans le lave-vaisselle, entraînant un lavage de mauvaise qualité. Ne pas utiliser de pastilles de détergent pour les cycles de lavage courts. Les pastilles peuvent ne pas se dissoudre complètement, laisser des traces sur la vaisselle et causer un lavage inefficace.

⚠ DANGER

INFORMATIONS RELATIVES AU DÉTERGENT

N'utilisez que le détergent prévu pour les lave-vaisselle automatiques. Un détergent inapproprié peut remplir le lave-vaisselle de mousse pendant son fonctionnement. Un excès de mousse peut réduire la qualité du lavage et créer des fuites dans le lave-vaisselle. N'UTILISEZ PAS de liquide vaisselle dans ce lave-vaisselle.

AJOUT DE PRODUIT DE RINÇAGE DANS LE DISTRIBUTEUR

 Le voyant de Faible niveau de produit de rinçage s'allume lorsque plus de produit de rinçage est nécessaire.

Il est recommandé d'utiliser du produit de rinçage pour prévenir les traces d'eau sur les plats et pour améliorer le séchage.

! NOTE

N'utilisez que du produit de rinçage liquide dans ce lave-vaisselle.



1 Appuyez sur le bouton pour ouvrir le couvercle.

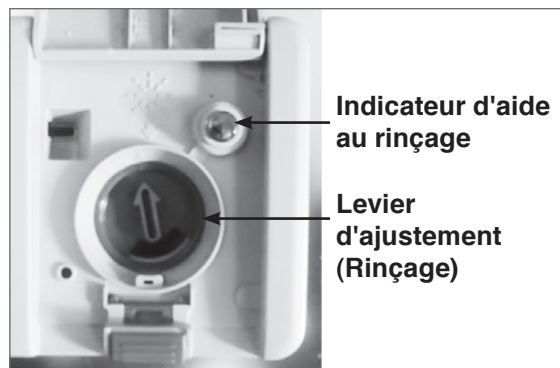


2 Ajoutez du produit de rinçage liquide jusqu'au la marque de niveau. Lors du remplissage du distributeur de produit de rinçage, déversez le produit sur la flèche. Assurez-vous que le produit de rinçage repose dans le distributeur lors du remplissage.



3 Fermez le couvercle pour verrouiller le distributeur. Le produit de rinçage sera distribué automatiquement au cours du dernier cycle de rinçage.

RÉGLAGE DU DISTRIBUTEUR DE PRODUIT DE RINÇAGE



Le distributeur de produit de rinçage est réglé au niveau 3, qui devrait donner les meilleurs résultats dans la plupart des cas. Réglez le niveau plus haut si vous notez des traces d'eau et des dépôts calcaires sur vos plats.


Si vous notez un film sur vos plats, réglez à un niveau plus bas. Un réglage trop faible de la distribution de produit de rinçage contribuera à tacher et strier les plats et diminuera les performances de séchage. Un réglage trop fort peut causer l'apparition de mousse, ce qui diminuera les performances de lavage.

Pour ajuster le réglage du distributeur de produit de rinçage, retirez le couvercle et ajustez la languette de produit de rinçage au niveau désiré. Pointez la flèche vers la gauche pour diminuer, et vers la droite pour augmenter.

RECHARGEMENT DU PRODUIT DE RINÇAGE

La fréquence de rechargement du produit de rinçage dépend de la fréquence d'utilisation du lave-vaisselle et du niveau de distribution sélectionné. Si le niveau du produit de rinçage est faible, le voyant de Produit de Rinçage s'allumera sur le panneau de contrôle.

CONSEILS DE RECHARGEMENT DU PRODUIT DE RINÇAGE :

-  Le voyant Produit de Rinçage Faible apparaît à l'écran lorsque plus de produit de rinçage est nécessaire.
- Ne surchargez pas le distributeur de produit de rinçage.
- Nettoyez le produit de rinçage ayant débordé pour éviter la formation de mousse.

ENTRETIEN & NETTOYAGE

Pour de meilleurs résultats, il est important de vérifier et d'entretenir régulièrement les bras de lavage.

⚠ AVERTISSEMENT

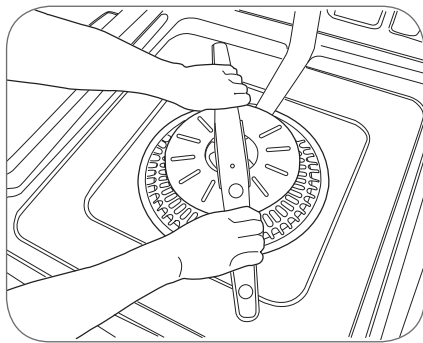
Pour éviter les blessures durant l'entretien et le nettoyage, portez des gants et/ou des vêtements de protection

CONSERVER LE LAVE-VAISSELLE

Si vous n'utilisez pas votre lave-vaisselle pour une longue période, faites fonctionner le cycle rapide sans détergent. Quand le cycle est terminé, lavez le lave-vaisselle selon les instructions d'ENTRETIEN ET DE NETTOYAGE (CARE & CLEANING) pour enlever les débris au fond du lave-vaisselle et fermez la porte.

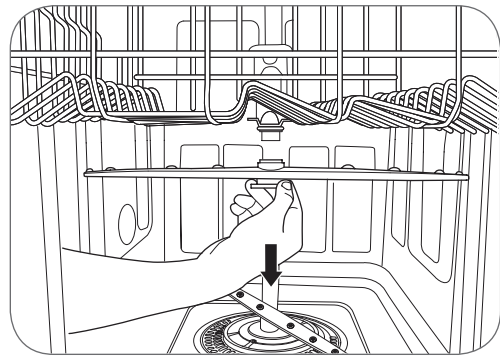
NETTOYAGE DES PIÈCES MÉTALLIQUES

Certaines pièces extérieures et intérieures peuvent être nettoyées avec un chiffon ou une éponge humide. Un film brumeux peut se former à la surface du réservoir en inox, particulièrement avec des traces d'eau.

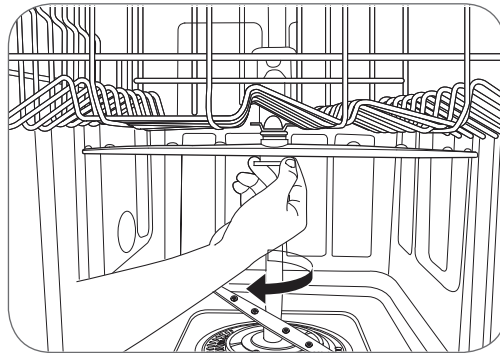


- Assurez-vous que les trous du jet d'eau ne sont pas bloqués par des miettes de nourriture.
- Lorsqu'un nettoyage est nécessaire, retirez le bras de lavage inférieur en tirant vers le haut.
- Après avoir nettoyé le bras de lavage inférieur, remplacez-le en enfonçant jusqu'à ce qu'il s'attache de nouveau en place. Assurez-vous que le bras de lavage peut tourner librement.

NETTOYAGE DU BRAS DE LAVAGE SUPÉRIEUR

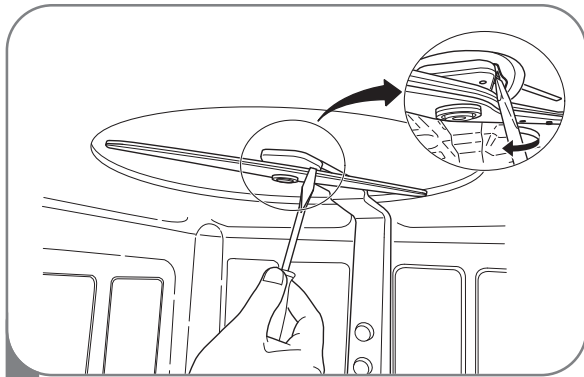


- Tirez le panier supérieur vers l'avant. Assurez-vous que les trous du jet d'eau ne sont pas bloqués par des miettes de nourriture.
- Lorsqu'un nettoyage est nécessaire, retirez le bras de lavage supérieur en tournant l'écrou situé sur la base du bras de lavage d'un huitième de tour antihoraire et en enfonçant.

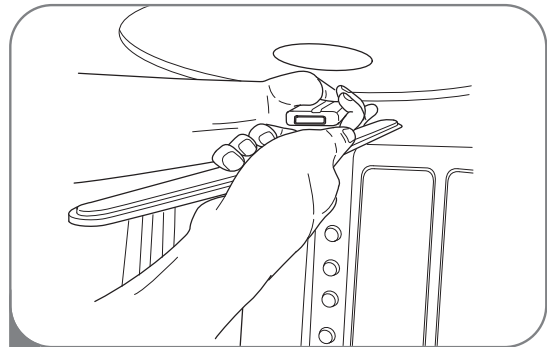


- After cleaning the upper spray arm, press it up into place. Turn the nut 1/8 turn clockwise to make sure that the nut locks back into place.

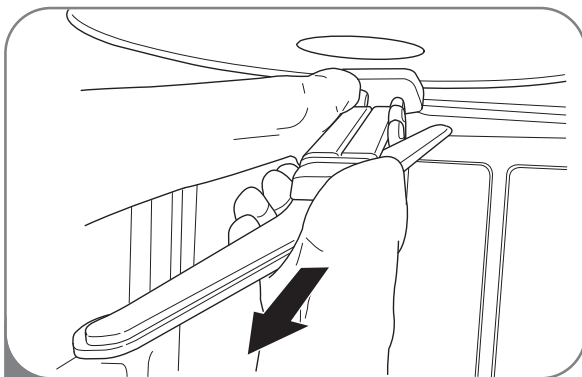
NETTOYAGE DU BRAS DE LAVAGE AU SOMMET



1 Assurez-vous que les trous du jet d'eau ne sont pas bloqués par des miettes de nourriture. Lorsqu'un nettoyage est nécessaire, utilisez un tournevis pour libérer la languette de maintien du support qui soutient le montage du bras de lavage au réservoir.



3 Après avoir nettoyé le bras de lavage au sommet, remplacez-le. Glissez-le de nouveau en place et assurez-vous que la languette de maintien se bloque.



2 Retirez le bras de lavage.

ENTRETIEN SAISONNIER ET STOCKAGE

- Si vous vous absentez pour une longue période durant les mois chauds, il est recommandé de fermer l'arrivée d'eau et de débrancher le cordon d'alimentation, ou d'éteindre le coupe-circuit.
- Si vous vous absentez pour une longue période durant les mois froids, et que les températures peuvent être glaciales, il est recommandé d'hiverner les conduits d'arrivée d'eau et le lave-vaisselle. L'hivernisation doit être effectuée par un professionnel qualifié.

QUESTIONS/RÉPONSES

QUESTIONS COURANTES SUR LE PRODUIT

Faut-il utiliser un produit de rinçage?

Le produit de rinçage est fortement recommandé pour améliorer les performances de séchage du lave-vaisselle. Afin de minimiser les gaspillages d'énergie, le système de séchage hybride n'utilise pas d'élément de chauffage pour aider le séchage, et un produit de rinçage joue donc un grand rôle dans la procédure de séchage. Si un produit de rinçage n'est pas utilisé, de l'eau peut rester sur les plats et le réservoir. Le produit de rinçage permet de garantir que la plupart de l'eau a été évacuée des plats à la fin du rinçage et que le chargement est prêt pour le cycle de séchage.

Que puis-je faire si mes plats sont recouverts d'un film brumeux et blanc après un lavage?

Le film brumeux est généralement causé par la réaction des minéraux de l'eau avec le détergent du lave-vaisselle. Assurez-vous d'abord de ne pas trop utiliser de détergent. Référez-vous au manuel du propriétaire pour la quantité recommandée de détergent par cycle. Ajoutez un rinçage supplémentaire au cycle. Les lave-vaisselle LG nécessitent moins d'eau que les lave-vaisselle traditionnels, par conséquent un rinçage supplémentaire aiderait à faire disparaître le film. Si l'approvisionnement en eau est calcaire, il peut être nécessaire d'ajouter un optimisateur de performances pour régler le problème des traces d'eau.

Qu'est-ce que le rinçage désinfectant et comment peut-on l'activer?

Le rinçage désinfectant augmente le rinçage à chaud à environ 161°F (72°C). La température normale du rinçage à chaud varie en fonction des cycles.

Quelles étapes puis-je suivre pour améliorer le séchage?

Le séchage est directement affecté par la quantité de chaleur restant dans le réservoir après l'opération de rinçage à chaud. Si votre lave-vaisselle est situé loin de votre chaudière, il peut être nécessaire de faire couler l'eau chaude dans l'évier avec de débiter un cycle de lavage, afin de garantir que l'eau froide est évacuée des conduites. Cela garantira que votre lave-vaisselle reçoit de l'eau chaude du début à la fin. Le réglage sur SANITARY aidera également à maintenir la température du tambour interne et des plats plus chaude avant le début du séchage.

Les lave-vaisselle LG sont conçus pour être utilisés avec un produit de rinçage. Le produit de nettoyage maximise la quantité d'eau déjà évacuée des plats avant le début du cycle de séchage. Si vous utilisez un produit de rinçage et que les performances ne sont pas satisfaisantes, ajustez le montant de produit de rinçage envoyé à l'aide de la flèche située sur le couvercle de produit de rinçage. Le réglage par défaut est à 3, mais si nécessaire, réglez ce niveau à 4 pour utiliser plus de produit de rinçage.

Laissez le lave-vaisselle finir le cycle de séchage avant d'ouvrir la porte. Si la porte est ouverte en milieu de cycle de séchage, la chaleur nécessaire au fonctionnement du système de séchage hybride s'échappera. Par conséquent, tous les plats seront encore humides à la fin du cycle.

Qu'est-ce que le système de séchage hybride?

Le lave-vaisselle ne se base pas sur un élément de chauffage pour la procédure de séchage ; il se base plutôt sur la chaleur retenue par les assiettes et le réservoir durant les cycles de lavage et rinçage pour transformer la buée du réservoir en humidité. L'air chaud et humide du lave-vaisselle est ensuite évacué par un ventilateur vers un tuyau de condensation situé dans la porte. L'air se refroidit, ce qui condense l'humidité. L'air extérieur est également ventilé dans le tuyau pour accélérer le refroidissement. Lorsque l'humidité se condense en eau, elle est évacuée.

! NOTE

Le produit de rinçage est nécessaire pour améliorer le séchage. En l'absence de produit de rinçage, l'eau peut rester sur les plats et le réservoir.

Pourquoi y a-t-il un sifflement?

Il est important de déterminer la durée du bruit et le moment auquel il se produit (quelle partie du cycle). Lorsque l'eau est envoyée dans le lave-vaisselle, un sifflement peut se produire. Ceci est normal. Si la pression d'eau est trop forte, celui-ci sera plus fort et il sera peut-être nécessaire d'ajuster le robinet d'arrivée d'eau pour faire baisser la pression si le bruit est trop fort.

Quels types de plats peuvent être mis dans le lave-vaisselle?

Assurez-vous que les plats que vous mettez dans le lave-vaisselle sont prévus pour cela. Les plats en plastique ne séchent pas aussi efficacement que les plats en verre et en métal. Les plats en plastique ne retiennent pas la chaleur aussi efficacement que les plats en verre et en métal. Les verres et les plats en plastique peuvent nécessiter un séchage à la main avant d'être rangés à la fin du cycle.

Puis-je effectuer un cycle de purge seulement?

Le lave-vaisselle ne possède pas de fonction de purge seule ; néanmoins, le lave-vaisselle se vidangera tout seul pendant les 45 premières secondes d'un nouveau cycle. Pour évacuer de l'eau stagnante, choisissez un cycle de lavage et laissez-le tourner pendant 45 secondes seulement. Puis, éteignez l'unité et laissez-la se réinitialiser. Répétez si nécessaire.

Pourquoi mon lave-vaisselle bippe-t-il continuellement si j'ouvre la porte en cours de cycle ou juste après la fin d'un cycle?

Ceci est normal. Le lave-vaisselle vous avertit que la température à l'intérieur de l'unité est très chaude et de faire attention en plaçant vos mains à l'intérieur. Une fois que l'unité a refroidi, le bip s'arrêtera.

FONCTIONS ET UTILISATION DU PRODUIT**Qu'est-ce que le Child Lock et comment l'active-t-on?**

Le Child Lock (Verrouillage Enfant) est une fonction qui empêche le changement des contrôles en cours de cycle. Il n'empêche pas l'ouverture de la porte ni la mise hors tension de l'appareil. Pour l'activer ou le désactiver, appuyez sur les boutons Spray et Rinse simultanément pendant 3 secondes.

Pourquoi est-ce que "PF" s'affiche sur l'écran?

PF n'est pas un code d'erreur indiquant un mauvais fonctionnement. PF indique qu'il s'est produit une panne de courant. Cette fonction protège le lave-vaisselle en cas de coupure de courant entraînant la rupture d'alimentation vers l'appareil. Lorsque le courant revient et qu'un bouton est pressé, le symbole s'affichera pendant 10 secondes puis disparaîtra.

INSTALLATION**Quelle est la taille du coude à 90 degrés?**

Le coude à 90 degrés doit posséder un NPT 3/8" à extrémité qui se connecte au lave-vaisselle.

Puis-je ajouter une rallonge au tuyau d'évacuation?

Non, vous ne pouvez pas rajouter d'extension.

AVANT D'APPELER LE DÉPANNAGE

Problem	Causes Possibles	Solutions
Le lave-vaisselle ne fonctionne pas	La porte n'est pas complètement fermée. L'alimentation ou le cordon n'est pas branché. Le fusible est grillé ou le coupe-circuit a basculé.	Assurez-vous que la porte est complètement fermée et verrouillée. Branchez l'alimentation ou le cordon. Remplacez le fusible ou réinitialisez le coupe-circuit.
Le lave-vaisselle est trop lent à fonctionner.	Le lave-vaisselle est relié à de l'eau froide.	Vérifiez la connexion à l'arrivée d'eau ou les réglages de la chaudière. (Le chauffage de l'eau prend plus longtemps)
Odeur	Le cycle précédent a été arrêté avant d'être terminé. Le lave-vaisselle n'est pas utilisé quotidiennement.	Lancez un cycle Rapide avec détergent sans mettre de vaisselle dans le lave-vaisselle. Si le lave-vaisselle n'est pas utilisé quotidiennement, il est recommandé d'exécuter le cycle rapide une fois ou deux fois par jour jusqu'à ce que vous avez une pleine charge. En cas d'odeur persiste, exécutez un rinçage au vinaigre d'un cycle rapide en mettant 2 tasse (500 ml) de vinaigre blanc dans une tasse à mesurer en position verticale dans le panier inférieur, sans détergent. Il est recommandé de maintenir conformément à la section ENTRETIEN ET NETTOYAGE.
L'eau reste dans le réservoir après la fin du cycle	Le tuyau d'évacuation est tordu ou bouché.	Détendez le tuyau ou débouchez-le.
Traces et film sur les plats	Eau à basse température.	L'arrivée d'eau doit être au minimum à 120°F pour obtenir les meilleures performances de lavage.
	Mauvaise quantité de détergent.	Utiliser la quantité recommandée de détergent.
	Surcharge.	Ne surchargez pas le lave-vaisselle.
	Chargement mal fait. Pression d'eau insuffisante.	Consultez la section Utiliser votre Lave-vaisselle. La pression d'eau doit être entre 20 et 120 psi.
	Quantité insuffisante de détergent.	Ajouter la quantité recommandée de détergent. Consultez la Section Utiliser votre Lave-vaisselle.
	Le distributeur de produit de rinçage est vide.	Rechargez le distributeur de produit de rinçage.
<p>Eau très calcaire</p> <p>Le meilleur moyen d'éliminer les traces sur vos plats est d'installer un décalcifiant d'eau pour l'ensemble de la maison. Si vous avez déjà installé un décalcifiant ou que vous ne prévoyez pas d'en installer un, essayez d'ajouter un « Power Scrub » au cycle de lavage pour tenter de minimiser le problème. Pour ajouter un Rinçage Supplémentaire au cycle, sélectionnez le cycle WASH et appuyez sur Extra Rinse.</p> <p>NOTE: Sélectionner Extra Rinse augmentera les temps de cycle et la consommation d'eau.</p> <p>Pour éliminer les dépôts calcaires dans le réservoir</p> <p>Retirez tous les plats, les couverts et les porte-couverts du lave-vaisselle. Seuls les paniers doivent rester dans le réservoir.</p> <p>Remplissez un verre doseur de vinaigre de vin blanc, environ 14~17 onces (400~500mL), et placez le verre doseur dans le panier inférieur.</p> <p>Lancez un cycle « Normal » et sélectionnez « Extra Rinse » et « Sanitary » puis fermez la porte.</p> <p>N'UTILISEZ PAS DE DÉTERGENT.</p> <p>NOTE: Assurez-vous de laisser le lave-vaisselle compléter un cycle. Cette méthode de nettoyage ne doit être effectuée que si nécessaire.</p>		

Si vous avez suivi ce guide de dépannage et que le problème persiste, ou si le problème que vous rencontrez n'est pas décrit ici, veuillez appeler le Service Client LGE au 1-800-243-0000(US), 1-888-542-2623(Canada).

AVANT D'APPELER LE DÉPANNAGE

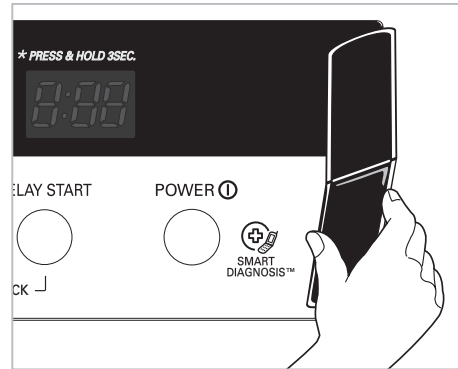
Problème	Causes Possibles	Solutions
Il reste des traces de nourriture sur les plats	Mauvaise sélection de cycle. Température de l'eau trop basse. Vous n'avez pas mis de détergent dans le lave-vaisselle. Pression d'arrivée d'eau trop faible. Les trous de jet d'eau du bras de lavage sont bouchés. Mauvais chargement des plats. Les filtres sont bouchés.	Sélectionnez le cycle approprié en fonction du niveau de salissure et du type de plats à laver. Vérifiez la connexion à l'arrivée d'eau ou le réglage de la chaudière. Utilisez le détergent recommandé. La pression d'eau doit être entre 20 et 120 psi. Nettoyez les bras de lavage. Assurez-vous que les plats ne bloquent pas la rotation du bras de lavage et n'interfèrent pas avec le distributeur de détergent. Nettoyez les filtres.
Bruit	Un certain niveau de bruit est normal durant le fonctionnement. Le lave-vaisselle n'est pas droit. Le bras gicleur tape contre les plats.	Ouverture du couvercle du distributeur. Pompe d'évacuation au début du cycle de purge. Ajustez les pieds de niveau. Réarrangez les plats.
Il y a un nuage sur les verres.	Combinaison d'un excès de détergent et d'une eau sans calcaire.	Utilisez moins de détergent et un produit de rinçage pour minimiser le problème.
Traces noires ou grises sur les plats.	Les objets en aluminium se frottent contre les plats durant le cycle.	Réarrangez les plats.
Un film jaune ou brun se forme sur les surfaces à l'intérieur du lave-vaisselle.	Taches de café ou de thé.	Éliminez les taches à l'aide d'un produit détachant.
Les plats ne séchent pas.	Le distributeur de produit de rinçage est vide.	Vérifiez et rechargez le distributeur de produit de rinçage s'il est vide.
Les voyants ne s'allument pas.	Le lave-vaisselle n'est pas branché.	Branchez l'alimentation.
Les bras de lavage ne tournent pas bien.	Les trous des bras de lavage sont bloqués par des particules de nourriture.	Nettoyez les trous des bras de lavage.
Le panier supérieur est tordu.	Le panier est mal réglé.	Consultez la Section Utiliser votre Lave-vaisselle.
Le lave-vaisselle bippe continuellement lorsque la porte est ouverte, pendant ou juste après la fin du cycle.	L'intérieur du lave-vaisselle est chaud et vous devez être vigilant lorsque vous placez vos mains à l'intérieur pour le vider.	Fermez la porte jusqu'à ce que le lave-vaisselle et les plats aient refroidis. Le bip s'arrêtera si la porte est fermée ou que l'intérieur du lave-vaisselle est refroidi.
IE Erreur	Problème d'arrivée d'eau.	Vérifiez que votre tuyau d'arrivée d'eau n'est pas bouché, pincé ou gelé. Vérifiez l'arrivée d'eau.
OE Erreur	Problème de purge	Vérifiez que votre tuyau d'arrivée d'eau n'est pas bouché, pincé ou gelé.
FE Erreur	Apport d'eau trop important.	Veuillez appeler un Centre de Réparation Autorisé ou le Service Clientèle LGE au 1-800-243-0000 (US), 1-888-542-2623 (Canada)
HE Erreur	Panne du circuit de chauffage.	
tE Erreur	Panne du thermostat ou température très forte de l'arrivée d'eau (plus de 194°F)	

Si vous avez suivi ce guide de dépannage et que le problème persiste, ou si le problème que vous rencontrez n'est pas décrit ici, veuillez appeler le Service Client LGE au 1-800-243-0000(US), 1-888-542-2623(Canada).

SMART DIAGNOSTIC™ (DIAGNOSTIC INTELLIGENT)

Si vous rencontrez des problèmes avec votre lave-vaisselle, celui-ci peut transmettre des informations à votre Smartphone à l'aide de l'application LG Smart Laundry & DW, ou à travers la fonction téléphone au centre d'appel LG.

Le Diagnostic Intelligent ne peut être activé qu'après avoir allumé votre lave-vaisselle à l'aide du bouton Mise en Marche. Si votre lave-vaisselle ne peut pas s'allumer, le diagnostic doit être fait sans le Diagnostic Intelligent.



Diagnostic Intelligent depuis votre téléphone

1. Téléchargez l'application LG Smart Laundry & DW sur votre Smartphone.
2. Lancez l'application LG Smart Laundry & DW depuis votre téléphone.
3. Appuyez sur le bouton **Smart Diagnosis** sur votre téléphone intelligent.
4. Appuyez sur le bouton **Diagnose** sur votre téléphone intelligent.
5. Appuyez sur le bouton **Dishwasher** sur votre téléphone intelligent.
6. Appuyez sur le bouton **RECORD** sur le Smartphone puis placez le microphone du téléphone à proximité du trou situé sur le panneau latéral.
7. Appuyez et maintenez enfoncé le bouton Sanitary sur l'affichage du lave-vaisselle pendant trois secondes.

! NOTE

Après trois secondes, l'affichage changera de - : - à 17 et ensuite commencera le décompte du temps restant.

8. Une fois le téléphone positionné, appuyez sur le bouton Diagnostic Intelligent sur le téléphone.

! NOTA

Ne touchez aucun autre bouton ou icône de l'écran d'affichage.

9. Maintenez le téléphone ainsi jusqu'à ce que le signal de transmission s'arrête. Cela prend environ 17 secondes et l'écran affichera un décompte du temps restant.
10. Lorsque l'enregistrement est fini, affichez le diagnostic en appuyant sur le bouton Suivant du téléphone.

Diagnostic Intelligent depuis votre téléphone

1. Appelez le centre d'appel LG au : (LG U.S.) 1-800-243-0000 (LG Canada) 1-888-542-2623.
2. Lorsque le téléopérateur vous le demande, placez le microphone à proximité du trou situé sur le panneau latéral. Maintenez le téléphone à moins d'un pouce de la machine, mais sans la toucher.

! NOTA

Ne touchez aucun autre bouton ou icône de l'écran d'affichage.

3. Maintenez enfoncé le bouton Sanitary sur l'écran d'affichage pendant trois secondes.
4. Maintenez le téléphone ainsi jusqu'à ce que le signal de transmission s'arrête. Cela prend environ 17 secondes et l'écran affichera un décompte du temps restant.
5. Une fois que le compte-à-rebours est terminé et que les bruits ont stoppé, reprenez votre conversation avec le téléopérateur, qui pourra vous aider à l'aide des informations transmises pour analyse.

! NOTE

Le diagnostic intelligent est une caractéristique de dépannage conçue pour compléter, et non pour remplacer, la méthode traditionnelle de dépannage par les appels de service. L'efficacité de cette caractéristique dépend de plusieurs facteurs incluant, mais sans s'y limiter, la réception du téléphone cellulaire utilisé pour la transmission, tout bruit externe pouvant être présent lors de la transmission et l'acoustique de la pièce où la machine est située. Par conséquent, LG ne garantit pas que le diagnostic intelligent résoudra avec précision le problème en question.

GARANTIE LIMITÉE DU LAVE-VAISSELLE (USA)

Si votre lave-vaisselle LG est présente un défaut de fabrication ou main d'oeuvre dans des conditions normales d'utilisation et pendant la période de garantie détaillée ci-dessous, valide à partir de la date d'achat original de l'appareil, LG Electronics remplacera la pièce défectueuse. Les pièces de rechange auront la dimension et rempliront la fonction de la pièce originale. Les pièces de rechange sont garanties pendant toute la période de validité de la garantie originale. Cette garantie limitée ne s'applique qu'à l'acheteur original de l'appareil et n'est valide qu'aux États-Unis.

PÉRIODE DE GARANTIE	
Pour la période du :	LG remplacera :
Un an à partir de l'achat original	Toute pièce du lave-vaisselle présentant un défaut de fabrication ou main-d'oeuvre. Durant cette période d'une année de garantie pièce et main-d'oeuvre de l'achat original, LGE fournira également, gratuitement , toute la main-d'oeuvre et intervention sur site pour remplacer la pièce défectueuse.
Deux ans à partir de l'achat original	Toute pièce du lave-vaisselle (hormis exceptions ci-dessous) présentant un défaut de fabrication ou main-d'oeuvre. Durant cette période de deux ans de garantie pièces , les frais de main-d'oeuvre et d'intervention sur site seront à votre charge.
Cinq ans à partir de l'achat original	Panneau de contrôle électronique et panier du lave-vaisselle présentant un défaut de fabrication ou main-d'oeuvre. Durant cette période de cinq ans de garantie pièces , les frais de main-d'oeuvre et d'intervention sur site seront à votre charge.
Dix ans à partir de la date d'achat originale	Moteur Direct Drive présentant un défaut de fabrication ou main-d'oeuvre. Durant cette période de dix ans de garantie , les frais de main-d'oeuvre et d'intervention sur site seront à votre charge.
Garantie à vie limitée	contre-porte en inox et compartiment (tant que l'appareil est propriété de l'acheteur original) présentant un défaut de fabrication ou de main-d'oeuvre. Durant cette garantie à vie limitée sur les pièces , les frais de main-d'oeuvre et d'intervention seront à votre charge
Les unités de remplacement et les pièces de rechange peuvent être neuves ou reconditionnées. Les unités de remplacement et les pièces de rechange sont garanties pour la durée de validité de la garantie de l'unité originale	

Aucune autre garantie n'est applicable à l'appareil. CETTE GARANTIE REMPLACE TOUTE AUTRE GARANTIE, EXPRESSE OU IMPLICITE, Y COMPRIS ET SANS LIMITATION, TOUTE GARANTIE D'APTITUDE ET DE COMPATIBILITÉ À UN USAGE PARTICULIER. DANS LES CAS OÙ TOUTE GARANTIE IMPLICITE EST EXIGÉE PAR LA LOI, SA DURÉE SERA LIMITÉE À LA PÉRIODE DE GARANTIE EXPRESSE CI-DESSUS. NI LE FABRICANT NI SON DISTRIBUTEUR AUX ÉTATS-UNIS NE SERONT RESPONSABLES DE DOMMAGES INCIDENTS, CONSÉCUTIFS, INDIRECTS, SPÉCIAUX OU PUNITIFS, DE QUELQUE NATURE QUE CE SOIT, Y COMPRIS ET SANS LIMITATION, LA PERTE DE REVENU OU DE BÉNÉFICES, OU TOUT AUTRE DOMMAGE QUE CE SOIT PAR CONTRAT, TORT OU AUTRE. Certains états et/ou territoires ne permettent pas l'exclusion ou la limitation des dommages incidents ou consécutifs ou la limitation de la durée d'une garantie implicite, et les exclusions ou limitations mentionnées ci-dessus peuvent ne pas s'appliquer à vous. Cette garantie vous donne, en tant qu'acheteur original, des droits légaux spécifiques et d'autres droits peuvent également s'appliquer en fonction des états ou des territoires.

CETTE GARANTIE LIMITÉE NE COUVRE PAS :

1. Les appels d'intervention à votre domicile pour la livraison ou la prise en charge, l'installation, les consignes, le remplacement des fusibles, le branchement au réseau domestique ou la plomberie, ou la correction de réparation non-autorisées.
2. Les pannes de l'appareil en cas de panne de courant ou d'arrivée électrique inadaptée.
3. Les dommages causés par le transport et la manutention.
4. Les dommages causés à l'appareil par accident, les parasites, les éclairs, le vent, l'incendie, les inondations ou les catastrophes naturelles.
5. Les dommages causés par des tuyaux d'eau fuyants, cassés, gelés, des petits tuyaux de vidange, ou une arrivée d'eau inadaptée ou coupée.
6. Les dommages causés par une arrivée d'air inadaptée.
7. Les dommages causés lors du fonctionnement de l'appareil dans un milieu corrosif.
8. Les réparations lorsque votre appareil LG est utilisé dans des conditions normales d'un foyer mono familial ou que les consignes détaillées dans le Guide d'Utilisation de l'appareil ne sont pas respectées.
9. Les dommages résultant d'un accident, d'une modification, d'une mauvaise utilisation, d'un abus, d'une installation, réparation ou entretien inadapté. La réparation inadaptée comprend l'utilisation de pièces non autorisées ou indiquées par LG.
10. L'entretien normal décrit dans le Guide d'Utilisation, tel que le nettoyage ou le remplacement des filtres, le nettoyage des bobines, etc.
11. L'utilisation d'accessoires ou composants incompatibles avec ce produit.
12. Les produits dont le numéro de série a été altéré ou enlevé.
13. Les modifications de l'apparence du produit qui n'affectent pas ses performances.
14. Les augmentations des frais de fonctionnement et autres dépenses de fonctionnement. Le coût des réparations ou du remplacement sous ces circonstances d'exclusion sera aux frais du client.

Le coût des réparations ou du remplacement sous ces circonstances d'exclusion sera aux frais du client.

Pour consulter l'intégralité des détails de la garantie et de l'assistance à la clientèle, veuillez appeler ou visiter notre site web :

Appelez le 1-800-243-0000 (24h par jour, 365 jours par an) et sélectionnez l'option appropriée depuis le menu, ou visitez notre site web au <http://us.lgservice.com>

Ou par courrier : Centre d'Information Client LG :

P. O. Box 240007
201 James Record Road
Huntsville, Alabama 35813
ATTN: CIC

Informations d'enregistrement du produit :

Modèle: _____

Numéro de série: _____

Date de l'achat : _____

Nom du revendeur : _____

GARANTIE LIMITÉE LAVE-VAISSELLE (CANADA)

GARANTIE: Si votre lave-vaisselle (« l'appareil ») tombe en panne suite à une défaillance pièce ou main-d'oeuvre dans des conditions normales d'utilisation domestique durant la période de garantie détaillée ci-dessous, LG Canada se réserve le droit de réparer ou de remplacer l'appareil sous réception de la preuve d'achat originale. Cette garantie ne s'applique qu'à l'acheteur original de l'appareil et n'est valide que pour les appareils distribués au Canada par LG Canada ou un distributeur canadien autorisé. La garantie ne s'applique qu'aux produits situés et utilisés au Canada.

PÉRIODE DE GARANTIE : (Note : Si la date d'achat originale ne peut être vérifiée, la garantie commencera soixante (60) jours après la date de fabrication)			
Lave-vaisselle		Garantie étendue des composants (pièces seulement) (La main-d'oeuvre sera à la charge du client un (1) an après la date d'achat)	
Deux (2) ans après la date d'achat original de l'appareil.	Un (1) an après la date d'achat original de l'appareil.	Cinq (5) ans après la date d'achat original de l'appareil.	Dix (10) ans après la date d'achat original de l'appareil.
Pièces (pièces internes/fonctionnelles seulement)	Main-d'oeuvre	PCB, Panier, Contre-porte en inox, Compartiment	Moteur DD

- ▶ Les appareils et les pièces de rechange sont garantis pour la durée de validité restante de la garantie originale, ou pour quatre-vingt-dix (90) jours, selon la période la plus longue.
- ▶ Les appareils et les pièces de rechange peuvent être neufs ou reconditionnés.
- ▶ Le Centre de Service Autorisé LG garantit ses réparations pendant trente (30) jours.

LA SEULE RESPONSABILITÉ DE LG CANADA SE LIMITE À LA GARANTIE DÉFINIE CI-DESSOUS. HORMIS DANS LES CONDITIONS EXPLICITEMENT DÉFINIES CI-DESSUS, LG CANADA NE FAIT AUCUNE GARANTIE OU CONDITION PAR RAPPORT À L'APPAREIL, QU'ELLE SOIT EXPRESSE OU IMPLICITE, Y COMPRIS, SANS LIMITATION, TOUTE GARANTIE IMPLICITE D'APPLICATION OU DE CONFORMITÉ À UN USAGE PARTICULIER, ET AUCUNE DÉCLARATION NE LIERA LG CANADA. LG CANADA N'AUTORISE PERSONNE À CRÉER OU À ASSUMER UNE AUTRE GARANTIE OU RESPONSABILITÉ PAR RAPPORT À CET APPAREIL. DANS LES CAS OÙ UNE GARANTIE OU CONDITION EST REQUISE PAR LA LOI, LA DURÉE DE CELLE-CI EST LIMITÉE À LA PÉRIODE DE GARANTIE EXPRESSE CI-DESSUS. LG CANADA, LE FABRICANT OU SON DISTRIBUTEUR NE SAURAIENT ÊTRE RESPONSABLES DES DOMMAGES INCIDENTS, CONSÉCUTIFS, SPÉCIAUX, DIRECTS OU INDIRECTS, PERTE DE VALEUR, DE BÉNÉFICES, DOMMAGES PUNITIFS OU EXEMPLAIRES OU AUTRES, QU'ILS SURVIENNENT DIRECTEMENT OU INDIRECTEMENT D'UNE RUPTURE DE CONTRAT, ESSENTIELLE OU NON, OU DE TOUT ACTE OU OMISION, TORT OU AUTRE. Cette garantie vous donne des droits légaux particuliers. D'autres droits peuvent vous être accordés en fonction de votre région et de ses lois applicables. Toute condition de cette garantie qui rejette ou modifie une condition ou garantie implicite dans le cadre des lois régionales dissociable lorsqu'elle entre en conflit avec les lois régionales, sans que cela n'affecte le reste des conditions de cette garantie.

CETTE GARANTIE LIMITÉE NE COUVRE PAS :

1. Les interventions de livraison, de prise en charge ou d'installation du produit ; la livraison de conseils au client sur le fonctionnement de l'appareil ; la réparation ou le remplacement des fusibles ou la correction du branchement électrique ou de la plomberie, ou la correction de réparations ou d'installations non autorisées.
2. La panne de l'appareil en cas de panne de courant ou d'arrivée électrique inadaptée.
3. Les dommages causés par des tuyaux d'eau fuyant ou inadaptes, gelés, des petits tuyaux de vidange, une arrivée d'eau inadaptee ou coupée ou une arrivée d'air inadaptee.
4. Les dommages résultant du fonctionnement de l'Appareil en atmosphère corrosive ou contraire aux consignes détaillées dans le manuel du propriétaire de l'appareil.
5. Les dommages à l'appareil causés par un accident, les parasites, la foudre, le vent, l'incendie, les inondations ou les catastrophes naturelles.
6. Les dommages résultant de la mauvaise utilisation, installation, réparation ou entretien, ou de l'abus de l'appareil. La mauvaise réparation comprend l'utilisation de pièces non approuvées ou indiquées par LG Canada.
7. Les dommages ou les pannes de l'appareil causées par une modification ou altération non-autorisée, ou l'usage détourné, ou résultant d'une fuite d'eau liée à une mauvaise installation.
8. Les dommages ou pannes de l'appareil causées par un courant électrique ou des codes de plomberie incorrects, ou un usage commercial ou industriel inapproprié, ou utilisation d'accessoires, composants ou produits de nettoyage non approuvés par LG Canada.
9. Les dommages causés par le transport et la manutention, y compris les rayures, bosses, entailles et/ou autres dommages à la finition de l'appareil, à moins que ces dommages ne résultent de défauts de pièce ou main-d'oeuvre et ne soient reportés dans la (1) semaine de la livraison.
10. Les dommages ou éléments manquants à un appareil de vitrine, de carton ouvert, en promotion ou reconditionné.
11. Les appareils dont les numéros de série originaux ont été enlevés, altérés ou ne peuvent pas être déterminés facilement. Le modèle et le numéro de série, ainsi que la facture d'achat originale, sont nécessaires à la validation de la garantie.
12. Les augmentations des frais de fonctionnement et autres dépenses de fonctionnement.
13. Le remplacement des ampoules, des filtres ou des consommables.
14. Les réparations lorsque votre appareil est utilisé dans des conditions autres que normales et domestiques (y compris, sans limitation, l'utilisation commerciale, dans des bureaux ou des aires de loisir) ou contrairement aux consignes établies dans le manuel du propriétaire de l'appareil.
15. Les coûts associés au retrait de l'appareil de votre foyer pour réparation.
16. Le retrait et la réinstallation de l'appareil s'il est situé dans un endroit inaccessible ou s'il n'est pas installé conformément aux consignes d'installations publiées, y compris dans le manuel d'installation et dans le manuel du propriétaire de l'appareil.
17. Les accessoires de l'appareil comme les bacs de porte, les paniers, les poignées, les étagères, etc... Les pièces autres que celles incluses dans le produit d'origine sont également exclues.

Tous les frais associés aux circonstances d'exclusion de garantie ci-dessus seront à la charge du client.

Pour consulter l'ensemble des détails de la garantie ainsi que l'assistance clientèle, veuillez appeler ou visiter notre site web :

Appelez le 1-888-542-2623 (24h/jour, 365 jours/an) et sélectionnez l'option adaptée depuis le menu, ou visitez notre site web au <http://www.lg.ca>

Écrivez vos informations de garantie ci-dessous :

Informations d'enregistrement du produit : _____

Modèle : _____

Numéro de série : _____

Date d'achat : _____



LG Customer Information Center

For inquires or comments, visit www.lg.com or call;

1-800-243-0000 USA, Consumer User

1-888-542-2623 CANADA

Register your product Online!

www.lg.com