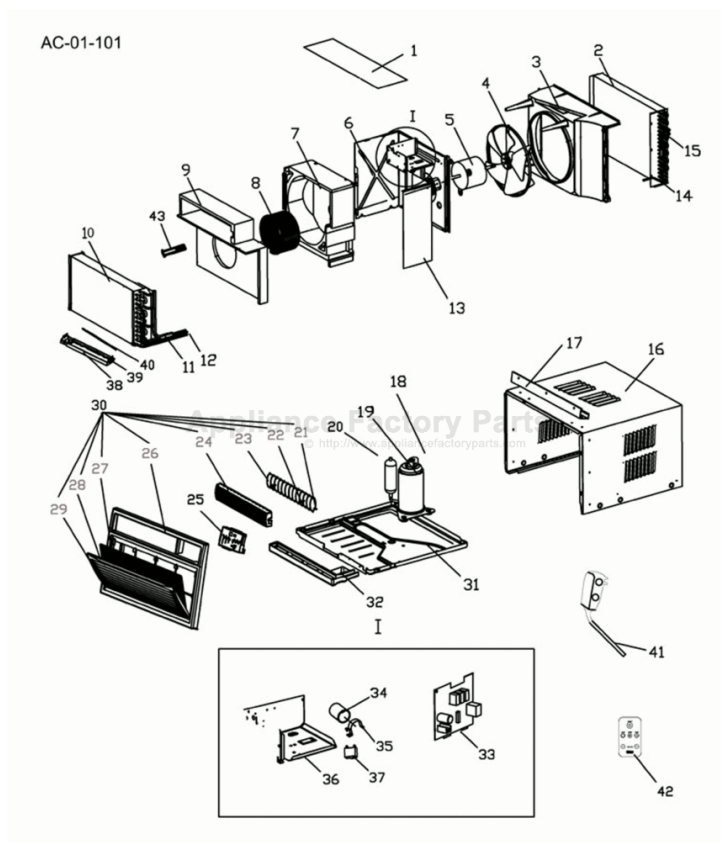


This Owner's Manual is provided and hosted by Appliance Factory Parts.



Haier ESAX3186E Owner's Manual

[Shop genuine replacement parts for Haier ESAX3186E](#)



[Find Your Haier Air Conditioner Parts - Select From 735 Models](#)

----- Manual continues below part list -----

Available Replacement Parts for Haier ESAX3186E

AC-5200-249	pnl - Display Holde
WJ73X10211	Fan - Propeller
AC-1470-21	Case
AC-5620-30	Remote
WJ85X23968	USE NLA ITEM FILTER



Haier

北京2008年奥运会赞助商
Official Sponsor of the Beijing 2008 Olympic Games

CAUTION

**READ THIS MANUAL CAREFULLY TO
DIAGNOSE TROUBLE CORRECTLY
BEFORE OFFERING SERVICE .**

SERVICE MANUAL

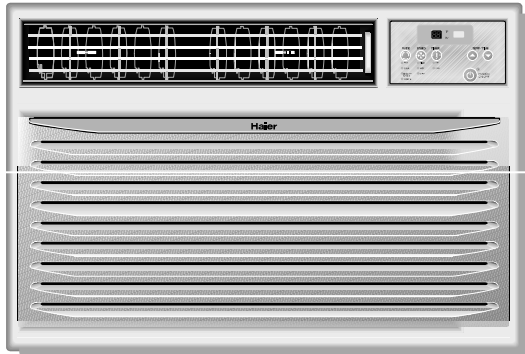
Air Conditioners

MODEL: ESAX3186

**THIS MANUAL IS USED BY
QUALIFIED APPLIANCE
TECHNICIANS ONLY. HAIER
DOES NOT ASSUME ANY
RESPONSIBILITY FOR PROPERTY
DAMAGE OR PERSONAL INJURY
FOR IMPROPER SERVICE
PROCEDURES DONE BY ONE
UNQUALIFIED PERSON.**

Part # AC-8888-126

IMPORTANT INFORMATION



● Features

- Thermostat
- 3 Fan speed
- A/C Dehumid Fan Only
- Energy saver
- Timer
- 4 way Air Flow

● Main Specification

- Cooling Capacity 17000BTU/h
- Rated Power/Current(cooling) 1500W /12.0A
- EER: 10.7
- Air Volume(Indoor/outdoor): 300 m³/h
- Power: 115V~ 60 Hz



Safety Information

General Information

This Service Manual describes the operation, disassembly, troubleshooting, and repair of Haier Room Air Conditioners, etc. It is intended for use by authorized servicers who troubleshoot and repair these units.

NOTE: It is assumed that users of this manual are familiar with the use of tools and equipment used to troubleshoot and repair electrical, mechanical, and refrigeration systems; and understand the terminology used to describe and discuss them.

Haier urges you read and follow all safety precautions and warnings contained in this manual. Failure to comply with safety information may result in severe personal injury or death.

Related Publications

This is a base service manual, covering a range of similar models. It is intended to be used in conjunction with the Parts Manual and Technical Sheet covering specific model being serviced.

General Precautions and Warnings

WARNING

To avoid risk of personal injury or death due to electrical shock, disconnect electrical power to unit before attempting to service the unit.

WARNING

To avoid risk of personal injury or death due to electrical shock, **DO NOT**, under any circumstances, alter the grounding plug. Air conditioner must be grounded at all times. Do not remove warning tag from power cord. If a two-prong (non-grounding) wall receptacle is encountered, contact a qualified electrician and have the receptacle replaced with a properly grounded wall receptacle in accordance with the National Electrical Code.

WARNING

To avoid risk of personal injury or death due to electrical shock, grounding wires and wires colored like grounding wires are **NOT** to be used as current carrying conductors. The standard accepted color coding for ground wires is **green** or **green with a yellow stripe**. Electrical components such as the compressor and fan motor are grounded through an individual wire attached to the electrical component and to another part of the air conditioner. Grounding wires should not be removed from individual components while servicing, unless the component is to be removed and replaced. It is extremely important to replace all removed grounding wires before completing service.

WARNING

To avoid risk of heat exposure, which may cause death or severe illness, air conditioner must be monitored when malfunctions or shuts down.

CONTENTS

1..SPECIFICATION.....	1
2.ACCESSORIES.....	3
2..OPERATION.....	5
3..TROUBLE SHOOTING.....	11
4.INSTALLA TION.....	13
5.WIRING DIAGRAM.....	18

SPECIFICATION

Model	ESAX3186		Brand Mark	haier	
Cooling	Cooling Capacity	17000BTU/h	Frequency Range	_____	
	Rated Power/Current	1500W/12.0A	Power	1PH	115V~60 Hz
	Max Power/Current	_____	Power Cord	Model×Sectional Area	_____
	EER	10.7BTU/h·W		Refer. No.	_____
Heating	Heating Capacity	_____	Compressor manufacturer/Type	SANYO/C-R105H2A	
	Rated Power/Current	_____	Compressor	_____	
	Max Power/Current	_____	Oil charge	_____	
	COP	_____			
Power/Current of Electric Heating		_____	Refrigerant	ype/Net Charge	R22/42.3Oz
Operating temp. range		25°C-35°C		Additional Charge for exhausting air.	_____
Indoor Velocity	H	1040 ±40 RPM		Charge if over Standrad Pipe length	_____
	M	970 ±50 RPM	Capillary	Lenth×Internal/External Diametre	∅2.7*0.55*1000 mm
	L	920 ±50 RPM		Refer No.	_____
Outdoor Velocity	H	_____	Height of rising radiator slice	Indoor	1.60 mm
	H	_____		Outdoor	1.37 mm
Air Volume (High)	Indoor	300CFM	Outdoor Weight	Net	_____
				Gross	_____
Capacitor of Fan Motor		10uF/250v	Packaging Dimension(L×W×H)		22 3/8x29 13/16x 29
Class of electric Shock Protection		_____	Outdoor Dimension (L×W×H)		_____
Class of Water Proof		IP24	Outdoor Packaging dimension(L×W×H)		_____
Moisture Removal		_____	Refrigerant Pipe	liquid /Gas pipe Diametre	_____
Remote Controller	Model	_____		standard Lenth	_____
	Refer. No.	_____		Max Lenth	_____
Remote Controller Bracket		_____	Lenth/Diametre of Drain Hose		_____
Appearance		_____	Max. pressure at warm side		380psig
Climate Type		America standard	Max.pressure at cool side		170psig
Installation Bracket Type		_____	Plug Type(spec.)		_____
Area available for clooling/heating		12-18 m ²	Ammeter spec.		_____
Max.running temperature(cooling):		Dry/Wet ball(indoor) 32.2°C/22.8°C	Max.running temperature(heating):		Dry/Wet ball(indoor) ____/____
		Dry/Wet ball(outdoor)43.3°C/25.6°C			Dry/Wet ball(outdoor) ____/____

ACCESSORIES

Number	Name	Refer No.	Description	Quality	Failure Rate(%)	Remark
1	remote controller	0010403473	None	1	0.2	*
2	wood screw	001A5002292	fix function	10	0.1	
3	manual	0010555512	Serve guide	1	0.1	
4	window seal gasket	0010101353	Prevent that water permeates through chink	1	0.1	
5	installation bracket	0010100390(left) 0010100391(right)	supporting	2	0.1	
6	curtain attachment screws	001A5002115	fix function	10	0.1	
7	top rail	0010100724	Install top rail with four curtain attachment screws	1	0.1	
8	left and right side curtains	0010203054 0010203055	slide left-hand curtain assenbly into left end of top and bottom rails	2	0.1	
9	long flat head bolt and locknut	0010600034 001A5102003	connecting	2	0.1	
10	long screw and locknut	001A5102046 001A5002125	connecting	4	0.1	

OPERATION

English

Operating Guide

Normal Operating Sounds

The following sounds are normally heard during the operation of an air conditioner.

- Cool airflow movement as dictated by the set fan speed.
- Water sounds. This is normal as your air conditioner acts as a dehumidifier also. Thus you will hear water sounds from water drops falling on the condenser.
- As the refrigerant flows through the inner sealed tubing a rushing noise may be heard.
- Rattling or vibrating noises may be heard due to poor wall or window installation.
- High pitch compressor sound may be heard.

Operating Instructions

Following are the operating instructions of your electronic air conditioner.

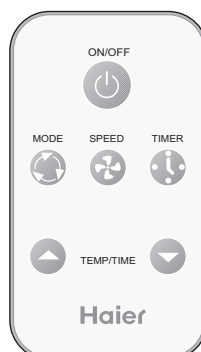
Remote control and control panel operations

After installing your air conditioner plug it in to the proper electrical outlet in the wall. Keep the vent in the closed position. Now set the air conditioner at your comfort level. This full functional wireless remote allows you to operate your air conditioner without having to get up and go to the unit. The full function feature allows you to change the settings and turn the unit on or off from the remote itself. This control pad works the same as the control pad on the air conditioner.

(See Fig. # 1)

Fig. # 1

Remote Control



English

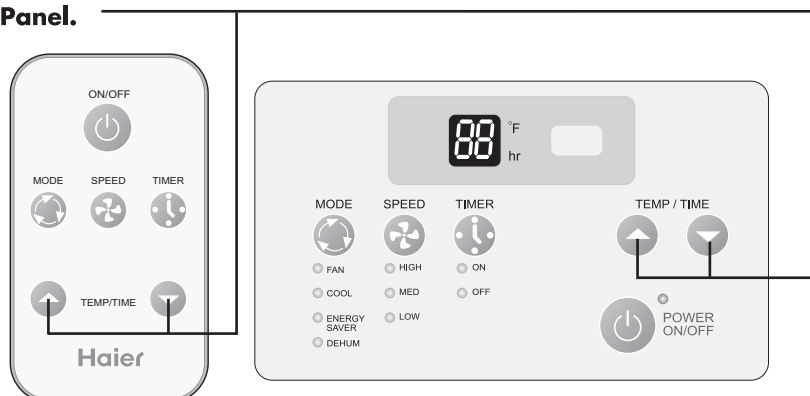
After you plug in the unit it will perform a self test. All the display lights will turn on for 3 seconds. The LED display will read "88". If any display light fails to turn on you may need service on the unit. After the 3 seconds self test the unit will automatically go to the stand by mode. Now all lights will be off and you will have to turn "ON" by pressing the On/Off key. After pressing "On/Off", the unit starts to work and enters the status of "Fan" with low setting.

You will have to press the (▲) or (▼) key on the Temp/Time to set the temperature at your desired comfort. You can choose between 61°F and 86°F. Once the temperature is set you can raise or lower it by pressing the (▲) or (▼) keys. (Only when the unit is cooling, energy saver or dehumidifying, can the temperature setting be adjusted.) (See Fig. # 2)

Having set the temperature you will set the function of the air conditioner.

Fig. # 2

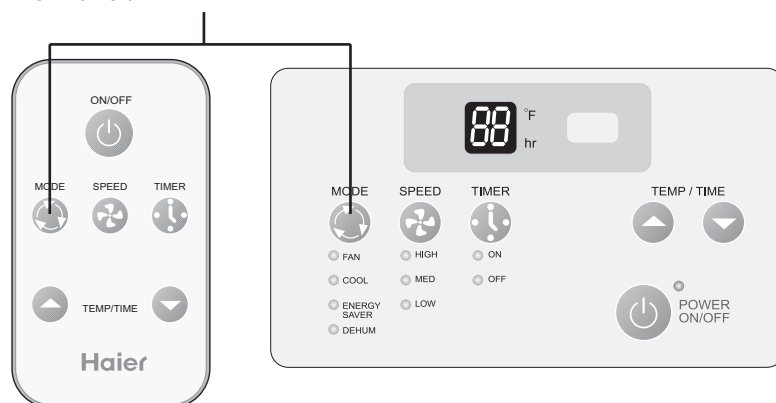
Control Panel.



Every time you press the MODE button, it will change between FAN, COOL, ENERGY SAVER and DEHUM. (See Fig. # 3)

English

Fig. # 3
Control Panel.



Once the function mode is decided you will have to set the fan speed. (See fig. #4)
Every time you press the SPEED button, fan speed will change between LOW, HIGH, MED.

1) If you choose the COOL mode you can run the fan in one of the 3 speeds HIGH, MED, LOW.

2) For cool days you may want to run the "FAN" function. The fan can be set to run at 3 speeds (HIGH fan, MED fan, LOW fan) as desired by you.

3) If you choose to use the Dehumid function. This will remove excess moisture from the air on excessively humid days.

Tr: temperature inside the room.

Ts: the set temperature.

1) When $Tr > Ts + 3^{\circ}F$, the compressor will run continuously the fan at the selected speed.

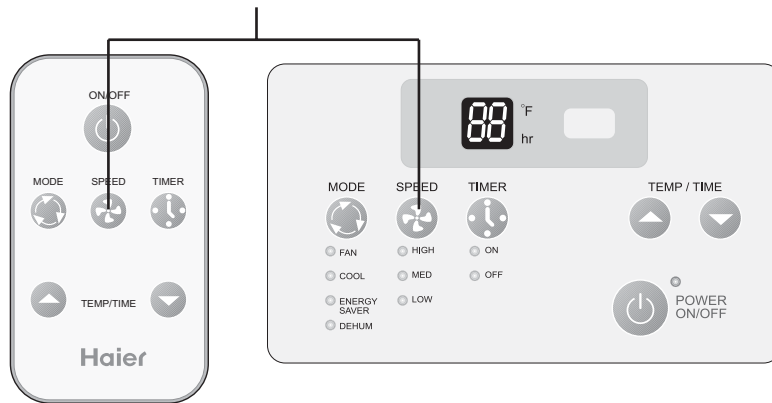
2) When $Ts - 1^{\circ}F \leq Tr \leq Ts + 3^{\circ}F$ the compressor will cycle for 10 minutes on and 6 minutes off.

3) When $Tr < Ts - 1^{\circ}F$, the compressor will shut off.

The dehumidification process takes place between the set temperature - 1 and $3^{\circ}F$ above the set temperature.

4) Energy Saver : The unit runs the same as COOL setting in the ENERGY SAVER mode. But the fan will be off 3 minutes after the compressor cycle off.

Fig. # 4
Control Panel.



Timer on or Timer off mode is used to pre-start or shut off your unit in advance. You can program this up to 24 hours in advance. You can use the Timer in 4 functions i.e. COOL, Energy saver, Dehumid or Fan .

- Timer on (See Fig. # 5)

Unit must be on to set the timer. Unit will shut down automatically after it accepts the settings in 5 seconds. Use this mode to pre-set the start time of the unit 24 hours in advance.

a) Press TIMER ON, LED display will show "XX" (time set last time) when power is connected first time, LED display will show "01".

b) Set desired number of hours by pressing the (▲) pad of the Temp/Time buttons, one for each hour. If you passed the desired time use the (▼) pad key to lower the selection.

c) After set TIMER ON, LED display will show the time. This time displayed: unit will starts after X hours.

- Timer off (See Fig. # 5)

Unit must be running to set the timer off. Use this to preset the time you would like the unit to shut off.

a) Press TIMER OFF, LED display will show "XX" (time set last time) when power is connected first time, LED display will show "01".

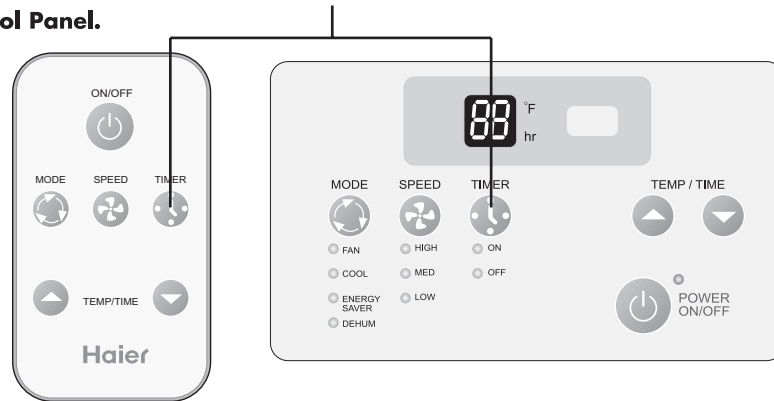
b) Set desired number by pressing the (▲) pad of the Temp/Time buttons. One for each hour. If you passed the desired time, use the (▼) pad key to lower the selection.

c) After set TIMER OFF, LED display will show the room temperature about 5 seconds later.

When using the timer the unit will use/revert to the last COOL and fan settings when activated. The timer must be reset every time you choose to use it.

English

Fig. # 5
Control Panel.

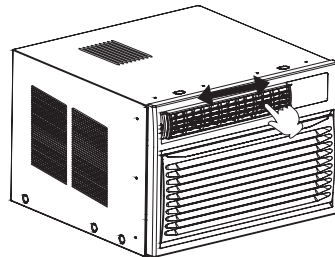


Adjusting the Air Flow Direction

Airflow can be adjusted by changing the direction of the air conditioner's louvers. This can also increase the cooling efficiency of the air conditioner.

Adjusting Horizontal Air Flow Direction

Adjusting the vertical louvers left and right will change horizontal airflow.



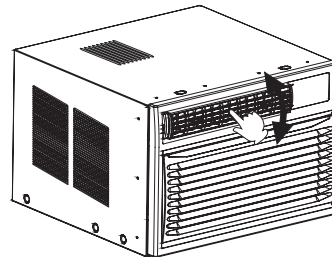
Adjusting Horizontal Air Flow

Recommended orientation of louvers

Adjust louvers to face upwards when cooling to maximize cooling efficiency.

Adjusting Vertical Air Flow Direction

Adjusting the Horizontal vane up and down will change vertical airflow. The vane can be adjusted by nudging the back or up and down of the vane.



Adjusting Vertical Air Flow

TROUBLESHOOTING

Maintenance Service and Trouble Shooting

Air conditioner working but room not cooling:

- Room may have appliances that produce heat. Use an exhaust fan to remove excess heat.
- Redirect the airflow. Remove any obstacles.
- All doors and windows need to be closed so cool air does not escape the room.
- Air filter may need cleaning.
- Unit BTU may be too low for the required cooling area.
- On extreme hot & humid days air conditioners may take a little longer to cool.
- Vent may be in the open position. Vent has to be closed for optimum cooling.

Air conditioner is making noise when cooling:

You may hear sounds of air movement, water, compressor clicking on and off or window vibrations. Read Operating Guide – Normal Operating Sounds. (See page 6)

Water in the air conditioner cabinet:

This is normal as your air conditioner not only cools but also dehumidifies the air. If there is water dripping inside the room, check the installation of the unit. The unit may need to be reinstalled. (See page 16)

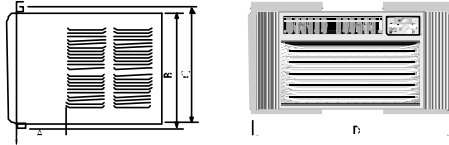
INSTALLATION

Installation and Accessory Parts

Installing Unit into A Window

Window Opening Requirements

The air conditioner is designed to fit into double or single hung sash type windows. Each of the units comes with an installation kit that provides adjustable mounting louvers, to fill the gaps between the sides of the unit, and the window frame. The chart below reflects the dimensions of the units with, and without installation kits. Measure your window opening width and compare it to the chart below to ensure that it meets the minimum and maximum window width requirements.



ESAX3186

Model	ESAX3186
Dimension	
A(inch)	$11\frac{2}{5}$ "
B(inch)	$18\frac{3}{5}$ "
C(inch)	$18\frac{3}{5}$ "
D(inch) Max	$42\frac{5}{6}$ "
D(inch) Min	$30\frac{1}{8}$ "
Case High	$18\frac{2}{32}$ "
Case Width	$26\frac{9}{16}$ "
Case Depth	$24\frac{13}{32}$ "

1 PREPARE UNIT FOR INSTALLATION

Unpack unit on floor next to installation location.

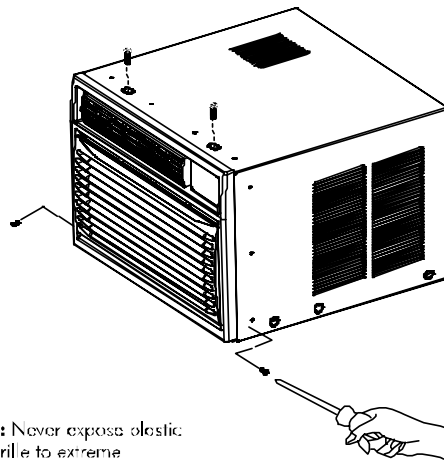
Remove two front attachment screws.

Separate the outer case from the front with a putty knife at the catch points designated by the arrows.

Remove the two screws on top of the outer case.

Using the basepan handle, slowly and evenly pull chassis out from outer case.

Note: Cover putty knife blade with masking tape to guard against damage of the unit finish.



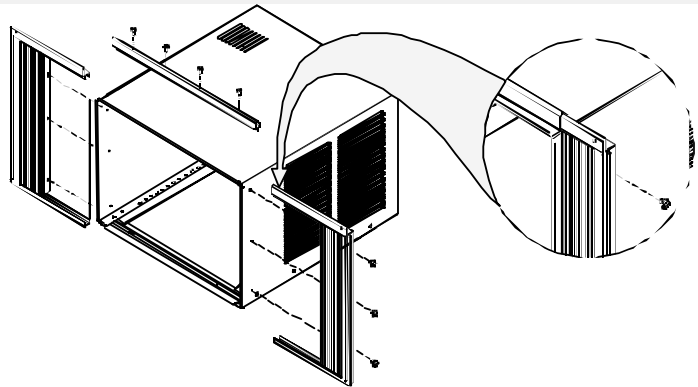
Caution: Never expose plastic front or grille to extreme temperatures.

Installation and Accessory Parts

2 ASSEMBLE CURTAINS/TOP RAIL

Install top rail with four 13/32" screws.

Slide left hand curtain assembly into left end of top and bottom rails. Repeat for right-hand curtain assembly. Fasten curtain retainer strips to sides of outer case with six 13/32" screws.



3 PREPARE WINDOW FOR INSTALLATION

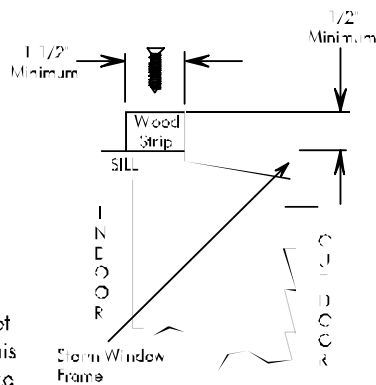
Inspect window track, sash, and sill for its ability to support the weight of air conditioner.

Measure width between window moldings to ensure Instant Mount will fit window frame. Instant Mount models are designed for windows wide (the detail see page 15)

Instant Mount kit supplied with unit is designed for mounting in most double-hung windows **without storm windows**. For installation in window frame with storm window, modify sill by adding wood strips (not included) to inner and outer sills. This raises unit and eliminates interference of storm window frame.

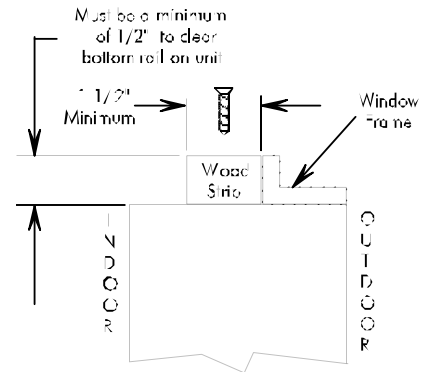
Storm window installation

If storm window frame does not allow adequate clearance below sill (1/2" required), remove storm window frame or create clearance by adding a wood strip (at least 1 1/2" wide) along entire width of sill. Fasten wood strip to sill with at least three countersunk wood screws (not supplied with kit). This provides a smooth surface for mounting air conditioner.



Mobile home window installation

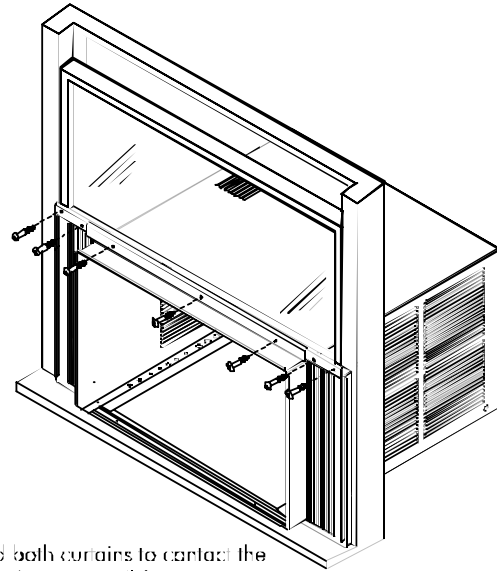
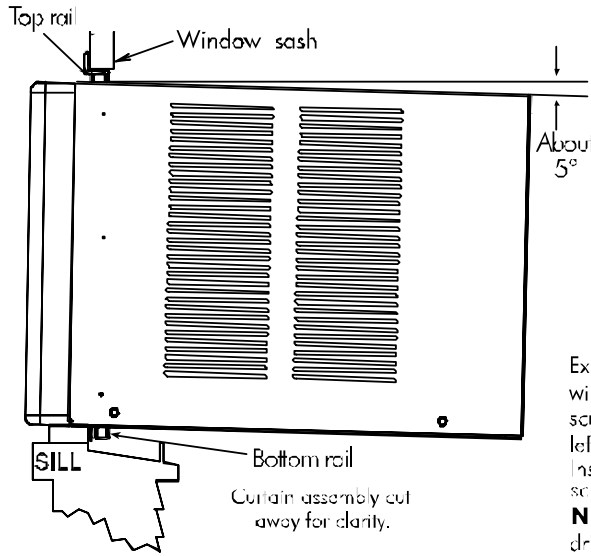
Add wood strip (at least 1 1/2" wide) along entire width of window sill. Thickness of wood strip should match height of front lip on window frame. Fasten wood strip to sill with a minimum of three countersunk wood screws (not supplied with kit). This provides a smooth surface for mounting air conditioner.



Installation and Accessory Parts

4 INSTALL OUTER CASE IN WINDOW

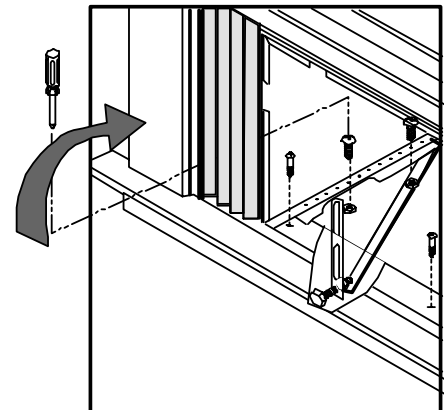
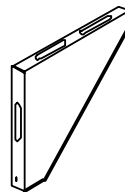
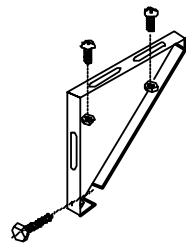
Place outer case in window. Lower sash until it rests behind front flange of top rail. Bottom rail must rest behind window sill.



Expand both curtains to contact the window frame. Install four wood screws 3/16". Two in each upper right and left of the curtains. Install three wood screws 3/16" top mounting rail screws.

NOTE: To make screws easier to drive, drill a pilot hole into sash through clearance hole in curtains.

Use two wood screws 3/16" to fix the case to window sash. Install left & right installation bracket one as shown in fig. Install 1 bolt (2 1/2" long flat head bolt and locknut) to the installation bracket and adjust them to proper length, then use 4 (1/8") screws to fix the bracket on the case.



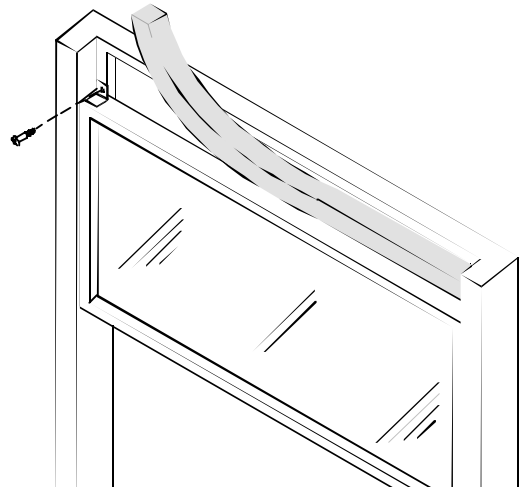
Installation and Accessory Parts

5 INSTALL SASH BRACKET & SEAL GASKET

Install sash bracket on top of indoor window sash with one wood screw 3" / 32" to prevent raising of window from the outside. Screw anchor directly into side of window frame. For hard wood or metal window frames, drill a pilot hole to start screw.

Important: Be careful not to drill pilot hole too deep. Add a piece of tape to the drill bit as a depth gauge. Also stay clear of glass. Be careful not to damage the function of the window.

Cut window seal gasket to width of window. Stuff window seal strip between outdoor window glass and top of indoor sash. This will stop air leakage which reduces efficiency.



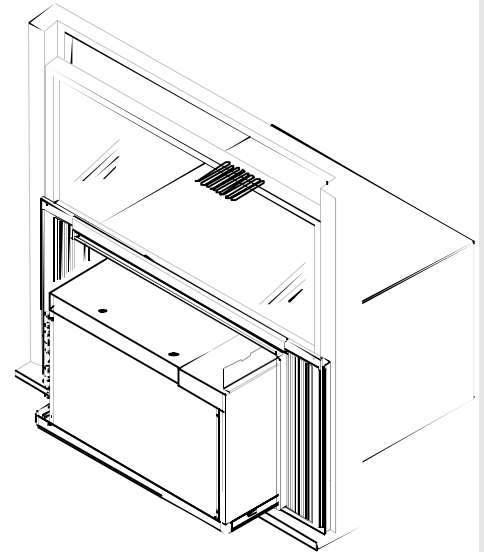
6 RETURN CHASSIS TO OUTER CASE

Find someone to help you replace chassis in outer case. Replace front panel, and grille.

Caution:

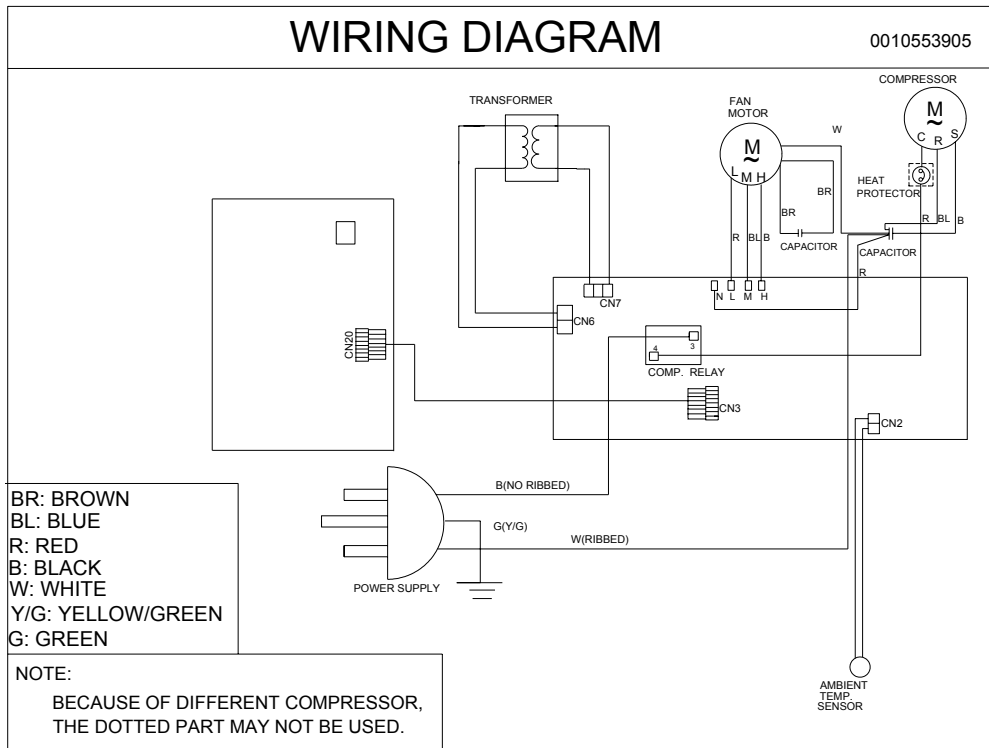
For security purpose, reinstall screws at cabinet's sides. Where possible install two screws on top of the outer case, removed in step one.

IMPORTANT: Because window sash helps keep unit in window, make certain window sash contacts outer case before reinstalling chassis.



WIRING DIAGRAM

Wiring Diagram



Sincere Forever