

This Owner's Manual is provided and hosted by [Appliance Factory Parts](#).



# HUNTINGTON REBEL Owner's Manual

[Shop genuine replacement parts for HUNTINGTON  
REBEL](#)



[Find Your HUNTINGTON Grill Parts - Select From 153 Models](#)

----- Manual continues below -----



REDI-BILT BARBECUES

ASSEMBLY MANUAL & PARTS LIST

MANUEL DE MONTAGE & LISTE DE PIÈCES



**STERLING** 5020-54

**HUNTINGTON** 6020-54

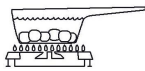
**broil-mate** 7020-54



**STERLING** 5130-54

**HUNTINGTON** 6130-54

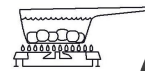
**broil-mate** 7130-54



**STERLING** 5020-64  
5120-64

**HUNTINGTON** 6020-64  
6120-64

**broil-mate** 7020-64  
7120-64



**STERLING** 5130-64

**HUNTINGTON** 6130-64

**broil-mate** 7130-64

RETAIN FOR FUTURE REFERENCE

VEUILLEZ CONSERVER POUR REFERENCE ULTERIEURE

1-800-265-2150

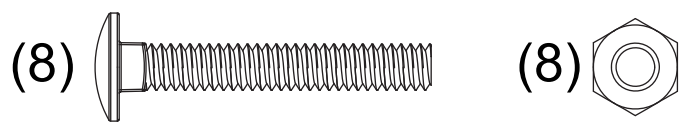
info@omcbbq.com

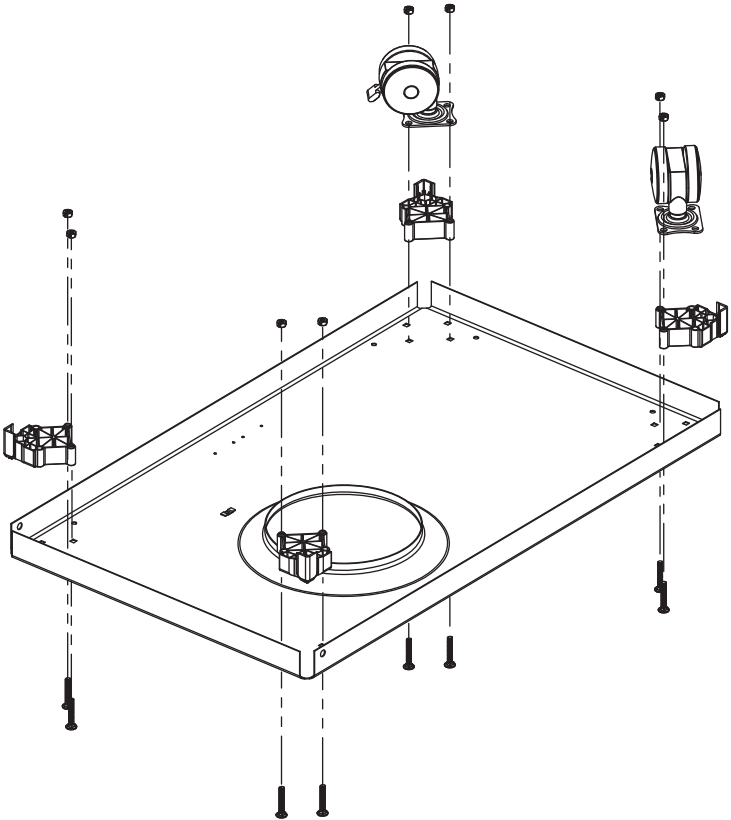


SINCE 1906

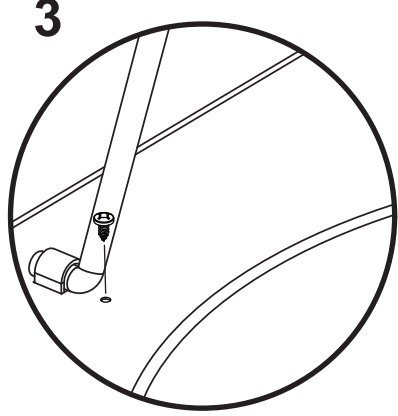
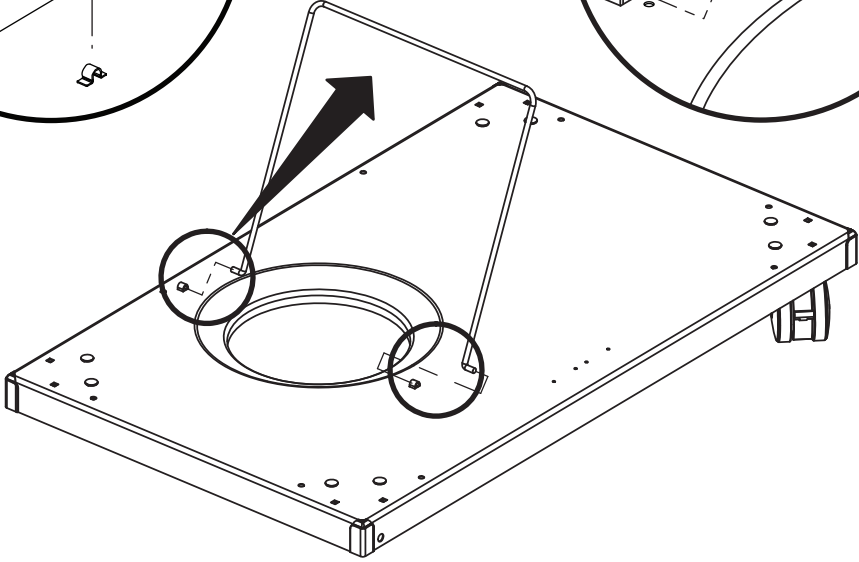
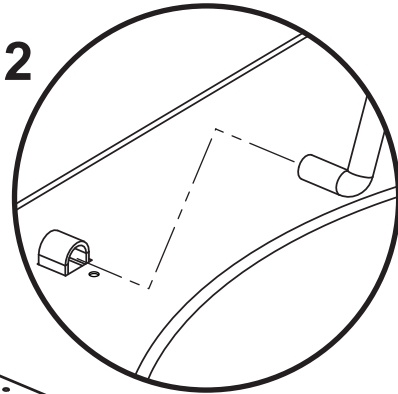
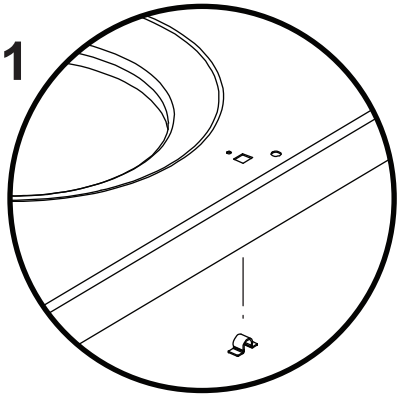
1000 EAST MARKET STREET  
HUNTINGTON, INDIANA, 46750, USA

50084-E30 REVE 06/10

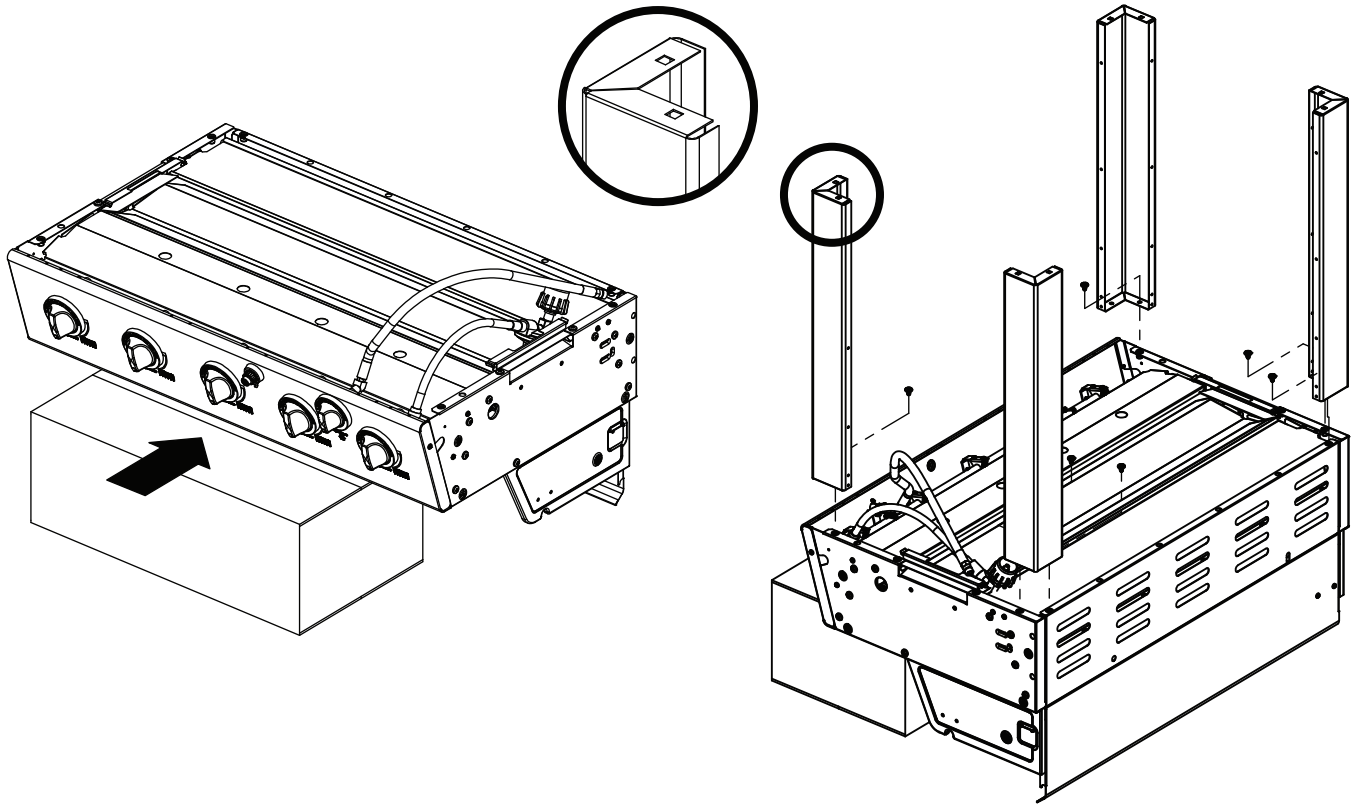
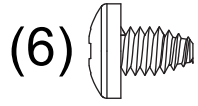
<b>1</b>	
----------	--



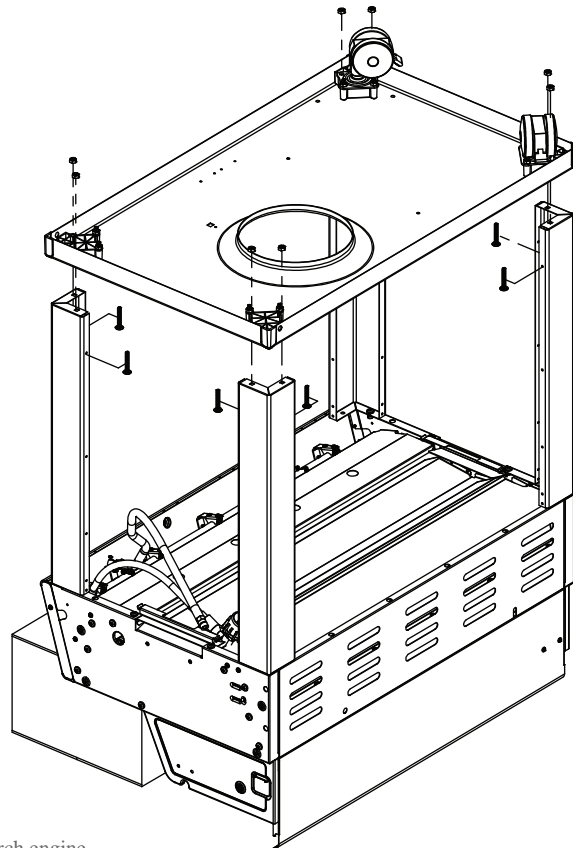
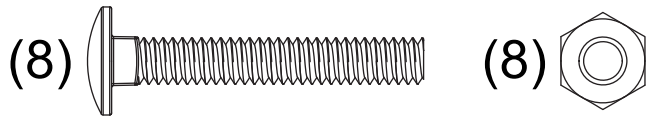
<b>2</b>	
----------	---



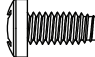
3

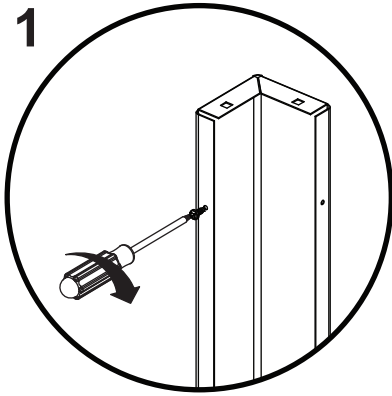


4

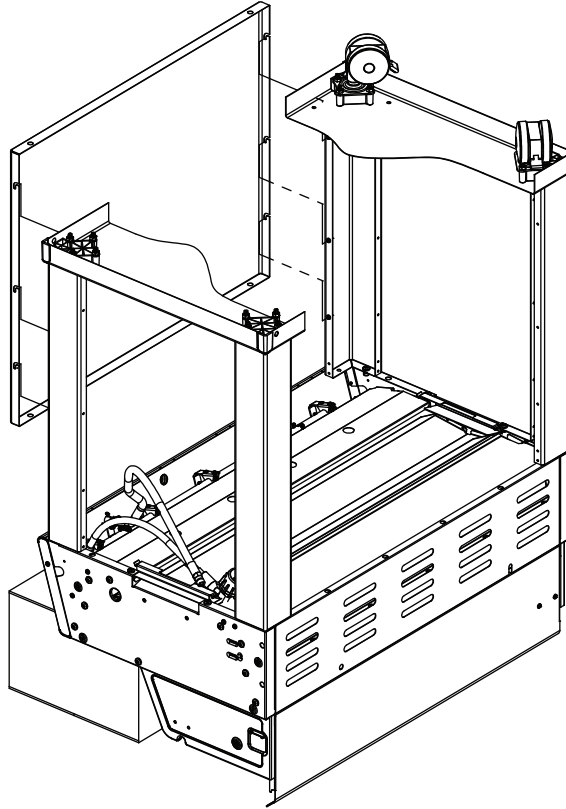


**5**

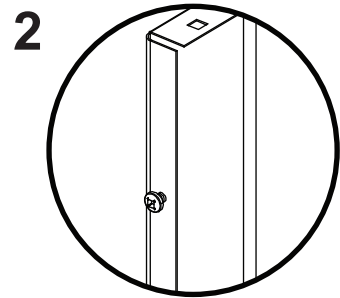
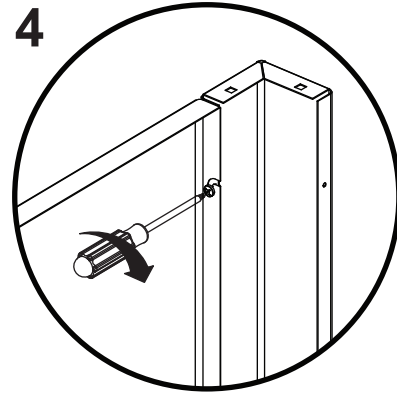
(6) 



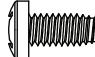
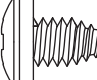

**3**

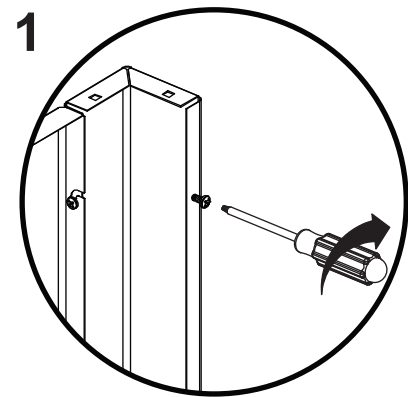


**4**

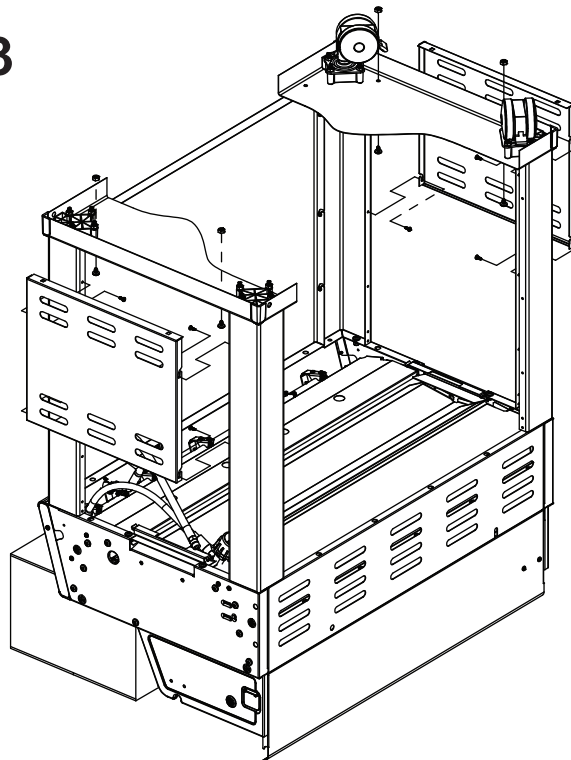


**6**

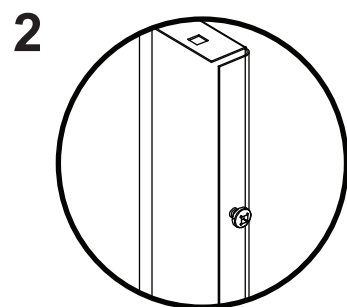
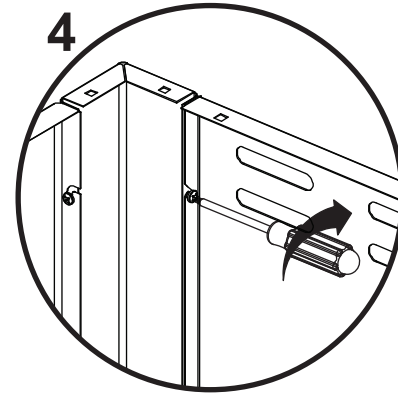
(8)  (4)  (4) 



**3**

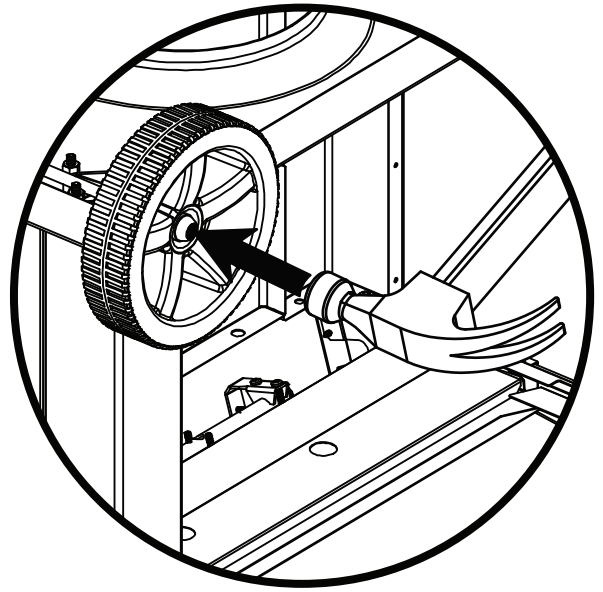
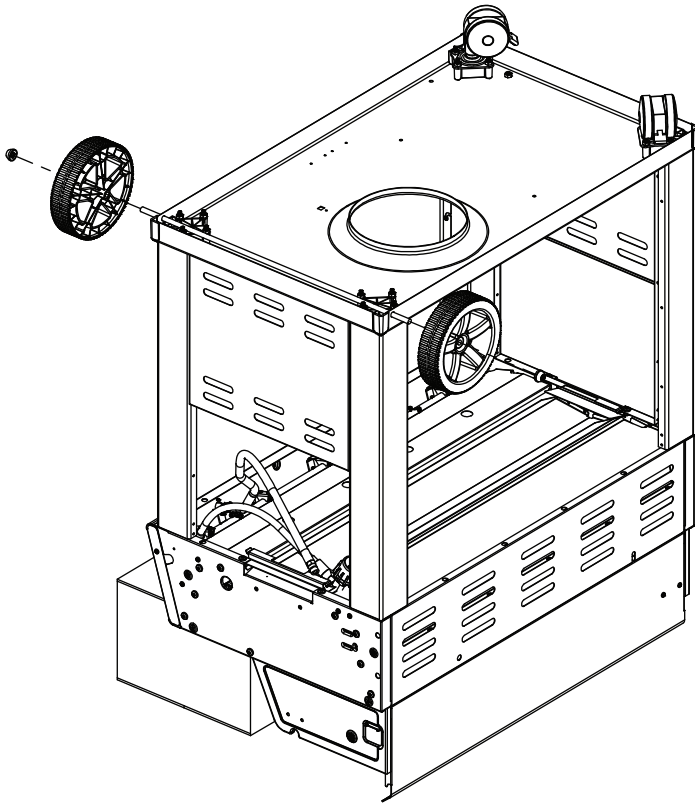
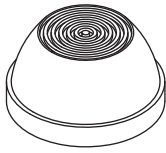


**4**

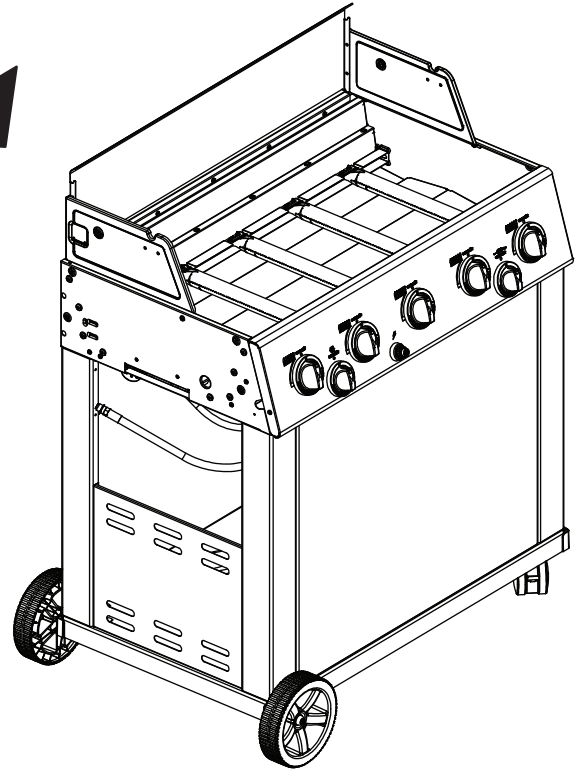
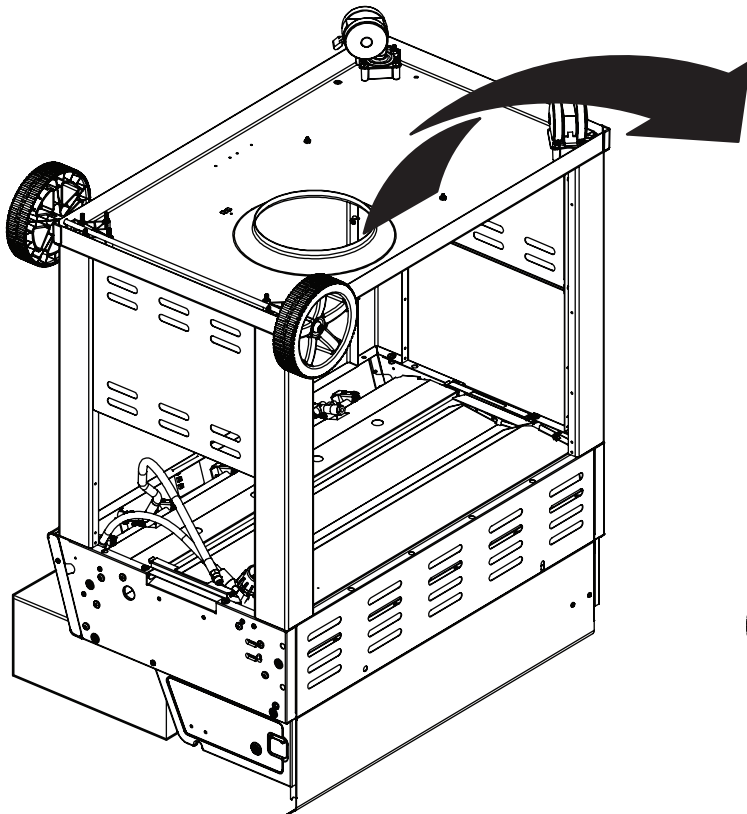


7

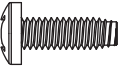
(2)

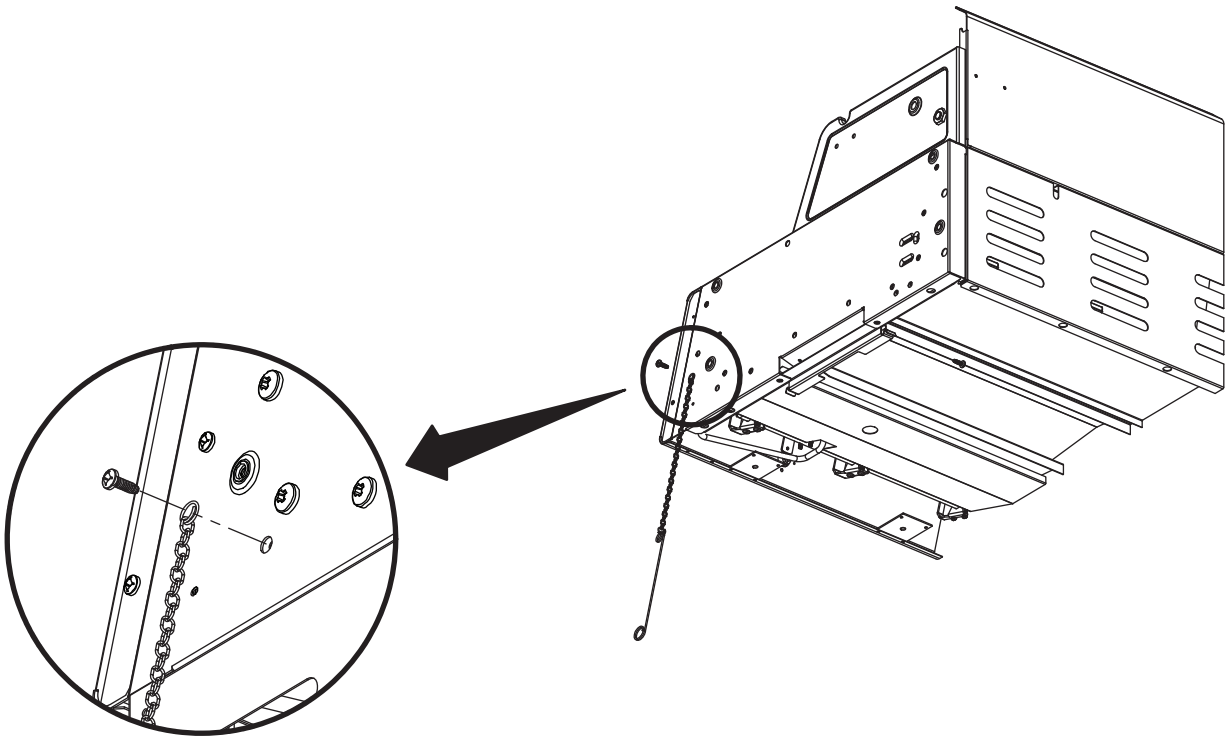


8

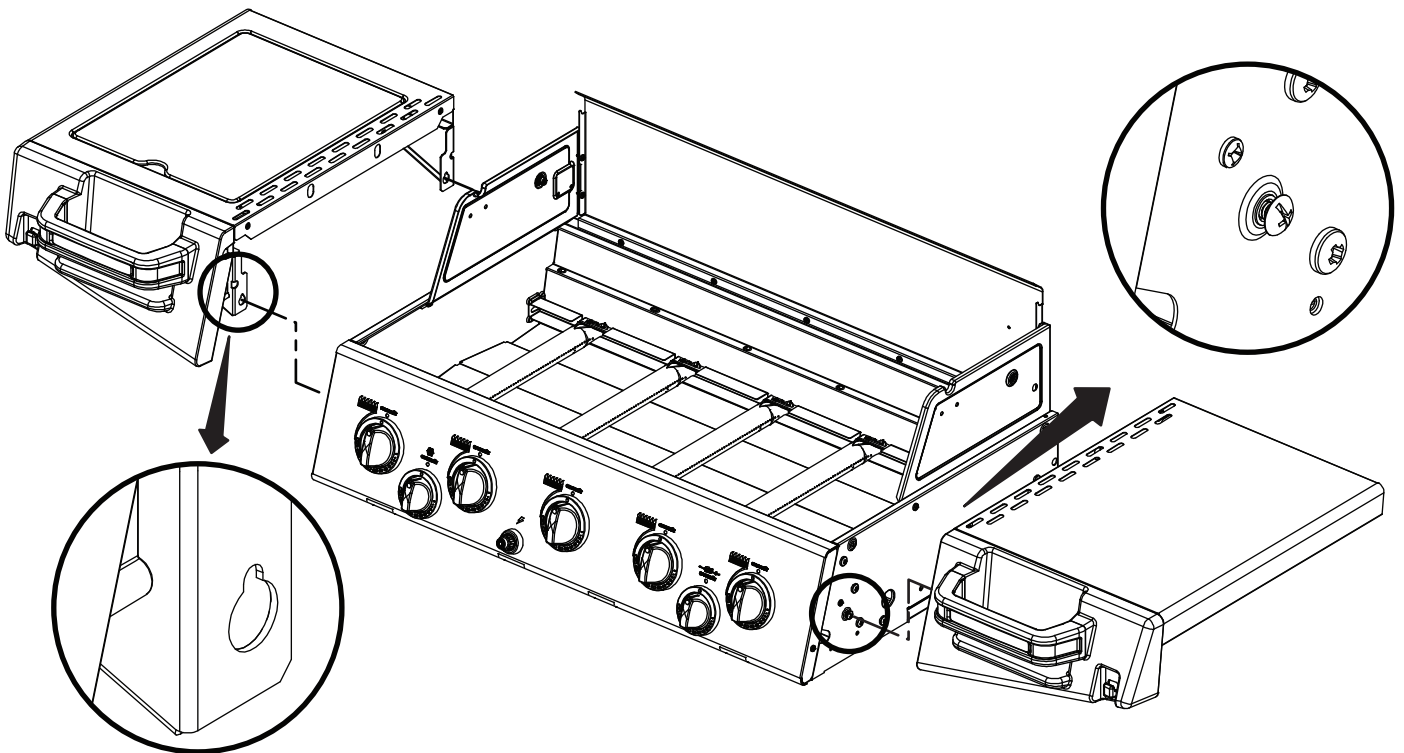


**9**

(1) 

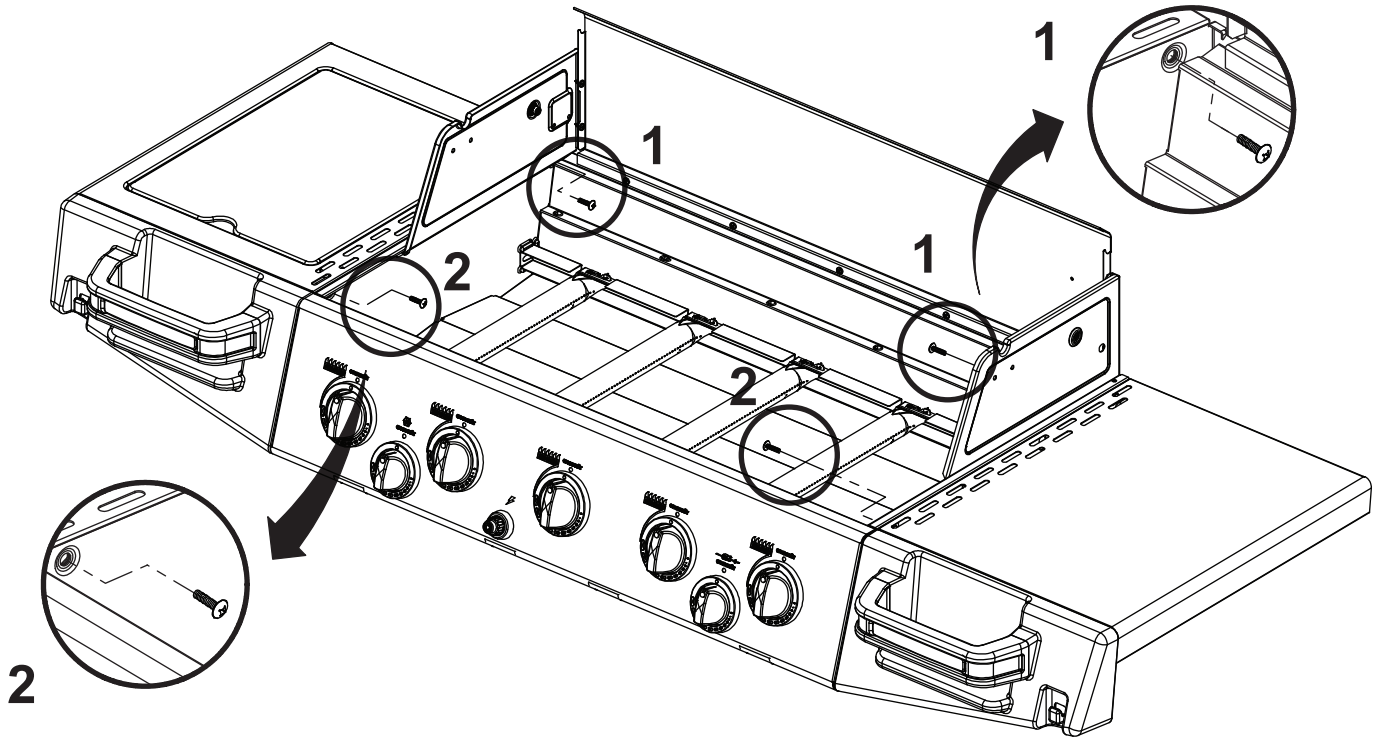
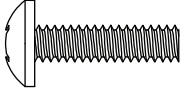


**10**

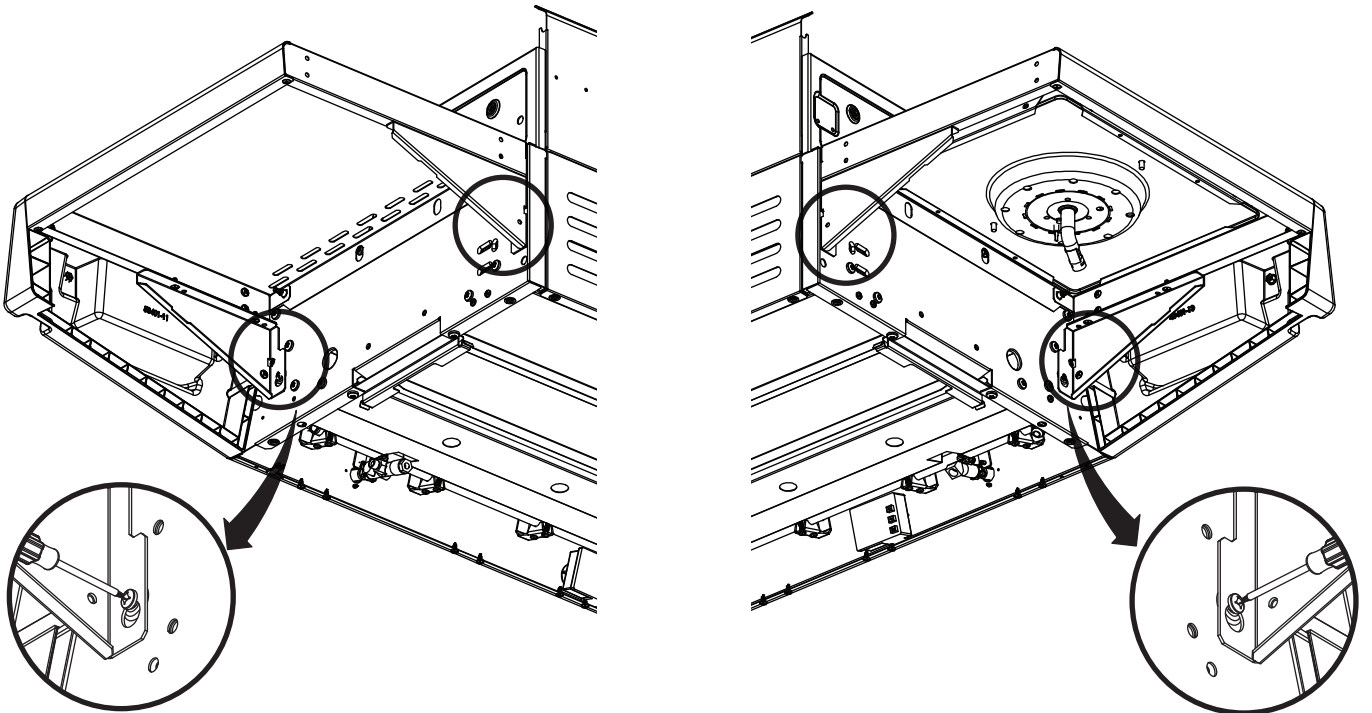


# 11

(4)

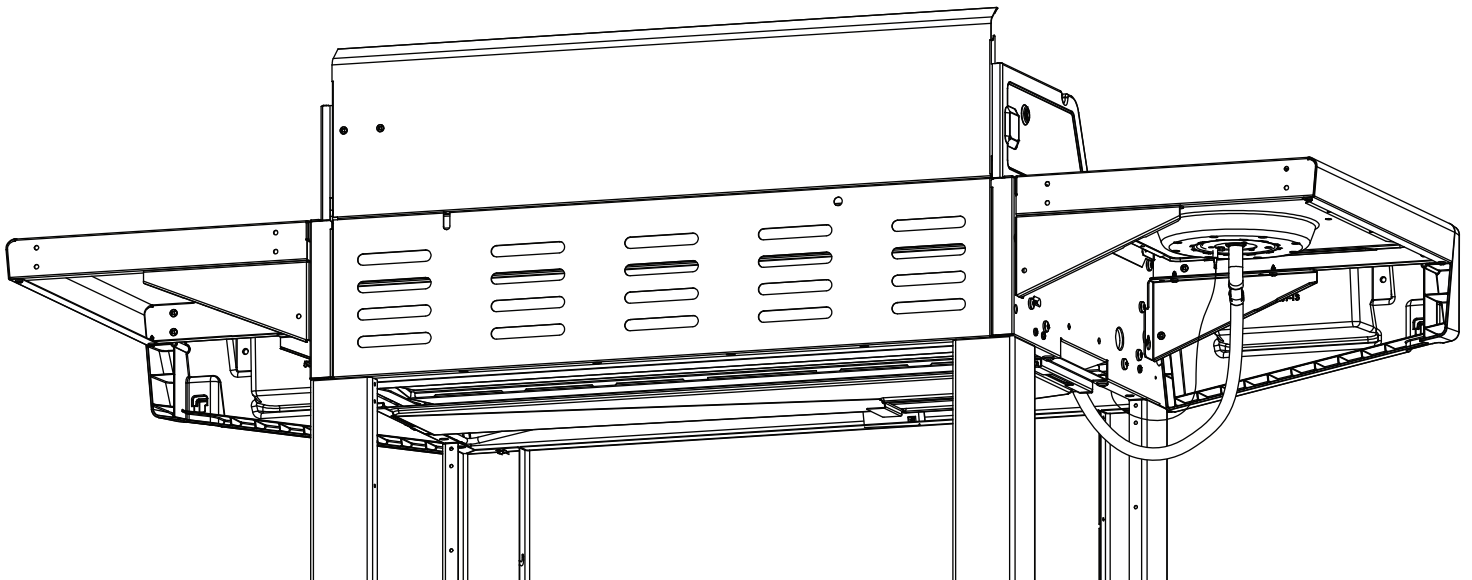
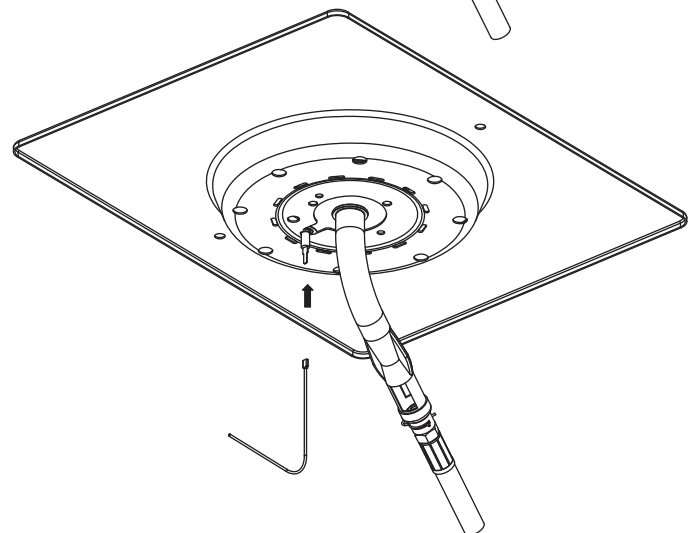
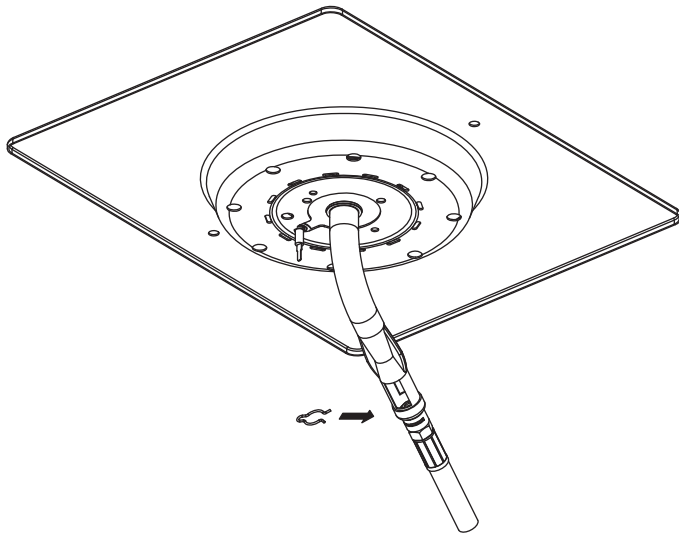
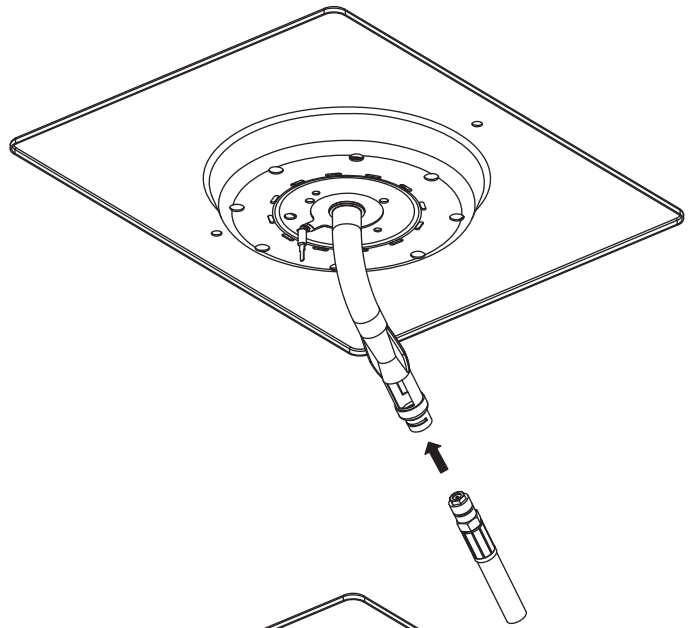
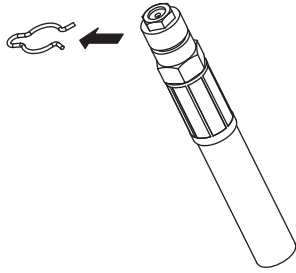
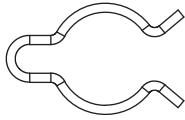


# 12



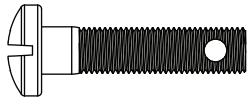
13

(1)

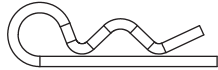


14

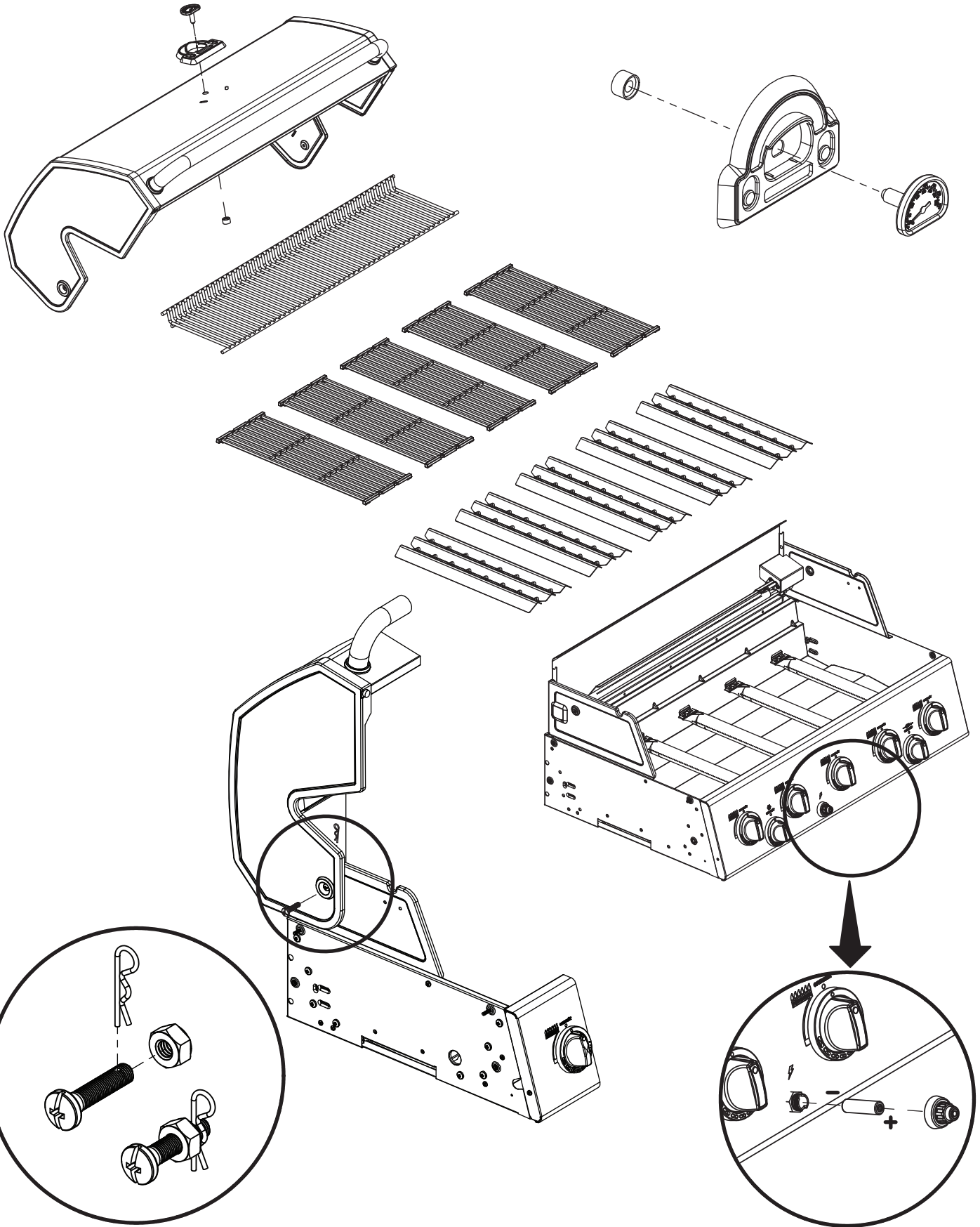
(2)



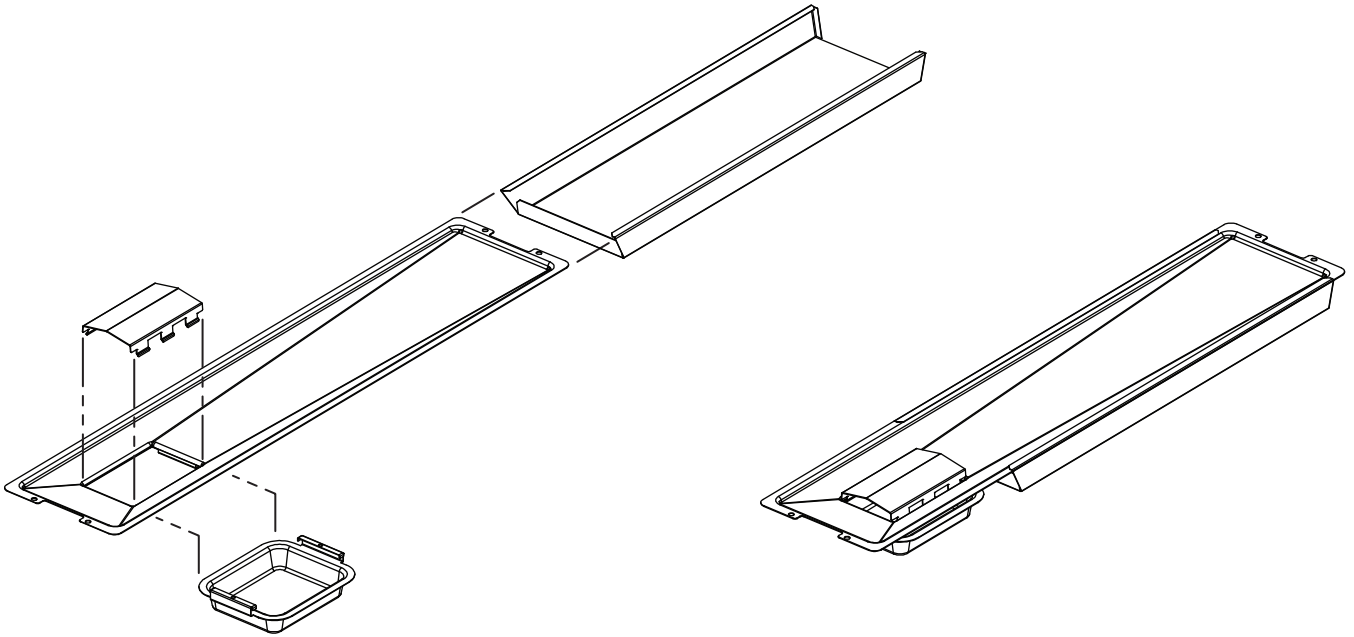
(2)



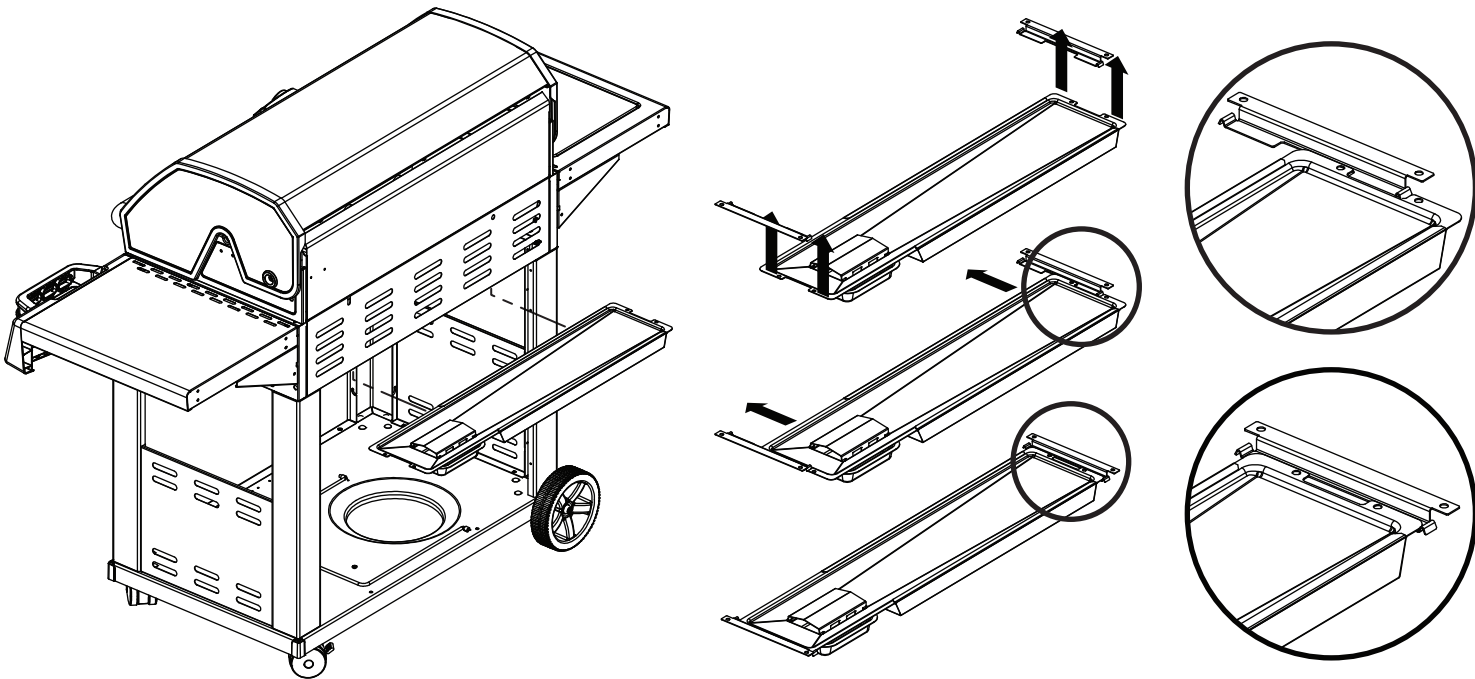
(2)



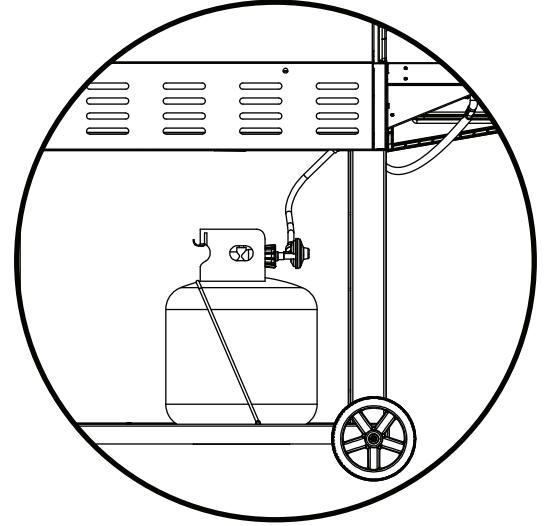
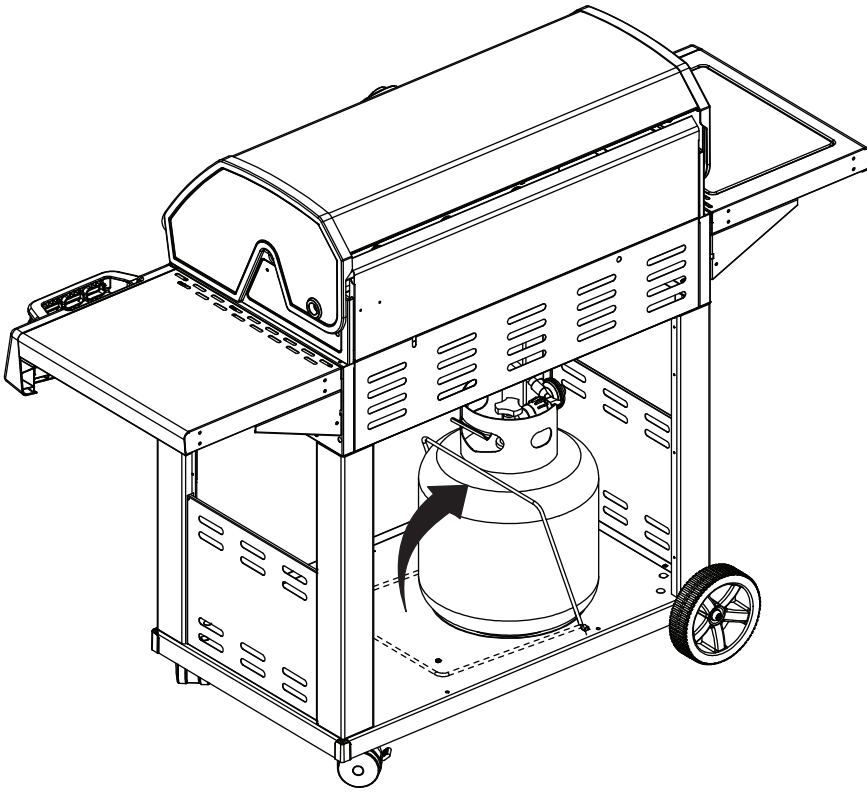
15



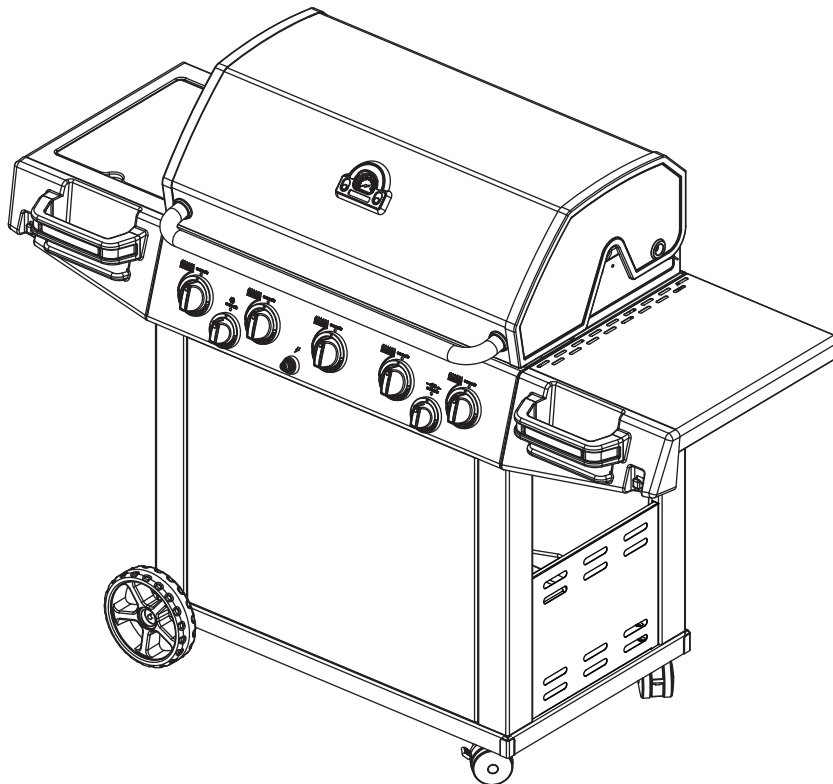
16



17



18



KEY #	ITEM #	DESCRIPTION	5020-54	5020-64	5120-64	5130-54	5130-64	6020-54	6020-64	6120-64	6130-54	6130-64	7020-54	7020-64	7120-64	7130-54	7130-64
1	56104-33	LID - SIDE PANEL - LEFT	1	1	1	1	1	1	1	1	1	1	1	1	1	1	1
2	56104-31	LID - SIDE PANEL - RIGHT	1	1	1	1	1	1	1	1	1	1	1	1	1	1	1
3	56316-304	LID - OUTER PANEL	1	1	1	1	1	1	1	1	1	1	1	1	1	1	1
	56316-301		-	-	-	-	-	-	-	-	-	-	-	-	-	-	-
4	56246-30	LID - INNER PANEL	-	-	-	-	-	-	-	-	-	-	-	-	-	-	-
	56245-30		1	1	1	1	1	1	1	1	1	1	1	1	1	1	1
5	24006-12A	HANDLE	1	1	1	1	1	1	1	1	1	1	1	1	1	1	1
	24005-12A		1	1	1	1	1	1	1	1	1	1	1	1	1	1	1
6	24009-936	HANDLE BEZEL	2	2	2	2	2	2	2	2	2	2	2	2	2	2	2
8	50089-H501	NAMEPLATE	1	1	1	1	1	1	1	1	1	1	1	1	1	1	1
	10081-S50		1	1	1	1	1	1	1	1	1	1	1	1	1	1	1
	10081-BM50		-	-	-	-	-	-	-	-	-	-	-	-	-	-	-
9	10671-5	HEAT INDICATOR	1	1	1	1	1	1	1	1	1	1	1	1	1	1	1
11	52114-131	PANEL - SIDE UPPER - LEFT	1	1	1	1	1	1	1	1	1	1	1	1	1	1	1
12	52114-111	PANEL - SIDE UPPER - RIGHT	1	1	1	1	1	1	1	1	1	1	1	1	1	1	1
13	52124-131	PANEL - SIDE LOWER - LEFT	1	1	1	1	1	1	1	1	1	1	1	1	1	1	1
14	52124-111	PANEL - SIDE LOWER - RIGHT	1	1	1	1	1	1	1	1	1	1	1	1	1	1	1
15	52206-111	PANEL - FRONT INNER	1	1	1	1	1	1	1	1	1	1	1	1	1	1	1
	52205-111		1	1	1	1	1	1	1	1	1	1	1	1	1	1	1
16	52206-121	PANEL - INNER REAR	1	1	1	1	1	1	1	1	1	1	1	1	1	1	1
	52205-121		1	1	1	1	1	1	1	1	1	1	1	1	1	1	1
17	27246-901	GREASE SHIELD	-	-	-	-	-	-	-	-	-	-	-	-	-	-	-
	27245-901		1	1	1	1	1	1	1	1	1	1	1	1	1	1	1
18	52046-91	HEAT SHIELD - FRONT	1	1	1	1	1	1	1	1	1	1	1	1	1	1	1
	52045-91		1	1	1	1	1	1	1	1	1	1	1	1	1	1	1
19	52046-92	HEAT SHIELD - REAR	1	1	1	1	1	1	1	1	1	1	1	1	1	1	1
	52045-92		1	1	1	1	1	1	1	1	1	1	1	1	1	1	1
20	57236-024	BURNER - SUPPORT	-	-	-	-	-	-	-	-	-	-	-	-	-	-	-
	57235-024		1	1	1	1	1	1	1	1	1	1	1	1	1	1	1
21	S21232	PUZZEL CLIP	4	4	4	5	4	4	4	4	5	5	4	4	4	5	5
22	52306-121	PANEL - REAR	1	1	1	1	1	1	1	1	1	1	1	1	1	1	1
	52305-121		1	1	1	1	1	1	1	1	1	1	1	1	1	1	1
23	52316-151	PANEL - HOOD	-	-	-	-	-	-	-	-	-	-	-	-	-	-	-
	52315-151		1	1	1	1	1	1	1	1	1	1	1	1	1	1	1
25	52304-144	BURNER - MAIN	4	4	4	5	4	4	4	4	5	5	4	4	4	5	5
26	52226-014	COLLECTOR BOX - FRONT LOWER	1	1	1	1	1	1	1	1	1	1	1	1	1	1	1
	52225-014		1	1	1	1	1	1	1	1	1	1	1	1	1	1	1
27	52216-014	COLLECTOR BOX - FRONT UPPER	-	-	-	-	-	-	-	-	-	-	-	-	-	-	-
	52215-014		1	1	1	1	1	1	1	1	1	1	1	1	1	1	1
28	52016-134	CONTROL COVER	-	-	-	-	-	-	-	-	-	-	-	-	-	-	-
	52015-134		1	1	1	1	1	1	1	1	1	1	1	1	1	1	1
29	29006-034	CONTROL ASSEMBLY	-	-	-	-	-	-	-	-	-	-	-	-	-	-	-
	29005-034		1	1	1	1	1	1	1	1	1	1	1	1	1	1	1
	29006-014		-	-	-	-	-	-	-	-	-	-	-	-	-	-	-
	29005-014		1	1	1	1	1	1	1	1	1	1	1	1	1	1	1
30	S13470-091	HOSE - SIDE BURNER	-	-	-	-	-	-	-	-	-	-	-	-	-	-	-
31	10114-20	HOSE & REGULATOR	1	1	1	1	1	1	1	1	1	1	1	1	1	1	1
38	22002-288	CONTROL BEZEL	4	4	4	5	4	4	4	4	5	5	4	4	4	5	5
39	22001-168	CONTROL BEZEL	1	1	1	1	1	1	1	1	1	1	1	1	1	1	1
40	10472-437	CONTROL KNOB	4	4	4	5	4	4	4	4	5	5	4	4	4	5	5
41	50479-168	CONTROL KNOB	1	1	1	1	1	1	1	1	1	1	1	1	1	1	1
42	10342-248	ELECTRONIC IGNITOR	-	-	-	-	-	-	-	-	-	-	-	-	-	-	-
	10342-246		1	1	1	1	1	1	1	1	1	1	1	1	1	1	1
	10342-244		1	1	1	1	1	1	1	1	1	1	1	1	1	1	1
43	10342-E12	ELECTRODE	2	2	2	3	2	2	2	2	3	3	2	2	2	3	3

KEY #	ITEM #	DESCRIPTION	5020-54	5020-64	5120-64	5130-54	5130-64	6020-54	6020-64	6120-64	6130-54	6130-64	7020-54	7020-64	7120-64	7130-54	7130-64
44	52209-401	FLAV-R-WAVE®	4	4	4	5	5	4	4	4	4	4	4	4	4	5	5
45	52007-181	GRID - PORCELAIN	4	4	4	5	5	4	4	4	4	4	4	4	4	5	5
46	52006-991	GRID - WARMING RACK	1	1	1	1	1	1	1	1	1	1	1	1	1	1	1
47	27066-901	GREASE TRAY	-	-	-	1	1	-	-	-	1	1	-	-	1	1	-
48	52049-104	GREASE TRAY - BRACKET	2	2	2	2	2	2	2	2	2	2	2	2	2	2	2
49	22009-901	GREASE PAN	1	1	1	1	1	1	1	1	1	1	1	1	1	1	1
50	52056-91	GREASE TRAY HEAT SHIELD	-	-	-	1	1	-	-	-	1	1	-	-	1	1	-
51	52049-91	GREASE PAN HEAT SHIELD	1	1	1	1	1	1	1	1	1	1	1	1	1	1	1
65	51727-271	CABINET - LOWER BASE	-	-	-	1	1	-	-	-	1	1	-	-	1	1	-
66	51724-271	LEG	1	1	1	1	1	1	1	1	1	1	1	1	1	1	1
67	51306-911	CABINET - FRONT PANEL	4	4	4	4	4	4	4	4	4	4	4	4	4	4	4
68	51305-911	LE CABINET PANNEAU FRONTAL	-	-	-	1	1	-	-	-	1	1	-	-	1	1	-
68	21299-19	WIRE TANK RETAINER	1	1	1	1	1	1	1	1	1	1	1	1	1	1	1
69	21299-13	WIRE FIXING	2	2	2	2	2	2	2	2	2	2	2	2	2	2	2
70	00400251	PRESS NUT	2	2	2	2	2	2	2	2	2	2	2	2	2	2	2
71	51894-19	AXLE	1	1	1	1	1	1	1	1	1	1	1	1	1	1	1
72	51000-10	WHEEL	2	2	2	2	2	2	2	2	2	2	2	2	2	2	2
73	51339-401	CASTER BRACKET	4	4	4	4	4	4	4	4	4	4	4	4	4	4	4
74	10892-23	CASTER	2	2	2	2	2	2	2	2	2	2	2	2	2	2	2
75	51044-90	HALF SIDE PANEL	2	2	2	2	2	2	2	2	2	2	2	2	2	2	2
80	53101-611	SIDE SHELF	1	1	1	1	1	1	1	1	1	1	1	1	1	1	1
81	23030-611	SIDE SHELF - BRACKET RIGHT	2	2	2	2	2	2	2	2	2	2	2	2	2	2	2
82	23030-631	SIDE SHELF - BRACKET LEFT	2	2	2	2	2	2	2	2	2	2	2	2	2	2	2
83	53401-118	SIDE SHELF - FASCIA RIGHT	1	1	1	1	1	1	1	1	1	1	1	1	1	1	1
84	53101-651	SIDE SHELF - SIDE BURNER	1	1	1	1	1	1	1	1	1	1	1	1	1	1	1
85	53401-138	SIDE SHELF - FASCIA LEFT	1	1	1	1	1	1	1	1	1	1	1	1	1	1	1
86	10395-R51C	SIDE BURNER	1	1	1	1	1	1	1	1	1	1	1	1	1	1	1
87	23000-271	SIDE BURNER - BODY	1	1	1	1	1	1	1	1	1	1	1	1	1	1	1
88	23000-251	SIDE BURNER - COVER	1	1	1	1	1	1	1	1	1	1	1	1	1	1	1
89	53139-98	SIDE BURNER GRID	1	1	1	1	1	1	1	1	1	1	1	1	1	1	1
90	21475-13	DOOR HANDLE	2	2	2	2	2	2	2	2	2	2	2	2	2	2	2
91	20409-934	DOOR HANDLE INSERT	2	2	2	2	2	2	2	2	2	2	2	2	2	2	2
92	10342-T18	SIDE BURNER ELECTRODE	-	1	1	1	1	-	1	1	1	1	-	1	1	1	1
139	S21136	SCREW - #8-32 X 3/8	14	14	14	14	14	14	14	14	14	14	14	14	14	14	14
140	S21125	SCREW - #8 X 3/8	38	38	38	38	38	38	38	38	38	38	38	38	38	38	38
142	S21124	SCREW - #8 X 1/2	4	5	5	5	6	4	5	5	5	5	4	5	5	5	6
143	Y-12655	BOLT - 1/4-20 X 3/8	26	26	26	26	26	26	26	26	26	26	26	26	26	26	26
145	10240-23	HINGE PIN	2	2	2	2	2	2	2	2	2	2	2	2	2	2	2
146	S21233	HINGE PIN - CLIP	2	2	2	2	2	2	2	2	2	2	2	2	2	2	2
147	Y-11231	LID BUMPER	4	4	4	4	4	4	4	4	4	4	4	4	4	4	4
156	Y-11793	NUT - 1/4-20	42	42	42	42	42	42	42	42	42	42	42	42	42	42	42
158	Y-12846	SCREW - SHOULDER #8 X 1/2	-	2	2	2	2	-	2	2	2	2	-	2	2	2	2
160	Y-23304	BOLT - #10-24	24	24	24	24	24	24	24	24	24	24	24	24	24	24	24
161	Y-23307	NUT - #10-24	2	2	2	2	2	2	2	2	2	2	2	2	2	2	2
175	Y-11894	BOLT - 1/4-20 X 1-5/8	16	16	16	16	16	16	16	16	16	16	16	16	16	16	16
180	S21084	SCREW #14 X 5/8	4	4	4	4	4	4	4	4	4	4	4	4	4	4	4
181	Y-12860	BOLT - 1/4-20 X 1	6	6	6	6	6	6	6	6	6	6	6	6	6	6	6

