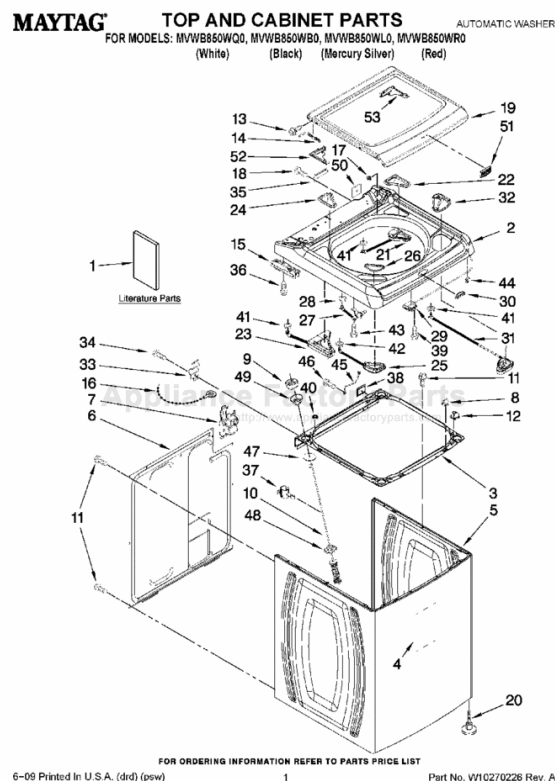


This Owner's Manual is provided and hosted by [Appliance Factory Parts](#).



# MAYTAG MVWB850WL0 Owner's Manual

[Shop genuine replacement parts for MAYTAG  
MVWB850WL0](#)



[Find Your MAYTAG Washer Parts - Select From 1759 Models](#)

----- Manual continues below part list -----

## Available Replacement Parts for MAYTAG MVWB850WL0

<a href="#">W10135699</a>	CLEANER AW
<a href="#">8212641RP</a>	HOSE-FILL AW
<a href="#">WP8182767</a>	HOSE AW AFTERMARKET
<a href="#">72017</a>	TUCHUP AW
<a href="#">WP353244</a>	HOSE AW
<a href="#">350930</a>	SPRAY AW
<a href="#">285448A</a>	WASHER AW
<a href="#">285320</a>	BREAK-SPHN AW
<a href="#">WP285655</a>	CLAMP AW

# WASHER INSTALLATION INSTRUCTIONS INSTRUCTIONS POUR L'INSTALLATION DE LA LAVEUSE

## Table of Contents/Table des matieres

<b>WASHER SAFETY</b> .....	<b>2</b>	<b>SÉCURITÉ DE LA LAVEUSE</b> .....	<b>10</b>
<b>INSTALLATION REQUIREMENTS</b> .....	<b>3</b>	<b>EXIGENCES D'INSTALLATION</b> .....	<b>11</b>
Tools and Parts .....	3	Outillage et pièces.....	11
Location Requirements .....	4	Exigences d'emplacement.....	12
Drain System .....	4	Système de vidange.....	12
Electrical Requirements .....	5	Spécifications électriques .....	13
<b>INSTALLATION INSTRUCTIONS</b> .....	<b>6</b>	<b>INSTRUCTIONS D'INSTALLATION</b> .....	<b>14</b>
Before You Start.....	6	Avant de commencer .....	14
Remove Shipping Base and Packing Ring.....	6	Retrait de la base d'expédition et de l'anneau d'emballage .....	14
Connect Drain Hose.....	6	Raccordement du tuyau de vidange.....	14
Connect the Inlet Hoses.....	7	Raccordement des tuyaux d'alimentation .....	15
Secure the Drain Hose .....	8	Immobilisation du tuyau de vidange .....	16
Level the Washer .....	8	Réglage de l'aplomb de la laveuse .....	16
Complete Installation .....	9	Achever l'installation .....	17

# WASHER SAFETY

## Your safety and the safety of others are very important.

We have provided many important safety messages in this manual and on your appliance. Always read and obey all safety messages.



This is the safety alert symbol.

This symbol alerts you to potential hazards that can kill or hurt you and others.

All safety messages will follow the safety alert symbol and either the word "DANGER" or "WARNING." These words mean:

**⚠ DANGER**

You can be killed or seriously injured if you don't immediately follow instructions.

**⚠ WARNING**

You can be killed or seriously injured if you don't follow instructions.

All safety messages will tell you what the potential hazard is, tell you how to reduce the chance of injury, and tell you what can happen if the instructions are not followed.

## IMPORTANT SAFETY INSTRUCTIONS

**WARNING:** To reduce the risk of fire, electric shock, or injury to persons when using the washer, follow basic precautions, including the following:

- Read all instructions before using the washer.
- Do not wash articles that have been previously cleaned in, washed in, soaked in, or spotted with gasoline, dry-cleaning solvents, other flammable, or explosive substances as they give off vapors that could ignite or explode.
- Do not add gasoline, dry-cleaning solvents, or other flammable, or explosive substances to the wash water. These substances give off vapors that could ignite or explode.
- Under certain conditions, hydrogen gas may be produced in a hot water system that has not been used for 2 weeks or more. **HYDROGEN GAS IS EXPLOSIVE.** If the hot water system has not been used for such a period, before using the washing machine, turn on all hot water faucets and let the water flow from each for several minutes. This will release any accumulated hydrogen gas. As the gas is flammable, do not smoke or use an open flame during this time.
- Do not allow children to play on or in the washer. Close supervision of children is necessary when the washer is used near children.
- Before the washer is removed from service or discarded, remove the door or lid.
- Do not reach into the washer if the drum, tub or agitator is moving.
- Do not install or store the washer where it will be exposed to the weather.
- Do not tamper with controls.
- Do not repair or replace any part of the washer or attempt any servicing unless specifically recommended in this manual or in published user-repair instructions that you understand and have the skills to carry out.
- See "Electrical Requirements" for grounding instructions.

**SAVE THESE INSTRUCTIONS**

# INSTALLATION REQUIREMENTS

## Tools and Parts

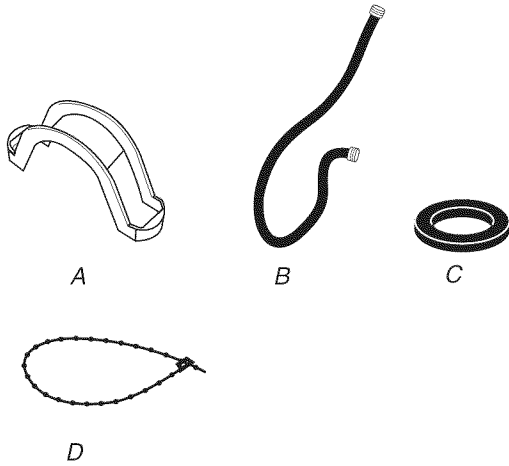
Gather the required tools and parts before starting installation. The parts supplied are in the washer basket.

### Tools needed for connecting the drain hose and water inlet hoses:

- Pliers that open to 1 $\frac{9}{16}$ " (39.5 mm)
- Flashlight (optional)

**NOTE:** Replace inlet hoses after 5 years of use to reduce the risk of hose failure. Record hose installation or replacement dates for future reference.

### Parts supplied:



- A. Drain hose form
- B. Water inlet hoses (2)
- C. Flat water inlet hose washers (4)
- D. Beaded tie strap

### Tools needed for securing the drain hose and leveling the washer:

- Adjustable or open end wrench  $\frac{9}{16}$ " (14 mm)
- Wood block
- Ruler or measuring tape
- Level

### Alternate Parts

Your installation may require additional parts. If you are interested in purchasing one of the items listed here, call the toll-free number on the cover or in the "Assistance or Service" section.

If You Have:	You Will Need to Buy:
Laundry tub or standpipe taller than 96" (2.4 m)	Sump pump system (if not already available)
1" (25 mm) diameter standpipe	2" (50 mm) diameter to 1" (25 mm) diameter standpipe adapter, Part Number 3363920 and connector kit Part Number 285835
Overhead sewer	Standard 20 gal. (76 L) 39" (990 mm) tall drain tub or utility sink, sump pump and connectors (available from local plumbing suppliers)
Floor drain	Siphon break, Part Number 285834; additional drain hose, Part Number 8318155 and connector kit, Part Number 285835
Water faucets beyond reach of fill hoses	2 longer water fill hoses: 6 ft (1.8 m) Part Number 76314, 10 ft (3.0 m) Part Number 350008
Lint clogged drain	Drain protector, Part Number 367031

## Location Requirements

Selecting the proper location for your washer improves performance and minimizes noise and possible washer “walk.” Your washer can be installed in a basement, laundry room, closet, or recessed area. See “Drain System.”

**IMPORTANT:** Do not install or store the washer where it will be exposed to the weather.

Proper installation is your responsibility.

### You will need:

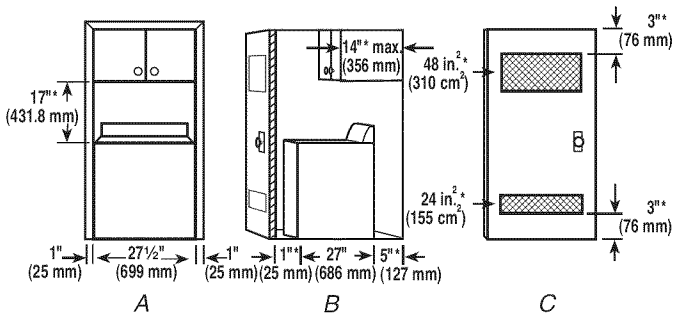
- A water heater set to deliver 120°F (49°C) water to the washer.
- A grounded electrical outlet located within 4 ft (1.2 m) of where the power cord is attached to the back of the washer. See “Electrical Requirements.”
- Hot and cold water faucets located within 3 ft (900 mm) of the hot and cold water fill valves, and water pressure of 20-100 psi (138-690 kPa) for best performance.
- A level floor with a maximum slope of 1" (25 mm) under entire washer. Installing the washer on carpeting is not recommended.
- A sturdy floor to support the washer weight (washer, water, and load) of 315 lbs (143 kgs).

Do not store or operate your washer in temperatures at or below 32°F (0°C). Some water can remain in the washer and can cause damage in low temperatures. See “Washer Care” for information on winterizing.

### Installation spacing for recessed area and closet installations

The following spacing dimensions are recommended for this washer. This washer has been tested for installation with spacing of 0" (0 cm) clearance on the sides. Recommended spacing should be considered for the following reasons:

- Additional spacing should be considered for ease of installation and servicing.
- Additional spacing should be considered on all sides of the washer to reduce noise transfer.
- For closet installation with a door, minimum ventilation openings in the top and bottom of the door are required. Louvered doors with equivalent ventilation openings are acceptable.
- Companion appliance spacing should also be considered.



A. Front view  
B. Side view  
C. Closet door with vents

\*Required spacing

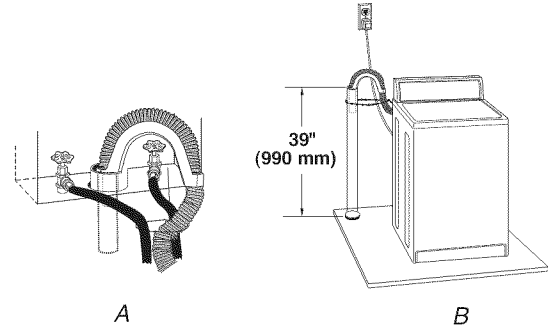
## Drain System

The washer can be installed using the standpipe drain system (floor or wall), the laundry tub drain system, or the floor drain system. Select the drain hose installation method you need. See “Tools and Parts.”

### Standpipe drain system—wall or floor (views A & B)

The standpipe drain requires a minimum diameter standpipe of 2" (51 mm). The minimum carry-away capacity can be no less than 17 gal. (64 L) per minute. A 2" (51 mm) diameter to 1" (25 mm) diameter standpipe adapter kit is available. See “Tools and Parts.”

The top of the standpipe must be at least 39" (990 mm) high and no higher than 96" (2440 mm) from the bottom of the washer.



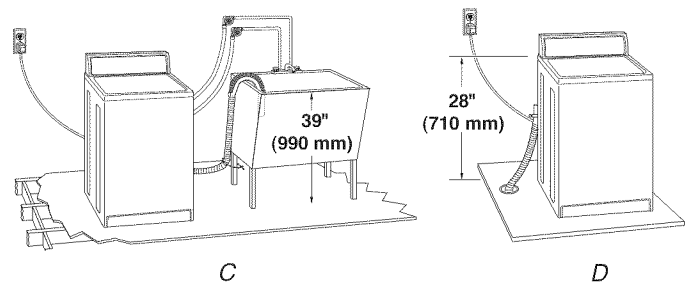
### Laundry tub drain system (view C)

The laundry tub needs a minimum 20 gal. (76 L) capacity. The top of the laundry tub must be at least 39" (990 mm) above the floor and no higher than 96" (2440 mm) from the bottom of the washer.

### Floor drain system (view D)

The floor drain system requires a siphon break that may be purchased separately. See “Tools and Parts.”

The siphon break must be a minimum of 28" (710 mm) from the bottom of the washer. Additional hoses might be needed.



## Electrical Requirements

### **⚠ WARNING**



#### **Electrical Shock Hazard**

**Plug into a grounded 3 prong outlet.**

**Do not remove ground prong.**

**Do not use an adapter.**

**Do not use an extension cord.**

**Failure to follow these instructions can result in death, fire, or electrical shock.**

- A 120 volt, 60 Hz., AC only, 15- or 20-amp, fused electrical supply is required. A time-delay fuse or circuit breaker is recommended. It is recommended that a separate circuit serving only this appliance be provided.
- This washer is equipped with a power supply cord having a 3 prong grounding plug.
- To minimize possible shock hazard, the cord must be plugged into a mating, grounded 3-prong outlet, grounded in accordance with local codes and ordinances. If a mating outlet is not available, it is the personal responsibility and obligation of the customer to have the properly grounded outlet installed by a qualified electrician.
- If codes permit and a separate ground wire is used, it is recommended that a qualified electrician determine that the ground path is adequate.

- Do not ground to a gas pipe.
- Check with a qualified electrician if you are not sure the washer is properly grounded.
- Do not have a fuse in the neutral or ground circuit.

### **GROUNDING INSTRUCTIONS**

#### **For a grounded, cord-connected washer:**

This washer must be grounded. In the event of a malfunction or breakdown, grounding will reduce the risk of electrical shock by providing a path of least resistance for electric current. This washer is equipped with a cord having an equipment-grounding conductor and a grounding plug. The plug must be plugged into an appropriate outlet that is properly installed and grounded in accordance with all local codes and ordinances.

**WARNING:** Improper connection of the equipment-grounding conductor can result in a risk of electric shock. Check with a qualified electrician or serviceman if you are in doubt as to whether the appliance is properly grounded.

Do not modify the plug provided with the appliance – if it will not fit the outlet, have a proper outlet installed by a qualified electrician.

#### **For a permanently connected washer:**

This washer must be connected to a grounded metal, permanent wiring system, or an equipment grounding conductor must be run with the circuit conductors and connected to the equipment-grounding terminal or lead on the appliance.

# INSTALLATION INSTRUCTIONS

## Before You Start

### **⚠ WARNING**

#### **Excessive Weight Hazard**

**Use two or more people to move and install washer.  
Failure to do so can result in back or other injury.**

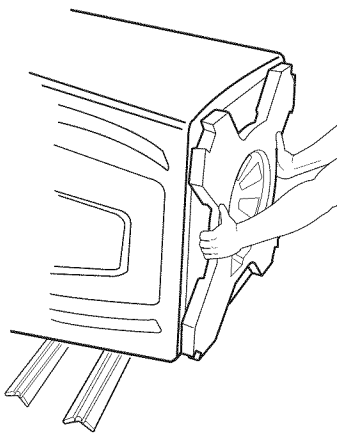
**NOTE:** To avoid floor damage during installation, set the washer onto cardboard before moving across floor.

#### **IMPORTANT:**

- Be sure the foam shipping base has been removed from the bottom of the washer as directed in the Unpacking Instructions.
- If foam shipping base has not been removed, be sure lid is secured with tape before laying washer on its back.
- Removing the foam shipping base is necessary for proper operation.

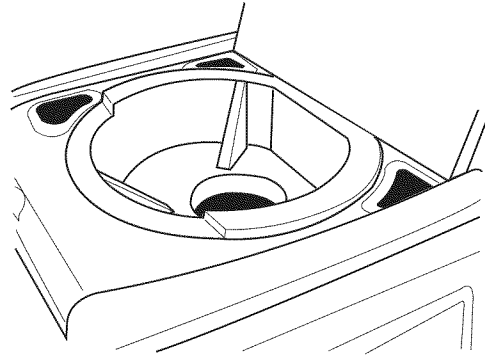
## Remove Shipping Base and Packing Ring

1. Place cardboard supports from shipping carton on floor behind washer for support.
2. Secure the lid with tape.
3. Using 2 or more people, tip the washer onto its back and place on cardboard supports.
4. Remove foam shipping base.



5. Set washer upright.

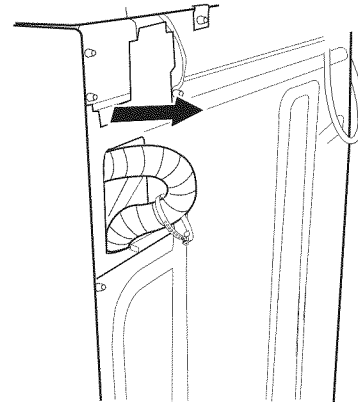
6. Remove tape from lid. Open lid and remove foam packing ring from washer tub. Keep foam packing ring in case you need to move the washer in the future.



## Connect Drain Hose

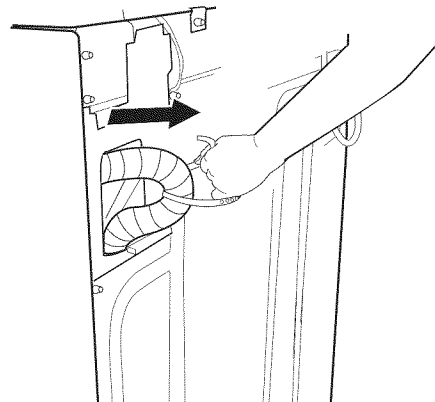
Proper connection of the drain hose protects your floors from damage due to water leakage. Read and follow these instructions.

The drain hose is connected to your washer and is stored inside the washer cabinet.



## Remove drain hose from washer cabinet

Pull the corrugated drain hose out of the washer by first grabbing the pull tie. Continue to pull the hose until the end emerges. Do not force excess drain hose back into the rear of the washer.

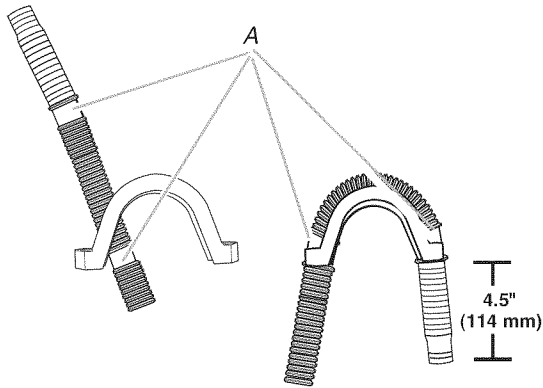


---

## Laundry tub drain or standpipe drain

---

### Connecting the drain hose form to the corrugated drain hose



A. Drain hose reliefs

1. Feed end of drain hose into one end of form. Place end of drain hose form into the drain hose relief.
2. Bend the hose over the top of the form and feed into the other end of the form. Attach the other end of the form into the other drain hose relief. The hose must extend 4½" (114 mm) beyond the form.

### To keep drain water from going back into the washer:

- Do not force excess drain hose into standpipe. Hose should be secure but loose enough to provide a gap for air.
- Do not lay excess hose on the bottom of the laundry tub.

---

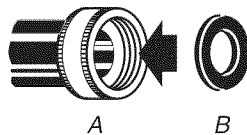
## Floor drain

---

Do not install the drain hose form on to the corrugated drain hose. You may need additional parts. See Floor drain under "Tools and Parts."

### Connect the Inlet Hoses

1. Insert new flat washers (supplied) into each end of the inlet hoses. Firmly seat the washers in the couplings.



A. Coupling  
B. Washer

---

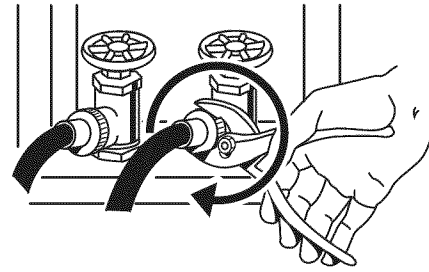
### Connect the inlet hoses to the water faucets

---

Make sure the washer basket is empty.

2. Attach the hose labeled hot to the hot water faucet. Screw on coupling by hand until it is seated on the washer.
3. Attach the hose labeled cold to the cold water faucet. Screw on coupling by hand until it is seated on the washer.

4. Using pliers, tighten the couplings with an additional two-thirds turn.

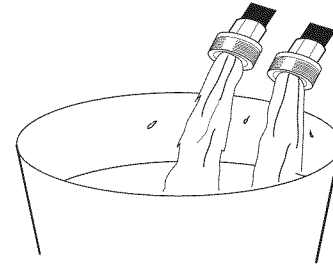


Tighten the couplings with an additional two-thirds turn.

**NOTE:** Do not overtighten or use tape or sealants on the valve. Damage to the valves can result.

### Clear the water lines

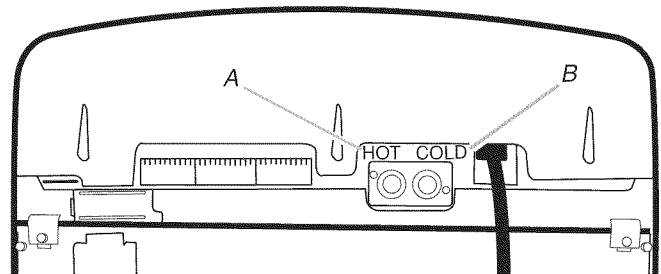
- Run water through both faucets and inlet hoses, into a laundry tub, drainpipe or bucket, to get rid of particles in the water lines that might clog the inlet valve screens.
- Check the temperature of the water to make sure that the hot water hose is connected to the hot water faucet and that the cold water hose is connected to the cold water faucet.



---

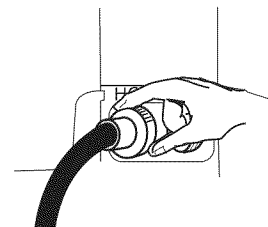
### Connect the inlet hoses to the washer

---



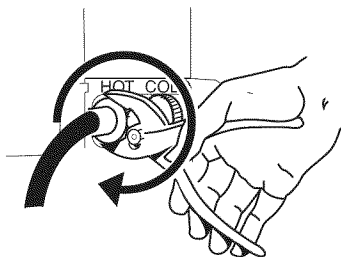
A. Hot water inlet valve  
B. Cold water inlet valve

1. Attach the hot water hose to the inlet valve labeled hot.
2. Attaching one hose coupling first makes it easier to tighten the connection with pliers.
3. Screw on coupling by hand until it is seated on the washer.



- Using pliers, tighten the coupling with an additional two-thirds turn.

**NOTE:** Do not overtighten or use tape or sealants on the valve. Damage to the valves can result.



- Attach the cold water hose to the inlet valve labeled cold.
- Screw on coupling by hand until it is seated on the washer.
- Using pliers, tighten the coupling with an additional two-thirds turn.

**NOTE:** Do not overtighten or use tape or sealants on the valve. Damage to the valves can result.

### Check for leaks

- Turn on the water faucets and check for leaks. A small amount of water might enter the washer. You will drain this in a later step.

**NOTE:** Replace inlet hoses after 5 years of use to reduce the risk of hose failure. Record hose installation or replacement dates for future reference.

- If you connect only one water hose, you must cap off the remaining water inlet port.
- Periodically inspect and replace hoses if bulges, kinks, cuts, wear, or leaks are found.

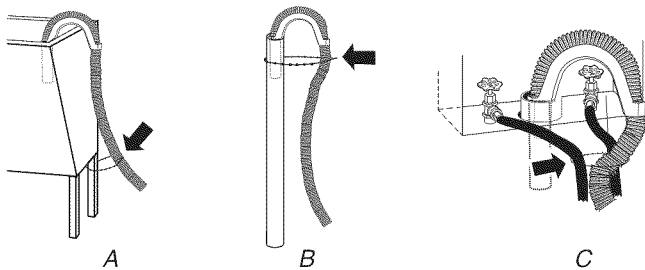
### Secure the Drain Hose

- Drrape the power cord over the console.
- Remove any cardboard used to move washer.



*Beaded tie strap*

- Fasten the drain hose to the laundry tub leg or drain standpipe with the beaded tie strap. See view A or B.



If the washer faucets and the drain standpipe are recessed, put the formed end of the drain hose into the standpipe. Tightly wrap the tie strap around the water inlet hoses and the drain hose. See view C.

### Level the Washer

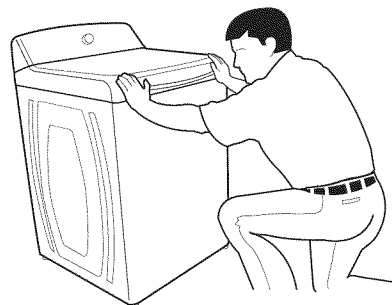
## ⚠ WARNING

### Excessive Weight Hazard

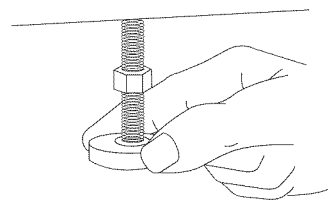
Use two or more people to move and install washer.  
Failure to do so can result in back or other injury.

Properly level your washer to avoid excessive noise and vibration.

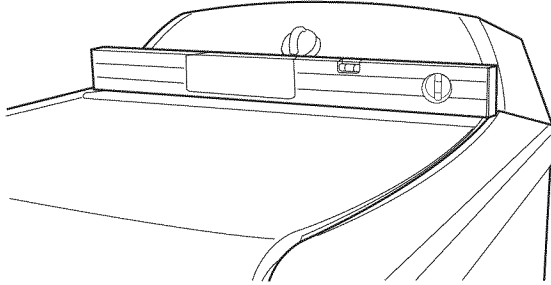
- Move the washer to its final location.
- Rock the washer back and forth to check whether all four feet are stable and in firm contact with the floor. If the washer rocks, your model may be one that comes with 3 feet preset at the factory. It will be necessary to adjust the right front foot to level the machine. If all 4 feet were preset at the factory, minor adjustments may be needed to level the washer on your floor.



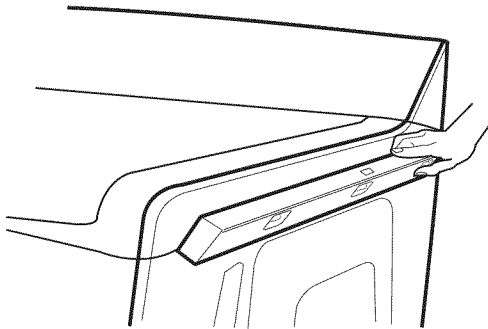
- For machines with an adjustable right front foot, lower the right front foot until it contacts the floor. Using pliers, rotate the foot up to an additional 1 ½ turns.



4. Check the levelness of the washer. First, place a level on the lid near the console. Then place the level on the side of the washer in the crease between the top of the washer and the cabinet.



Level the front.



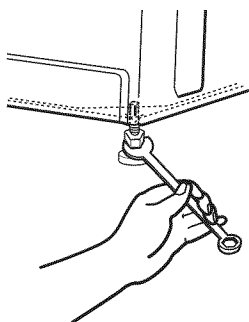
Level the side.

5. If the washer is not level, move the washer out slightly, tip back and prop up the front of the washer with a wood block. Adjust the right front foot by loosening the locknut with a 9/16" or 14 mm open-end wrench, then twisting the foot up or down as needed.

**HELPFUL TIP:** You may have to adjust the back feet to level the machine. If you are installing the machine in a tight or hard to reach area, you may have to move the machine out to reach the feet comfortably. You may wish to lock the back feet before moving the washer back into place.

6. After the machine is leveled, make sure all four feet are stable and in firm contact with the floor by gently rocking the washer front to back, side to side, and diagonally. Adjust the feet if necessary, repeating steps 4-6 as needed.
7. Use a 9/16" or 14 mm open-end wrench to turn the locknuts counterclockwise on the foot tightly against the washer cabinet.

**IMPORTANT:** If the locknuts are not tight against the washer cabinet, the washer may vibrate.



## Complete Installation

1. Check the electrical requirements. Be sure that you have the correct electrical supply and the recommended grounding method. See "Electrical Requirements."
2. Check that all parts are now installed. If there is an extra part, go back through the steps to see which step was skipped.
3. Check that you have all of your tools.
4. Keep the foam packing ring from the washer tub for future relocation of the washer. Dispose of/recycle all packaging materials.
5. Check that the water faucets are on.
6. Check for leaks around faucets and inlet hoses.

## ⚠ WARNING



### Electrical Shock Hazard

Plug into a grounded 3 prong outlet.

Do not remove ground prong.

Do not use an adapter.

Do not use an extension cord.

**Failure to follow these instructions can result in death, fire, or electrical shock.**

7. Plug into a grounded 3 prong outlet.
8. Remove any protective film or tape remaining on the washer.
9. Read "Washer Use."
10. To test and to clean your washer, measure 1/2 of the detergent manufacturer's recommended amount of High Efficiency (HE) powdered or liquid detergent for a medium-size load and pour it into the detergent dispenser. Close the lid. Press POWER. Select a normal cycle and press Start. Allow it to complete one whole cycle.

# SÉCURITÉ DE LA LAVEUSE

## Votre sécurité et celle des autres est très importante.

Nous donnons de nombreux messages de sécurité importants dans ce manuel et sur votre appareil ménager. Assurez-vous de toujours lire tous les messages de sécurité et de vous y conformer.



Voici le symbole d'alerte de sécurité.

Ce symbole d'alerte de sécurité vous signale les dangers potentiels de décès et de blessures graves à vous et à d'autres.

Tous les messages de sécurité suivront le symbole d'alerte de sécurité et le mot "DANGER" ou "AVERTISSEMENT". Ces mots signifient :

**⚠ DANGER**

Risque possible de décès ou de blessure grave si vous ne suivez pas immédiatement les instructions.

**⚠ AVERTISSEMENT**

Risque possible de décès ou de blessure grave si vous ne suivez pas les instructions.

Tous les messages de sécurité vous diront quel est le danger potentiel et vous disent comment réduire le risque de blessure et ce qui peut se produire en cas de non-respect des instructions.

## IMPORTANTES INSTRUCTIONS DE SÉCURITÉ

**AVERTISSEMENT :** Pour réduire les risques d'incendie, de choc électrique ou de blessures lors de l'utilisation de la laveuse, suivre les précautions fondamentales dont les suivantes :

- Lire toutes les instructions avant d'utiliser la laveuse.
- Ne pas laver des articles qui ont été nettoyés ou lavés avec de l'essence ou imbibés d'essence, solvants de nettoyage à sec, ou autres substances inflammables ou explosives; ces substances peuvent émettre des vapeurs susceptibles de s'enflammer ou d'exploser.
- Ne pas ajouter d'essence, solvant de nettoyage à sec ou autre produit inflammable ou explosif dans l'eau de lavage. Ces substances peuvent émettre des vapeurs susceptibles de s'enflammer ou d'exploser.
- Dans certaines conditions, de l'hydrogène gazeux peut se former dans un circuit d'eau chaude qui n'a pas été utilisé pendant 2 semaines ou plus. LE GAZ HYDROGÈNE EST EXPLOSIBLE. Si le circuit d'eau chaude n'a pas été utilisé pendant une telle période, avant d'utiliser la laveuse, ouvrir tous les robinets d'eau chaude et laisser l'eau s'écouler pendant plusieurs minutes par chaque robinet. Ceci permettra l'évacuation de l'hydrogène gazeux accumulé. Comme ce gaz est inflammable, ne pas fumer ou utiliser une flamme nue au cours de cette période.
- Ne pas laisser des enfants jouer sur ou à l'intérieur de la laveuse. Bien surveiller les enfants lorsque la laveuse est utilisée à proximité d'enfants.
- Avant de mettre la laveuse au rebut ou hors de service, enlever la porte ou le couvercle.
- Ne pas tenter d'atteindre un article à l'intérieur de la cuve de la laveuse lorsque le tambour, la cuve ou l'agitateur est en mouvement.
- Ne pas installer ou remiser cette laveuse à un endroit où elle serait exposée aux intempéries.
- Ne pas modifier les organes de commande.
- Ne pas réparer ou remplacer un composant quelconque de la laveuse, ni entreprendre une opération de service, si ce n'est spécifiquement recommandé dans ce manuel ou dans un manuel d'instructions de réparations destiné à l'utilisateur; il est alors essentiel que la personne concernée comprenne ces instructions et soit compétente pour les exécuter.
- Voir "Spécifications électriques" pour les instructions de liaison à la terre.

**CONSERVEZ CES INSTRUCTIONS**

# EXIGENCES D'INSTALLATION

## Outillage et pièces

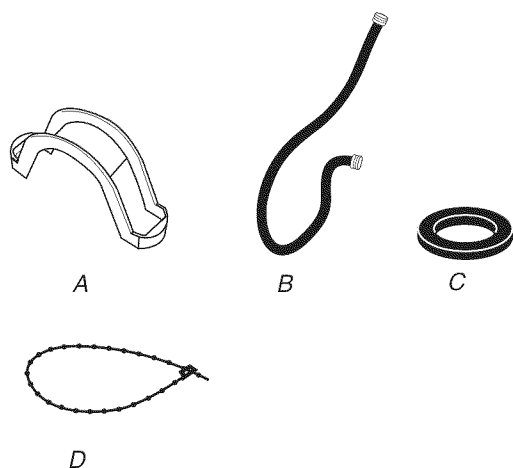
Rassembler les outils et pièces nécessaires avant de commencer l'installation. Les pièces fournies se trouvent dans le panier de la laveuse.

### Outils nécessaires au raccordement du tuyau de vidange et des tuyaux d'arrivée d'eau :

- Pince - ouverture jusqu'à 1 1/16" (39.5 mm)
- Lampe de poche (facultative)

**REMARQUE :** Remplacer les tuyaux d'arrivée d'eau après 5 ans d'utilisation pour réduire le risque de défaillance intempestive. Prendre note de la date d'installation ou de remplacement des tuyaux d'arrivée d'eau, pour référence ultérieure.

### Pièces fournies :



A. Bride de retenue pour tuyau de vidange  
 B. Tuyaux d'admission d'eau (2)  
 C. Rondelles plates pour tuyau d'arrivée d'eau (4)  
 D. Attache de fixation perlée

### Outils nécessaires à l'immobilisation du tuyau de vidange et au réglage de l'aplomb de la laveuse :

- Clé plate ou clé à molette de 9/16" (14 mm)
- Cale en bois
- Règle ou mètre ruban
- Niveau

### Autres pièces

Il se peut que l'installation nécessite des pièces supplémentaires. Pour acheter l'un des articles indiqués ici, composer le numéro sans frais indiqué sur la couverture ou à la section "Assistance ou service".

Si vous avez :	Vous devrez acheter :
Évier de buanderie ou tuyau de rejet à l'égout plus haut que 96" (24 mm)	Système de pompe de puisard (si non déjà disponible)
Tuyau de rejet à l'égout de 1" (25 mm) de diamètre	Adaptateur de 2" (50 mm) à 1" (25 mm) de diamètre pour le tuyau de rejet à l'égout, Pièce numéro 3363920 et kit de connexion, Pièce numéro 285835
Égout surélevé	Tuyau de vidange standard de 20 gal. (76 L) de 39" (990 mm) de haut ou évier de décharge, pompe de puisard et connecteurs (disponibles chez les vendeurs de matériel de plomberie locaux)
Égout au plancher	Brise-siphon, Pièce numéro 285834, tuyau de vidange supplémentaire, Pièce numéro 8318155 et kit de connexion, Pièce numéro 285835
Robinets d'eau hors d'atteinte des tuyaux d'admission	2 tuyaux d'admission d'eau plus longs : 6 pi (1,8 m) - Pièce numéro 76314, 10 pi (3 m) - Pièce numéro 350008
Évacuation obstruée par de la charpie	Protecteur de canalisation, Pièce numéro 367031

## Exigences d'emplacement

Le choix d'un emplacement approprié pour la laveuse en améliore le rendement et réduit au minimum le bruit et le "déplacement" possible de la laveuse.

La laveuse peut être installée dans un sous-sol, une salle de buanderie, un placard ou un encastrement. Voir "Système de vidange".

**IMPORTANT :** Ne pas installer ou remiser la laveuse dans un endroit où elle sera exposée aux intempéries.

C'est à l'utilisateur qu'incombe la responsabilité de réaliser une installation correcte.

### Il vous faudra :

- Un chauffe-eau pour fournir de l'eau à 120°F (49°C) à la laveuse.
- Une prise électrique reliée à la terre située à moins de 4 pi (1,2 m) de la prise du cordon électrique se trouvant à l'arrière de la laveuse. Voir "Spécifications électriques".
- Des robinets d'eau chaude et d'eau froide situés à moins de 3 pi (90 mm) des robinets d'admission d'eau chaude et d'eau froide, et une pression d'eau de 20-100 lb/po<sup>2</sup> (138-690 kPa) pour un rendement optimal.
- Un plancher de niveau ayant une pente maximale de 1" (25 mm) sous l'ensemble de la laveuse. L'installation de la laveuse sur de la moquette n'est pas recommandée.
- Un plancher robuste pour supporter la laveuse dont le poids total (laveuse, eau et charge) est de 315 lb (143 kg).

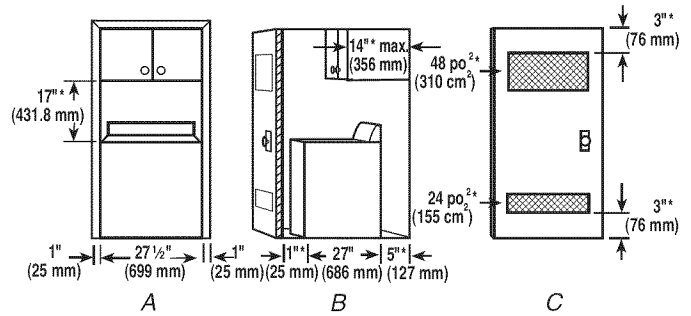
Ne pas remiser ou faire fonctionner la laveuse à des températures égales ou inférieures à 32°F (0°C). Une quantité d'eau peut demeurer dans la laveuse et causer des dommages à des températures basses. Voir "Entretien de la laveuse" pour des renseignements sur la préparation de la laveuse pour l'hiver.

### Espacement pour une installation dans un encastrement et dans un placard

On recommande les dimensions d'espacement suivantes pour cette laveuse. Cette laveuse a été testée pour une installation avec dégagement de 0" (0 mm) sur les côtés. L'espacement recommandé doit être considéré pour les raisons suivantes :

- Prévoir davantage d'espace pour faciliter l'installation et l'entretien.
- Un espace supplémentaire doit être envisagé de tous les côtés de la laveuse afin de réduire le transfert de bruit.
- En cas d'installation dans un placard avec porte, on doit prévoir des ouvertures minimums d'entrée d'air en haut et en bas de la porte. Les portes à claire-voie offrant des ouvertures équivalentes de passage de l'air sont acceptables.

- Il faut aussi prendre en compte l'espace requis entre les appareils voisins.



A. Vue de face

B. Vue latérale

C. Porte de placard avec orifices d'entrée d'air

\*Espacement requis

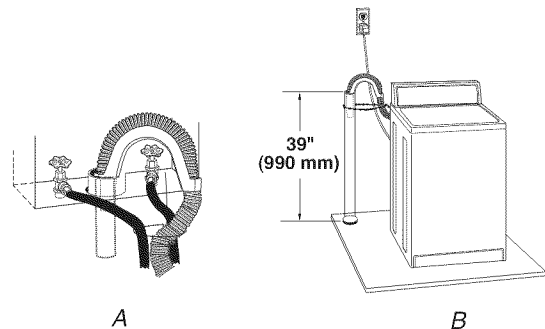
## Système de vidange

La laveuse peut être installée en utilisant le système de rejet à l'égout (au plancher ou mural), le système de vidange de l'évier de buanderie, ou le système de vidange au plancher. Sélectionner la méthode d'installation du tuyau de vidange selon les besoins. Voir "Outillage et pièces".

### Système de vidange avec tuyau de rejet à l'égout - mural ou au plancher (vues A et B)

Le système de rejet à l'égout nécessite un tuyau de diamètre minimum de 2" (50 mm). La capacité minimale d'acheminement ne doit pas être inférieure à 17 gal. (64 L) par minute. Un adaptateur de 2" (50 mm) à 1" (25 mm) de diamètre est disponible pour le tuyau de rejet à l'égout. Voir "Outillage et pièces".

Le sommet du tuyau de rejet à l'égout doit être au moins à 39" (990 mm) de hauteur et au maximum à 96" (2440 mm) de la base de la laveuse.



A

B

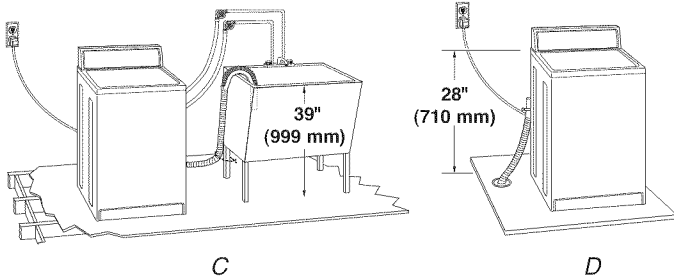
### Système de vidange avec évier de buanderie (vue C)

L'évier de buanderie doit avoir une capacité minimale de 20 gal. (76 L). Le sommet de l'évier doit être au moins à 39" (990 mm) au-dessus du sol et au maximum à 96" (2440 mm) de la base de la laveuse.

### Système de vidange au plancher (vue D)

Le système de vidange au plancher nécessite un brise-siphon qui peut être acheté séparément. Voir "Outils et pièces".

Le brise-siphon doit être au moins à 28" (71 cm) de la base de la laveuse. Des tuyaux supplémentaires peuvent être requis.



### Spécifications électriques

## ⚠ AVERTISSEMENT



#### Risque de choc électrique

**Brancher sur une prise à 3 alvéoles reliée à la terre.**

**Ne pas enlever la broche de liaison à la terre.**

**Ne pas utiliser un adaptateur.**

**Ne pas utiliser un câble de rallonge.**

**Le non-respect de ces instructions peut causer un décès, un incendie ou un choc électrique.**

- Une alimentation de 120 volts, 60 Hz, CA seulement, de 15 ou 20 ampères, protégée par un fusible est requise. On recommande l'emploi d'un fusible temporisé ou disjoncteur. Il est recommandé d'utiliser un circuit distinct pour alimenter uniquement cet appareil.
- Cette laveuse est dotée d'un cordon d'alimentation avec fiche de branchement à 3 broches, pour liaison à la terre.

- Pour minimiser le risque de choc électrique, on doit brancher le cordon d'alimentation sur une prise de courant murale de configuration correspondante (3 alvéoles) reliée à la terre conformément aux codes et règlements locaux. Si une prise de configuration correspondante n'est pas disponible, c'est au client qu'incombe la responsabilité et l'obligation personnelles de faire installer par un électricien qualifié une prise adéquatement mise à la terre.
- Si les codes le permettent et si un conducteur distinct de mise à la terre est utilisé, il est recommandé qu'un électricien qualifié détermine si la liaison à la terre est adéquate.
- Ne pas effectuer la liaison à la terre sur une canalisation de gaz.
- En cas de doute quant à la qualité de la liaison à la terre de la laveuse, vérifier auprès d'un électricien qualifié.
- Ne pas utiliser un fusible dans le circuit neutre ou de liaison à la terre.

### INSTRUCTIONS DE LIAISON À LA TERRE

#### Pour une laveuse reliée à la terre et connectée par un cordon :

Cette laveuse doit être reliée à la terre. En cas d'anomalie de fonctionnement ou de panne, la liaison à la terre réduira le risque de choc électrique en offrant au courant électrique un itinéraire d'évacuation de moindre résistance. Cette laveuse est alimentée par un cordon électrique comportant un conducteur relié à la terre et une fiche de branchement munie d'une broche de liaison à la terre. La fiche doit être branchée sur une prise de courant appropriée qui est bien installée et reliée à la terre conformément à tous les codes et règlements locaux.

**AVERTISSEMENT :** Le raccordement incorrect de cet appareil au conducteur de liaison à la terre peut susciter un risque de choc électrique. En cas de doute quant à la qualité de la liaison à la terre de l'appareil, consulter un électricien ou technicien d'entretien qualifié.

Ne pas modifier la fiche de branchement fournie avec l'appareil – si la fiche ne correspond pas à la configuration de la prise de courant, demander à un électricien qualifié d'installer une prise de courant convenable.

#### Pour une laveuse raccordée en permanence :

Cette laveuse doit être raccordée à un système de câblage permanent en métal relié à la terre ou un conducteur relié à la terre doit être en fonction avec les conducteurs de circuit et raccordés à la borne de liaison à la terre ou la borne sur l'appareil ménager.

# INSTRUCTIONS D'INSTALLATION

## Avant de commencer

### **AVERTISSEMENT**

#### Risque du poids excessif

Utiliser deux ou plus de personnes pour déplacer et installer la laveuse.

Le non-respect de cette instruction peut causer une blessure au dos ou d'autre blessure.

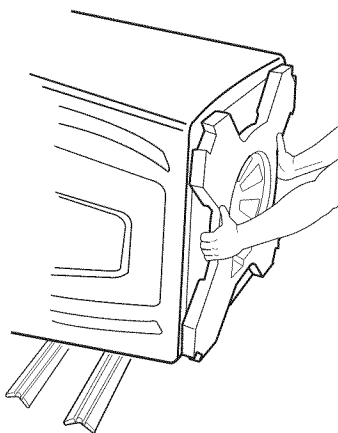
**REMARQUE :** Pour éviter d'endommager le plancher pendant l'installation, poser la laveuse sur un carton avant de la déplacer sur le sol.

#### IMPORTANT :

- Vérifier que la base d'expédition en mousse a été retirée de la partie inférieure de la laveuse tel qu'indiqué dans les Instructions de déballage.
- Si la base d'expédition en mousse n'a pas été retirée, vérifier que le couvercle est bien immobilisé avec du ruban adhésif avant de faire reposer la laveuse sur sa partie arrière.
- Le retrait de la base d'expédition en mousse est nécessaire au bon fonctionnement de l'appareil.

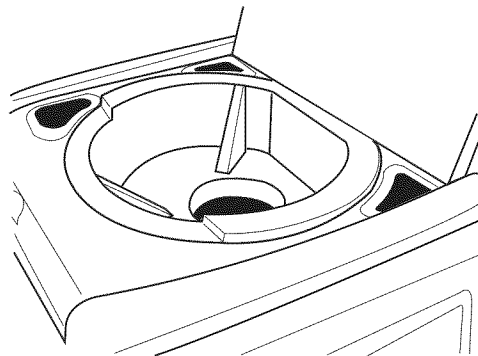
## Retrait de la base d'expédition et de l'anneau d'emballage

1. Placer des supports de carton du carton d'emballage sur le sol derrière la laveuse.
2. Fixer le couvercle avec du ruban adhésif.
3. À l'aide de deux personnes ou plus, incliner la laveuse sur sa partie arrière et la placer sur les supports de carton.
4. Ôter la base d'expédition en mousse.



5. Redresser la laveuse en position verticale.

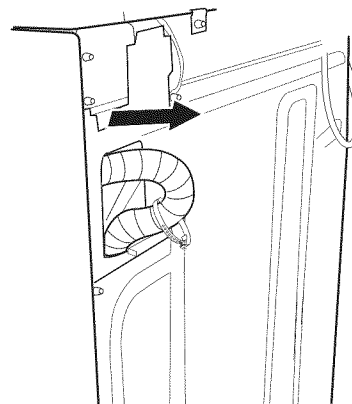
6. Retirer le ruban adhésif du couvercle. Ouvrir le couvercle et ôter l'anneau d'emballage en mousse de la cuve de la laveuse. Conserver l'anneau d'emballage en mousse en cas de déplacement ultérieur de la laveuse.



## Raccordement du tuyau de vidange

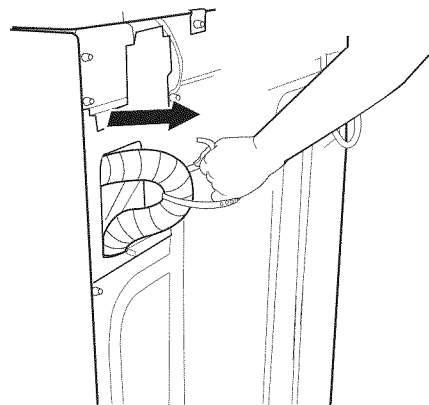
Le bon acheminement du tuyau de vidange protège vos planchers contre les dommages imputables à une fuite d'eau. Lire et suivre ces instructions.

Le tuyau de vidange est connecté à la laveuse et est remis à l'intérieur de la caisse de la laveuse.



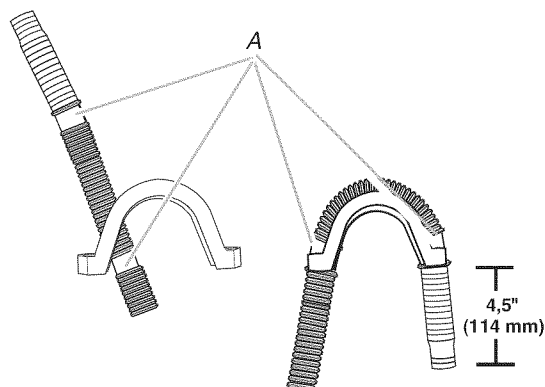
## Libération du tuyau de vidange fixé sur la caisse de la laveuse

Tirer sur le tuyau de vidange ondulé pour le sortir de la laveuse en saisissant d'abord l'attache de fixation. Continuer à tirer sur le tuyau jusqu'à ce que l'extrémité se dégage. Ne pas forcer l'excédent de tuyau de vidange dans l'arrière de la laveuse.



## Décharge de l'eau de lavage dans un évier de buanderie ou tuyau de rejet à l'égout

### Connexion de la bride de retenue pour tuyau de vidange sur le tuyau de vidange ondulé



A. Redressements du tuyau de vidange

1. Faire passer l'extrémité du tuyau de vidange dans l'une des extrémités de la bride de retenue. Placer l'extrémité de la bride de retenue dans le redressement du tuyau de vidange.
2. Plier le tuyau sur la partie supérieure de la bride de retenue et le faire passer dans l'autre extrémité de la bride de retenue. Fixer l'autre extrémité de la bride de retenue dans l'autre redressement du tuyau de vidange. Le tuyau doit être étiré de 4 1/2" (114 mm) au-delà de la bride de retenue.

### Pour empêcher l'eau de vidange de refluer dans la laveuse :

- Ne pas forcer l'excédent du tuyau de vidange dans le tuyau rigide de rejet à l'égout. Le tuyau doit être bien immobilisé, tout en permettant le passage d'air.
- Ne pas mettre l'excédent du tuyau de vidange dans le fond de l'évier de buanderie.

## Égout au plancher

Ne pas installer la bride de retenue pour tuyau de vidange sur le tuyau de vidange ondulé. Il vous faudra peut-être des pièces supplémentaires. Voir Égout au plancher dans "Outillage et pièces".

## Raccordement des tuyaux d'alimentation

1. Insérer les rondelles plates neuves (fournies) dans chaque extrémité des tuyaux d'arrivée d'eau. Insérer fermement les rondelles dans les raccords.



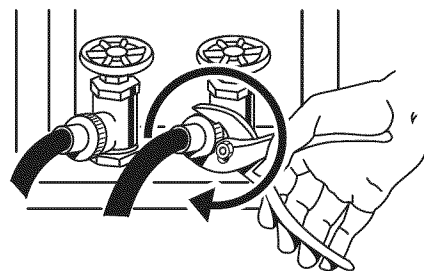
A. Raccord  
B. Rondelle

## Raccordement des tuyaux d'alimentation aux robinets d'eau

S'assurer que le panier de la laveuse est vide.

2. Fixer le tuyau dont l'étiquette porte la mention "hot" (chaud) au robinet d'eau chaude. Visser complètement le raccord à la main pour qu'il comprime la rondelle.

3. Fixer le tuyau dont l'étiquette porte la mention "cold" (froid) au robinet d'eau froide. Visser complètement le raccord à la main pour qu'il comprime la rondelle.
4. À l'aide d'une pince, serrer les raccords en effectuant deux tiers de tour supplémentaires.

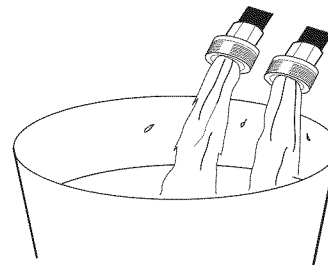


Serrer les raccords en effectuant deux tiers de tour supplémentaires.

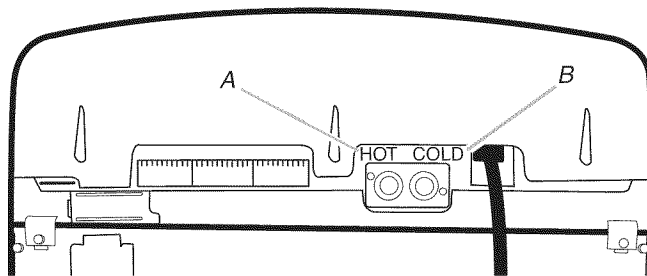
**REMARQUE :** Ne pas serrer excessivement ou utiliser du ruban adhésif ou un calfeutrant sur la valve. Les valves risquent d'être endommagées.

## Vider les canalisations d'eau

- Laisser s'écouler l'eau des deux robinets et des tuyaux d'alimentation dans un évier de buanderie, un tuyau de rejet à l'égout ou un seau, pour éliminer les particules se trouvant dans les canalisations d'eau qui pourraient obstruer les tamis de la valve d'arrivée d'eau.
- Vérifier la température de l'eau pour s'assurer que le tuyau d'eau chaude est connecté au robinet d'eau chaude et que le tuyau d'eau froide est connecté au robinet d'eau froide.



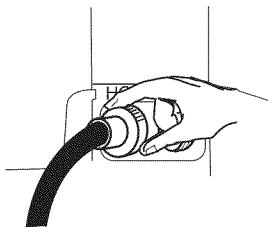
## Raccordement des tuyaux d'alimentation à la laveuse



A. Valve du tuyau d'alimentation d'eau chaude  
B. Valve du tuyau d'alimentation d'eau froide

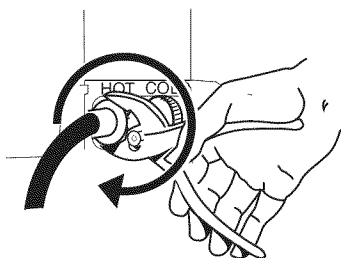
1. Fixer le tuyau d'eau chaude à la valve d'arrivée d'eau dont l'étiquette porte la mention hot (chaud).
2. Le fait d'attacher un raccord de tuyau d'abord permet de resserrer plus facilement la connexion avec la pince.

3. Visser complètement le raccord à la main pour qu'il comprime la rondelle.



4. À l'aide d'une pince, serrer le raccord en effectuant deux tiers de tour supplémentaires.

**REMARQUE :** Ne pas serrer excessivement ou utiliser du ruban adhésif ou un calfeutrant sur la valve. Les valves risquent d'être endommagées.



5. Fixer le tuyau d'eau froide à la valve d'arrivée d'eau dont l'étiquette porte la mention cold (froid).
6. Visser complètement le raccord à la main pour qu'il comprime la rondelle.
7. À l'aide d'une pince, serrer le raccord en effectuant deux tiers de tour supplémentaires.

**REMARQUE :** Ne pas serrer excessivement ou utiliser du ruban adhésif ou un calfeutrant sur la valve. Les valves risquent d'être endommagées.

#### Recherche de fuites

- Ouvrir les robinets d'eau et vérifier s'il y a des fuites. Une petite quantité d'eau peut entrer dans la laveuse. Vous effectuerez une vidange lors d'une étape ultérieure.

**REMARQUE :** Remplacer les tuyaux d'arrivée d'eau après 5 ans d'utilisation pour réduire le risque de défaillance intempestive. Prendre note de la date d'installation ou de remplacement des tuyaux d'arrivée d'eau, pour référence ultérieure.

- En cas de raccordement d'un seul tuyau d'eau, il est nécessaire de boucher l'orifice d'entrée d'eau restant.
- Inspecter périodiquement les tuyaux; les remplacer en cas de renflement, de déformation, de coupure, d'usure ou si une fuite se manifeste.

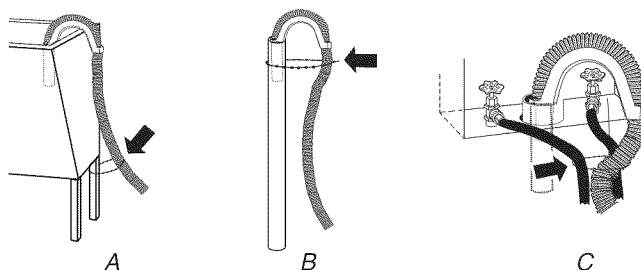
### Immobilisation du tuyau de vidange

1. Faire passer le cordon d'alimentation par-dessus la console.
2. Ôter tout carton utilisé pour le déplacement de la laveuse.



Attache de fixation perlée

3. Fixer le tuyau de vidange au pied de l'évier de buanderie ou au tuyau rigide de rejet à l'égout avec l'attache de fixation perlée. Voir l'illustration A ou B.



Si les robinets et le tuyau rigide de rejet à l'égout sont placés en retrait, introduire l'extrémité en col de cygne du tuyau de vidange dans le tuyau rigide de rejet à l'égout. Attacher fermement les tuyaux d'arrivée d'eau et le tuyau de vidange ensemble, avec l'attache. Voir l'illustration C.

### Réglage de l'aplomb de la laveuse

## ⚠ AVERTISSEMENT

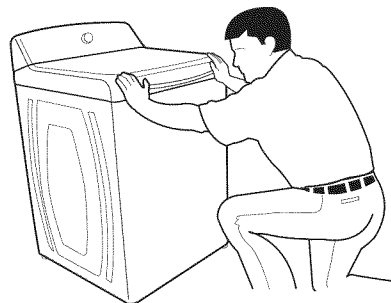
#### Risque du poids excessif

Utiliser deux ou plus de personnes pour déplacer et installer la laveuse.

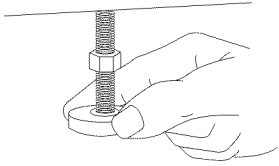
Le non-respect de cette instruction peut causer une blessure au dos ou d'autre blessure.

Réglage de l'aplomb de la laveuse Un bon aplomb de la laveuse évite le bruit et les vibrations excessifs.

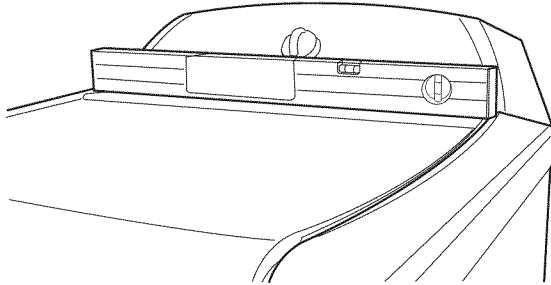
1. Déplacer la laveuse à son emplacement final.
2. Pousser la laveuse d'avant en arrière pour vérifier que les quatre pieds sont stables et en contact ferme avec le plancher. Si la laveuse bascule, ce modèle de laveuse correspond peut-être à celui qui est livré avec 3 pieds pré-réglés à l'usine. On doit alors régler le pied avant droit pour établir l'aplomb de la machine. Si les 4 pieds sont pré-réglés à l'usine, de petits réglages seront peut-être nécessaires pour mettre la laveuse d'aplomb sur le plancher.



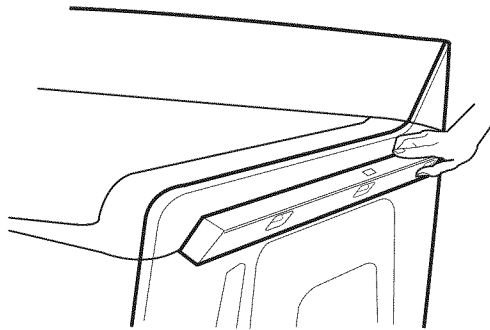
3. Pour les machines avec un pied avant droit réglable, abaisser le pied avant droit jusqu'à ce qu'il soit en contact avec le plancher. À l'aide d'une pince, faire pivoter le pied vers le haut d'un tour et demi supplémentaire.



4. Vérifier le bon aplomb de la laveuse. Placer d'abord un niveau sur le couvercle près de la console. Puis placer le niveau sur le côté de la laveuse dans l'espace situé entre la partie supérieure de la laveuse et la caisse.



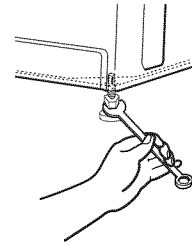
Régler l'aplomb de l'avant.



Régler l'aplomb latéral.

5. Si la laveuse n'est pas d'aplomb, déplacer légèrement la laveuse pour la dégager, l'incliner vers l'arrière et soulever l'avant de la laveuse avec une cale de bois. Régler le pied avant en desserrant l'écrou de blocage à l'aide d'une clé plate de 9/16" ou de 14 mm puis faire tourner le pied vers le haut ou vers le bas selon le besoin.  
**CONSEIL UTILE:** Il faudra peut-être régler les pieds arrière pour établir l'aplomb de la machine. Si l'on installe la machine dans un endroit exigu ou difficile d'accès, il faudra peut-être dégager la machine de l'emplacement pour pouvoir avoir pleinement accès aux pieds. Il peut être utile de bloquer les pieds arrière avant de réinstaller la laveuse dans son emplacement.
6. Après que l'aplomb de la machine a été réglé, s'assurer que les quatre pieds sont stables et en contact ferme avec le plancher en poussant doucement la laveuse d'avant en arrière, d'un côté à l'autre et en diagonale. Régler les pieds si nécessaire en répétant les étapes 4 à 6 au besoin.

7. À l'aide d'une clé plate de 9/16" ou de 14 mm, tourner les écrous de blocage dans le sens antihoraire sur le pied en le bloquant fermement contre la caisse de la laveuse.  
**IMPORTANT:** Si les écrous de blocage ne sont pas bien serrés contre la caisse de la laveuse, la laveuse peut vibrer.



## Achever l'installation

1. Consulter les spécifications électriques. Vérifier que la tension électrique disponible est correcte et que la prise de courant est convenablement reliée à la terre. Voir "Spécifications électriques".
2. Vérifier que toutes les pièces sont maintenant installées. S'il reste une pièce, passer en revue les différentes étapes pour découvrir laquelle aurait été oubliée.
3. Vérifier la présence de tous les outils.
4. Conserver l'anneau d'emballage en mousse de la cuve en cas de réinstallation ultérieure de la laveuse. Jeter ou recycler tous les matériaux d'emballage.
5. Vérifier que les robinets d'eau sont ouverts.
6. Vérifier s'il y a des fuites autour des robinets et des tuyaux d'arrivée d'eau.

## ⚠ AVERTISSEMENT



### Risque de choc électrique

**Brancher sur une prise à 3 alvéoles reliée à la terre.**

**Ne pas enlever la broche de liaison à la terre.**

**Ne pas utiliser un adaptateur.**

**Ne pas utiliser un câble de rallonge.**

**Le non-respect de ces instructions peut causer un décès, un incendie ou un choc électrique.**

7. Brancher sur une prise à 3 alvéoles reliée à la terre.
8. Ôter tout film protecteur ou ruban adhésif restant sur la laveuse.
9. Lire "Utilisation de la laveuse".
10. Pour tester et nettoyer votre laveuse, mesurer ½ de la quantité recommandée par le fabricant de détergent Haute efficacité (HE) en poudre ou liquide pour une charge de taille moyenne et verser dans le distributeur de détergent. Rabattre le couvercle. Appuyer sur POWER (alimentation). Sélectionner un programme normal et appuyer sur Start (mise en marche). Laisser un programme complet s'effectuer.

---

# NOTES

---

# NOTES

**W10240438A**

**SP PN W10240439A**

© 2008 Whirlpool Corporation.  
All rights reserved.  
Tous droits réservés.

© Registered Trademark/TM Trademark of Whirlpool, U.S.A.,  
Whirlpool Canada LP licensee in Canada  
© Marque déposée/TM Marque de commerce de Whirlpool, U.S.A.,  
Emploi sous licence par Whirlpool Canada LP au Canada

12/08  
Printed in U.S.A.  
Imprimé aux É.-U.