

# ComfortBreeze™ CB707

## Centrifugal Atomizing Humidifier



### TECHNICAL SPECIFICATION



#### Overview:

Centrifugal atomizing humidifiers operate by dispersing a fine mist into the return air supply duct of your heating system or directly into the space. Heightened indoor air quality and increased comfort are the result. ComfortBreeze™ CB707 humidifiers feature microprocessor controls with a status LED that indicates operating status, fault indication and when service is required. The universal humidistat, installed either on the wall or in the cold air return duct, turns on the unit when the humidity level is below the set point.

#### Features:

- » Environmentally Friendly - The CB707 humidifier wastes no water during normal operation and consumes less than 75 watts.
- » Versatile Installation - Can be duct mounted, ceiling mounted, wall mounted or shelf mounted.
- » Push-To-Lock Fittings - Water connections are easy and provide simple, worry-free operation.
- » Fault Annunciation - The integrated microprocessor controls continuously monitor the humidistat status, float switches and operating hours to indicate when service is required and facilitate troubleshooting.
- » Independent Operation - The CB707 can be installed so that a “call for heat” is not required for the unit to deliver humidification.

#### Benefits:

- » Increasing a home’s relative humidity can make it feel comfortable at a lower temperature. (68°F can feel equivalent to a dry 73°F)
- » Reduced Heating Bills - In addition to improving comfort and indoor air quality, the CB707 can help reduce heating bills. Since humidified air feels warmer, a lower thermostat setting may translate into energy savings.
- » More economical than steam humidifiers when installed on heat pump systems.
- » Compatible with all forced air HVAC systems.

#### Warranty:

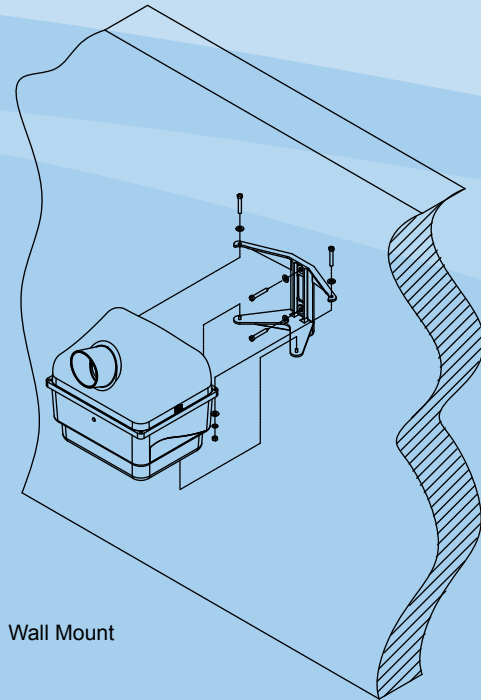
- » 5-Year Limited Warranty



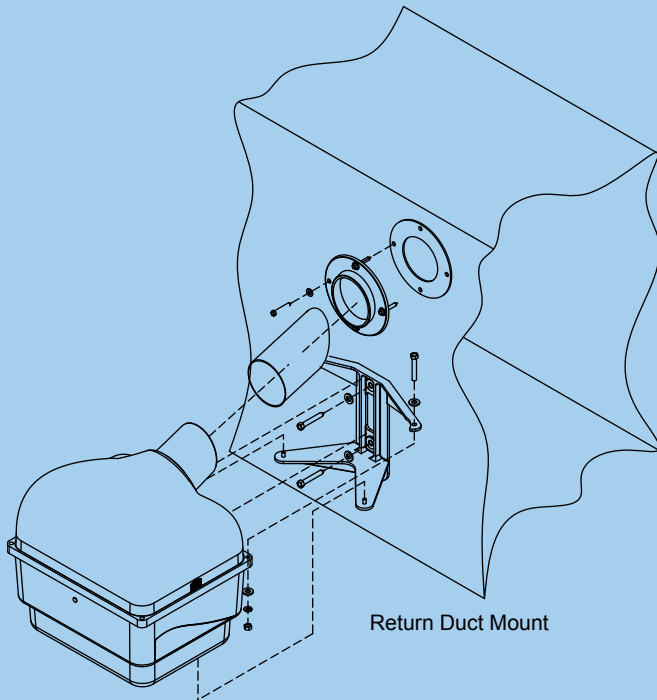
### TECHNICAL SPECIFICATION

#### ComfortBreeze™ CB707

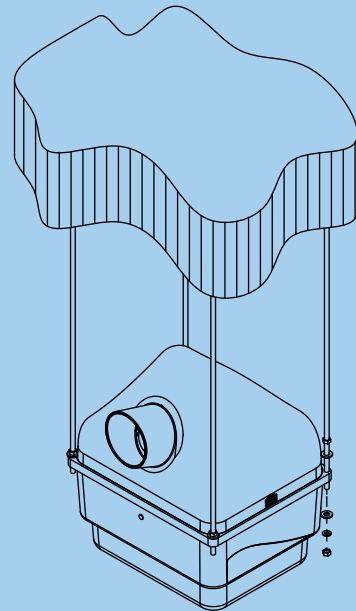
Model	CB707
Part No.	265562-001 (120V) & 265562-002 (220V)
Type of Unit	Centrifugal - Atomizing
Capacity (GPD)	6.0 Gallons per Day
Water Supply	20-80 PSI
Voltage (Amps)	120VAC (0.6A), 220VAC (0.3A)
Unit Dimensions	11"W x 9.5"D x 12"H
Water Connection	1/4" OD Tubing
Overflow Connection	1/2" ID Tubing
Ducted Connection	2 7/8" Round
Shipping Weight	12.75 Lbs.
Operating Weight	9 Lbs.
Approvals (Pending)	ETL (US & Canada) CE (220V)



Wall Mount



Return Duct Mount



Ceiling Mount

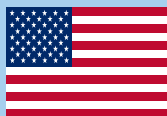
Indoor Air Quality Since 1948.

ISO 9001:2008 Certified.

Industry Memberships:



Proudly Designed,  
Engineered, and  
Manufactured in the USA.\*



\*Manufactured with domestic  
and foreign components.

To help serve you better,  
please contact us at:

800-884-0002 (tel)

800-458-2379 (fax)

Trion<sup>®</sup>

101 McNeill Road  
Sanford, NC 27330

[www.trioniaq.com](http://www.trioniaq.com)

[customerservice@trioniaq.com](mailto:customerservice@trioniaq.com)

Trion<sup>®</sup> is a registered trademark of Air System Components, Inc. All product specifications reflect available information at the printing of this brochure. Trion<sup>®</sup> reserves the right to revise or modify products and/or specifications without notice. ©2012 Trion<sup>®</sup>.