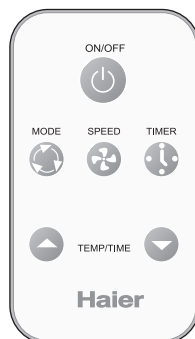
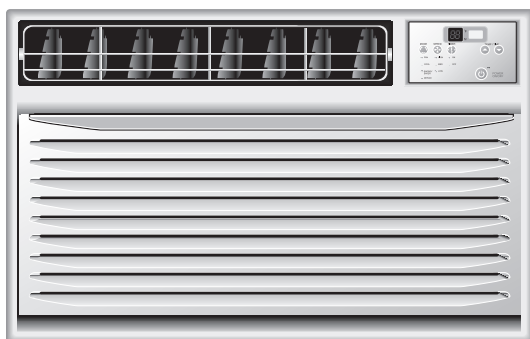


# Haier

What The World Comes Home To™

Room Air Conditioner  
**Electronic Control**  
Climatisation de Pièce  
à **Commande Electronique**  
Acondicionador De Aire  
**Control Electrónico**



HWR10XC5, HWR12XC5  
ESA3105, ESA3125

**User Manual**  
**Manuel d'utilisation**  
**Manual del Usuario**



(ESA3105/ESA3125 Only)

*Read instructions before installing.*  
*Call 1-877-337-3639 for questions on parts and services*

*Lire les instructions avant de procéder à l'installation.*  
*Pour toutes questions concernant les pièces et l'entretien, composez le 1-877-337-3639.*

*Lea las Instrucciones antes de instalar el aparato*  
*Llámenos al 1-877-337-3639 si tiene preguntas sobre repuestos o servicios*



## A Word From Haier

Thank You for buying a dependable, energy saving and easy to operate HAIER room air conditioner. This manual contains useful information for you to maintain, operate, install and safely use your room air conditioner. Your air conditioner cleans, cools and dehumidifies the air in your room to provide you with the ultimate level of comfort.

Please read instructions carefully before using the product. Also, do not forget to fill out and mail the **Product Registration Card**.

## Product Registration

### Record Your Model and Serial Number.

For all your service calls during the warranty period the following information will be needed. Attach the sales receipt to this guide and keep for future reference. This information can be obtained from the serial plate, which is on your air conditioner. This is either on the cabinet (side or back) or you may have to remove the front grille to locate it.

Model Number: .....






Serial Number: .....

Date of Purchase: .....

Dealer's Name: .....

Dealer's Address: .....

Dealer's Phone Number: .....

TABLE					
RECEPTACLE AND FUSE TYPES					
RATED VOLTS	125/60		250/60		
AMPS	15	20	15	20	30
WALL OUTLET					
FUSE SIZE	15	20*	15	20*	30
TIME DELAY FUSE (or circuit breaker)	Plug	Plug	Plug		

# SAFETY PRECAUTIONS

**WARNING:** *Following these basic precautions will reduce the risk of fire, electrical shock, injury or death when using your air conditioner.*



- 1) Air conditioner must be connected to proper electrical outlet with the correct electrical supply. *(see table)*
- 2) Proper grounding must be ensured to reduce the risk of shock and fire. **DO NOT CUT OR REMOVE THE GROUNDING PRONG.** If you do not have a three-prong electric receptacle outlet in the wall, have a certified electrician install the proper receptacle. The wall receptacle **MUST** be properly grounded.
- 3) Do not use if power cord is frayed or otherwise damaged. Also avoid using it if there are cracks or abrasion damage along the length, plug or connector.
- 4) **DO NOT USE AN ADAPTER OR AN EXTENSION CORD.**
- 5) When installing your air conditioner in a window, make sure the window is strong enough to hold the weight of the air conditioner. You also want to secure and correctly install your air conditioner properly to prevent it from falling. Extra brackets and or support may be required depending on your window.
- 6) Do not block airflow inside or outside the air conditioner with blinds, drapes, protective covers, shrubs or bushes.
- 7) Be careful of sharp edges on the front and rear fins of the unit that could cut and cause serious injury.
- 8) Be careful when lifting the air conditioner to install or remove the unit. Always use two or more people for this.
- 9) Always unplug the air conditioner before servicing it or moving it.

# Table Of Contents

	<b>PAGE</b>
<b>A Word From Haier</b> .....	1
<b>Product Registration</b> .....	1
<b>Safety Precautions</b> .....	2
<b>Warnings</b> .....	4
<b>Electrical Safety</b> .....	4
<b>Tips</b> .....	5
<b>Energy Saving Guide</b> .....	5
<b>Features</b> .....	6-7
<b>Operating Guide</b> .....	8-12
Normal Operating Sounds .....	8
Operating Instructions .....	8-12
<b>Installations</b> .....	13-18
Parts .....	14
Tools .....	14
Installing Unit into A Window .....	15-18
<b>Clean and Care Guide</b> .....	19-20
<b>Troubleshooting</b> .....	20-21
<b>Warranty Information</b> .....	22

# WARNINGS



Following the safety messages is very important.

These messages can save you from being injured or killed.

**Warning** symbols alert you to be careful and means **Danger**. Always follow instructions to be safe and reduce chances of injury or death.

**Warning** and **Danger** signs will precede safety messages.

## Electrical Safety



**Grounding:** This room air conditioner must be grounded. Grounding reduces the risk of electric shock by providing an escape wire for the electric current. The power cord has a grounding wire with a grounding plug. Plug it into an outlet that is properly installed and grounded.

**WARNING:** Improper use of the grounding plug can result in a risk of electric shock. Call a qualified electrician if you don't understand the grounding instructions or if you are not sure if the air conditioner is properly grounded. If the wall outlet is not grounded, please contact an electrician to have it replaced with a properly grounded outlet.

**Do not, under any circumstances, cut or remove the third (ground) prong from the power cord.**

**Adapter Plug:** We strongly advise against using an adapter plug.

**Important:** Test power plug before each use:

1. Press  $\bar{i}$  reset  $\bar{i}$  button.
2. Press  $\bar{i}$  test  $\bar{i}$  button, unit should trip.
3. Press  $\bar{i}$  reset  $\bar{i}$  button again for use .

Do not use if above test fail.

In the event this device trips , the cause of the malfunction be corrected before further use of the device .

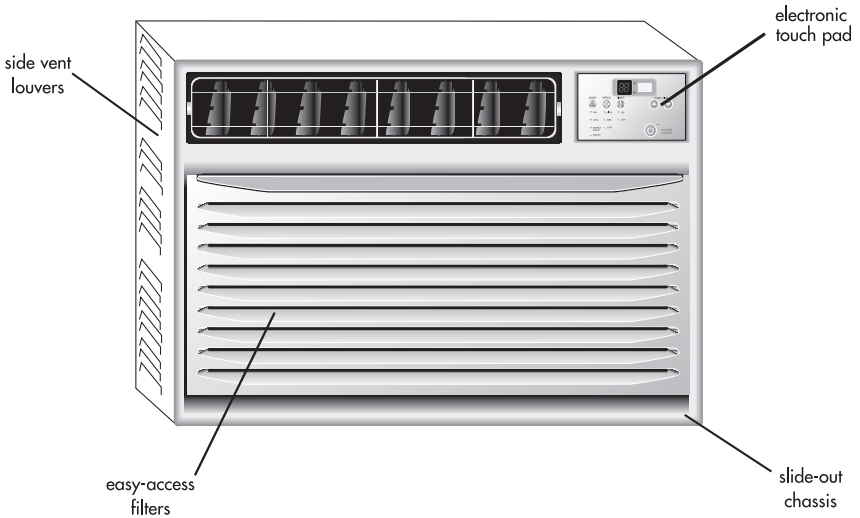
## Tips

- Air Conditioners are designed for use in a double hung window or through the wall installation only. (As applicable in your model)
- While installing unit be sure to tilt air conditioner 5 degree outward to have the water drip outside the house.
- ⚠️ • Install the unit on the north side as normally that is the shaded side. This will enhance the operation of your unit.
- Window has to be strong for installation. Extra brackets and or support may be required depending on your window.
- Measure the window before installing, if the window is too big for the unit you may require professional installation.
- ⚠️ • Use correct electric voltage and proper ampere for the unit to run effectively.
- ⚠️ • Only let a certified electrician do any modifications to your electrical outlet.

## Energy Saving Guide

- When installing your air conditioner make sure to seal all areas where there is a possibility of air leakage.
- Airflow should not be blocked inside either by curtains, drapes or furniture or outside by shrubs or bushes.
- Do not needlessly use an electrical light or other appliances that produce heat.
- Keep the blinds and the drapes drawn on all the other windows.
- While cooking use an exhaust fan in the kitchen to remove the excess heat produced.
- Always use the correct BTU size air conditioner to cool the room to attain optimum efficiency.

# Features



## 1. Thermostat

This allows you to adjust the temperature of the air. The lower the setting the cooler the air temperature. With this you can set the temperature to your desired comfort level. You can set the temperature between 61° F and 86° F

## 2. Fan Speed

With this you can control the fan speed as well as the A/C (cooling) speed.

You have 3 levels of A/C Speed for you to set at your desired level. LO will circulate air at the lowest velocity, MED at medium velocity and HIGH will circulate at the maximum.

You have 3 levels of Fan Speed to set at your desired comfort level. HIGH, MED and LOW

## 3. Function.

Your air conditioner has 3 Functions.

a) A/C.

Here the air conditioner will operate the compressor and the desired fan speed set to give you chilled cold air for your comfort.

b) Dehumid.

This enables your air conditioner to operate as a dehumidifier as well. It will remove the excess moisture from the air to keep your room at a

comfortable dry stage. You can use this feature alone in case you do not desire to use the air conditioner.

c) Fan Only

You can run the fan only on not so hot days. The fan can be set to run at 3 speeds (HIGH fan, MED fan, LOW fan) as desired by you.

## 4. Energy Saver

When this feature is "On" the fan will shut off three minutes after the compressor cycles off. This will reduce energy consumption and noise. When the compressor turn back on the fan will turn on at the same time. In the "Off" position the fan will not shut off when the compressor cycles off.

## 5. Timer

Your air conditioner can be set to go on or off at your desire. This can be done up to 24 hours in advance.

## 6. 4 Way Air Flow

These air directional louvers let you control the direction of the airflow in your required direction.

The airflow can be directed  
up – down – right side – left side.



### 7. Vent

The Fresh Air Vent allows the air conditioner to recirculate inside air, draw fresh air into the room and exhaust stale air to the outside .

### 8. Slide Out Chassis

Your Air Conditioner becomes more versatile with this feature. You have the option to install the unit in a window or the wall.

### 9. Window Install Kit

Enables you to install the air conditioner in a double hung window. Extra brackets or support may be needed depending on your window.

### 10. Remote Control

This full functional wireless remote allows you to operate your air conditioner from a distance. You need not have to get up to change the settings, the functions or to turn the unit on or off.

### 11. LED Display Electronic Control Panel

The 4 function LED displays Room Temperature, Temperature Setting, Timer Setting and Time Remaining to Stop / Start the unit. Electronic Control Panel lets you set the temperature to the Exact Temperature you desire.

### 12. Electrostatic Filter (not all models)

Being constructed of high efficiency purifying substance, active carbon fabric, electrostatic fabric, electrostatic active carbon net and other materials it purifies the air effectively. Its wavy structure increases the capability to filter dust and smoke effectively. Due to the retention of the active carbon it has a high purifying speed capable of strong airflow.

### 13. How The Unit Drains

On humid days with the air conditioner in use, moisture may collect on the pan or bottom of the air conditioner. If the unit is position properly the moisture will gather towards the back of the unit. This will not effect the operation of the unit and the moisture will evaporate in time. Occasional the moisture will flow over the back of the pan but this will not effect the operation of the unit. Never drill holes in the pan under any condition.

# Operating Guide

## Normal Operating Sounds

The following sounds are normally heard during the operation of an air conditioner.

- Cool airflow movement as dictated by the set fan speed.
- Water sounds. This is normal as your air conditioner acts as a dehumidifier also. Thus you will hear water sounds from water drops falling on the condenser.
- As the refrigerant flows through the inner sealed tubing a rushing noise may be heard.
- Rattling or vibrating noises may be heard due to poor wall or window installation.
- High pitch compressor sound may be heard.

## Operating Instructions

Following are the operating instructions of your electronic air conditioner.

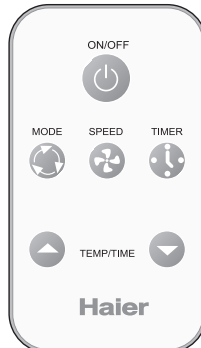
### Remote control and control panel operations

After installing your air conditioner plug it in to the proper electrical outlet in the wall. Keep the vent in the closed position. Now set the air conditioner at your comfort level. This full functional wireless remote allows you to operate your air conditioner without having to get up and go to the unit. The full function feature allows you to change the settings and turn the unit on or off from the remote itself. This control pad works the same as the control pad on the air conditioner.

(See Fig. # 1)

Fig. # 1

### Remote Control

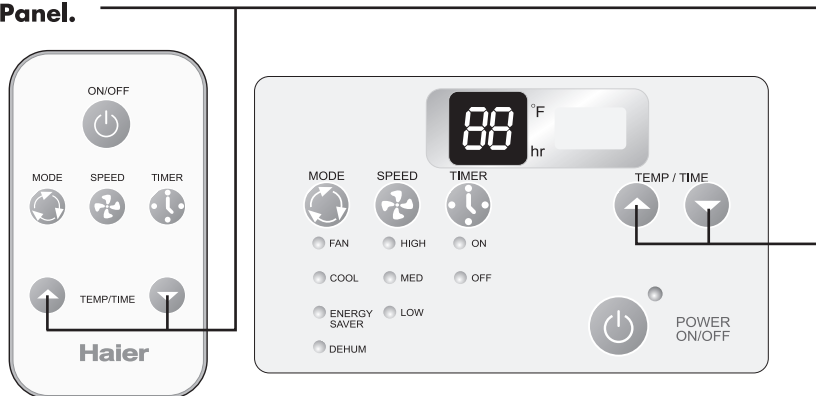


After you plug in the unit it will perform a self test. All the display lights will turn on for 3 seconds. The LED display will read "88". If any display light fails to turn on you may need service on the unit. After the 3 seconds self test the unit will automatically go to the stand by mode. Now all lights will be off and you will have to turn "ON" by pressing the On/Off key. After pressing "On/Off", the unit starts to work and enters the status of "Fan" with low setting.

You will have to press the (▲) or (▼) key on the Temp/Time to set the temperature at your desired comfort. You can choose between 61°F and 86°F. Once the temperature is set you can raise or lower it by pressing the (▲) or (▼) keys. (Only when the unit is cooling, energy saver or dehumidifying, can the temperature setting be adjusted.) (See Fig. # 2)

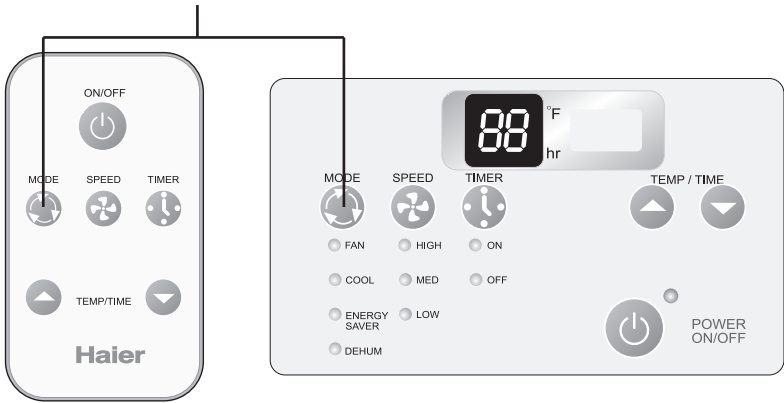
Having set the temperature you will set the function of the air conditioner.

Fig. # 2

**Control Panel.**

Every time you press the MODE button, it will change between FAN, COOL, ENERGY SAVER and DEHUM (See Fig. # 3)

Fig. # 3  
Control Panel.



Once the function mode is decided you will have to set the fan speed. (See fig. #4) Every time you press the SPEED button, fan speed will change between LOW HIGH, MED.

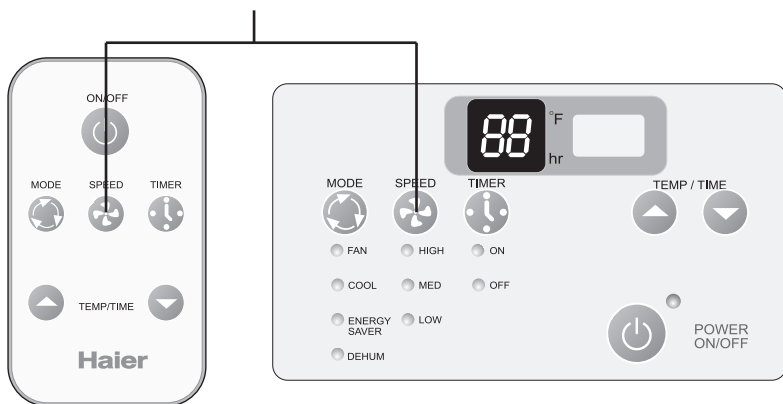
- 1) If you choose the COOL mode you can run the fan in one of the 3 speeds HIGH, MED, LOW
- 2) For cool days you may want to run the "FAN" function. The fan can be set to run 3 speeds (HIGH fan, MED fan, LOW fan) as desired by you.

≤ ≤

4) Energy Saver : The unit runs the same as COOL setting in the ENERGY SAVER mode. But the fan will be off 3 minutes after the compressor cycle off.

Fig. # 4

**Control Panel.**



•

▲

▼

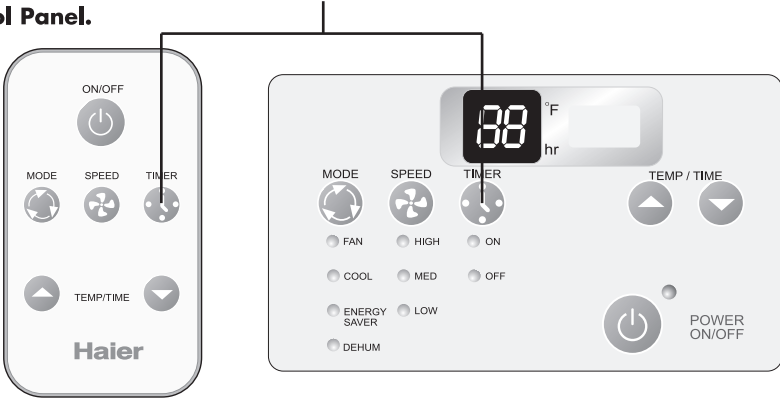
•

▲

▼

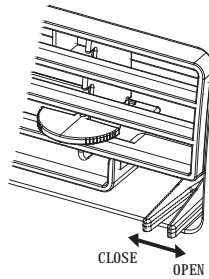
Fig. # 5

**Control Panel.**



**Vent Control Operations**

For maximum cooling efficiency, CLOSE the vent. This will allow internal air circulation. OPEN the vent to discharge stale air.



**Adjusting the Air Flow Direction**

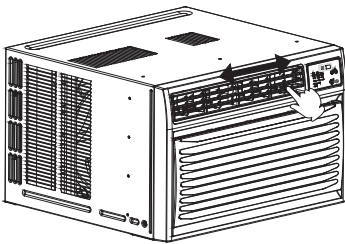
Airflow can be adjusted by changing the direction of the air conditioner's louvers. This can also increase the cooling efficiency of the air conditioner.

**Adjusting Horizontal Air Flow Direction**

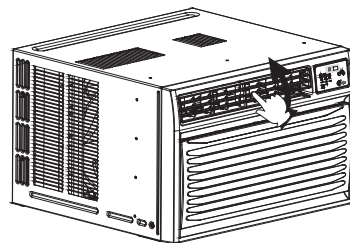
Adjusting the vertical louvers left and right will change horizontal airflow.

**Adjusting Vertical Air Flow Direction**

Adjusting the Horizontal vane up and down will change vertical airflow. The vane can be adjusted by nudging the back or up and down of the vane.



Adjusting Horizontal Air Flow



Adjusting Vertical Air Flow









**Recommended orientation of louvers**

Adjust louvers to face upwards when cooling to maximize cooling efficiency.

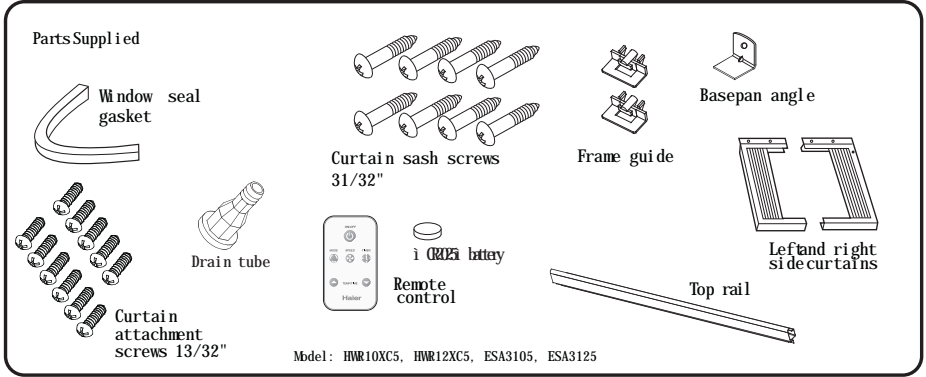
# Installations

Before you install your air conditioner check the following:

- 1) The unit is free of all obstructions inside and outside the room e.g. drapes, curtains, furniture, plants, shrubs, bushes, trees, other structures like building, garage etc. Air conditioner must have clear unobstructed airflow through the condenser to remove the heat.
- 2) The window is strong enough to hold the weight of the air conditioner. Extra brackets or supports may be needed depending on your windows.
- 3) The window sill and track are strong enough to hold the weight of the air conditioner.
- 4) The wall is strong enough to hold the unit. Extra brackets or supports may be needed depending on the wall.

-  5) There is adequate and proper power supply near the air conditioner.
-  6) DO NOT use adapter plugs.
-  7) DO NOT use extension cords.
-  8) DO NOT cut or remove the ground prong.
-  9) DO NOT modify the plug or the electrical wall outlet in any way.  
If plug does not fit the electrical outlet have a certified electrician do the necessary change.
-  10) DO NOT connect electrical power to the unit before installation.
-  11) DO NOT use if power cord is worn out, frayed or otherwise damaged.  
Avoid using if there are cracks or abrasion damage along the length, plug or connection.
-  12) Be careful of exposed sharp edges of the cabinet and sharp coils (fins) on the back of the unit that could cut and cause serious injury.

## Parts



## Tools

You will need to have the following tools to help you in the installation of your air conditioner.

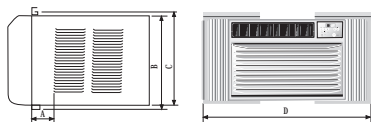
- Scissors
- Phillips Screwdriver
- Standard Screwdriver
- Pliers
- Wrench
- Drill and Drill Bits
- Tape Measure
- Gloves
- Level
- Sockets



# Installing Unit into A Window

## Window Opening Requirements

The air conditioner is designed to fit into double or single hung sash type windows. The unit comes with an installation kit that provides adjustable mounting louvers between the sides of the unit, and the window frame. The chart below reflects the units with, and without installation kits. Measure your window opening to the chart below to ensure that it meets the minimum and maximum window width requirements.



HWR10XC5, HWR12XC5, ESA3105, ESA3125

Model Dimension	HWR10XC5, HWR12XC5, ESA3105, ESA3125
A (inch)	8 $\frac{21}{32}$ "
B (inch)	15 $\frac{9}{16}$ "
C (inch)	15 $\frac{15}{16}$ "
D (inch) Max	39 "
D (inch) Min	27 "
Case High	14 $\frac{31}{32}$ "
Case Width	23 $\frac{5}{8}$ "
Case Depth	22 $\frac{7}{16}$ "

e d o M

## 1 PREPARE UNIT FOR INSTALLATION-1

Unpack unit on floor next to installation location.

1. Open the inlet grille by pulling the exposed door on the top of the unit and remove the screw which fastens the front panel. (Fig. A)

2. Remove the front panel and rotate it to B position. Separate operation panel from the front panel by pushing the tabs. (Fig. B)

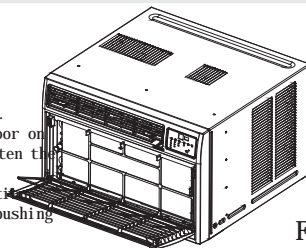


Fig. A

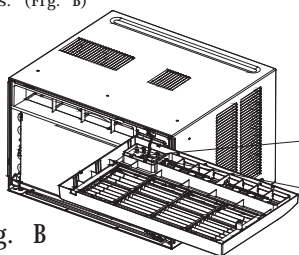
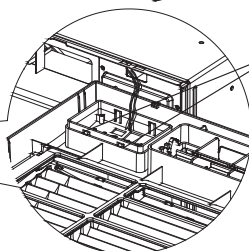


Fig. B

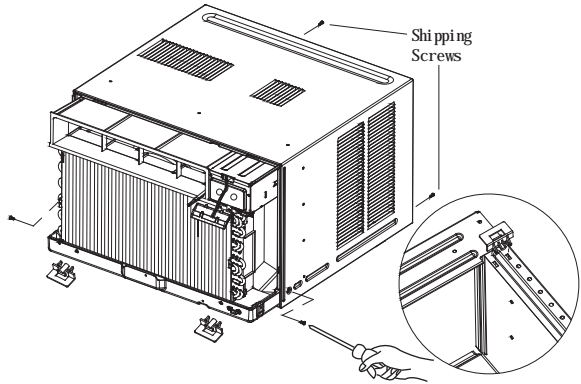


Tabs

## 2 PREPARE UNIT FOR INSTALLATION-2

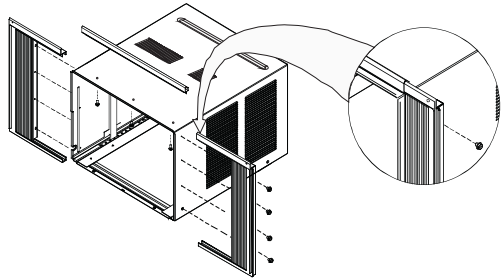
1. Remove the screws which fasten the cabinet at both sides and at the back.
2. Slide the unit from the cabinet by gripping the base pan handle and pulling forward while bracing the cabinet.
3. Insert the Frame Guide into the bottom of the cabinet.

Caution: Never expose plastic front or grille to extreme temperatures.



## 3 ASSEMBLE CURTAINS/TOP RAIL

Install top rail with three 13/32" screws. Slide left-hand curtain assembly into left end of top and bottom rails. Repeat for right-hand curtain assembly. Fasten curtain retainer strips to sides of outer case with eight 13/32" screws.



## 4 PREPARE WINDOW FOR INSTALLATION

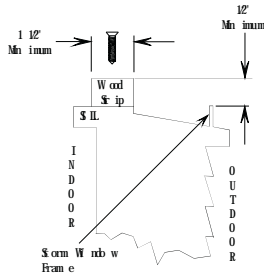
Inspect window track, sash, and sill for its ability to support the weight of air conditioner.

Measure width between window moldings to ensure Instant Mount will fit window frame. Instant Mount models are designed for windows wide (the detail see page 15)

Instant Mount kit supplied with unit is designed for mounting in most double-hung windows without storm windows. For installation in window frame with storm window, modify sill by adding wood strips (not included) to inner and outer sills. This raises unit and eliminates interference of storm window frame.

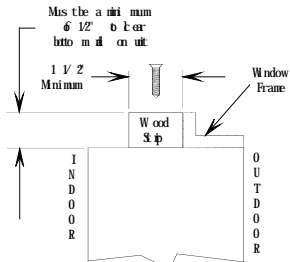
### Storm window installation

If storm window frame does not allow adequate clearance below sill (1/2" required), remove storm window frame or create clearance by adding a wood strip (at least 1 1/2" wide) along entire width of sill. Fasten wood strip to sill with at least three countersunk wood screws (not supplied with kit). This provides a smooth surface for mounting air conditioner.

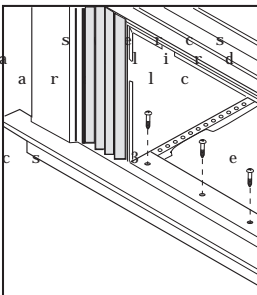
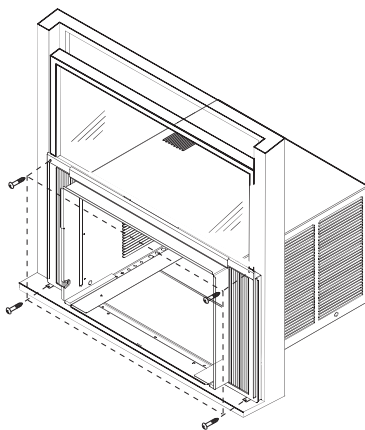
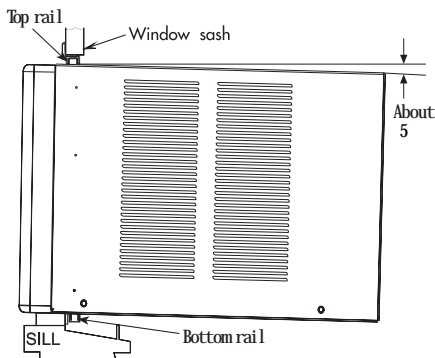


### Mobile home window installation

Add wood strip (at least 1 1/2" wide) along entire width of window sill. The thickness of wood strip should match height of front lip on window frame. Fasten wood strip to sill with a minimum of three countersunk wood screws (not supplied with kit). This provides a smooth surface for mounting air conditioner.



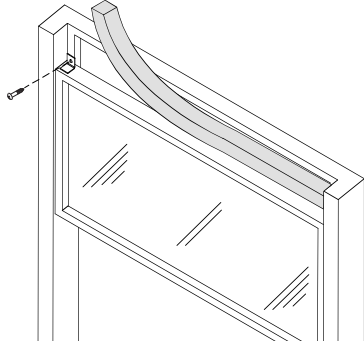
# 5 INSTALL OUTER CASE IN WINDOW



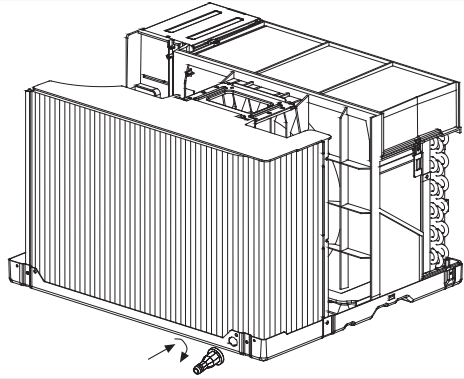
u h s a s w o d n i w e h t

e k E a T m 0 N o T  
, e v i r d  
h g u o r h t

## 6 INSTALL SASH BRACKET & SEAL GASKET

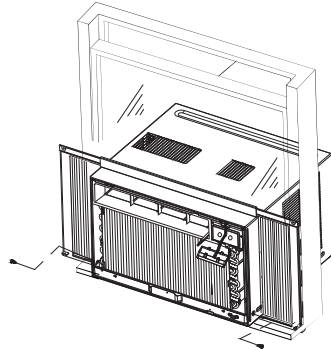


## 7 INSTALL DRAIN TUBE

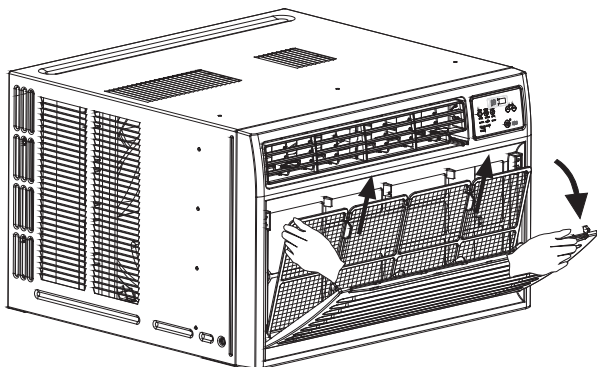


## 8 RETURN CHASSIS TO OUTER CASE

Find someone to help you replace chassis in outer case. Replace front panel, and grille. (Don't forget to install the attachment screws before replacing grille) Caution: For security purpose, reinstall screws at cabinet's sides. Important: Because window sash helps keep unit in window, make certain window sash contacts outer case before reinstalling chassis.



# Cadence



- Always unplug your air conditioner before cleaning.
- The air filter behind the inlet grille should be checked and cleaned at once every 2 weeks (or as necessary) to maintain optimal performance of the air conditioner.

### How to remove the air filter

1. The grille may be opened from the top for easy maintenance after installation.
2. Open the inlet grille by pulling off the exposed door on the top of the unit (based on the installation).
3. Pull the tab slightly to release the filter. Pull the filter in the same direction as the opening.
4. Clean the filter with warm, soapy water. The water should be below 40°C (104°F).
5. Rinse off and gently shake off excess water from the filter. Let it dry before replacing it.

DO NOT use your air conditioner without the air filter in place.

- To clean the front panels or the cabinet DO NOT use harsh chemicals, abrasives, ammonia, chlorine, bleach, concentrated detergents, solvents or metal scouring pads. Some of these chemicals may dissolve, damage and/or discolor your air conditioner.
- Always use a soft cloth dampened with water or mild soap and water solution to wipe the front of the cabinet. Wipe dry with a soft cloth.

- To store your air conditioner, after the season, remove the unit from the window as per the installation guide. Repack the unit in its original box and store away. If your unit is installed in a wall or you do not intend to remove it from the window then cover the outside with a winter cover. This can be purchased from the retailer where you purchased your air conditioner or from your local hardware store.
- Before putting away your unit make sure any water left in the pan is removed and drained away'. Water left in the pan could lead to Rusting or damage to the electrical connections.

## Troubleshooting

If air conditioner does not operate:

- Check if unit is plugged in. The plug may have come loose.
- Check if the unit is in "Off" mode.

Air from air conditioner is warm:

- The COOL setting may need to be raised.

Ice formation on cooling coils:

- Outside temperature too cold. Set the unit on fan only setting to defrost ice.
- Lower temperature setting. Temperature setting may be too cold,
- Unit BTU may be too high for the room

Air conditioner working but room not cooling:

Room may have appliances that produce heat. Use an exhaust fan to remove excess heat.

Redirect the airflow Remove any obstacles.

All doors and windows need to be closed so cool air does not escape the room

Air filter may need cleaning.

Unit BTU may be too low for the required cooling area.

On extreme hot & humid days air conditioners may take a little longer to cool

Vent may be in the open position. Vent has to be closed for optimum cooling.

Air conditioner is making noise when cooling:

You may hear sounds of air movement, water, compressor clicking on and off or window vibrations. Read Operating Guide- Normal Operating Sounds. (See page 8)

Water in the air conditioner cabinet:

This is normal as your air conditioner not only cools but also dehumidifies the air. If there is water dripping inside the room, check the indoor unit. The unit may need to be reinstalled. (See page 17)

# Limited Warranty

## What is covered and for how long?

This warranty covers all defects in workmanship or materials for a period of:

- 12 months for labor
- 12 months for parts (Functional Parts Only)
- 5 years for sealed system

The warranty commences on the date of item purchase. Customer shall provide Haier with proof of the date of purchase, brand, model and serial number for verification prior to any warranty service being provided.

**EXCEPTIONS:** Commercial or Rental Use warranty

- 90 days for labor
- 90 days for parts
- No other warranty applies

## What is covered/Not covered?

1. The mechanical and electrical parts of the appliance which serve the functional purpose of this appliance are covered for a period of 12 months. This includes all parts except finish and trim.
2. Manufacturing defects to the components of the sealed system (e.g. hermetic compressor, condenser and evaporator) are covered for a period of 5 years from the date of purchase. Any damages to such components caused by mechanical abuse, improper handling or shipping will not be covered.
3. The limited warranty does not cover any credit or refund for any loss or injury caused by the product or defects to the product including but not limited to incidental or consequential damages.

## What will be done?

1. Any mechanical or electrical part that proves to be defective in normal usage during the specified warranty period will be repaired or replaced at Haier's discretion. A&E factory service is the authorized service provider for Haier. If it is determined that repair is not appropriate or replacement part is unavailable for repair, Haier will exchange the product with a refurbished or new product the same or similar to the original at its discretion.
2. There will be no charge to the purchaser for functional replacement parts and labor on any covered items during the initial 12- month period. Beyond this period, only the components of the sealed system are covered, labor is not provided and must be paid for by the customer.
3. To have your product serviced, please contact Haier customer service 1-877-337-3639.

## THIS WARRANTY COVERS APPLIANCES WITHIN THE CONTINENTAL UNITED STATES, PUERTO RICO AND CANADA. IT DOES NOT COVER

### THE FOLLOWING:

Damages from improper installation.  
Damages incurred during shipping.  
Defects other than manufacturing.  
Damage from misuse, abuse, accident, alteration, lack of proper care and maintenance or incorrect current or voltage.

Damage from other than household use.  
Damage from service by other than an authorized dealer or service center.  
Decorative trims or replaceable light bulbs.  
Transportation and shipping.  
Labor (after the initial 12 months).  
Credit or Refund for products over 30 days past date of purchase  
Food loss for food spoiled as a direct result of mechanical failure of the product or of any delay in providing service, repair, replacement. This limited warranty doesn't apply to refurbished product or unit purchased as/like new or second-hand.  
THIS LIMITED WARRANTY IS GIVEN IN LIEU OF ALL OTHER WARRANTIES, EXPRESSED OR INCLUDING THE WARRANTIES OF MERCHANTABILITY AND FITNESS FOR A PARTICULAR PURPOSE  
The remedy provided in this warranty is exclusive and is granted in lieu of all other remedies.

This warranty does not cover incidental or consequential damages, so the above limitations may not apply to you. Some states do not allow limitations on how long an implied warranty lasts, so the above limitations may not apply to you.  
This warranty gives you specific legal rights, and you may have other rights, which vary from state to state.

Haier America Trading L.L.C.  
New York, NY 10018.  
1-877-337-3639