

This Owner's Manual is provided and hosted by [Appliance Factory Parts](#).



# Haier BPC14CJ Owner's Manual

[Shop genuine replacement parts for Haier BPC14CJ](#)



[Find Your Haier Air Conditioner Parts - Select From 735 Models](#)

----- Manual continues below part list -----

## Available Replacement Parts for Haier BPC14CJ

<a href="#">WJ65X23664</a>	Plate1 Hole and 1 without hole
<a href="#">WJ65X23751</a>	LONG PLATE (NO HOLES)
<a href="#">P67904053</a>	HEAT EXT HOSE, 5" diameter
<a href="#">P67904055</a>	HEAT EXHAUST FIXTURE
<a href="#">WJ26X24141</a>	P.C.B. - CONTROL BOA
<a href="#">A3701-380</a>	Cord - Power
<a href="#">WJ01X22325</a>	CASTERS
<a href="#">WJ53X22347</a>	INCREASER
<a href="#">WJ01X24684</a>	WHEEL - BLOWER CONDE
<a href="#">A5304-310-A-22</a>	Blower Wheel
<a href="#">WJ01X23760</a>	USE NLA ITEM SCREW COMPLETE BAG
<a href="#">WJ20X24140</a>	CAPACITOR
<a href="#">WJ65X23753</a>	PLATE - SOLID
<a href="#">WJ01X24007</a>	CAP
<a href="#">WJ73X24144</a>	BLADE
<a href="#">WJ01X24015</a>	PLUG - DRAIN

Please Read and Save this Use & Care Book

Por favor lea este instructivo antes de usar el producto

Veillez lire et conserver ce guide d'entretien et d'utilisation

 **BLACK & DECKER®**

**PORTABLE AIR CONDITIONER**

**CLIMATISEUR PORTATIF**

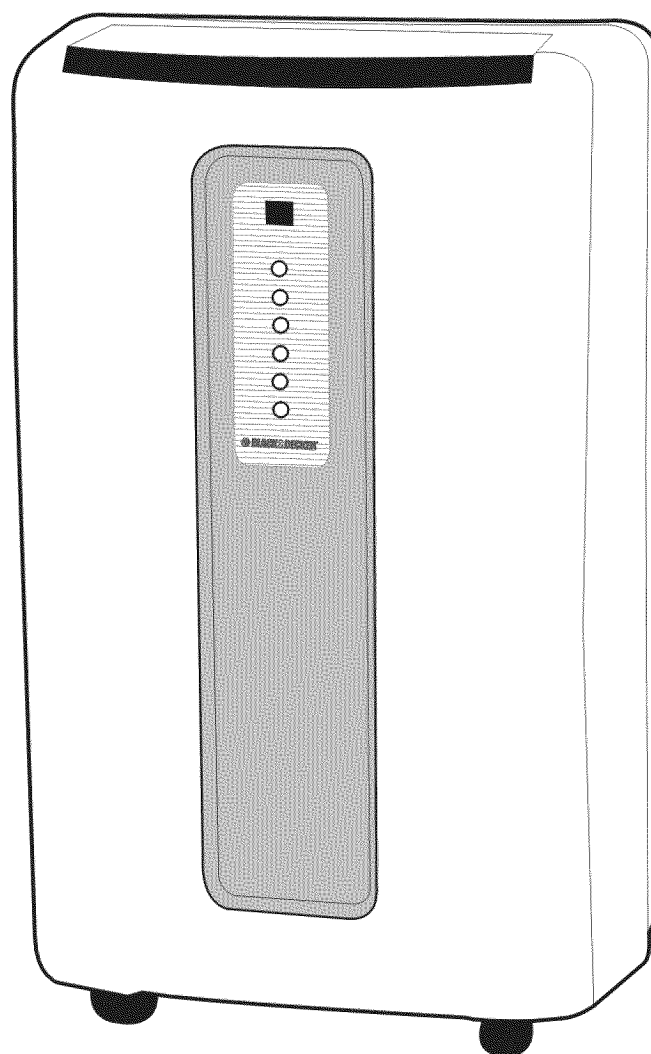
**ACONDICIONADOR DE AIRE PORTATIL**

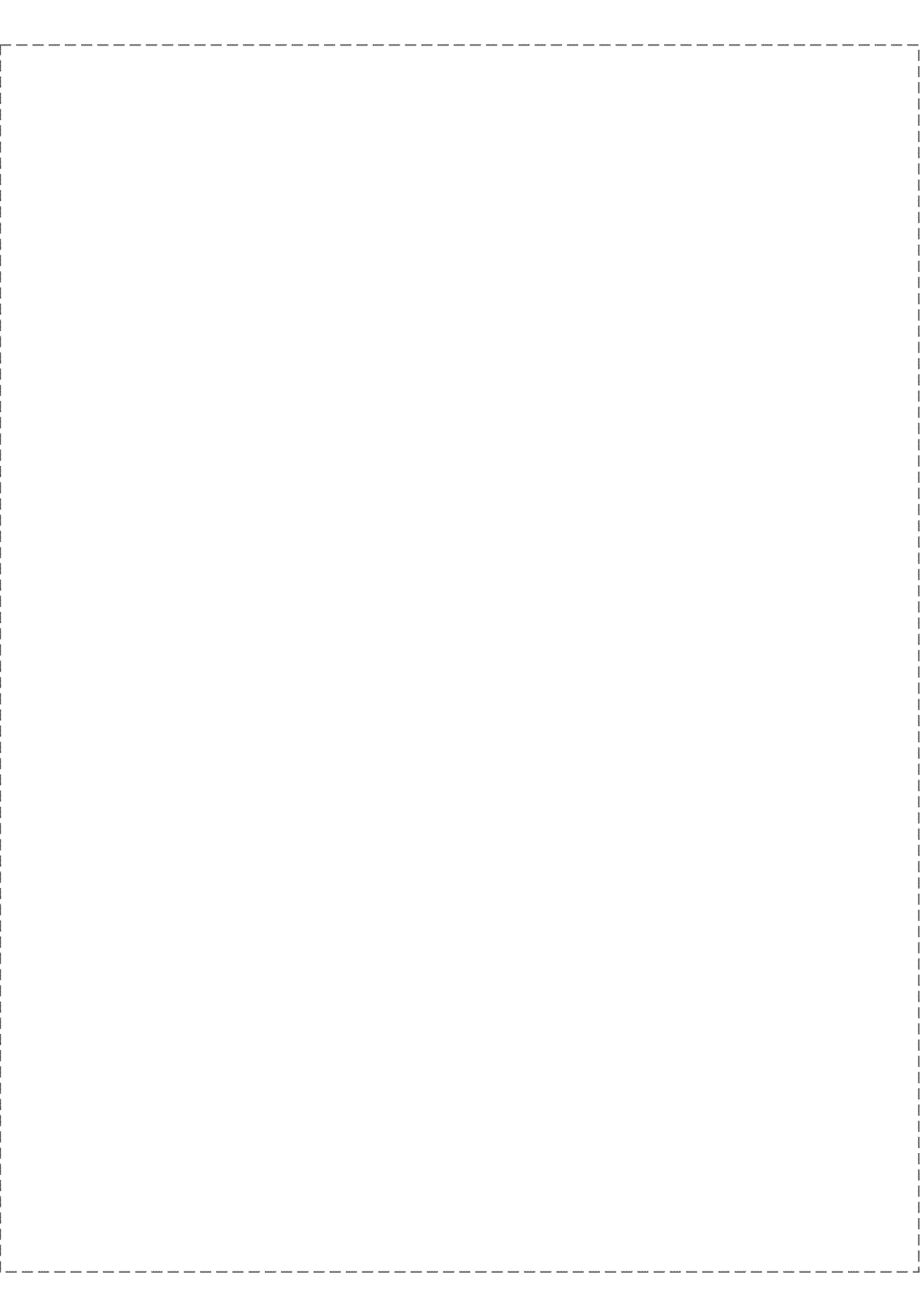
**Models**

**Modelos**

**Modèles**

**□ BPC14CJ**





# Product Registration

## Record Your Model and Serial Number.

Attach the sales receipt to this guide and keep for future reference. Model and serial number can be obtained from the serial label, which is on your air conditioner. For all your service calls during the warranty period, the following information will be needed:

Model Number: .....

Serial Number: .....

Date of Purchase: .....

Dealer's Name: .....

Dealer's Address: .....

Dealer's Phone Number: .....

# SAFETY PRECAUTIONS



**WARNING:** Read all of the instructions before using this appliance. When using this appliance, always exercise basic safety precautions, including the following:

- ▲ 1) Air conditioner must be connected to proper electrical outlet with the correct electrical supply.
- ▲ 2) Proper grounding must be ensured to reduce the risk of shock and fire. **DO NOT CUT OR REMOVE THE GROUNDING PRONG.** If you do not have a three-prong electric receptacle outlet in the wall, have a certified electrician install the proper receptacle. The wall receptacle **MUST** be properly grounded.
- ▲ 3) Do not operate the air conditioner if the power cord is frayed or otherwise damaged. Avoid using it if there are cracks or abrasion damage along the length, plug connector or if the unit malfunctions or is damaged in any manner. Contact an authorized service technician for examination, repairs or adjustments.
- ▲ 4) **DO NOT USE AN ADAPTER OR AN EXTENSION CORD.**
  - 5) Do not block airflow around the air conditioner. The exhaust hose should be free of any obstructions.
  - 6) Always unplug the air conditioner before servicing it or moving it.
  - 7) Do not install or use the air conditioner in any area where the atmosphere contains combustible gases or where the atmosphere is oily or sulphurous. Avoid any chemicals coming in contact with your air conditioner.
  - 8) Do not place any object on the top of the unit.
  - 9) Never operate the air conditioner without the filters in place.
  - 10) Do not use the air conditioner near a bathtub, shower or wash basin.

## SAVE THESE INSTRUCTIONS

**CAUTION!** If the air conditioner has been placed in a horizontal or tilted position for any period of time, wait 24 hours before plugging the unit in.

# Important Instructions

- Please keep this manual in a safe place.
- Do not use liquid or a spray to clean this product. Use a damp cloth.
- Do not place the product in an insecure or elevated place as it may fall and cause damage or injury.
- Never spill liquid on the control panel; it may cause electrical shock to the electronic parts inside and disable them or cause them to function improperly.
- Never try to dismantle the product by yourself as this will void the warranty. Unsupervised dismantling and incorrect reassembly of the inside of the back cover may damage the electrical circuit and affect its performance. When maintenance is required, please contact the local service center or local distributor.

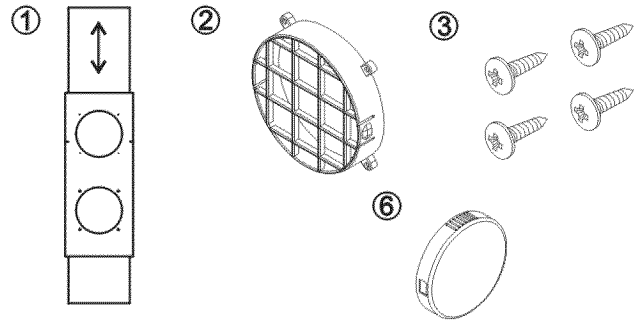
## Advantages of this Model

1. This model is easy to operate. The electronic control panel has a timer, thermostat, three cooling speeds, three fan speeds and one speed dehumidification function.
2. In cooling mode, this portable air conditioner does not require water to be removed. The unit has a unique design which continuously evaporates the water.
3. An easy-to-install window kit is included, which consists of the exhaust hose, 2 hose nozzles, the window panel kit, exhaust hose connector and cover for the exhaust hose connector.
4. Full directional casters are included to help move the unit as needed.
5. The filter screen is designed for easy accessibility of the filter.
6. Portable air conditioners are easy to store when not in use.

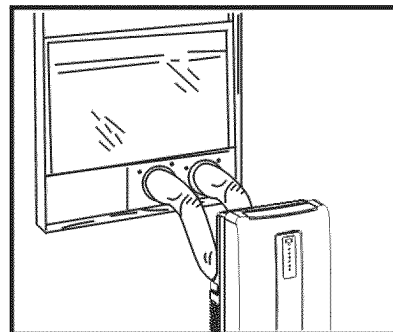
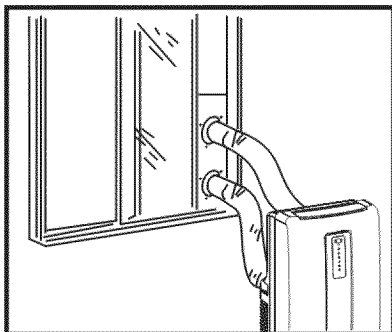
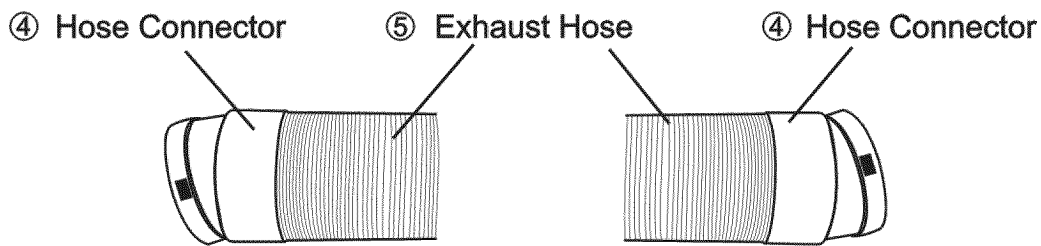
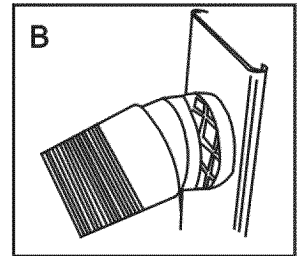
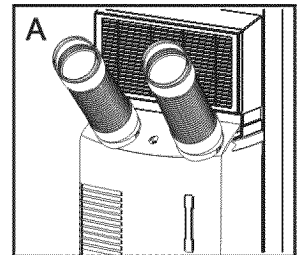
# Assembly and Installation

## Accessories Include

- 1. Plastic panel - from 20" up to 46" ... 3 Pieces
- 2. Window panel adaptor ..... 2 piece
- 3. Screws..... 4 pieces
- 4. Exhaust hose connector ..... 4 pieces
- 5. Exhaust hose ..... 2 piece
- 6. Cover ..... 2 piece

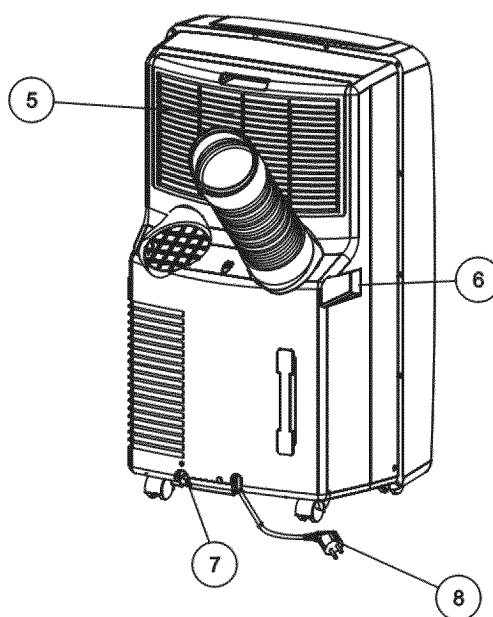
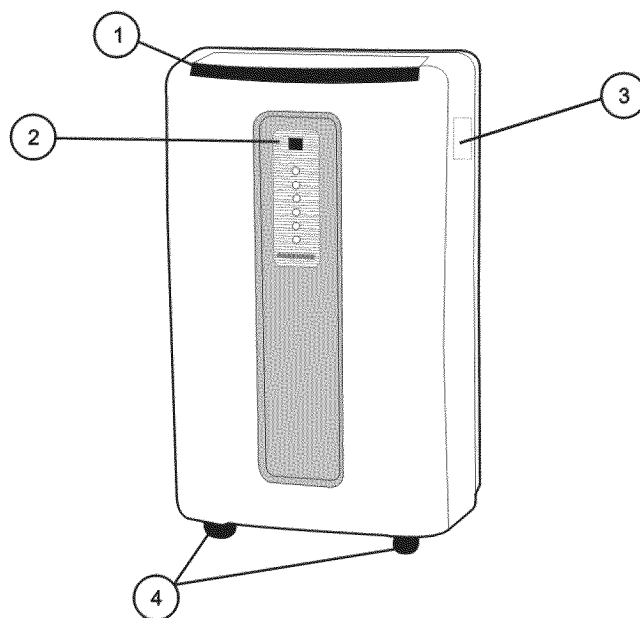


1. Adjust the plastic panel to the width or height of your window and tighten the 2 screws that are attached to the panel.
2. Push the round window panel adaptor through the rear of the plastic panel. Line up the holes and tighten the adaptor with 4 screws that are included in the kit (tighten screws from the front).
3. Install the window plastic panel into the window. If necessary, use duct tape to better secure the panel.
4. Connect the exhaust hose to the unit by inserting the hose connector that is attached to the hose into the exhaust.
5. Move the unit to the window, extend the hose and attach the other end of the hose to the window. Align the tabs on the hose and window panel adapters and fasten them together.
6. Plug the power cord into the wall outlet to prepare for operation.

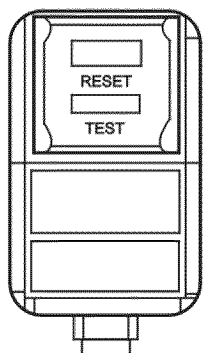


# Parts and Features

1. Air Outlet
2. Control Panel
3. Magnetic Remote Control Storage
4. Casters
5. Air Filter
6. Handle
7. Water Drain
8. Power Cord



## POWER CORD



**TEST:** When this button is pressed or when there is a current leak, the unit will not operate.

**RESET:** After resolving the problem, press the reset button to resume operation.

# Operation

**NOTE:** Wait 24 hours before turning on the air conditioner if the unit has been tilted for any reason. This allows the oils and the coolants to settle and level off.

## BEFORE USE

1. Use an 115V, 15Amp outlet for the air conditioner. Do not use any other electrical appliances on this line or you may trip the fuse. Use a dedicated line for this air conditioner.
2. Do not place the air conditioner in direct sunlight or close to any heating appliances (ie., baseboard heaters, stoves, etc.)
3. Operate on a flat surface only.
4. Keep the unit free of any obstructions such as drapes, curtains, blinds, etc.
5. Keep unit at least 1 foot away from the wall.

## DURING USE

1. When turning on the unit for the first time after plugging it into an electrical outlet, the unit will start in a high fan cooling mode. The temperature display on the LED will show the current room temperature. When turning on the unit during regular usage, it will remember the last setting used. If you want to operate the air conditioner as a dehumidifier, then adjust to dehumidification mode.
2. After a normal shut down, wait for 3 minutes before restarting the unit so as to complete the compressor cycle.
3. In cooling mode, this portable air conditioner does not require water to be removed. The unit has a unique design which continuously evaporates the water. In heating mode, or when the unit is operated in high humidity conditions, you may need to empty the water pan periodically, since the auto-evaporation function does not operate in heat mode. The unit will shut down automatically when the water pan is full and the "Tank Full" warning light will turn on.

Emptying the water tank: Place a shallow pan below the drain plug located on the back of the unit (near the bottom of the air conditioner), remove plug, and drain the water pan completely. Re-insert the drain plug. You will then be able to restart your portable air conditioner.

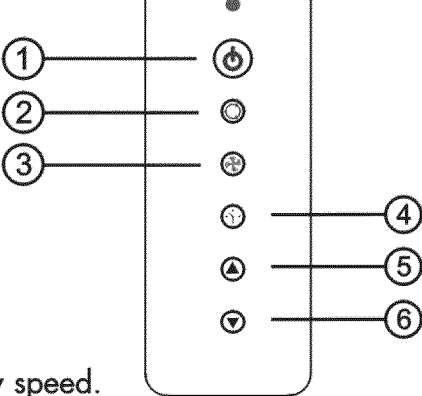






4. Check and clean the filter once every week for highest efficiency.

**NOTE:** Do not operate unit without filter.

## AFTER USE

1. If the unit is not being used for a long period of time, remove the plug from the water drain and drain out any condensed water. Please see the "Storage" section on page 10 for more information.

# Control Panel Operation

- 
- ①  **Power On / Off**
- ②  **Mode:** Press this button to change the operation mode.  
Cool: Blue LED lights when in cooling mode.  
Dehumidification: Yellow LED lights when in dehumidification mode.  
Fan: Green LED lights when in fan mode.
- ③  **Fan Speeds:** There are 3 speeds in the cool and fan modes: Low, Medium, High.  
In the dehumidification mode, the fan will only operate at low speed.
- ④  **On / Off Timer:** The timer can be used to automatically turn on or off the air conditioner.  
To automatically turn on the air conditioner, set the timer while the power control is in the OFF position.  
1. Turn off the air conditioner.  
2. Press the Timer button.  
3. Press the (▲) or (▼) button to change the delay start time from 1 to 24 hours.  
4. The delay start time will display on the control panel.  
  
To automatically turn off the air conditioner, set the timer while the power control is in the ON position.  
1. Turn on the air conditioner.  
2. Press the Timer button.  
3. Press the (▲) or (▼) button to change the delay stop time from 1 to 24 hours.  
4. The delay stop time will display on the control panel.  
  
To clear the timer setting:  
1. The power control can be either in the on or off position.  
2. Press the Timer button.  
3. Press and hold the (▼) button until the timer display has been cleared.
- ⑤  **Time / Temperature Set Control:** The (▲) and (▼) buttons can be used for adjusting the timer and temperature settings.
- ⑥  To set the timer: See "On / Off Timer" instructions above.  
  
To set the temperature: While in the Cool mode, press the (▲) or (▼) button to raise or lower the temperature. The set temperature is displayed and may be adjusted. The temperature can be set between 61° F and 89° F. After 15 seconds the display will revert back to the room temperature.  
**NOTE:** The temperature cannot be adjusted in the fan or dehumidification modes.
- ⑦ When the red indicator (on the right top side beside LED display) flashes, the internal water tank has filled with condensed water and the air conditioner will turn off automatically. See the "Storage" section on page 10 for directions on draining the water from the air conditioner.

# Remote Control Operation

## ① Power On / Off

## ② Mode

**Cool:** Blue LED lights when in cooling mode.

**Dehumidification:** Yellow LED lights when in dehumidification mode.

**Fan:** Green LED lights when in fan mode.

## ③ Fan Speeds

There are 3 adjustable speeds in the cool and fan mode: Low, Medium and High. In dehumidification mode, and room temperature is greater than 77°F, fan speed can be adjusted; otherwise fan speed is fixed to "low."

## ④ On / Off Timer

**To set the Timer for a 1 to 24-hour delay until the air conditioner turns off:**

1. When you use the timer setting button while the unit is operating, you can preset a time for the unit to turn off.
2. When you use the timer setting button while the unit is on standby, you can present a time for the unit to turn on.
3. If you press the "ON/OFF" button, the preset timer function will be cancelled.
4. Timer setting range is 1~24 hours.

**To clear Timer Delay program:**



**NOTE:** Air conditioner can be either on or off.

1. Press the Timer button.
2. Press and hold the minus button until the timer display has cleared.

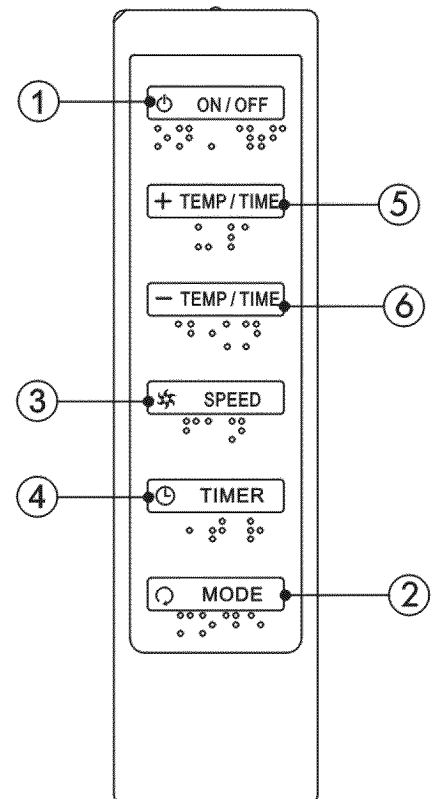
**To change the remaining time (in hours):**

1. Press the Timer button.
2. Press the plus or minus button to change the delay time from 1 to 24 hours.
3. The new delay time will display.

## ⑤ ⑥ Setting the Temperature

To set the temperature, press the  or  key to raise or lower the temperature. The temperature can be raised or lowered in the cool mode. The temperature cannot be adjusted in fan or dehumidification mode.

**NOTE:** The temperature can be set between 61°F to 89°F.



**▲ WARNING:** Batteries can explode, or leak, and can cause injury or re.

**To reduce the risk:**

Carefully follow all instructions and warnings on the battery label and packaging.

Always insert batteries correctly with regard to polarity (+ and -) marked on the battery and the equipment.

Do not short battery terminals.

Do not charge batteries.

Do not mix old and new batteries.

Replace all of them at the same time with new batteries of the same brand and type.

Remove dead batteries immediately and dispose of per local codes.

Do not dispose of batteries in re.

Keep batteries out of the reach of children.

Remove batteries if the device will not be used for several months.

## Care and Cleaning Guide

- Always unplug your air conditioner before cleaning.
- Air filter needs to be cleaned at least once a week for your unit to operate at optimum efficiency. Slide out the filter from the back by pulling on the tab. The filter may be washed or vacuumed. Remove the excess water from the filter by gently shaking the filter. This will remove dust and particles trapped in the filter. After cleaning, reinstall the filter. **DO NOT** use your air conditioner without the air filter in place.
- To clean the cabinet, **DO NOT** use harsh chemicals, abrasives, ammonia, chlorine, bleach, concentrated detergents, solvents or metal scouring pads. Some of these chemicals may dissolve, damage and/or discolor your air conditioner.
- Always use a soft cloth dampened with water or a mild soap and water solution to wipe the front of the cabinet. Wipe dry with a soft cloth.

# Storage

- To store your air conditioner when not being used for a long period of time, drain condensed water using the drain pipe. Remove exhaust hose, clean the filters, cover with plastic bag and store away.

# Troubleshooting

## **If air conditioner does not operate:**

- Check if unit is plugged in. The plug may have come loose.
- Press "Reset" button on the plug to resume operation.
- Check if the electrical wall receptacle is the proper voltage.
- Check if the circuit breaker needs to be reset or if the fuse needs to be replaced.
- Check if the unit is in "Off" mode.
- If the warning light is on, drain the water drain pipe by removing the plug.

## **Air conditioner working but room not cooling:**

- Room may have appliances that produce heat. Use an exhaust fan to remove excess heat.
- Check exhaust hose for proper installation.
- Redirect the airflow. Remove any obstacles.
- All doors and windows need to be closed so that cool air does not escape the room.
- Air filter may be blocked or may need cleaning.
- Unit BTU may be too low for the required cooling area.
- On extremely hot & humid days, air conditioners may take a little longer to cool.
- Drain the water drain pipe by removing the plug.
- Unit may be in fan or dry mode. Put air conditioner in cool mode.

## **Tank Full Warning Light Is On:**

- Unit will shut down when the water pan is full. This condition may occur either when the unit is operated in high humidity conditions, or when the unit is operated in HEAT MODE, since the auto-evaporation function will not work in the heating mode. See instructions in the "Operation" section under "During use".

# Limited Warranty

## What is covered and for how long?

This warranty covers all defects in workmanship or materials for a period of:

**1 year parts (carry in only)**

**1 year labor (carry in only)**

**5 years sealed system  
(carry in only)**

The warranty commences on the date the item was purchased and the original purchase receipt must be presented to the authorized service center before warranty repairs are rendered.

## **EXCEPTION: Commercial or Rental Use Warranty**

**90 days labor (carry-in only)**

**90 days parts**

**No other warranty applies**

## What is covered.

1. The mechanical and electrical parts, which serve as a functional, purpose of this appliance for a period of 1 year. This includes all parts except finish, and trim.
2. The components of the sealed system e.g. hermetic compressor, condenser and evaporator from manufacturing defects for a period of 5 years from the date of purchase. Any damages to such components caused by mechanical abuse or improper handling or shipping will not be covered.

## What will be done?

1. We will repair or replace, at our discretion any mechanical or electrical part which proves to be defective in normal usage during the warranty period so specified.
2. There will be no charge to the purchaser for parts and labor on any covered items during the initial 1 year period. Beyond this period only parts are covered in the remaining warranty. Labor is not provided and must be paid by the customer.
3. Contact customer service:  
1-866-927-4833.

## **THIS WARRANTY COVERS APPLIANCES WITHIN THE CONTINENTAL UNITED STATES, PUERTO RICO AND CANADA. IT DOES NOT COVER THE FOLLOWING:**

Damages from improper installation.

Damages in shipping.

Defects other than manufacturing.

Damage from misuse, abuse, accident, alteration, lack of proper care and maintenance or incorrect current or voltage.

Damage from other than household use.

Damage from service by other than an authorized dealer or service center.

Decorative trims or replaceable light bulbs.

Transportation and shipping.

Labor (after the initial 1 year).

**THIS LIMITED WARRANTY IS GIVEN IN LIEU OF ALL OTHER WARRANTIES, EXPRESSED OR, INCLUDING THE WARRANTIES OF MERCHANTABILITY AND FITNESS FOR A PARTICULAR PURPOSE**

The remedy provided in this warranty is exclusive and is granted in lieu of all other remedies.

This warranty does not cover incidental or consequential damages, so the above limitations may not apply to you. Some States do not allow limitations on how long an implied warranty lasts, so the above limitations may not apply to you.

This warranty gives you specific legal rights, and you may have other rights, which vary, from state to state.

New York, NY 10018

# Registration du Produit

## Registrez le model et numero de serie.

Pour tous vos appels de service pendant la periode de votre garantie, les informations suivantes vous seront necessaries. Attachez le recu de ventes a ce guide et garder pour la reference d'avenir. Cette information peut etre obtenue de la plaque en serie, qui est sur votre climatiseur.

Numero du model:.....

Numero de serie:.....

Date d'achats: .....

Nom du negociant: .....

Addressed u negociant:.....

Numeros de telephone du negociant:.....

# CONSIGNES DE SÉCURITÉ



**AVERTISSEMENT:** Veuillez suivre ces précautions de base lorsque vous utilisez l'appareil afin de réduire tout risque d'incendie, d'électrocution, de blessure, voire de mort.

- ▲ 1) Le climatiseur doit être branché au niveau d'une prise électrique d'une tension adéquate. (voir tableau)
- ▲ 2) L'appareil doit être mis à la terre (masse) afin de réduire tout risque d'électrocution et d'incendie. **NE PAS COUPER NI RETIRER LA BROCHE DE MASSE.** Si votre prise murale ne peut accueillir une fiche à trois broches, veuillez faire en sorte qu'un électricien qualifié en installe une. La prise murale **DOIT** être mise à la masse.
- ▲ 3) Ne pas utiliser l'appareil si le cordon d'alimentation est effiloché ou fissuré, si la fiche et le connecteur sont endommagés, ou si l'appareil présente une panne ou est endommagé d'une façon quelconque.
- ▲ 4) **NE PAS UTILISER UN ADAPTATEUR OU UNE RALLONGE.**
  - 5) Ne pas gêner ni bloquer le flux d'air autour de l'appareil et que rien ne bouche le tuyau de sortie.
  - 6) Débrancher toujours le climatiseur avant de le déplacer ou d'effectuer opération de maintenance.
  - 7) Ne pas installer le climatiseur dans un endroit où l'atmosphère est huileuse ou présente des gaz combustibles ou du soufre. Éviter que les produits chimiques entrent en contact avec le climatiseur.
  - 8) Ne placer aucun objet sur le climatiseur.
  - 9) Ne jamais utiliser le climatiseur sans les filtres.
  - 10) Ne pas utiliser le climatiseur à proximité d'une baignoire, d'une douche ou d'un lavabo ou évier.

## CONSERVEZ CES INSTRUCTIONS

**ATTENTION:** Si le climatiseur a été gardé sur son côté ou penché pendant un laps de temps, attendre 24 heures avant de brancher l'appareil.

# Instructions Importantes

- Veuillez conserver ce manuel en lieu sûr.
- N'utilisez pas de liquide ou de spray pour nettoyer ce produit. Utilisez un chiffon humide.
- Ne placez pas ce produit dans un lieu peu sûr ou élevé car il peut tomber et causer des dommages ou des blessures.
- Ne renversez pas du liquide sur la télécommande, cela peut causer un choc électrique aux pièces électroniques à l'intérieur et les rendre inactives ou les faire fonctionner de façon incorrecte.
- N'essayez jamais de désassembler le produit vous-même. Un désassemblage sans supervision et un réassemblage incorrect de l'intérieur du couvercle arrière peut endommager le circuit électrique et peut avoir des conséquences sur ses performances. S'il y a un besoin de maintenance, veuillez contacter le centre de service local ou le distributeur local.

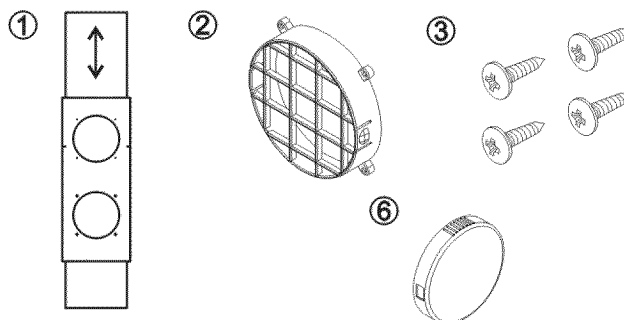
## Avantages de ce Model

1. Design unique à double tuyau, fournissant un refroidissement plus puissant et plus rapide que le design à tuyau unique.
2. En mode refroidissement, le climatiseur mobile ne nécessite pas d'eau pour être enlevé. L'appareil a un design unique qui s'évapore en permanence la eau.
3. Ce modèle est facile à faire fonctionner. Le tableau de commande électronique a une minuterie, un thermostat, trois vitesses de refroidissement, trois vitesses de ventilation et une vitesse pour la fonction déshumidification (sec).
4. Ce climatiseur portatif n'a pas besoin que de l'eau soit ajoutée.
5. Cette unité a un design unique qui évapore l'eau. Donc il n'y a pas de réservoir de condensation et pas besoin de vider un réservoir la nuit.
6. Un kit pour la fenêtre, facile à installer, est inclus, comprenant le tuyau d'évacuation, 2 buses de tuyau, le kit de panneau pour la fenêtre, le connecteur du tuyau d'évacuation et le couvercle pour le connecteur du tuyau d'évacuation.
7. Des roulettes entièrement directionnelles sont incluses pour aider à déplacer l'unité si besoin est.

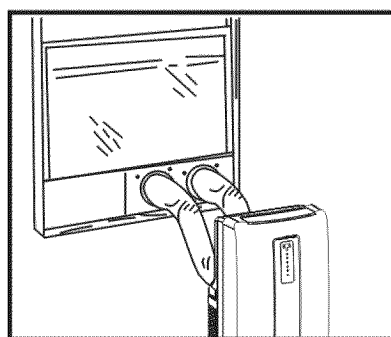
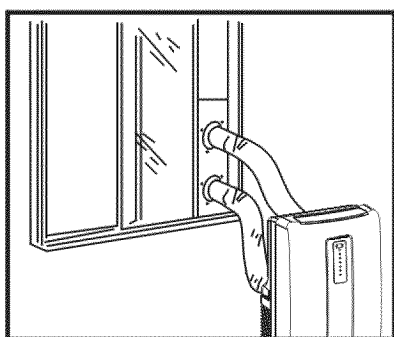
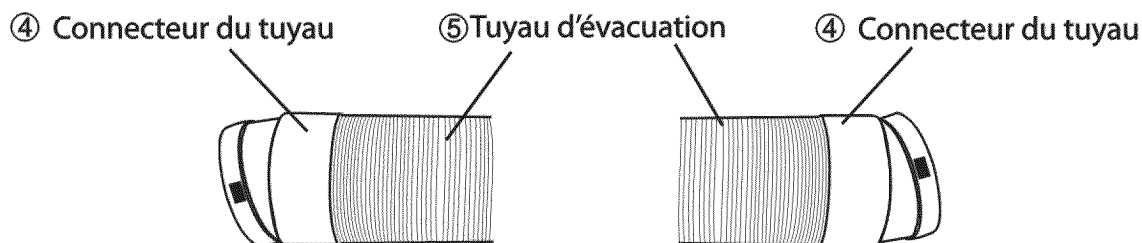
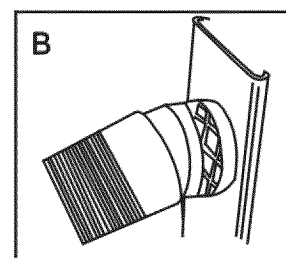
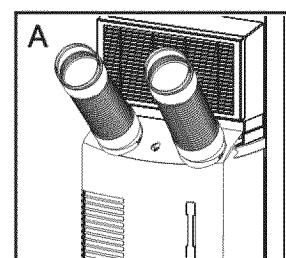
# Assemblee et Installation

## Les accessoires inclus

- 1. Panneau en plastique - De 20" (50 cm) jusqu'à 46" (116 cm) ..... 3 pièces
- 2. Adaptateur du vitrage ..... 2 pièce
- 3. Vis ..... 4 pièces
- 4. Connecteur du tuyau d'évacuation... 4 pièces
- 5. Tuyau d'évacuation ..... 2 pièce
- 6. Couvercle ..... 2 pièce

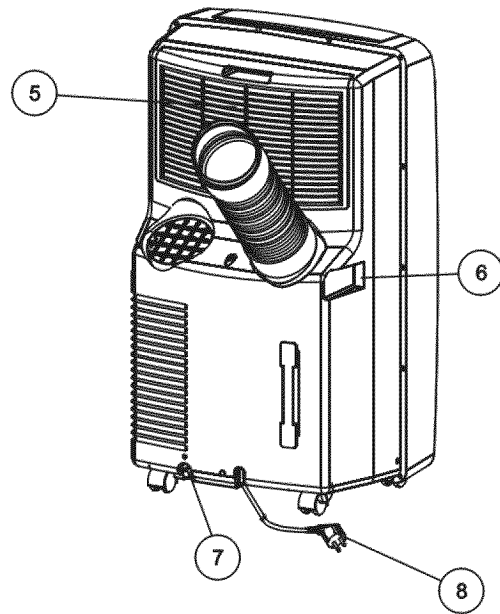
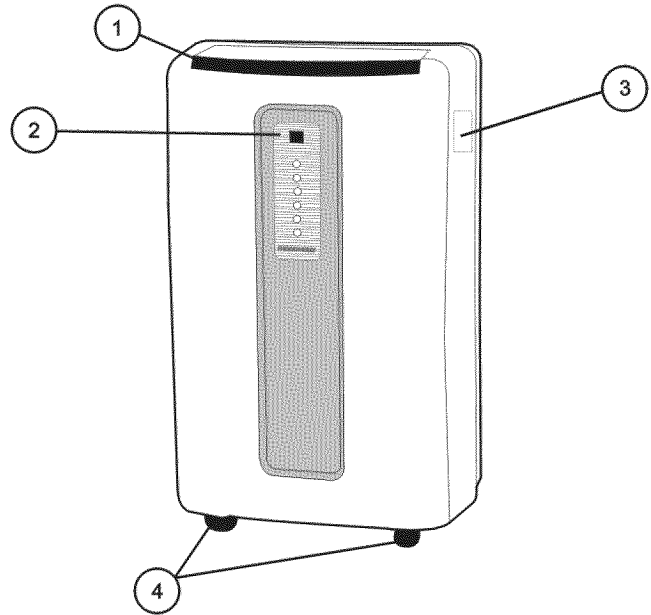


1. Ajustez le panneau en plastique à la largeur ou la hauteur de votre fenêtre et serrez les 2 vis qui sont attachées au panneau.
2. Appuyez sur l'adaptateur rond du vitrage par l'arrière du panneau en plastique. Alignez les trous et serrez l'adaptateur avec 4 vis qui sont incluses dans le kit. (Serrez les vis de l'avant.)
3. Installez le panneau en plastique à la fenêtre. Si nécessaire, utilisez du scotch pour bien sécuriser le panneau.
4. Connectez le tuyau d'évacuation à l'appareil en insérant le connecteur du tuyau qui est attaché au tuyau dans l'échappement.
5. Déplacez l'appareil vers la fenêtre, allongez le tuyau et attachez l'autre extrémité du tuyau à la fenêtre. Alignez les languettes sur les adaptateurs du tuyau et de la vitrine et attachez-les ensemble.
6. Branchez dans la prise murale pour commencer le fonctionnement.

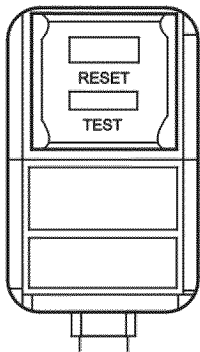


# Parties et Caractéristiques

1. Bouche d'aération
2. Tableau de commande
3. Support de la télécommande
4. Roulettes
5. Filtre à air
6. Poignée
7. Tuyau d'écoulement de l'eau
8. Cordon d'alimentation



## CORDON D'ALIMENTATION



TEST: LORSQUE CE BOUTON EST APPUYÉ OU QUAND IL Y A UNE FUITE DE COURANT, L'APPAREIL NE FONCTIONNERA PAS.

RÉINITIALISATION: APRÈS AVOIR RÉGLÉ LE PROBLÈME, APPUYEZ SUR LE BOUTON DE RÉINITIALISATION POUR REPRENDRE LE FONCTIONNEMENT.

# Fonctionnement

**NOTE:** Attendez 24 heures pour mettre le climatiseur en marche si l'appareil a été penché pour quelque raison que ce soit. C'est nécessaire pour que les huiles et les liquides de refroidissement se mettent en place et se stabiliser.

1. Après avoir éteint l'appareil normalement, attendez 3 minutes avant de le remettre en marche afin de terminer le cycle du compresseur.
2. Utilisez une prise de courant de 115v/15amp pour le climatiseur. N'utilisez pas d'autres appareils électriques sur cette ligne ou vous risquez de faire sauter le fusible. Utilisez une ligne dédiée à ce climatiseur.
3. Ne placez pas le climatiseur en contact direct avec la lumière du soleil ou près d'appareils de chauffage (comme les plinthes électriques, les cuisinières, etc.)
4. Faites uniquement fonctionner sur une surface plane.
5. Faites en sorte qu'il n'y ait pas d'obstruction de rideaux, drapés et les stores, etc.
6. Gardez l'appareil à une distance d'au moins 1 pied (30 cm) du mur.
7. Vérifiez et nettoyez le filtre une fois par semaine pour une efficacité maximale.

**NOTE:** N'utilisez pas cet appareil sans filtre.

8. Si l'appareil n'est pas utilisé pendant longtemps, retirez le bouchon du tuyau d'évacuation d'eau et videz toute eau condensée.

Quand vous allumez l'appareil pour la première fois après l'avoir branché dans une prise de courant, l'appareil commencera en mode de ventilation de refroidissement bas. La température qui sera affichée sur l'écran LCD sera la température ambiante. Lorsque vous allumez l'appareil en usage normal, l'appareil se souviendra du dernier réglage utilisé. Si vous voulez faire fonctionner le climatiseur comme un déshumidificateur, réglez-le en mode déshumidification.

## LORS DE L'UTILISATION:

1. En mode refroidissement, ce climatiseur portable n'a pas besoin d'être vidé de son eau. L'appareil au design unique évapore continuellement l'eau.
2. En mode chauffant, ou dans des conditions particulièrement humides, vous pouvez avoir besoin de vider l'eau périodiquement, étant donné que la fonction d'auto-évaporation ne fonctionne pas en mode chauffant. L'appareil s'arrêtera automatiquement quand le bassin à eau est plein et l'indicateur <<Tank Full >> s'allumera.

## Pour vider le bassin:

Placez une contenant peu profond sous le bouchon d'évacuation qui se trouve à l'arrière du climatiseur près du bas de l'appareil, enlevez le bouchon et vider le bassin complètement. Remettre le bouchon. Vous pourrez donc, à ce moment, rallumer le climatiseur.

## APRÈS USAGE:

Si l'appareil ne sera pas utilisé pendant un certain temps, enlevez le bouchon d'évacuation et vider l'eau condensée. Voir la section <<Entreposage>> pour plus d'information.

# Fonctionnement tableau de commande

## ① Marche/Arrêt

## ② Mode: Appuyez sur le bouton mode pour le réglage désiré.

**Refroidissement:** Bleu LED s'allume quand en mode de refroidissement.

**Déshumidification:** Jaune LED s'allume lorsqu'il est en mode déshumidification.

**Ventilateur:** Vert LED s'allume lorsqu'il est en mode ventilateur.

## ③ Vitesses de ventilation Il y a 3 vitesses ajustables dans le mode refroidissement et ventilation: Low, Medium et High (Bas, Moyen et Fort). En mode déshumidification Si la température ambiante est supérieure à 25°C la vitesse du ventilateur peut être ajustée, sinon le ventilateur est fixé sur (Bas).

## ④ Marche/Arrêt de la minuterie Pour régler la minuterie pour un arrêt différé entre 1h et 24 heures jusqu'à ce que le climatiseur ne s'éteigne :

1. Lorsque vous utilisez le bouton de réglage de la minuterie lorsque l'appareil est en marche vous pouvez prérégler l'heure à laquelle vous voulez que l'appareil s'arrête.
2. Lorsque vous utilisez le bouton de réglage de la minuterie lorsque l'appareil est en stand-by vous pouvez prérégler l'heure à laquelle vous voulez que l'appareil s'arrête.
3. Si vous appuyez sur le bouton « Marche/Arrêt » la fonction minuterie préréglée sera annulée.
4. La minuterie est comprise entre 1 et 24 heures.

### Pour effacer le programme de Timer Delay:



**NOTE:** Le climatiseur peut être allumé ou éteint.

1. Appuyez sur le bouton Timer.
2. Appuyez et laissez votre doigt sur le bouton moins jusqu'à ce que la minuterie soit effacée.

### Pour changer la durée restante (en heures):

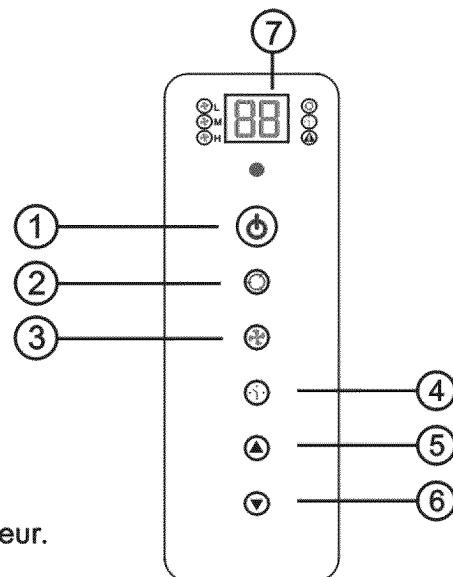
1. Appuyez sur le bouton Timer.
2. Appuyez sur les boutons plus ou moins pour changer temps différé d'1 jusqu'à 24 heures.
3. Le nouveau temps différé s'affiche

## ⑤ ⑥ Réglage de la température





Pour régler la température, appuyez sur la touche  ou la touche  pour augmenter ou diminuer la température. La température peut être augmentée ou diminuée dans le mode refroidissement. La température ne peut être ajustée en mode ventilation ou déshumidification. Appuyez sur 5 et 6 simultanément pour passer de °F à °C et vice-versa.





**NOTE:** La température peut être réglée entre 61°F (16°C) à 89°F (32°C)

## ⑦ Lorsque l'indicateur rouge (côté supérieur droit, près de l'affichage LED) clignote, le bac à eau interne s'est rempli d'eau condensée et le climatiseur s'éteint automatiquement. Voir la section « Entreposage » sur la page 10 pour les instructions sur comment vider l'eau du climatiseur.

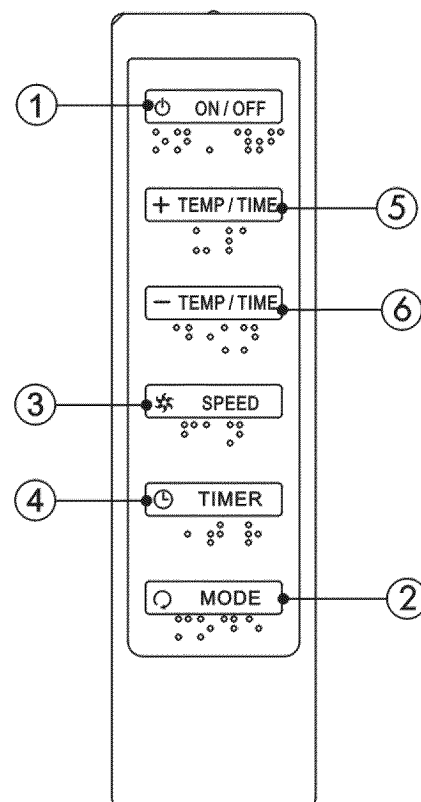


# Fonctionnement télécommande

- ①  **Marche/Arrêt**
- ②  **Mode:** Appuyez sur le bouton mode pour le réglage désiré.  
**Refroidissement:** Bleu LED s'allume quand en mode de refroidissement.  
**Déshumidification:** Jaune LED s'allume lorsqu'il est en mode déshumidification.  
**Ventilateur:** Vert LED s'allume lorsqu'il est en mode ventilateur.
- ③  **Vitesses de ventilation** Il y a 3 vitesses ajustables dans le mode refroidissement et ventilation: Low, Medium et High (Bas, Moyen et Fort). En mode déshumidification Si la température ambiante est supérieure à 25°C la vitesse du ventilateur peut être ajustée, sinon le ventilateur est fixé sur (Bas).
- ④  **Marche/Arrêt de la minuterie**  
**Pour régler la minuterie pour un arrêt différé entre 1h et 24 heures jusqu'à ce que le climatiseur ne s'éteigne :**
1. Lorsque vous utilisez le bouton de réglage de la minuterie lorsque l'appareil est en marche vous pouvez pré-régler l'heure à laquelle vous voulez que l'appareil s'arrête.
  2. Lorsque vous utilisez le bouton de réglage de la minuterie lorsque l'appareil est en stand-by vous pouvez pré-régler l'heure à laquelle vous voulez que l'appareil s'arrête.
  3. Si vous appuyez sur le bouton «Marche/Arrêt» la fonction minuterie pré-réglée sera annulée.
  4. La minuterie est comprise entre 1 et 24 heures.
- Pour effacer le programme de Timer Delay:**  
**NOTE:** Le climatiseur peut être allumé ou éteint.
1. Appuyez sur le bouton Timer.
  2. Appuyez et laissez votre doigt sur le bouton moins jusqu'à ce que la minuterie soit effacée.
- Pour changer la durée restante (en heures):**
1. Appuyez sur le bouton Timer.
  2. Appuyez sur les boutons plus ou moins pour changer temps différé d'1 jusqu'à 24 heures.
  3. Le nouveau temps différé s'affiche

- ⑤ ⑥   **Réglage de la température**  
 Pour régler la température, appuyez sur la touche  ou la touche  pour augmenter ou diminuer la température. La température peut être augmentée ou diminuée dans le mode refroidissement. La température ne peut être ajustée en mode ventilation ou déshumidification. Appuyez sur 5 et 6 simultanément pour passer de °F à °C et vice-versa.

**NOTE:** La température peut être réglée entre 61°F (16°C) à 89°F (32°C).



# Guide de Nettoyage et de Soins

- Debranchez toujours votre climatiseur avant de le nettoyer.
- Les filtres doivent être nettoyés au moins une fois par semaine pour que votre produit opère à l'efficacité optimum. Le filtre peut être lavé ou aspiré. Enlevez l'excès d'eau du filtre, secouez doucement. Ceci enlèvera la poussière et les particules pris au piège dans le filtre. Après avoir nettoyé, réinstallez le filtre. **NE PAS** utiliser votre climatiseur sans le filtre à sa place
- Pour nettoyer le placard, n'utilisez jamais les produits chimiques rugueux, abrasifs, l'ammoniac, le chlore. Une partie de ces produits chimiques peuvent dissoudre, endommager et /ou **NE PAS** décolorer votre climatiseur.
- Utilisez toujours un tissu doux avec de l'eau au savon et nettoyez le devant du placard. Séchez avec un tissu doux.

## Emmagasinage

- Pour emmagasiner votre climatiseur quand vous ne l'utilisez pas pour une longue période de temps, drainez l'eau condensée en utilisant le tuyau d'évacuation. Enlevez le tuyau d'échappement, nettoyez les filtres puis couvrez-le avec des sacs en plastique et emmagasinez.

## Détection de panne

### Si le climatiseur ne fonctionne pas:

- Assurez-vous que le produit est branché, la prise peut être débranchée.
- El botón "Reset" ("Reiniciar") debe ser presionado para un funcionamiento adecuado.
- Assurez-vous que la prise murale est au voltage approprié
- Assurez-vous si le disjoncteur a besoin d'être remis à l'état initial ou si le fusible doit être remplacé.
- Assurez-vous si le produit est sur le mode OFF
- La lumière du réservoir indiquant qu'il est plein, appelez le service.

### Le climatiseur en marche, mais la salle ne se refroidit pas:

- La salle peut avoir des appareils qui produisent de la chaleur. Utilisez un ventilateur d'échappement pour enlever l'excès de la chaleur.
- Assurez-vous la propre installation du tuyau d'échappement.
- Déviez le courant d'air. Enlevez tous les obstacles.
- Toutes les portes et fenêtres doivent être fermées pour que l'air n'échappe pas de la salle.
- Les filtres peuvent être bloqués ou doivent être nettoyés
- Le BTU de produit peut être très bas pour la chambre à refroidir.
- Quand la chaleur et l'humidité sont extrêmes, le climatiseur prendra long pour refroidir la salle.
- Égouttez l'eau du tuyau d'évacuation par le débrancher.
- Le produit peut être dans le sec ou ventilateur mode. Mettez le climatiseur sur le mode frais.

### L'indicateur de Bac Plein est allumé:

- L'appareil s'éteint automatiquement lorsque le bac est plein. Ceci se produit lorsque l'appareil fonctionne dans des conditions très humides ou lorsque l'appareil fonctionne en mode Chauffage (HEAT), vu que la fonction d'évaporation automatique ne fonctionne pas durant ce mode. Voir les instructions dans la section « Fonctionnement », sous-section « Fonctionnement », sous-section « Pendant l'usage ».

# Garantie Limitee

## Que recouvre la garantie et pour combien de temps ?

Cette garantie recouvre tous les défauts de fabrication ou de matériaux pour une période de :

- 1 an (au service uniquement)**
- 1 an (au service uniquement)**
- 5 ans pour système frigorifique (au service uniquement)**

La garantie prend effet à compter de la date d'achat de l'article et l'original de la facture doit être présenté au centre de services agréé avant d'effectuer toute réparation.

### **EXCEPTIONS: Garantie pour une utilisation commerciale ou en cas de location**

**90 jours pour la main d'œuvre (au service après-vente uniquement)**

**90 jours pour les pièces Aucune autre Garantie applique**

### **Qu'est-ce qui est couvert ?**

1. Les pièces mécaniques et électriques essentielles au bon fonctionnement de cet appareil sont garanties pendant 1 an. Cela comprend toutes les pièces sauf la finition et l'habillage.
2. Les composants du système frigorifique comme le compresseur, le condensateur et l'évaporateur sont couverts par la 5 ans garantie pour tout défaut de détérioration de ce type de composant provoquée par une mauvaise utilisation du matériel, une mauvaise manipulation ou lors du transport n'est pas couverte par cette garantie.

### **Quelles seront mesures prises**

1. Nous nous réservons le droit de réparer et de remplacer toute pièce mécanique ou électrique défectueuse lors d'une utilisation normale pendant la période de garantie spécifiée.
2. Les pièces et la main d'œuvre ne seront facturées à l'acheteur pour aucun article couvert par la garantie pendant la période initiale de 1 an.
3. Veuillez contacter votre centre de services: 1-866-927-4833.

## **CETTE GARANTIE COUVRE LES APPAREILS ÉLECTROMÉNAGERS SUR LE CONTINENT NORD-AMÉRICAIN (ÉTATS-UNIS ET CANADA) ET À PORTO RICO.**

### **ELLE NE COUVRE PAS CE QUI SUIT :**

- Les dommages dus à une mauvaise installation.
  - Les dommages survenus pendant le transport.
  - Les vices autres que de fabrication.
  - Les dommages dus à une mauvaise utilisation, à une utilisation excessive, à une altération, au manque d'entretien et à une tension ou un voltage incorrects.
  - Les dommages imputables à une utilisation autre que domestique.
  - Les dommages dus à une réparation effectuée par un service autre que le revendeur agréé ou le centre de services.
  - L'habillage et les ampoules.
  - Le transport et l'expédition.
  - La main d'œuvre (après les 1 an initiaux).
- IL N'EXISTE AUCUNE AUTRE GARANTIE QUE CETTE GARANTIE LIMITÉE, EXPRIMÉE OU IMPLICITE, INCLUANT LES GARANTIES DE QUALITÉ MARCHANDE OU D'APTITUDE DANS UN BUT PARTICULIER.**
- Les réparations fournies par la présente garantie sont exclusives et remplacent toute autre réparation. Cette garantie ne couvre pas les dommages indirects ou secondaires. Dans ce cas, les limitations ci-dessus peuvent ne pas être applicables. Certains états n'autorisent pas les limitations sur la durée d'une garantie implicite. Dans ce cas, les limitations ci-dessus peuvent ne pas être applicables. Cette garantie vous reconnaît certains droits juridiques ; Il est possible que vous disposiez d'autres droits, pouvant varier d'un état à l'autre.

New York, NY 10018

# Registración del Producto

## Guarde el número de modelo y de serie.

Para todos los llamados que usted realice al Centro de servicios dentro del período de garantía será necesaria la siguiente información. Adjunte la factura de compra a esta guía y guarde para futura referencia. Esta información se encuentra en la placa de su Acondicionador.

Número de modelo: .....

Número de serie: .....

Fecha de compra: .....

Nombre del distribuidor: .....

Dirección del distribuidor: .....

Teléfono del distribuidor: .....

# PRECAUCIONES PARA SU SEGURIDAD



**SEA CUIDADOSO:** Siga todas las instrucciones antes de utilizar el Acondicionador de aire para reducir el riesgo de un shock eléctrico, daños o lesiones.

- ▲ 1) Este acondicionador debe conectarse a la toma de corriente adecuada de acuerdo a las instrucciones de este manual. (Ver tabla)
- ▲ 2) Debe asegurarse una adecuada conexión a tierra para reducir el riesgo de shock. **NO CORTE O RETIRE EL CABLE DE CONEXIÓN A TIERRA.** Si usted no posee una toma de corriente con conexión a tierra llame a un técnico calificado para que realice la instalación necesaria y correcta.
- ▲ 3) No utilice este Acondicionador si el cable de corriente estuviera rasgado o dañado. Evite también el uso de la unidad si existen daños de abrasión en el enchufe, el conector, o si el Acondicionador no funcionara correctamente o estuviese dañado de cualquier manera. Contacte a un service autorizado para la reparación o ajustes.
- ▲ 4) **NO UTILICE UN ADAPTADOR O ALARGUE.**
  - 5) No bloquee o obstruya la corriente de aire alrededor de la unidad. Incluso la manguera de salida debe estar libre de cualquier obstrucción.
  - 6) Siempre desenchufe el acondicionador antes de realizar reparaciones o traslados del mismo.
  - 7) No instale u opere el Acondicionador en áreas donde la atmósfera posee gases combustibles. Evite que cualquier químico haga contacto con la unidad.
  - 8) No coloque ningún objeto arriba de la unidad.
  - 9) Nunca opere el Acondicionador sin los filtros en su lugar.
  - 10) Nunca utilice el Acondicionador cerca de una bañera, pileta de cocina o una ducha.

## CONSERVE ESTAS INSTRUCCIONES

**¡PRECAUCIÓN!** Si el aire acondicionado se ha ubicado en una posición horizontal o inclinada durante cualquier lapso de tiempo, espere 24 horas antes de enchufar la unidad.

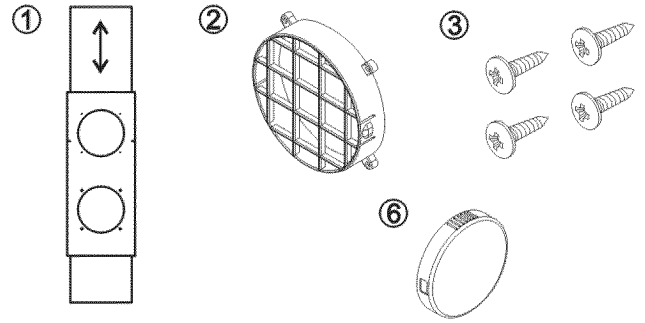
# Instrucciones Importantes

- Mantenga este manual en un lugar seguro.
- No use líquidos o vaporizadores para limpiar este producto. Utilice un paño húmedo.
- No ubique el producto en un lugar inseguro o elevado, ya que puede caerse y provocar daños o lesiones.
- No derrame nunca líquidos sobre el panel de control; pueden producirse descargas eléctricas en las piezas electrónicas del interior, lo que puede provocar que se desactiven o que no funcionen correctamente.
- No intente nunca desarmar el producto usted mismo. Si se desarma sin supervisión el interior de la tapa posterior y se vuelve a armarlo de manera incorrecta, se puede dañar el circuito eléctrico y afectar su rendimiento. Cuando es necesario realizar mantenimiento, póngase en contacto con el centro de reparaciones local o con el distribuidor local.

## Ventajas de este Modelo

1. Diseño exclusivo de manguera dual, que proporciona un enfriamiento más poderoso y rápido que con el diseño con una sola manguera.
2. En el modo de refrigeración, este aire acondicionado portátil no requiere de agua para ser eliminados. La unidad tiene un diseño que continuamente se evapora el agua.
3. Este modelo es fácil de operar. El panel de control electrónico tiene temporizador, termostato, tres velocidades de enfriamiento, tres velocidades de ventilador y una velocidad de la función de deshumidificación (seco).
4. No es necesario agregarle agua a este acondicionador de aire portátil.
5. La unidad tiene un diseño único que evapora el agua. Por lo tanto, no tiene tanque de condensación y no es necesario vaciar el tanque por la noche.
6. Se incluye un conjunto de elementos para una fácil instalación en la ventana, que está compuesto por la manguera de salida, 2 boquillas de manguera, el equipo del panel para la ventana, el conector de la manguera de salida y la cubierta para el conector de la manguera de salida.
7. Se incluyen ruedecillas completamente direccionales para ayudarlo a mover la unidad según sus necesidades.

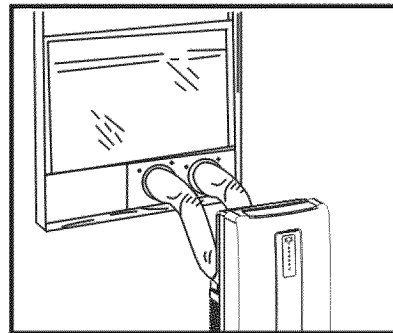
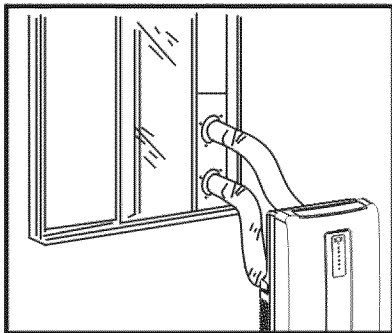
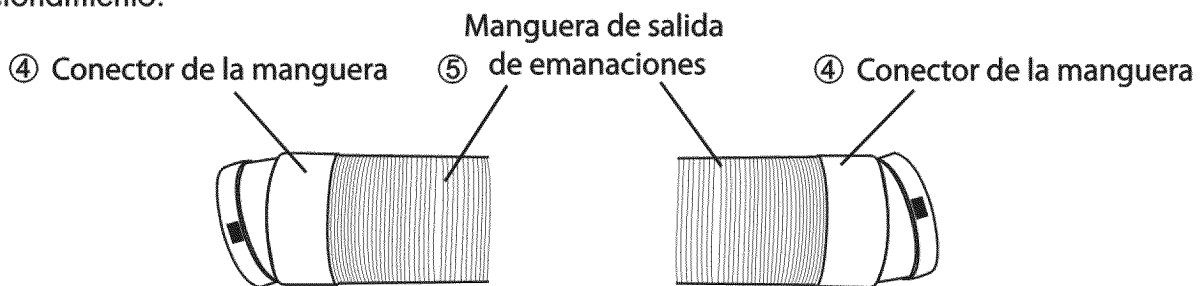
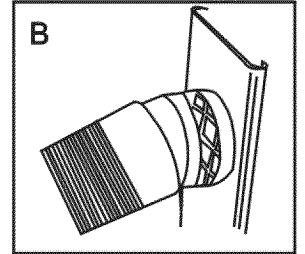
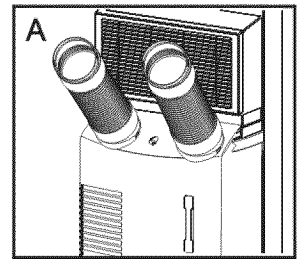
# Ensamble e Instalación



## Accesorios que se incluyen:

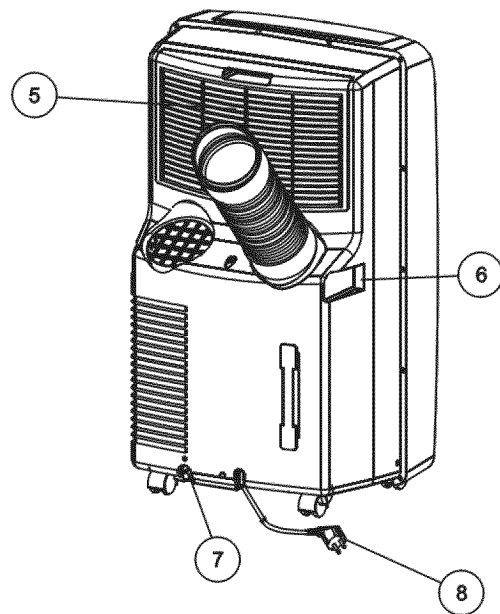
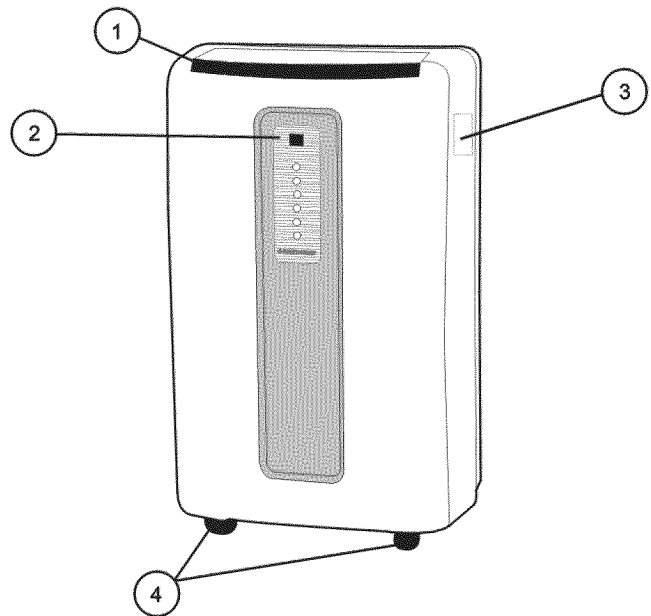
- |  |          |
|--|----------|
| 1. Panel de plástico. Desde 20" hasta 46".....         | 3 piezas |
| 2. Adaptador del panel para la ventana.....            | 2 pieza  |
| 3. Tornillos.....                                      | 4 piezas |
| 4. Conector de la manguera de salida de emanaciones .. | 4 piezas |
| 5. Manguera de salida de emanaciones.....              | 2 pieza  |
| 6. Tapa.....   | 2 pieza  |

- Coloque el panel de plástico en el ancho o en la altura de su ventana y ajuste los 2 tornillos que están unidos al panel.
- Presione el adaptador redondo para el panel de la ventana a través de la parte posterior del panel de plástico. Alinee los agujeros y ajuste el adaptador con los 4 tornillos que se encuentran incluidos en el juego. (Ajuste los tornillos desde el frente).
- Instale el panel de plástico para la ventana en la ventana. De ser necesario, utilice cinta aislante para asegurar el panel.
- Conecte la manguera de salida con la unidad insertando el conector de la manguera que está unido a la manguera en la salida.
- Acerque la unidad a la ventana, extienda la manguera y una el otro extremo de la manguera a la ventana. Alinee las lengüetas de la manguera y de los adaptadores del panel de la ventana y ajústelas.
- Enchufe en el tomacorriente de la pared y prepare para el funcionamiento.

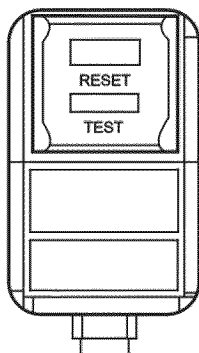


# Partes y Características

1. Salida de aire
2. Panel de control
3. Soporte para el control remoto
4. Ruedecillas
5. Filtro de aire
6. Manija
7. Desagüe de la salida de agua
8. Cable de alimentación



## CABLE DE ALIMENTACIÓN



**TEST (PRUEBA):** CUANDO SE PRESIONA ESTE BOTÓN O CUANDO HAY UNA PÉRDIDA DE CORRIENTE, LA UNIDAD NO FUNCIONA.

**RESET (REINICIAR):** DESPUÉS DE RESOLVER EL PROBLEMA, PRESIONE EL BOTÓN RESET (REINICIAR) PARA REANUDAR EL FUNCIONAMIENTO.

# Funcionamiento

**NOTA:** Espere 24 horas para encender el acondicionador de aire si la unidad se ha inclinado por cualquier motivo. Esto se recomienda para que los aceites y refrigerantes se asienten y se nivelen.

1. Después de que se apague la unidad normalmente, espere 3 minutos antes de reiniciarla así se completa el ciclo del compresor.
2. Utilice un tomacorriente de 115 voltios/15 amperes para el acondicionador de aire. No utilice otros artefactos eléctricos en esta línea, de lo contrario pueden saltar los fusibles. Utilice una línea exclusiva para este acondicionador de aire.
3. No ubique el acondicionador de aire expuesto a los rayos directos del sol ni cerca de artefactos de calefacción (es decir, zócalos radiantes, estufas, etc.)
4. Ponga la unidad en funcionamiento únicamente sobre una superficie plana.
5. Mantenga la unidad libre de obstrucciones, tales como cortinas, persianas, etc.
6. Mantenga la unidad al menos a un pie de distancia de la pared.
7. Revise y limpie el filtro una vez por semana para obtener una mayor eficiencia.

**NOTA:** No utilice la unidad sin el filtro.

8. Si no se utiliza la unidad por un período de tiempo prolongado, quite el tapón del tubo de desagüe de agua y vacíe toda el agua que pueda haberse condensado.

Cuando encienda la unidad por primera vez después de enchufarla en un tomacorriente eléctrico, la unidad comenzará a funcionar en un modo de enfriamiento con ventilador bajo. La temperatura que aparezca en el LCD será la temperatura ambiente de ese momento. Cuando encienda la unidad durante su uso regular, ésta recordará la última configuración usada. Si desea que el acondicionador de aire funcione como deshumidificador, entonces regúlelo en el modo deshumidificador.

## DURANTE EL USO

1. En el modo enfriamiento, no es necesario quitarle agua a este acondicionador de aire portátil.
2. La unidad tiene un diseño único que evapora el agua de manera continua. En el modo calefacción, o cuando la unidad funciona en condiciones de alta humedad, es probable que deba vaciar la fuente para el agua de manera periódica, dado que la función de autoevaporación no funciona en el modo calefacción.
3. La unidad se apaga automáticamente cuando la fuente para el agua está llena y se enciende la luz de advertencia "Tank Full" (Tanque lleno).
4. Cómo vaciar el depósito de agua: Ubique una fuente poco profunda debajo del tapón de desagüe ubicado en la parte de atrás de la unidad (cerca de la base del acondicionador de aire), retire el tapón y vacíe la fuente para el agua completamente.
5. Vuelva a colocar el tapón de desagüe. Entonces podrá volver a encender su acondicionador de aire portátil.

## DESPUÉS DEL USO

Si no se utiliza la unidad por un periodo de tiempo prolongado, quite el tapón del desagüe de agua y vacíe toda el agua que pueda haberse condensado. Para obtener más información, consulte la sección "Guardado".

# Funcionamiento del panel de control

## ① Encendido / Apagado

## ② **Modo:** Presione el botón Mode (Modo) para lograr la configuración deseada.

**Frío:** LED azul se enciende en modo de refrigeración.

**Deshumidificación:** LED amarillo se enciende en el modo de deshumidificación.

**Ventilador:** LED verde se enciende en modo de abanico.

## ③ **Velocidades del ventilador** Hay 3 velocidades ajustables en el modo enfriamiento y ventilador: Baja, Media y Alta.

En el modo deshumidificación, Si la temperatura ambiente es superior a los 77°F, puede regularse la velocidad del ventilador; de lo contrario, la velocidad del ventilador se fija como "baja".

## ④ **Temporizador Encendido/Apagado**

**Para configurar el temporizador con una demora de 1 a 24 horas hasta que se encienda el acondicionador de aire.**

1. Cuando utilice el botón de configuración del temporizador mientras la unidad está en funcionamiento, puede configurar que la unidad se apague a una hora predeterminada.
2. Cuando utilice el botón de configuración del temporizador mientras la unidad está en espera, puede configurar que la unidad se encienda a una hora predeterminada.
3. Si presiona el botón "ON/OFF" (encendido/apagado), la función del temporizador se cancelará.
4. El temporizador funciona por un período de 1 a 24 horas.

**Para borrar el programa de demora con temporizador:**



**NOTA:** El acondicionador de aire puede estar encendido o apagado.

1. Presione el botón Timer (Temporizador).
2. Presione y mantenga presionado el botón menos hasta que desaparezca la pantalla del temporizador.

**Para cambiar el tiempo restante (en horas):**

1. Presione el botón Timer (Temporizador).
2. Presione el botón más o menos para cambiar el tiempo de demora desde 1 a 24 horas.
3. Se mostrará el tiempo de demora nuevo.

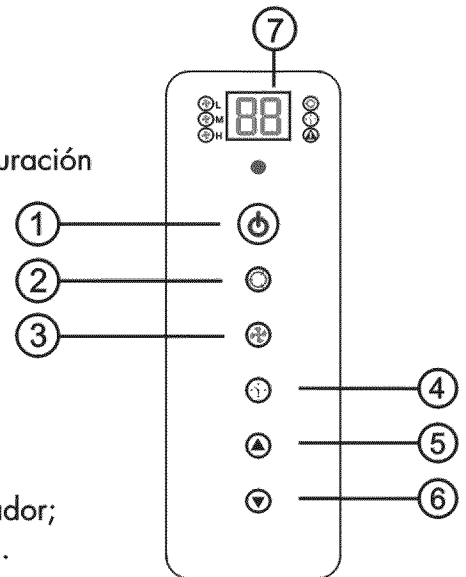
## ⑤ ⑥ **Configuración de la temperatura**

Para configurar la temperatura, presione la tecla  o  para subir o bajar la temperatura. Puede subirse o bajarse la temperatura en el modo enfriamiento. No puede regularse la temperatura en los modos ventilador o deshumidificación. Presione 5 y 6 simultáneamente para cambiar entre °F y °C.

**NOTA:** Puede configurarse la temperatura entre 61°F y 89°F.

## ⑦ **Indicador de agua condensada**

Cuando el indicador rojo (en el lado superior derecho al lado del visor LED) destella, el tanque interno de agua se ha llenado con agua condensada y el aire acondicionado se apagará automáticamente. Vea la sección "Almacenamiento" en la página 10 para instrucciones de drenaje de agua del aire acondicionado.



# Funcionamiento del control remoto

## ① Encendido / Apagado

## ② **Modo:** Presione el botón Mode (Modo) para lograr la configuración deseada.

**Frío:** LED azul se enciende en modo de refrigeración.

**Deshumidificación:** LED amarillo se enciende en el modo de deshumidificación.

**Ventilador:** LED verde se enciende en modo de abanico.

## ③ **Velocidades del ventilador** Hay 3 velocidades ajustables en el modo enfriamiento y ventilador: Baja, Media y Alta. En el modo deshumidificación, Si la temperatura ambiente es superior a los 77°F, puede regularse la velocidad del ventilador; de lo contrario, la velocidad del ventilador se fija como "baja".

## ④ **Temporizador Encendido/Apagado**

**Para configurar el temporizador con una demora de 1 a 24 horas hasta que se encienda el acondicionador de aire.**

1. Cuando utilice el botón de configuración del temporizador mientras la unidad está en funcionamiento, puede configurar que la unidad se apague a una hora predeterminada.
2. Cuando utilice el botón de configuración del temporizador mientras la unidad está en espera, puede configurar que la unidad se encienda a una hora predeterminada.
3. Si presiona el botón "ON/OFF" (encendido/apagado), la función del temporizador se cancelará.
4. El temporizador funciona por un período de 1 a 24 horas.

**Para borrar el programa de demora con temporizador:**



**NOTA:** El acondicionador de aire puede estar encendido o apagado.

1. Presione el botón Timer (Temporizador).
2. Presione y mantenga presionado el botón menos hasta que desaparezca la pantalla del temporizador.

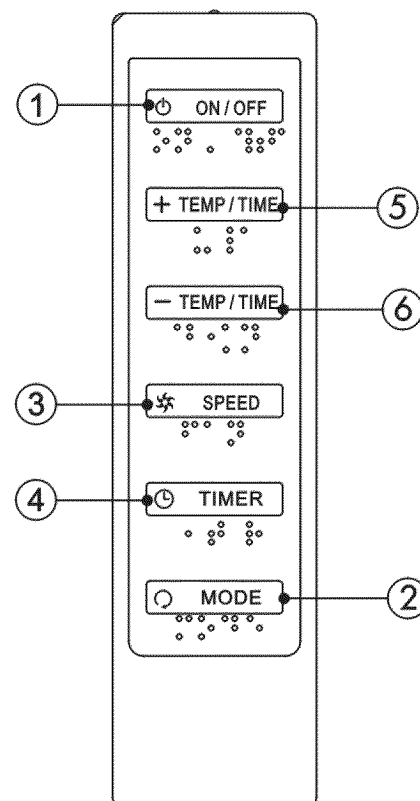
**Para cambiar el tiempo restante (en horas):**

1. Presione el botón Timer (Temporizador).
2. Presione el botón más o menos para cambiar el tiempo de demora desde 1 a 24 horas.
3. Se mostrará el tiempo de demora nuevo.

## ⑤ ⑥ **Configuración de la temperatura**

Para configurar la temperatura, presione la tecla  o  para subir o bajar la temperatura. Puede subirse o bajarse la temperatura en el modo enfriamiento. No puede regularse la temperatura en los modos ventilador o deshumidificación. Presione 5 y 6 simultáneamente para cambiar entre °F y °C.

**NOTA:** Puede configurarse la temperatura entre 61°F y 89°F.



# Cuidado y Mantenimiento

- Siempre desenchufe la unidad antes de limpiar.
- El filtro de aire del Acondicionador necesita ser limpiado por lo menos una vez por semana para que la unidad pueda funcionar al máximo de eficiencia. El filtro puede retirarse de la parte trasera deslizando hacia adelante. El filtro puede ser lavado o aspirado. Retire el exceso de agua del filtro sacudiéndolo. De esta manera desaparecerán las partículas de tierra y polvillo atrapados. Coloque nuevamente el filtro luego de la limpieza. **NO UTILICE** el acondicionador si el filtro no está en su lugar.
- Para limpiar el gabinete **NO UTILICE** químicos, abrasivos, amoníaco, cloro, blanquedor, detergentes concentrados, solventes o esponjitas de metal. Algunos de estos productos puede dañar el acabado o decolorar las superficies.
- Utilice un paño seco y suave o apenas humedecido con una solución de agua y detergente. Lave y seque con un repasador o paño.

# Almacenaje

- Para guardar el Acondicionador mientras no esté en uso por un largo período de tiempo retire restos de agua que hayan quedado en el tubo de drenaje. Retire también la manguera de salida, limpie los filtros, cubra con una bolsa de plástico y guarde.

# Problemas Frecuentes

## **Si el acondicionador de aire no funciona:**

- Controle que la unidad esté enchufada. El enchufe puede haberse aflojado.
- Si le climatiseur ne fonctionne pas, appuyez sur le bouton "Reset" pour le remettre en marche.
- Controle que la toma de corriente sea del voltaje adecuado.
- Controle si se quemó algún fusible. Reemplaze el mismo.
- Verifique que la unidad esté en modo ON
- La luz indicadora de tanque lleno está encendida. Llame a un técnico.

## **El Acondicionador no enfría lo suficiente:**

- Puede haber otros aparatos en el área que irradian calor. Utilice la opción de ventilación para remover el aire caliente.
- Controle que la manguera de salida de calor este instalada correctamente.
- Redireccione la corriente de aire. Retire los obstáculos.
- Todas las puertas y ventanas deben estar cerradas de manera que el aire frío no escape.
- El filtro de aire puede estar bloqueado o necesita limpieza.
- La unidad BTU puede ser chica para la habitación.
- En días de calor y humedad extrema los Acondicionadores pueden demorar más tiempo que el normal en enfriar.
- Drene el agua del tubo de drenaje desenchufando el mismo.
- La unidad puede estar en el modo de ventilación o secada. Seleccione la opción "frío".

## **Luz de advertencia de tanque lleno encendida:**

- La unidad se apaga si la fuente de agua está llena. Esto puede suceder cuando la unidad está en funcionamiento en condiciones de alta humedad o cuando funciona en el modo CALEFACCIÓN, dado que la función de autoevaporación no funciona en este modo. Consulte las instrucciones en la sección "Funcionamiento" en el apartado "Durante el uso".

# Garantía Limitada

## Qué cubre y por cuánto tiempo?

Esta garantía cubre todos los defectos en los materiales o los causados por el traslado durante un período de:

**1 años (únicamente en taller)**

**1 años (únicamente en taller)**

**5 años el sistema sellado (únicamente en taller)**

La garantía comienza el día en que el producto fue comprado. La factura original de compra debe ser presentada antes de hacer uso del servicio.

## EXCEPCIONES: Garantía de uso comercial

**90 días labor**

**90 días partes**

**No aplica ninguna otra garantía**

## Lo que cubre:

1. Las partes mecánicas y eléctricas que se utilizan para el funcionamiento, por un período de 1 años. Incluye todas las partes menos el acabado final.
2. Los componentes del sistema sellado, por ej. el compresor hermético, condensador, evaporador, de todo defecto de manufactura por un período de 5 años desde la fecha de compra. Cualquier daño a estos componentes causado por abuso mecánico o utilización inadecuada no serán cubiertos.

## Que se hará?

1. Repararemos o reemplazaremos cualquier parte mecánica o eléctrica que se compruebe como defectuosa en el funcionamiento normal y durante el período de garantía.
2. No habrá cargos para el comprador por las partes y labor de acuerdo a los items anteriores y respetando el período de 1 años. Luego de ese período sólo los componentes estan cubiertos por la garantía. La labor deberá ser abonada por el cliente.
3. Contacte su service: 1-866-927-4833.

## ESTA GARANTIA A CUBRE EN LOS EEUU, PUERTO RICO Y CANADA. NO CUBRE LO SIGUIENTE

Daños por instalación impropia

Daños en el embarque y traslado

Otros defectos que no sean de manufactura

Daños por desuso, abuso, accidente, alteración o falta de cuidado y mantenimiento adecuado.

Daños por otro uso que no sea el doméstico.

Daños ocasionados por reparaciones de personal no perteneciente a algún service autorizado.

Decoraciones o reemplazo de la bombita de luz.

Transporte y embarque

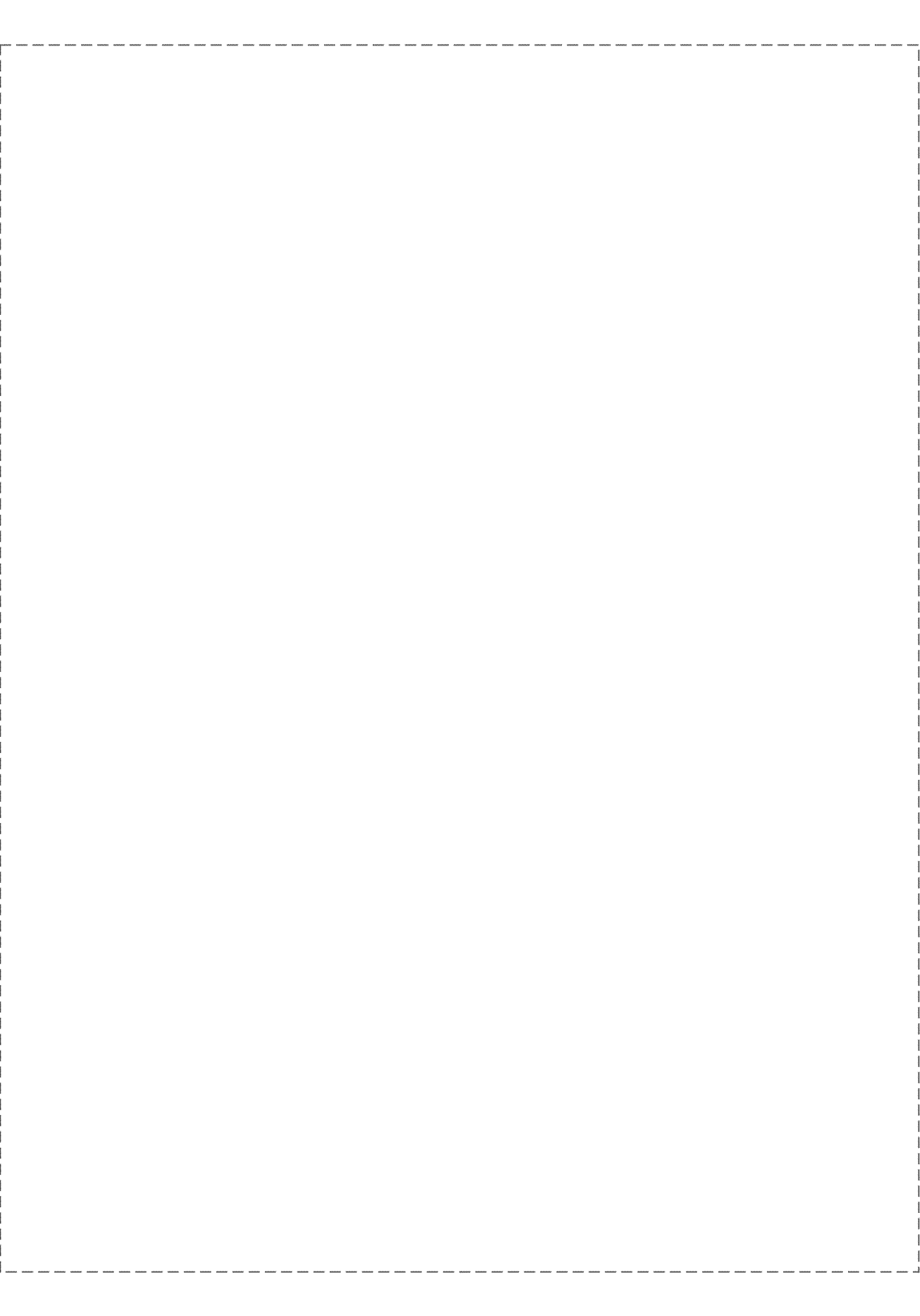
Labor (luego de los primeros 1 años)

ESTA GARANTIA LIMITADA ESTA DADA EN LUGAR DE CUALQUIER OTRA GARANTIA.

El remedio dado por esta garantía es exclusivo y es otorgado en lugar de cualquier otra solución. Esta garantía no cubre daños incidentales o secundarios, de modo que las limitaciones precendentes no lo alcanzan a usted. Algunos Estados no permiten las limitaciones de tiempo de una garantía implícita, de modo que las limitaciones anteriores pueden no aplicarse en su caso.

Esta garantía le da derechos legales específicos, y usted puede contar con otros derechos de acuerdo al Estado donde se encuentre.

New York, NY 10018



Black & Decker and the Black & Decker logo are trademarks of The Black & Decker Corporation and are used under license. All rights reserved.

La mention Black & Decker et le logo Black & Decker sont des marques de commerce déposées de Black & Decker Corporation et sont utilisés en vertu d'une licence. Tous droits réservés.

Black & Decker y el logotipo de Black & Decker son marcas comerciales de The Black & Decker Corporation y se usan con licencia. Todos los derechos reservados.

**IMPORTANT**

Do Not Return This Product To The Store

If you have a problem with this product, please call 1-866-927-4833.  
DATED PROOF OF PURCHASE REQUIRED FOR WARRANTY SERVICE

**IMPORTANT**

Ne pas Réexpédier ce Produit au Magasin

Pour tout problème concernant ce produit, veuillez contacter 1-866-927-4833.  
UNE PREUVE D'ACHAT DATEE EST REQUISE POUR BENEFICIER DE LA GARANTIE.

**IMPORTANTE**

No regrese este producto a la tienda

Si tiene algún problema con este producto, por favor contacte al 1-866-927-4833.  
NECESITA UNA PRUEBA DE COMPRA FECHADA PARA EL SERVICIO DE LA GARANTIA

115V~60Hz

Made in China  
Fabriqué en Chine  
Hecho en China

Printed in China

Haier America, New York, NY 10018

101119