

This Owner's Manual is provided and hosted by [Appliance Factory Parts](#).



# Haier CPRD12XC7 Owner's Manual

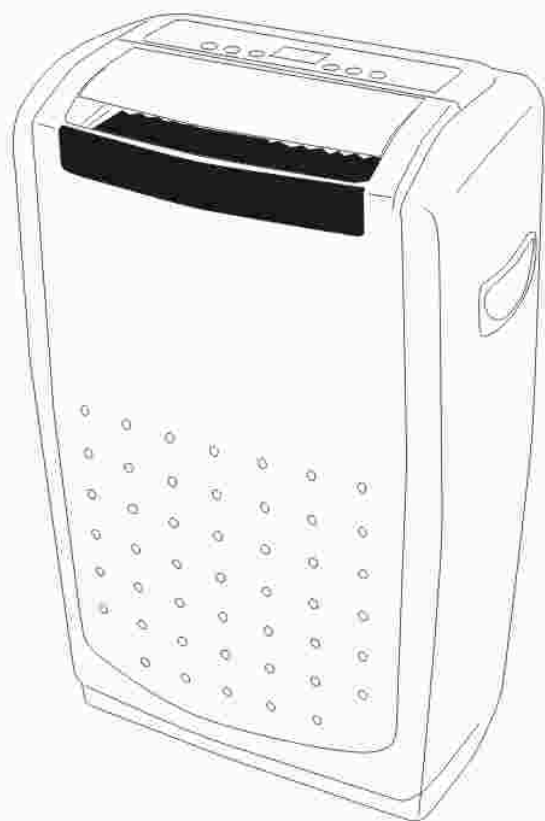
[Shop genuine replacement parts for Haier CPRD12XC7](#)



[Find Your Haier Air Conditioner Parts - Select From 735 Models](#)

----- Manual continues below -----

**PORTABLE AIR CONDITIONER  
CLIMATISEUR PORTATIF  
ACONDICIONADOR DE AIRE PORTATIL**



**User Manual**

**Model # CPRD12XC7, CPRD12XH7**

**Guide de l'Utilisateur**

**Modèle # CPRD12XC7, CPRD12XH7**

**Manual del Usuario**

**Para Modelo de # CPRD12XC7, CPRD12XH7**

Before operating this air conditioner, please read these instructions completely.

**COMMERCIAL**  
 *Cool*

Quality ■ Innovation ■ Style



# A Word From Haier America

Thank you for buying a dependable, energy-saving and easy-to-operate Commercial Cool air conditioner. This manual contains useful information for you to maintain, operate, install and safely use your air conditioner. Your air conditioner cleans, cools and dehumidifies the air in your room to provide you with the ultimate level of comfort.

Please read instructions carefully before using the product. Also, do not forget to fill out and mail the **Product Registration Card**.

## Product Registration

### Record Your Model and Serial Number.

Attach the sales receipt to this guide and keep for future reference. Model and serial number can be obtained from the serial label, which is on your air conditioner. For all your service calls during the warranty period the following information will be needed:

Model Number: .....






Serial Number: .....

Date of Purchase: .....

Dealer's Name: .....

Dealer's Address: .....

Dealer's Phone Number: .....

TABLE					
RECEPTACLE AND FUSE TYPES					
RATED VOLTS	125/60		250/60		
AMPS	15	20	15	20	30
WALL OUTLET					
FUSE SIZE	15	20	15	20	30
TIME DELAY FUSE (or circuit breaker)	Plug	Plug	Plug	Plug	Plug

# SAFETY PRECAUTIONS

**WARNING:** Following these basic precautions will reduce the risk of fire, electrical shock, injury or death when using your air conditioner.



- ▲ 1) Air conditioner must be connected to proper electrical outlet with the correct electrical supply. (see table previous page)
- ▲ 2) Proper grounding must be ensured to reduce the risk of shock and fire. **DO NOT CUT OR REMOVE THE GROUNDING PRONG.** If you do not have a three-prong electric receptacle outlet in the wall, have a certified electrician install the proper receptacle. The wall receptacle **MUST** be properly grounded.
- ▲ 3) Do not operate air conditioner if power cord is frayed or otherwise damaged. Also avoid using it if there are cracks or abrasion damage along the length or plug connector or if the unit malfunctions or is damaged in any manner. Contact an authorized service for examination, repairs or adjustments.
- ▲ 4) **DO NOT USE AN ADAPTER OR AN EXTENSION CORD.**
- 5) Do not block airflow around the air conditioner. The exhaust hose should be free of any obstructions.
- 6) Always unplug the air conditioner before servicing it or moving it.
- 7) Do not install or use the air conditioner in any area where the atmosphere contains combustible gases or where the atmosphere is oily or sulphurous. Avoid any chemicals coming in contact with your air conditioner.
- 8) Do not place any object on the top of the unit.
- 9) Never operate the air conditioner without the filters in place.
- 10) Do not use the air conditioner near a bathtub, shower or wash basin.

## SAVE THESE INSTRUCTIONS

# Important Instructions

- Please keep this manual in a safe place.
- Do not use liquid or a spray to clean this product. Use a damp cloth.
- Do not place the product in an insecure or elevated place as it may fall and cause damage or injury.
- Never spill liquid on the control panel; it may cause electrical shock to the electronic parts inside and disable them or cause them to function improperly.
- Never try to dismantle the product by yourself. Unsupervised dismantling and incorrect reassembly of the inside of the back cover may damage the electrical circuit and affect its performance. When maintenance is required, please contact the local service center or local distributor.

Thank you for purchasing our Commerical Cool product. Please read this manual carefully before operating and store for future reference Staple your receipt to your manual. You will need it to obtain warranty service.

\_\_\_\_\_

Model number

\_\_\_\_\_

Serial number

\_\_\_\_\_

Date of purchase

\_\_\_\_\_

# Table Of Contents

	PAGE
A Word From Haier America.....	1
Product Registration.....	1
Safety Precautions.....	2
Advantages.....	4
Parts and Features.....	5
Assembly and Installation.....	6
Operation.....	9
Product Specification.....	12
Care and Cleaning.....	13
Storage.....	13
Troubleshooting.....	13
Warranty Information.....	14

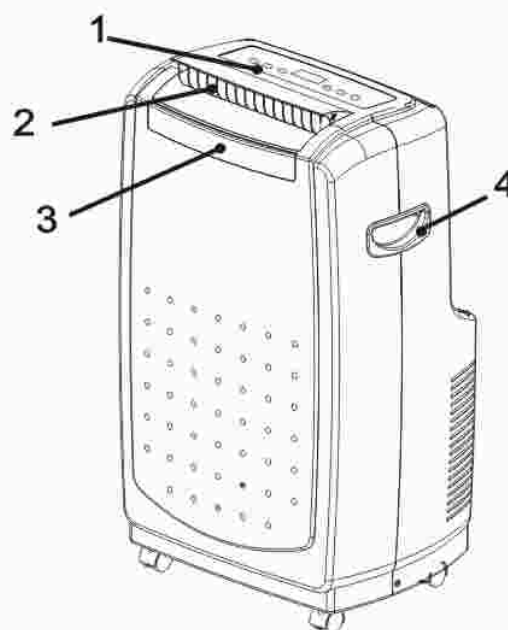
## Advantages of this Model

1. Unique dual-hose design, providing more powerful and faster cooling than the single-hose design.
2. Adjustable airflow direction for convenient and effective cooling.
3. Heat and cool functions for CPRD12XH7.
4. This model is easy to operate. The electronic control panel has a timer, thermostat, three speed cooling speeds, three fan speeds and one speed dehumidification function (dry).
5. This portable air conditioner does not require water to be added.
6. The unit has a unique design which evaporates the water. Therefore there is no condensation tank and no need to empty a tank overnight.
7. An easy-to-install window kit is included which consists of the exhaust hose, 2 hose nozzles, the window panel kit, exhaust hose connector and cover for the exhaust hose connector.
8. Full directional casters are included to help move the unit as needed.
9. The filter screen is designed for easily accessibility of the filter.
10. Portable air conditioners are easy to store when not in use.

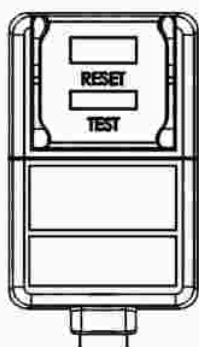
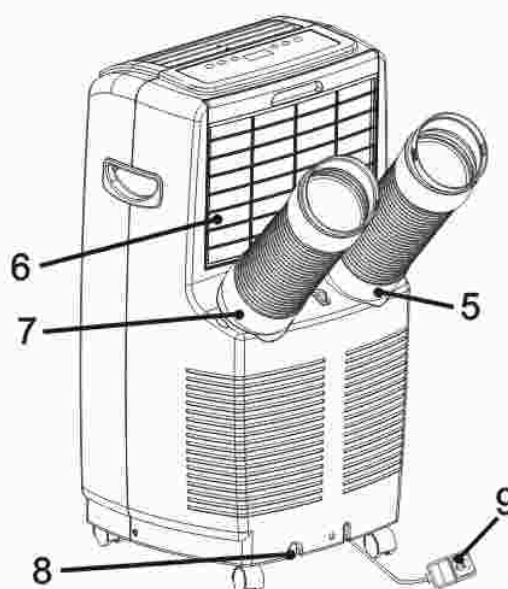
# Parts and Features

1. Control Panel
2. Cold Air Outlet
3. Signal Receptor
4. Transport Handle
5. Air Outlet Hose
6. Evaporator Air Intake
7. Air Intake Hose
8. Drain Port
9. Power Supply

## Front



## Rear



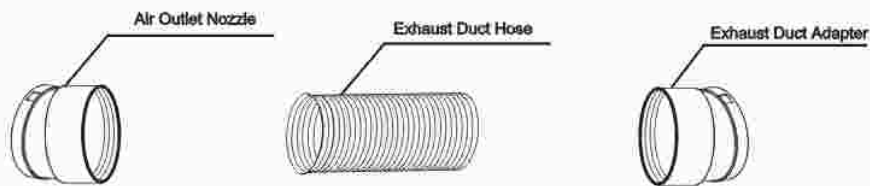
- TEST: WHEN THIS BUTTON IS PRESSED OR WHEN THERE IS A CURRENT LEAK, THE INDICATOR LIGHT WILL TURN OFF AND THE UNIT WILL NOT RUN.
- RESET: AFTER SOLVING THE PROBLEM, PLEASE PRESS THE BUTTON AND THE UNIT WILL START OPERATING.

# Assembly and Installation

## Assembly Instruction

A. Connect exhaust hose to the back of the unit. Extend hose to desired length and connect with window kit.

### USING EXHAUST DUCT SET

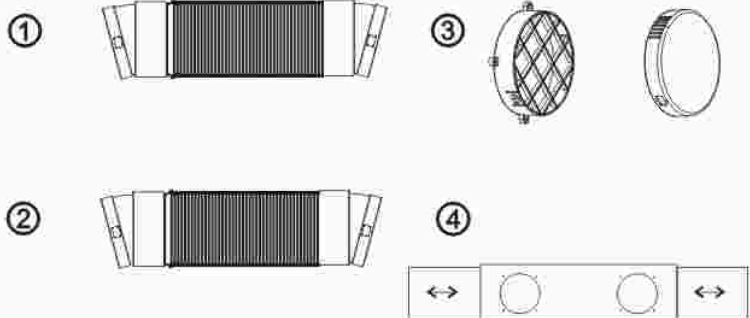


1. Insert ends of Exhaust hose into air outlet nozzle and Exhaust duct "A" by twisting until it stops.
2. Fix the Exhaust duct "A" to the exhaust outlet on the rear of the unit. This is achieved by sliding the appropriate connector downward over the exhaust outlet ensuring that the lugs on the outlet are engaged with the grooves on the connector.
3. The exhaust hose is snap-fit to the unit. To take it off, turn it clockwise and remove.  
Note: Air outlet hose should be mounted at right side (see fig. 1)
4. Extend the Exhaust hose and close the Window as far as possible, trapping the air outlet nozzle.

B. Repeat same steps for the air intake hose.

### USING WINDOW PANEL KIT

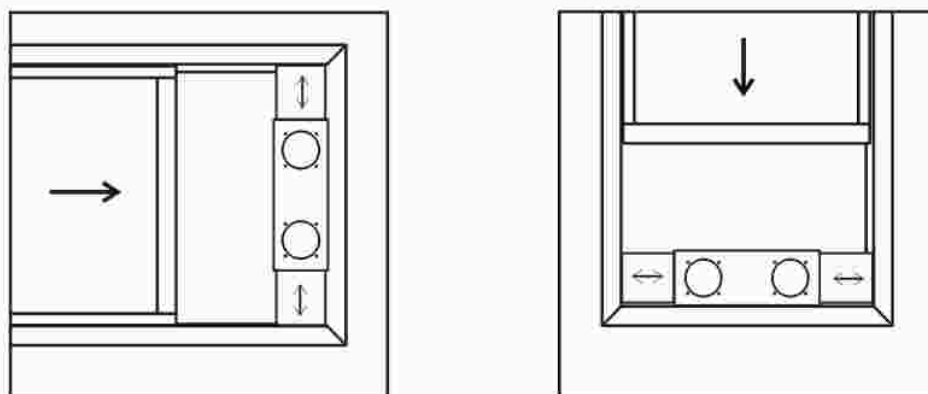
1. Air Inlet Hose - 1 set
2. Air Outlet Hose - 1 set
3. Window Exhaust Adapter - 2 pieces
4. Window/Patio Door Slider Kit - 1 set Window Kit Installation



Your window kit has been designed to fit most standard vertical and horizontal window applications.

However, it may be necessary for you to improvise/modify some aspects of the installation procedures for certain type windows. Please refer to for minimum and maximum window openings

**Note:** Window kit is only available for some models.



### Installation Instructions

- Air outlet intake indoor side can not be blocked by curtains or anything else.
- The end of air hose cannot be blocked by shutters or anything else.
- Do not bend the air hose when assembling, keep it straight.
- When appliance is in cool or dry mode, condensate will concentrate in water box of chassis. When the box is full, water full indicator lights up (red), The appliance will stop running at the same time. Now the power supply should be shut. Pull out the rubber plug in drain port underside the appliance, and drain the water into a prepared container, or drain the water by moving the appliance to a suitable place.

**Note:** Water should be drained out when the water full light is on. Otherwise, the appliance will not work.

- Select the best location for the air conditioner. It must be beside a window, door to the outside, or French window.
- Keep the required distance from the return air outlet to the wall or other obstacles at least 20".
- Fix one end of the air hose on the air intake or outlet under the appliance.
- Extend the air hose to ensure that it is long enough to clear the window, door, French window, or wall hole that you have chosen as a vent.
- Air outlet or intake cannot be blocked by protective grid or anything else.
- The distance between two ends of the air hose should be at least 8".

Note: The cooling capacity will decrease when using a single air hose. Fig. 3

## Installation Sequence

### Before Starting this Unit

1. Select a suitable location, making sure you have easy access to an electrical outlet.
2. Install the flexible exhaust hose and adjustable window slider kit as depicted in Fig. 2 & 3.

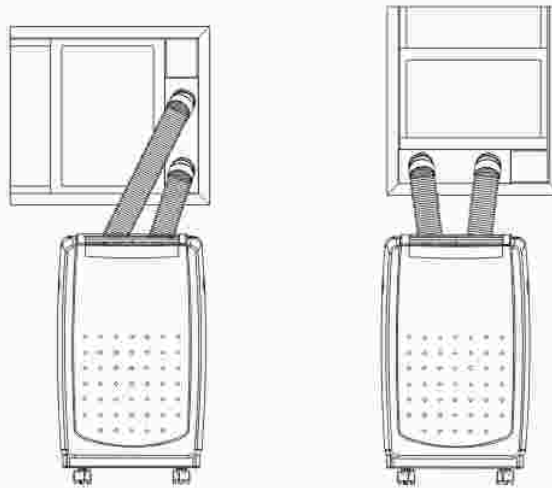
**Note:**

1. Step 2 is required only while using cooling or dry mode. In cooling mode you can select to install two hoses or air outlet hose only. In dry mode you may install air outlet hose only.
2. While running or installing the hoses, the unit cannot be blocked by curtains and so on.

3. Plug the appliance into a grounded electrical outlet. Please select an appropriate power supply based on the nameplate sticker found on the unit.

**Note:** Do not use a regular extension cord.

4. To turn the appliance on, press ON/OFF button.



# Operation

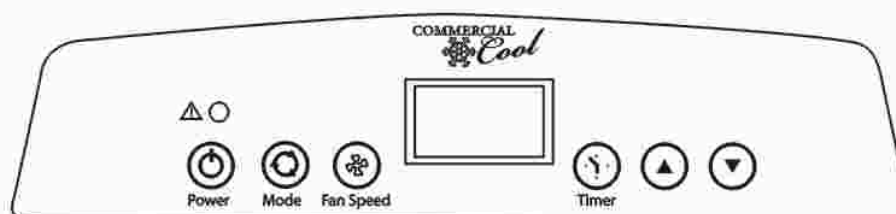
**NOTE:** Wait for 24 hours to turn on air conditioner if the unit has been tilted for any reason. This is for the oils and the coolants to settle and level off.

1. Wait for 3 minutes before restarting the unit after a normal shut down to complete the compressor cycle.
2. Use a 115v 15 amp outlet for the air conditioner. Do not use any other electrical appliances on this line or you may trip the fuse. Use a dedicated line for this air conditioner.
3. Do not place the air conditioner in direct sunlight or close to any heating appliances. ex. baseboard heaters, stoves, etc.
4. Operate on a flat surface only.
5. Keep the unit free of any obstructions such as drapes, curtains, blinds, etc.
6. Keep unit at least 1 foot away from the wall.
7. Check and clean the filter once every week to get the highest efficiency.

**NOTE:** Do not use unit without filter.

8. If the unit is not being used for a long period of time remove the plug from the water drain pipe and drain out any condensed water. When turning on the unit first time after plugging it into an electrical outlet the unit will start in a low fan cool mode. The temperature read out on the LED will be the room temperature. When turning on the unit in regular usage it will remember the last shut off setting.

# Control Panel



- Cooling Mode
- Dehumidify Mode
- Fan only Mode
- Heating Mode Model CPRD12XH7 Only
- High Fan Mode
- Medium Fan Mode
- Low Fan Mode

- Display set temperature
- Warning light the machine will stop running
- Display timer setting of auto switch on/off

# Control Panel (continued)

## Power Control

The power control turns the unit on and off.

## Warning Light

Condensed water may accumulate in the unit. If the internal tank becomes full, the Warning signal in the LCD Display will light the unit

## Mode Control

The mode control has 3 settings:

- Cool
- Dehumidifier
- Heating (only CPRD12XH7)/Fan

The settings are adjusted with Mode Control button. A green light will indicate which setting is currently being used.

## Cooling Mode

When the cool mode is selected, "❄️" will show in the LCD Display. During the cooling mode the air is cooled and hot air is exhausted to the outside through the exhaust tube adjust fan speed and air temperature to suit your desired comfort level.

Note: The air exhaust hoses must vent outside the room when using cool mode.

## Dehumidifier Mode

When dehumidify mode is selected, "🌀" will show in the LCD display. Air is dehumidified as it passes through the unit, without being in full cooling mode. If room temperature is higher than 77° C, fan speed can be adjusted: otherwise fan speed is fixed to "Low".

Note: The warm air exchange hoses must vent inside the room when using Dehumidify Mode, not outside as it does when cooling. If the unit is vented outside some cooling will occur.

## Fan Mode

When fan mode is selected "🌀", "🌀", "🌀" will be shown in the LCD display, air is circulated throughout the room with no cooling.

## Heating Mode (only CPRD12XH7)

In heating mode "☀️", the air flow is selectable. (Note: Heating is activated only when the ambient temperature is below 77° F.)

## Fan Speed Control

The Fan Speed Control has 3 settings: High, Medium, and low.

## Timer

Auto turn off:

With machine in running mode, press timer button for setting timer control. Press "⬆️" or "⬇️" to select number of hours you would like the unit to run before it automatically shuts off.

Auto turn off:

With machine in stand by mode, press timer button for setting timer control. Press "⬆️" or "⬇️" to select number of hours before the unit automatically starts running in air conditioning mode.

Note: The time is adjustable between 1-24 hours.

## Temperature Controls

- Used for adjusting the thermostat
- The default display is room temperature
- In cooling mode, when "⬆️" or "⬇️" button is pressed, the set temperature is displayed and may be adjusted. After 15 seconds the display will revert back to room temperature. Temperature is only adjustable in cool mode.

Note: by pressing both "⬆️" / "⬇️" buttons at the same time for more than 3 seconds, the display will toggle between Celsius and Fahrenheit.

# Remote Control Operations

## Timer

Auto turn off:

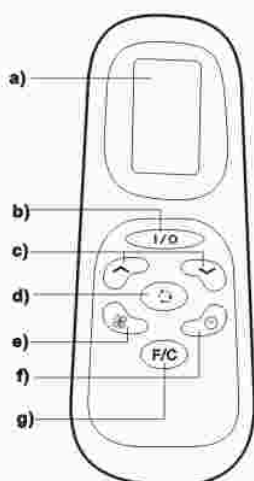
With machine in fan mode, press timer button to select number of hours you would like the unit to run in air conditioning mode until it automatically shuts off.

Auto turn on:

With machine powered off, press timer button to select number of hours until you would like the unit to automatically start running in air conditioning mode.

## Timer / Temperature Buttons

- Used for adjusting the timer and thermostat.
- The default display is room temperature.
- When "△" or "▽" button is pressed, the set temperature is displayed and may be adjusted. After 15 seconds the display will revert back to room temperature.
- The temperature can be raised or lowered in the cool and dehumidifier or dry mode. The temperature cannot be adjusted in the fan mode.



- a) LCD Screen
- b) Power On/Off Button
- c) Timer and Thermostat Setting Buttons
- d) Mode Button (Select A/C, Fan or Dehumidifier)
- e) A/C Fan Speed Button (High, Medium, or Low)
- f) Timer On/Off Button
- g) Fahrenheit/Celsius Selector

## TIMER PROGRAMMING

1. Press the (⊙) button on the remote or the "Timer Setting" button on the control panel to turn on the Timer Function.
2. Press the (^) or (v) buttons on the remote or the (△) or (▽) buttons on the control panel to set the desired shut-off time.
3. The unit will shut off when the set time elapses.

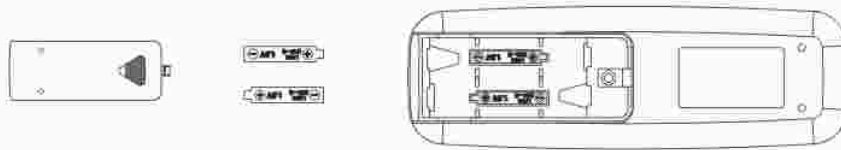
## DEHUMIDIFICATION OPERATION

Press the (⊙) button on the remote or the "MODE" button on the control panel to select the dehumidifier mode. When the dehumidifier mode is on, the temperature buttons and the fan speed buttons do not function and the fan will operate on low speed. An image on the LCD display will indicate that the unit is dehumidifying. Remember, the exhaust hose does not need to be used in dehumidifier mode.

### Air Conditioner Remote Control

The functions work the same as your air conditioner's touch controls.

**Batteries:** Remove the cover on the back of the remote control and insert the batteries with the (+) and (-) poles pointing in the proper direction.



### CAUTION

Use only AAA or IEC R03 1.5V batteries.

Remove the batteries if the remote control is not used for a month or longer.

Do not attempt to recharge the supplied batteries.

All batteries should be replaced at the same time.

Do not dispose of the batteries in a fire as they may explode.

## Product Specification

Voltage and Frequency	115V / 60Hz
Input Power	1200/1000W
Cooling Capacity	12,000 BTU Cool 9,500 BTU Heat (Modèle CPRD12XH7 Seulement)
Moisture Removal (pints/day)	100
Refrigerant	R-22/19.1 OZ.
Timer	24 Hours
Operating Temperature Range	61°F - 100°F
Unit Dimensions (WxDxH)	19-11/16" x 15-3/4" x 33-1/4"
Net Weight approximate	80 lbs.
Power Cord	6 Feet
Exhaust Hose	5 Feet

# Care and Cleaning Guide

- Always unplug your air conditioner before cleaning.
- Air filter needs to be cleaned at least once a week for your unit to operate at optimum efficiency. Slide out the filter from the back by pulling on the tab. The filter may be washed or vacuumed. Remove the excess water from the filter by gently shaking the filter. This will remove dust and particles trapped in the filter. After cleaning, reinstall the filter. **DO NOT** use your air conditioner without the air filter in place.
- To clean the cabinet, **DO NOT** use harsh chemicals, abrasives, ammonia, chlorine, bleach, concentrated detergents, solvents or metal scouring pads. Some of these chemicals may dissolve, damage and/or discolor your air conditioner.
- Always use a soft cloth dampened with water or a mild soap and water solution to wipe the front of the cabinet. Wipe dry with a soft cloth.

## Storage

- To store your air conditioner when not being used for a long period of time, drain condensed water using the drain pipe. Remove exhaust hose, clean the filters, cover with plastic bag and store away.

## Troubleshooting

### **If air conditioner does not operate:**

- Check if unit is plugged in. The plug may have come loose.
- Check if the electrical wall receptacle is of proper voltage.
- Check if the circuit breaker needs to be reset or if the fuse needs to be replaced.
- Check if the unit is in "Off" mode.
- If the tank full warning light is on, call for service.

### **Air conditioner working but room not cooling:**

- Room may have appliances that produce heat. Use an exhaust fan to remove excess heat.
- Check exhaust hose for proper installation.
- Redirect the airflow. Remove any obstacles.
- All doors and windows need to be closed so that cool air does not escape the room.
- Air filter may be blocked or may need cleaning.
- Unit BTU may be too low for the required cooling area.
- On extremely hot & humid days, air conditioners may take a little longer to cool.
- Drain the water drain pipe by removing the plug.
- Unit may be in fan or dry mode. Put air conditioner in cool mode.

# Limited Warranty

## **This warranty covers all defects in workmanship or materials for:**

1. The mechanical and electrical parts (including labor costs) contained in this product, for a period of 12 months from the date of purchase (commercial or rental application, the warranty is 90 days).

2. The sealed system and compressor contained in this product is for a period of 7 years from the date of purchase (excluding labor costs after the initial 12 month period). In commercial or rental use, the additional limited compressor warranty is for 1 year and 9 months (excluding labor costs after the initial 90 days period).

## **You must keep and be able to provide your original sales receipt as proof of the date of purchase.**

### **Who is covered?**

The original retail purchaser of this product.

### **What will be done?**

Haier America will repair or replace, in your home, any mechanical or electrical part or the compressor which proves defective in normal household use for a period of 12 months. Haier America will repair or replace (excluding labor costs) the sealed system and compressor (parts only) for an additional 6 year period.

### **How can you get service?**

1. Contact your nearest Haier America authorized Service Depot. For the name of the Service Depot nearest you, contact Haier America at (877) 337-3639.
2. All service must be performed, by an authorized Haier America Service Depot.

## **THIS WARRANTY COVERS UNITS WITHIN THE CONTINENTAL UNITED STATES, CANADA AND PUERTO RICO AND DOES NOT COVER:**

- Damages from improper installation.
- Damages in shipping.
- Damages from misuse, abuse, accident, alteration, lack of proper care and maintenance.
- Damages from service, by other than an authorized dealer or service center.
- Labor, service, transportation and shipping charges for the removal of defective parts and installation of a replacement part beyond the initial 12 month period.

THIS LIMITED WARRANTY IS GIVEN IN LIEU OF ALL OTHER WARRANTIES, EXPRESS OR IMPLIED, INCLUDING THE WARRANTIES OF MERCHANTABILITY AND FITNESS FOR A PARTICULAR PURPOSE.

The remedy provided in this warranty is exclusive and is granted in lieu of all other remedies. This warranty does not cover incidental or consequential damages. Some states do not allow the exclusion of incidental or consequential damages, so this limitation may not apply to you. Some states do not allow limitations on how long an implied warranty lasts, so this limitation may not apply to you. This warranty gives you specific legal rights, and you may also have other rights, which vary from state to state.

# Un mot de Haier America

Merci d'avoir achete un climatiseur "Commerical Cool" qui est dependable, facile a operer et economise de l'energie. Ce manuel contient l'information necessaire pour maintenir, operer, installer et utiliser proprement votre climatiseur. Votre climatiseur nettoie, refroidit et dehumidifie l'air dans votre salle pour vous fournir avec le niveau ultime de confort..






S'il vous plait lisez soigneusement les instructions avant d'installer ce produit. N'oubliez pas de remplir et poster la carte d'enregistrement du produit.

## Registration du Produit

**Registrez le model et numero de serie.**

Pour tous vos appels de service pendant la periode de votre garantie, les informations suivantes vous seront necessaries. Attachez le recu de ventes a ce guide et garder pour la reference d'avenir. Cette information peut etre obtenue de la plaque en serie, qui est sur votre climatiseur.

Numero du model:.....  
 Numero de serie:.....  
 Date d'achats: .....  
 Nom du negociant:.....  
 Addressed u negociant:.....  
 Numeros de telephone du negociant:.....

TABLEAU					
TYPES DE PRISES ET FUSIBLES					
TENSION	125/60		250/60		
AMPÈRES	15	20	15	20	30
PRISE DE COURANT MURALE					
FUSE SIZE	15	20	20	30	30
FUSIBLE À FUSION TEMPORISÉE (disjoncteur)	Fiche	Fiche	Fiche	Fiche	Fiche

# CONSIGNES DE SÉCURITÉ

**AVERTISSEMENT:** Veuillez suivre ces précautions de base lorsque vous utilisez l'appareil afin de réduire tout risque d'incendie, d'électrocution, de blessure, voire de mort.



- ▲1) Le climatiseur doit être branché au niveau d'une prise électrique d'une tension adéquate. (voir tableau)
- ▲2) L'appareil doit être mis à la terre (masse) afin de réduire tout risque d'électrocution et d'incendie. **NE PAS COUPER NI RETIRER LA BROCHE DE MASSE.** Si votre prise murale ne peut accueillir une fiche à trois broches, veuillez faire en sorte qu'un électricien qualifié en installe une. La prise murale **DOIT** être mise à la masse.
- ▲3) Ne pas utiliser l'appareil si le cordon d'alimentation est effiloché ou fissuré, si la fiche et le connecteur sont endommagés, ou si l'appareil présente une panne ou est endommagé d'une façon quelconque.
- ▲4) **NE PAS UTILISER UN ADAPTATEUR OU UNE RALLONGE.**
- 5) Ne pas gêner ni bloquer le flux d'air autour de l'appareil et que rien ne bouche le tuyau de sortie.
- 6) Débrancher toujours le climatiseur avant de le déplacer ou d'effectuer opération de maintenance.
- 7) Ne pas installer le climatiseur dans un endroit où l'atmosphère est huileuse ou présente des gaz combustibles ou du soufre. Éviter que les produits chimiques entrent en contact avec le climatiseur.
- 8) Ne placer aucun objet sur le climatiseur.
- 9) Ne jamais utiliser le climatiseur sans les filtres.
- 10) Ne pas utiliser le climatiseur à proximité d'une baignoire, d'une douche ou d'un lavabo ou évier.

## ÉCONOMISER CES INSTRUCTIONS

# Table de matieres

	PAGE
Un mot de Haier America.....	1
Registration du Produit.....	1
Precautions de Surete .....	2
Avantages .....	3
Parties et caracteristiques.....	4
Assemblee et Installations.....	5
Operation .....	8
Specification du Produit.....	11
Soins et nettoyage.....	12
Emmagasinage .....	12
Detections d'un probleme.....	12
Informations de la garantie .....	13

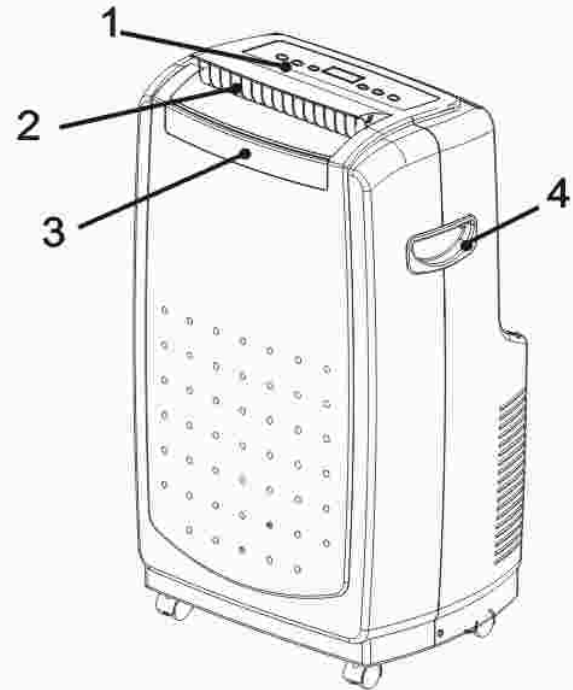
## Avantages de ce Model

1. Ce model est facile a operer. L'electronique a un minuteur, thermostat, trois vitesses pour refroidir, trois ventilateurs et une vitesse de dehumidification (seche).
2. Ce climatiseur portatif n'exige pas que l'eau soit ajotee.
3. Ce produit a une conception unique qui evapore l'eau. Donc une tank de condensation n'est pas necessaire . Ceci vous evitera de vous lever au milieu de la nuit pour vider le seau et virez le produit.
4. Une trousse de fenetre facile a installer est incluse et est constituee d'un tuyau d'echappement, de 2 jets de tuyau, d'une trousse de panneaux de fenetre, d'un connecteur du tuyau d'echappement.
5. Roulettes directionelles sont inclus pour aider a deplacer le produit d'une maniere commode pour etre utiliser dans presque n'importe quel domaine.
6. L'ecran du filtre est conçu pour l'acces facilement.
7. Les climatiseurs portatifs sont faciles a emmagasiner quand pas utilizes.

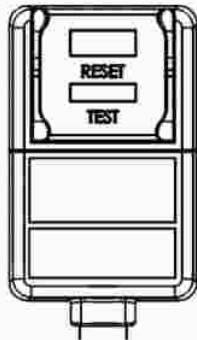
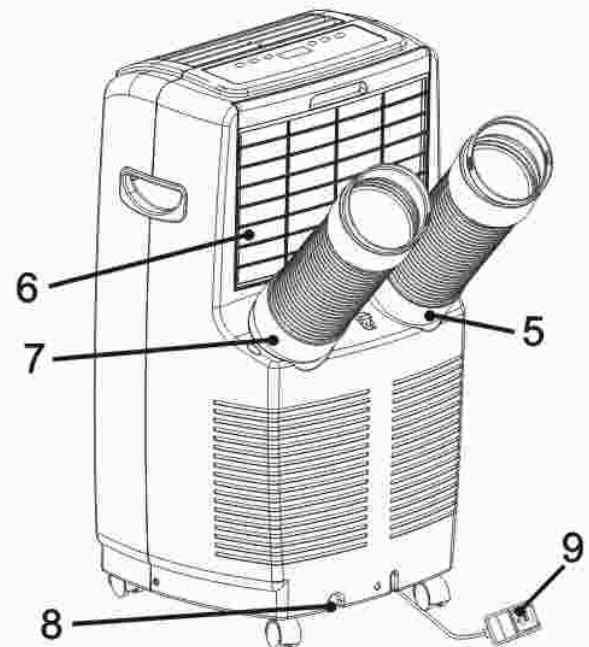
# Parties et Caracteristiques

1. Control du panneau
2. Sortie d'air froid
3. Signal du recepteur
4. Poignee de transport
5. Tuyau de sortie d'air
6. Evaporation d'entrée d'air
7. Tuyau d'entrée d'air
8. Tuyau d'ecoulement
9. Fil d'alimentation

## Front



## Rear



- **Bouton d'essai :** Lorsque vous appuyez sur ce bouton ou lorsqu'il y a une fuite le témoin lumineux s'éteindra et l'appareil ne fonctionnera pas.
- **Bouton de réinitialisation :** Après avoir réglé le problème, appuyez sur ce bouton et l'appareil fonctionnera

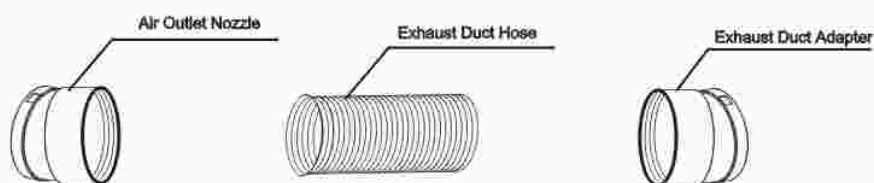
# Assemblee et Installation

## Instructions d'assemblage

- A. Connectez le tuyau d'échappement au dos de l'unité. Etendez le tuyau a la longueur desirée et connectez a la trousse de fenetre.



## QUAND VOUS UTILISEZ LE TUYAU D'ÉCHAPPEMENT

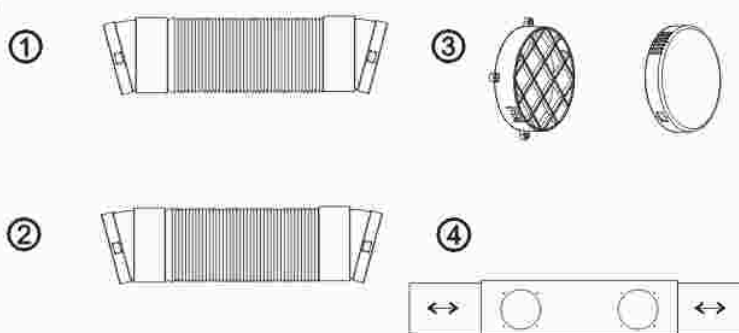


1. Inserez le bout du tuyau d'échappement dans l'embout du refoulement d'air et extrayez le conduit "A" jusqu'à l'arrêt.
2. Fixez le tuyau d'échappement "A" a la sortie d'échappement sur l'arriere de l'unité. Pour terminer glissez la prise appropriée vers le bas au dessus du tuyau d'échappement en s'assurant que les sur le tuyau sont engages dans les entailles de la prise.
3. Le tuyau d'échappement claque pour s'adopter dans l'unité. Pour l'enlever, tournez le dans le des d'une montre et retirez le.  
Note: Le tuyau d'échappement doit être monte du cote droit. (voir fig. 1)
4. Etendez le tuyau d'échappement autant que possible pour emprisonner le bout du d'échappement d'air fermez la fenetre.

- B. Repetez les memes demarches pour le tuyau d'entrée d'air.

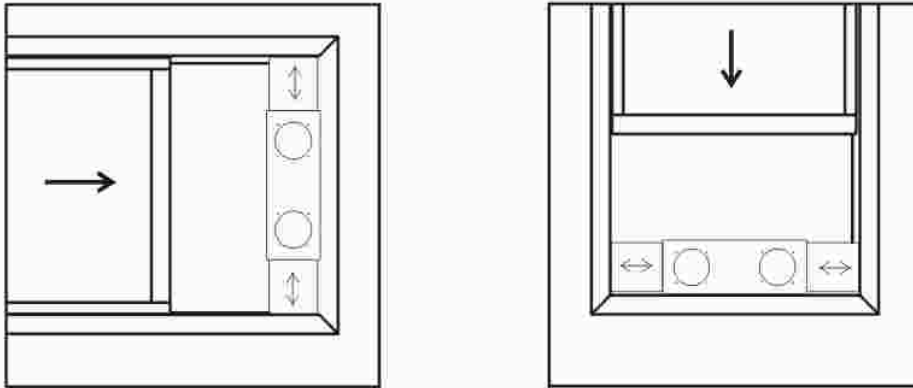
## UTILISANT LA TROUSSE DU DE FENETRE

1. Tuyau d'entrée d'air - 1 complet
2. Tuay de sortie d'air - 1 complet
3. Adaptateur tuyau d'échappement de la fenetre - 2 pieces
4. Trousse de la glisserie de la fenetre/patio - 1 complet



La trousse de fenetre a ete concue pour adapter la plus part de fenetres standards, horizontales ou verticales. Cependant , il sera peut-etre necessaire que vous improvisez ou modifiez certains aspects d'installation pour certains types de fenetre. S'il vous plait, referez vous pour le minimum ou maximum ouverture de fenetre.

Note: Trousse de fenetre sont disponibles pour certains models.



#### Instruction d'installation

- La prise de sortie d'air du cote interieur ne peut pas etre bloquee rideaux quelque chose semblable.
- La fin du tuyau d'air ne peut pas etre bloquee par des volets ou quelque chose semblable.
- Ne pas courber le tuyau en assemblant, gardez le directement droit.
- Quand l'unite est dans le mode refroidissant ou sec, la condensation se concentrera dans la boite d'eau de chassis. Quand la boite est pleine , l'indicateur d'eau scintillera (rouge), Ace moment, il faut fermer le fil d'alimentation, puis soutirer le tampon en caoutchouc sous l'unite, egouter l'eau dans un recipient prepare, ou egouter l'eau en deplacant l'unite dans une place convenable.

Note: L'eau doit etre drainer quand la lumiere indiquant que l'eau est remplie s'allume. Autrement, l'unite ne fonctionnera pas.

- Choisissez une bonne place pour le climatiseur. Ca doit etre a cote d'une fenetre, d'une porte a l'exterieur, ou une porte-fenetre.
- Laissez la distance demandee entre le retour de la sortie d'air et le ou autre obstacle d'au moins 20".
- Mettez une fin du tuyau sur le tuyau de rentree ou sortie d'air en dessous de l'unite.
- Prolongez les tuyaux d'air pour vous assurer qu'ils sont assez longs pour degager la fenetre, la porte, la porte-fenetre ou le trou que vous avez choisi comme passage.
- Les tuyaux de sortie ou d'entree d'air ne doivent pas etre bloques par les grilles protectifs ou quelque chose semblable.

- **La distance entre le 2 fins du tuyau doit etre 8" minimum.**

**Note: La capacite du refroidissement diminuera en utilisant un seul tuyau.**

## La Sequence d'Installation

Avant de commencer cet unite

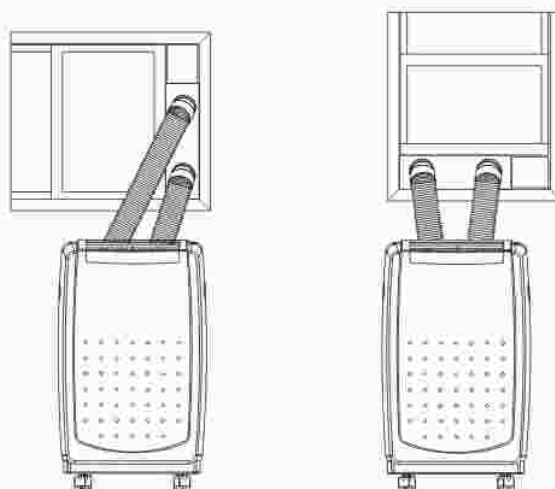
1. Choisissez une location convenable, et soyez sure d'avoir un acces facile a une prise electrique.
2. Installez le tuyau d'echappement flexible et ajustez la trousse de fenetre coulisse comme vue la fig.2

Note: 1. L'etape 2 est seulement exigee quand vous utilisez le mode froid ou sec. dans le mode refroidissant , vous pouvez installez 2 tuyaux ou le tuyau de sortie d'air seulement; dans le mode sec, vous pouvez installer 1 tuyau de sortie d'air seulement.

2. Durant le courant ou l'installation, les tuyaux ne peuvent pas etre bloques par les rideaux et ansi de suite.
3. Branchez l'unit dans une prise electrique . S'il vous plai, choisissez une base d'alimentation correspondante.

Note: Ne pas utiliser une rallonge reguliere.

4. Pour tourner l'appareil, pressez sur le bouton ON/OFF.



# Operation

**NOTE:** Attendez 24 heures pour tourner le climatiseur si le produit a été penché pour n'importe quelle raison. Ceci est pour régler et niveler les pétroles

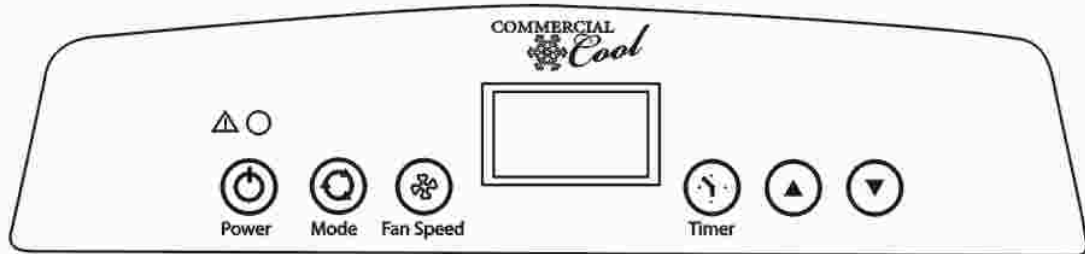
1. Attendez 3 minutes avant de remettre en marche le produit après une panne normale pour compléter le cycle de compresseur.
2. Utilisez un 115v 15sortie de amp pour le climatiseur. Ne pas utiliser autre appareils electriques sur cette ligne ou vous pouvez trebucher le fusible. Utilisez une ligne dediee pour ce climatiseur.
3. Ne pas placer le climatiseur dand la lumiere du soleil directe ou pres des chauffages. Exemples.. les appareils de chauffage, de plinth, des fours etc...
4. Operez sur une surface plate seulement
5. Gardez le produit libre d'obstructures tels que les rideaux,tentures , persiennes etc.
6. Gardez le produit au moins 1 foot eloigne du mur.
7. Verifiez et nettoyez le filtre une fois chaque semaine pour recevoir la plus haute efficacite.

**NOTE:** Ne pas utiliser le produit sans le filtre.

8. Si le produit n'est pas utilise pur une longue periode de temps, enlevez le bouchon du tyau d'egout d'eau et drainez l'eau condensee

Quand vous mettez en marche le climatiseur pour la premiere fois, après l'avoir branche, le ventilateur commencera a froid bas. La temperature lue sur le LED sera la temperature de la salle. En tournant le produit regulierement , il se souviendra du reglace du dernier eteint. Si vous voulez operer le climatiseur comme un dehumidifier, ajustez alors pour la mode seche.

## Control de Panneaux



- Mode de refroidissement
- Mode de deshumidification
- Mode de ventilation
- Mode de chauffage (Model CPRD12KH7 seulement)
- Mode haute de ventilation
- Mode moyenne de ventilation
- Mode basse de ventilation

- Affichage de temperature choisie
- Lumiere d'alarme, la machine cessera de fonctionner
- Affichage du minuteur choisi pour le commutateur On/ Off

# Control de Panneaux (continué)

## Control de Pouvoir

Le control de pouvoir tourne l'appareil, ON et OFF.

## Lumiere d'avertissement

Ne pas operer l'unité si la lumiere d'avertissement est allumee. S'il vous plait appelez le service et prenez l'unité au plus proche centre maintenance.

## Mode Control

Le mode control a 3 reglages:

- Froid • Dehumidifier
  - Chauffage (seulement CPRD12XH7)/ventilateur
- Les reglages sont ajustes avec le bouton du mode de control. Une lumiere verte vous indiquera quel reglage est actuellement utilise.

## Mode Refroidissant

Pendant le mode refroidissant "❄️", l'air est refroidi et l'air chaud est epuise a l'exterieur par le tuyau d'echappement. Ajustez la vitesse du ventilateur et temperature a votre confort desire.

## Mode Dehumidifier

L'air est dehumidifie "☁️" en passant par le climatiseur sans etre dans un mode tout a fait refroidissant. (Note: le tuyau d'echappement d'air chaud doit ventiller dans la chambre, pas dehors comme il fait en refroidissant. Si l'unité est ventille au dehors, un refroidissement occurrera.)

## Mode de Chauffage (Model CPRD12XH7 seulement)

Quand le mode de chauffage est choisi, "☀️" apparaitra sur l'affichage LCD. Le chauffage est active seulement quand la temperature ambiante est au dessous de 27degresC. Dans cet mode, la temperature desiree peut etre choisie entre 16 et 27degresC.

Note: Quand l'appareil est sur le mode de chauffage, les 2 tuyaux d'air doivent etre connectes et menes au dehors de la salle.

## Vitesse de Ventilateur

Le control de vitesse du ventilateur a 3 reglages. Haut, Moyen et bas. Dans le dehumidifier ou Mode Sec, le ventilateur

## Minuteur

Eteindre automatiquement

Quand la machine est en marche, appuyez la touche du minuteur pour choisir le controle du minuteur. Appuyez la touche "⬆️" ou "⬇️" pour choisir le nombre d'heures vous voulez la machine en marche avant de s'eteindre automatiquement. Eteindre automatiquement Quand la machine est neutre, appuyez la touche du minuteur pour choisir le controle du minuteur. Appuyez la touche "⬆️" ou "⬇️" pour choisir le nombre d'heures avant que la machine se met en marche automatiquement dans le mode de refroidissement  
Note: le temps est ajustable entre 1-24 heures

## Controles de temperature

- Utilises pour ajuster le thermostat
  - L'affichage de default est la temperature ambiante
  - Dans le mode de refroidissement, quand la touche "⬆️" ou "⬇️" est appuyee, la temperature choisie est affichee et peut etre ajustee. Apres 15 secondes l'affichage retournera a la temperature ambiante. La temperature est seulement ajustable dans le mode de refroidissement.
- Note" En appuyant aux touches "⬆️" et "⬇️" en meme temps pour plus que 3 secondes, l'affichage basculera entre Celsius et Fahrenheit.

# Telecommande Operations

## Vitesse de Ventilateur

Le control de vitesse du ventilateur a 3 réglages. Haut, Moyen et bas. Dans le dehumidifier ou Mode Sec, le ventilateur opere seulement sur vitesse basse.

## Minuteur

### Fermeture automatique de l'unité:

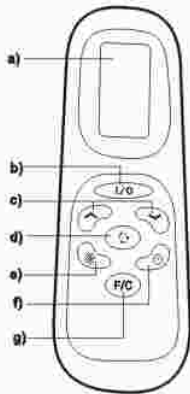
Quand l'unité est sur le mode ventilateur, pressez le minuteur pour choisir combien d'heures vous desirez l'unité de travailler dans le mode de conditionnement jusqu'à ce qu'il s'éteint automatiquement.

### Ouverture automatique de l'unité:

Quand l'unité est fermée, pressez le minuteur pour choisir dans combien d'heures vous desirez l'unité de travailler automatiquement dans le mode de conditionnement.

## Minuteur/ boutons de Temperature

- Utilisez pour ajuster minuteur et thermostat.
- Le moniteur implicite est la temperature de la chambre
- Quand le " " ou " " bouton est appuye, la temperature reglee est indiquee et peut etre ajustee. 15 secondes après, la temperature de la chambre reapparaîtra sur le moniteur.
- La temperature peut etre abaissee ou rehaussee dans le mode de refroidissement et dehumidifier ou mode sec. La temperature ne peut pas etre ajustee dans le mode de ventilateur.



- Ecran LCD
- Bouton de puissance Ouvert/Ferme ON/OFF
- Bouton du réglage du thermostat et minuteur
- Mode bouton (Choisissez Climateiseur, Ventilateur, ou Deshumidificateur)
- Bouton de la vitesse du ventilateur du climatiseur (Haute, Moyenne, Basse)
- Minuteur Ouvert/Ferme ON/OFF
- Selectionneur Fahrenheit/Celsius

## PROGRAMMEZ LE MINUTEUR

1. Appuyez le (⊙) bouton sur la telecommande ou le bouton du " Réglage du mineuteur" sur le panneau de controle pour mettre en marche la fonction du minuteur
2. Appuyez le (^) ou le (v) bouton sur la telecommande ou le (Δ) ou (▽) bouton du panneau de controle pour regler l'heure ou vous voulez eteindre l'unité
3. L'unité s'éteindra quand le temps indique passera

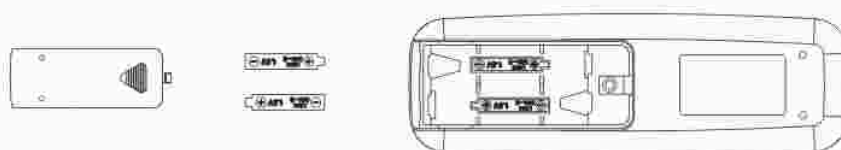
## OPERATION DU DESHUMIDIFICATEUR

Appuyez le (⊙) bouton sur la telecommande ou le Mode bouton sur le panneau de controle pour choisir le mode du deshumidificateur. Quand le mode de ce dernier est en marche, les boutons de temperature et les boutons du ventilateur ne fonctionneront pas et le ventilateur fonctionnera sur une vitesse basse. Tout le temps que l'unité est sous deshumidification, l'indicateur de la lumiere du deshumidificateur sera allume. La lumiere du dehumidificateur clignotera. N'oubliez pas que le tuyau d'échappement n'a pas besoin d'être utilise dans les mode de deshumidification.

### Telecommande du climatiseur

Les fonctions travaillent pareillement au climatiseur aux controls touchables.

Piles: enlevez la couverture du dos de la telecommande et inserez les piles avec les (+) et (-) indiquants dans la propre direction.



### AVERTISSEMENT

Utilisez seulement AAA ou IEC R03 1.5V piles

Enlevez les piles si la telecommande ne sera pas utilisee pour un mois ou plus.

Ne pas tentez de recharger les piles founies.

Toutes les piles doivent etre replacees en meme temps.

Ne disposez pas des piles dans un feu, comme ils peuvent exploser.

## Specifications du produit

Voltage et frequence	115V / 60Hz
Les données Propulsent	1200/1000W
Refroidir la capacite	12,000 BTU REFROIDIR 9,500 BTU CHALEUR (Modèle CPRD12XH7 Seulement)
Enlever l'humidite (pints/jour)	100
Agent de refroidissement	R-22/19.1 OZ.
Minuteur	24 Hours
Portee de temperature d'operation	16°- 38°C
Dimensions (WxDxH)	500mm x 400mm x 845mm
Poids net en lbs approximativement	36 Kg.
Fil d'alimentation	1.8 meter
Tuyau d'echappement	1.5 meter

# Guide de Nettoyage et de Soins

- Debranchez toujours votre climatiseur avant de le nettoyer.
- Les filtres doivent être nettoyés au moins une fois par semaine pour que votre produit opère à l'efficacité optimum. Le filtre peut être lavé ou aspiré. Enlevez l'excès d'eau du filtre, secouez doucement. Ceci enlèvera la poussière et les particules pris au piège dans le filtre. Après avoir nettoyé, réinstallez le filtre. **NE PAS** utiliser votre climatiseur sans le filtre à sa place.
- Pour nettoyer le placard, n'utilisez jamais les produits chimiques rugueux, abrasifs, l'ammoniac, le chlore. Une partie de ces produits chimiques peuvent dissoudre, endommager et /ou **NE PAS** décolorer votre climatiseur.
- Utilisez toujours un tissu doux avec de l'eau au savon et nettoyez le devant du placard. Séchez avec un tissu doux.

## Emmagasinement

- Pour emmagasiner votre climatiseur quand vous ne l'utilisez pas pour une longue période de temps, drainez l'eau condensée en utilisant le tuyau d'évacuation. Enlevez le tuyau d'échappement, nettoyez les filtres puis couvrez-le avec des sacs en plastique et emmagasinez.

## Détection de panne

### Si le climatiseur ne fonctionne pas:

- Assurez-vous que le produit est branché, la prise peut être décrochée.
- Assurez-vous que la prise murale est au voltage approprié.
- Assurez-vous si le disjoncteur a besoin d'être remis à l'état initial ou si le fusible doit être remplacé.
- Assurez-vous si le produit est sur le mode OFF.
- La lumière du réservoir indiquant qu'il est plein, appelez le service.

### Le climatiseur en marche, mais la salle ne se refroidit pas:

- La salle peut avoir des appareils qui produisent de la chaleur. Utilisez un ventilateur d'échappement pour enlever l'excès de chaleur.
- Assurez-vous la bonne installation du tuyau d'échappement.
- Déviez le courant d'air. Enlevez tous les obstacles.
- Toutes les portes et fenêtres doivent être fermées pour que l'air n'échappe pas de la salle.
- Les filtres peuvent être bloqués ou doivent être nettoyés.
- Le BTU de produit peut être très bas pour la chambre à refroidir.
- Quand la chaleur et l'humidité sont extrêmes, le climatiseur prendra du temps pour refroidir la salle.
- Égouttez l'eau du tuyau d'évacuation en le débranchant.
- Le produit peut être dans le mode sec ou ventilateur. Mettez le climatiseur sur le mode frais.

# Garantie Limitée

**Cette garantie couvre les pièces suivantes du climatiseur contre tous vices de fabrication et de matériaux:**

1. Les pièces mécaniques et électriques (y compris les frais de main d'oeuvre) de ce produit pour une période de 12 mois à partir de la date d'achat (pour utilisation commerciale et location, la garantie est de 90 jours).

2. Le système scellé et le compresseur contenu à l'intérieur de ce produit pour une période de 7 ans à partir de la date d'achat (frais de main d'oeuvre non compris après les 12 premiers mois de couverture). Si l'appareil est utilisé commercialement ou en location, la garantie supplémentaire du compresseur est de 1 à 9 mois (frais de main d'oeuvre non compris après les 90 premiers jours).

**Veillez conserver votre reçu de vente daté comme preuve d'achat.**

## Qui est couvert?

L'acheteur d'origine ayant fait l'acquisition de cet appareil.

## Quelles sont les réparations couvertes?

Haier America s'engage à réparer ou à remplacer à votre domicile et pour une durée de 12 mois, toute pièce mécanique ou électrique du compresseur ayant été déterminée défectueuse suite à une utilisation jugée normale. Haier America s'engage à réparer ou à remplacer (frais de main d'oeuvre non compris) le système scellé et le compresseur (pièces uniquement) pour une période supplémentaire de 6 ans.

## Démarches à suivre pour réparations

1. Contactez votre centre de réparation agréé Haier America le plus proche. Pour connaître le nom du centre agréé Haier America le plus proche, composez le (877) 337-3639.
2. Toute réparation doit être effectuée par un centre de réparation agréé Haier America.

**CETTE GARANTIE COUVRE LES APPAREILS AUX ÉTATS-UNIS ET À PUERTO RICO ET NE COUVRE PAS:**

- Les dommages survenant suite à une installation incorrecte.
- Les dommages survenant lors du transport.
- Les dommages et dégâts suite à toute utilisation incorrecte ou excessive, négligence ou modification, tout accident ou entretien incorrect.
- Les dommages suite à des réparations ayant été effectuées par un concessionnaire ou revendeur autre que par un centre de réparation agréé.
- Les frais de main d'oeuvre, de réparations, de transport et tous frais d'expédition couvrant le démontage de pièces et le montage des pièces de rechange au-delà des 12 premiers mois.

LA PRÉSENTE GARANTIE REMPLACE TOUTE AUTRE GARANTIE EXPRESSE OU IMPLICITE Y COMPRIS TOUTE GARANTIE DE COMMERCIALITÉ OU DE QUALITÉ MARCHANDE ET D'APTITUDE À UNE UTILISATION PARTICULIÈRE.

Le recours offert par la garantie est un recours exclusif et tient lieu de recours unique. Cette garantie ne couvre pas les dommages accessoires ou indirects. Certains états ou provinces ne permettent ni la limitation de la durée d'une garantie implicite ni l'exclusion de dommages indirects. Les limites ou exclusions mentionnées ci-dessus peuvent ne pas s'appliquer dans votre cas. Cette garantie vous confère des droits juridiques particuliers et il est possible que vous ayez d'autres droits qui peuvent varier selon l'état et la province.

# Palabras de Haier America

Gracias por comprar nuestro Acondicionador de Aire Commercial Cool, de bajo consumo de energía y práctico de utilizar. Este manual contiene información útil para la instalación, operación, mantenimiento y uso seguro de este producto. Su Acondicionador de aire limpia, enfría y deshumidifica el aire de la habitación de manera de obtener el mayor nivel de confort.

Por favor, lea las instrucciones cuidadosamente antes de utilizar este producto. No olvide de completar y enviar la tarjeta de **registro del producto**.

## Registro del Producto

### Guarde el número de modelo y de serie.

Para todos los llamados que usted realice al Centro de servicios dentro del período de garantía será necesaria la siguiente información. Adjunte la factura de compra a esta guía y guarde para futura referencia. Esta información se encuentra en la placa de su Acondicionador.

Número de modelo: .....






Número de serie: .....

Fecha de compra: .....

Nombre del distribuidor: .....

Dirección del distribuidor: .....

Teléfono del distribuidor: .....

TABLA					
TIPOS DE RECEPTACULOS					
VOLTIOS	125/60		250/60		
AMPS	15	20	15	20	30
TOMA DE PARED					
TAMAÑO FUSIBLE	15	20	20	30	30
DEMORA DEL FUSIBLE (Corta-circuitos)	ENCHUFE	ENCHUFE	ENCHUFE	ENCHUFE	ENCHUFE

# PRECAUCIONES PARA SU SEGURIDAD

**SEA CUIDADOSO: Siga todas las instrucciones antes de utilizar el Acondicionador de aire para reducir el riesgo de un shock eléctrico, daños o lesiones.**



- ▲ 1) Este acondicionador debe conectarse a la toma de corriente adecuada de acuerdo a las instrucciones de este manual. (Ver tabla)
- ▲ 2) Debe asegurarse una adecuada conexión a tierra para reducir el riesgo de shock. **NO CORTE O RETIRE EL CABLE DE CONEXIÓN A TIERRA.** Si usted no posee una toma de corriente con conexión a tierra llame a un técnico calificado para que realice la instalación necesaria y correcta.
- ▲ 3) No utilice este Acondicionador si el cable de corriente estuviera rasgado o dañado. Evite también el uso de la unidad si existen daños de abrasión en el enchufe, el conector, o si el Acondicionador no funcionara correctamente o estuviese dañado de cualquier manera. Contacte a un service autorizado para la reparación o ajustes.
- ▲ 4) **NO UTILICE UN ADAPTADOR O ALARGUE.**
  - 5) No bloquee o obstruya la corriente de aire alrededor de la unidad. Incluso la manguera de salida debe estar libre de cualquier obstrucción.
  - 6) Siempre desenchufe el acondicionador antes de realizar reparaciones o traslados del mismo.
  - 7) No instale u opere el Acondicionador en áreas donde la atmósfera posee gases combustibles. Evite que cualquier químico haga contacto con la unidad.
  - 8) No coloque ningún objeto arriba de la unidad.
  - 9) Nunca opere el Acondicionador sin los filtros en su lugar.
  - 10) Nunca utilice el Acondicionador cerca de una bañera, pileta de cocina o una ducha.

# Indice

PAGINA

<b>Palabra de Haier America</b> .....	<b>1</b>
<b>Registración del producto</b> .....	<b>1</b>
<b>Precauciones de seguridad</b> .....	<b>2</b>
<b>Ventajas</b> .....	<b>3</b>
<b>Partes y características</b> .....	<b>5</b>
<b>Ensamble e instalación</b> .....	<b>6</b>
<b>Operación</b> .....	<b>9</b>
<b>Especificaciones del producto</b> .....	<b>11</b>
<b>Cuidados y mantenimiento</b> .....	<b>13</b>
<b>Almacenaje</b> .....	<b>13</b>
<b>Problemas en la operación</b> .....	<b>13</b>
<b>Información de garantía</b> .....	<b>14</b>

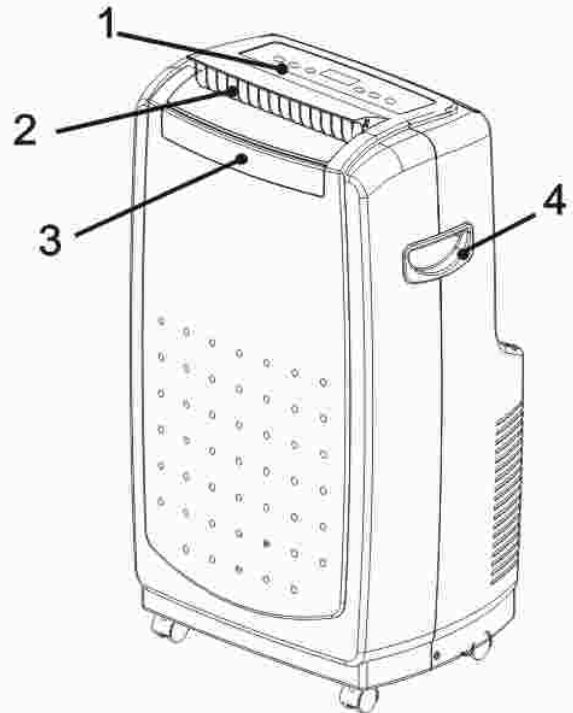
# Ventajas de este Modelo

1. Este modelo es fácil de operar. El panel electrónico de control manual posee termostato, timer, tres velocidades de enfriamiento, tres velocidades de ventilación y una velocidad de deshumidificación (Seco).
2. Este Acondicionador de aire no requiere agregado de agua.
3. La unidad es de un diseño único que evapora el agua. De esta manera no necesita de un tanque de condensación, evitando a usted el trabajo necesario de primero vaciar el recipiente de agua y luego encender la unidad.
4. Incluye un kit de fácil instalación en ventana que consta de una manguera de salida, 2 bocas de manguera, el panel para la ventana, Sistema de conexión de la manguera de salida y cobertor del mismo.
5. Cuenta con rueditas direccionales ajustables que ayudan a mover la unidad para utilizarse convenientemente en cualquier área.
6. El filtro es de fácil acceso y está diseñado para una limpieza fácil y rápida.
7. El Acondicionador de aire portátil es fácil de almacenar cuando no está en uso.

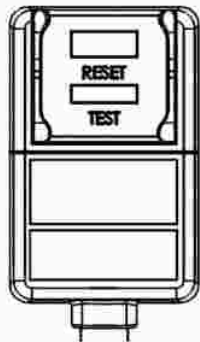
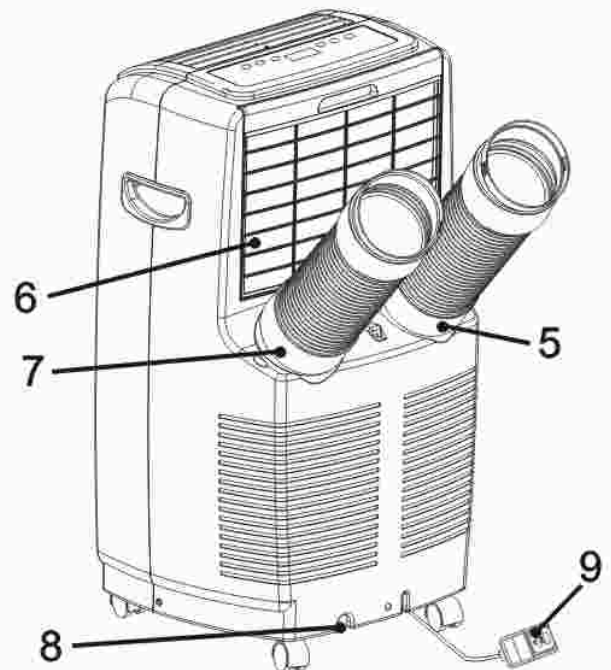
# Partes y Características

1. Panel de control
2. Salida de aire frío
3. Receptor de señal
4. Manija para transporte
5. Manguera de salida de aire
6. Evaporator la Toma Aérea
7. La Manga aérea de la Toma
8. Puerto de drenaje
9. Fuente de electricidad

## Front



## Rear



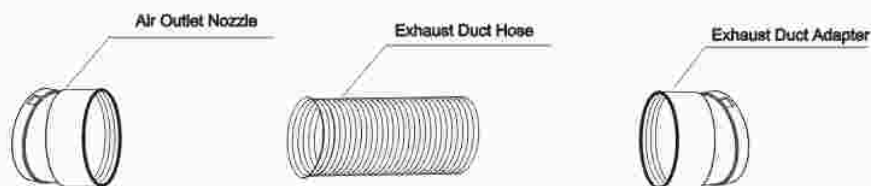
- TEST: WHEN THIS BUTTON IS PRESSED OR WHEN THERE IS A CURRENT LEAK, THE INDICATOR LIGHT WILL TURN OFF AND THE UNIT WILL NOT RUN.
- RESET: AFTER SOLVING THE PROBLEM, PLEASE PRESS THE BUTTON AND THE UNIT WILL START OPERATING.

# Ensamble e Instalación

## Ensamble e Instalación

A. Conecte la manguera de salida de aire en la parte trasera de la unidad. Extienda el tubo o manguera al largo que sea necesario y conecte al kit de la ventana.

### UTILIZANDO EL SET DE TUBOS DE SALIDA DE AIRE



1. Inserte un extremo de la manguera de salida a la boca de salida y el otro extremo al tubo de aire "A", girando hasta el final.
2. Conecte el tubo "A" a la salida de aire detrás de la unidad. Esto se logra deslizando el conector adecuado sobre la boca de salida y asegurándose de que las marcas de la boca encajen y traben en las ranuras del conector.
3. La manguera de salida se encuentra conectada dentro de la unidad. Para desenganchar la misma gire hacia la derecha y retire.

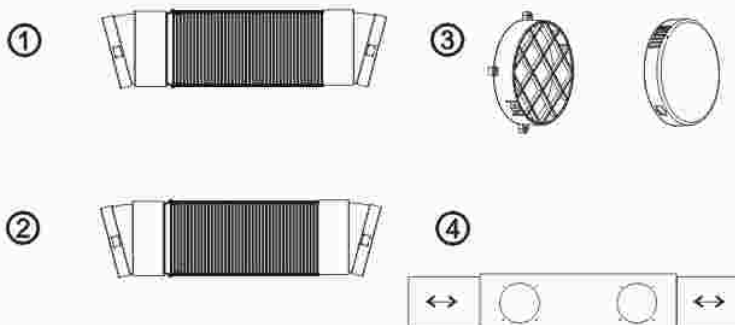
Nota: la manguera de salida de aire debe estar instalada del lado derecho. (ver fig. 1)

4. Extienda la manguera y cierre la ventana en lo posible encerrando la manguera.

B. Repita los mismos pasos para la manguera de entrada.

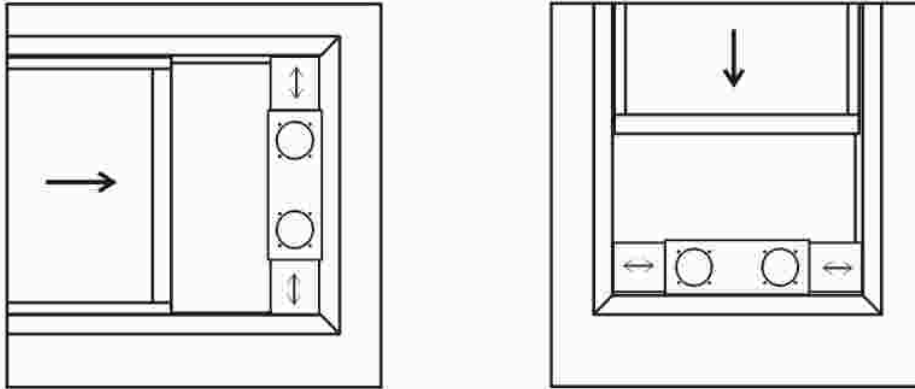
### UTILIZANDO EL PANEL DE VENTANA

1. Manguera de entrada de aire - 1 set
2. Manguera de salida de aire - 1 set
3. Adaptador de salida - 2 piezas
4. Kit para puerta o ventana - 1 set  
Instalación Kit de Ventana



Su kit de instalación para ventanas fue diseñado para utilizarse en la mayoría de las ventanas horizontales y verticales de tamaño estándar. De todos modos es probable que usted deba modificar algunos aspectos de la instalación para cierto tipo de ventana. Por favor, consulte por la abertura máxima y mínima de la ventana.

**Nota:** El kit de instalación para ventanas esta disponible solamente para modelos de AC.



### Instrucciones de Instalación

- La entrada y salida de aire de la unidad no debe ser bloqueada por cortinas, o elementos similares.
- El extremo de la manguera de salida de aire no debe estar bloqueado por postigones u otros.
- No doble la manguera durante la instalación, manténgala recta.
- Cuando la unidad opere el modo Refrigeración (cool) o Seco (dry), la condensación se concentrará en la caja de agua. Cuando la caja de agua esté llena la luz indicadora color rojo se encenderá. Usted deberá apagar el AC . luego desenchufar el tapón de goma del puerto de drenaje por debajo de la unidad y por último sacar el agua de la caja hacia otro recipiente o moviendo la unidad a un lugar apropiado.

Note: El agua debe retirarse siempre que la luz que indica que la caja está llena esté encendida. De otra manera la unidad no operará.

- Seleccione la mejor ubicación para el acondicionador de aire. Debe ser al lado de una ventana, de una puerta que dé al exterior o de una puerta-ventana.
- Mantenga la distancia requerida de por lo menos 20" entre la salida de devolución de aire y la pared u otro obstáculo.
- Instale un extremo de la manguera de aire en la toma o la salida de aire debajo de la unidad
- Extienda la manguera de aire para asegurarse de que sea lo suficientemente larga como para llegar a la ventana, puerta, puerta-ventana o agujero en la pared que haya elegido como salida de aire.
- Las entradas o salidas de aire no pueden estar bloqueadas o obstruidas por rejillas u otros protectores.
- La distancia entre los extremos de la manguera debe ser por lo menos de 8"

Nota: La capacidad de enfriamiento es menor cuando se utiliza una manguera de aire sola.

Fig. 3

## Secuencia de la instalación

Antes de operar la unidad

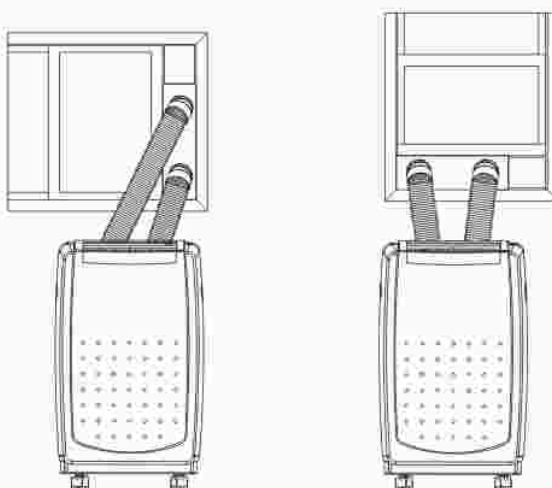
1. Seleccione una ubicación adecuada. Asegúrese de tener acceso a la instalación eléctrica.
2. Instale la manguera de salida de aire flexible y el kit deslizable para la ventana como se muestra en la figura 2 & 3.

Nota: 1. El paso 2 se requiere solamente cuando es utilizado el modo de Frío (cool) o Seco (dry). En el modo de enfriamiento usted puede elegir entre instalar dos mangueras o solamente la manguera de salida de aire. En el modo Dry usted puede instalar la manguera de salida de aire solamente.

2. Mientras opere la unidad o realice la instalación de las mangueras evite que haya obstrucciones de cortinas y demás.
3. Enchufe el Acondicionador a una toma de corriente eléctrica debidamente conectada a tierra. Seleccione la fuente de corriente adecuada de acuerdo a las indicaciones en la placa del fabricante.

Nota: No utilice extensiones para el cable

4. Para encender la unidad presione el botón ON/OFF

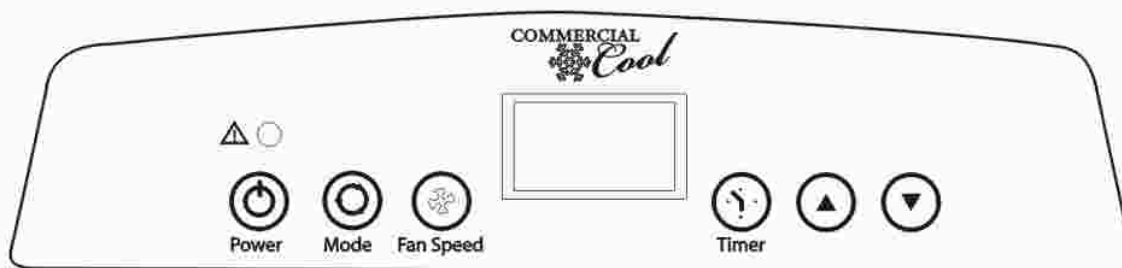


# Operación

NOTA: Espere unas 24 horas antes de encender la unidad si la misma hubiese estado recostada o inclinada por cualquier motivo. Esto es para que el líquido refrigerante se asiente y nivele.

1. Espere unos 3 minutos antes de encender la unidad luego de haberla apagado de manera de permitir al compresor terminar con el ciclo.
2. Utilice una toma de 115 volt y 15 amp. No utilice ningún otro electrodoméstico en la misma línea de corriente para evitar saltar los fusibles. Utilice una línea de corriente separada, exclusiva para el Acondicionador.
3. No coloque el Acondicionador en la luz directa del sol o cerca de otras fuentes de calor como estufas, calentadores, etc.
4. Opere la unidad solamente en una superficie pareja y chata.
5. Mantenga lejos de la unidad cualquier obstrucción como cortinas, persianas, etc.
6. Mantenga la unidad por lo menos un pie lejos de la pared.
7. Controle y limpie el filtro una vez a la semana para lograr una mayor eficiencia en el funcionamiento de la unidad. Nota: No opere el Acondicionador sin el filtro.
8. Si la unidad no fuese utilizada por un período largo de tiempo, por favor, retire el tubo de drenaje para que salga el agua acumulada. Cuando encienda el Acondicionador por primera vez el mismo comenzará a operar en un modo lento de enfriamiento. La temperatura que se leerá en la pantalla es la temperatura ambiente. Cuando encienda la unidad una vez en uso regular siempre comenzará a operar de acuerdo a la selección anterior. Si quiere operar la unidad como deshumidificador de aire presione entonces la opción "seco".

## Panel de Control



- Modo de enfriamiento
- Modo para deshumidificar
- Modo de sólo ventilador
- Modo de calefacción (Modelo CPRD12XH7 Solamente)
- Modo de ventilador alto
- Modo de ventilador medio
- Modo de ventilador bajo

- Visor de la temperatura fijada
- Luz de advertencia de que la máquina dejará de funcionar
- Visor de la configuración del temporizador para el apagado o encendido automático

# Panel de Control (continuado)

## Control de Encendido

Enciende y apaga la unidad.

## Luz indicadora

No opere la unidad si la luz esta apagada.  
Por favor llame al número de servicio y lleve su Acondicionador al centro de servicios cercano.

## Control de Funciones

Este control presenta 3 opciones:

- Refrigeración • Deshumerar
- Calor (solo CPRD12XH7)/Ventilación

La selección se realiza con el botón de funciones. Una luz verde indicará cual es la función que se está utilizando en el momento.

## Función de refrigeración

Durante la función de refrigeración "❄️" el aire es enfriado y el aire cálido es expedito al exterior a través del tubo de salida. Ajuste la velocidad de ventilación y la temperatura al nivel que usted crea conveniente.

## Función Deshumerar

El aire es deshumedecido "☁️" mientras pasa por el acondicionador de aire sin estar en la función de refrigeración. (Nota: la manguera de salida del aire cálido deberá desembocar dentro del cuarto, no fuera como en el modo de refrigeración. Si la unidad exterior es que algo enfríe el aire)

## Velocidad de Ventilación

El control de velocidad de ventilación posee tres opciones: ALTA, MEDIA, o BAJA. En la función de "deshumerar" o "seco" el ventilador sólo opera a velocidad baja.

## Modo de calefacción (Sólo modelo CPRD12XH7)

Cuando se selecciona el modo de calefacción, "☀️" aparecerá en el visor LCD. La calefacción se activa solamente cuando la temperatura ambiente está por debajo de los 27°C. En este modo, la temperatura deseada puede configurarse entre los 16 y los 27°C.

Nota: Cuando el artefacto está en el modo de calefacción, las dos mangueras de aire deben estar conectadas y con salida al exterior.

## Temporizador

Apagado automático:

Con la máquina en el modo de funcionamiento, presione el botón del temporizador para configurar el control del temporizador. Presione "⬆️" o "⬇️" para seleccionar la cantidad de horas que desea que la unidad funcione antes de apagarse automáticamente.

Encendido automático:

Con la máquina en el modo en espera, presione el botón del temporizador para configurar el control del temporizador. Presione "⬆️" o "⬇️" para seleccionar la cantidad de horas que deben pasar antes de que la unidad comience a funcionar automáticamente en el modo acondicionador de aire.

Nota: El tiempo puede determinarse en entre 1 y 24 horas.

## Controles de temperatura

- Utilizado para regular el termostato
- Lo que se muestra por defecto es la temperatura ambiente
- En el modo enfriamiento, cuando se presiona el botón "⬆️" o "⬇️", se muestra la temperatura fijada, que puede ser regulada. Después de 1.5 segundos, el visor volverá a la temperatura ambiente. La temperatura puede regularse solamente en el modo de enfriamiento.

Nota: si presiona los botones "⬆️" / "⬇️" al mismo tiempo durante más de 3 segundos, el visor pasará de Celsius a Fahrenheit y viceversa.

# Operaciones del Control Remoto

## Vitesse de Ventilateur

Le control de vitesse du ventilateur a 3 réglages. Haut, Moyen et bas. Dans le dehumidifier ou Mode Sec, le ventilateur opere seulement sur vitesse basse.

## Minuteur

### Fermeture automatique de l'unité:

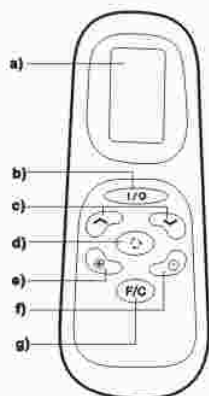
Quand l'unité est sur le mode ventilateur, pressez le minuteur pour choisir combien d'heures vous desirez l'unité de travailler dans le mode de conditionnement jusqu'à ce qu'il s'éteint automatiquement.

### Ouverture automatique de l'unité:

Quand l'unité est fermée, pressez le minuteur pour choisir dans combien d'heures vous desirez l'unité de travailler automatiquement dans le mode de conditionnement.

## Minuteur/ boutons de Temperature

- Utilisez pour ajuster minuteur et thermostat.
- Le moniteur implicite est la temperature de la chambre
- Quand le "△" ou "▽" bouton est appuyé, la temperature réglée est indiquée et peut être ajustée. 15 secondes après, la temperature de la chambre reapparaît sur le moniteur.
- La temperature peut être abaissée ou rehaussée dans le mode de refroidissement et dehumidifier ou mode sec. La temperature ne peut pas être ajustée dans le mode de ventilateur.



- a) . Ecran LCD
- b) Bouton de puissance Ouvert/Ferme ON/OFF
- c) Bouton du réglage du thermostat et minuteur
- d) Mode bouton (Choisissez Climateiseur, Ventilateur, ou Deshumidificateur)
- e) Bouton de la vitesse du ventilateur du climatiseur (Haute, Moyenne, Basse)
- f) Minuteur Ouvert/Ferme ON/OFF
- g) Selectionneur Fahrenheit/Celsius

## PROGRAMMEZ LE MINUTEUR

1. Appuyez le (⊙) bouton sur la telecommande ou le bouton du " Réglage du mineuteur" sur le panneau de controle pour mettre en marche la fonction du minuteur
2. Appuyez le (^) ou le (v) bouton sur la telecommande ou le (△) ou (▽) bouton du panneau de controle pour regler l'heure ou vous voulez eteindre l'unité
3. L'unité s'éteindra quand le temps indique passera

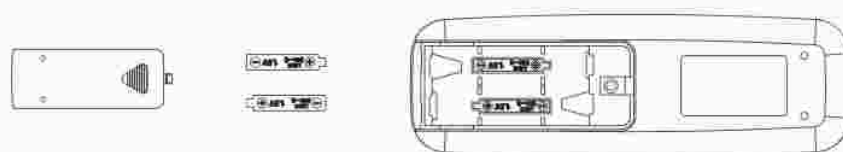
## OPERATION DU DESHUMIDIFICATEUR

Appuyez le (⊙) bouton sur la telecommande ou le Mode bouton sur le panneau de controle pour choisir le mode du deshumidificateur. Quand le mode de ce dernier est en marche, les boutons de temperature et les boutons du ventilateur ne fonctionneront pas et le ventilateur fonctionnera sur une vitesse basse. Tout le temps que l'unité est sous deshumidification, l'indicateur de la lumiere du deshumidificateur sera allumé. La lumiere du dehumidificateur clignotera. N'oubliez pas que le tuyau d'échappement n'a pas besoin d'être utilisé dans les mode de deshumidification.

### Control remoto del acondicionador de aire

Las funciones trabajan de la misma manera que en el panel de control del Acondicionador.

Baterías: Retire la tapa en la parte trasera de las baterías e inserte las batería con los polos (+) o (-) del lado indicado.



### PRECAUCION

Utilice solo baterías AAA o IEC R03 1.5V

Retire las baterías en caso de que el control no sea utilizado por un mes o más tiempo.

No intente recargar las baterías.

Todas las baterías deben cambiarse al mismo tiempo

No deseche las baterías viejas al fuego ya que puede causar explosión.

## Especificaciones del Producto

Consumo de energía	115V / 60Hz
Potencia	1200/1000W
Capacidad de enfriamiento	12,000 BTU Refresque 9,500 BTU Caliente (Modelo CPRD12XH7 Solamente)
Eliminación de la humedad (pint/día)	100
Refrigerante	R-22/19.1 OZ.
Reloj	24 Hours
Rango de temperaturas operables	16°- 38°C
Dimensiones (WxDxH)	500mm x 400mm x 845mm
Peso neto aproximado	36 Kg.
Cable de corriente	1.8 meter
Manguera de escape	1.5 meter

# Cuidado y Mantenimiento

- Siempre desenchufe la unidad antes de limpiar.
- El filtro de aire del Acondicionador necesita ser limpiado por lo menos una vez por semana para que la unidad pueda funcionar al máximo de eficiencia. El filtro puede retirarse de la parte trasera deslizando hacia adelante. El filtro puede ser lavado o aspirado. Retire el exceso de agua del filtro sacudiendolo. De esta manera desaparecerán las partículas de tierra y polvillo atrapados. Coloque nuevamente el filtro luego de la limpieza. **NO UTILICE** el acondicionador si el filtro no está en su lugar.
- Para limpiar el gabinete **NO UTILICE** químicos, abrasivos, amoníaco, cloro, blanquedor, detergentes concentrados, solventes o esponjitas de metal. Algunos de estos productos puede dañar el acabado o decolorar las superficies.
- Utilice un paño seco y suave o apenas humedecido con una solución de agua y detergente. Lave y seque con un repasador o paño.

## Almacenaje

- Para guardar el Acondicionador mientras no esté en uso por un largo período de tiempo retire restos de agua que hayan quedado en el tubo de drenaje. Retire también la manguera de salida, limpie los filtros, cubra con una bolsa de plástico y guarde.

## Problemas Frecuentes

### Si el acondicionador de aire no funciona:

- Controle que la unidad esté enchufada. El enchufe puede haberse aflojado.
- Controle que la toma de corriente sea del voltaje adecuado.
- Controle si se quemó algún fusible. Reemplaze el mismo.
- Verifique que la unidad esté en modo ON
- La luz indicadora de tanque lleno está encendida. Llame a un técnico.

### El Acondicionador no enfría lo suficiente:

- Puede haber otros aparatos en el área que irradian calor. Utilice la opción de ventilación para remover el aire caliente.
- Controle que la manguera de salida de calor este instalada correctamente.
- Redireccione la corriente de aire. Retire los obstáculos.
- Todas las puertas y ventanas deben estar cerradas de manera que el aire frío no escape.
- El filtro de aire puede estar bloqueado o necesita limpieza.
- La unidad BTU puede ser chica para la habitación.
- En días de calor y humedad extrema los Acondicionadores pueden demorar más tiempo que el normal en enfriar.
- Drene el agua del tubo de drenaje desenchufando el mismo.
- La unidad puede estar en el modo de ventilación o secada. Seleccione la opción "frío".

# Garantía Limitada

## Esta garantía cubre todos los defectos en el funcionamiento o materiales por:

1. Las partes mecánicas y eléctricas que posee este producto (incluyendo los costos de labor) por un período de 12 meses desde la fecha de compra. (90 días si fuese de aplicación comercial o renta)
2. El sistema sellado y el compresor comprendidos en este producto por un período de 7 años, desde la fecha de compra, (excluyendo los costos de labor luego de los 12 meses iniciales). Si fuese de uso comercial o renta la garantía adicional limitada del compresor es por 1 año y 9 meses (excluyendo los costos de labor luego de los 90 días iniciales).

## Usted debe conservar y disponer de la factura original de compra como prueba de la fecha de compra del producto.

### Quién está cubierto?

El minorista comprador del producto.

### Qué se hará?

Haier America reparará o cambiará, en su casa, cualquier parte mecánica o eléctrica que se muestre defectuosa en la operatoria normal y dentro del período de 12 meses.

Haier America reparará o cambiará (excluyendo los costos por labor) el sistema sellado o compresor (partes solamente) por un período adicional de 6 años.

### Cómo se obtiene el servicio?

1. Para obtener el servicio contacte al Departamento de servicios autorizado por Haier America más cercano al (877) 337-3639.
2. Toda reparación debe ser realizada por un Service Autorizado por Haier America.

## ESTA GARANTIA ACANZA A TODOS LAS UNIDADES DENTRO DE LOS ESTADOS UNIDOS, CANADA Y PUERTO RICO. NO ALCANZA LO SIGUIENTE:

- Daños por instalación inadecuada
- Daños en el embarque.
- Daños por desuso, accidente, abuso, alteración, falta de cuidado y mantenimiento adecuado
- Daños realizados por un service o persona no autorizada por Haier America.
- Labor, servicio, transporte y gastos de embarque por el reemplazo de las partes defectuosas e instalación de las nuevas partes, luego de los 12 meses iniciales.

ESTA GARANTIA LIMITADA ESTA DADA EN LUGAR DE CUALQUIER OTRA GARANTIA, EXPRESAS O NO, INCLUYENDO LA GARANTIA DE COMERCIALIZACION O PARA UN PROPOSITO EN PARTICULAR.

Las soluciones provistas en esta garantía son exclusivas y concedidas en lugar de cualquier otra garantía.

Esta garantía no cubre daños incidentales o consiguientes, de modo que las limitaciones anteriores pueden no alcanzarlo. Algunos Estados no permiten limitaciones en cuanto la duración de una garantía implícita, de modo que las limitaciones anteriores pueden no alcanzarlo.

Esta garantía le da derechos legales específicos, y usted gozará de otros derechos los cuales varían de Estado a Estado.

## **IMPORTANT**

### **Do Not Return This Product To The Store**

**If you have a problem with this product, please contact the "Haier America Customer Satisfaction Center" at 1-877-337-3639.**

**DATED PROOF OF PURCHASE, MODEL # AND SERIAL # REQUIRED FOR WARRANTY SERVICE**

## **IMPORTANT**

### **Ne pas retourner cet article au magasin**

**En cas de problème avec cet article, veuillez contacter le « Centre satisfaction client » de Haier America au 1-877-337-3639.**

**UNE PREUVE D'ACHAT DATÉE, LE NUMÉRO DU MODÈLE ET LE NUMÉRO DE SÉRIE SONT OBLIGATOIRES POUR BÉNÉFICIER DE LA COUVERTURE OFFERTE PAR LA GARANTIE.**

## **IMPORTANTE**

### **No Devuelva Este Producto al Establecimiento Compra.**

**Si tiene problemas con este producto, por favor póngase en contacto con el "Centro Haier America de Atención al Cliente" en el 1-877-337-3639.**

**PARA EL SERVICIO DE GARANTÍA SE REQUIERE PRUEBA DE COMPRA, FECHADA, No. DE MODELO Y No. DE SERIE**

Made in China

COMMERCIAL  
 *Cool*

Haier America  
New York, NY 10018

Printed in China

Issue: August 2007

Part: AC-9999-60