

This Owner's Manual is provided and hosted by [Appliance Factory Parts](#).



Haier HWS12VH6 Owner's Manual

[Shop genuine replacement parts for Haier HWS12VH6](#)



[Find Your Haier Air Conditioner Parts - Select From 735 Models](#)

----- Manual continues below -----

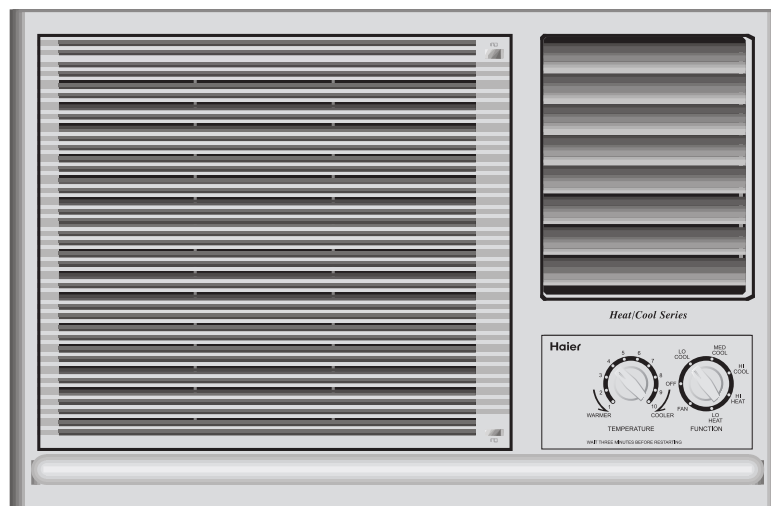
Haier

What The World Comes Home To™

Heat/Cool Room Air Conditioner Manual Control

*Climatisation de Pièce
à Commande Manuelle*

*Acondicionador De Aire
De Control Manual Para Habitación*



***User Manual
Manuel d'utilisation
Manual del Usuario***

***Read instructions before installing.
Call 1-877-337-3639 for questions on parts and services***

***Lire les instructions avant de procéder à l'installation.
Pour toutes questions concernant les pièces et l'entretien, composez le 1-877-337-3639.***

***Lea las Instrucciones antes de instalar el aparato
Llámenos al 1-877- 337-3639 si tiene preguntas sobre repuestos o ser***

0010546226

A Word From Haier

Thank You for buying a dependable, energy saving and easy to operate HAIER room air conditioner. This manual contains useful information for you to maintain, operate, install and safely use your room air conditioner. Your air conditioner cleans, cools, dehumidifies and heats the air in your room to provide you with the ultimate level of comfort.

Please read instructions carefully before using the product. Also, do not forget to fill out and mail the **Product Registration Card**.

Product Registration

Record Your Model and Serial Number.

For all your service calls during the warranty period the following information will be needed. Attach the sales receipt to this guide and keep for future reference. This information can be obtained from the serial plate, which is on your air conditioner. This is either on the cabinet (side or back) or you may have to remove the front grille to locate it.

Model Number:

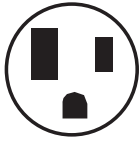
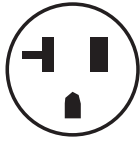

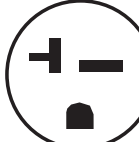
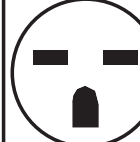
Serial Number:

Date of Purchase:

Dealer's Name:

Dealer's Address:

Dealer's Phone Number:

TABLE					
RECEPTACLE AND FUSE TYPES					
RATED VOLTS	125/60		250/60		
AMPS	15	20	15	20	30
WALL OUTLET					
FUSE SIZE	15	20*	15	20*	30
TIME DELAY FUSE (or circuit braker)	Plug	Plug	Plug		

SAFETY PRECAUTIONS

WARNING: *Following these basic precautions will reduce the risk of fire, electrical shock, injury or death when using your air conditioner.*







- 1) Air conditioner must be connected to proper electrical outlet with the correct electrical supply. *(see table)*
-  2) Proper grounding must be ensured to reduce the risk of shock and fire. **DO NOT CUT OR REMOVE THE GROUNDING PRONG.** If you do not have a three-prong electric receptacle outlet in the wall, have a certified electrician install the proper receptacle. The wall receptacle **MUST** be properly grounded.
-  3) Do not use if power cord is frayed or otherwise damaged. Also avoid using it if there are cracks or abrasion damage along the length, plug or connector.
-  4) **DO NOT USE AN ADAPTER OR AN EXTENSION CORD.**
-  5) When installing your air conditioner in a window, make sure the window is strong enough to hold the weight of the air conditioner. You also want to secure and correctly install your air conditioner properly to prevent it from falling. Extra brackets and or support may be required depending on your window.
- 6) Do not block airflow inside or outside the air conditioner with blinds, drapes, protective covers, shrubs or bushes.
- 7) Be careful of sharp edges on the front and rear fins of the unit that could cut and cause serious injury.
- 8) Be careful when lifting the air conditioner to install or remove the unit. Always use two or more people for this.
- 9) Always unplug the air conditioner before servicing it or moving it.

Table Of Contents

	PAGE
A Word From Haier	1
Product Registration	1
Safety Precautions	2
Warnings	4
Electrical Safety	4
Tips	5
Energy Saving Guide	5
Features	6
Operating Guide	7-8
Normal Operating Sounds	7
Operating Instructions	7-8
Installations	9-16
Parts Supplied	10
Tools	10
Steps for Installation	11-17
Clean and Care Guide	18
Troubleshooting	19 - 20
Warranty Information	21

WARNINGS



Following the safety messages is very important.

These messages can save you from being injured or killed.

Warning symbols alert you to be careful and means **Danger**. Always follow instructions to be safe and reduce chances of injury or death.

Warning and **Danger** signs will precede safety messages.

Electrical Safety



Grounding: This room air conditioner must be grounded. Grounding reduces the risk of electric shock by providing an escape wire for the electric current. The power cord has a grounding wire with a grounding plug. Plug it into an outlet that is properly installed and grounded.

WARNING: Improper use of the grounding plug can result in a risk of electric shock. Call a qualified electrician if you don't understand the grounding instructions or if you are not sure if the air conditioner is properly grounded. If the wall outlet is not grounded, please contact an electrician to have it replaced with a properly grounded outlet.

Do not, under any circumstances, cut or remove the third (ground) prong from the power cord.

Adapter Plug: We strongly advise against using an adapter plug.

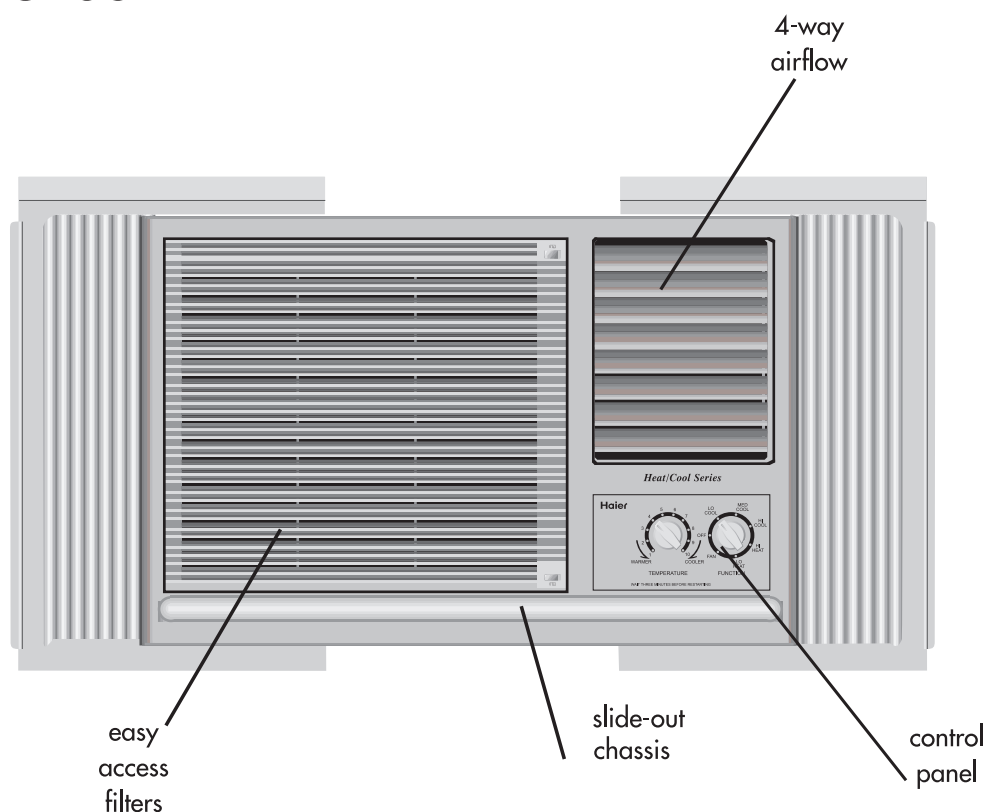
Tips

- Air Conditioners are designed for use in a double hung window or through the wall installation only. (As applicable in your model)
- While installing unit be sure to tilt air conditioner $1/4$ degree outward to have the water drip outside the house.
- Install the unit on the north side as normally that is the shaded side. This will enhance the operation of your unit.
- ⚠ • Window has to be strong for installation. Extra brackets and or support may be required depending on your window. (Brackets and Supports not included in all models)
- Measure the window before installing, if the window is too big for the unit you may require professional installation.
- ⚠ • Use correct electric voltage and proper ampere for the unit to run effectively.
- ⚠ • Only let a certified electrician do any modifications to your electrical outlet.
- Use a dedicated line for the operation of your air conditioner to avoid the possibility of an electrical surge.

Energy Saving Guide

- When installing your air conditioner make sure to seal all areas where there is a possibility of air leakage.
- Airflow should not be blocked inside either by curtains, drapes or furniture or outside by shrubs or bushes.
- Do not needlessly use an electrical light or other appliances that produce heat.
- Keep the vent closed on the air conditioner when in the cooling or heating function.
- Keep the blinds and the drapes drawn on all the other windows.
- While cooking use an exhaust fan in the kitchen to remove the excess heat produced.
- Always use the correct BTU size air conditioner to cool the room to attain optimum efficiency.

Features



1. Temperature Set Knob

This knob adjusts the temperature of the air. Higher the setting the cooler the air temperature. With this knob you can set the temperature to your desired comfort level. Warmer being the warmest and Cooler being the coldest.

2. Function Set Knob

With this knob you can control the fan speed as well as the cooling and heating speed. There are 3 knob positions on the A/C for you to select from. LO will circulate air at the lowest velocity MED at the middle level and HI will circulate at the maximum. You have 2 heating speeds to choose from HI and LO and a single fan speed.

3. Vent

This feature helps you to exhaust any stale unwanted air in the room and draw fresh outside air in the room. To circulate the air, bring the lever to the open position. (The lever should be in the closed mode to avoid loss of air to the outside when cooling or heating.)

4. 4 Way Air Flow

These air directional louvers let you control the direction of the airflow in your required direction. The airflow can be directed
up – down – right side – left side.

5. Slide Out Chassis

Your air conditioner becomes more versatile with this feature. You have the option to install the unit in a window or a wall.

6. Window Install Kit.

Enables you to install the air conditioner in a double hung window. Extra brackets or support may be needed depending on your window.

7. How The Unit Drains

On humid days with the air conditioner in use, moisture may collect on the pan or bottom of the air conditioner. If the unit is positioned properly the moisture will gather towards the back of the unit. This will not effect the operation of the unit and the moisture will evaporate in time. Occasional the moisture will flow over the back of the pan but this will not effect the operation of the unit. Never drill holes in the pan under any condition.

Operating Guide

Normal Operating Sounds

Following sounds are normally heard during the operation of an air conditioner.

- Thermostat clicks. As the thermostat cycles on/off you will hear this sound.
- Cool airflow movement as dictated by the set fan speed.
- Water sounds. This is normal since your air conditioner acts as a dehumidifier also. Thus you will hear water sounds from water drops falling on the condenser.
- As the refrigerant flows through the inner sealed tubing a rushing noise may be heard.
- Rattling or vibrating noises may be heard due to poor wall or window installation.
- High pitch compressor sound may be heard.

Operating Instructions

(See fig. # 1)

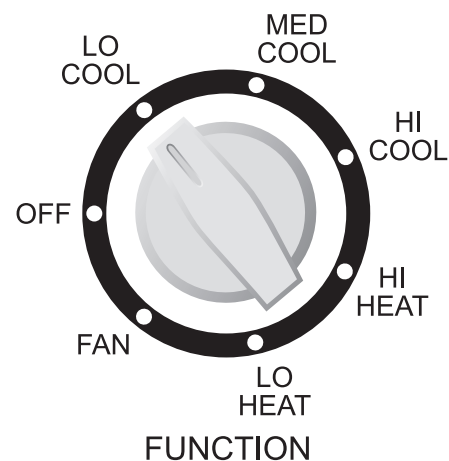
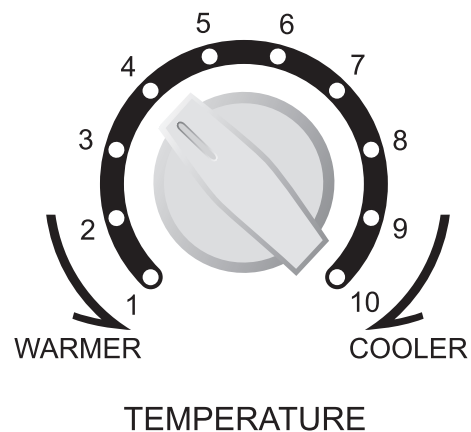


fig. # 1



After installing your air conditioner, plug it into the proper electrical outlet in the wall.

- 1) Select Med. A/C on the Function Set knob.
- 2) Set the Temperature Set knob at the mid level setting. This will turn on your air conditioner.
- 3) You can set the thermostat from Warmer to Cooler. Warmer being the warmest Cooler being the coldest.
- 4) Your air conditioner has 1 or 2 Fan speeds depending on your model purchased 3 A/C settings and 2 heat settings.
- 5) If your air conditioner has a Vent control make sure that it is on close. Leave it open only if you need to recycle the stale room air. By leaving it closed you will retain the air in the room.
- 6) Let your air conditioner run for a few minutes before adjusting to the desired settings.
- 7) **Remember** the compressor of your air conditioner **will not** work when the temperature goes below 65°F.
- 8) Also when you shut off the air conditioner wait for 3 minutes before turning it on again. This is the compressor cycle time.
- 9) If you have any trouble in operating your air conditioner please refer to the Trouble Shooting section.


Installations


Before you install your air conditioner check the following:

- 1) The unit is free of all obstructions inside and outside the room e.g. drapes, curtains, furniture, plants, shrubs, bushes, trees, other structures like building, garage etc. Air conditioner must have clear unobstructed airflow through the condenser to remove the heat.
- 2) The window is strong enough to hold the weight of the air conditioner. Extra brackets or supports may be needed depending on your windows. (Brackets or Supports not provided in all models)
- 3) The window sill and track are strong enough to hold the weight of the air conditioner.
- 4) The wall is strong enough to hold the unit. Extra brackets or supports may be needed depending on the wall. (Brackets or Supports not provided in all models).
- 5) There is adequate and proper power supply near the air conditioner.


 6) DO NOT use adapter plugs.

 7) DO NOT use extension cords.

 8) DO NOT cut or remove the ground prong.

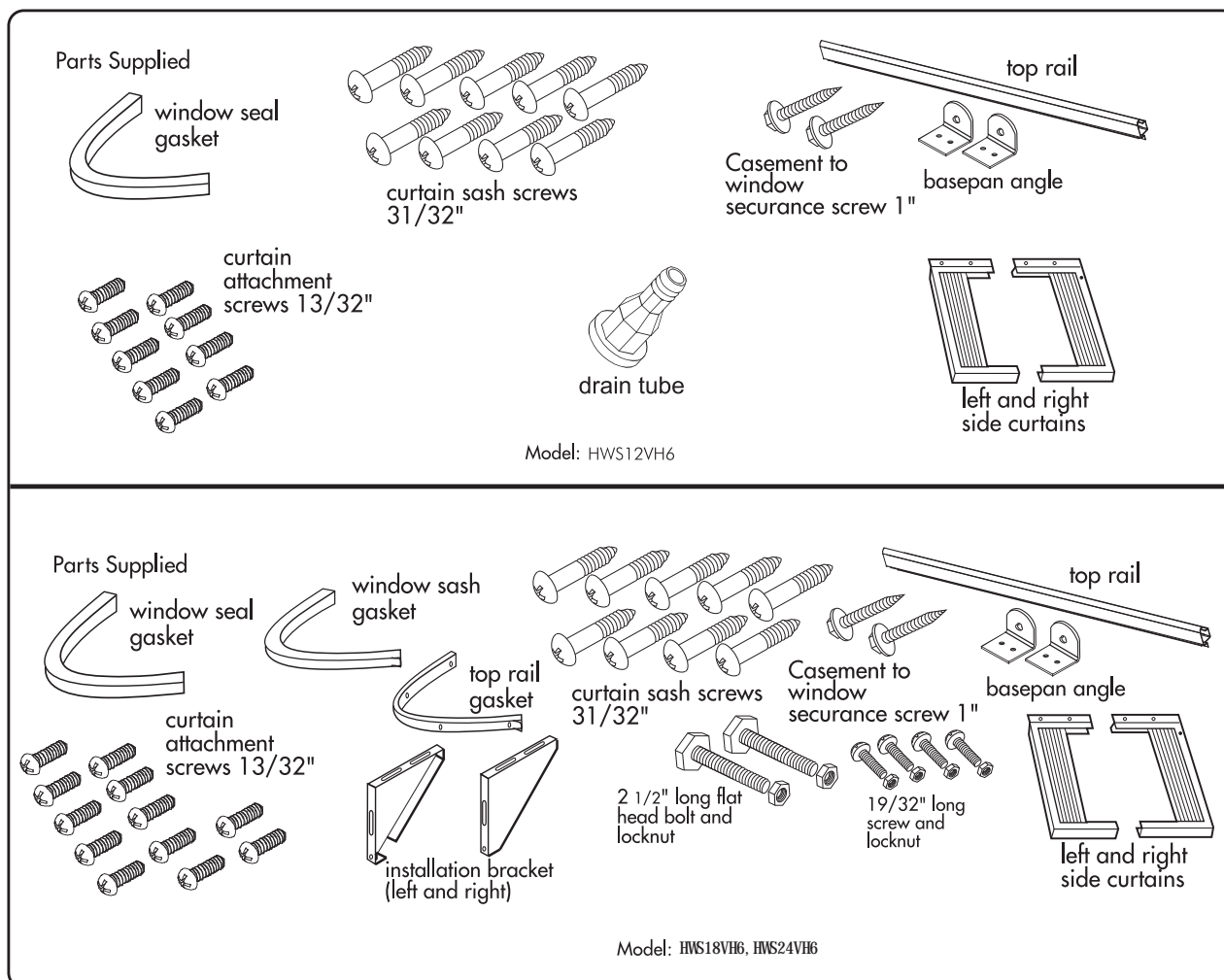
 9) DO NOT modify the plug or the electrical wall outlet in any way. If plug does not fit the electrical outlet have a certified electrician do the necessary change.

 10) DO NOT connect electrical power to the unit before installation.

 11) DO NOT use if power cord is worn out, frayed or otherwise damaged. Avoid using if there are cracks or abrasion damage along the length, plug or connection.

- 12) DO NOT install into any existing cabinet or sleeve which does not have side and top air vents.

Parts



Tools

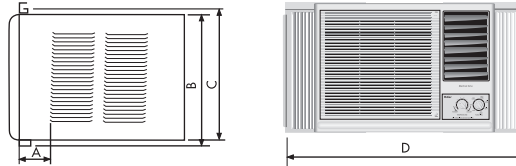
You will need to have the following tools to help you in the installation of your air conditioner.

- Scissors
- Phillips Screwdriver
- Standard Screwdriver
- Pliers
- Wrench
- Drill and Drill Bits
- Tape Measure
- Gloves
- Level
- Sockets

Installing Unit into A Window

Window Opening Requirements

The air conditioner is designed to fit into double or single hung sash type windows. Each of the units comes with an installation kit that provides adjustable mounting curtains, to fill the gaps between the sides of the unit, and the window frame. The chart below reflects the dimensions of the units with, and without installation kits. Measure your window opening width and compare it to the chart below to ensure that it meets the minimum and maximum window width requirements.



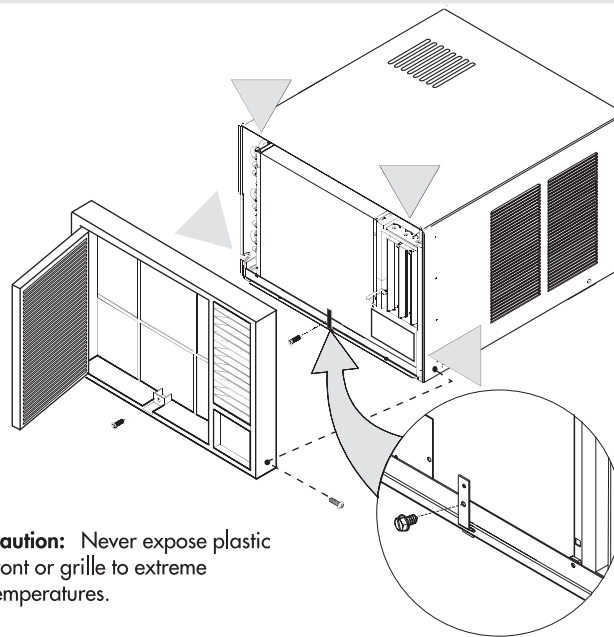
HWS12VH6, HW18VH6, HWS24VH6

Model \ Dimension	HWS12VH6	HWS18VH6 HWS24VH6
A(inch)	10 $\frac{5}{8}$ "	11 $\frac{5}{16}$ "
B(inch)	16 $\frac{11}{32}$ "	18 $\frac{3}{4}$ "
C(inch)	16 $\frac{3}{8}$ "	18 $\frac{1}{2}$ "
D(inch) Max	36 $\frac{5}{8}$ "	42"
D(inch) Min	26 $\frac{13}{16}$ "	32 $\frac{1}{2}$ "
Case High	15 $\frac{3}{4}$ "	18 $\frac{3}{32}$ "
Case Width	22 $\frac{1}{16}$ "	27 $\frac{3}{4}$ "
Case Depth	23 $\frac{5}{8}$ "	30 $\frac{7}{8}$ "

7 PREPARE UNIT FOR INSTALLATION

Unpack unit on floor next to installation location.
 Remove front attachment screw.
 Remove two side attachment screw (HWS18VH6, HWS24VH6)
 Separate the outercase from the front with a putty knife at the catch points designated by the arrows.
 Remove one screw securing basepan locking bracket. Remove two screws located in the rear of the outercase, securing basepan to outercase. Using the basepan handle, slowly and evenly pull chassis out from outercase.

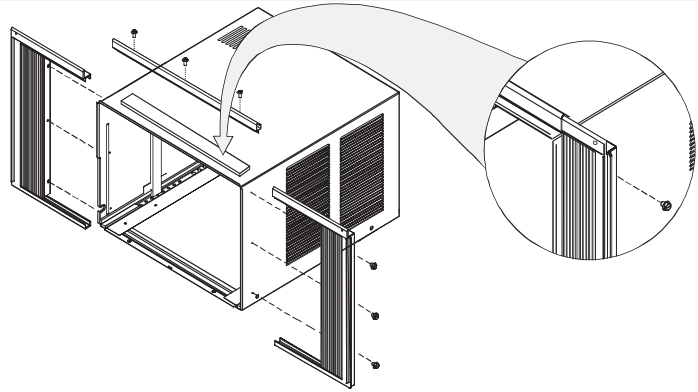
Note: Cover putty knife blade with masking tape to guard against damage of the units finish. The filter is removed in this illustration for clarity only.



Caution: Never expose plastic front or grille to extreme temperatures.

2 ASSEMBLE CURTAINS/TOP RAIL

Remove paper backing from top rail gasket and adhere to bottom of top rail. Install top rail with four 13/32" screws. (three for HWS12VH6). Slide left-hand curtain assembly into left end of top and bottom rails. Repeat for right-hand curtain assembly. Fasten curtain retainer strips to sides of outer case with eight 13/32" screws (six for HWS12VH6).



3 PREPARE WINDOW FOR INSTALLATION

Inspect window track, sash, and sill for its ability to support the weight of air conditioner.

Measure width between window moldings to ensure Instant Mount will fit window frame.

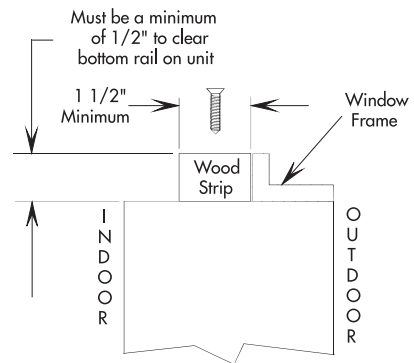
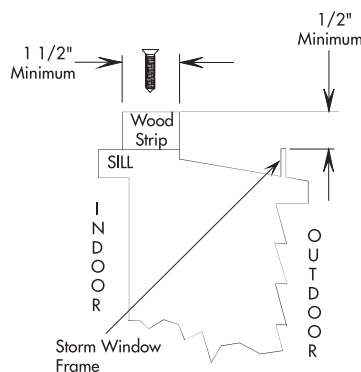
Storm window installation

If storm window frame does not allow adequate clearance below sill (1/2" required), remove storm window frame or create clearance by adding a wood strip (at least 1 1/2" wide) along entire width of sill. Fasten wood strip to sill with at least three countersunk wood screws (not supplied with kit). This provides a smooth surface for mounting air conditioner.

Mobile home window installation

Add wood strip (at least 1 1/2" wide) along entire width of window sill. Thickness of wood strip should match height of front lip on window frame. Fasten wood strip to sill with a minimum of three countersunk wood screws (not supplied with kit). This provides a smooth surface for mounting air conditioner.

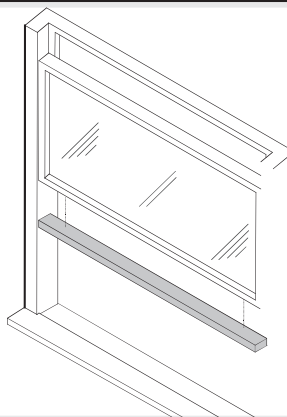
Instant Mount kit supplied with unit is designed for mounting in most double-hung windows **without storm windows**. For installation in window frame with storm window, modify sill by adding wood strips to inner and outer sills. This raises unit and eliminates interference of storm window frame.



4 APPLY WINDOW SASH GASKET

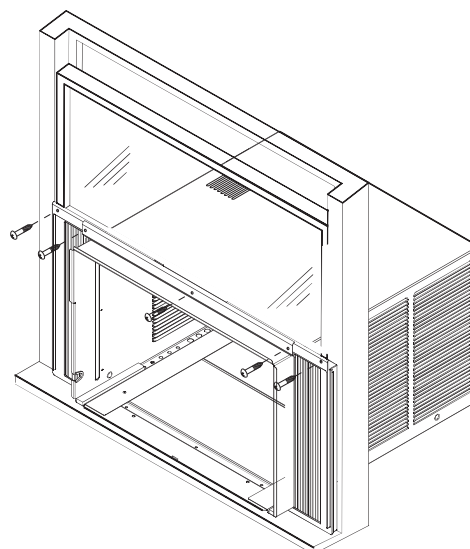
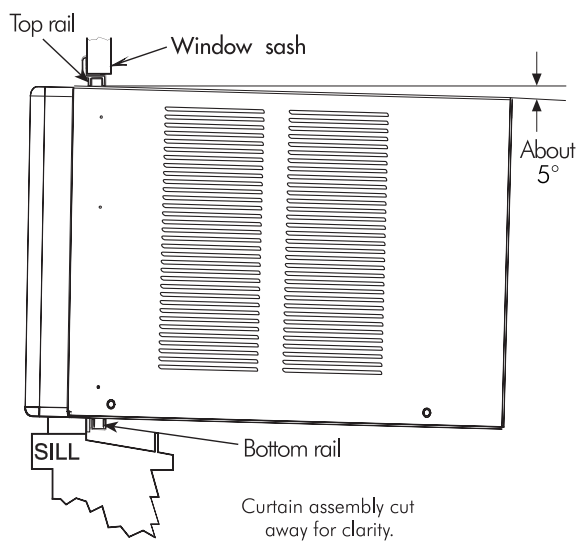
Model: HWS18VH6, HWS24VH6

Raise indoor sash. Measure width of window sash, including portion inside window track. Cut window sash gasket to length and apply to bottom of window sash.



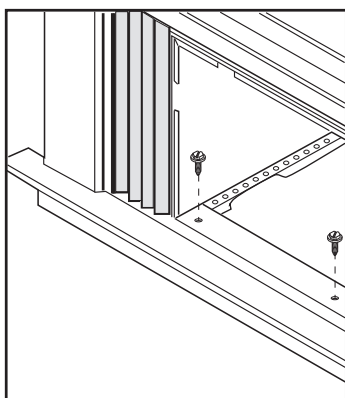
5 INSTALL OUTER CASE IN WINDOW Model: HWS12VH6

Place outer case in window. Lower sash until it rests behind front flange of top rail. Bottom rail must rest behind window sill.



Expand both curtains to contact the window frame. Install two 31/32" screws. One in each upper right and left corner of the curtains. Install three 31/32" top mounting rail screws.

NOTE: To make screws easier to drive, drill a pilot hole into sash through clearance hole in curtains.

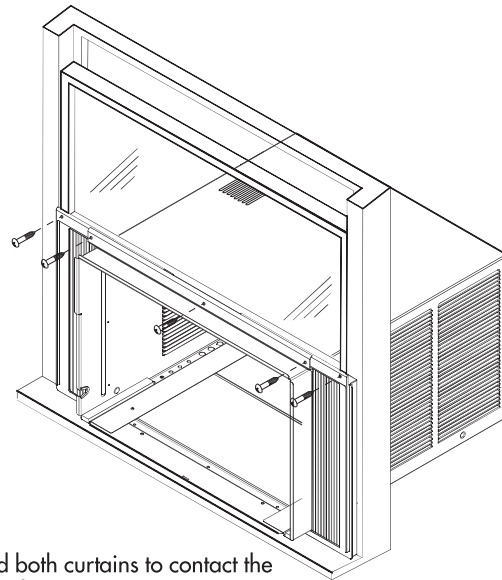
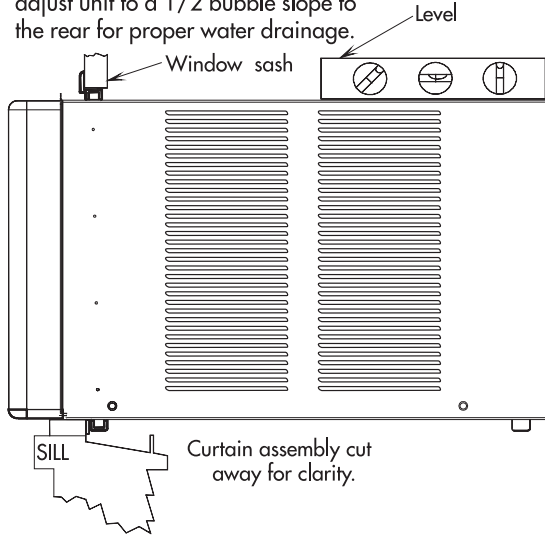


Use two casement to window security screws(1") to fix the case to windows sash.

6 INSTALL OUTER CASE IN WINDOW

Model: HMS18VH6, HMS24VH6

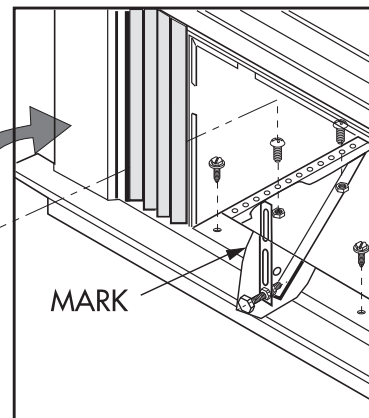
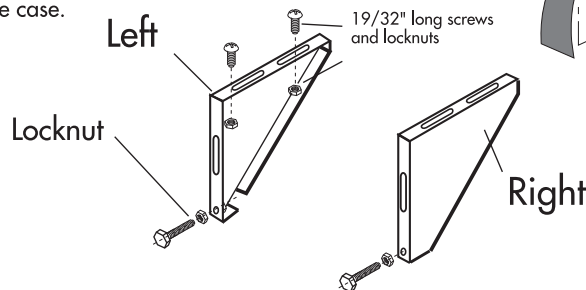
Place outer case in window. Lower sash until it rests behind front flange of top rail. Bottom rail must rest behind window sill. With a level adjust unit to a 1/2 bubble slope to the rear for proper water drainage.



Expand both curtains to contact the window frame. Install two 31/32" screws. One in each upper right and left corner of the curtains. Install three 31/32" top mounting rail screws.

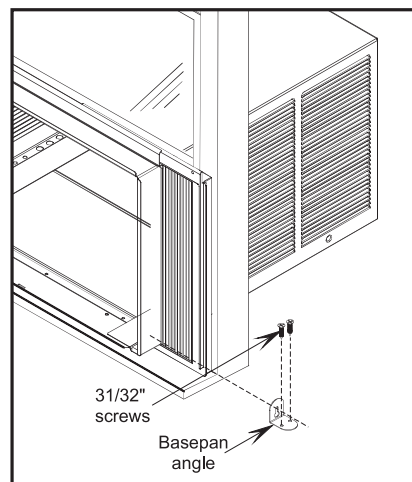
NOTE: To make screws easier to drive, drill a pilot hole into sash through clearance hole in curtains.

Use two casement to window security screws (1") to fix the case to window sash. Install left & right installation bracket and as shown in fig. Install bolt (2 1/2" long flat head bolt and locknut) to the installation bracket and adjust them to proper length, then use 4 (19/32") screws to fix the bracket on the case.



7 INSTALL BASEPAN ANGLE

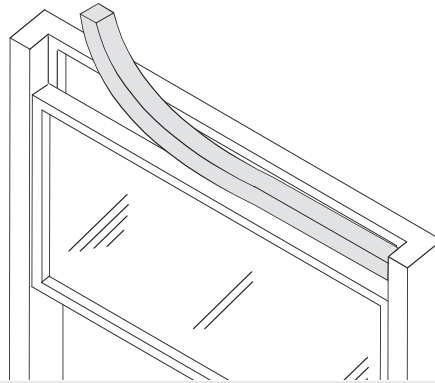
Install Two 31/32" screws through angle into window ledge. Repeat for opposite side.



8 INSTALL SEAL GASKET

Cut window seal gasket to width of window. Stuff window seal strip between outdoor window glass and top of indoor sash. This will stop air leakage which reduces efficiency.

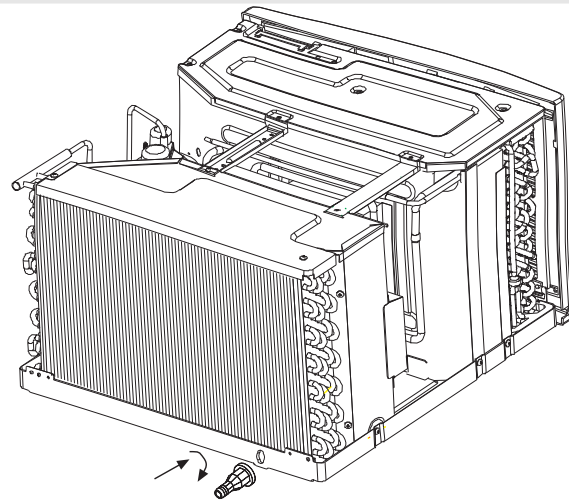
IMPORTANT: Stay clear of glass. Be careful not to damage the function of the window.



9 INSTALL DRAIN ELBOW

Model: HWS12VH6

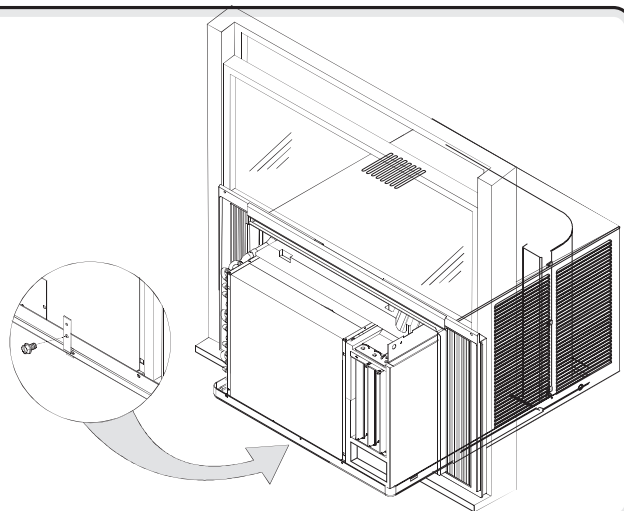
Adjust the direction of the drain tube(drain elbow) to make it be in line with the hole in the rear of unit; Insert the drain tube(drain elbow) into the hole and twist 90°.



10 RETURN CHASSIS TO OUTER CASE

Find someone to help you replace chassis in outer case. Install basepan clip. Replace front panel, and grille(install two screws for HWS18VH6, HWS24VH6). Where possible install two screws in rear of outer case, removed in step one.

IMPORTANT: Because window sash helps keep unit in window, make certain window sash contacts outer case before reinstalling chassis.



Wall Installations: slide-out chassis only

Note: Remove the 1 or 2 shipping screws on the rear of the air conditioner that hold the chassis to the outer shell casing. Once removed, these do not have to be re-installed. To ensure that your air conditioner is properly installed in the wall, it is recommended that it be installed by a certified technician who is familiar with through the wall installations.

1) Using wood, 1" or more in thickness, build a wooden frame to fit the casing/cabinet dimensions of the unit which you have purchased.

2) Measure the outside width and the height of the frame to determine the cutout dimensions necessary for the opening in the wall. The depth of the frame will depend on the depth of the wall. The finished frame must be set in the inside wall. The frame has to be squared and leveled. Remember the frame has to be nailed securely to the wall studs. (See fig. # 11)

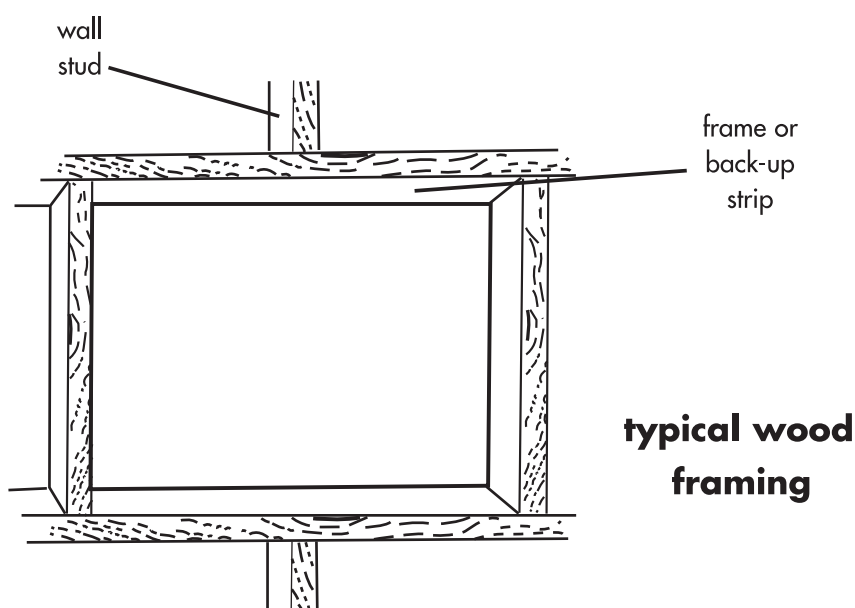


fig. # 11

**typical wood
framing**

3) Now to install, insert the casing into the wall opening. (Remove the chassis out first following steps 1 – 6 in Slide-out chassis section). Make sure that the cabinet is at least 1/2" inch inside the room. Also the side louvers should not be blocked. This is to have proper air circulation in and around the compressor. (See fig. # 12)

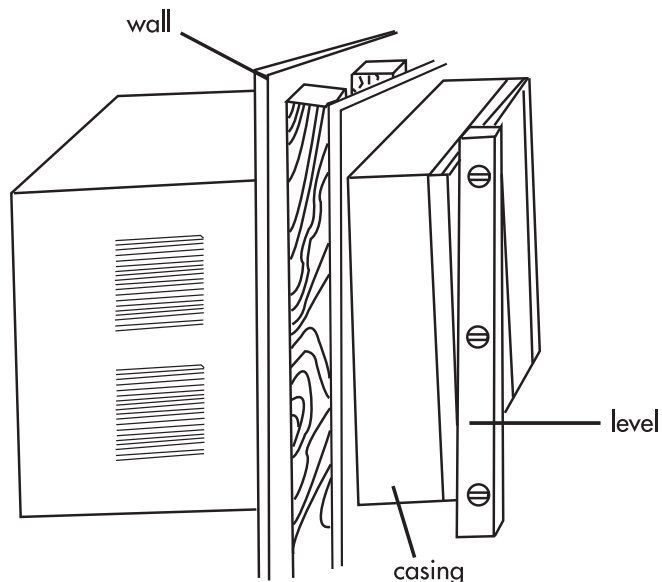


fig. # 12

typical casing outward tip

- 4) The casing should be tilted 1/4" outside so as to drain the excess dehumidified water.
- 5) Properly insulate any opening between the casing and the frame.
- 6) Use the screw holes on the sides of the unit which are for the window mounting kit and the screw holes in the top mounting kit rail to attach the casing to the wood frame, using the 5/8" screws.
- 7) With the help of another person lift and put the chassis of the air conditioner in to the casing.
- 8) Screw the security screw into place and snap on the grille.
- 9) If the filter was removed during this process, reinsert the filter.
- 10) Screw the two side screws that hold the grille to the casing. (not in all models)
- 11) Use external wall brackets if needed.



CAUTION: If, after completing these steps, the unit appears to be loose or if you are unsure the unit is properly installed, contact a qualified installer.

Care and Cleaning Guide

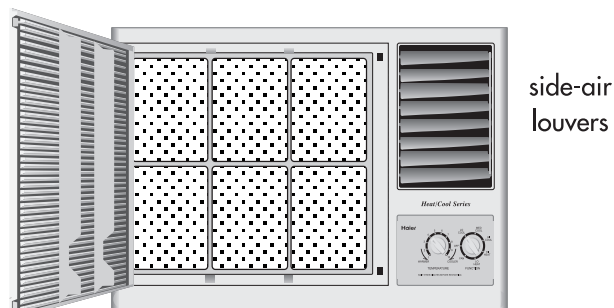


fig. # 13

- Always unplug your air conditioner before cleaning.
- Air filter needs to be cleaned at least once a month for your unit to operate at optimum efficiency. The filter may be accessed by pressing down on the top and bottom tabs located on the right side of the front panel. **(See fig.# 13)**
The filter may be washed or vacuumed. Remove the excess water from the filter by gently shaking the filter. This will remove dust and particles trapped in the filter. After cleaning, reinstall the filter.
DO NOT use your air conditioner without the air filter in place.
- To clean the front panels or the cabinet **DO NOT** use harsh chemicals, abrasives, ammonia, chlorine, bleach, concentrated detergents, solvents or metal scouring pads. Some of these chemicals may dissolve, damage and/or discolor your air conditioner.
- Always use a soft cloth dampened with water or mild soap and water solution to wipe the front of the cabinet. Wipe dry with a soft cloth.

- To store your air conditioner, after the season, remove the unit from the window as per the installation guide. Repack the unit in its original box and store away. If your unit is installed in a wall or you do not intend to remove it from the window then cover the outside with a winter cover. This can be purchased from the retailer where you purchased your air conditioner or from your local hardware store.
- Before putting away your unit make sure any water left in the pan is removed and drained away. Water left in the pan could lead to Rusting or damage to the electrical connections.

Trouble-Shooting

If air conditioner does not operate:

- Check if unit is plugged in. The plug may have come loose.
- Check if the electrical wall receptacle is of proper voltage.
- Check if the circuit breaker needs to be reset or if the fuse needs to be replaced.
- Check if the unit is in "Off" mode.
- The fan control may be in "Off" position.

Air from air conditioner is warm when in cooling mode:

- The A/C setting may need to be raised.
- The temperature outside the room is below 65°F. The compressor will not cycle on if the temperature outside is below 65°F.
- Function switch needs to be on a cool setting.

Ice formation on cooling coils:

- Outside temperature too cold. Set the unit on fan only setting to defrost ice.
- Lower temperature setting. Temperature setting may be too cold.
- Unit BTU may be too high for the room.

Air from air conditioner is cold when in heating mode:

- Temperature set needs to be on a warmer setting.
- Function switch needs to be on a heat setting.

Air conditioner working but room not cooling:

- Room may have appliances that produce heat. Use an exhaust fan to remove excess heat.
- Vent may be in the open position. Vent has to be closed for optimum cooling.
- Redirect the airflow. Remove any obstacles.
- All doors and windows need to be closed so cool air does not escape the room.
- Air filter may need cleaning.
- Unit BTU may be too low for the required cooling area.
- On extreme hot & humid days air conditioners may take a little longer to cool.

Air conditioner is making noise when cooling:

You may hear sounds of air movement, water, compressor clicking on and off or window vibrations. Please read Operating Guide – Normal Operating Sounds.

Water in the air conditioner cabinet:

This is normal as your air conditioner not only cools but also dehumidifies the air. If there is water dripping inside the room, check the installation of the unit. The unit may need to be reinstalled. Tilt the unit 1/4" outside to drain the excess water produced.

Air conditioner working but room not heating:

- Vent may be in the open position. Vent has to be closed for optimum heating.
- All doors and windows need to be closed so warm air does not escape the room.
- Air filter may need cleaning.
- Unit BTU may be too low for the required heating area.
- On cold days, the air conditioner may take a little longer to heat.
- Heat/Cool air conditioners are meant to be used as supplemental heat sources. The unit may not provide adequate heat in cold climates.

Limited Warranty

What is covered and for how long?

This warranty covers all defects in workmanship or materials for a period of:

- 12 months for labor
- 12 months for parts (Functional Parts Only)
- 5 years for sealed system

The warranty commences on the date of item purchase. Customer shall provide Haier with proof of the date of purchase, brand, model and serial number for verification prior to any warranty service being provided.

EXCEPTIONS: Commercial or Rental Use warranty

- 90 days for labor
- 90 days for parts
- No other warranty applies

What is covered/Not covered?

1. The mechanical and electrical parts of the appliance which serve the functional purpose of this appliance are covered for a period of 12 months. This includes all parts except finish and trim.
2. Manufacturing defects to the components of the sealed system (e.g. hermetic compressor, condenser and evaporator) are covered for a period of 5 years from the date of purchase. Any damages to such components caused by mechanical abuse, improper handling or shipping will not be covered.
3. The limited warranty does not cover any credit or refund for any loss or injury caused by the product or defects to the product including but not limited to incidental or consequential damages.

What will be done?

1. Any mechanical or electrical part that proves to be defective in normal usage during the specified warranty period will be repaired or replaced at Haier's discretion. A&E factory service is the authorized service provider for Haier. If it is determined that repair is not appropriate or replacement part is unavailable for repair, Haier will exchange the product with a refurbished or new product the same or similar to the original at its discretion.
2. There will be no charge to the purchaser for functional replacement parts and labor on any covered items during the initial 12- month period. Beyond this period, only the components of the sealed system are covered, labor is not provided and must be paid for by the customer.
3. To have your product serviced, please contact Haier customer service 1-877-337-3639.

THIS WARRANTY COVERS APPLIANCES WITHIN THE CONTINENTAL UNITED STATES, PUERTO RICO AND CANADA. IT DOES NOT COVER

THE FOLLOWING:

Damages from improper installation.
 Damages incurred during shipping.
 Defects other than manufacturing.
 Damage from misuse, abuse, accident, alteration, lack of proper care and maintenance or incorrect current or voltage.

Damage from other than household use.
 Damage from service by other than an authorized dealer or service center.
 Decorative trims or replaceable light bulbs.

Transportation and shipping.
 Labor (after the initial 12 months).
 Credit or Refund for products over 30 days past date of purchase
 Food loss for food spoiled as a direct result of mechanical failure of the product or of any delay in providing service, repair, replacement. This limited warranty doesn't apply to refurbished product or unit purchased as/like new or second-hand.

THIS LIMITED WARRANTY IS GIVEN IN LIEU OF ALL OTHER WARRANTIES, EXPRESSED OR INCLUDING THE WARRANTIES OF MERCHANTABILITY AND FITNESS FOR A PARTICULAR PURPOSE

The remedy provided in this warranty is exclusive and is granted in lieu of all other remedies.

This warranty does not cover incidental or consequential damages, so the above limitations may not apply to you. Some states do not allow limitations on how long an implied warranty lasts, so the above limitations may not apply to you.

This warranty gives you specific legal rights, and you may have other rights, which vary from state to state.

Haier America Trading L.L.C.
 New York, NY 10018.
 1-877-337-3639