

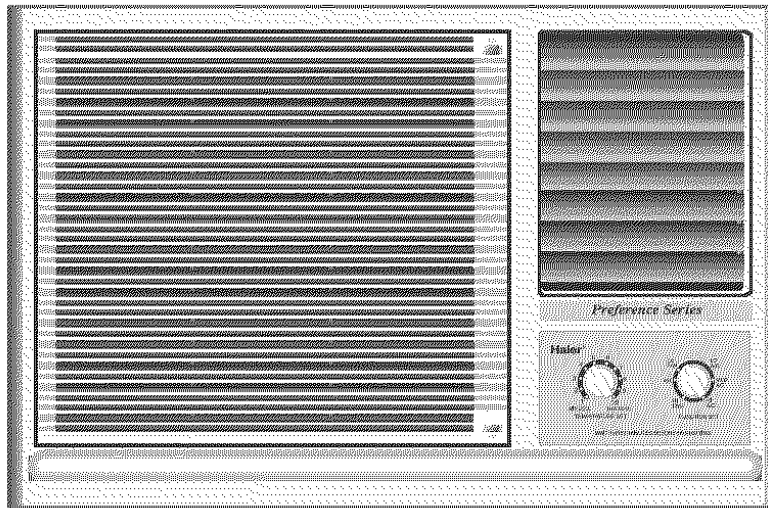
# Haier®

What The World Comes Home To™

**Room Air Conditioner  
Manual Control**

**Climatisation de Pièce  
à Commande Manuelle**

**Acondicionador De Aire  
De Control Manual Para Habitación**



**User Manual  
Manuel d'utilisation  
Manual del Usuario**

*Read instructions before installing.  
Call 1-877-337-3639 for questions on parts and services*

*Lire les instructions avant de procéder à l'installation.  
Pour toutes questions concernant les pièces et l'entretien, composez le 1-877-337-3639.*

*Lea las Instrucciones antes de instalar el aparato  
Llámenos al 1-877- 337-3639 si tiene preguntas sobre repuestos o ser*

0010543027

Llámenos al 1-877- 337-3639 si tiene preguntas sobre repuestos o ser

## A Word From Haier

Thank You for buying a dependable, energy saving and easy to operate HAIER room air conditioner. This manual contains useful information for you to maintain, operate, install and safely use your room air conditioner. Your air conditioner cleans, cools and dehumidifies the air in your room to provide you with the ultimate level of comfort.

Please read instructions carefully before using the product. Also, do not forget to fill out and mail the **Product Registration Card**.

## Product Registration

### Record Your Model and Serial Number.

For all your service calls during the warranty period the following information will be needed. Attach the sales receipt to this guide and keep for future reference. This information can be obtained from the serial plate, which is on your air conditioner. This is either on the cabinet (side or back) or you may have to remove the front grille to locate it.

Model Number: .....

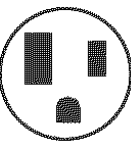




Serial Number: .....

Date of Purchase: .....

Dealer's Name: .....

Dealers Address: .....





Dealers Phone Number: .....

TABLE					
RECEPTACLE AND FUSE TYPES					
RATED VOLTS	125/60		250/60		
AMPS	15	20	15	20	30
WALL OUTLET					
FUSE SIZE	15	20*	15	20*	30
TIME DELAY FUSE (or circuit breaker)	Plug	Plug	Plug		

# SAFETY PRECAUTIONS

**WARNING:** *Following these basic precautions will reduce the risk of fire, electrical shock, injury or death when using your air conditioner.*

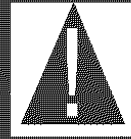


- 1) Air conditioner must be connected to proper electrical outlet with the correct electrical supply. (see table)
-  2) Proper grounding must be ensured to reduce the risk of shock and fire. **DO NOT CUT OR REMOVE THE GROUNDING PRONG.** If you do not have a three-prong electric receptacle outlet in the wall, have a certified electrician install the proper receptacle. The wall receptacle **MUST** be properly grounded.
-  3) Do not use if power cord is frayed or otherwise damaged. Also avoid using it if there are cracks or abrasion damage along the length, plug or connector.
-  4) **DO NOT USE AN ADAPTER OR AN EXTENSION CORD.**
-  5) When installing your air conditioner in a window, make sure the window is strong enough to hold the weight of the air conditioner. You also want to secure and correctly install your air conditioner properly to prevent it from falling. Extra brackets and or support may be required depending on your window.
- 6) Do not block airflow inside or outside the air conditioner with blinds, drapes, protective covers, shrubs or bushes.
- 7) Be careful of sharp edges on the front and rear fins of the unit that could cut and cause serious injury.
- 8) Be careful when lifting the air conditioner to install or remove the unit. Always use two or more people for this.
- 9) Always unplug the air conditioner before servicing it or moving it.

# Table Of Contents

	<b>PAGE</b>
<b>A Word From Haier</b> .....	<b>1</b>
<b>Product Registration</b> .....	<b>1</b>
<b>Safety Precautions</b> .....	<b>2</b>
<b>Warnings</b> .....	<b>4</b>
<b>Electrical Safety</b> .....	<b>4</b>
<b>Tips</b> .....	<b>5</b>
<b>Energy Saving Guide</b> .....	<b>5</b>
<b>Features</b> .....	<b>6</b>
<b>Operating Guide</b> .....	<b>7-8</b>
Normal Operating Sounds .....	<b>7</b>
Operating Instructions .....	<b>7-8</b>
<b>Installations</b> .....	<b>9-18</b>
Parts Supplied .....	<b>10</b>
Tools .....	<b>11</b>
Steps for Installation .....	<b>19</b>
<b>Clean and Care Guide</b> .....	<b>20</b>
<b>Troubleshooting</b> .....	<b>21-22</b>
<b>Warranty Information</b> .....	<b>23</b>

# WARNINGS



Following the safety messages is very important.

These messages can save you from being injured or killed.

**Warning** symbols alert you to be careful and means **Danger**. Always follow instructions to be safe and reduce chances of injury or death.

**Warning** and **Danger** signs will precede safety messages.

## Electrical Safety



**Grounding:** This room air conditioner must be grounded. Grounding reduces the risk of electric shock by providing an escape wire for the electric current. The power cord has a grounding wire with a grounding plug. Plug it into an outlet that is properly installed and grounded.

**WARNING:** Improper use of the grounding plug can result in a risk of electric shock. Call a qualified electrician if you don't understand the grounding instructions or if you are not sure if the air conditioner is properly grounded. If the wall outlet is not grounded, please contact an electrician to have it replaced with a properly grounded outlet.

**Do not, under any circumstances, cut or remove the third (ground) prong from the power cord.**

**Adapter Plug:** We strongly advise against using an adapter plug.

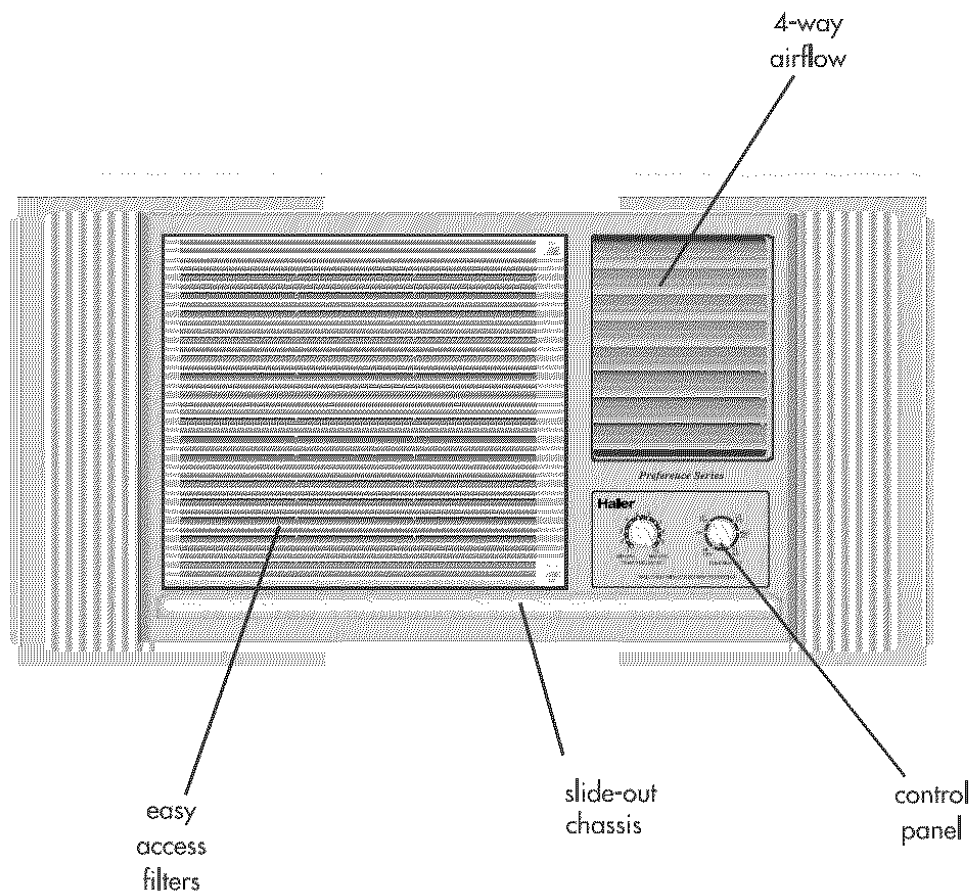
## Tips

- Air Conditioners are designed for use in a double hung window or through the wall installation only. (As applicable in your model)
- While installing unit be sure to tilt air conditioner  $1/4$  degree outward to have the water drip outside the house.
- Install the unit on the north side as normally that is the shaded side. This will enhance the operation of your unit.
- ⚠ • Window has to be strong for installation. Extra brackets and or support may be required depending on your window. (Brackets and Supports not included in all models)
- Measure the window before installing, if the window is too big for the unit you may require professional installation.
- ⚠ • Use correct electric voltage and proper ampere for the unit to run effectively.
- ⚠ • Only let a certified electrician do any modifications to your electrical outlet.
- Use a dedicated line for the operation of your air conditioner to avoid the possibility of an electrical surge.

## Energy Saving Guide

- When installing your air conditioner make sure to seal all areas where there is a possibility of air leakage.
- Airflow should not be blocked inside either by curtains, drapes or furniture or outside by shrubs or bushes.
- Do not needlessly use an electrical light or other appliances that produce heat.
- Keep the vent closed on the air conditioner when in the cooling function.
- Keep the blinds and the drapes drawn on all the other windows.
- While cooking use an exhaust fan in the kitchen to remove the excess heat produced.
- Always use the correct BTU size air conditioner to cool the room to attain optimum efficiency.

# Features



(All features not on all models)

## 1. Temperature Set Knob

This knob adjusts the temperature of the air. Higher the setting the cooler the air temperature. With this knob you can set the temperature to your desired comfort level. Min. Cool being the warmest and Max. Cool being the coldest.

## 2. Function Set Knob

With this knob you can control the fan speed as well as the cooling speed. There are 3 knob positions on the A/C for you to select from. LO will circulate air at the lowest velocity MED at the middle level and HI will circulate at the maximum. You have 2 Fan Only speeds to choose from HI and LO.

## 3. Vent (not in all models)

This feature helps you to exhaust any stale unwanted air in the room and draw fresh outside air in the room. To circulate the air, bring the lever to the open position. (The lever should be in the closed mode to avoid loss of cool air to the outside.)

## 4. 4 Way Air Flow

These air directional louvers let you control the direction of the airflow in your required direction. The airflow can be directed up – down – right side – left side.

## 5. Slide Out Chassis (not in all models)

your air conditioner becomes more versatile with this feature. You have the option to install the unit in a window or a wall.

## 6. Window Install Kit.

Enables you to install the air conditioner in a double hung window. Extra brackets or support may be needed depending on your window.

# Operating Guide

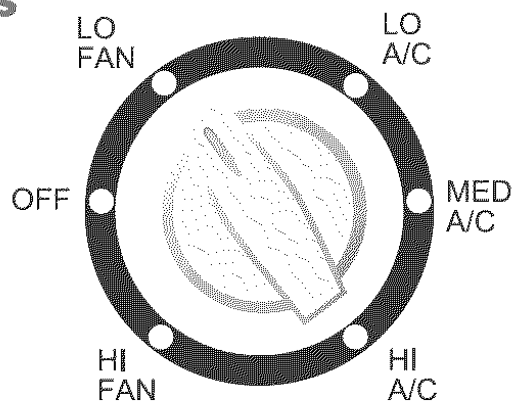
## Normal Operating Sounds

Following sounds are normally heard during the operation of an air conditioner.

- Thermostat clicks. As the thermostat cycles on/off you will hear this sound.
- Cool airflow movement as dictated by the set fan speed.
- Water sounds. This is normal since your air conditioner acts as a dehumidifier also. Thus you will hear water sounds from water drops falling on the condenser.
- As the refrigerant flows through the inner sealed tubing a rushing noise may be heard.
- Rattling or vibrating noises may be heard due to poor wall or window installation.
- High pitch compressor sound may be heard.

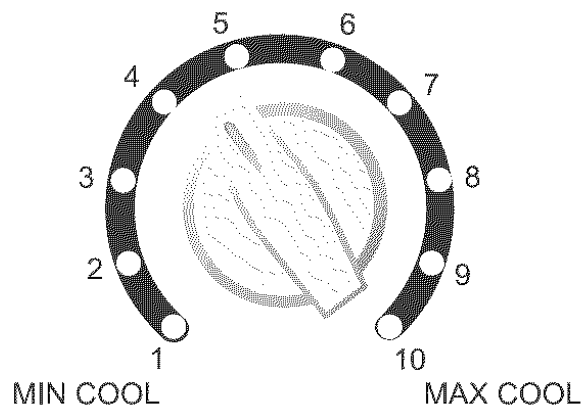
## Operating Instructions

(See fig. # 1)



FUNCTION SET

fig. # 1



TEMPERATURE SET









After installing your air conditioner, plug it into the proper electrical outlet in the wall.

- 1) Select Med. A/C on the Function Set knob.
- 2) Set the Temperature Set knob at the mid level setting. This will turn on your air conditioner.
- 3) You can set the thermostat from Min Cool to Max Cool. Min Cool being the warmest Max Cool being the coldest.
- 4) Your air conditioner has 1 or 2 Fan speeds depending on your model purchased and 3 A/C settings.
- 5) If your air conditioner has a Vent control make sure that it is on close. Leave it open only if you need to recycle the stale room air. By leaving it closed you will retain the cool air in the room.
- 6) Let your air conditioner run for a few minutes before adjusting to the desired settings.
- 7) **Remember** the compressor of your air conditioner **will not** work when the temperature goes below 65°F.
- 8) Also when you shut off the air conditioner wait for 3 minutes before turning it on again. This is the compressor cycle time.
- 9) If you have any trouble in operating your air conditioner please refer to the Trouble Shooting section.

# Installations

Before you install your air conditioner check the following:

- 1) The unit is free of all obstructions inside and outside the room e.g. drapes, curtains, furniture, plants, shrubs, bushes, trees, other structures like building, garage etc. Air conditioner must have clear unobstructed airflow through the condenser to remove the heat.
- 2) The window is strong enough to hold the weight of the air conditioner. Extra brackets or supports may be needed depending on your windows. (Brackets or Supports not provided in all models)
- 3) The window sill and track are strong enough to hold the weight of the air conditioner.
- 4) The wall is strong enough to hold the unit. Extra brackets or supports may be needed depending on the wall. (Brackets or Supports not provided in all models).
- 5) There is adequate and proper power supply near the air conditioner.
-  6) DO NOT use adapter plugs.
-  7) DO NOT use extension cords.
-  8) DO NOT cut or remove the ground prong.
-  9) DO NOT modify the plug or the electrical wall outlet in any way. If plug does not fit the electrical outlet have a certified electrician do the necessary change.
-  10) DO NOT connect electrical power to the unit before installation.
-  11) DO NOT use if power cord is worn out, frayed or otherwise damaged. Avoid using if there are cracks or abrasion damage along the length, plug or connection.
- 12) DO NOT install into any existing cabinet or sleeve which does not have side and top air vents.

## Parts

<p>Parts Supplied</p>		<p>Model: HWA05XCA, HWF05XCA, HWF07XCA HWS05XCA, HWS06XCA, HWF05XCB</p>
<p>Parts Supplied</p>		<p>Model: HWS08XCA</p>
<p>Parts Supplied</p>		<p>Model: HWS10XCA, HWS12XCA</p>
<p>Parts Supplied</p>		<p>Model: HWS14XCA, HWS18VCA, HWS20VCA</p>

## Tools

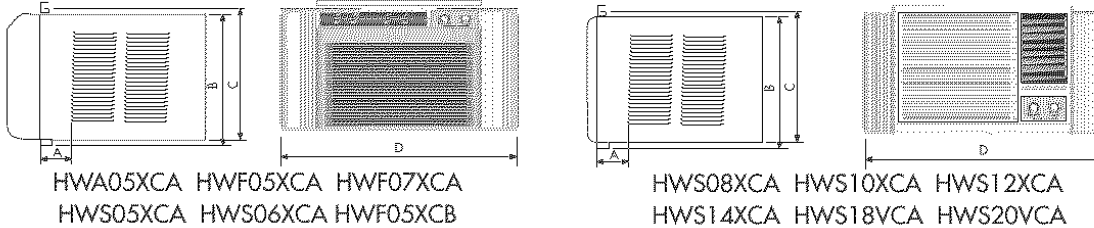
You will need to have the following tools to help you in the installation of your air conditioner.

- Scissors
- Phillips Screwdriver
- Standard Screwdriver
- Pliers
- Wrench
- Drill and Drill Bits
- Tape Measure
- Gloves
- Level
- Sockets

# Installing Unit into A Window

## Window Opening Requirements

The air conditioner is designed to fit into double or single hung sash type windows. Each of the units comes with an installation kit that provides adjustable mounting louvers, to fill the gaps between the sides of the unit, and the window frame. The chart below reflects the dimensions of the units with, and without installation kits. Measure your window opening width and compare it to the chart below to ensure that it meets the minimum and maximum window width requirements.



Model	HWA05XCA HWF05XCA HWF07XCA HWF05XCB	HWS05XCA HWS06XCA	HWS08XCA	HWS10XCA HWS12XCA	HWS14XCA	HWS18VCA HWS20VCA
A(inch)	2 $\frac{9}{16}$ "	2 $\frac{9}{16}$ "	7 $\frac{15}{32}$ "	10 $\frac{5}{8}$ "	10 $\frac{19}{32}$ "	11 $\frac{5}{16}$ "
B(inch)	14 $\frac{3}{8}$ "	14 $\frac{9}{16}$ "	13 $\frac{31}{32}$ "	16 $\frac{11}{32}$ "	17 $\frac{19}{32}$ "	18 $\frac{3}{4}$ "
C(inch)	14 $\frac{9}{32}$ "	14 $\frac{1}{2}$ "	13 $\frac{31}{32}$ "	16 $\frac{11}{32}$ "	17 $\frac{19}{32}$ "	18 $\frac{3}{4}$ "
D(inch) Max	34 $\frac{1}{4}$ "	34 $\frac{21}{32}$ "	35 $\frac{1}{32}$ "	36 $\frac{5}{8}$ "	40 $\frac{11}{16}$ "	44 $\frac{3}{32}$ "
D(inch) Min	23 $\frac{5}{8}$ "	24 $\frac{1}{32}$ "	25 $\frac{9}{32}$ "	26 $\frac{27}{32}$ "	30 $\frac{11}{16}$ "	32 $\frac{9}{32}$ "
Case High	13 $\frac{19}{32}$ "	13 $\frac{25}{32}$ "	13 $\frac{3}{8}$ "	15 $\frac{3}{4}$ "	16 $\frac{19}{32}$ "	17 $\frac{29}{32}$ "
Case Width	19 $\frac{11}{16}$ "	20 $\frac{3}{32}$ "	20 $\frac{15}{32}$ "	22 $\frac{1}{16}$ "	26 $\frac{3}{16}$ "	27 $\frac{3}{4}$ "
Case Depth	12 $\frac{19}{32}$ "	12 $\frac{19}{32}$ "	20 $\frac{15}{32}$ "	23 $\frac{5}{8}$ "	26 $\frac{13}{16}$ "	30 $\frac{29}{32}$ "

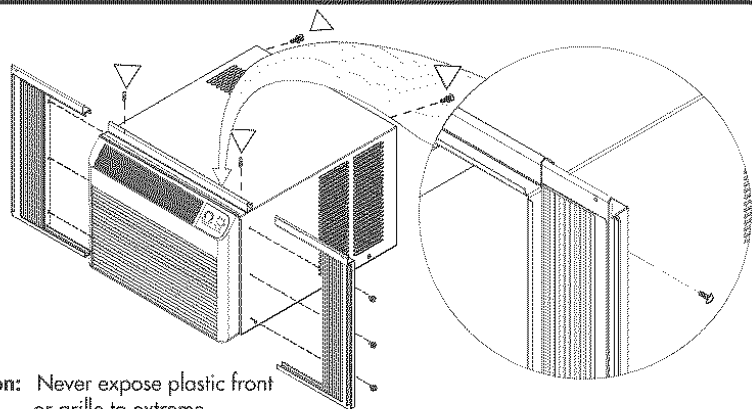
Models: HWA05XCA and HWF05XCA, HWF07XCA, HWS05XCA, HWS06XCA, HWF05XCB

### 1 ASSEMBLE CURTAINS

Unpack unit on floor next to installation location. Slide left-hand curtain assembly into left ends of top and bottom rails. Repeat for right-hand curtain assembly. Fasten curtain retainer strips to sides of outer case with six 13/32" screws.

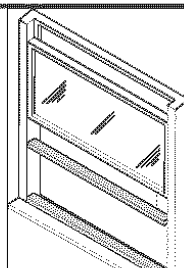
For HWS05XCA, HWS06XCA Remove two screws located in the top of the outer case, Remove two screws located in the rear of the outer case.

**Caution:** Never expose plastic front or grille to extreme temperatures.



### 2 APPLY WINDOW SASH GASKET

Raise indoor sash. Measure width of window sash. Cut window sash gasket to length and apply to bottom of window sash. Cut window sill gasket to length and apply to top of the window sill.



### 3 PREPARE WINDOW FOR INSTALLATION

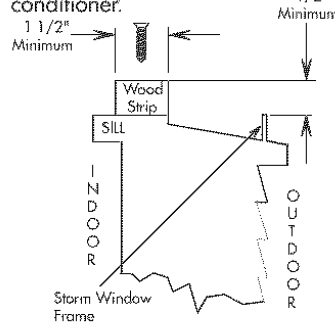
Inspect window track, sash, and sill for its ability to support the weight of air conditioner.

Measure width between window moldings to ensure Instant Mount will fit window frame. Instant Mount models are designed for windows (the detail see page 12)

Instant Mount kit supplied with unit is designed for mounting in most double-hung windows **without storm windows**. For installation in window frame with storm window, modify sill by adding wood strips to inner and outer sills. This raises unit and eliminates interference of storm window frame.

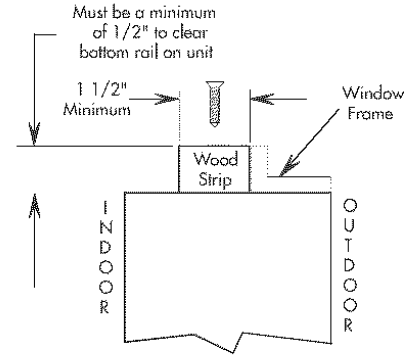
#### Storm window installation

If storm window frame does not allow adequate clearance below sill (1/2" required), remove storm window frame or create clearance by adding a wood strip (at least 1 1/2" wide) along entire width of sill. Fasten wood strip to sill with at least three countersunk wood screws (not supplied with kit). This provides a smooth surface for mounting air conditioner.



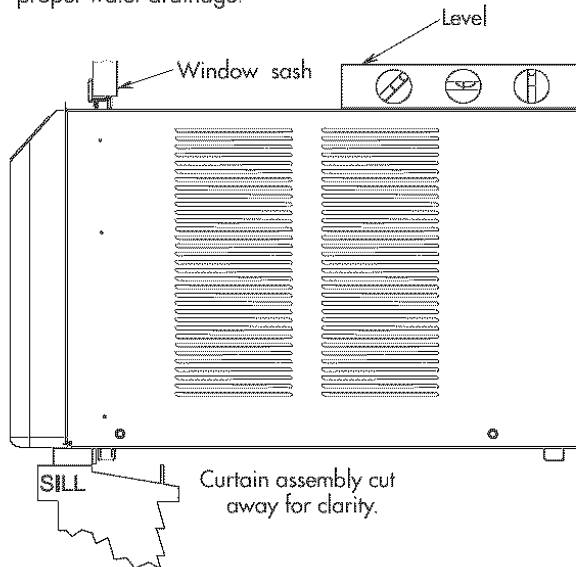
#### Mobile home window installation

Add wood strip (at least 1 1/2" wide) along entire width of window sill. Thickness of wood strip should match height of front lip on window frame. Fasten wood strip to sill with a minimum of three countersunk wood screws (not supplied with kit). This provides a smooth surface for mounting air conditioner.



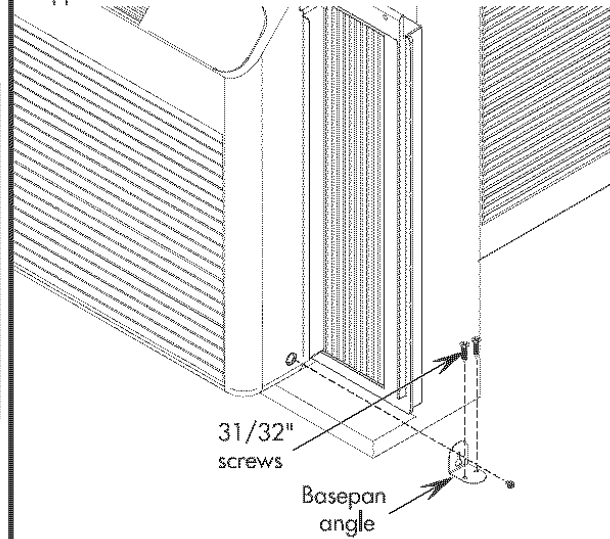
### 4 INSTALL UNIT IN WINDOW

Place unit in window. Lower sash until it rests behind front flange of top rail. Bottom rail must rest behind window sill. With a level adjust unit to a 1/2 bubble slope to the rear for proper water drainage.



### 5 INSTALL BASEPAN ANGLE

Back front attachment screw out several turns and slip Basepan Angle over screw head. Snug screw with angle resting on window ledge. Install Two 31/32" screws through angle into window ledge. Repeat for opposite side.

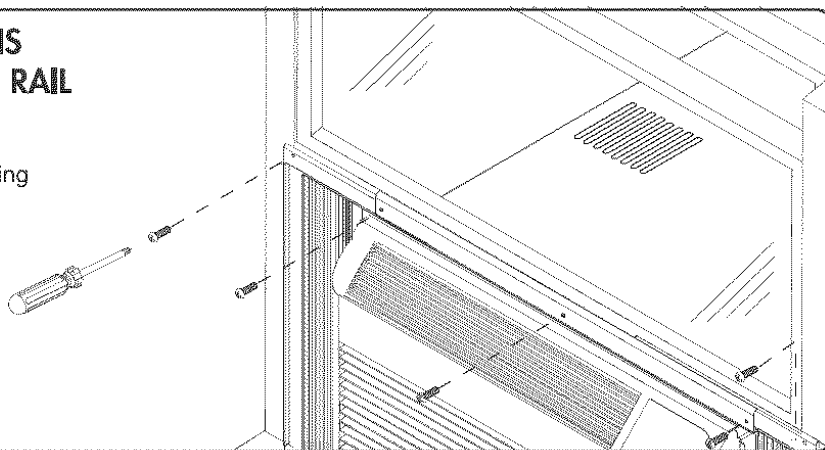


## 6 SECURE SIDE CURTAINS AND TOP MOUNTING RAIL

Expand curtains as far as possible.

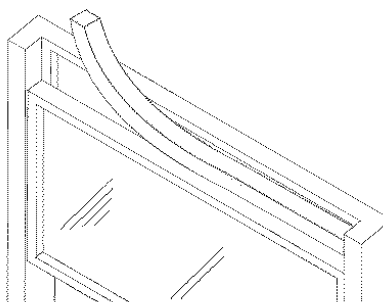
Install (2) 31/32" curtain sash screws. Install (3) 25-mm top mounting rail. For hard wood or metal window frames, drill a 3/4" deep pilot hole to start screw.

**IMPORTANT:** Be careful not to drill pilot hole too deep. Add a piece of tape to the drill bit as a depth gauge. Also stay clear of glass. Be careful not to damage the function of the window.



## 7 INSTALL SEAL GASKET

Cut window seal gasket to width of window. Stuff window seal gasket between outdoor window glass and top of indoor sash. This will stop air leakage which reduces efficiency.



Models: HWS08XCA, HWS10XCA, HWS12XCA, HWS14XCA, HWS18VCA, HWS20VCA

## 7 PREPARE UNIT FOR INSTALLATION

Unpack unit on floor next to installation location.

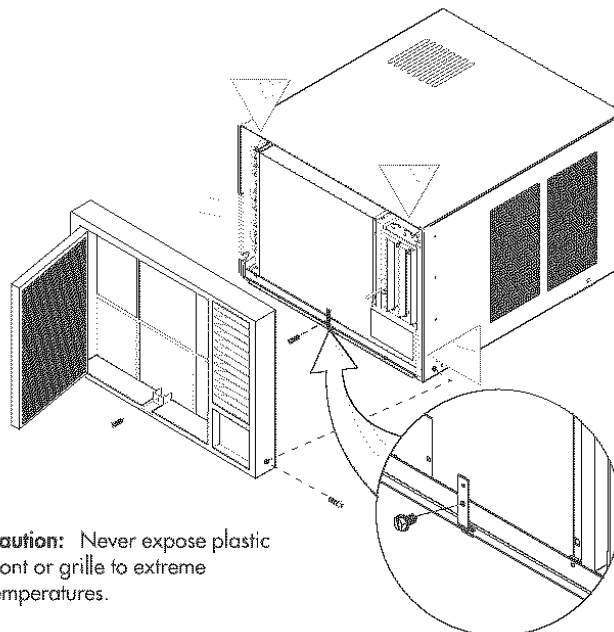
Remove front attachment screw.

Remove two side attachment screw (HWS14XCA, HWS18VCA, HWS20VCA).

Separate the outercase from the front with a putty knife at the catch points designated by the arrows.

Remove one screw securing basepan locking bracket. Remove two screws located in the rear of the outercase, securing basepan to outercase. Using the basepan handle, slowly and evenly pull chassis out from outer case.

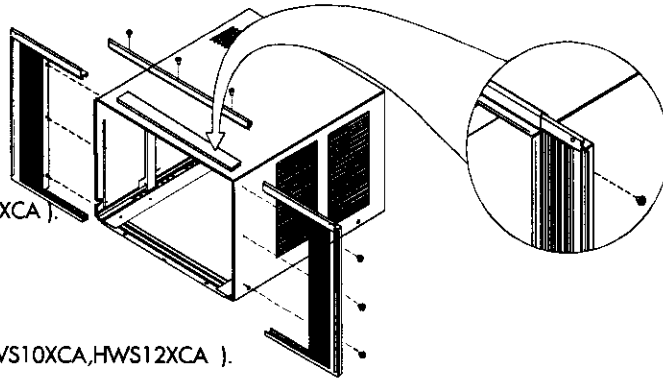
**Note:** Cover putty knife blade with masking tape to guard against damage of the units finish. The filter is removed in this illustration for clarity only.



**Caution:** Never expose plastic front or grille to extreme temperatures.

## 2 ASSEMBLE CURTAINS/TOP RAIL

Remove paper backing from top rail gasket and adhere to bottom of top rail. Install top rail with four 13/32" screws. (three for HWS08XCA, HWS10XCA, HWS12XCA ). Slide left-hand curtain assembly into left end of top and bottom rails. Repeat for right-hand curtain assembly. Fasten curtain retainer strips to sides of outer case with eight 13/32" screws (six for HWS08XCA, HWS10XCA, HWS12XCA ).



## 3 PREPARE WINDOW FOR INSTALLATION

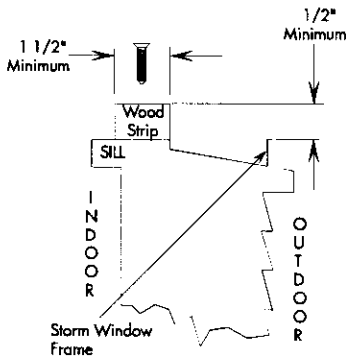
Inspect window track, sash, and sill for its ability to support the weight of air conditioner.

Measure width between window moldings to ensure Instant Mount will fit window frame. Instant Mount models are designed for windows wide (the detail see page 12)

Instant Mount kit supplied with unit is designed for mounting in most double-hung windows **without storm windows**. For installation in window frame with storm window, modify sill by adding wood strips to inner and outer sills. This raises unit and eliminates interference of storm window frame.

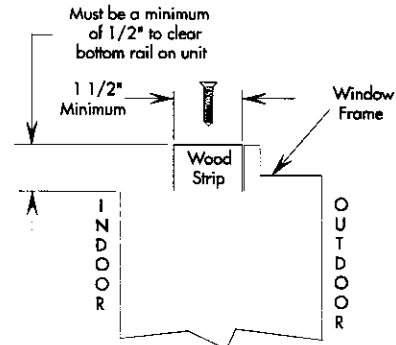
### Storm window installation

If storm window frame does not allow adequate clearance below sill (1/2" required), remove storm window frame or create clearance by adding a wood strip (at least 1 1/2" wide) along entire width of sill. Fasten wood strip to sill with at least three countersunk wood screws (not supplied with kit). This provides a smooth surface for mounting air conditioner.



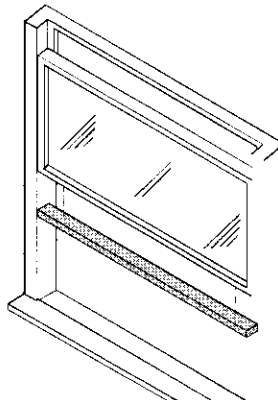
### Mobile home window installation

Add wood strip (at least 1 1/2" wide) along entire width of window sill. Thickness of wood strip should match height of front lip on window frame. Fasten wood strip to sill with a minimum of three countersunk wood screws (not supplied with kit). This provides a smooth surface for mounting air conditioner.



## 4 APPLY WINDOW SASH GASKET

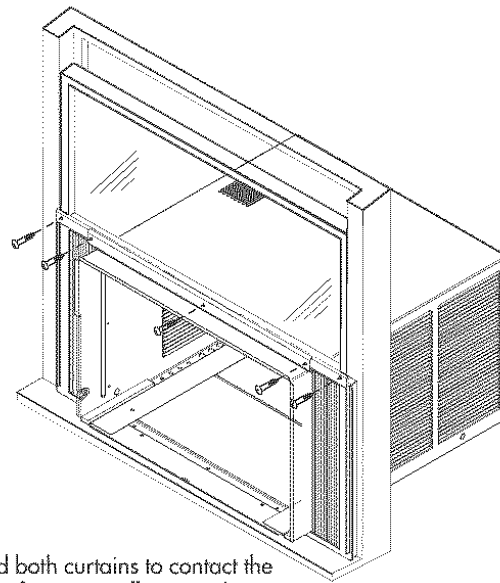
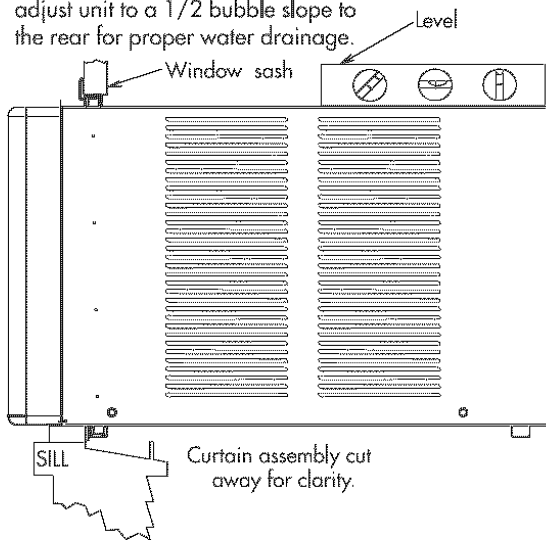
Raise indoor sash. Measure width of window sash, including portion inside window track. Cut window sash gasket to length and apply to bottom of window sash.





## 5 INSTALL OUTER CASE IN WINDOW

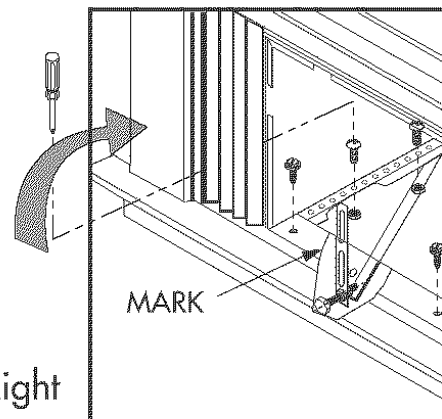
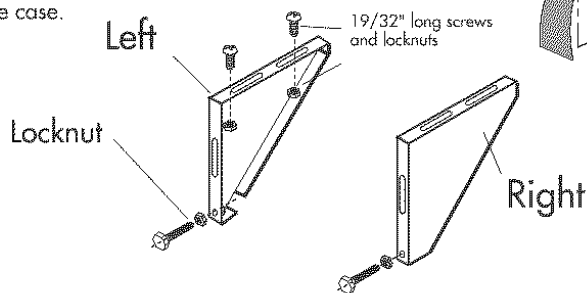
Place outer case in window. Lower sash until it rests behind front flange of top rail. Bottom rail must rest behind window sill. With a level adjust unit to a 1/2 bubble slope to the rear for proper water drainage.



Expand both curtains to contact the window frame. Install two 31/32" screws. One in each upper right and left corner of the curtains. Install three 31/32" top mounting rail screws.

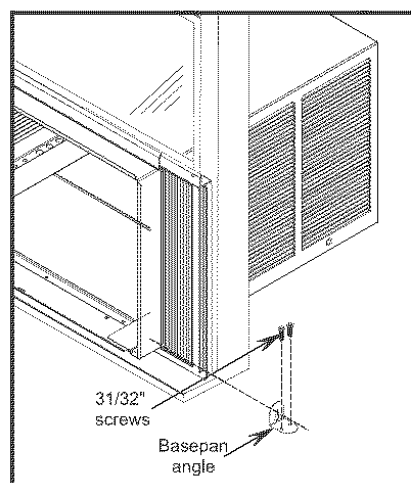
**NOTE:** To make screws easier to drive, drill a pilot hole into sash through clearance hole in curtains.

Use two casement to window security screws (1") to fix the case to window sash. Install left & right installation bracket and as shown in fig. Install bolt (2 1/2" long flat head bolt and locknut) to the installation bracket and adjust them to proper length, then use 4 (19/32") screws to fix the bracket on the case.



## 6 INSTALL BASEPAN ANGLE

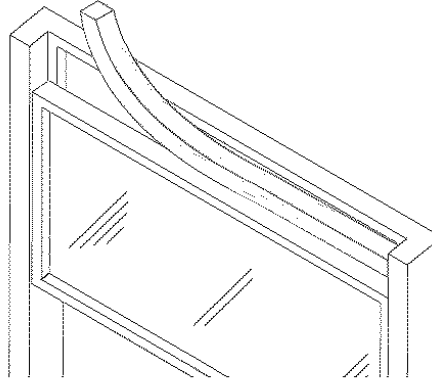
Install Two 31/32" screws through angle into window ledge. Repeat for opposite side.



## 7 INSTALL SEAL GASKET

Cut window seal gasket to width of window. Stuff window seal strip between outdoor window glass and top of indoor sash. This will stop air leakage which reduces efficiency.

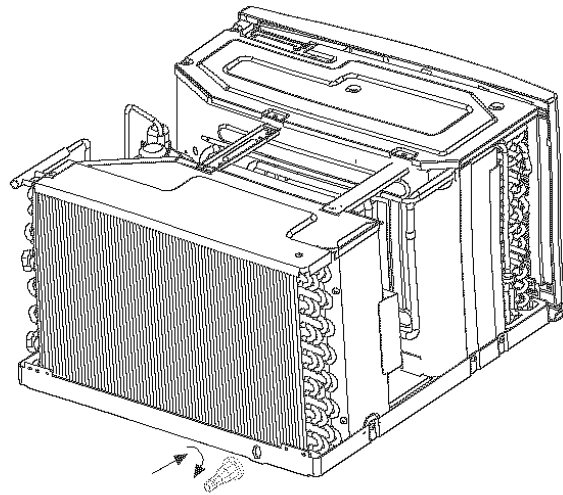
**IMPORTANT:** Stay clear of glass. Be careful not to damage the function of the window.



## 8 INSTALL DRAIN TUBE

Model: HWS08XCA, HWS10XCA,  
HWS12XCA

Adjust the direction of the drain tube (drain elbow) to make it be in line with the hole in the rear of unit; Insert the drain tube (drain elbow) into the hole and twist 90°

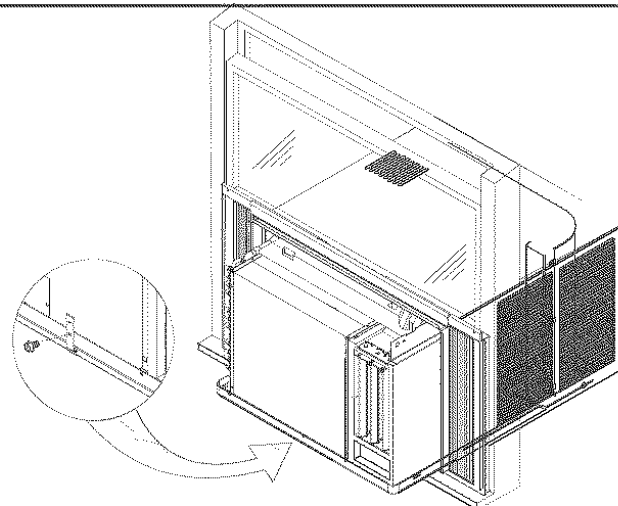


## 9 RETURN CHASSIS TO OUTER CASE

Find someone to help you replace chassis in outer case.

Install basepan clip. Replace front panel, and grille (install two screws for HWS14XCA, HWS18VCA, HWS20VCA). Where possible install two screws in rear of outer case, removed in step one.

**IMPORTANT:** Because window sash helps keep unit in window, make certain window sash contacts outer case before reinstalling chassis.



## Wall Installations: slide-out chassis only

Note: Remove the 1 or 2 shipping screws on the rear of the air conditioner that hold the chassis to the outer shell casing. Once removed, these do not have to be re-installed. To ensure that your air conditioner is properly installed in the wall, it is recommended that it be installed by a certified technician who is familiar with through the wall installations.

- 1) Using wood, 1" or more in thickness, build a wooden frame to fit the casing/cabinet dimensions of the unit which you have purchased.
- 2) Measure the outside width and the height of the frame to determine the cutout dimensions necessary for the opening in the wall. The depth of the frame will depend on the depth of the wall. The finished frame must be set in the inside wall. The frame has to be squared and leveled. Remember the frame has to be nailed securely to the wall studs. (See fig. # 11)

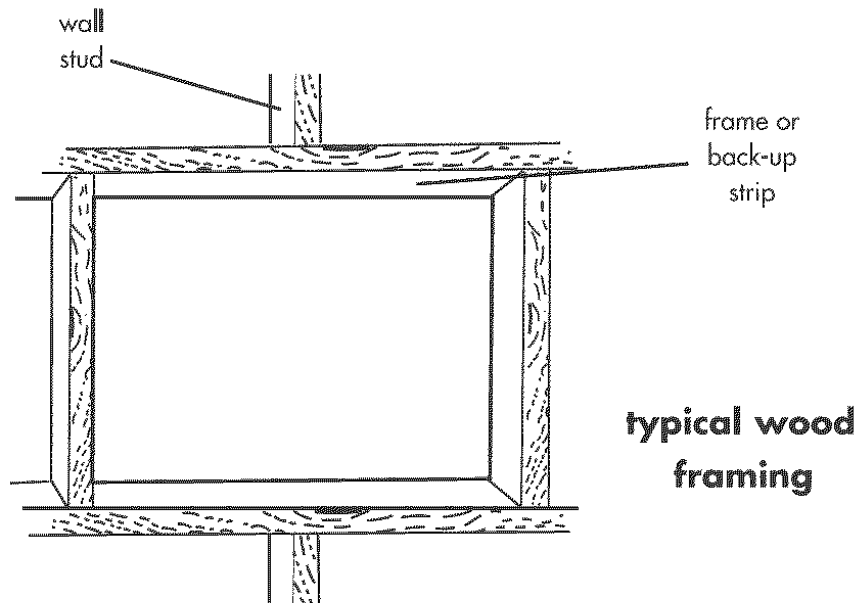


fig. # 11

- 3) Now to install, insert the casing into the wall opening. (Remove the chassis out first following steps 1 – 6 in Slide-out chassis section). Make sure that the cabinet is at least 1/2" inch inside the room. Also the side louvers should not be blocked. This is to have proper air circulation in and around the compressor. (See fig. # 12)

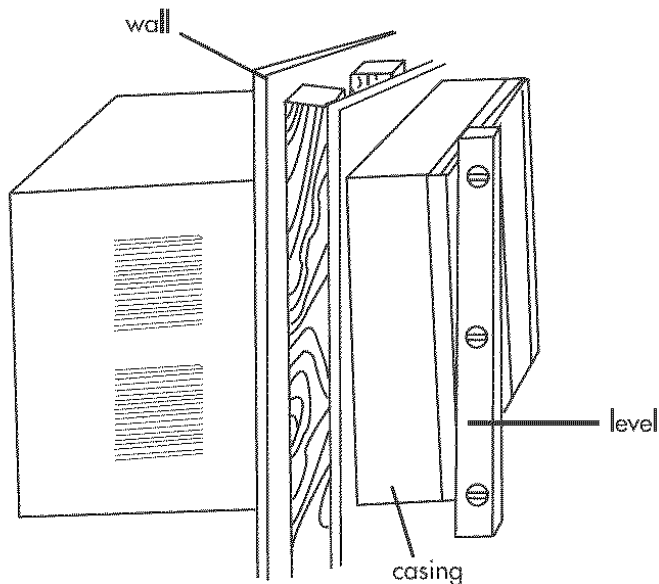


fig. # 12

### typical casing outward tip

- 4) The casing should be tilted 1/4" outside so as to drain the excess dehumidified water.
- 5) Properly insulate any opening between the casing and the frame.
- 6) Use the screw holes on the sides of the unit which are for the window mounting kit and the screw holes in the top mounting kit rail to attach the casing to the wood frame, using the 5/8" screws.
- 7) With the help of another person lift and put the chassis of the air conditioner in to the casing.
- 8) Screw the security screw into place and snap on the grille.
- 9) If the filter was removed during this process, reinsert the filter.
- 10) Screw the two side screws that hold the grille to the casing. (not in all models)
- 11) Use external wall brackets if needed.

**⚠ CAUTION:** If, after completing these steps, the unit appears to be loose or if you are unsure the unit is properly installed, contact a qualified installer.

# Care and Cleaning Guide

top-air  
louvers

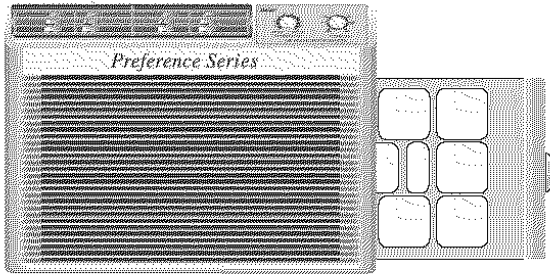
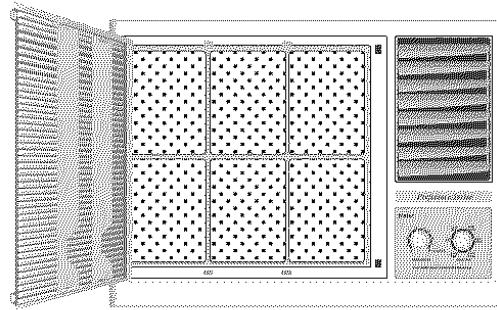


fig. # 13



side-air  
louvers

fig. # 14

- Always unplug your air conditioner before cleaning.
- Air filter needs to be cleaned at least once a month for your unit to operate at optimum efficiency. The filter can be slid out from the side by pulling on the tab located on the middle right side of the front mask. **(See fig.# 13)** Or the filter may be accessed by pressing down on the top and bottom tabs located on the right side of the front mask. **(See fig.# 14)** The filter may be washed or vacuumed. Remove the excess water from the filter by gently shaking the filter. This will remove dust and particles trapped in the filter. After cleaning, reinstall the filter. **DO NOT** use your air conditioner without the air filter in place.
- To clean the front panels or the cabinet **DO NOT** use harsh chemicals, abrasives, ammonia, chlorine, bleach, concentrated detergents, solvents or metal scouring pads. Some of these chemicals may dissolve, damage and/or discolor your air conditioner.
- Always use a soft cloth dampened with water or mild soap and water solution to wipe the front of the cabinet. Wipe dry with a soft cloth.

- To store your air conditioner, after the season, remove the unit from the window as per the installation guide. Repack the unit in its original box and store away. If your unit is installed in a wall or you do not intend to remove it from the window then cover the outside with a winter cover. This can be purchased from the retailer where you purchased your air conditioner or from your local hardware store.
- Before putting away your unit make sure any water left in the pan is removed and drained away. Water left in the pan could lead to Rusting or damage to the electrical connections.

## Trouble-Shooting

### **If air conditioner does not operate:**

- Check if unit is plugged in. The plug may have come loose.
- Check if the electrical wall receptacle is of proper voltage.
- Check if the circuit breaker needs to be reset or if the fuse needs to be replaced.
- Check if the unit is in "Off" mode.
- The fan control may be in "Off" position.

### **Air from air conditioner is warm:**

- The A/C setting may need to be raised.
- The temperature outside the room is below 65°F. The compressor will not cycle on if the temperature outside is below 65°F.

### **Ice formation on cooling coils:**

- Outside temperature too cold. Set the unit on fan only setting to defrost ice.
- Lower temperature setting. Temperature setting may be too cold.
- Unit BTU may be too high for the room.

## **Air conditioner working but room not cooling:**

- Room may have appliances that produce heat. Use an exhaust fan to remove excess heat.
- Vent may be in the open position. Vent has to be closed for optimum cooling.
- Redirect the airflow. Remove any obstacles.
- All doors and windows need to be closed so cool air does not escape the room.
- Air filter may need cleaning.
- Unit BTU may be too low for the required cooling area.
- On extreme hot & humid days air conditioners may take a little longer to cool.

## **Air conditioner is making noise when cooling:**

You may hear sounds of air movement, water, compressor clicking on and off or window vibrations. Please read Operating Guide – Normal Operating Sounds.

## **Water in the air conditioner cabinet:**

This is normal as your air conditioner not only cools but also dehumidifies the air. If there is water dripping inside the room, check the installation of the unit. The unit may need to be reinstalled. Tilt the unit 1/4" outside to drain the excess water produced.

# Limited Warranty

**This warranty covers all defects in workmanship or materials for:**

1. The mechanical and electrical parts (including labor costs) contained in this Haier product, for a period of 12 months, from the date of purchase, (commercial or rental application, the warranty is 90 days).
2. The sealed system and compressor contained in this Haier product is for a period of 5 years, from the date of purchase (excluding labor costs after the initial 12 month period). In commercial or rental use, the additional limited compressor warranty is for 1 year and 9 months, (excluding labor costs after the initial 90 days period).

**You must keep and be able to provide your original sales receipt as proof of the date of purchase.**

## Who is covered?

The original retail purchaser of this Haier product.

## What will be done?

Haier will repair or replace, in your home, any mechanical, electrical part or the compressor, which proves defective in normal household, use for a period of 12 months. Haier will repair or replace (excluding labor costs) the sealed system and compressor (parts only) for an additional 4 year period.

## How can you get service?

1. Contact your nearest Haier authorized Service Depot. For the name of the Service Depot nearest you, contact Haier at (877) 337-3639.
2. All service must be performed, by an authorized Haier Service Depot.

**THIS WARRANTY COVERS UNITS WITHIN THE CONTINENTAL UNITED STATES, CANADA AND PUERTO RICO.**

## THIS WARRANTY DOES NOT COVER:

- Damages from improper installation
- Damages in shipping
- Damages from misuse, abuse, accident, alteration, lack of proper care and maintenance
- Damages from service, by other than an authorized dealer or service center
- Labor, service, transportation and shipping charges for the removal of defective parts and installation of a replacement part, beyond the initial 12 month period.

THIS LIMITED WARRANTY IS GIVEN IN LIEU OF ALL OTHER WARRANTIES, EXPRESS OR IMPLIED, INCLUDING THE WARRANTIES OF MERCHANTABILITY AND FITNESS FOR A PARTICULAR PURPOSE.

The remedy provided in this warranty is exclusive and is granted in lieu of all other remedies. This warranty does not cover incidental or consequential damages. Some states do not allow the exclusion of incidental or consequential damages, so this limitation may not apply to you. Some states do not allow limitations on how long an implied warranty lasts, so this limitation may not apply to you. This warranty gives you specific legal rights, and you may also have other rights, which vary from state to state.



## Un mot de Haier

Félicitations! Vous venez de faire l'acquisition d'un climatiseur d'appartement facile à utiliser et d'une grande fiabilité et qui vous permettra de faire des économies d'énergie. Ce manuel contient des informations importantes qui vous permettront d'installer le climatiseur et de procéder à sa maintenance et de l'utiliser en toute sécurité. Votre climatiseur nettoie, refroidit et assèche l'air de votre pièce afin d'offrir un confort optimal.

Veillez lire les instructions attentivement avant d'utiliser cet appareil. De plus, n'oubliez pas de remplir et de renvoyer la carte d'enregistrement de l'appareil.

## Enregistrement de l'appareil

Notez le numéro du modèle et son numéro de série.

Vous aurez besoin des informations suivantes pour toutes réparations ou opérations d'entretien et de maintenance lors de la période couverte par la garantie. Fixez le reçu de vente à cette notice et conservez-la afin de pouvoir la consulter ultérieurement. Vous trouverez ces informations au niveau de la plaque signalétique de votre appareil. Si la plaque ne se trouve pas sur l'habillage (sur le côté ou au dos), retirez la grille afin de la trouver.

Numéro du modèle:.....

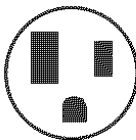
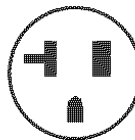
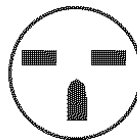
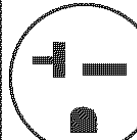
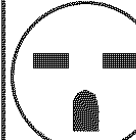
Numéro de série: .....

Date d'achat: .....

Nom du revendeur: .....

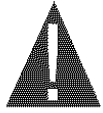
Adresse du revendeur: .....

Numéro de téléphone du revendeur: .....

TABLEAU					
PRISES ET FUSIBLES					
TENSION NOMINALE	125/60		250/60		
AMPÈRES	15	20	15	20	30
PRISE MURALE					
CALIBRE DU FUSIBLE	15	20*	15	20*	30
FUSIBLE À FUSION TEMPORISÉE (ou disjoncteur)	Fusible à Culot	Fusible à Culot	Fusible à Culot		

# CONSIGNES DE SÉCURITÉ

*AVERTISSEMENT: Veuillez suivre ces précautions de base*



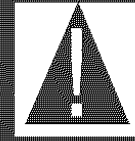
*Lorsque vous utilisez l'appareil afin de réduire tout risque d'incendie, d'électrocution, de blessure, voire de mort.*

- 1) Le climatiseur doit être branché au niveau d'une prise électrique d'une tension adéquate. (Consultez le tableau)
- ▲ 2) L'appareil doit être mis à la terre (masse) afin de réduire tout risque d'électrocution et d'incendie. **NE PAS COUPER NI RETIRER LA BROCHE DE MASSE.** Si votre prise murale ne peut accueillir une fiche à trois broches, veuillez faire en sorte qu'un électricien qualifié en installe une. La prise murale **DOIT** être mise à la masse.
- ▲ 3) Ne pas utiliser l'appareil si le cordon d'alimentation est effiloché ou fissuré, ou si la fiche et le connecteur sont endommagés.
- ▲ 4) **NE PAS UTILISER UN ADAPTATEUR OU UNE RALLONGE.**
- ▲ 5) Lorsque vous installez votre climatiseur sur une fenêtre, vérifiez que cette dernière est suffisamment robuste afin de soutenir le poids de l'appareil. Vous devrez également fixer l'appareil afin qu'il ne puisse tomber et installer des supports et fixations supplémentaires en fonction du type de fenêtre.
- 6) Ne pas gêner ni obstruer le flux d'air à l'intérieur et à l'extérieur de l'appareil avec des stores, des rideaux, des caches de protections, et des buissons.
- 7) Prenez garde à ne pas vous blesser sur les bords coupants des ailettes à l'avant et à l'arrière de l'appareil.
- 8) Faites attention lorsque vous installez ou retirez l'appareil. Veillez à toujours soulever l'appareil en vous faisant aider par une ou deux autres personnes.
- 9) Débranchez toujours le climatiseur avant de le déplacer ou d'effectuer toute opération de maintenance.

# Sommaire

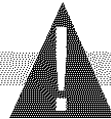
Un mot de Haier .....	
Enregistrement de l'appareil .....	24
Consignes de sécurité.....	25
Avertissements .....	27
Sécurité et électricité.....	27
Conseils .....	28
Guide d'économies d'énergie .....	28
Caractéristiques .....	
Guide d'utilisation .....	30-31
Bruits de fonctionnement lors d'une exploitation normale .....	30
Instructions d'exploitatio.....	
Installations .....	32-43
Pièces fournies .....	33
Outils .....	
Étapes à suivre pour l'installation.....	35-43
Guide de nettoyage et d'entretien.....	44-45
Guide de dépannage.....	
Garantie .....	47

# AVERTISSEMENTS



Il est important de suivre les consignes de sécurité.  
 Ces consignes peuvent vous éviter des blessures voire la mort.  
 Les Avertissements vous mettent en garde et indiquent un Danger.  
 Veuillez suivre les instructions pour votre sécurité et réduire les risques de  
 blessure, voire de mort. Les indications "Avertissement" et "Danger"  
 précèdent les consignes de sécurité.

## Sécurité et Électricité



**Mise à la masse:** Ce climatiseur doit être mis à la masse. La mise à la terre réduit les risques de chocs électriques grâce à une broche permettant que le courant s'échappe. Le cordon électrique comporte un fil de masse avec une broche de masse. Branchez la fiche dans une prise adéquate ayant été mise à la masse.

**AVERTISSEMENT :** Toute utilisation incorrecte de la broche de terre risque d'entraîner une électrocution. Contactez un électricien qualifié si vous ne comprenez pas les instructions de mise à la masse ou si vous ne savez pas si le climatiseur a été correctement mis à la terre. Si la prise murale n'est pas mise à la terre, veuillez contacter un électricien afin de la remplacer par une prise ayant été mise à la masse.

Ne jamais retirer ou couper la troisième broche (masse) du cordon d'alimentation.

**Fiche d'adaptation:** Il est vivement déconseillé d'utiliser une prise d'adaptation.

## Conseils

\*Les climatiseurs ont été conçus afin d'être installés sur une fenêtre à guillotine ou dans une ouverture pratiquée dans un mur uniquement (selon le modèle en question).

\*Lorsque vous installez l'appareil, penchez l'appareil 1/4 de degré vers l'extérieur afin que l'eau puisse d'égoutter à l'extérieur de la maison.



\*Installez l'appareil sur le côté nord de la maison, à savoir le côté ombragé. Ceci vous permettra d'améliorer le rendement de l'appareil.

\* La fenêtre doit être robuste. Vous devrez peut être installer des supports et des fixations supplémentaires en fonction du type de fenêtre. (parenthèses et appuis non inclus dans tous les modèles)

\*Mesurez la fenêtre avant d'installer l'appareil. Si la fenêtre est trop large, faites-vous aider par un professionnel.



\*Assurez-vous que l'appareil puisse être branché sur une prise murale adéquate correspondant à la tension et à l'intensité de ce dernier afin qu'il puisse fonctionner à plein rendement.



\*Toute modification au niveau de votre prise électrique doit être effectuée uniquement par un électricien agréé.

\*Employez une ligne fiable pour l'exécution de votre climatiseur pour éviter la possibilité d'une montée subite électrique.

## Guide d'économies d'énergie

\*Lorsque vous installez votre climatiseur, veuillez faire en sorte que la pièce ne comporte aucune ouverture permettant à l'air froid de s'échapper.

\*Veuillez ne pas gêner le flux d'air à l'intérieur avec des rideaux ou des meubles et avec des buissons à l'extérieur.

\*N'utilisez pas inutilement de lampe ou tout autre appareil risquant de générer de la chaleur.

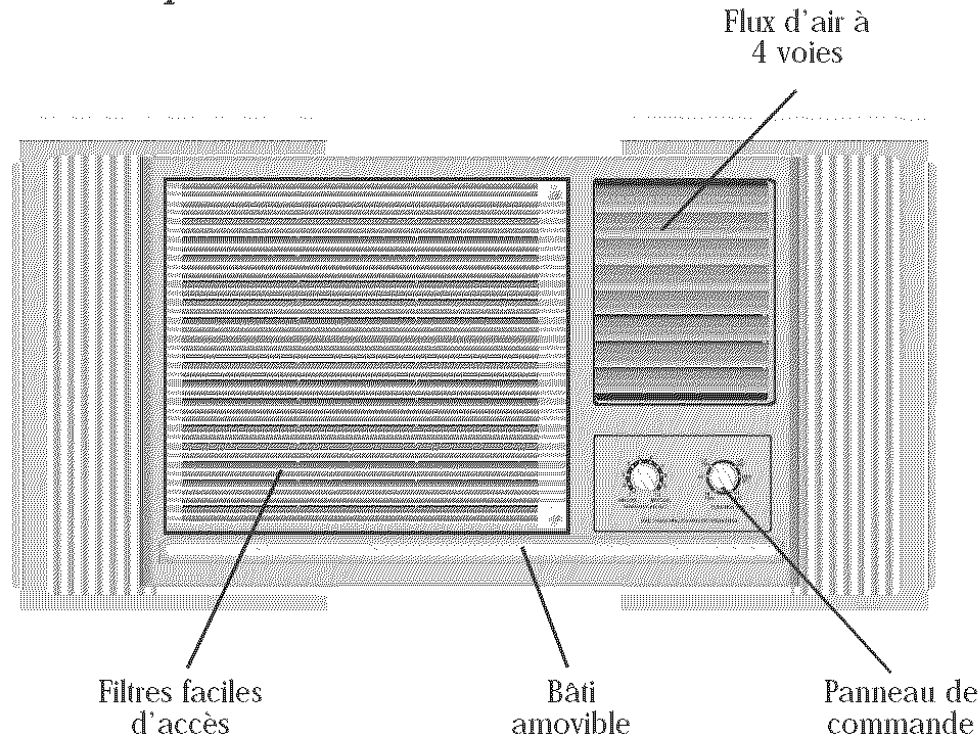
\*Veuillez à ce que l'évent demeure fermé lorsque l'appareil fonctionne.

\*Veuillez à ce que les rideaux et stores de toutes les autres fenêtres soient fermés.

\*Lorsque vous cuisinez, utilisez une hotte d'aération et d'extraction dans la cuisine afin d'aspirer toute chaleur produite.

\*Utilisez toujours un climatiseur d'une puissance en BTU adéquate afin de refroidir la pièce de façon efficace.

## Caractéristiques



(Tous les modèles ne comportent pas toutes ces caractéristiques)

### 1. Bouton de température

Ce bouton permet de régler la température de l'air. Plus le réglage est élevé, et plus la température de l'air est basse. Réglez la température de l'air au niveau que vous désirez grâce à ce bouton. "Min. Cool" est le réglage le moins froid et "Max. Cool" est le réglage plus froid.

### 2. Bouton de réglage

Ce bouton vous permet de régler la vitesse du ventilateur et la vitesse de refroidissement. Il existe 3 positions de réglage sur l'appareil. Réglez le bouton sur "LO" afin de faire circuler l'air le moins rapidement possible, sur "MED" pour une vitesse moyenne et sur "HI" pour un flux d'air maximum. Le ventilateur peut uniquement être réglé sur 2 vitesses, "HI" et "LO".

### 3. Événement (option non disponible sur tous les modèles)

Cette fonction vous permet d'évacuer tout air vicié de la pièce et d'appeler de l'air frais provenant de l'extérieur de la pièce. Pour faire circuler l'air, ouvrez l'événement grâce au levier. (le levier devrait être en mode fermé pour éviter des pertes d'air frais à l'extérieur.)

### 4. Flux d'air à 4 voies

Ces volets d'air directionnels ou persiennes vous permettent de contrôler la direction de l'air. le flux d'air peut être dirigé vers le haut, le bas ainsi qu'à droite et à gauche.

### 5. Bâti amovible (option non disponible sur tous les modèles)

Votre climatiseur peut être monté sur une fenêtre ou dans une ouverture pratiquée dans un mur grâce à cette caractéristique.

### 6. Kit d'installation pour fenêtre

Cette caractéristique vous permet d'installer le climatiseur sur une fenêtre à guillotine. Vous devrez peut-être installer des supports et fixations supplémentaires en fonction du type de fenêtre.

## Guide d'utilisation

### Bruits de fonctionnement lors d'une exploitation normale

Les bruits suivants seront perceptibles lorsque le climatiseur fonctionne.

- \*Le thermostat émet des déclics. Vous entendrez un déclic à chaque fois que le thermostat se met en marche et s'arrête.
- \*Déplacement d'air froid provoqué par le ventilateur.
- \*Bruits d'eau. Ceci est normal puisque votre climatiseur sert également de déshumidificateur. Vous entendrez ainsi des gouttelettes d'eau tomber dans le condenseur.
- \*Vous risquez également d'entendre des bruits stridents lorsque le liquide réfrigérant passe par les tubes intérieurs.
- \*Vous entendrez également des vibrations et des bruits de casse si l'installation dans le mur ou sur une fenêtre laisse à désirer.
- \*Bruits aigus provoqués par le compresseur.

### Instructions d'exploitation

(Voir fig. # 1)

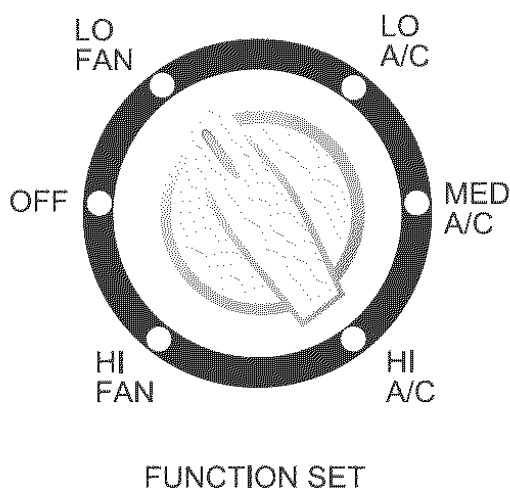
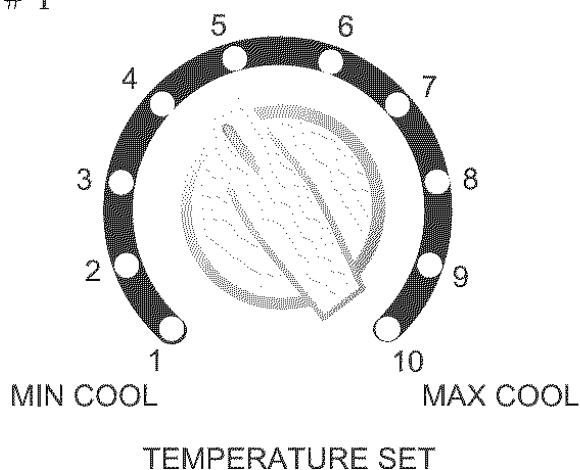


fig. # 1









Après avoir installé votre climatiseur, branchez le cordon d'alimentation dans une prise murale adéquate.

- 1) Sélectionnez "Med A/C" avec le bouton de réglage.
- 2) Réglez le bouton de température sur le niveau moyen. Ceci mettra en marche votre climatiseur.
- 3) Vous pouvez régler le thermostat de "Min. Cool" à "Max. Cool". "Min. Cool" est le réglage le moins froid et "Max. Cool" est le réglage le plus froid.
- 4) Votre climatiseur a 1 ou 2 vitesses de ventilateur et, selon votre modèle acheté, 3 configurations d'cA/c.
- 5) Si votre climatiseur possède un évent (ouverture d'aération), assurez-vous qu'il est fermé. Laissez-le ouvert uniquement lorsque vous désirez recycler l'air vicié de la pièce. Vous pourrez conserver plus d'air froid dans la pièce en le laissant fermé.
- 6) Laissez votre climatiseur fonctionner pendant quelques minutes avant l'ajustement sur les configurations désirées.
- 7) N'oubliez pas que le compresseur du climatiseur ne fonctionnera pas si la température descend en-dessous de 65°F(18°C).
- 8) Après avoir éteint votre climatiseur, attendez 3 minutes avant de le rallumer. En effet, il s'agit de la durée du cycle du compresseur.
- 9) Si vous rencontrez des difficultés lors du fonctionnement du climatiseur, veuillez vous reporter à la section de dépannage.



# Installations

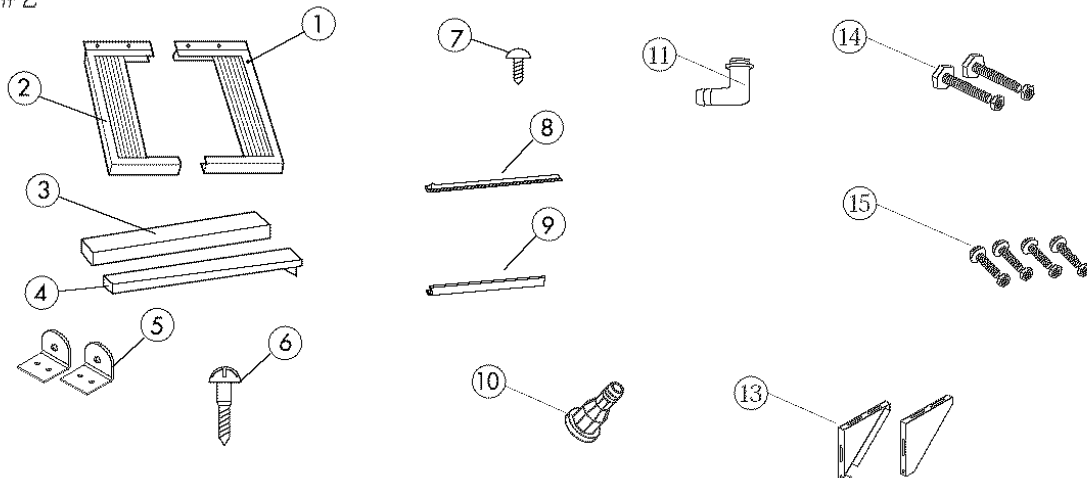
Vérifiez les points suivants avant d'installer votre climatiseur:

- 1) Vérifiez que rien ne gêne l'appel et le flux d'air à l'intérieur et à l'extérieur de la pièce (par ex: rideaux, tentures, meubles, plantes, buissons, arbres ou toute autre type de construction comme un immeuble, un garage, etc.). Il est important que rien ne gêne le flux d'air allant au condenseur afin que l'appareil puisse évacuer l'air chaud.
- 2) Vérifiez que la fenêtre est suffisamment robuste afin de supporter le poids du climatiseur. Vous devrez peut être installer des supports et fixations supplémentaires en fonction du type de fenêtre. (parenthèses et appuis non inclus dans tous les modèles)
- 3) Vérifiez que le rebord de la fenêtre est suffisamment robuste afin de supporter le poids du climatiseur.
- 4) Vérifiez que le mur est suffisamment robuste afin d'accueillir le climatiseur. Vous devrez peut être installer des supports et fixations supplémentaires en fonction du type de mur (parenthèses et appuis non inclus dans tous les modèles).
- 5) Vérifiez qu'il existe une source de courant électrique adéquate à proximité de l'appareil.
-  6) NE PAS utiliser de fiches d'adaptation.
-  7) NE PAS utiliser de rallonges.
-  8) NE PAS couper ni retirer la broche de masse de la fiche.
-  9) NE PAS modifier la fiche ni la prise électrique murale. Si la fiche ne correspond pas à la prise murale, contactez un électricien agréé afin de procéder à la modification.
-  10) NE PAS brancher le cordon électrique avant d'installer l'appareil.
-  11) NE PAS utiliser l'appareil si le cordon d'alimentation est effiloché ou fissuré, ou si la fiche et le connecteur sont endommagés.
- 12) NE PAS installer sur aucun module ou douille existant qui n'ont pas les mises à l'air libre latérales et supérieures.

## Pièces fournies (Voir figure 2)

Réf.	Description de la pièce	Modèle			
		HWA05XCA HWF05XCA HWS05XCA HWS06XCA HWF07XCA HWF05XCB	HWS08XCA	HWS10XCA HWS12XCA	HWS14XCA HWS18VCA HWS20VCA
1	Persienne droite	1	1	1	1
2	Persienne gauche	1	1	1	1
3	Joint en mousse de la fenêtre à guillotinél	1	1	1	1
4	Ruban adhésif pour étanchéiser la fenêtre	1	1	1	1
5	Angle de base de casserole	2	2	2	2
6	Vis de 3/8 po.	9	9	9	9
7	Vis de 5/8 po.	6	9	9	12
8	Bande étanche pour rail supérieur	monté	1	1	1
9	Rail de montage supérieur	monté	1	1	1
10	Videz le tube de l'eau			1	
11	Raccord coudé pour sortie d'eau		1		
12	Rail de montage inférieur	monté	monté	monté	monté
13	Parenthèse d'installation		2	2	2
14	2 1/2 po. Boulon et contre-écrou		2	2	2
15	19/32 po. Vis et contre-écrou		4	4	4

Fig. #2



## Outils

Vous aurez besoin des outils suivants pour l'installation du climatiseur:

- \* Ciseaux
- \* Tournevis cruciforme
- \* Tournevis ordinaire
- \* Pinces
- \* Clé à molette
- \* Perceuse et forets
- \* Mètre (ruban gradué)
- \* Gants
- \* Niveau
- \* Clé à douille

## Étapes à suivre pour l'installation

Lisez toutes les instructions avant de procéder à l'installation.

Il existe 2 types d'installation:

- a) Sur fenêtre à guillotine
- b) Dans une cloison ou un mur

Déterminez l'emplacement idéal afin d'installer le climatiseur. Le climatiseur doit être monté sur une fondation robuste et à niveau. Ceci réduira les vibrations et contribuera à la sécurité de l'installation. Vérifiez qu'il existe une prise murale électrique adéquate à proximité de l'appareil. Vous devrez peut être installer des supports et des fixations supplémentaires pour monter le climatiseur (parentèses et appuis non inclus dans tous les modèles).

### Installation sur fenêtre: Bâti fixe

Si votre climatiseur est un appareil fixe, il devra être utilisé uniquement sur une fenêtre.

- 1) Glissez les pièces de montage des persiennes dans les rails supérieurs et inférieurs sur l'appareil. Répétez l'opération pour l'autre côté de l'appareil. (Voir figure 3)
  - 2) Fixez la persienne flexible sur le côté de l'habillage à l'aide des vis trois (3) vis de 3/8 po. Vous aurez besoin d'un tournevis cruciforme Phillips. Répétez l'opération pour l'autre côté.
- Après avoir fixé les deux côtés, vous pouvez à présent monter l'appareil sur la fenêtre. (Voir figure 3)

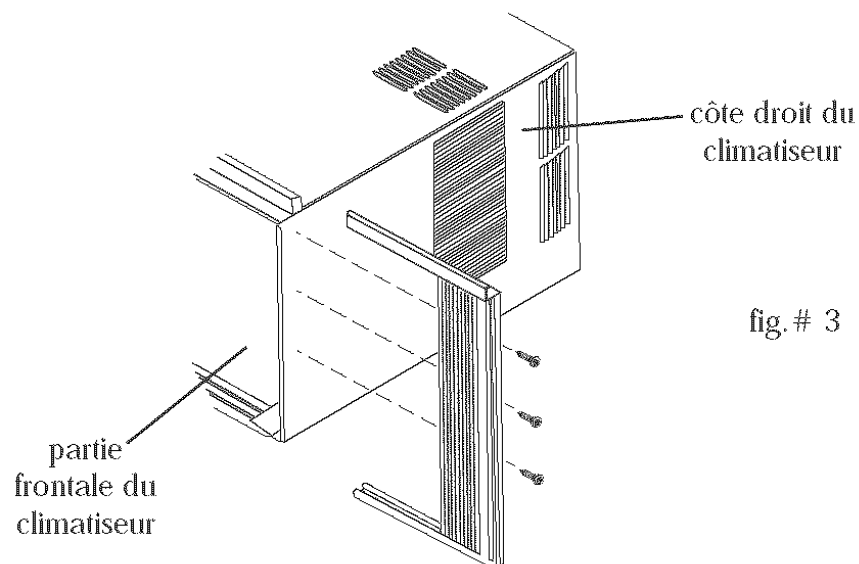


fig. # 3

3) Mesurez la guillotine de la fenêtre afin de couper le ruban adhésif à la même longueur que la fenêtre. Décollez la bande et collez-la au bas de la guillotine de la fenêtre. (Voir Figure 4)

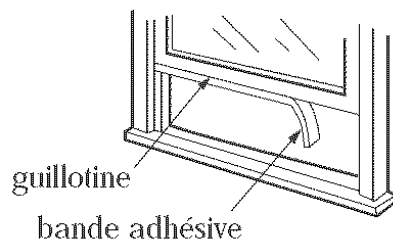
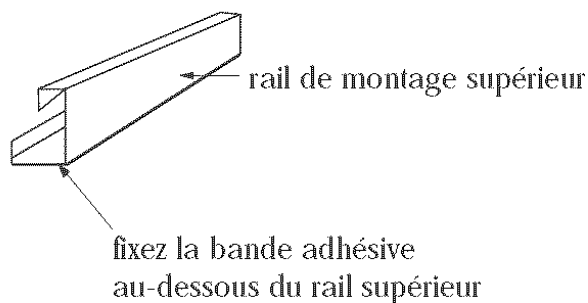


fig. # 4

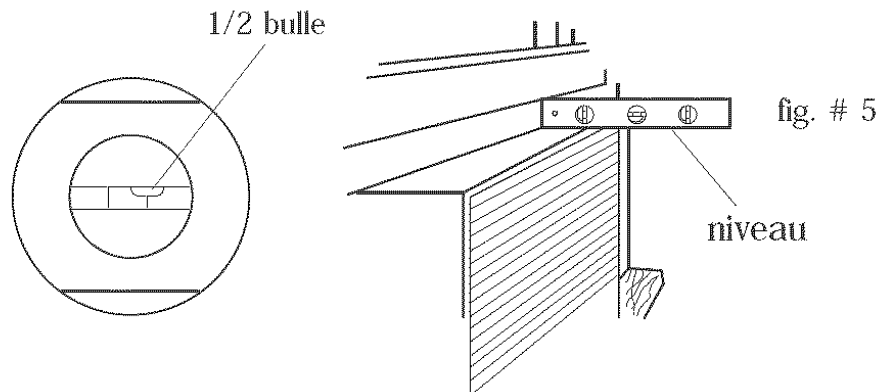


**ATTENTION:** Le climatiseur doit toujours être soulevé par 2 personnes.

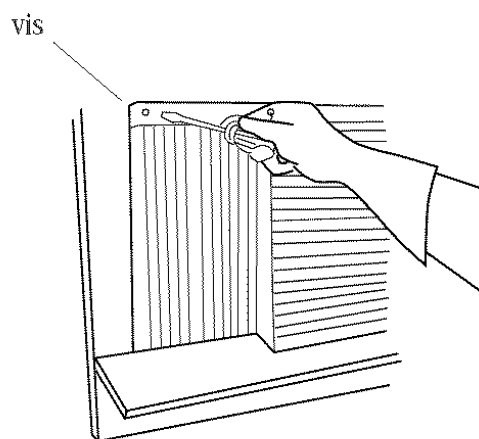
4) Soulevez le climatiseur avec précaution et placez-le au centre du cadre de la fenêtre. Veillez à ce que le rail inférieur se trouve derrière l'appui de la fenêtre. Lorsque la fenêtre est abaissée, la guillotine doit être placée fermement derrière le rail de montage supérieur. Il vous faudra peut-être retirer la contre-fenêtre si elle gêne la mise en place de l'appareil.

5) N'oubliez pas de pencher l'appareil 1/4 po. (6 mm) vers l'extérieur afin que l'eau puisse d'égoutter à l'extérieur de la pièce.

Utilisez un niveau afin de vérifier l'angle d'inclinaison. (Voir figure 5)



6) À présent, tirez sur les persiennes latérales afin qu'elles atteignent les côtés de la fenêtre. Introduisez et vissez une (1) vis de 5/8 po. de chaque côté afin de fixer les persiennes. Il vous est possible d'utiliser des vis supplémentaires. (Voir figure 6)



7) Mesurez et coupez le joint en mousse de caoutchouc de la guillotine de la fenêtre afin de sceller toutes les ouvertures entre les fenêtres supérieures et inférieures. Ceci évitera que les insectes et l'air chaud s'introduisent dans la pièce. (Voir figure 7)

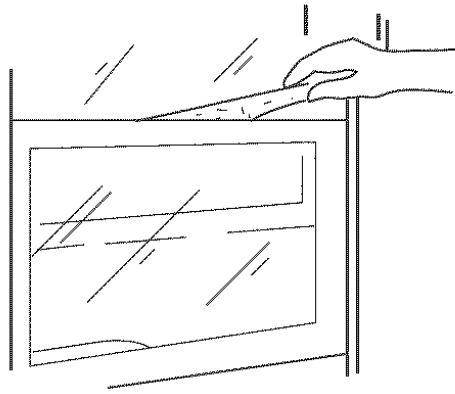


fig. # 7

8) Desserrez la vis tenant l'avant en plastique en utilisant plusieurs tours. Glissez l'angle de base de casserole au-dessus de la tête de vis. Serrez les vis avec l'angle basepan se reposant sur le rebord de fenêtre. Pour fixer l'angle basepan avec le rebord de fenêtre, employez deux 5/8" des vis. Répétez le processus pour le s opposé.

(Voir figure 8)

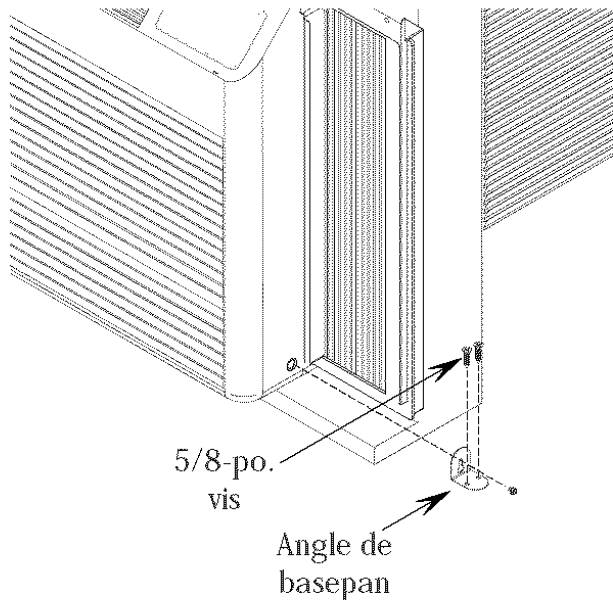


fig. # 8

**⚠ ATTENTION:** Si l'appareil paraît être mal installé après avoir suivi les étapes précédentes, contactez un installateur qualifié.

## Installation sur Fenêtre: Bâti amovible

Remarque: Retirer les 2 vis d'expédition situées à l'arrière du climatiseur qui maintiennent le châssis sur l'enveloppe extérieure. Une fois retirées, il est inutile de les remettre en place. Si votre climatiseur porte un bâti amovible et si le mécanisme intérieur de l'appareil peut être retiré de l'habillage, suivez les instructions ci-dessous afin de préparer l'installation. (non inclus dans tous les modèles)

1) Si vous avez acheté un modèle supérieur de décharge retirez les 2 vis latérales qui tiennent le grill en fonction dans l'enveloppe ou le module. Pour tous les autres modèles vous devrez également retirer le filtre pour retirer la vis qui est localisée derrière lui. (Voir figure 10)

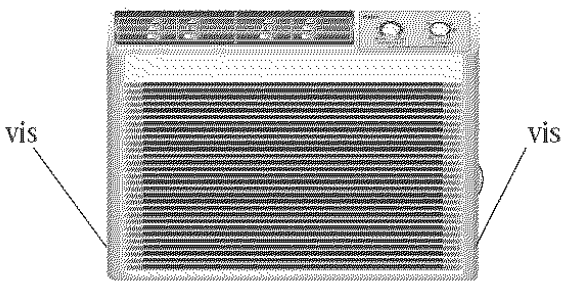


fig. # 9  
décharge supérieure

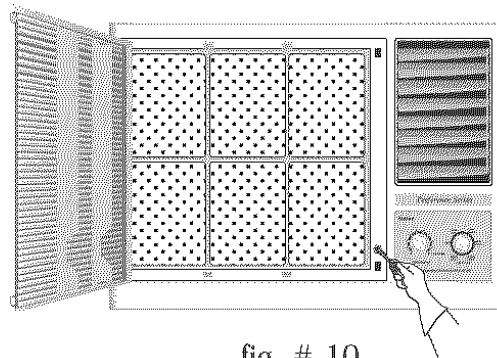


fig. # 10  
décharge latérale

2) Avec précaution, poussez vers l'extérieur en plaçant votre main vers la droite (faisant face à l'appareil). Ceci permettra de relâcher la languette de la grille frontale du côté droit de l'habillage. Il vous faudra peut être utiliser un tournevis à lame plate pour y parvenir.

3) Placez votre main à droite, sur la partie supérieure et à l'intérieur de la grille et poussez vers le haut afin de relâcher la languette supérieure de la grille de l'habillage.

4) Répétez l'opération pour le côté gauche du bâti. Ensuite, soulevez le bâti et retirez-le de l'habillage.



- 5) Retirez la vis de sécurité retenant le bâti à l'habillage.
- 6) Glissez le bâti afin de le retirer de l'habillage en vous aidant de la poignée située sur la partie inférieure.
- 7) Mesurez la guillotine de la fenêtre afin de couper le ruban adhésif à la même longueur que la fenêtre. Décollez la bande et collez-la au bas de la guillotine de la fenêtre. (Voir Figure 4)
- 8) Décollez la bande du rail de montage supérieur et collez-la au niveau de la base du rail supérieur de montage. Fixez le rail de montage supérieur sur le dessus de l'habillage avec trois (3) vis de 5/8 po. fournies. Le bord plat du rail de montage supérieur doit vous faire face (les modèles à décharge supérieure possèdent un rail supérieur de montage pré-installé).
- 9) À présent, montez les persiennes à droite et à gauche de l'habillage avec les six (6) vis de 3/8 po. fournies (3 de chaque côté). (Voir figure 2 et figure 3)
- 10) Installez le tube ou le coude de drain (pas dans tous les modèles) Ajustez la direction du tube de drain (coude de drain) pour le faire être en conformité avec le trou dans l'arrière de l'unité. Insérez le tube de drain (coude de drain) dans le trou et tordez. (See fig. # 11)

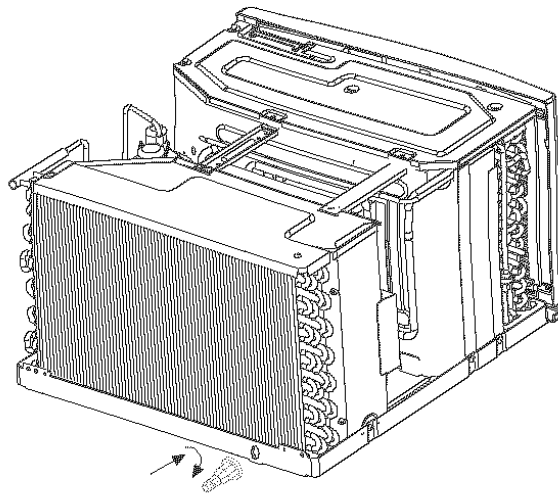
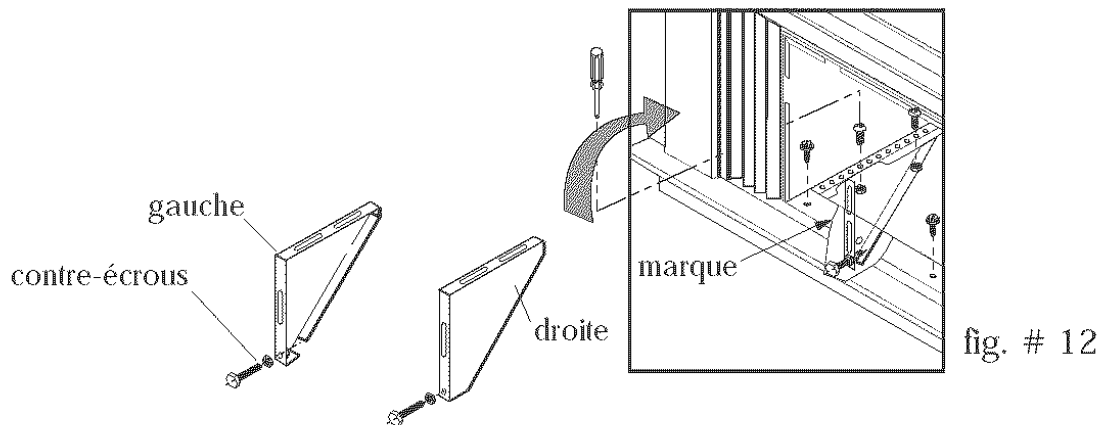


fig. # 11

11) Montez l'habillage vide sur la fenêtre et suivez les étapes 4 à 8 de la section "Installations sur fenêtre: Bâti fixe"

12) Installez les parenthèses gauches et droites d'installation (pas dans tous les modèles) et, comme représenté sur la figure, installez le boulon (2 1/2 po. long boulon et contre-écrou principaux plats) sur la parenthèse d'installation et ajustez-les sur la longueur appropriée. Puis, utilisez 4-19/32 po. des vis pour fixer les parenthèses sur le cas.



13) En vous faisant aider par une deuxième personne, soulevez le bâti et glissez-le dans l'habillage ayant été auparavant monté dans la fenêtre. Vous devrez peut être installer des supports et des fixations supplémentaires.

14) Vissez la Vis de sécurité retenant le bâti à l'habillage.

15) Placez la grille en appuyant puis vissez-la sur le bâti.

16) Installez l'angle de base de casserole. (Voir fig. # 8)

17) Vissez les deux vis latérales qui tiennent le gril sur l'enveloppe.

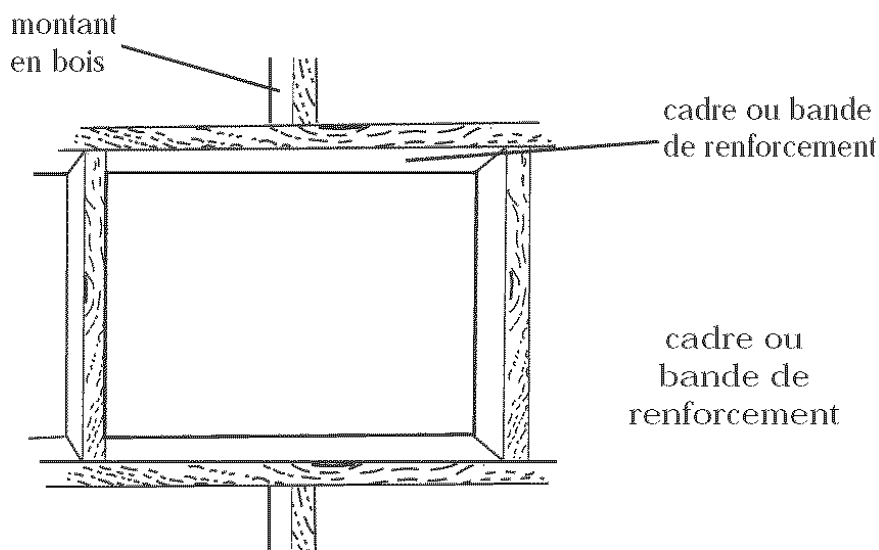


**CAUTION:** Si l'appareil paraît être mal installé après avoir suivi les étapes précédentes, contactez un installateur qualifié.

## Installation dans un mur: pour bâti amovible uniquement

Remarque: Afin de vous assurer que le climatiseur a été correctement monté dans le mur par un installateur agréé s'étant familiariser à ce type de montage. Retirer les 2 vis d'expédition situées à l'arrière du climatiseur qui maintiennent le châssis sur l'enveloppe extérieure. Une fois retirées, il est inutile de les remettre e place.

- 1) Utilisez une planche de bois d'au moins 1po. (2,54 cm) d'épaisseur afin de correspondre aux dimensions de l'habillage de votre appareil.
- 2) Mesurez la largeur de l'extérieur et la hauteur du cadre afin de déterminer les dimensions de l'ouverture à pratiquer dans le mur. La profondeur du cadre dépendra de la profondeur du mur. Après avoir terminé de construire le cadre, placez-le dans le mur. Le cadre doit être carré et à niveau. N'oubliez pas que le cadre doit être solidement fixé aux montants en bois de la cloison avec des clous.



- 3) Pour installer, placez l'habillage dans l'ouverture pratiquée dans le mur. (Retirez tout d'abord le bâti en suivant les étapes 1 à 6 de la section "Bâti amovible"). Vérifiez que l'habillage dépasse d'au moins 1/2 po. (1,2 cm) dans la l'appartement. De plus, veillez à ce que rien ne gêne les persiennes latérales afin que l'air puisse circuler librement à l'intérieur du compresseur. (Voir la figure 14):

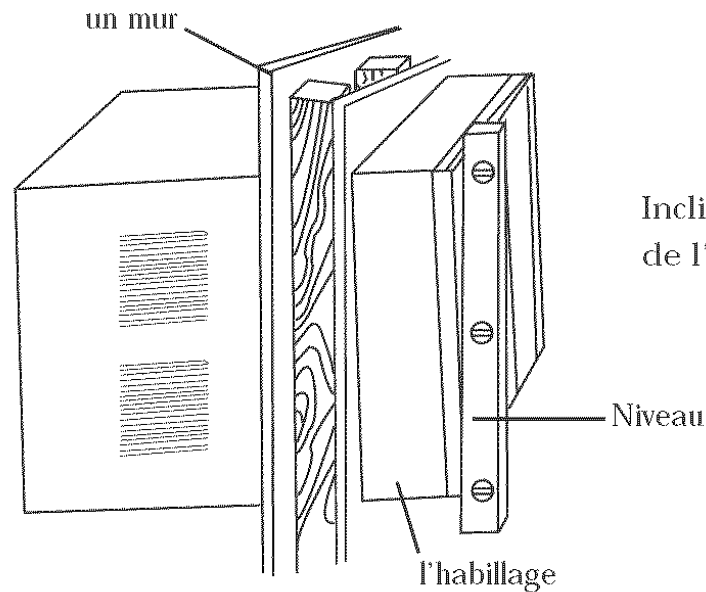


fig. # 14

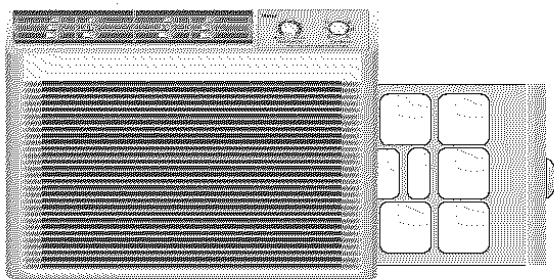
Inclinaison typique  
de l'habillage vers  
l'extérieur

- 4) L'habillage doit être penché 1/4 po. (6 mm) vers l'extérieur afin que l'eau puisse d'égoutter à l'extérieur.
- 5) Isolez et étanchéisez toute ouverture entre l'habillage et le cadre en bois.
- 6) Utilisez les trous de vis sur les côtés de l'appareil destinés au kit de montage pour fenêtre ainsi que les trous de vis du kit de rail de montage supérieur afin de fixer l'habillage au cadre en bois, utilisez les vis de 5/8 pouce.
- 7) En vous faisant aider par une deuxième personne, soulevez le bâti du climatiseur et glissez-le dans l'habillage.
- 8) Vissez la vis de sécurité et remplacez la grille en appuyant.
- 9) Si vous avez retiré le filtre, remettez-le en place.
- 10) Vissez les deux vis latérales qui tiennent le gril sur l'enveloppe. (option non disponible sur tous les modèles)
- 11) Utilisez les parenthèses de mur externes si nécessaire.

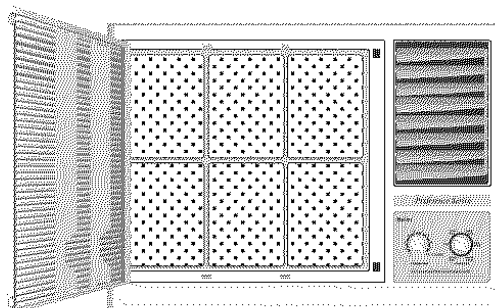


**CAUTION:** Si l'appareil paraît être mal installé après avoir suivi les étapes précédentes, contactez un installateur qualifié.

## Guide de Nettoyage et d'entretien



persiennes  
supérieures



persiennes  
latérales

\*Débranchez toujours le cordon électrique avant de nettoyer le climatiseur.

\*Le filtre à air doit être nettoyé au moins une fois par mois afin que l'appareil fonctionne à son rendement optimal. Retirez le filtre en tirant sur la languette située sur la moitié du côté droit du cache de protection avant (Voir figure 15). Vous pouvez également accéder au filtre en pressant sur les languettes supérieures et inférieures situés sur le côté droit du cache de protection avant (Voir figure 16). Le filtre peut être lavé ou nettoyé à l'aspirateur. Retirez l'eau du filtre en le secouant légèrement. Ceci vous permettra de retirer la poussière et les particules à l'intérieur du filtre. Après avoir nettoyé le filtre, remplacez-le. **NE PAS** utiliser le climatiseur sans filtre.

\*Pour nettoyer les panneaux avant ou l'habillage, **NE PAS** utiliser les produits suivants: produits chimiques puissants, agents abrasifs, chlore, ammoniac, détergents concentrés, solvants, tampons à récurer ou tampons en laine ou paille de fer. Certains de ces produits chimiques risquent de dissoudre, d'endommager et de décolorer la surface du climatiseur.

\*Veillez à toujours utiliser un chiffon humide avec de l'eau ou une solution savonneuse à base d'eau et de savon peu puissant afin d'essuyer l'avant de l'habillage. Séchez en essuyant avec un chiffon sec.

\*Pour ranger et remiser votre climatiseur après la saison chaude, retirez l'appareil de la fenêtre en suivant les instructions du guide d'installation. Remplacez le climatiseur dans son carton d'origine et rangez-le. Si votre appareil a été monté dans un mur ou une cloison ou si vous ne comptez pas le retirer de la fenêtre, placez une housse de protection pour l'hiver sur la partie extérieur. Vous pouvez vous procurer ces housses auprès du revendeur qui vous a vendu le climatiseur ou auprès de votre quincaillier le plus proche.

\*Avant de remiser l'appareil, assurez-vous qu'il ne reste pas d'eau dans le bac et que toute l'eau a été purgée. Toute eau demeurée dans le bac risque d'entraîner la formation de rouille et d'endommager les raccordements électriques.

## Guide de dépannage

Si le climatiseur ne fonctionne pas:

- \*Assurez-vous que le cordon électrique est branché. La fiche risque de s'être débranchée.
- \*Assurez-vous que la prise de courant murale correspond à la tension et à l'intensité de l'appareil.
- \*Assurez-vous que le disjoncteur a été réarmé si nécessaire et que les fusibles ne doivent pas être remplacés.
- \*Assurez-vous que l'appareil se trouve sur "Off"(mode d'arrêt).
- \*Le ventilateur risque d'être sur "Off"(arrêt).

L'air sortant du climatiseur est chaud:

- \*Le réglage de l'air conditionné doit probablement être augmenté.
- \*La température à l'extérieur de la pièce est inférieure à 65°F(18°C).
- \*Le compresseur ne fonctionnera pas si la température extérieure est inférieure à 65°F(18°C).

Du givre Se forme sur les bobines de refroidissement:

- \*La température extérieure est trop froide. Réglez l'appareil sur le mode de ventilation afin de dégivrer les bobines.
- \*Abaissez la température. Le réglage de la température est probablement trop bas.
- \* La puissance en BTU de l'appareil est probablement trop élevée pour la pièce.

Le climatiseur fonctionne mais la pièce ne se refroidit pas:

- \*La pièce comporte sans doute des appareils générant de la chaleur. Utilisez un ventilateur extracteur d'air afin de retirer la chaleur.
- \*L'évent est probablement ouvert. Fermez l'évent pour refroidir la pièce au maximum.
- \*Toutes les portes et fenêtres doivent être fermées afin que l'air froid ne puisse s'échapper de la pièce.
- \*Il est possible que les filtres soient sales et doivent être nettoyés.
- \*La puissance en BTU de l'appareil est insuffisante afin de refroidir la pièce.
- \*Il faut toujours un peu plus de temps pour refroidir une pièce lors d'une chaleur extrême et d'une forte humidité.

Le climatiseur fait du bruit lorsqu'il fonctionne:

Vous entendrez sans doute des bruits de déplacements d'air, d'eau, des clics et les vibrations de la fenêtre. S'il vous plaît lisez attentivement la section "Bruits de fonctionnement lors d'une exploitation normale" du guide d'utilisation.

Présence d'eau dans l'habillage du climatiseur:

Ceci est normal car le climatiseur non seulement refroidit mais assèche l'air. Si de l'eau s'égoutte dans la pièce, vérifiez l'installation. Vous devrez peut être recommencer l'installation. Penchez l'appareil 1/4 po. (6 mm) vers l'extérieur afin que l'eau puisse d'égoutter à l'extérieur de la maison.

## Garantie Limitée

Cette garantie couvre les pièces suivantes du climatiseur contre tous vices de fabrication et de matériaux:

1. Les pièces mécaniques et électriques (y compris les frais de main d'oeuvre) de ce produit Haier pour une période de 12 mois à partir de la date d'achat (pour utilisation commerciale et location, la garantie est de 90 jours).

2. Le système scellé et le compresseur contenu à l'intérieur de ce produit Haier pour une période de 5 ans à partir de la date d'achat (frais de main d'oeuvre non compris après les 12 premiers mois de couverture). Si l'appareil est utilisé commercialement ou en location, la garantie supplémentaire du compresseur est de 1 à 9 mois (frais de main d'oeuvre non compris après les 90 premiers jours).

Veillez conserver votre reçu de vente daté comme preuve d'achat.

Qui est couvert?

L'acheteur d'origine ayant fait l'acquisition de cet appareil Haier.

Quelles sont les réparations couvertes?

Haier s'engage à réparer ou à remplacer à votre domicile, et pour une durée de 12 mois, toute pièce mécanique ou électrique du compresseur ayant été déterminée défectueuse suite à une utilisation jugée normale. Haier s'engage à réparer ou à remplacer (frais de main d'oeuvre non compris) le système scellé et le compresseur (pièces uniquement) pour une période supplémentaire de 4 ans.

Démarches à suivre pour toutes réparations

1. Contactez votre centre de réparation agréé Haier le plus proche. Pour connaître le nom du centre agréé Haier le plus proche, composez le (877) 337-3639.

2. Toute réparation doit être effectuée par un centre de réparation agréé Haier.

LA GARANTIE COUVRE LES APPAREILS SUR LE TERRITOIRE CONTINENTAL DES ETATS-UNIS, AU CANADA ET A PUERTO RICO.

LA GARANTIE NE COUVRE PAS:

\*Les dommages survenant suite à une installation incorrecte.

\*Les dommages survenant lors du transport.

\*Les dommages et dégâts suite à toute utilisation incorrecte ou abusive, négligence ou modification.

\*Les dommages suite à des réparations ayant été effectuées par un concessionnaire ou revendeur autre que par un centre de réparation agréé Haier.

\*Les pièces de garniture en verre.

\*Les frais de main d'oeuvre, de réparations, de transport et tous frais d'expédition couvrant le démontage de pièces et le montage des pièces de rechange au-delà des 12 premiers mois.

LA PRÉSENTE GARANTIE REMPLACE TOUTE AUTRE GARANTIE EXPRESSE OU IMPLICITE Y COMPRIS TOUTE GARANTIE DE COMMERCIALITÉ OU DE QUALITÉ MARCHANDE ET D'APTITUDE À UNE UTILISATION PARTICULIÈRE.

Le recours offert par la garantie est un recours exclusif et tient lieu de recours unique. Cette garantie ne couvre pas les dommages accessoires ou indirects. Certains états ou provinces ne permettent ni la limitation de la durée d'une garantie implicite ni l'exclusion de dommages indirects. Les limites ou exclusions mentionnées ci-dessus peuvent ne pas s'appliquer dans votre cas. Cette garantie vous confère des droits juridiques particuliers et il est possible que vous ayez d'autres droits qui peuvent varier selon l'état et la province.



## Un Mensaje De Haier

Le agradecemos que haya comprado el acondicionador de aire de HAIER para habitación, un aparato confiable, que ahorra energía y de operación fácil. Este manual contiene información útil para el mantenimiento, la operación, la instalación y el uso seguro de su acondicionador de aire para habitación. El acondicionador de aire limpia, enfría y reduce la humedad del aire de la habitación para proporcionarle el más alto nivel de confort.

Por favor, lea cuidadosamente estas instrucciones antes de usar el aparato. Además, no olvide llenar y enviarnos por correo la **Tarjeta de Registro del Producto**.

## Registro Del Producto

**Registre el Modelo y Número de Serie de su Aparato.**

Para todos los pedidos de servicio durante el período de garantía es necesario tener la siguiente información. Adjunte su recibo de compra a esta guía y guárdelos para referencia futura.

La información que aquí se pide se encuentra en la placa de serie del acondicionador de aire. La placa está colocada en el gabinete (en el costado lateral o en el respaldo) o puede ser necesario remover la rejilla del frente para encontrarla.

Modelo Número: .....

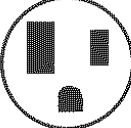

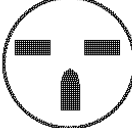
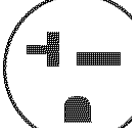
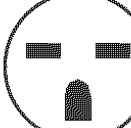
Número de Serie: .....

Fecha de Compra: .....

Nombre del Distribuidor: .....

Dirección del Distribuidor: .....





Teléfono del Distribuidor: .....

TABLA					
TIPO DE RECEPTACULO Y FUSIBLES					
VOLTIOS INDICADOS	125/60		250/60		
AMPÉRES	15	20	15	20	30
RECEPTACULO DE PARED					
CAPACIDAD DEL FUSIBLE	15	20*	15	20*	30
FUSIBLE ELEVADOR O INTERRUPTOR	TIPO DE ENCHUFE	TIPO DE ENCHUFE	TIPO DE ENCHUFE		

# PRECAUCIONES DE SEGURIDAD

**ADVERTENCIA:** *Tome estas precauciones básicas para reducir los riesgos de incendio, choque eléctrico, lesiones o accidentes fatales, cuando usa su acondicionador de aire.*



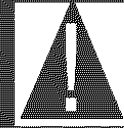
- 1) El acondicionador de aire debe conectarse a un receptáculo eléctrico adecuado, energizado con la corriente apropiada. *(ver la tabla)*
- 2)  La conexión eléctrica debe proporcionar una conexión segura a tierra para reducir los riesgos de choque eléctrico o incendio. **NO CORTE O REMUEVA LA CLAVIJA DEL ENCHUFE QUE PROPORCIONA LA CONEXIÓN A TIERRA.** Si no tiene en la pared un receptáculo eléctrico para tres clavijas, pida a un electricista certificado que le instale el receptáculo adecuado. El receptáculo **DEBE** estar conectado a tierra correctamente.
- 3)  No use un cable de alimentación que se encuentre gastado o en malas condiciones. Evite usarlo si muestra grietas o daños por desgaste en el cable mismo o en el enchufe o conector.
- 4)  **NO USE ADAPTADORES O CABLES DE EXTENSION.**
- 5)  Cuando instale el acondicionador de aire en una ventana, asegúrese que la ventana es suficientemente fuerte para sostener el peso del acondicionador de aire. También verifique que el aparato queda seguro y correctamente instalado para evitar que pueda caerse. Según su ventana, puede ser necesario instalar apoyos o soportes adicionales para que el aparato quede apropiadamente instalado.
- 6) No obstruya la corriente de aire del acondicionador dentro de la habitación, o fuera de ella, con persianas, cortinas, cubiertas de protección, arbustos o matas.

- 7) Tenga cuidado con los bordes agudos de las aletas en el frente y en respaldo de la unidad, que pueden cortarle y causarle lesiones graves.
- 8) Tenga cuidado cuando levanta el acondicionador de aire para instalarlo o remover la unidad. Siempre realice esta operación con dos personas por lo menos.
- 9) Siempre recuerde desconectar el acondicionador de aire antes de darle servicio o moverlo.

# Indice

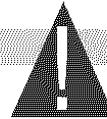
	<b>PAGINA</b>
<b>Un Mensaje De Haier .....</b>	<b>48</b>
<b>Registro Del Producto .....</b>	<b>48</b>
<b>Precauciones De Seguridad .....</b>	<b>49-50</b>
<b>Advertencias.....</b>	<b>52</b>
<b>La Seguridad en los Aparatos Eléctricos.....</b>	<b>52</b>
<b>Sugerencias.....</b>	<b>53</b>
<b>Guía de Ahorro de Energía.....</b>	<b>53</b>
<b>Características.....</b>	<b>54</b>
<b>Guía De Operación.....</b>	<b>55-56</b>
Sonidos De Operación Normal.....	<b>55</b>
Instrucciones De Operación.....	<b>55-56</b>
<b>Instalaciones.....</b>	<b>57-68</b>
Piezas Que Se Suministran.....	<b>58</b>
Herramientas.....	<b>59</b>
Procedimiento De Instalación.....	<b>60-68</b>
<b>Guía para el Cuidado y Limpieza del Aparato.....</b>	<b>69-70</b>
<b>Resolución De Problemas.....</b>	<b>70-71</b>
<b>Informacion De Garantía .....</b>	<b>72</b>

# ADVERTENCIAS



El observar cuidadosamente los mensajes de seguridad es muy importante. Estos mensajes pueden evitar que usted pueda sufrir lesiones graves y aún de muerte. Los símbolos de **Advertencia** le dan la alerta, le urgen a que sea cuidadoso y siempre significan **Peligro**. Siga siempre estas instrucciones para obrar con seguridad y reducir los riesgos de lesiones o muerte. Las señales de **Advertencia** o **Peligro** preceden los mensajes de seguridad.

## La Seguridad Con Los Aparatos Eléctricos



**Conexión a Tierra:** Este acondicionador de aire debe contar con conexión a tierra. La conexión a tierra reduce el riesgo de choque eléctrico proporcionando un cable de escape para la corriente eléctrica. El cable de alimentación de corriente cuenta con un cable de conexión a tierra y con un enchufe que permite esta conexión. Conecte el enchufe en un receptáculo o tomacorriente apropiadamente instalado y con conexión a tierra.

**ADVERTENCIA:** El uso inapropiado del enchufe con conexión a tierra puede crear el riesgo de choque eléctrico. Llame a un electricista calificado si usted no entiende las instrucciones de conexión a tierra o si usted no está seguro de que el acondicionador de aire ha quedado conectado a tierra en forma apropiada. Si el receptáculo de pared no está conectado a tierra, por favor llame a un electricista para que lo reemplace por uno debidamente conectado a tierra.

**De ninguna manera, y bajo ninguna circunstancia, corte o remueva del enchufe la tercera clavija (de conexión a tierra).**

### Enchufe de

**Adaptación:** Encarecidamente le aconsejamos que no use enchufes o accesorios de adaptación.

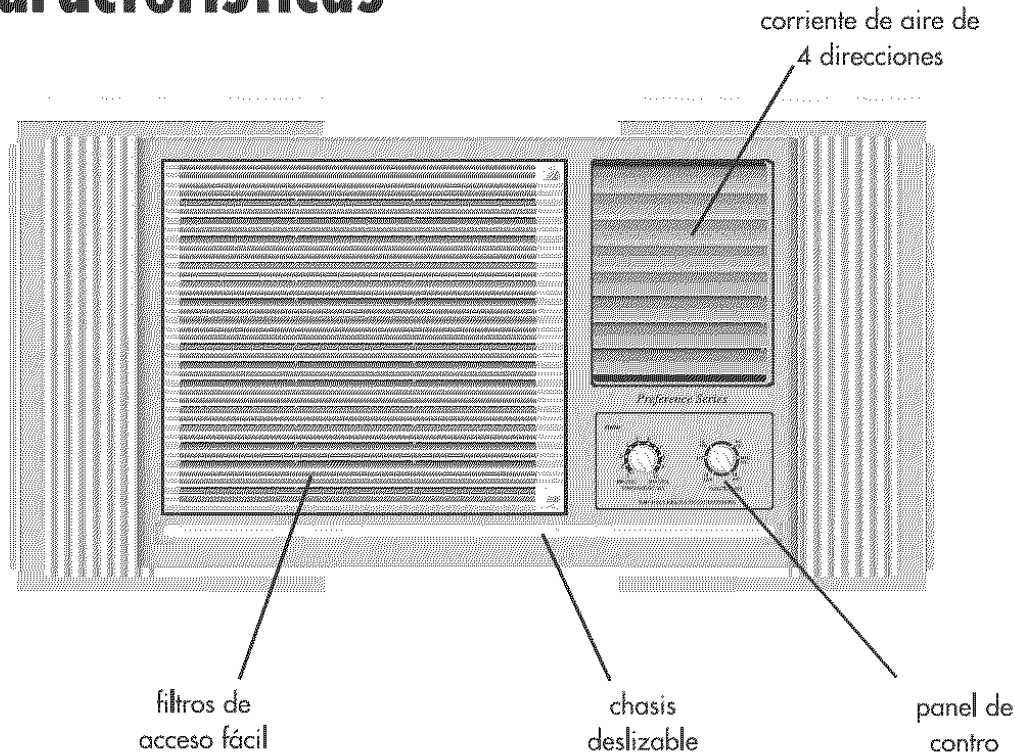
## Sugerencias

- Los acondicionadores de aire están diseñados únicamente para ser usados en ventanas de dos hojas, tipo guillotina, o a través de la pared. (Según el modelo del aparato)
- Al instalar la unidad, asegúrese de que el acondicionador de aire queda inclinado en un 1/4° hacia el exterior de manera que el agua pueda escurrir hacia el exterior de la casa.
- Instale la unidad en el costado norte de la edificación que es normalmente el lado sombreado. En esta forma mejorará la operación de la unidad.
- ⚠ • La ventana debe ser suficientemente fuerte para la instalación del aparato. Puede ser necesario usar soportes o apoyos complementarios según la configuración de su ventana. (corchetes y ayudas no incluidas en todos los modelos)
- Mida la ventana antes de proceder con la instalación. Si la ventana es demasiado grande para la unidad, puede ser necesario que un profesional realice la instalación.
- ⚠ • Use corriente eléctrica de los voltajes y amperajes requeridos para que la unidad funcione en forma eficiente.
- ⚠ • Llame únicamente a electricistas certificados para cualquier modificación que se necesaria en sus receptáculos o tomacorrientes eléctricos.
- Utilice una línea confiable para la operación de su acondicionador de aire para evitar el posibilidad de una oleada eléctrica.

## Guía De Ahorro De Energía

- Al instalar el acondicionador de aire, asegúrese de sellar toda área que presente la posibilidad de filtración de aire.
- La corriente de aire del acondicionador no debe bloquearse dentro de la habitación con cortinas, persianas o muebles, ni en el exterior con arbustos o matas.
- No use innecesariamente luces eléctricas o aparatos que generen calor.
- Mantenga el escape de aire cerrado cuando el acondicionador de aire esté en su función de enfriamiento.
- Mantenga las persianas o cortinas cerradas en todas las demás ventanas.
- Si está cocinando, use un ventilador de extracción en la cocina para remover el exceso de calor producido.
- Use siempre un acondicionador de aire de capacidad (BTU) apropiada para enfriar la habitación y obtener su eficiencia máxima.

# Características



(No todos los modelos tienen las mismas características.)

## 1. Perilla para Fijar la Temperatura

Esta perilla fija la temperatura del aire. A mayor graduación corresponde una temperatura de aire más frío. Con esta perilla usted puede fijar la temperatura del nivel de confort que desea. La graduación Min. Cool - Enfriamiento mínimo - produce la temperatura menos fría y la Max. Cool - Enfriamiento máximo - proporciona la temperatura más fría.

## 2. Perilla para Fijar la Función

Con esta perilla se controla la rapidez de enfriamiento, así como también la velocidad del ventilador. Encontrará 3 posiciones de acondicionamiento de aire, A/C, en esta perilla: LO, hace circular el aire a la velocidad más baja, MED, es el nivel medio y HI, lo hace circular a la más alta velocidad. Para el ventilador, la unidad ofrece 2 velocidades únicamente: HI, velocidad media y LO, velocidad baja.

## 3. Abertura de Escape de Aire (No en todos los modelos.)

Esta característica le permite la salida de aire indeseable de la habitación y la entrada de aire fresco. Para hacer circular el aire mueva la palanca a la posición de abertura. (la palanca se debe cerrar para evitar la pérdida de aire fresco al exterior.)

## 4. Corriente de Aire de 4 Direcciones

Estas persianas direccionales para el aire le permiten controlar la dirección de la corriente de aire en la forma que usted la desee. La corriente de aire puede dirigirse: hacia arriba - hacia abajo - hacia la derecha o hacia la izquierda.

## 5. Chasis para Deslizar la Unidad (No en todos los modelos.)

El acondicionador de aire con esta característica es de mayor versatilidad. Usted tiene la opción de instalar la unidad en una ventana o en una pared.

## 6. Juego de Instalación en Ventana

Estos elementos le permiten instalar el acondicionador de aire en una ventana de tipo guillotina. Puede ser necesario el uso de apoyos o soportes adicionales, según la configuración de su ventana.

# Guía de Operación

## Sonidos de Operación Normal

Los siguientes sonidos normalmente se oyen durante la operación de un acondicionador de aire.

- Clics del termostato. Este sonido se oye cuando el termostato pasa de un ciclo a otro.
- Sonido del movimiento de aire según la velocidad generada por el ventilador.
- Sonidos de agua. Este es un sonido normal en el acondicionador de aire, a medida que actúa también como extractor de humedad. Por lo tanto, se oye el ruido de gotas de agua cuando escurren sobre el condensador.
- A medida que el refrigerante fluye a través de la tubería sellada, se puede oír el ruido de este flujo.
- Ruidos o vibraciones pueden en ocasiones oírse debido a una instalación defectuosa en la pared o en la ventana.
- Un sonido de alta frecuencia puede oírse como producto del funcionamiento de compresor.

## Instrucciones de Operación

(Vea Fig. #1)

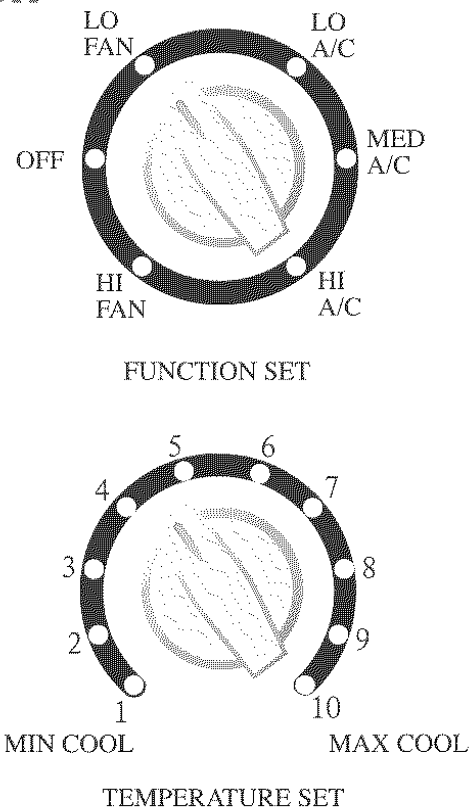


fig. # 1



Una vez instalado el acondicionador de aire, enchúfelo en un receptáculo eléctrico de pared apropiado.

- 1) Ponga la perilla de Function Set - Selección de Función - en la posición MED A/C.
- 2) Ponga la perilla de selección de temperatura en la posición de nivel medio. En este punto el acondicionador de aire principiará a funcionar.
- 3) Puede fijar el termostato desde MIN COOL hasta MAX COOL. MIN COOL indica la temperatura menos fría y MAX COOL la de mayor enfriamiento.
- 4) Su acondicionador de aire tiene 1 o 2 velocidades del ventilador y, dependiendo de su modelo comprado, 3 configuraciones de A/c
- 5) Si el acondicionador de aire cuenta con una abertura de control de escape de aire, verifique que esté cerrada. Déjela abierta únicamente en caso de que desee recircular el aire viciado de la habitación. Al cerrarla se retiene el aire frío dentro de la habitación.
- 6) Deje que el acondicionador de aire funcione así por algunos minutos antes de ajustar a las configuraciones deseadas.
- 7) **Recuerde** que el compresor de su acondicionador de aire no trabaja cuando la temperatura está por debajo de los 65°F (18°C).
- 8) Una vez que apaga el acondicionador de aire, espere 3 minutos si desea encenderlo nuevamente. Esta es la duración del ciclo del compresor.
- 9) Si tiene dificultad en operar el acondicionador de aire, por favor, consulte la sección de Resolución de Problemas.

# Instalaciones

Antes de instalar el acondicionador de aire, cercirese de que:

- 1) La unidad queda libre de obstrucciones, tanto en el interior de la habitacin como afuera, tales como cortinas, muebles, plantas, arbustos, rboles y otras estructuras como construcciones, garajes, etc. El acondicionador de aire debe tener una corriente de aire, libre de obstrucciones, que pase a travs del condensador para remover el calor.
- 2) La ventana es suficientemente fuerte para resistir el peso del acondicionador de aire. Segn la configuracin de su ventana, puede ser necesario instalar apoyos o soportes complementarios (corchetes y ayudas no incluidas en todos los modelos).
- 3) El umbral o repisa de la ventana y las canaletas laterales son suficientemente fuertes para resistir el peso del acondicionador de aire.
- 4) La pared es suficientemente fuerte para sostener la unidad. Segn las condiciones de la pared, puede ser necesario instalar apoyos o soportes complementarios. (corchetes y ayudas no incluidas en todos los modelos)
- 5) Hay un suministro adecuado de corriente elctrica de las especificaciones requeridas cerca del acondicionador de aire.



6) NO use adaptadores de enchufe.



7) NO use cables de extensin.



8) NO corte o remueva la clavija de conexin de tierra del enchufe.



9) NO modifique en ninguna forma el enchufe o el receptculo elctrico de la pared. Si el enchufe no concuerda con el receptculo elctrico, pide a un electricista que haga los cambios necesarios.



10) NO conecte la unidad a la corriente elctrica antes de instalarla

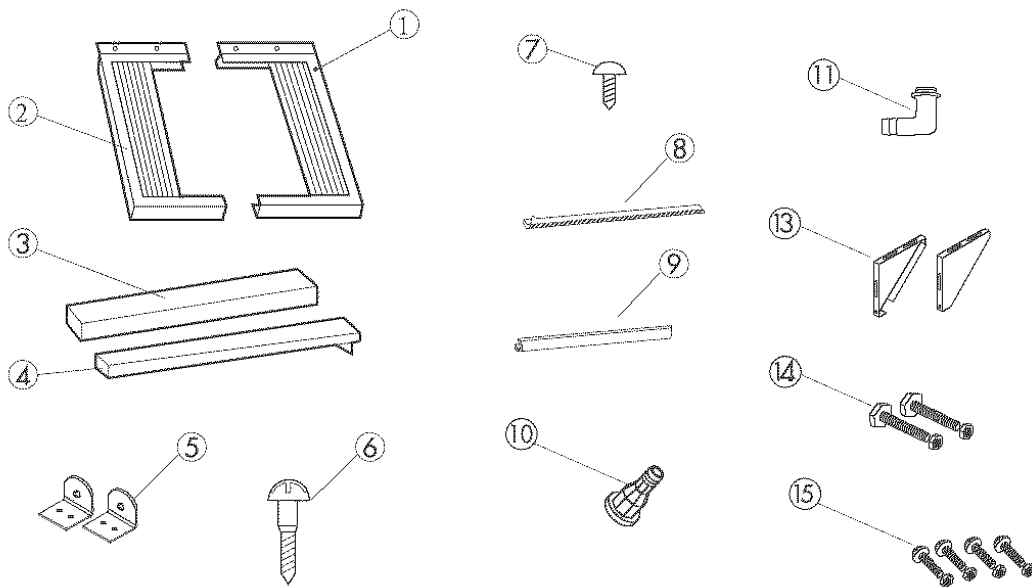


11) NO use el cable de alimentacin si se nota gastado o daado en alguna forma. Evite usarlo si tiene grietas o muestra daos de desgaste a lo largo del cable, en el enchufe o en la conexin.

12) No instale en ninguna cabina o funda existente que no tengan salidas de aire laterales y superiores.

**Piezas que se Suministran** (Vea Fig. # 2)

No.	Descripción de la Pieza	Modelo			
		HWA05XCA HWF05XCA HWS05XCA HWS06XCA HWF07XCA HWF05XCB	HWS08XCA	HWS10XCA HWS12XCA	HWS14XCA HWS18VCA HWS20VCA
1	Ensamble de la persiana de montaje derecha	1	1	1	1
2	Ensamble de la persiana de montaje izquierda	1	1	1	1
3	Sello de espuma de caucho de la hoja de la ventana	1	1	1	1
4	Cinta adhesiva de sellado de la hoja	1	1	1	1
5	Ángulo bajo de la cacerola	2	2	2	2
6	Tornillos de 5/8"	9	9	9	9
7	Tornillos de 3/8"	6	9	9	12
8	Banda de sellado del riel de montaje superior	instalado	1	1	1
9	Riel de montaje superior	instalado	1	1	1
10	Drene el tubo del agua			1	
11	Codo de salida de agua		1		
12	Riel de montaje inferior	instalado	instalado	instalado	instalado
13	Corchete de la instalación		2	2	2
14	2 1/2" Perno y tuerca de fijación		2	2	2
15	19/32" Tornillo y tuerca de fijación		4	4	4



## Herramientas

Para la instalación del acondicionador de aire necesitará las siguientes herramientas.

- Tijeras
- Destornillador Philips
- Destornillador Estándar
- Alicates
- Llave de Tuercas
- Taladro y Juego de Brocas
- Cinta para Medir
- Guantes
- Nivel
- Casquillos

## Procedimiento de Instalación

Lea todas las instrucciones antes de proceder a la instalación.

Hay dos clases de instalaciones:

- a) En una ventana de tipo guillotina
- b) En la pared

Busque la mejor ubicación para instalar el acondicionador de aire. El acondicionador de aire debe instalarse sobre una base firme y nivelada. Esto reducirá la vibración y es importante por razones de seguridad. Recuerde que debe contar con un receptáculo eléctrico de pared apropiado cerca de la ubicación del acondicionador de aire. Puede necesitar apoyo o soporte adicional para instalar la unidad. (corchetes y ayudas no incluidas en todos los modelos.

### **Instalación de ventana:** Chasis Fijo

Si el acondicionador de aire es una unidad fija, tal unidad está diseñada para ser instalada en ventana únicamente.

1) Inserte los elementos superior e inferior de la persiana de montaje en los rieles previstos en la unidad del acondicionador de aire. Repita este procedimiento en el lado opuesto. (Vea fig. #3)

2) Fije la persiana flexible en el costado del gabinete del acondicionador de aire usando (3) tornillos para metal de 3/8". Necesitará un destornillador Philips para esta operación. Repita esta misma operación en el lado opuesto. Una vez que ha fijado las persianas en ambos lados, está listo para instalar la unidad en la ventana. (Vea fig. #3)

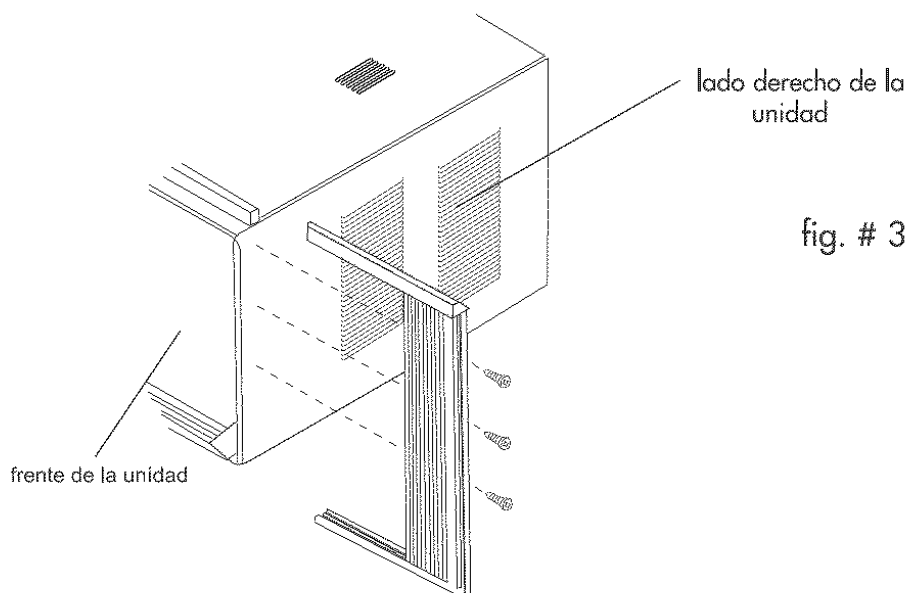


fig. # 3

3) Mida la hoja de la ventana y corte la cinta adhesiva para el sellado de la hoja del largo de la ventana. Remueva la película de sello del respaldo de la cinta y adhiérela al borde inferior de la hoja de la ventana. (Vea fig. #4)

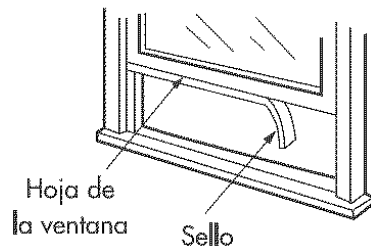
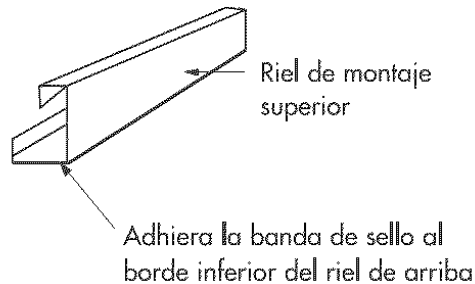


fig. # 4



**!** PRECAUCION: Levante siempre el acondicionador de aire con 2 personas.

4) Levante cuidadosamente y coloque el acondicionador de aire en el centro del marco de la ventana. Cerciérese de que el riel inferior queda colocado detrás del umbral. Cuando baje la ventana, la hoja de la ventana debe quedar colocada firmemente detrás del riel de montaje superior. Puede ser necesario remover la ventana de tormenta si ésta queda bloqueando la unidad.

5) Recuerde que la unidad debe quedar inclinada 1/4" (6 mm) hacia afuera. Este declive permitirá que el exceso de agua resultante de la extracción de humedad del aire drene hacia afuera de la habitación. Use un nivel para asegurar que instala la unidad con el ángulo apropiado. (Vea fig. #5)

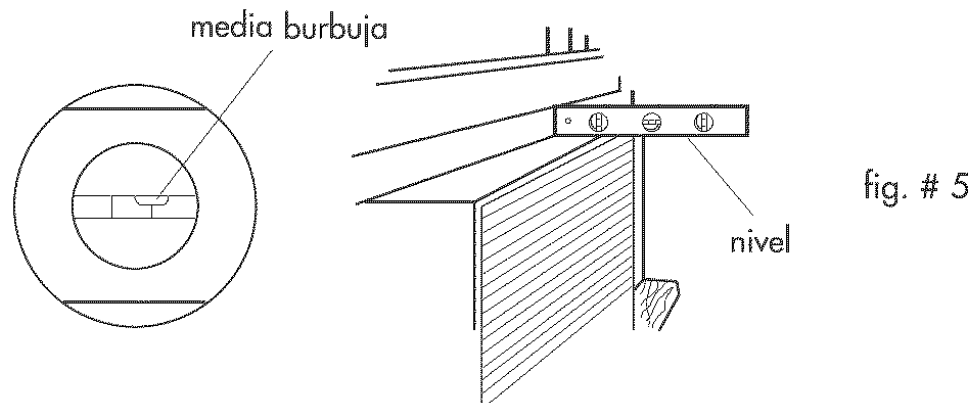


fig. # 5

6) Ahora, extienda las persianas laterales hasta que lleguen al marco lateral de la ventana. Coloque (1) tornillo de 5/8" en cada lado para fijar las persianas en su lugar. Use tornillos adicionales si es necesario. (Vea fig. #6)

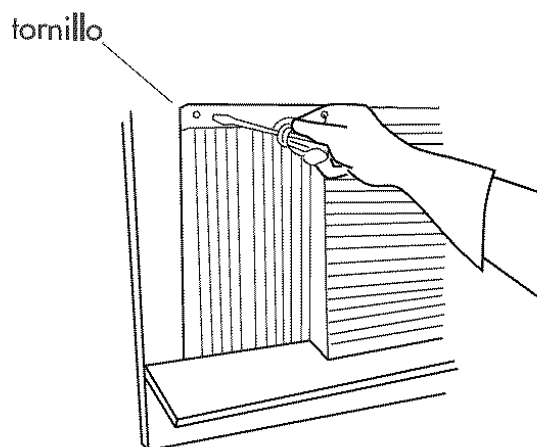


fig. # 6

7) Mida y corte el sello de espuma de caucho de la hoja de la ventana, para sellar rendijas entre la hoja superior y la hoja inferior de la ventana. Este sello impide la entrada de insectos o de aire caliente a la habitación. (Vea fig. #7)

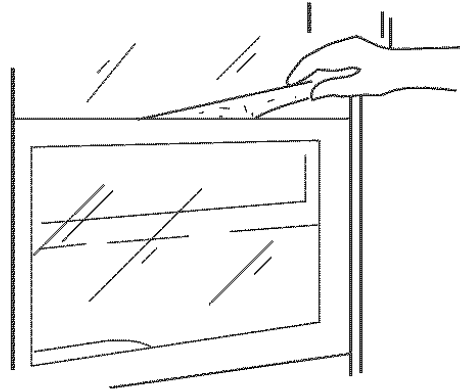


fig. # 7

8) Afloje el tornillo que lleva a cabo el frente plástico usando varias vueltas. Deslice el ángulo bajo de la cacerola sobre la cabeza de tornillo. Apriete los tornillos con el ángulo basepan que se reclina sobre la repisa de la ventana. Para asegurar el ángulo basepan de la repisa de la ventana, utilice dos 5/8po. los tornillos. Relance el proceso para el s opuesto. (Vea fig. 8)

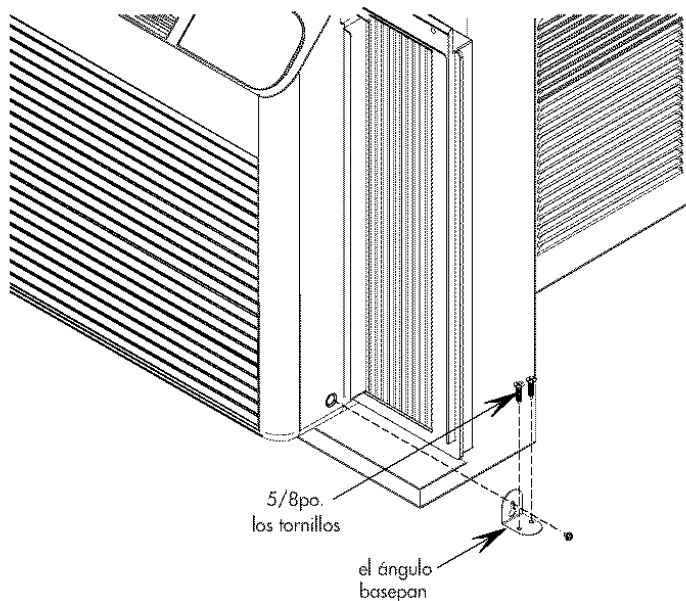


fig. # 8

**⚠ PRECAUCION:** Si al terminar estas operaciones, la unidad parece haber quedado suelta o si usted no está seguro de que ha quedado instalada apropiadamente, póngase en contacto con un instalador calificado.



## Instalaciones de Ventana: Unidad de Chasis Deslizable

Nota: Quite los 2 tornillos de transportación de la parte posterior del acondicionador de aire que sostienen el bastidor a la cubierta exterior. Una vez que los quite, no tendrá que instalarlos de nuevo. Si el acondicionador de aire es del tipo de chasis deslizable en el cual el mecanismo interior del aparato se puede sacar del gabinete o cubierta, siga las instrucciones descritas a continuación para preparar la unidad para su instalación. (no incluidas en todos los modelos)

1) Si usted ha comprado un modelo superior de la descarga quite los 2 tornillos laterales que sostienen la parrilla encendido a la cubierta o a la cabina. Para todos los otros modelos usted también tendrá que quitar el filtro para quitar el tornillo que está ubicado detrás de él. (Vea fig. #10)

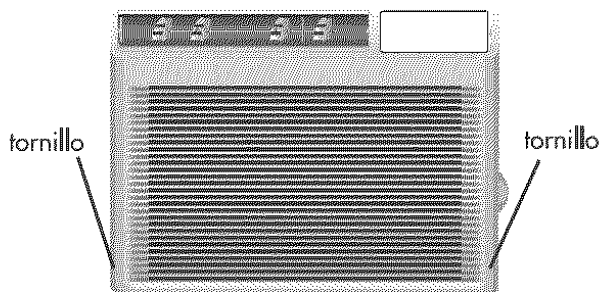


fig. # 9

descarga superior

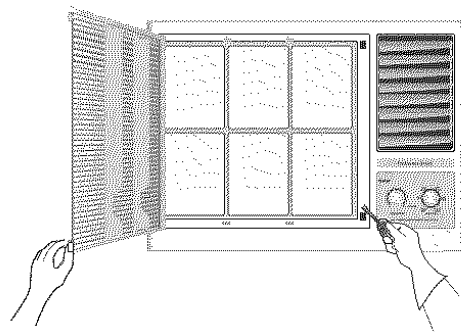


fig. # 10

descarga lateral

2) Cuidadosamente aplique presión hacia afuera, presionando con la mano hacia la derecha (cuando esté de frente a la unidad). Esto permitirá que se suelte la lengüeta en la rejilla de frente de su enganche en el lado derecho del gabinete. Puede necesitar un destornillador de hoja plana para realizar esta operación.

3) Ponga la mano sobre el lado derecho dentro de la rejilla y ejerza presión hacia arriba para soltar la lengüeta superior de la rejilla de su enganche en el gabinete. Use un destornillador de hoja plana regular, si es necesario.

4) Repita estos procedimientos en el lado izquierdo del marco. Luego levante el marco y sáquelo del gabinete.

- 5) Remueva el tornillo de seguridad que sujeta el chasis al gabinete.
- 6) Deslice el chasis sacándolo del gabinete, utilizando la manija en la base.
- 7) Mida la hoja de la ventana y corte un segmento de la cinta adhesiva del largo de la ventana. Remueva la película del respaldo y adhiera la cinta al borde inferior de la hoja de la ventana. (Vea fig. #4)
- 8) Pele la película del respaldo de la banda de sellado del riel de montaje superior y fíjela en la base del riel de montaje superior. Instale el riel de montaje superior sobre el gabinete, usando (3) tornillos de 5/8" que vienen incluidos. El borde plano del riel de montaje superior debe quedar mirando hacia adelante. (Los modelos de descarga por arriba tienen el riel de montaje superior ya instalado.)
- 9) Ahora, instale en el gabinete las persianas de montaje izquierda y derecha usando (6) tornillos de 3/8" (3 a cada lado), que vienen incluidos. (Vea fig. #2 y #3)
- 10) Instale el tubo o el codo del dren (no en todos los modelos) Ajuste la dirección del tubo del dren (codo del dren) para hacer que está en línea con el agujero en la parte posterior de la unidad. Inserte el tubo del dren (codo del dren) en el agujero y tuerza. (Vea fig. # 11)

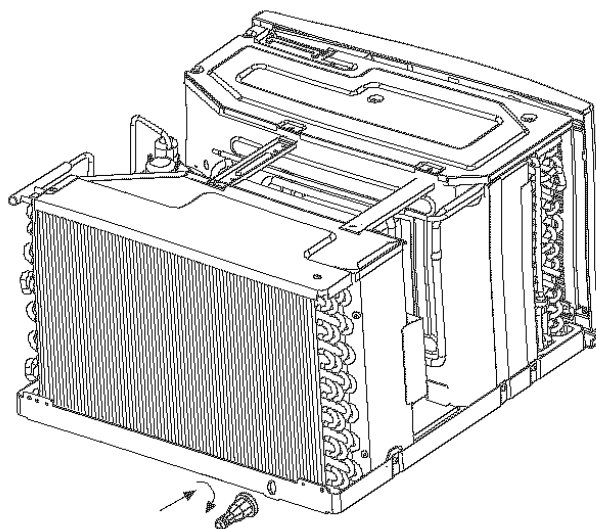


fig. # 11

11) Instale el gabinete vacío en la ventana siguiendo los procedimientos descritos en los pasos 4 a 8 de la sección "**Instalación en Ventana: Chasis Fijo**".

12) Instale los corchetes izquierdos y derechos de la instalación (no en todos los modelos) y, según lo mostrado en la figura, instale el perno (2 1/2 " de largo perno y tuerca de fijación principales planos) al corchete de la instalación y ajústelos a la longitud apropiada. Entonces, utilice 4-19/32 " los tornillos para fijar los corchetes en el caso. (Vea fig. # 12)

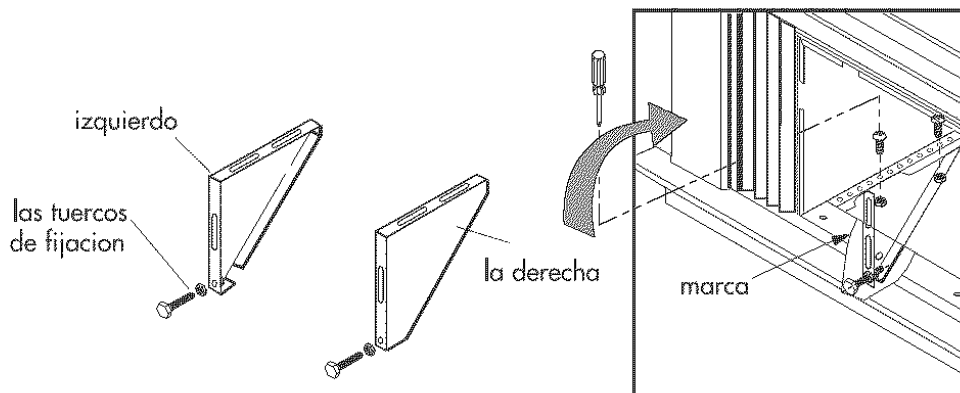


fig. # 12

13) Con la ayuda de otra persona, levante el chasis y deslícelo en el gabinete que ha instalado en la ventana. Puede ser necesario instalar apoyos o soportes adicionales para completar la instalación.

14) Coloque el tornillo de seguridad que sujeta el chasis dentro del gabinete.

15) Coloque la rejilla del frente, fijándola con tornillos al chasis.

16) Instale el ángulo bajo de la cacerola. (Vea fig. # 8)

17) Atornille los dos tornillos laterales que sostienen la parrilla a la cubierta.



**PRECAUCION:** Si una vez terminadas estas operaciones la unidad parece quedar floja o si usted duda que la unidad ha quedado apropiadamente instalada, póngase en contacto con un instalador calificado.

## Instalaciones de Pared: de chasis deslizante únicamente

Nota: Quite los 2 tornillos de transportación de la parte posterior del acondicionador de aire que sostienen el bastidor a la cubierta exterior. Una vez que los quite, no tendrá que instalarlos de nuevo.

Para asegurar que el acondicionador de aire queda apropiadamente instalado en la pared, se recomienda que la instalación sea hecha por un instalador certificado con experiencia en instalaciones a través de la pared.

1) Usando madera de 1" (2,54 cm) por lo menos de espesor, construya un marco de las dimensiones del gabinete de la unidad que ha comprado.

2) Mida las dimensiones exteriores del ancho y altura del marco para determinar las dimensiones necesarias para la abertura en la pared.

La profundidad del marco dependerá del grueso de la pared.

El marco terminado deberá ahora colocarse dentro de la pared.

El marco deberá quedar cuadrado y nivelado.

Recuerde que el marco debe fijarse en forma segura por medio de puntillas a los montantes de la pared. (Vea fig. #13)

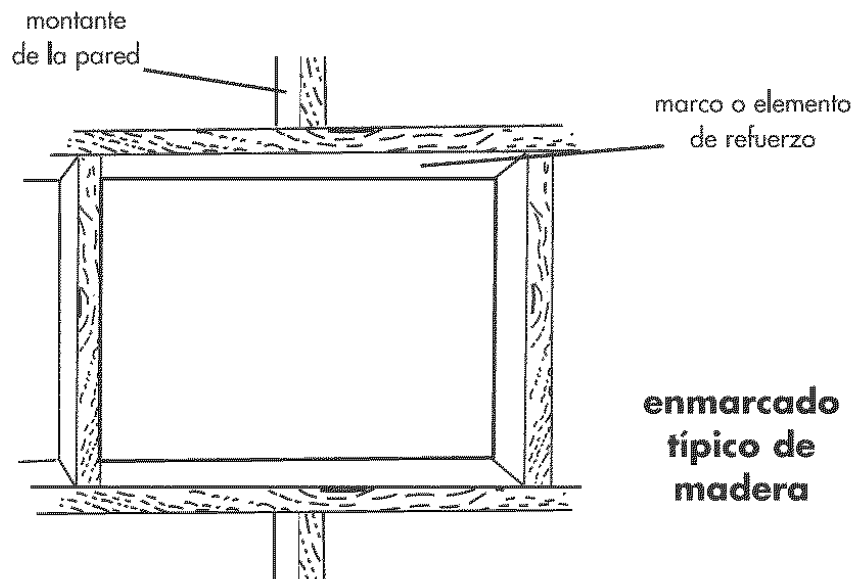


fig. # 13

**enmarcado  
típico de  
madera**

3) Ahora, para instalar la unidad, introduzca el gabinete en la abertura de la pared. (Pero, remueva antes el chasis siguiendo los pasos 1 a 6 descritos en la sección Chasis Deslizante) Verifique que el gabinete queda por lo menos 1/2" (1, 2 cm) dentro de la habitación. También verifique que las persianas laterales no quedan bloqueadas. Esto, para que exista circulación de aire apropiada a través y alrededor del compresor. (Vea fig. #14)

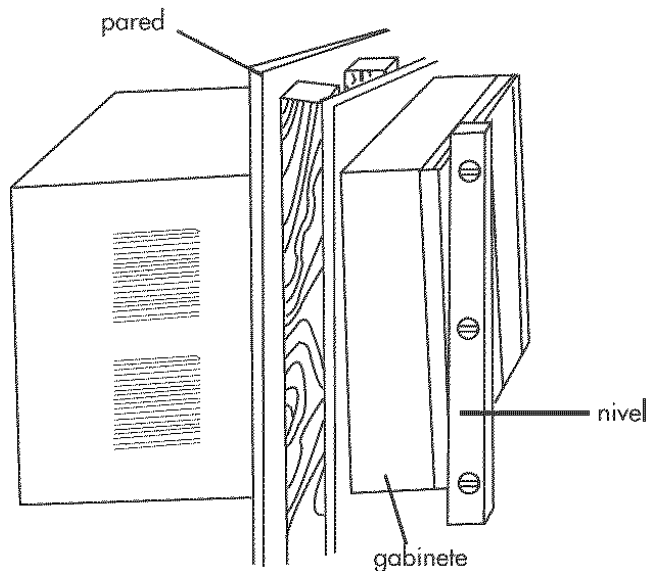


fig. # 14

**inclinación  
típica del  
gabinete  
hacia afuera**

- 4) El gabinete debe inclinarse hacia afuera 1/4" (6mm) de manera que haya drenaje hacia afuera para la condensación de la humedad que se extrae del aire.
- 5) Instale aislación en forma apropiada en cualquier rendija que pueda quedar entre el gabinete y el marco.
- 6) Utilice las perforaciones para tornillos en los costados de la unidad, que han sido diseñados para el juego de montaje, y las perforaciones en el juego de montaje del riel superior, fije el gabinete al marco de madera, usando los tornillos de 5/8 pulgada.
- 7) Con la ayuda de otra persona levante y ponga el chasis del acondicionador de aire en el gabinete.
- 8) Coloque el tornillo de seguridad donde corresponde y presione la rejilla en su lugar.
- 9) Si durante el proceso tuvo que remover el filtro, vuelva a colocarlo.
- 10) Atornille los dos tornillos laterales que sostienen la parrilla a la cubierta.

**⚠ PRECAUCION:** Si una vez terminadas estas operaciones la unidad parece quedar floja o si usted duda que la unidad ha quedado apropiadamente instalada, póngase en contacto con un instalador calificado.

# Guía para el Cuidado y Limpieza del Aparato



fig. # 15

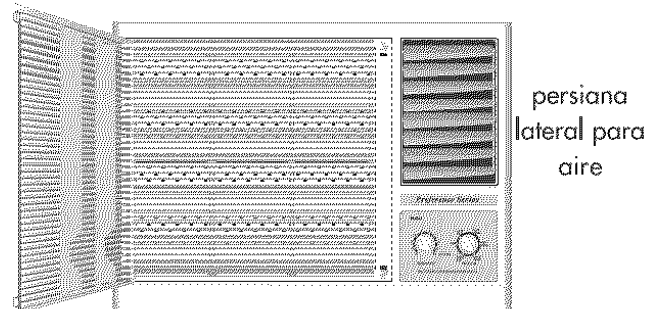


fig. # 16

- Siempre desenchufe el acondicionador de aire antes de limpiarlo.
- El filtro de aire se debe limpiar por lo menos una vez por mes para que la unidad opere con máxima eficiencia. El filtro puede sacarse deslizándolo por el lado tirando de la lengüeta ubicada en la mitad del lado derecho de la cubierta del frente. (Vea fig. #15) O también, se puede llegar al filtro presionando las lengüetas de arriba y abajo que se encuentran en el lado derecho de la cubierta del frente. (Vea fig. #16) El filtro puede lavarse o limpiarse con una aspiradora de aire. Remueva, después de lavarlo, el acceso de agua que quede en el filtro, sacudiéndolo suavemente. En esta forma se podrán remover las partículas y el polvo que hayan quedado atrapados en el filtro. Una vez limpio reinstale el filtro. **NO USE** el acondicionador de aire sin el filtro colocado en su lugar.
- Para limpiar los paneles de frente o el gabinete **NO USE** sustancias químicas fuertes, abrasivos, amoníaco, cloro, blanqueadores, detergentes concentrados, solventes o almohadillas metálicas para refregar. Algunas de estas sustancias químicas pueden afectar, dañar o descolorar el acondicionador de aire.
- Use siempre un paño suave, humedecido en una solución de jabón suave mezclado con agua para limpiar el frente del gabinete. Séquelo con un paño suave.

- Para guardar el acondicionador de aire, después de la temporada, saque la unidad de la ventana como se indica en la Guía de Instalación. Vuelva a empacar la unidad en su caja original y almacénela. Si su unidad está instalada en la pared y usted no desea quitarla de la ventana, cubra el exterior de la unidad con una cubierta de invierno. Esta cubierta puede comprarse del distribuidor donde compró el acondicionador de aire o puede obtenerse en una tienda local de ferretería.
- Antes de guardar la unidad, cerciórese de que no ha quedado agua en la bandeja. El agua que pueda quedar en la bandeja puede producir oxidación o daños en las conexiones eléctricas.

## Resolución de Problemas

### **Si el acondicionador de aire no funciona:**

- Verifique que la unidad está enchufada. El enchufe puede estar suelto.
- Verifique que el receptáculo eléctrico de pared es del voltaje apropiado.
- Verifique si el interruptor de circuito debe cerrarse o si el fusible debe reemplazarse.
- Verifique si la unidad está en modalidad "Off" - apagada.
- El control del ventilador puede estar en posición Off - apagado.

### **El aire que sale del acondicionador de aire está caliente.**

- La graduación A/C puede estar baja y es necesario aumentarla.
- La temperatura exterior puede estar por debajo de 65°F (18°C). El compresor no opera si la temperatura está por debajo de 65°F (18°C).

### **Se forma hielo en el serpentín de enfriamiento.**

- La temperatura exterior está demasiado baja. Ponga a funcionar únicamente el ventilador para derretir el hielo.
- Baje la graduación de temperatura. La graduación de temperatura se ha puesto a un nivel demasiado frío.
- La capacidad de la unidad (BTU) puede ser demasiado alta para las condiciones de la habitación.

**El acondicionador de aire funciona pero la habitación no se enfría.**

- Puede haber artefactos en la habitación que producen calor. Use un ventilador de extracción para remover el exceso de calor.
- El escape de aire puede estar abierto. Este escape debe cerrarse para obtener el enfriamiento óptimo.
- Cambie la dirección del flujo de aire y remueva obstáculos que estén en su trayectoria.
- Todas las puertas y ventanas deben estar cerradas de manera que el aire frío no se escape de la habitación.
- Los filtros de aire pueden necesitar limpieza.
- La capacidad de la unidad en BTU puede ser muy baja para las condiciones de la habitación.
- En días extremadamente cálidos y húmedos, los acondicionadores de aire pueden demorar un poco para principiar a enfriar.

**El acondicionador de aire hace ruido cuando enfría:**

Usted puede oír ruidos de movimiento de aire, agua, el arranque y parada del compresor y vibraciones en la ventana. Lea la Guía de Operación, - Ruidos de Operación Normal.

**Hay agua en el gabinete del acondicionador de aire:**

Esto es normal, pues el acondicionador de aire no solamente enfría sino que también extrae la humedad del aire. Si encuentra que hay agua escurriendo dentro de la habitación, revise la instalación de la unidad. La unidad puede requerir una reinstalación. Incline la unidad 1/4" (6 mm) hacia afuera para proporcionar drenaje al exceso de agua que la unidad produce.



## **Garantía Limitada**

**Esta garantía cubre todos los defectos en mano de obra o materiales para:**

1. Las partes mecánicas y eléctricas que integran este producto Haier (incluyendo los costos de mano de obra), por un período de 12 meses a partir de la fecha de compra de la unidad. (En casos de uso comercial o de alquiler, la garantía es por 90 días).

2. El sistema sellado y el compresor incluido en este producto Haier están garantizados por un período de 5 años a partir de la fecha de compra de la unidad (excluyendo los costos de mano de obra después de un período inicial de 12 meses). En casos de uso comercial o de alquiler, la garantía limitada adicional del compresor es por un año y nueve meses (excluyendo los costos de mano de obra después de un período inicial de 90 días).

**Usted debe guardar y deberá presentar su recibo original de compra como prueba de la fecha de adquisición.**

### **¿Quiénes están cubiertos?**

Los compradores originales, al por menor, de este producto Haier.

### **¿Qué deberá hacerse?**

Haier reparará o reemplazará, en su domicilio, cualquier parte eléctrica, mecánica o el compresor que resulten defectuosos en uso normal doméstico, por un período de 12 meses. Haier reparará o reemplazará (excluyendo los costos de mano de obra) el sistema sellado y el compresor (las partes únicamente) por un período adicional de 4 años.

### **¿Cómo puede usted obtener servicio?**

1. Póngase en contacto con el Centro de Servicio Autorizado de Haier. Para obtener el nombre del Centro de Servicio

más cercano, llame a Haier al (877) 337-3639.

2. Todo servicio debe ser realizado por un Centro de Servicio de Haier debidamente autorizado.

### **ESTA GARANTIA CUBRE UNIDADES EN EL CONTINENTE DE LOS ESTADOS UNIDOS CANADA Y EN PUERTO RICO Y ESTA GARANTIA NO CUBRE**

- Daños por instalación inapropiada.
- Daños en transporte
- Daños debido a mal uso, abuso, accidente, alteración, falta de cuidado o mantenimiento apropiados
- Daños por trabajos realizados por personas que no sean un distribuidor o centro de servicio autorizados
- Adornos de vidrio o bombillos
- Mano de obra, servicio, transporte y costos de transporte para la remoción de partes defectuosas e instalación del reemplazo, después de transcurrido el período inicial de 12 meses

ESTA GARANTIA LIMITADA SE DA EN LUGAR DE CUALQUIER OTRA GARANTIA EXPRESA O IMPLICITA, INCLUYENDO LAS GARANTIAS DE COMERCIALIZACION Y APTITUD PARA UN PROPOSITO EN PARTICULAR.

El remedio que resulta de esta garantía es exclusivo y se otorga en lugar de todo otro remedio. Esta garantía no cubre daños incidentales o consecuenciales. Algunos estados no permiten la exclusión de daños incidentales o consecuenciales, de manera que esta limitación puede ser no aplicable en su caso. Algunos estados no permiten limitaciones en cuanto a la duración de una garantía implícita, de manera que esta limitación puede ser no aplicable en su caso. Esta garantía le otorga derechos legales específicos y usted puede tener otros derechos, los que varían de estado a estado.