

This Owner's Manual is provided and hosted by [Appliance Factory Parts](#).



# Haier CPN10XH9 Owner's Manual

[Shop genuine replacement parts for Haier CPN10XH9](#)

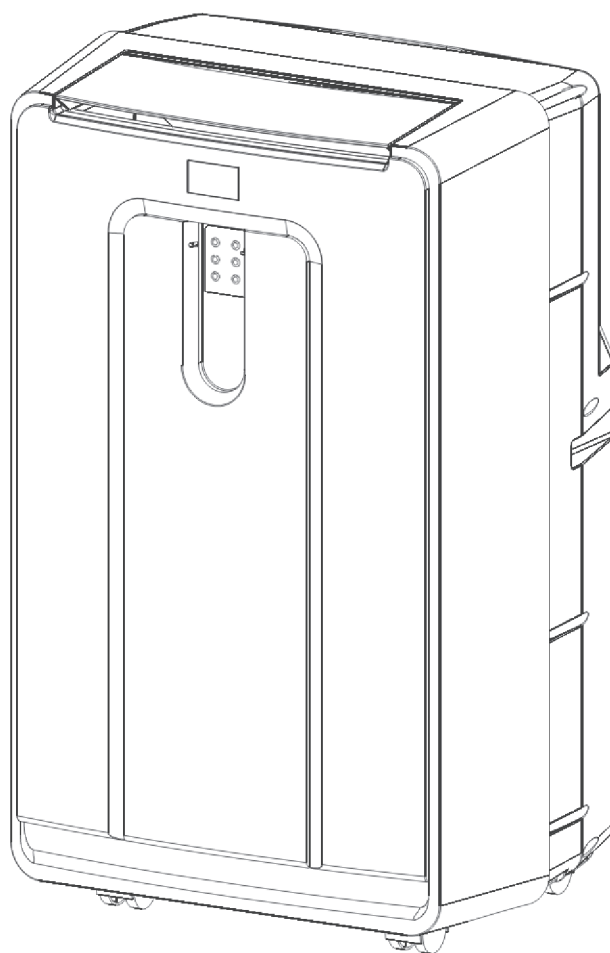


[Find Your Haier Air Conditioner Parts - Select From 735 Models](#)

----- Manual continues below -----



**PORTABLE AIR CONDITIONER**  
**CLIMATISEUR PORTATIF**  
**ACONDICIONADOR DE AIRE PORTATIL**



**User Manual, Guide de l'Utilisateur, Manual del Usuario**

CPN08XC9, CPN10XC9, CPN10XH9, CPN12XC9, CPN12XC9-E, CPN12XH9

Before operating this air conditioner, please read these instructions completely.

# A Word From Haier America

Thank you for buying a dependable, energy saving and easy-to-operate Commercial Cool air conditioner. This manual contains useful information for you to maintain, operate, install and safely use your air conditioner. Your air conditioner cleans, cools and dehumidifies the air in your room to provide you with the ultimate level of comfort.

Please read instructions carefully before using the product. Also, do not forget to fill out and mail the **Product Registration Card**.

## Product Registration

### Record Your Model and Serial Number.

Attach the sales receipt to this guide and keep for future reference. Model and serial number can be obtained from the serial label, which is on your air conditioner. For all your service calls during the warranty period the following information will be needed:

Model Number: .....






Serial Number: .....

Date of Purchase: .....

Dealer's Name: .....

Dealer's Address: .....

Dealer's Phone Number: .....

TABLE					
RECEPTACLE AND FUSE TYPES					
RATED VOLTS	125/60		250/60		
AMPS	15	20	15	20	30
WALL OUTLET					
FUSE SIZE	15	20	15	20	30
TIME DELAY FUSE (or circuit breaker)	Plug	Plug	Plug	Plug	Plug

# SAFETY PRECAUTIONS

**WARNING:** Following these basic precautions will reduce the risk of fire, electrical shock, injury or death when using your air conditioner.



- ⚠ 1) Air conditioner must be connected to proper electrical outlet with the correct electrical supply. (see table previous page)
- ⚠ 2) Proper grounding must be ensured to reduce the risk of shock and fire. **DO NOT CUT OR REMOVE THE GROUNDING PRONG.** If you do not have a three-prong electric receptacle outlet in the wall, have a certified electrician install the proper receptacle. The wall receptacle **MUST** be properly grounded.
- ⚠ 3) Do not operate air conditioner if power cord is frayed or otherwise damaged. Avoid using it if there are cracks or abrasion damage along the length, plug connector or if the unit malfunctions or is damaged in any manner. Contact an authorized service technician for examination, repairs or adjustments.
- ⚠ 4) **DO NOT USE AN ADAPTER OR AN EXTENSION CORD.**
  - 5) Do not block airflow around the air conditioner. The exhaust hose should be free of any obstructions.
  - 6) Always unplug the air conditioner before servicing it or moving it.
  - 7) Do not install or use the air conditioner in any area where the atmosphere contains combustible gases or where the atmosphere is oily or sulphurous. Avoid any chemicals coming in contact with your air conditioner.
  - 8) Do not place any object on the top of the unit.
  - 9) Never operate the air conditioner without the filters in place.
  - 10) Do not use the air conditioner near a bathtub, shower or wash basin.

## SAVE THESE INSTRUCTIONS

# Important Instructions

- Please keep this manual in a safe place.
- Do not use liquid or a spray to clean this product. Use a damp cloth.
- Do not place the product on an unstable surface or elevated place as it may fall and cause damage or injury.
- Never spill liquid on the control panel; it may cause electrical shock to the electronic parts inside and disable them or cause them to function improperly.
- Never try to dismantle the product by yourself. Unsupervised dismantling and incorrect reassembly of the inside of the back cover may damage the electrical circuit and affect its performance. When maintenance is required, please contact the local service center or local distributor.

Thank you for purchasing our Commercial Cool product. Please read this manual carefully before operating and store for future reference.

Staple your receipt to your manual. You will need it to obtain warranty service.

\_\_\_\_\_  
*Model number*

\_\_\_\_\_  
*Serial number*

\_\_\_\_\_  
*Date of purchase*

# Table Of Contents

	<b>Page</b>
<b>A Word From Haier America</b> .....	<b>1</b>
<b>Product Registration</b> .....	<b>1</b>
<b>Safety Precautions</b> .....	<b>2</b>
<b>Important Instructions</b> .....	<b>3</b>
<b>Advantages</b> .....	<b>4</b>
<b>Assembly and Installation</b> .....	<b>5</b>
<b>Parts and Features</b> .....	<b>5</b>
<b>Operation</b> .....	<b>7-9</b>
<b>Product Specification</b> .....	<b>10</b>
<b>Care and Cleaning</b> .....	<b>11</b>
<b>Storage</b> .....	<b>11</b>
<b>Troubleshooting</b> .....	<b>11</b>
<b>Warranty Information</b> .....	<b>12</b>

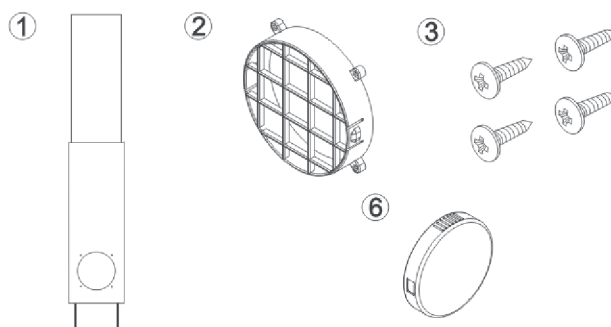
## Advantages of this Model

1. This model is easy to operate. The electronic control panel has a timer, thermostat, three speed cooling speeds, three fan speeds and one speed dehumidification function.
2. This portable air conditioner does not require water to be removed.
3. The unit has a unique design which evaporates the water. Therefore there is no condensation tank and no need to empty a tank overnight.
4. An easy-to-install window kit is included which consists of the exhaust hose, 2 hose nozzles, the window panel kit, exhaust hose connector and cover for the exhaust hose connector.
5. Full directional casters are included to help move the unit as needed.
6. The filter screen is designed for easily accessibility of the filter.
7. Portable air conditioners are easy to store when not in use.

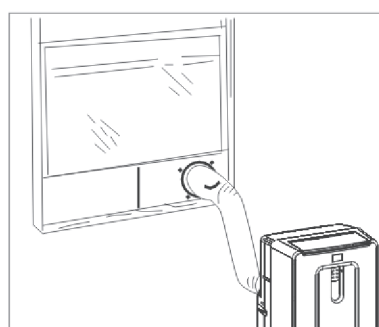
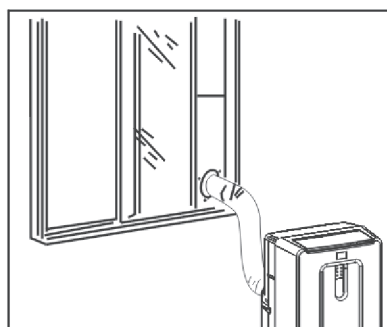
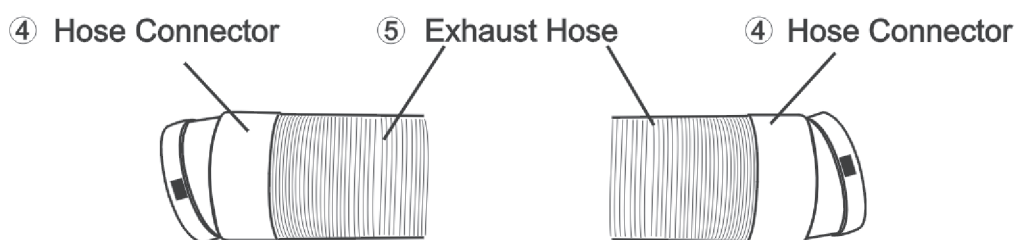
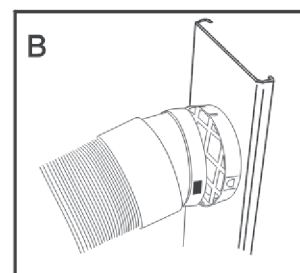
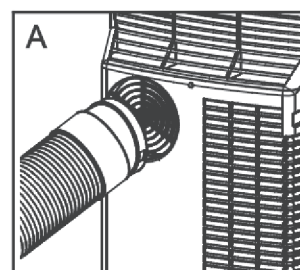
# Assembly and Installation

## Accessories Include

1. Plastic panel - From 20" up to 46" .. 3 Pieces
2. Window Panel Adaptor..... 1 piece
3. Screws..... 4 pieces
4. Exhaust hose connector ..... 2 pieces
5. Exhaust hose ..... 1 piece
6. Cover ..... 1 piece

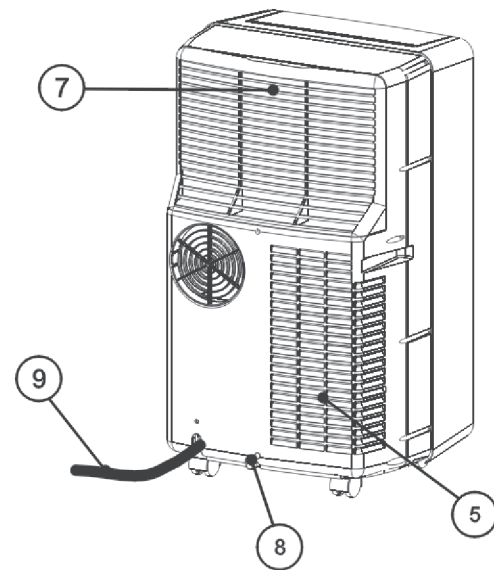
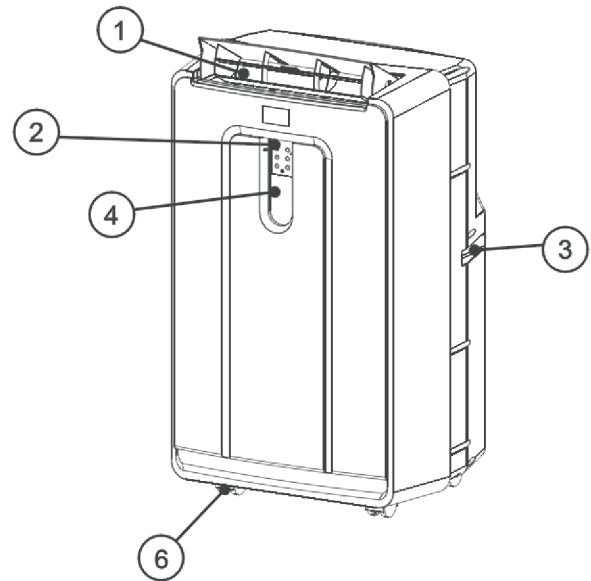


1. Adjust the plastic panel to the width or height of your window and tighten the 2 screws that are attached to the panel.
2. Push the round window panel adaptor through the rear of the plastic panel. Line up the holes and tighten the adapter with 4 screws that are included in the kit. (Tighten screws from the front.)
3. Install the window plastic panel into the window. If necessary use duct tape to better secure the panel.
4. Connect exhaust hose to the unit by inserting the hose connector that is attached to the hose into the exhaust.
5. Move the unit to the window, extend the hose and attach the other end of the hose to the window. Align the tabs on the hose and window panel adapters and fasten them together.
6. Plug into wall outlet to get ready for operation.

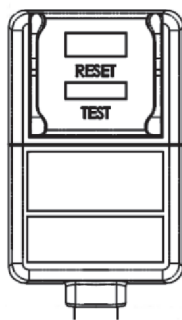


# Parts and Features

1. Air Outlet
2. Control Panel
3. Handle
4. Remote Control Cradle
5. Air Inlet
6. Casters
7. Air Filter
8. Water Outlet Drain
9. Power Supply Cord



## POWER SUPPLY CORD



TEST: WHEN THIS BUTTON IS PRESSED OR WHEN THERE IS A CURRENT LEAK, THE UNIT WILL NOT OPERATE.

RESET: AFTER SOLVING THE PROBLEM, PRESS THE RESET BUTTON TO RESUME OPERATION.

# Operation

**NOTE:** Wait for 24 hours to turn on air conditioner if the unit has been tilted for any reason. This is for the oils and the coolants to settle and level off.

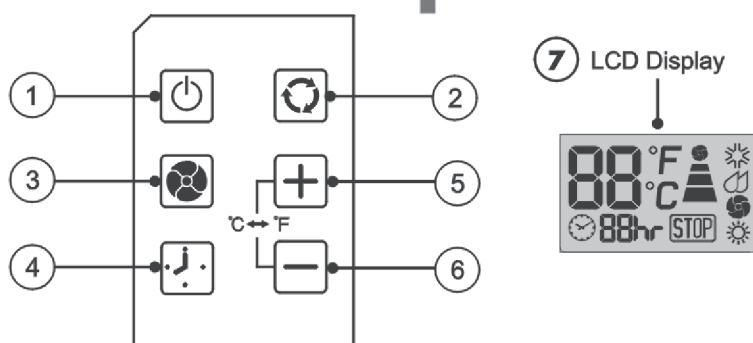
1. After a normal shut down, wait for 3 minutes before restarting the unit so as to complete the compressor cycle.
2. Use an 115v/15amp outlet for the air conditioner. Do not use any other electrical appliances on this line or you may trip the fuse. Use a dedicated line for this air conditioner.
3. Do not place the air conditioner in direct sunlight or close to any heating appliances (ie. baseboard heaters, stoves, etc.)
4. Operate on a flat surface only.
5. Keep the unit free of any obstructions such as drapes, curtains, blinds, etc.
6. Keep unit at least 1 foot away from the wall.
7. Check and clean the filter once every week for highest efficiency.

**NOTE:** Do not use unit without filter.

8. If the unit is not being used for a long period of time, remove the plug from the water drain pipe and drain out any condensed water.

When turning on the unit for the first time after plugging it into an electrical outlet, the unit will start in a low fan cool mode. The temperature reading out on the LCD will be the current room temperature. When turning on the unit during regular usage, it will remember the last setting used. If you want to operate the air conditioner as a dehumidifier, then adjust to dehumidify mode.

# Control Panel Operation




## ① Power On / Off

## ② Mode: Press the mode button for desired setting.

**Cool:**  sign appears in LCD display when in cooling

**Dehumidification:**  sign appears in LCD display when in dehumidification mode.

**Fan:**  sign appears in LCD display when in fan mode.

**Heat:**  sign appears in LCD display when in heat mode. (CPN10XH9 & CPN12XH9 Only)

## ③ Fan Speeds There are 3 adjustable speeds in the cool and fan mode:

Low, Medium and High. In dehumidification mode, and room temperature is greater than 77°F, fan speed can be adjusted; otherwise fan speed is fixed to "low."

## ④ On / Off Timer

**To set the Timer for a 1 to 24-hour delay until the air conditioner turns off:**

1. When you use the timer setting button while the unit is operating, you can preset a time for the unit to turn off.
2. When you use the timer setting button while the unit is on standby, you can present a time for the unit to turn on.
3. If you press the "ON/OFF" button, the preset timer function will be cancelled.
4. Timer setting range is 1~24 hours.

**To clear Timer Delay program:**



**NOTE:** Air conditioner can be either on or off.

1. Press the Timer button.
2. Press and hold the minus button until the timer display has cleared.

**To change the remaining time (in hours):**

1. Press the Timer button.
2. Press the plus or minus button to change the delay time from 1 to 24 hours.
3. The new delay time will display.

## ⑤ ⑥ Setting the Temperature

To set the temperature, press the  or  key to raise or lower the temperature. The temperature can be raised or lowered in the cool mode. The temperature cannot be adjusted in fan or dehumidification mode. Press 5 and 6 simultaneously to switch between °F and °C.

**NOTE:** The temperature can be set between 61°F to 89°F.

## ⑦ LCD Display

When STOP indicator light turns on, the internal water tank has filled with condensed water and the air conditioner will turn off automatically. See "Portable Air Conditioner Care" for directions on draining the air conditioner.

# Remote Control Operation

## ① Power On / Off

## ② Mode

**Cool:**  sign appears in LCD display when in cooling

**Dehumidification:**  sign appears in LCD display when in dehumidification mode.

**Fan:**  sign appears in LCD display when in fan mode.

**Heat:**  sign appears in LCD display when in heat mode. (CPN10XH9 & CPN12XH9 Only)

## ③ Fan Speeds

There are 3 adjustable speeds in the cool and fan mode:

Low, Medium and High. In dehumidification mode, and room temperature is greater than 77°F, fan speed can be adjusted; otherwise fan speed is fixed to "low."

## ④ On / Off Timer

**To set the Timer for a 1 to 24-hour delay until the air conditioner turns off:**

1. When you use the timer setting button while the unit is operating, you can preset a time for the unit to turn off.
2. When you use the timer setting button while the unit is on standby, you can present a time for the unit to turn on.
3. If you press the "ON/OFF" button, the preset timer function will be cancelled.
4. Timer setting range is 1~24 hours.

**To clear Timer Delay program:**

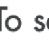

**NOTE:** Air conditioner can be either on or off.

1. Press the Timer button.
2. Press and hold the minus button until the timer display has cleared.

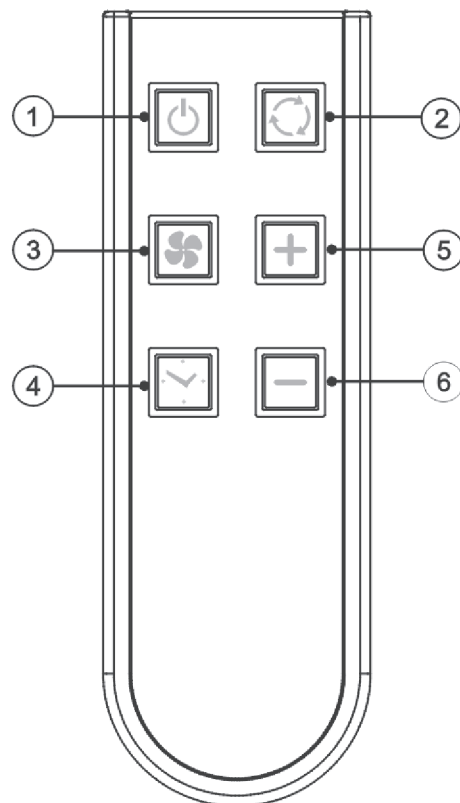
**To change the remaining time (in hours):**

1. Press the Timer button.
2. Press the plus or minus button to change the delay time from 1 to 24 hours.
3. The new delay time will display.

## ⑤ ⑥ Setting the Temperature

To set the temperature, press the  or  key to raise or lower the temperature. The temperature can be raised or lowered in the cool mode. The temperature cannot be adjusted in fan or dehumidification mode.

**NOTE:** The temperature can be set between 61°F to 89°F.



# Product Specification

Model	CPN08XC9	CPN10XC9	CPN10XH9	CPN12XC9 CPN12XC9-E	CPN12XH9
Voltage and Frequency	115V/60Hz				
Input Power	800W	950W	900W COOL 950W HEAT	1200W	1200W COOL 1180W HEAT
Cooling Capacity	8000BTU	10000BTU	10000BTU COOL 9000BTU HEAT	12000BTU	12000BTU COOL 11000BTU HEAT
Moisture Removal (pints/day)	75	80		100	
Refrigerant	R-22/11Oz	R-22/12Oz		R-410A/20.5Oz (580g)	
Timer	24 Hours				
Operating Temperature Range	61°F-100°F				
Unit Dimensions (WxDxH)	17-3/4"x15-1/4"x29-7/16"				
Net Weight approximate	61.8 lbs	66.5 lbs	69 lbs	68.5 lbs	69.6 lbs
Power Cord	6 Feet				
Exhaust Hose	5 Feet				

# Care and Cleaning Guide

- Always unplug your air conditioner before cleaning.
- Air filter needs to be cleaned at least once a week for your unit to operate at optimum efficiency. Slide out the filter from the back by pulling on the tab. The filter may be washed or vacuumed. Remove the excess water from the filter by gently shaking the filter. This will remove dust and particles trapped in the filter. After cleaning, reinstall the filter. **DO NOT** use your air conditioner without the air filter in place.
- To clean the cabinet, **DO NOT** use harsh chemicals, abrasives, ammonia, chlorine, bleach, concentrated detergents, solvents or metal scouring pads. Some of these chemicals may dissolve, damage and/or discolor your air conditioner.
- Always use a soft cloth dampened with water or a mild soap and water solution to wipe the front of the cabinet. Wipe dry with a soft cloth.

## Storage

- To store your air conditioner when not being used for a long period of time, drain condensed water using the drain pipe. Remove exhaust hose, clean the filters, cover with plastic bag and store away.

## Troubleshooting

### **If air conditioner does not operate:**

- Check if unit is plugged in. The plug may have come loose.
- Press "Reset" button on the plug to resume operation.
- Check if the electrical wall receptacle is the proper voltage.
- Check if the circuit breaker needs to be reset or if the fuse needs to be replaced.
- Check if the unit is in "Off" mode.
- If the warning light is on, drain the water drain pipe by removing the plug.

### **Air conditioner working but room not cooling:**

- Room may have appliances that produce heat. Use an exhaust fan to remove excess heat.
- Check exhaust hose for proper installation.
- Redirect the airflow. Remove any obstacles.
- All doors and windows need to be closed so that cool air does not escape the room.
- Air filter may be blocked or may need cleaning.
- Unit BTU may be too low for the required cooling area.
- On extremely hot & humid days, air conditioners may take a little longer to cool.
- Drain the water drain pipe by removing the plug.
- Unit may be in fan or dry mode. Put air conditioner in cool mode.

# Limited Warranty

## **This warranty covers all defects in workmanship or materials for:**

1. The mechanical and electrical parts (including labor costs) contained in this product for a period of 12 months, from the date of purchase (commercial or rental application, the warranty is 90 days).
2. The sealed system and compressor contained in this product is for a period of 5 years, from the date of purchase (excluding labor costs after the initial 12 month period). In commercial or rental use, the additional limited compressor warranty is for 1 year and 9 months (excluding labor costs after the initial 90 days period).

## **You must keep and be able to provide your original sales receipt as proof of the date of purchase.**

### **Who is covered?**

The original retail purchaser of this product.

### **What will be done?**

Haier America will repair or replace in your home, any mechanical, electrical part or the compressor, which proves defective in normal household use for a period of 12 months. Haier America will repair or replace (excluding labor costs) the sealed system and compressor (parts only) for an additional 4 year period.

### **How can you get service?**

1. Contact your nearest Haier America Authorized Service Depot. For the name of the Service Depot nearest you, contact Haier America at (877) 337-3639.
2. All service must be performed by an authorized Haier America Service Depot.

## **THIS WARRANTY COVERS UNITS WITHIN THE CONTINENTAL UNITED STATES, CANADA AND PUERTO RICO AND DOES NOT COVER:**

- Damages from improper installation.
- Damages in shipping.
- Damages from misuse, abuse, accident, alteration, lack of proper care and maintenance.
- Damages from service, by other than an authorized dealer or service center.
- Labor, service, transportation and shipping charges for the removal of defective parts and installation of a replacement part, beyond the initial 12 month period.

THIS LIMITED WARRANTY IS GIVEN IN LIEU OF ALL OTHER WARRANTIES, EXPRESS OR IMPLIED, INCLUDING THE WARRANTIES OF MERCHANTABILITY AND FITNESS FOR A PARTICULAR PURPOSE.

The remedy provided in this warranty is exclusive and is granted in lieu of all other remedies. This warranty does not cover incidental or consequential damages. Some states do not allow the exclusion of incidental or consequential damages, so this limitation may not apply to you. Some states do not allow limitations on how long an implied warranty lasts, so this limitation may not apply to you. This warranty gives you specific legal rights, and you may also have other rights, which vary from state to state.