

This Owner's Manual is provided and hosted by [Appliance Factory Parts](#).



# Haier CPN10XCJL Owner's Manual

[Shop genuine replacement parts for Haier CPN10XCJL](#)



[Find Your Haier Air Conditioner Parts - Select From 735 Models](#)

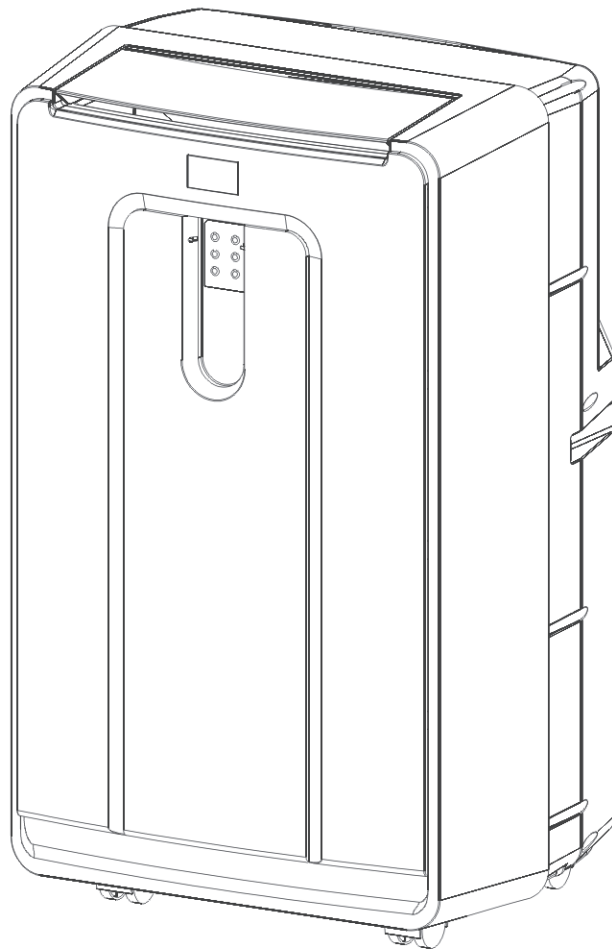
----- Manual continues below -----



**PORTABLE AIR CONDITIONER**

**CLIMATISEUR PORTATIF**

**ACONDICIONADOR DE AIRE PORTATIL**



**User Manual, Guide de l'Utilisateur, Manual del Usuario**

CPN08XCJ, CPN10XCJ, CPN10XCJ-BE, CPN10XHJ, CPN11XCJ,  
CPN12XC9, CPN12XH9, CPN12XH9-E

Before operating this air conditioner, please read these instructions completely.

# A Word From Haier America

Thank you for buying a dependable, energy saving and easy-to-operate Commercial Cool air conditioner. This manual contains useful information for you to maintain, operate, install and safely use your air conditioner. Your air conditioner cleans, cools and dehumidifies the air in your room to provide you with the ultimate level of comfort.

Please read instructions carefully before using the product. Also, do not forget to fill out and mail in the Product Registration Card.

## Product Registration

**Keep a record of your model and serial numbers .**

Attach the sales receipt to this guide and keep for future reference. Model and serial number can be obtained from the serial label, which is on your air conditioner. For all your service calls during the warranty period the following information will be needed:

Model Number: .....

Serial Number: .....

Date of Purchase:.....

Dealer's Name: .....

Dealer's Address:.....

Dealer's Phone Number: .....

# SAFETY PRECAUTIONS

**WARNING:** Following these basic precautions will reduce the risk of fire, electrical shock, injury or death when using your air conditioner.



- ⚠ 1) Air conditioner must be connected to proper electrical outlet with the correct electrical supply. (see table previous page)
- ⚠ 2) Proper grounding must be ensured to reduce the risk of shock and fire. **DO NOT CUT OR REMOVE THE GROUNDING PRONG.** If you do not have a three-prong electric receptacle outlet in the wall, have a certified electrician install the proper receptacle. The wall receptacle **MUST** be properly grounded.
- ⚠ 3) Do not operate air conditioner if power cord is frayed or otherwise damaged. Avoid using it if there are cracks or abrasion damage along the length, plug connector or if the unit malfunctions or is damaged in any manner. Contact an authorized service technician for examination, repairs or adjustments.
- ⚠ 4) **DO NOT USE AN ADAPTER OR AN EXTENSION CORD.**
  - 5) Do not block airflow around the air conditioner. The exhaust hose should be free of any obstructions.
  - 6) Always unplug the air conditioner before servicing it or moving it.
  - 7) Do not install or use the air conditioner in any area where the atmosphere contains combustible gases or where the atmosphere is oily or sulphurous. Avoid any chemicals coming in contact with your air conditioner.
  - 8) Do not place any object on the top of the unit.
  - 9) Never operate the air conditioner without the filters in place.
  - 10) Do not use the air conditioner near a bathtub, shower or wash basin.

## SAVE THESE INSTRUCTIONS

# Important Instructions

- Please keep this manual in a safe place.
- Do not use liquid or a spray to clean this product. Use a damp cloth.
- Do not place the product on an unstable surface or elevated place as it may fall and cause damage or injury.
- Never spill liquid on the control panel; it may cause electrical shock to the electronic parts inside and disable them or cause them to function improperly.
- Never try to dismantle the product by yourself. Unsupervised dismantling and incorrect reassembly of the inside of the back cover may damage the electrical circuit and affect its performance. When maintenance is required, please contact the local service center or local distributor.

Thank you for purchasing our Commercial Cool product. Please read this manual carefully before operating and store for future reference.

Staple your receipt to your manual. You will need it to obtain warranty service.

---

*Model number*

---

*Serial number*

---

*Date of purchase*

# Table Of Contents

	<b>Page</b>
<b>A Word From Haier America</b> .....	<b>1</b>
<b>Product Registration</b> .....	<b>1</b>
<b>Safety Precautions</b> .....	<b>2</b>
<b>Important Instructions</b> .....	<b>3</b>
<b>Advantages</b> .....	<b>4</b>
<b>Assembly and Installation</b> .....	<b>5</b>
<b>Parts and Features</b> .....	<b>6</b>
<b>Operation</b> .....	<b>7-9</b>
<b>Care and Cleaning</b> .....	<b>10</b>
<b>Storage</b> .....	<b>10</b>
<b>Troubleshooting</b> .....	<b>10</b>
<b>Warranty Information</b> .....	<b>11</b>

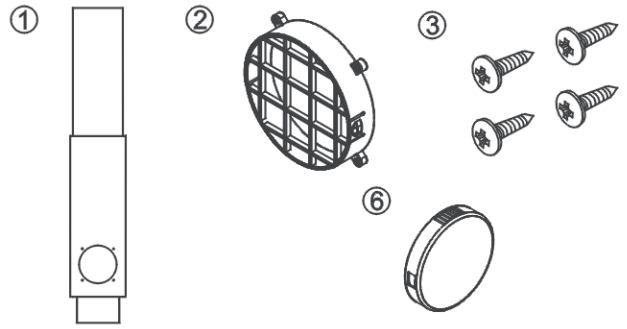
## Advantages of this Model

1. This model is easy to operate. The electronic control panel has a timer, thermostat, three speed cooling speeds, three fan speeds and one speed dehumidification function.
2. This portable air conditioner does not require water to be removed.
3. In cooling mode, the portable air conditioner does not require water to be removed. The unit has a unique design which continuously evaporates the water.
4. An easy-to-install window kit is included which consists of the exhaust hose, 2 hose nozzles, the window panel kit, exhaust hose connector and cover for the exhaust hose connector.
5. Full directional casters are included to help move the unit as needed.
6. The filter screen is designed for easily accessibility of the filter.
7. Portable air conditioners are easy to store when not in use.

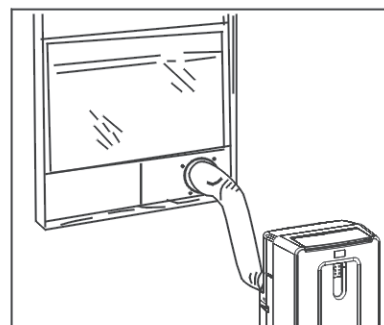
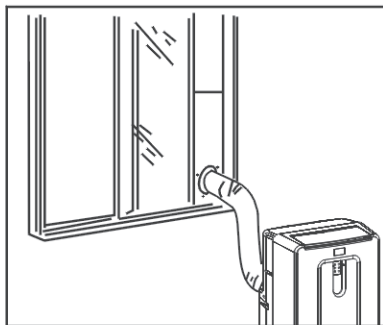
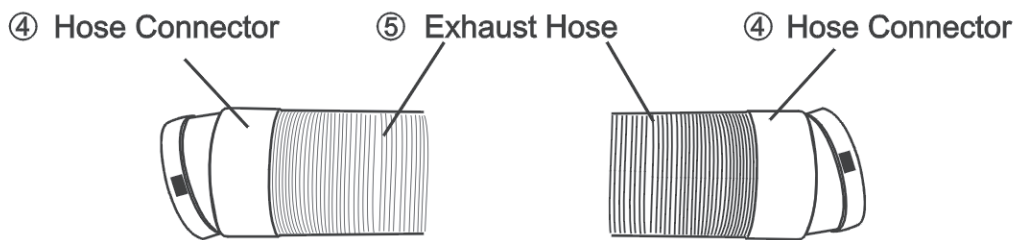
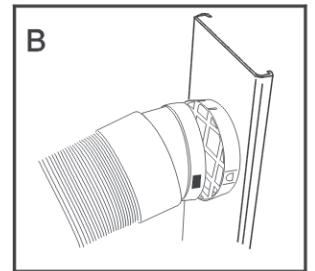
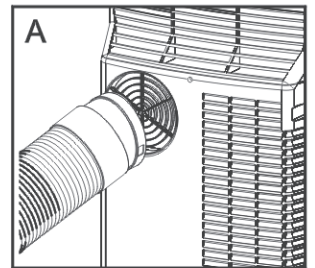
# Assembly and Installation

## Accessories Include

1. Plastic panel - From 20" up to 46" .. 3 Pieces
2. Window Panel Adaptor..... 1 piece
3. Screws..... 4 pieces
4. Exhaust hose connector ..... 2 pieces
5. Exhaust hose ..... 1 piece
6. Cover ..... 1 piece

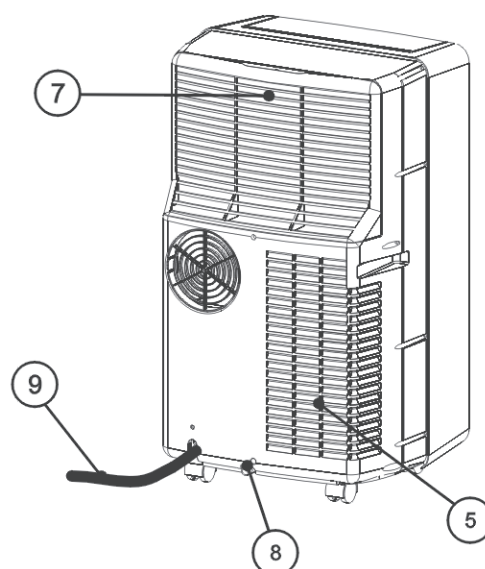
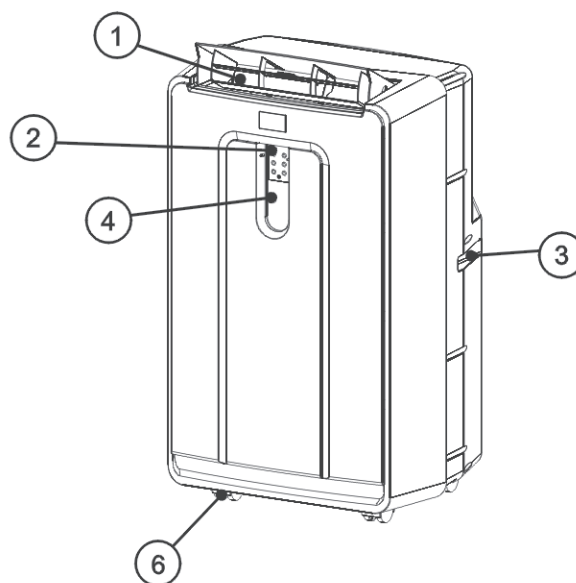


1. Adjust the plastic panel to the width or height of your window and tighten the 2 screws that are attached to the panel.
2. Push the round window panel adaptor through the rear of the plastic panel. Line up the holes and tighten the adaptor with 4 screws that are included in the kit. (Tighten screws from the front.)
3. Install the window plastic panel into the window. If necessary use duct tape to better secure the panel.
4. Connect exhaust hose to the unit by inserting the hose connector that is attached to the hose into the exhaust.
5. Move the unit to the window, extend the hose and attach the other end of the hose to the window. Align the tabs on the hose and window panel adapters and fasten them together.
6. Plug into wall outlet to get ready for operation.

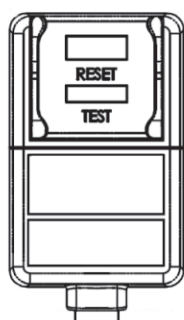


# Parts and Features

1. Air Outlet
2. Control Panel
3. Handle
4. Remote Control Cradle
5. Air Inlet
6. Casters
7. Air Filter
8. Water Outlet Drain
9. Power Supply Cord



## POWER SUPPLY CORD



TEST: WHEN THIS BUTTON IS PRESSED OR WHEN THERE IS A CURRENT LEAK, THE UNIT WILL NOT OPERATE.

RESET: AFTER SOLVING THE PROBLEM, PRESS THE RESET BUTTON TO RESUME OPERATION.

# Operation

## BEFORE USE:

1. Use an 115V, 15Amp outlet for the air conditioner. Do not use any other electrical appliances on this line or you may trip the fuse. Use a dedicated line for this air conditioner.
2. Do not place the air conditioner in direct sunlight or close to any heating appliances (i.e., baseboard heaters, stoves, etc.)
3. Operate on a flat surface only.
4. Keep the unit free of any obstructions such as drapes, curtains, blinds, etc.
5. Keep unit at least 1 foot away from the wall.

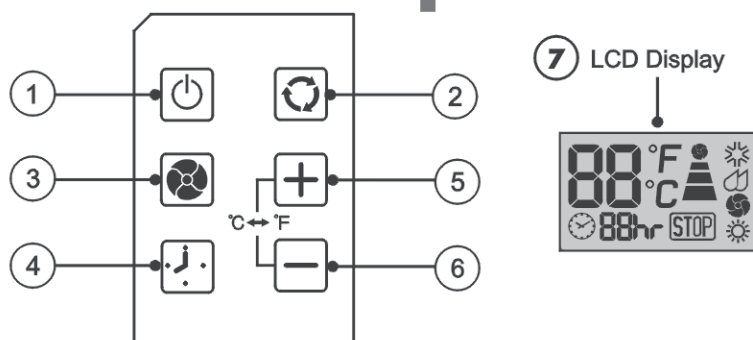
## DURING USE:

1. When turning on the unit for the first time after plugging it into an electrical outlet, the unit will start in a low fan cooling mode. The temperature display on the LCD will show the current room temperature. When turning on the unit during regular usage, it will remember the last setting used. If you want to operate the air conditioner as a dehumidifier, then adjust to dehumidification mode.
2. After a normal shut down, wait for 3 minutes before restarting the unit so as to complete the compressor cycle.
3. In cooling mode, this portable air conditioner does not require water to be removed. The unit has a unique design which continuously evaporates the water. In heating mode, or when the unit is operated in high humidity conditions, you may need to empty the water pan periodically, since the auto-evaporation function does not operate in heat mode. The unit will shut down automatically when the water pan is full and the "Tank Full" warning light will turn on.  
Emptying the water tank: Place a shallow pan below the drain plug located on the back of the unit (near the bottom of the air conditioner), remove plug, and drain the water pan completely. Re-insert the drain plug. You will then be able to restart your portable air conditioner.
4. Check and clean the filter once every week for highest efficiency.  
**Note:** Do not operate unit without filter.

## AFTER USE

If the unit is not being used for a long period of time, remove the plug from the water drain and drain out any condensed water. Please see the "Storage" section for more information.

# Control Panel Operation



- ①** **Power On / Off**
- ②** **Mode:** Press the mode button for desired setting.  
**Cool:** sign appears in LCD display when in cooling  
**Dehumidification:** sign appears in LCD display when in dehumidification mode.  
**Fan:** sign appears in LCD display when in fan mode.  
**Heat:** sign appears in LCD display when in heat mode. (CPN10XHJ, CPN12XH9, CPN12XH9-E Only)
- ③** **Fan Speeds** There are 3 adjustable speeds in the cool and fan mode: Low, Medium and High. In dehumidification mode, and room temperature is greater than 77°F, fan speed can be adjusted; otherwise fan speed is fixed to "low."
- ④** **On / Off Timer**  
**To set the Timer for a 1 to 24-hour delay until the air conditioner turns off:**  
 1. When you use the timer setting button while the unit is operating, you can preset a time for the unit to turn off.  
 2. When you use the timer setting button while the unit is on standby, you can present a time for the unit to turn on.  
 3. If you press the "ON/OFF" button, the preset timer function will be cancelled.  
 4. Timer setting range is 1~24 hours.  
**To clear Timer Delay program:**  
**NOTE:** Air conditioner can be either on or off.  
 1. Press the Timer button.  
 2. Press and hold the minus button until the timer display has cleared.  
**To change the remaining time (in hours):**  
 1. Press the Timer button.  
 2. Press the plus or minus button to change the delay time from 1 to 24 hours.  
 3. The new delay time will display.
- ⑤** **⑥** **Setting the Temperature**  
 To set the temperature, press the or key to raise or lower the temperature. The temperature can be raised or lowered in the cool mode. The temperature cannot be adjusted in fan or dehumidification mode. Press 5 and 6 simultaneously to switch between °F and °C.  
**NOTE:** The temperature can be set between 61°F to 89°F (Cool Mode) and 61°F to 80°F (Heat Mode).
- ⑦** **LCD Display**  
 When STOP indicator light turns on, the internal water tank has filled with condensed water and the air conditioner will turn off automatically. See "Portable Air Conditioner Care" for directions on draining the air conditioner.

# Remote Control Operation


## ① Power On / Off

## ② Mode

**Cool:**  sign appears in LCD display when in cooling

**Dehumidification:**  sign appears in LCD display when in dehumidification mode.

**Fan:**  sign appears in LCD display when in fan mode.

**Heat:**  sign appears in LCD display when in heat mode. (CPN10XHJ, CPN12XH9, CPN12XH9-E Only)

## ③ Fan Speeds There are 3 adjustable speeds in the cool and fan mode:

Low, Medium and High. In dehumidification mode, and room temperature is greater than 77°F, fan speed can be adjusted; otherwise fan speed is fixed to "low."

## ④ On / Off Timer

**To set the Timer for a 1 to 24-hour delay until the air conditioner turns off:**

1. When you use the timer setting button while the unit is operating, you can preset a time for the unit to turn off.
2. When you use the timer setting button while the unit is on standby, you can present a time for the unit to turn on.
3. If you press the "ON/OFF" button, the preset timer function will be cancelled.
4. Timer setting range is 1~24 hours.

**To clear Timer Delay program:**



**NOTE:** Air conditioner can be either on or off.

1. Press the Timer button.
2. Press and hold the minus button until the timer display has cleared.

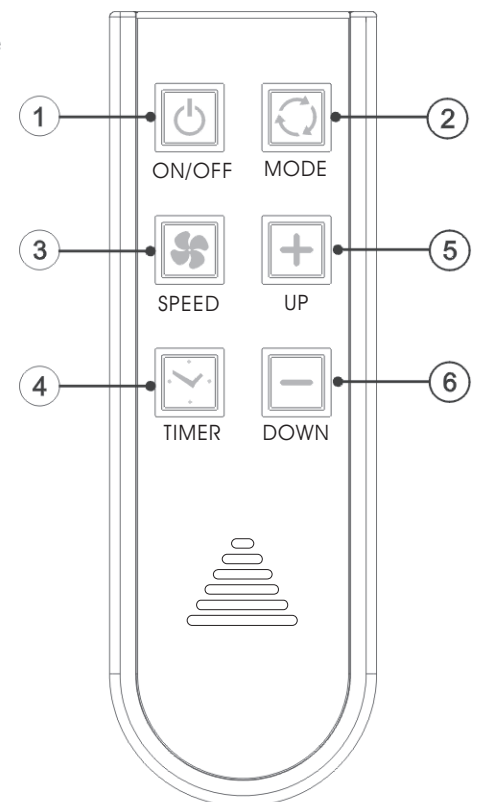
**To change the remaining time (in hours):**

1. Press the Timer button.
2. Press the plus or minus button to change the delay time from 1 to 24 hours.
3. The new delay time will display.

## ⑤ ⑥ Setting the Temperature

To set the temperature, press the  or  key to raise or lower the temperature. The temperature can be raised or lowered in the cool mode. The temperature cannot be adjusted in fan or dehumidification mode.

**NOTE:** The temperature can be set between  
61°F to 89°F (Cool Mode) and  
61°F to 80°F (Heat Mode).



# Care and Cleaning Guide

- Always unplug your air conditioner before cleaning.
- Air filter needs to be cleaned at least once a week for your unit to operate at optimum efficiency. Slide out the filter from the back by pulling on the tab. The filter may be washed or vacuumed. Remove the excess water from the filter by gently shaking the filter. This will remove dust and particles trapped in the filter. After cleaning, reinstall the filter. **DO NOT** use your air conditioner without the air filter in place.
- To clean the cabinet, **DO NOT** use harsh chemicals, abrasives, ammonia, chlorine, bleach, concentrated detergents, solvents or metal scouring pads. Some of these chemicals may dissolve, damage and/or discolor your air conditioner.
- Always use a soft cloth dampened with water or a mild soap and water solution to wipe the front of the cabinet. Wipe drv with a soft cloth.

## Storage

- To store your air conditioner when not being used for a long period of time, drain condensed water using the drain pipe. Remove exhaust hose, clean the filters, cover with plastic bag and store away.

## Troubleshooting

### If air conditioner does not operate:

- Check if unit is plugged in. The plug may have come loose.
- Press "Reset" button on the plug to resume operation.
- Check if the electrical wall receptacle is the proper voltage.
- Check if the circuit breaker needs to be reset or if the fuse needs to be replaced.
- Check if the unit is in "Off" mode.
- If the warning light is on, drain the water drain pipe by removing the plug.

### Air conditioner working but room not cooling:

- Room may have appliances that produce heat. Use an exhaust fan to remove excess heat.
- Check exhaust hose for proper installation.
- Redirect the airflow. Remove any obstacles.
- All doors and windows need to be closed so that cool air does not escape the room.
- Air filter may be blocked or may need cleaning.
- Unit BTU may be too low for the required cooling area.
- On extremely hot & humid days, air conditioners may take a little longer to cool.
- Drain the water drain pipe by removing the plug.
- Unit may be in fan or dry mode. Put air conditioner in cool mode.

### Tank Full Warning Light Is On:

- Unit will shut down when the water pan is full. This condition may occur either when the unit is operated in high humidity conditions, or when the unit is being operated in HEAT MODE, since the auto-evaporation function will not work in the heating mode. See instructions in the "Operation" section under "During use".

# Limited Warranty

## **This warranty covers all defects in workmanship or materials for:**

1. The mechanical and electrical parts (including labor costs) contained in this product for a period of 12 months, from the date of purchase (commercial or rental application, the warranty is 90 days).
2. The sealed system and compressor contained in this product is for a period of 5 years, from the date of purchase (excluding labor costs after the initial 12 month period). In commercial or rental use, the additional limited compressor warranty is for 1 year and 9 months (excluding labor costs after the initial 90 days period).

## **You must keep and be able to provide your original sales receipt as proof of the date of purchase.**

### **Who is covered?**

The original retail purchaser of this product.

### **What will be done?**

Haier America will repair or replace in your home, any mechanical, electrical part or the compressor, which proves defective in normal household use for a period of 12 months. Haier America will repair or replace (excluding labor costs) the sealed system and compressor (parts only) for an additional 4 year period.

### **How can you get service?**

1. Contact your nearest Haier America Authorized Service Depot. For the name of the Service Depot nearest you, contact Haier America at (877) 337-3639.
2. All service must be performed by an authorized Haier America Service Depot.

## **THIS WARRANTY COVERS UNITS WITHIN THE CONTINENTAL UNITED STATES, CANADA AND PUERTO RICO AND DOES NOT COVER:**

- Damages from improper installation.
- Damages in shipping.
- Damages from misuse, abuse, accident, alteration, lack of proper care and maintenance.
- Damages from service, by other than an authorized dealer or service center.
- Labor, service, transportation and shipping charges for the removal of defective parts and installation of a replacement part, beyond the initial 12 month period.

THIS LIMITED WARRANTY IS GIVEN IN LIEU OF ALL OTHER WARRANTIES, EXPRESS OR IMPLIED, INCLUDING THE WARRANTIES OF MERCHANTABILITY AND FITNESS FOR A PARTICULAR PURPOSE.

The remedy provided in this warranty is exclusive and is granted in lieu of all other remedies. This warranty does not cover incidental or consequential damages. Some states do not allow the exclusion of incidental or consequential damages, so this limitation may not apply to you. Some states do not allow limitations on how long an implied warranty lasts, so this limitation may not apply to you. This warranty gives you specific legal rights, and you may also have other rights, which vary from state to state.

# Un mot de Haier America

Merci d'avoir acheté un climatiseur "Commercial Cool" qui est dependable, facile à opérer et économise de l'énergie. Ce manuel contient l'information nécessaire pour maintenir, opérer, installer et utiliser proprement votre climatiseur. Votre climatiseur nettoie, refroidit et déshumidifie l'air dans votre salle pour vous fournir avec le niveau ultime de confort.

S'il vous plaît lisez soigneusement les instructions avant d'installer ce produit. N'oubliez pas de remplir et poster la carte **d'enregistrement du produit**.

## Registration du Produit

### Registrez le model et numero de serie.

Pour tous vos appels de service pendant la période de votre garantie, les informations suivantes vous seront nécessaires. Attachez le reçu de ventes à ce guide et garder pour la référence d'avenir. Cette information peut être obtenue de la plaque en série, qui est sur votre climatiseur.

Numero du model:.....  
Numero de serie:.....  
Date d'achats:.....  
Nom du negociant:.....  
Addressed u negociant:.....  
Numeros de telephone du negociant:.....

# CONSIGNES DE SÉCURITÉ

**AVERTISSEMENT:** Veuillez suivre ces précautions de base lorsque vous utilisez l'appareil afin de réduire tout risque d'incendie, d'électrocution, de blessure, voire de mort.



- ⚠ 1) Le climatiseur doit être branché au niveau d'une prise électrique d'une tension adéquate. (voir tableau)
- ⚠ 2) L'appareil doit être mis à la terre (masse) afin de réduire tout risque d'électrocution et d'incendie. **NE PAS COUPER NI RETIRER LA BROCHE DE MASSE.** Si votre prise murale ne peut accueillir une fiche à trois broches, veuillez faire en sorte qu'un électricien qualifié en installe une. La prise murale **DOIT** être mise à la masse.
- ⚠ 3) Ne pas utiliser l'appareil si le cordon d'alimentation est effiloché ou fissuré, si la fiche et le connecteur sont endommagés, ou si l'appareil présente une panne ou est endommagé d'une façon quelconque.
- ⚠ 4) **NE PAS UTILISER UN ADAPTATEUR OU UNE RALLONGE.**
- 5) Ne pas gêner ni bloquer le flux d'air autour de l'appareil et que rien ne bouche le tuyau de sortie.
- 6) Débrancher toujours le climatiseur avant de le déplacer ou d'effectuer opération de maintenance.
- 7) Ne pas installer le climatiseur dans un endroit où l'atmosphère est huileuse ou présente des gaz combustibles ou du soufre. Éviter que les produits chimiques entrent en contact avec le climatiseur.
- 8) Ne placer aucun objet sur le climatiseur.
- 9) Ne jamais utiliser le climatiseur sans les filtres.
- 10) Ne pas utiliser le climatiseur à proximité d'une baignoire, d'une douche ou d'un lavabo ou évier.

# Instructions Importantes

- Veuillez conserver ce manuel en lieu sûr.
- N'utilisez pas de liquide ou de spray pour nettoyer ce produit. Utilisez un chiffon humide.
- Ne placez pas ce produit dans un lieu peu sûr ou élevé car il peut tomber et causer des dommages ou des blessures.
- Ne renversez pas du liquide sur la télécommande, cela peut causer un choc électrique aux pièces électroniques à l'intérieur et les rendre inactives ou les faire fonctionner de façon incorrecte.
- N'essayez jamais de désassembler le produit vous-même. Un désassemblage sans supervision et un réassemblage incorrect de l'intérieur du couvercle arrière peut endommager le circuit électrique et peut avoir des conséquences sur ses performances. S'il y a un besoin de maintenance, veuillez contacter le centre de service local ou le distributeur local.

Merci d'avoir acheté ce produit Commercial Cool  
Veuillez lire attentivement ce manuel avec de faire  
fonctionner votre appareil et conservez-le pour  
vous y référer ultérieurement.

\_\_\_\_\_

*Numéro du modèle*

\_\_\_\_\_

*Numéro de série*

\_\_\_\_\_

*Date d'achat*

# Table de matieres

	<b>PAGE</b>
<b>Un mot de Haier America</b> .....	<b>1</b>
<b>Registration du Produit</b> .....	<b>1</b>
<b>Precautions de Surete</b> .....	<b>2</b>
<b>Important Instructions</b> .....	<b>3</b>
<b>Avantages</b> .....	<b>4</b>
<b>Assemblee et Installations</b> .....	<b>5</b>
<b>Parties et caracteristiques</b> .....	<b>6</b>
<b>Fonctionnement</b> .....	<b>7-9</b>
<b>Soins et nettoyage</b> .....	<b>10</b>
<b>Emmagasinage</b> .....	<b>10</b>
<b>Detections d'un problems</b> .....	<b>10</b>
<b>Informations de la garantie</b> .....	<b>11</b>

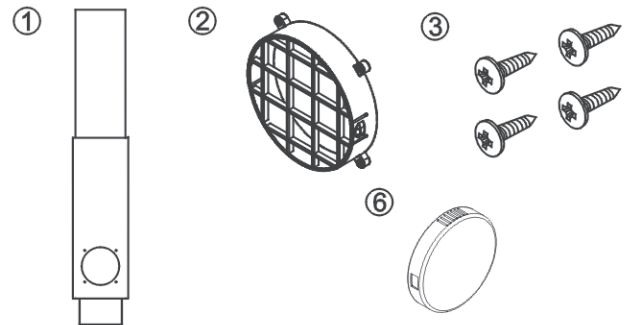
## Avantages de ce Model

1. Design unique à double tuyau, fournissant un refroidissement plus puissant et plus rapide que le design à tuyau unique.
2. Direction de la circulation d'air ajustable pour un refroidissement pratique et efficace.
3. Ce modèle est facile à faire fonctionner. Le tableau de commande électronique a une minuterie, un thermostat, trois vitesses de refroidissement, trois vitesses de ventilation et une vitesse pour la fonction déshumidification (sec).
4. Ce climatiseur portatif n'a pas besoin que de l'eau soit ajoutée.
5. Cette unité a un design unique qui évapore l'eau. Donc il n'y a pas de réservoir de condensation et pas besoin de vider un réservoir la nuit.
6. Un kit pour la fenêtre, facile à installer, est inclus, comprenant le tuyau d'évacuation, 2 buses de tuyau, le kit de panneau pour la fenêtre, le connecteur du tuyau d'évacuation et le couvercle pour le connecteur du tuyau d'évacuation.
7. Des roulettes entièrement directionnelles sont incluses pour aider à déplacer l'unité si besoin est.

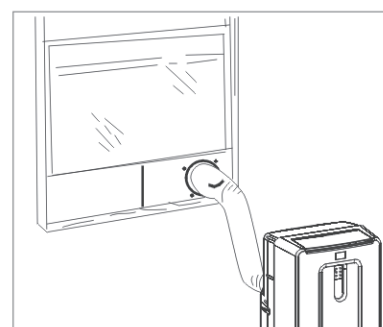
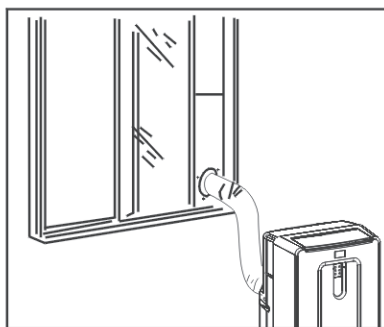
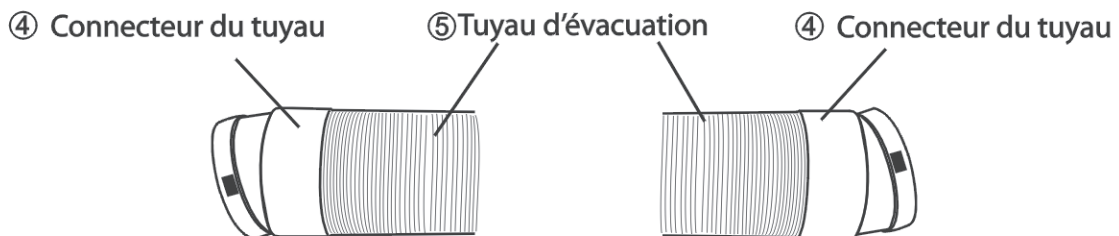
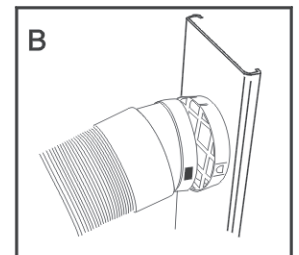
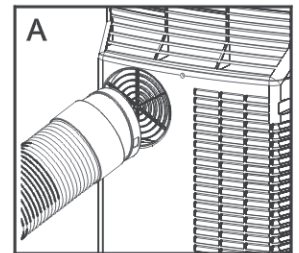
# Assemblee et Installation

## Les accessoires inclus

1. Panneau en plastique - De 20" (50 cm) jusqu'à 46" (116 cm) ..... 3 pièces
2. Adaptateur du vitrage ..... 1 pièce
3. Vis ..... 4 pièces
4. Connecteur du tuyau d'évacuation... 2 pièces
5. Tuyau d'évacuation ..... 1 pièce
6. Couvercle ..... 1 pièce

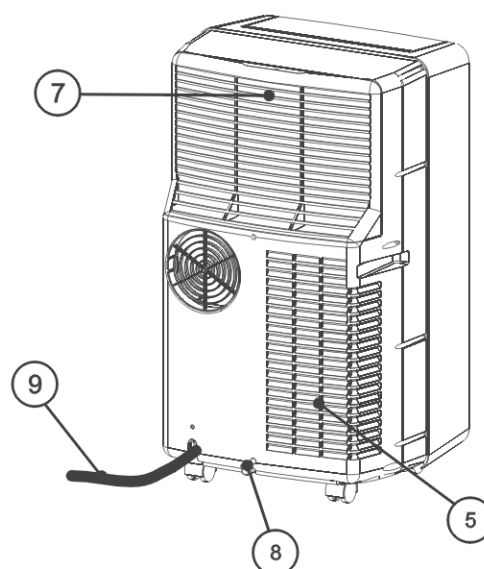
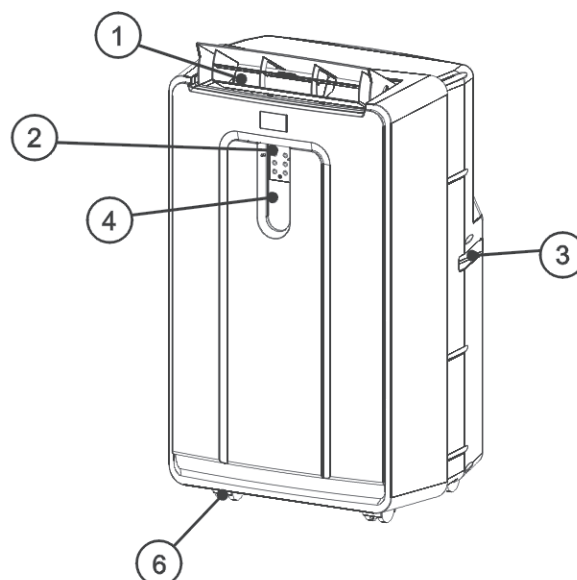


1. Ajustez le panneau en plastique à la largeur ou la hauteur de votre fenêtre et serrez les 2 vis qui sont attachées au panneau.
2. Appuyez sur l'adaptateur rond du vitrage par l'arrière du panneau en plastique. Alignez les trous et serrez l'adaptateur avec 4 vis qui sont incluses dans le kit. (Serrez les vis de l'avant.)
3. Installez le panneau en plastique à la fenêtre. Si nécessaire, utilisez du scotch pour bien sécuriser le panneau.
4. Connectez le tuyau d'évacuation à l'appareil en insérant le connecteur du tuyau qui est attaché au tuyau dans l'échappement.
5. Déplacez l'appareil vers la fenêtre, allongez le tuyau et attachez l'autre extrémité du tuyau à la fenêtre. Alignez les languettes sur les adaptateurs du tuyau et de la vitrine et attachez-les ensemble.
6. Branchez dans la prise murale pour commencer le fonctionnement.

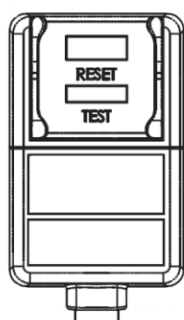


# Parties et Caractéristiques

1. Bouche d'aération
2. Tableau de commande
3. Poignée
4. Support de la télécommande
5. Entrée d'air
6. Roulettes
7. Filtre à air
8. Tuyau d'écoulement de l'eau
9. Cordon d'alimentation



## CORDON D'ALIMENTATION



TEST: LORSQUE CE BOUTON EST APPUYÉ OU QUAND IL Y A UNE FUIITE DE COURANT, L'APPAREIL NE FONCTIONNERA PAS.

RÉINITIALISATION: APRÈS AVOIR RÉGLÉ LE PROBLÈME, APPUYEZ SUR LE BOUTON DE RÉINITIALISATION POUR REPRENDRE LE FONCTIONNEMENT.

# Fonctionnement

**NOTE:** Attendez 24 heures pour mettre le climatiseur en marche si l'appareil a été penché pour quelque raison que ce soit. C'est nécessaire pour que les huiles et les liquides de refroidissement se mettent en place et se stabilisent.

1. Après avoir éteint l'appareil normalement, attendez 3 minutes avant de le remettre en marche afin de terminer le cycle du compresseur.
2. Utilisez une prise de courant de 115v/15amp pour le climatiseur. N'utilisez pas d'autres appareils électriques sur cette ligne ou vous risquez de faire sauter le fusible. Utilisez une ligne dédiée à ce climatiseur.
3. Ne placez pas le climatiseur en contact direct avec la lumière du soleil ou près d'appareils de chauffage (comme les plinthes électriques, les cuisinières, etc.)
4. Faites uniquement fonctionner sur une surface plane.
5. Faites en sorte qu'il n'y ait pas d'obstruction de rideaux, drapés et les stores, etc.
6. Gardez l'appareil à une distance d'au moins 1 pied (30 cm) du mur.
7. Vérifiez et nettoyez le filtre une fois par semaine pour une efficacité maximale.

**NOTE:** N'utilisez pas cet appareil sans filtre.

8. Si l'appareil n'est pas utilisé pendant longtemps, retirez le bouchon du tuyau d'évacuation d'eau et videz toute eau condensée.

Quand vous allumez l'appareil pour la première fois après l'avoir branché dans une prise de courant, l'appareil commencera en mode de ventilation de refroidissement bas. La température qui sera affichée sur l'écran LCD sera la température ambiante. Lorsque vous allumez l'appareil en usage normal, l'appareil se souviendra du dernier réglage utilisé. Si vous voulez faire fonctionner le climatiseur comme un déshumidificateur, réglez-le en mode déshumidification.

## LORS DE L'UTILISATION:

1. En mode refroidissement, ce climatiseur portable n'a pas besoin d'être vidé de son eau. L'appareil au design unique évapore continuellement l'eau.
2. En mode chauffant, ou dans des conditions particulièrement humides, vous pouvez avoir besoin de vider l'eau périodiquement, étant donné que la fonction d'auto-évaporation ne fonctionne pas en mode chauffant. L'appareil s'arrêtera automatiquement quand le bassin à eau est plein et l'indicateur <<Tank Full >> s'allumera.

## Pour vider le bassin :

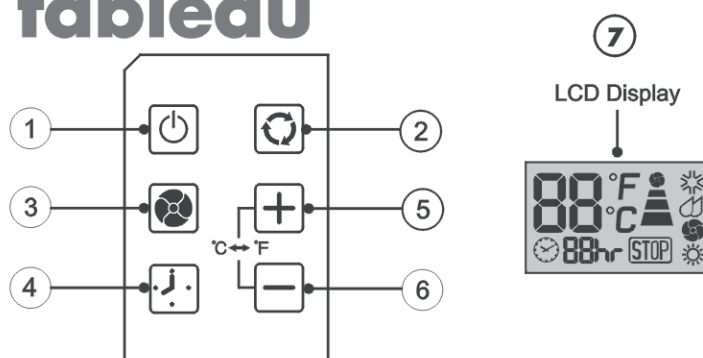
Placez une contenant peu profond sous le bouchon d'évacuation qui se trouve à l'arrière du climatiseur près du bas de l'appareil, enlevez le bouchon et videz le bassin complètement. Remettez le bouchon.

Vous pourrez donc, à ce moment, rallumer le climatiseur.

## APRÈS USAGE:

Si l'appareil ne sera pas utilisé pendant un certain temps, enlevez le bouchon d'évacuation et videz l'eau condensée. Voir la section <<Entreposage>> pour plus d'information.

# Fonctionnement tableau de commande




## ① Marche/Arrêt

## ② Mode: Appuyez sur le bouton mode pour le réglage désiré.

**Refroidissement:** Le signe  apparaît sur l'écran LCD en mode refroidissement.

**Déshumidification:** Le signe  apparaît sur l'écran LCD en mode déshumidification.

**Ventilateur:** Le signe  apparaît sur l'écran LCD en mode ventilation.

**Chauffage:** Le signe  apparaît sur l'écran LCD en mode chauffage. (CPN10XHJ, CPN12XH9, CPN12XH9-E Only)

## ③ Vitesses de ventilation Il y a 3 vitesses ajustables dans le mode refroidissement et ventilation: Low, Medium et High (Bas, Moyen et Fort). En mode déshumidification Si la température ambiante est supérieure à 25°C la vitesse du ventilateur peut être ajustée, sinon le ventilateur est fixé sur (Bas).

## ④ Marche/Arrêt de la minuterie

**Pour régler la minuterie pour un arrêt différé entre 1h et 24 heures jusqu'à ce que le climatiseur ne s'éteigne :**

1. Lorsque vous utilisez le bouton de réglage de la minuterie lorsque l'appareil est en marche vous pouvez pré-régler l'heure à laquelle vous voulez que l'appareil s'arrête.
2. Lorsque vous utilisez le bouton de réglage de la minuterie lorsque l'appareil est en stand-by vous pouvez pré-régler l'heure à laquelle vous voulez que l'appareil s'arrête.
3. Si vous appuyez sur le bouton « Marche/Arrêt » la fonction minuterie pré-réglée sera annulée.
4. La minuterie est comprise entre 1 et 24 heures.

### **Pour effacer le programme de Timer Delay:**



**NOTE:** Le climatiseur peut être allumé ou éteint.

1. Appuyez sur le bouton Timer.
2. Appuyez et laissez votre doigt sur le bouton moins jusqu'à ce que la minuterie soit effacée.

### **Pour changer la durée restante (en heures):**

1. Appuyez sur le bouton Timer.
2. Appuyez sur les boutons plus ou moins pour changer temps différé d'1 jusqu'à 24 heures.
3. Le nouveau temps différé s'affiche

## ⑤ ⑥ Réglage de la température

Pour régler la température, appuyez sur la touche  ou la touche  pour augmenter ou diminuer la température. La température peut être augmentée ou diminuée dans le mode refroidissement. La température ne peut être ajustée en mode ventilation ou déshumidification. Appuyez sur 5 et 6 simultanément pour passer de °F à °C et vice-versa.

**NOTE:** La température peut être réglée entre 61°F (16°C) à 89°F (32°C) (Cool Mode) & 61°F (16°C) à 80°F (27°C) (Heat Mode) .

## ⑦ LCD Display

Quand le voyant lumineux STOP s'allume, le réservoir d'eau interne est rempli d'eau condensée et s'éteindra automatiquement. Voir « Entretien du climatiseur portatif » pour des instructions sur l'évacuation du climatiseur.


# Fonctionnement télécommande


## ① Marche/Arrêt

## ② Mode: Appuyez sur le bouton mode pour le réglage désiré.

**Refroidissement:** Le signe  apparaît sur l'écran LCD en mode refroidissement.

**Déshumidification:** Le signe  apparaît sur l'écran LCD en mode déshumidification.

**Ventilateur:** Le signe  apparaît sur l'écran LCD en mode ventilation.

**Chauffage:** Le signe  apparaît sur l'écran LCD en mode chauffage. (CPN10XHJ, CPN12XH9, CPN12XH9-E Only)

## ③ Vitesses de ventilation Il y a 3 vitesses ajustables dans le mode refroidissement et ventilation: Low, Medium et High (Bas, Moyen et Fort). En mode déshumidification Si la température ambiante est supérieure à 25°C la vitesse du ventilateur peut être ajustée, sinon le ventilateur est fixé sur (Bas).

## ④ Marche/Arrêt de la minuterie

**Pour régler la minuterie pour un arrêt différé entre 1h et 24 heures jusqu'à ce que le climatiseur ne s'éteigne :**

1. Lorsque vous utilisez le bouton de réglage de la minuterie lorsque l'appareil est en marche vous pouvez prérégler l'heure à laquelle vous voulez que l'appareil s'arrête.
2. Lorsque vous utilisez le bouton de réglage de la minuterie lorsque l'appareil est en stand-by vous pouvez prérégler l'heure à laquelle vous voulez que l'appareil s'arrête.
3. Si vous appuyez sur le bouton «Marche/Arrêt» la fonction minuterie préréglée sera annulée.
4. La minuterie est comprise entre 1 et 24 heures.

**Pour effacer le programme de Timer Delay:**



**NOTE:** Le climatiseur peut être allumé ou éteint.

1. Appuyez sur le bouton Timer.
2. Appuyez et laissez votre doigt sur le bouton moins jusqu'à ce que la minuterie soit effacée.

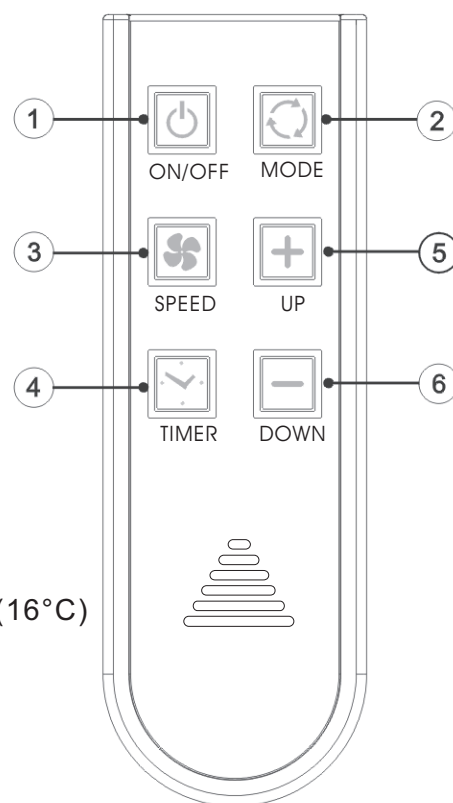
**Pour changer la durée restante (en heures):**

1. Appuyez sur le bouton Timer.
2. Appuyez sur les boutons plus ou moins pour changer temps différé d'1 jusqu'à 24 heures.
3. Le nouveau temps différé s'affiche

## ⑤ ⑥ Réglage de la température

Pour régler la température, appuyez sur la touche  ou la touche  pour augmenter ou diminuer la température. La température peut être augmentée ou diminuée dans le mode refroidissement. La température ne peut être ajustée en mode ventilation ou déshumidification. Appuyez sur 5 et 6 simultanément pour passer de °F à °C et vice-versa.

**NOTE:** La température peut être réglée entre 61°F(16°C) à 89°F(32°C)(Cool Mode) & 61°F(16°C) à 80°F(27°C) (Heat Mode).



# Guide de Nettoyage et de Soins

- Debranchez toujours votre climatiseur avant de le nettoyer.
- Les filtres doivent être nettoyés au moins une fois par semaine pour que votre produit opère à l'efficacité optimum. Le filtre peut être lavé ou aspiré. Enlevez l'excès d'eau du filtre, secouez doucement. Ceci enlèvera la poussière et les particules prises au piège dans le filtre. Après avoir nettoyé, réinstallez le filtre. **NE PAS** utiliser votre climatiseur sans le filtre à sa place.
- Pour nettoyer le placard, n'utilisez jamais les produits chimiques rudes, abrasifs, ammoniacaux, le chlore. Une partie de ces produits chimiques peuvent dissoudre, endommager et /ou **NE PAS** décolorer votre climatiseur.
- Utilisez toujours un tissu doux avec de l'eau au savon et nettoyez le devant du placard. Séchez avec un tissu doux.

## Emmagasinement

- Pour emmagasiner votre climatiseur quand vous ne l'utilisez pas pour une longue période de temps, drainez l'eau condensée en utilisant le tuyau d'évacuation. Enlevez le tuyau d'échappement, nettoyez les filtres puis couvrez-le avec des sacs en plastique et emmagasinez.

## Détection de panne

### Si le climatiseur ne fonctionne pas:

- Assurez-vous que le produit est branché, la prise peut être débranchée.
- Le bouton "Reset" ("Reiniciar") doit être pressé pour un fonctionnement adéquat.
- Assurez-vous que la prise murale est au voltage approprié.
- Assurez-vous si le disjoncteur a besoin d'être remis à l'état initial ou si le fusible doit être remplacé.
- Assurez-vous si le produit est sur le mode OFF.
- La lumière du réservoir indiquant qu'il est plein, appelez le service.

### Le climatiseur en marche, mais la salle ne se refroidit pas:

- La salle peut avoir des appareils qui produisent de la chaleur. Utilisez un ventilateur d'échappement pour enlever l'excès de la chaleur.
- Assurez-vous la propre installation du tuyau d'échappement.
- Déviez le courant d'air. Enlevez tous les obstacles.
- Toutes les portes et fenêtres doivent être fermées pour que l'air n'échappe pas de la salle.
- Les filtres peuvent être bloqués ou doivent être nettoyés.
- Le BTU de produit peut être très bas pour la chambre à refroidir.
- Quand la chaleur et l'humidité sont extrêmes, le climatiseur prendra long pour refroidir la salle.
- Égouttez l'eau du tuyau d'évacuation par le débrancher.
- Le produit peut être dans le sec ou ventilateur mode. Mettez le climatiseur sur le mode frais.

### L'indicateur de bassin plein («Tank Full») est allumé:

- L'appareil s'éteint lorsque le bassin d'eau est plein.
- Ceci peut arriver soit quand l'appareil fonctionne dans des conditions particulièrement humides ou quand l'appareil est en mode chauffant (HEAT MODE), étant donné que la fonction d'auto-évaporation ne fonctionne pas en mode chauffant.
- Voir l'information dans la section « Fonctionnement » sous la rubrique « Pendant l'utilisation ».

# Garantie Limitée

**Cette garantie couvre les pièces suivantes du climatiseur contre tous vices de fabrication et de matériaux:**

1. Les pièces mécaniques et électriques (y compris les frais de main d'oeuvre) de ce produit pour une période de 12 mois à partir de la date d'achat (pour utilisation commerciale et location, la garantie est de 90 jours).
2. Le système scellé et le compresseur contenu à l'intérieur de ce produit pour une période de 5 ans à partir de la date d'achat (frais de main d'oeuvre non compris après les 12 premiers mois de couverture). Si l'appareil est utilisé commercialement ou en location, la garantie supplémentaire du compresseur est de 1 à 9 mois (frais de main d'oeuvre non compris après les 90 premiers jours).

**Veillez conserver votre reçu de vente daté comme preuve d'achat.**

## Qui est couvert?

L'acheteur d'origine ayant fait l'acquisition de cet appareil .

## Quelles sont les réparations couvertes?

Haier America s'engage à réparer ou à remplacer à votre domicile et pour une durée de 12 mois, toute pièce mécanique ou électrique du compresseur ayant été déterminée défectueuse suite à une utilisation jugée normale. Haier America s'engage à réparer ou à remplacer (frais de main d'oeuvre non compris) le système scellé et le compresseur (pièces uniquement) pour une période supplémentaire de 4 ans.

## Démarches à suivre pour réparations

1. Contactez votre centre de réparation agréé Haier America le plus proche. Pour connaître le nom du centre agréé Haier America le plus proche, composez le (877) 337-3639.
2. Toute réparation doit être effectuée par un centre de réparation agréé Haier America.

**CETTE GARANTIE COUVRE LES APPAREILS AUX ÉTATS-UNIS ET À PUERTO RICO ET NE COUVRE PAS:**

- Les dommages survenant suite à une installation incorrecte.
- Les dommages survenant lors du transport.
- Les dommages et dégâts suite à toute utilisation incorrecte ou excessive, négligence ou modification, tout accident ou entretien incorrect.
- Les dommages suite à des réparations ayant été effectuées par un concessionnaire ou revendeur autre que par un centre de réparation agréé.
- Les frais de main d'oeuvre, de réparations, de transport et tous frais d'expédition couvrant le démontage de pièces et le montage des pièces de rechange au-delà des 12 premiers mois.

LA PRÉSENTE GARANTIE REMPLACE TOUTE AUTRE GARANTIE EXPRESSE OU IMPLICITE Y COMPRIS TOUTE GARANTIE DE COMMERCIALITÉ OU DE QUALITÉ MARCHANDE ET D'APTITUDE À UNE UTILISATION PARTICULIÈRE.

Le recours offert par la garantie est un recours exclusif et tient lieu de recours unique. Cette garantie ne couvre pas les dommages accessoires ou indirects. Certains états ou provinces ne permettent ni la limitation de la durée d'une garantie implicite ni l'exclusion de dommages indirects. Les limites ou exclusions mentionnées ci-dessus peuvent ne pas s'appliquer dans votre cas. Cette garantie vous confère des droits juridiques particuliers et il est possible que vous ayez d'autres droits qui peuvent varier selon l'état et la province.

# Palabras de Haier America

Gracias por comprar nuestro Acondicionador de Aire Commercial Cool, de bajo consumo de energía y práctico de utilizar. Este manual contiene información útil para la instalación, operación, mantenimiento y uso seguro de este producto. Su Acondicionador de aire limpia, enfría y deshumidifica el aire de la habitación de manera de obtener el mayor nivel de comfort.

Por favor, lea las instrucciones cuidadosamente antes de utilizar este producto. No olvide de completar y enviar la tarjeta de **registro del producto**.

## Registro del Producto

### Guarde el número de modelo y de serie.

Para todos los llamados que usted realice al Centro de servicios dentro del período de garantía será necesaria la siguiente información. Adjunte la factura de compra a esta guía y guarde para futura referencia. Esta información se encuentra en la placa de su Acondicionador.

Número de modelo: .....

Número de serie: .....

Fecha de compra: .....

Nombre del distribuidor: .....

Dirección del distribuidor: .....

Teléfono del distribuidor: .....

# PRECAUCIONES PARA SU SEGURIDAD

**SEA CUIDADOSO:** Siga todas las instrucciones antes de utilizar el Acondicionador de aire para reducir el riesgo de un shock eléctrico, daños o lesiones.



1) Este acondicionador debe conectarse a la toma de corriente adecuada de acuerdo a las instrucciones de este manual. (Ver tabla)



2) Debe asegurarse una adecuada conexión a tierra para reducir el riesgo de shock. **NO CORTE O RETIRE EL CABLE DE CONEXIÓN A TIERRA.** Si usted no posee una toma de corriente con conexión a tierra llame a un técnico calificado para que realice la instalación necesaria y correcta.



3) No utilice este Acondicionador si el cable de corriente estuviera rasgado o dañado. Evite también el uso de la unidad si existen daños de abrasión en el enchufe, el conector, o si el Acondicionador no funcionara correctamente o estuviese dañado de cualquier manera. Contacte a un service autorizado para la reparación o ajustes.



4) **NO UTILICE UN ADAPTADOR O ALARGUE.**

5) No bloquee o obstruya la corriente de aire alrededor de la unidad. Incluso la manguera de salida debe estar libre de cualquier obstrucción.

6) Siempre desenchufe el acondicionador antes de realizar reparaciones o traslados del mismo.

7) No instale u opere el Acondicionador en áreas donde la atmósfera posee gases combustibles. Evite que cualquier químico haga contacto con la unidad.

8) No coloque ningún objeto arriba de la unidad.

9) Nunca opere el Acondicionador sin los filtros en su lugar.

10) Nunca utilice el Acondicionador cerca de una bañera, pileta de cocina o una ducha.

# Instrucciones Importantes

- Mantenga este manual en un lugar seguro.
- No use líquidos o vaporizadores para limpiar este producto. Utilice un paño húmedo.
- No ubique el producto en un lugar inseguro o elevado, ya que puede caerse y provocar daños o lesiones.
- No derrame nunca líquidos sobre el panel de control; pueden producirse descargas eléctricas en las piezas electrónicas del interior, lo que puede provocar que se desactiven o que no funcionen correctamente.
- No intente nunca desarmar el producto usted mismo. Si se desarma sin supervisión el interior de la tapa posterior y se vuelve a armarlo de manera incorrecta, se puede dañar el circuito eléctrico y afectar su rendimiento. Cuando es necesario realizar mantenimiento, póngase en contacto con el centro de reparaciones local o con el distribuidor local.

Gracias por comprar nuestro producto **Commercial Cool**.

Lea este manual con atención antes de poner la unidad en funcionamiento y consérvelo para futuras consultas.

Abroche su recibo al manual. Lo necesitará para obtener servicios de garantía.

---

*Número de modelo*

---

*Número de serie*

---

*Fecha de compra*

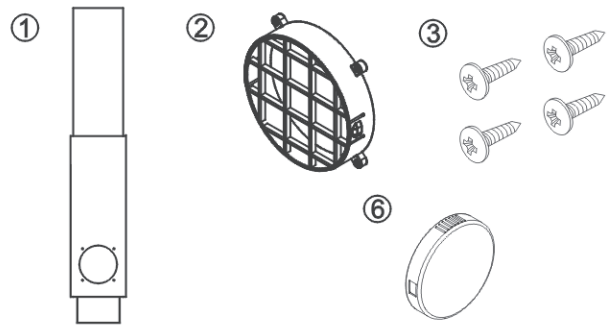
# Índice

<b>Palabra de Haier America</b> .....	<b>1</b>
<b>Registración del producto</b> .....	<b>1</b>
<b>Precauciones de seguridad</b> .....	<b>2</b>
<b>Important Instructions</b> .....	<b>3</b>
<b>Ventajas</b> .....	<b>4</b>
<b>Ensamble e instalación</b> .....	<b>5</b>
<b>Partes y características</b> .....	<b>6</b>
<b>Funcionamiento</b> .....	<b>7-9</b>
<b>Cuidados y mantenimiento</b> .....	<b>10</b>
<b>Almacenaje</b> .....	<b>10</b>
<b>Problemas en la operación</b> .....	<b>11</b>
<b>Información de garantía</b> .....	<b>12</b>

## Ventajas de este Modelo

1. Diseño exclusivo de manguera dual, que proporciona un enfriamiento más poderoso y rápido que con el diseño con una sola manguera.
2. Dirección regulable del flujo de aire para un enfriamiento cómodo y eficaz.
3. Este modelo es fácil de operar. El panel de control electrónico tiene temporizador, termostato, tres velocidades de enfriamiento, tres velocidades de ventilador y una velocidad de la función de deshumidificación (seco).
4. No es necesario agregarle agua a este acondicionador de aire portátil.
5. La unidad tiene un diseño único que evapora el agua. Por lo tanto, no tiene tanque de condensación y no es necesario vaciar el tanque por la noche.
6. Se incluye un conjunto de elementos para una fácil instalación en la ventana, que está compuesto por la manguera de salida, 2 boquillas de manguera, el equipo del panel para la ventana, el conector de la manguera de salida y la cubierta para el conector de la manguera de salida.
7. Se incluyen ruedecillas completamente direccionales para ayudarlo a mover la unidad según sus necesidades.

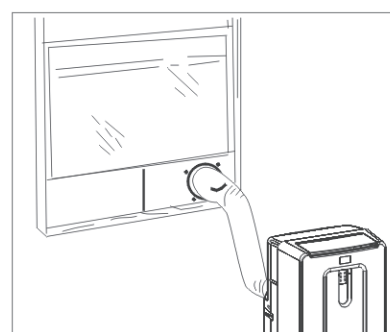
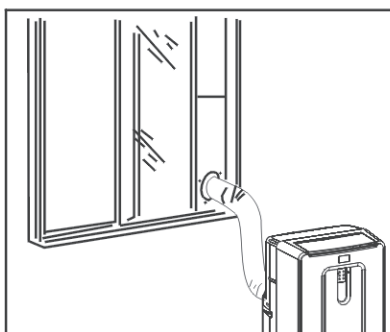
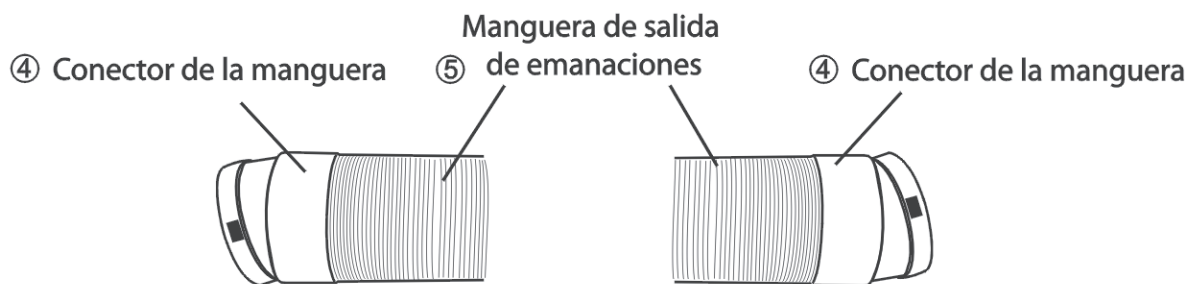
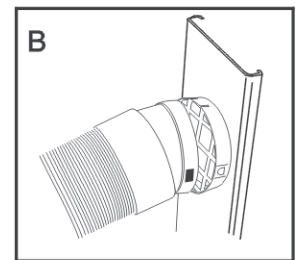
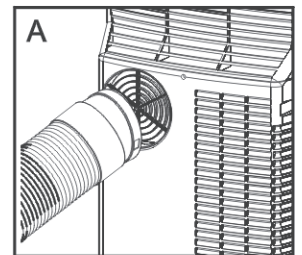
# Ensamble e Instalación



## Accesorios que se incluyen:

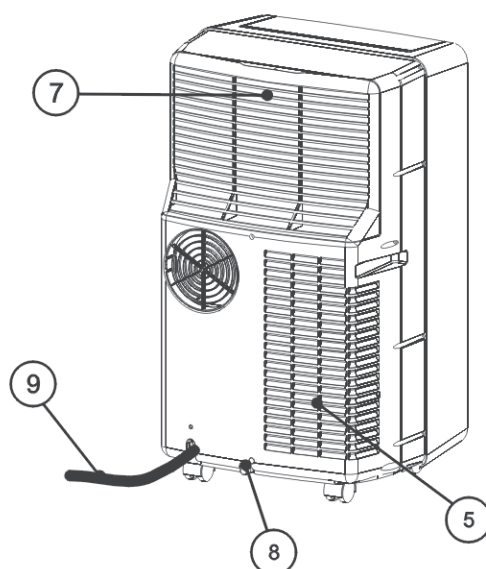
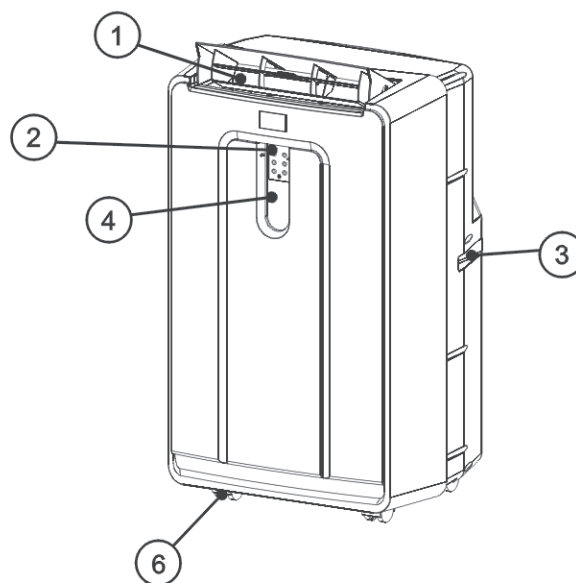
- |  |          |
|--|----------|
| 1. Panel de plástico. Desde 20" hasta 46" .....        | 3 piezas |
| 2. Adaptador del panel para la ventana .....           | 1 pieza  |
| 3. Tornillos .....                                     | 4 piezas |
| 4. Conector de la manguera de salida de emanaciones .. | 2 piezas |
| 5. Manguera de salida de emanaciones .....             | 1 pieza  |
| 6. Tapa.....   | 1 pieza  |

- Coloque el panel de plástico en el ancho o en la altura de su ventana y ajuste los 2 tornillos que están unidos al panel.
- Presione el adaptador redondo para el panel de la ventana a través de la parte posterior del panel de plástico. Alinee los agujeros y ajuste el adaptador con los 4 tornillos que se encuentran incluidos en el juego. (Ajuste los tornillos desde el frente).
- Instale el panel de plástico para la ventana en la ventana. De ser necesario, utilice cinta aislante para asegurar el panel.
- Conecte la manguera de salida con la unidad insertando el conector de la manguera que está unido a la manguera en la salida.
- Acerque la unidad a la ventana, extienda la manguera y una el otro extremo de la manguera a la ventana. Alinee las lengüetas de la manguera y de los adaptadores del panel de la ventana y ajústelas.
- Enchufe en el tomacorriente de la pared y prepare para el funcionamiento.

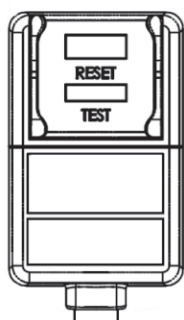


# Partes y Características

1. Salida de aire
2. Panel de control
3. Manija
4. Soporte para el control remoto
5. Entrada de aire
6. Ruedecillas
7. Filtro de aire
8. Desagüe de la salida de agua
9. Cable de alimentación



## CABLE DE ALIMENTACIÓN



**TEST (PRUEBA):** CUANDO SE PRESIONA ESTE BOTÓN O CUANDO HAY UNA PÉRDIDA DE CORRIENTE, LA UNIDAD NO FUNCIONA.

**RESET (REINICIAR):** DESPUÉS DE RESOLVER EL PROBLEMA, PRESIONE EL BOTÓN RESET (REINICIAR) PARA REANUDAR EL FUNCIONAMIENTO.

# Funcionamiento

**NOTA:** Espere 24 horas para encender el acondicionador de aire si la unidad se ha inclinado por cualquier motivo. Esto se recomienda para que los aceites y refrigerantes se asienten y se nivelen.

1. Después de que se apague la unidad normalmente, espere 3 minutos antes de reiniciarla así se completa el ciclo del compresor.
2. Utilice un tomacorriente de 115 voltios/15 amperes para el acondicionador de aire. No utilice otros artefactos eléctricos en esta línea, de lo contrario pueden saltar los fusibles. Utilice una línea exclusiva para este acondicionador de aire.
3. No ubique el acondicionador de aire expuesto a los rayos directos del sol ni cerca de artefactos de calefacción (es decir, zócalos radiantes, estufas, etc.)
4. Ponga la unidad en funcionamiento únicamente sobre una superficie plana.
5. Mantenga la unidad libre de obstrucciones, tales como cortinas, persianas, etc.
6. Mantenga la unidad al menos a un pie de distancia de la pared.
7. Revise y limpie el filtro una vez por semana para obtener una mayor eficiencia.

**NOTA:** No utilice la unidad sin el filtro.

8. Si no se utiliza la unidad por un período de tiempo prolongado, quite el tapón del tubo de desagüe de agua y vacíe toda el agua que pueda haberse condensado.

Cuando encienda la unidad por primera vez después de enchufarla en un tomacorriente eléctrico, la unidad comenzará a funcionar en un modo de enfriamiento con ventilador bajo. La temperatura que aparezca en el LCD será la temperatura ambiente de ese momento. Cuando encienda la unidad durante su uso regular, ésta recordará la última configuración usada. Si desea que el acondicionador de aire funcione como deshumidificador, entonces regúlelo en el modo deshumidificador.

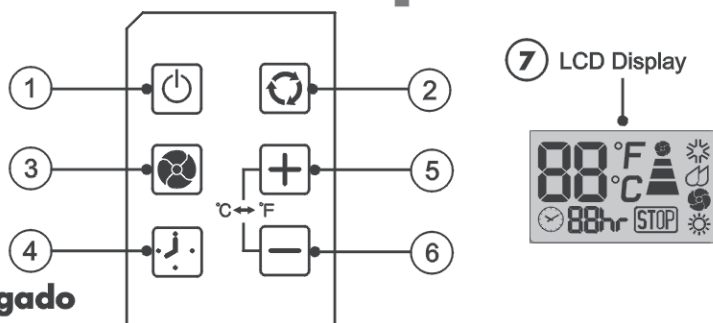
## DURANTE EL USO

1. En el modo enfriamiento, no es necesario quitarle agua a este acondicionador de aire portátil.
2. La unidad tiene un diseño único que evapora el agua de manera continua. En el modo calefacción, o cuando la unidad funciona en condiciones de alta humedad, es probable que deba vaciar la fuente para el agua de manera periódica, dado que la función de autoevaporación no funciona en el modo calefacción.
3. La unidad se apaga automáticamente cuando la fuente para el agua está llena y se enciende la luz de advertencia "Tank Full" (Tanque lleno).
4. Cómo vaciar el depósito de agua: Ubique una fuente poco profunda debajo del tapón de desagüe ubicado en la parte de atrás de la unidad (cerca de la base del acondicionador de aire), retire el tapón y vacíe la fuente para el agua completamente.
5. Vuelva a colocar el tapón de desagüe. Entonces podrá volver a encender su acondicionador de aire portátil.

## DESPUÉS DEL USO

Si no se utiliza la unidad por un período de tiempo prolongado, quite el tapón del desagüe de agua y vacíe toda el agua que pueda haberse condensado. Para obtener más información, consulte la sección "Guardado".

# Funcionamiento del panel de control



## 1 Encendido / Apagado

## 2 Modo: Presione el botón Mode (Modo) para lograr la configuración deseada.

**Frío:** ❄️ signo que aparece en la pantalla LCD cuando se encuentra en modo de enfriamiento.

**Deshumidificación:** 🌧️ Signo que aparece en la pantalla LCD cuando se encuentra en el modo deshumidificación.

**Ventilador:** 🌀 signo que aparece en la pantalla LCD cuando se encuentra en modo ventilador.

**Calor:** ☀️ signo que aparece en la pantalla LCD cuando se encuentra en modo calefacción.

(CPN10XHJ, CPN12XH9, CPN12XH9 - E Only)

## 3 Velocidades del ventilador Hay 3 velocidades ajustables en el modo enfriamiento y ventilador: Baja, Media y Alta. En el modo deshumidificación, Si la temperatura ambiente es superior a los 77°F, puede regularse la velocidad del ventilador; de lo contrario, la velocidad del ventilador se fija como "baja".

## 4 Temporizador Encendido/Apagado

**Para configurar el temporizador con una demora de 1 a 24 horas hasta que se encienda el acondicionador de aire.**

1. Cuando utilice el botón de configuración del temporizador mientras la unidad está en funcionamiento, puede configurar que la unidad se apague a una hora predeterminada.
2. Cuando utilice el botón de configuración del temporizador mientras la unidad está en espera, puede configurar que la unidad se encienda a una hora predeterminada.
3. Si presiona el botón "ON/OFF" (encendido/apagado), la función del temporizador se cancelará.
4. El temporizador funciona por un período de 1 a 24 horas.

**Para borrar el programa de demora con temporizador:**

**NOTA:** El acondicionador de aire puede estar encendido o apagado.

1. Presione el botón Timer (Temporizador).
2. Presione y mantenga presionado el botón menos hasta que desaparezca la pantalla del temporizador.

**Para cambiar el tiempo restante (en horas):**

1. Presione el botón Timer (Temporizador).
2. Presione el botón más o menos para cambiar el tiempo de demora desde 1 a 24 horas.
3. Se mostrará el tiempo de demora nuevo.

## 5 6 Configuración de la temperatura

Para configurar la temperatura, presione la tecla  $\oplus$  o  $\ominus$  para subir o bajar la temperatura. Puede subirse o bajarse la temperatura en el modo enfriamiento. No puede regularse la temperatura en los modos ventilador o deshumidificación. Presione 5 y 6 simultáneamente para cambiar entre °F y °C.

**NOTA:** Puede configurarse la temperatura entre 61°F y 89°F (Cool Mode) & 61°F y 80°F (Heat Mode)

## 7 Pantalla LCD


Cuando la luz indicadora STOP (DETENER) se enciende, el tanque de agua interno se ha llenado con agua condensada. El acondicionador de aire se apagará automáticamente.

Consulte "Cuidados del acondicionador de aire portátil" para obtener instrucciones para desagotar el acondicionador de aire.

# Funcionamiento del control remoto

## ① Encendido / Apagado

## ② **Modo:** Presione el botón Mode (Modo) para lograr la configuración deseada.

**Frío:**  signo que aparece en la pantalla LCD cuando se encuentra en modo de enfriamiento.

**Deshumidificación:**  Signo que aparece en la pantalla LCD cuando se encuentra en el modo deshumidificación.

**Ventilador:**  signo que aparece en la pantalla LCD cuando se encuentra en modo ventilador.

**Calor:**  signo que aparece en la pantalla LCD cuando se encuentra en modo calefacción.

(CPN10XHJ, CPN12XH9, CPN12XH9-E Only)

## ③ **Velocidades del ventilador** Hay 3 velocidades ajustables en el modo enfriamiento y ventilador: Baja, Media y Alta. En el modo deshumidificación, Si la temperatura ambiente es superior a los 77°F, puede regularse la velocidad del ventilador; de lo contrario, la velocidad del ventilador se fija como "baja".

## ④ **Temporizador Encendido/Apagado**

**Para configurar el temporizador con una demora de 1 a 24 horas hasta que se encienda el acondicionador de aire.**

1. Cuando utilice el botón de configuración del temporizador mientras la unidad está en funcionamiento, puede configurar que la unidad se apague a una hora predeterminada.
2. Cuando utilice el botón de configuración del temporizador mientras la unidad está en espera, puede configurar que la unidad se encienda a una hora predeterminada.
3. Si presiona el botón "ON/OFF" (encendido/apagado), la función del temporizador se cancelará.
4. El temporizador funciona por un período de 1 a 24 horas.

**Para borrar el programa de demora con temporizador:**



**NOTA:** El acondicionador de aire puede estar encendido o apagado.

1. Presione el botón Timer (Temporizador).
2. Presione y mantenga presionado el botón menos hasta que desaparezca la pantalla del temporizador.

**Para cambiar el tiempo restante (en horas):**

1. Presione el botón Timer (Temporizador).
2. Presione el botón más o menos para cambiar el tiempo de demora desde 1 a 24 horas.
3. Se mostrará el tiempo de demora nuevo.

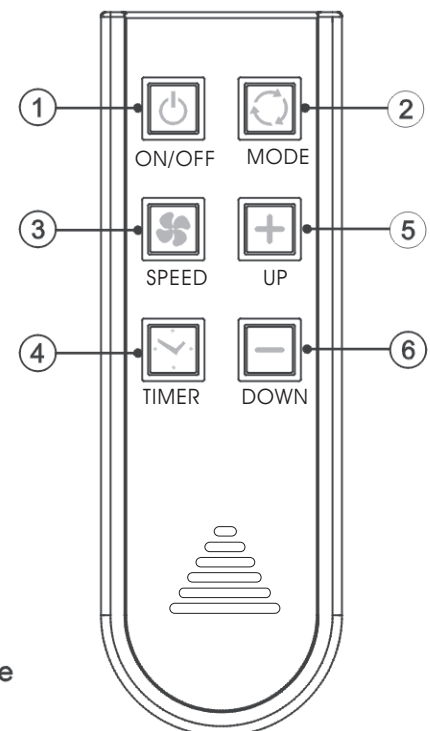
## ⑤ ⑥ **Configuración de la temperatura**

Para configurar la temperatura, presione la tecla  o  para subir o bajar la temperatura. Puede subirse o bajarse la temperatura en el modo enfriamiento. No puede regularse la temperatura en los modos ventilador o deshumidificación. Presione 5 y 6 simultáneamente para cambiar entre °F y °C.

**NOTA:** Puede configurarse la temperatura entre 61°F y 89°F (Cool Mode) & 61°F y 80°F (Heat Mode).

## ⑦ **Pantalla LCD**

Cuando la luz indicadora STOP (DEFIENER) se enciende, el tanque de agua interno se ha llenado con agua condensada. El acondicionador de aire se apagará automáticamente. Consulte "Cuidados del acondicionador de aire portátil" para obtener instrucciones para desagotar el acondicionador de aire.



# Cuidado y Mantenimiento

- Siempre desenchufe la unidad antes de limpiar.
- El filtro de aire del Acondicionador necesita ser limpiado por lo menos una vez por semana para que la unidad pueda funcionar al máximo de eficiencia. El filtro puede retirarse de la parte trasera deslizando hacia adelante. El filtro puede ser lavado o aspirado. Retire el exceso de agua del filtro sacudiéndolo. De esta manera desaparecerán las partículas de tierra y polvillo atrapados. Coloque nuevamente el filtro luego de la limpieza. **NO UTILICE** el acondicionador si el filtro no está en su lugar.
- Para limpiar el gabinete **NO UTILICE** químicos, abrasivos, amoníaco, cloro, blanqueador, detergentes concentrados, solventes o esponjitas de metal. Algunos de estos productos puede dañar el acabado o decolorar las superficies.
- Utilice un paño seco y suave o apenas humedecido con una solución de agua y detergente. Lave y seque con un repasador o paño.

## Almacenaje

- Para guardar el Acondicionador mientras no esté en uso por un largo período de tiempo retire restos de agua que hayan quedado en el tubo de drenaje. Retire también la manguera de salida, limpie los filtros, cubra con una bolsa de plástico y guarde.

# Problemas Frecuentes

## **Si el acondicionador de aire no funciona:**

- Controle que la unidad esté enchufada. El enchufe puede haberse aflojado.
- Si le climatiseur ne fonctionne pas, appuyez sur le bouton "Reset" pour le remettre en marche.
- Controle que la toma de corriente sea del voltaje adecuado.
- Controle si se quemó algún fusible. Reemplaze el mismo.
- Verifique que la unidad esté en modo ON
- La luz indicadora de tanque lleno está encendida. Llame a un técnico.

## **El Acondicionador no enfría lo suficiente:**

- Puede haber otros aparatos en el área que irradian calor. Utilice la opción de ventilación para remover el aire caliente.
- Controle que la manguera de salida de calor este instalada correctamente.
- Redireccione la corriente de aire. Retire los obstáculos.
- Todas las puertas y ventanas deben estar cerradas de manera que el aire frío no escape.
- El filtro de aire puede estar bloqueado o necesita limpieza.
- La unidad BTU puede ser chica para la habitación.
- En días de calor y humedad extrema los Acondicionadores pueden demorar más tiempo que el normal en enfriar.
- Drene el agua del tubo de drenaje desenchufando el mismo.
- La unidad puede estar en el modo de ventilación o secada. Seleccione la opción "frío".

## **La luz de advertencia de tanque lleno está encendida:**

- La unidad se apaga si la fuente de agua está llena. Esto puede suceder cuando la unidad está en funcionamiento en condiciones de alta humedad o cuando funciona en el modo CALEFACCIÓN, dado que la función de autoevaporación no funciona en este modo.
- Consulte las instrucciones en la sección "Funcionamiento" en el apartado "Durante el uso".

# Garantía Limitada

## Esta garantía cubre todos los defectos en el funcionamiento o materiales por:

1. Las partes mecánicas y eléctricas que posee este producto (incluyendo los costos de labor) por un período de 12 meses desde la fecha de compra. (90 días si fuese de aplicación comercial o renta).
2. El sistema sellado y el compresor comprendidos en este producto por un período de 5 años, desde la fecha de compra, (excluyendo los costos de labor luego de los 12 meses iniciales). Si fuese de uso comercial o renta la garantía adicional limitada del compresor es por 1 año y 9 meses (excluyendo los costos de labor luego de los 90 días iniciales).

## Usted debe conservar y disponer de la factura original de compra como prueba de la fecha de compra del producto.

### Quién está cubierto?

El minorista comprador del producto.

### Qué se hará?

Haier America reparará o cambiará, en su casa, cualquier parte mecánica o eléctrica que se muestre defectuosa en la operatoria normal y dentro del período de 12 meses.

Haier America reparará o cambiará (excluyendo los costos por labor) el sistema sellado o compresor (partes solamente) por un período adicional de 4 años.

### Cómo se obtiene el servicio?

1. Para obtener el servicio contacte al Departamento de servicios autorizado por Haier America más cercano al (877) 337-3639.
2. Toda reparación debe ser realizada por un Service Autorizado por Haier America.

## ESTA GARANTIA ACANZA A TODOS LAS UNIDADES DENTRO DE LOS ESTADOS UNIDOS, CANADA Y PUERTO RICO. NO ALCANZA LO SIGUIENTE:

- Daños por instalación inadecuada
- Daños en el embarque.
- Daños por desuso, accidente, abuso, alteración, falta de cuidado y mantenimiento adecuado
- Daños realizados por un service o persona no autorizada por Haier America.
- Labor, servicio, transporte y gastos de embarque por el reemplazo de las partes defectuosas e instalación de las nuevas partes, luego de los 12 meses iniciales.

ESTA GARANTIA LIMITADA ESTA DADA EN LUGAR DE CUALQUIER OTRA GARANTIA, EXPRESAS O NO, INCLUYENDO LA GARANTIA DE COMERCIALIZACION O PARA UN PROPOSITO EN PARTICULAR.

Las soluciones provistas en esta garantía son exclusivas y concedidas en lugar de cualquier otra garantía.

Esta garantía no cubre daños incidentales o consiguientes, de modo que las limitaciones anteriores pueden no alcanzarlo. Algunos Estados no permiten limitaciones en cuanto la duración de una garantía implícita, de modo que las limitaciones anteriores pueden no alcanzarlo.

Esta garantía le da derechos legales específicos, y usted gozará de otros derechos los cuales varían de Estado a Estado.

# **IMPORTANT**

## **Do Not Return This Product To The Store**

If you have a problem with this product, please contact the "Haier Customer Satisfaction Center" at 1-877-337-3639.

**DATED PROOF OF PURCHASE REQUIRED FOR WARRANTY SERVICE**

# **IMPORTANT**

## **Ne pas Réexpédier ce Produit au Magasin**

Pour tout problème concernant ce produit, veuillez contacter le service des consommateurs 'Haier Customer Satisfaction Center' au 1-877-337-3639.

**UNE PREUVE D'ACHAT DATEE EST REQUISE POUR BENEFICIER DE LA GARANTIE.**

# **IMPORTANTE**

## **No regrese este producto a la tienda**

Si tiene algún problema con este producto, por favor contacte el "Centro de Servicio al Consumidor de Haier" al 1-877-337-3639 (Válido solo en E.U.A).

**NECESITA UNA PRUEBA DE COMPRA FECHADA PARA EL SERVICIO DE LA GARANTIA**

**120V~60Hz**

**Made in China  
Fabriqué en Chine  
Hecho en China**

# **COMMERCIAL**



# *Cool*

**Haier America  
New York, NY 10018**

**Printed in China**