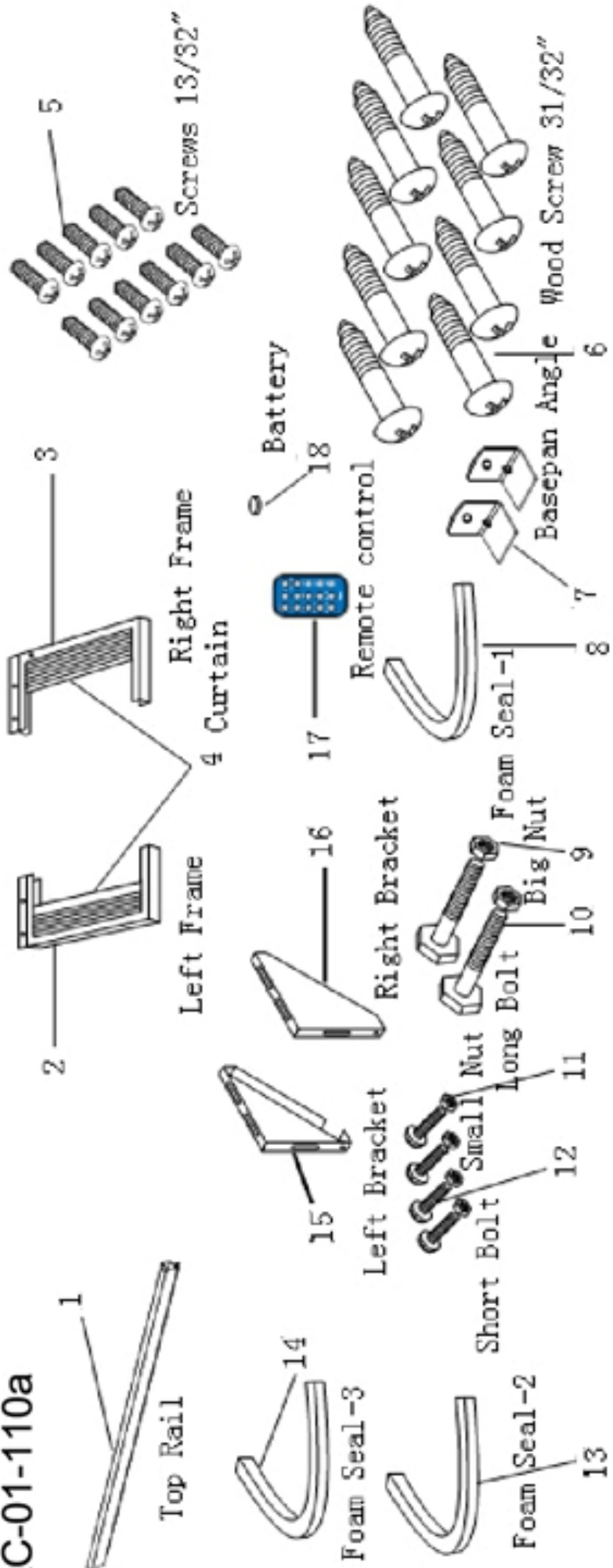


HEAT CONTROLLER, INC.

REPLACEMENT
PARTS

RAD-303A
Room Air Conditioner

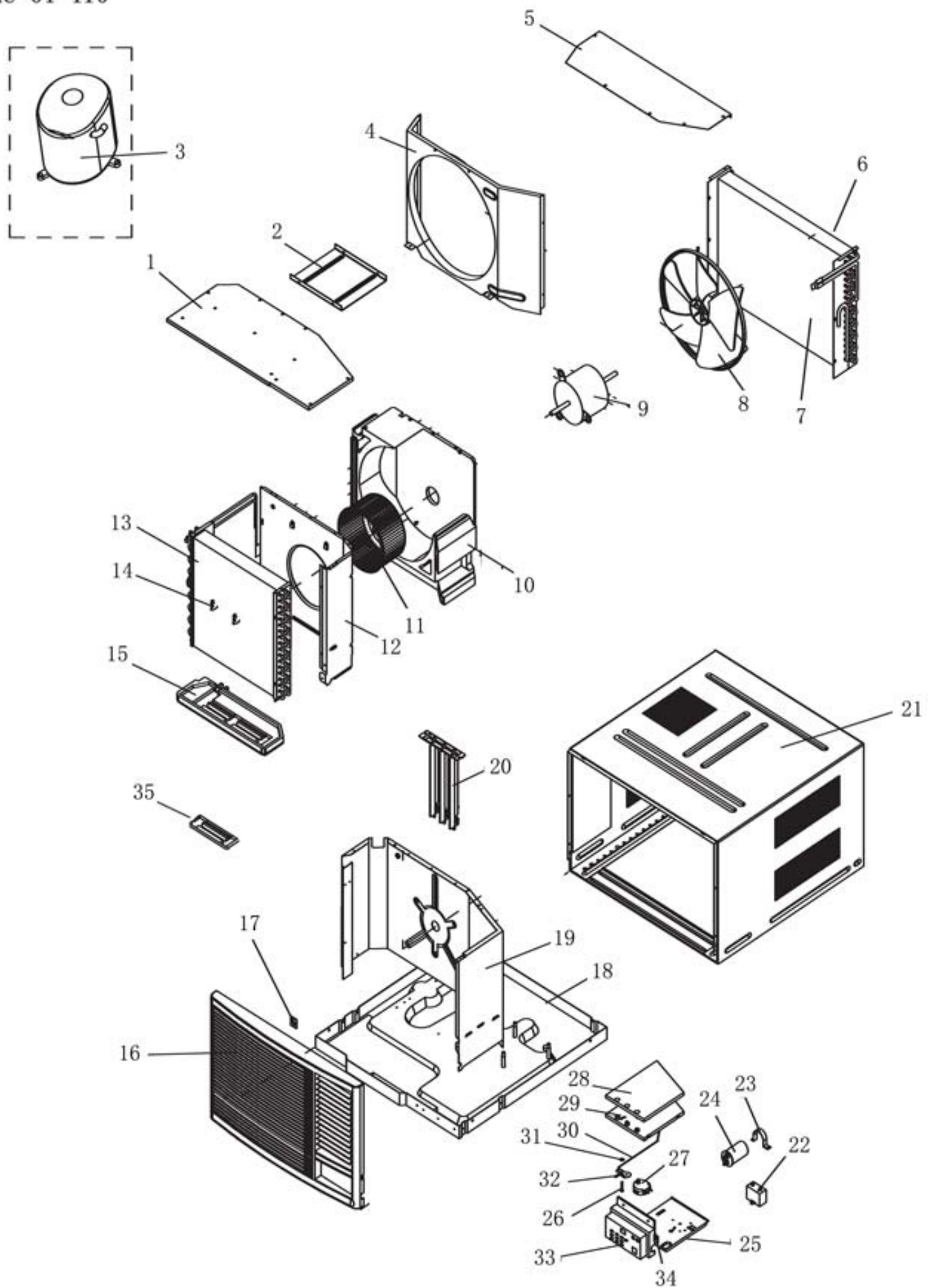
AC-01-110a



RAD-303A

FIGURE NO.	PART NO.	NAME	DESCRIPTION
1	AC-3300-13	GUIDE	TOP
2	AC-2950-46	FRAME	LEFT
3	AC-2950-49	FRAME	RIGHT
4	AC-6100-54	SCREEN	ACCORDIAN
5	AC-6150-12	SCREW	
6	AC-6150-15	SCREW	25mm WOOD
7	AC-0840-08	BRACE	ANGLE
8	AC-6190-04	SEAL	FOAM
9	AC-4720-06	NUT	
10	AC-6150-17	SCREW	BRACE
11	AC-0750-20	BOLT	
12	AC-6150-23	SCREW	
13	AC-3100-28	GASKET	SASH
14	AC-3100-35	GASKET	SEAL
15	AC-0840-10	BRACE	TRIANGLE [LEFT]
16	AC-0840-11	BRACE	TRIANGLE [RIGHT]
17	AC-5620-34	REMOTE	

AC-01-110



RAD-303A			
FIGURE NO.	PART NO.	NAME	DESCRIPTION
1	AC-0668-97	BOARD	FRONT COVER ASSY
2	AC-5300-19	PLATE	COVER
3	AC-1750-160	R	
4	AC-0668-96	BOARD	REAR PARTITION ASSY
5	AC-1950-41	COVER	CONDENSER
6	AC-5255-77	PIPE	REAR - GAURDING
7	AC-1800-99	CONDENSER	ASSY
8	AC-2750-14	FAN	CONDENSER (BLADE)
9	AC-4550-22	MOTOR	
10	AC-1470-06	CASE	SCROLL
11	AC-2750-12	FAN	BLOWER WHEEL
12	AC-5200-30	PANEL	EVAPORATOR PARTITION
13	AC-2650-82	EVAPORATOR	ASSY
14	AC-1650-19	CLIP	THERMO-INDUCTION PIPE
15	AC-5150-07	PAN	DRAIN
16	AC-5200-323	PANEL	FRONT ASSY
17	AC-6899-02	STOP	
18	AC-1620-19	CHASSIS	ASSY
19	AC-0668-98	BOARD	FRONT PARTITION ASSY
20	AC-4440-13	LOUVER	VERTICAL
21	AC-1620-04	CHASSIS	[ASSY]
22	AC-1400-23	CAPACITOR	COMPRESSOR
23	AC-1650-56	CLIP	CAPACITOR
24	AC-1400-28	CAPACITOR	FAN MOTOR
25	AC-0800-106	BOX	ELECTRIC
26	AC-6150-57	SCREW	
27	AC-4550-15	MOTOR	SYNCHRO
28	AC-2015-43	CUSHION	
29	AC-0668-99	BOARD	TOP
30	AC-4340-01	LINKAGE	VENT
31	AC-4720-23	NUT	MOTOR BOLT
32	AC-0012-05	ACTUATOR	VENT
33	AC-5950-07	ROD	CONNECTING
34	AC-5210-04	P.C.B.	
35	AC-5620-34	REMOTE	

**Design, material, performance data and components
subject to change without notice.**

HEAT CONTROLLER, INC.

1900 Wellworth Ave., Jackson, Michigan 49203 • Ph. 517-787-2100 • Fax 517-787-9341

THE QUALITY LEADER IN CONDITIONING AIR

www.heatcontroller.com