



Spacemaker Dryers

Safety Instructions 2-5

Operating Instructions

Care and Cleaning 8
Controls 6
Features 7
Loading and Using the Dryer 8

Installation Instructions 9-18

Electrical Installation for
Electric Dryer 16, 17
Electrical Requirements 11
Exhausting the Dryer 12, 13
Gas Connection for Gas Dryer 18
Gas Supply Requirements 13
Location of Your Dryer 14
Mobile Home Installation 15
Preparing to Install Your Dryer 9, 10
Reversing the Door Swing 18

Troubleshooting Tips 19-21

Consumer Support

Consumer Support 24
Warranty 23

**Owner's Manual &
Installation Instructions**

DSXH47



IMPORTANT SAFETY INFORMATION. READ ALL INSTRUCTIONS BEFORE USING.

Safety Instructions

Operating Instructions

Installation Instructions

Troubleshooting Tips

Consumer Support

⚠ WARNING!

For your safety, the information in this manual must be followed to minimize the risk of fire or explosion, electric shock, or to prevent property damage, personal injury, or death.

- *Do not store or use gasoline or other flammable vapors and liquids in the vicinity of this or any other appliance.*
- *Installation and service must be performed by a qualified installer, service agency or the gas supplier.*

WHAT TO DO IF YOU SMELL GAS:

- 1** *Do not try to light a match, or cigarette, or turn on any gas or electrical appliance.*
- 2** *Do not touch any electrical switch; do not use any phone in your building.*
- 3** *Clear the room, building or area of all occupants.*
- 4** *Immediately call your gas supplier from a neighbor's phone. Follow the gas supplier's instructions carefully.*
- 5** *If you cannot reach your gas supplier, call the fire department.*

California Safe Drinking Water and Toxic Enforcement Act

This act requires the governor of California to publish a list of substances known to the state to cause cancer, birth defects or other reproductive harm and requires businesses to warn customers of potential exposure to such substances.

Gas appliances can cause minor exposure to four of these substances, namely benzene, carbon monoxide, formaldehyde and soot, caused primarily by the incomplete combustion of natural gas or LP fuels.

Properly adjusted dryers will minimize incomplete combustion. Exposure to these substances can be minimized further by properly venting the dryer to the outdoors.



PROPER INSTALLATION

This dryer must be properly installed and located in accordance with the Installation Instructions before it is used.

- Properly ground dryer to conform with all governing codes and ordinances. Follow details in Installation Instructions.
- Install or store where it will not be exposed to temperatures below freezing or exposed to the weather.
- Connect to a properly rated, protected and sized power supply circuit to avoid electrical overload.
- Remove all sharp packing items and dispose of all shipping materials properly.

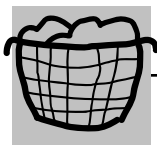
Exhaust/Ducting:

- 1 This dryer **MUST** be exhausted to the outside.
- 2 Use only rigid metal 4" diameter ductwork inside the dryer cabinet. Use only rigid metal or flexible metal 4" diameter ductwork for exhausting to the outside. **USE OF PLASTIC OR OTHER COMBUSTIBLE DUCTWORK CAN CAUSE A FIRE. PUNCTURED DUCTWORK CAN CAUSE A FIRE IF IT COLLAPSES OR BECOMES OTHERWISE RESTRICTED IN USE OR DURING INSTALLATION.**

For complete details, follow the Installation Instructions.

IMPORTANT SAFETY INFORMATION. READ ALL INSTRUCTIONS BEFORE USING.

⚠ WARNING!



YOUR LAUNDRY AREA

- Keep the area underneath and around your appliances free of combustible materials, such as lint, paper, rags and chemicals.
- Keep the floor around your appliances clean and dry to reduce the possibility of slipping.
- Keep area around the exhaust opening and surrounding areas free from the accumulation of lint, dust and dirt.
- Do not obstruct the flow of ventilating air. Do not stack or place laundry or throw rugs against the front or back of the dryer.
- Close supervision is necessary if this appliance is used by or near children. Do not allow children to play on, with or inside this or any other appliance.
- Keep all laundry aids (such as detergents, bleaches, etc.) out of the reach of children, preferably in a locked cabinet. Observe all warnings on container labels to avoid injury.
- Never climb on or stand on the dryer top.



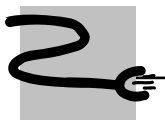
WHEN USING YOUR DRYER

- Never reach into the dryer while the drum is moving. Before loading, unloading or adding clothes, wait until the drum has completely stopped.
- **Clean the lint filter before each load** to prevent lint accumulation inside the dryer or in the room. **DO NOT OPERATE THE DRYER WITHOUT THE LINT FILTER IN PLACE, UNLESS THE DRYING RACK IS IN USE.** Always replace the lint screen when finished using the drying rack.
- Do not wash or dry articles that have been cleaned in, washed in, soaked in or spotted with combustible or explosive substances (such as wax, oil, paint, gasoline, degreasers, dry-cleaning solvents, kerosene, etc.). These substances give off vapors that may ignite or explode. Do not add these substances to the wash water. Do not use or place these substances around your washer or dryer during operation.
- Any article on which you have used a cleaning solvent or that contains flammable materials (such as cleaning cloths, mops, towels used in beauty salons, restaurants or barber shops, etc.) must not be placed in or near the dryer until solvents or flammable materials have been removed. There are many highly flammable items used in homes such as acetone, denatured alcohol, gasoline, kerosene, some household cleaners, some spot removers, turpentine, waxes, wax removers and products containing petroleum distillates.
- The laundry process can reduce the flame retardancy of fabrics. To avoid such a result, carefully follow the garment manufacturer's care instructions.
- Do not dry articles containing rubber, plastic or similar materials such as padded bras, tennis shoes, galoshes, bath mats, rugs, bibs, baby pants, plastic bags and pillows that may melt or burn. Some rubber materials, when heated, can under certain circumstances produce fire by spontaneous combustion.
- Do not store plastic, paper or clothing that may burn or melt on top of the dryer during operation.
- Garments labeled *Dry Away from Heat* or *Do Not Tumble Dry* (such as life jackets containing kapok) must not be put in your dryer.
- Do not dry fiberglass articles in your dryer. Skin irritation could result from the remaining particles that may be picked up by clothing during subsequent dryer uses.
- To minimize the possibility of electric shock, unplug this appliance from the power supply or disconnect the dryer at the household distribution panel by removing the fuse or switching off the circuit breaker before attempting any maintenance or cleaning (except the removal and cleaning of the lint filter). **NOTE:** Pressing the **PAUSE** button does **NOT** disconnect the appliance from the power supply.
- Do not spray any type of aerosol into, on or near dryer at any time.
- Do not place items exposed to cooking oils in your dryer. Items contaminated with cooking oils may contribute to a chemical reaction that could cause a clothes load to catch fire.



WARNING!

- Never attempt to operate this appliance if it is damaged, malfunctioning, partially disassembled or has missing or broken parts, including a damaged cord or plug.
- The interior of the machine and the exhaust duct connection inside the dryer should be cleaned at least once a year by a qualified technician. See the *Loading and Using the Dryer* section. Do not use any type of spray cleaner when cleaning dryer interior. Hazardous fumes or electrical shock could occur.
- If yours is a gas dryer, it is equipped with an automatic electric ignition and does not have a pilot light. **DO NOT ATTEMPT TO LIGHT WITH A MATCH.** Burns may result from having your hand in the vicinity of the burner when the automatic ignition turns on.
- You may wish to soften your laundered fabrics or reduce the static electricity in them by using a dryer-applied fabric softener or an antistatic conditioner. We recommend you use either a fabric softener in the wash cycle, according to the manufacturer's instructions for those products, or try a dryer-added product for which the manufacturer gives written assurance on the package that their product can be safely used in your dryer. Service or performance problems caused by use of these products are the responsibility of the manufacturers of those products and are not covered under the warranty to this appliance.



WHEN NOT USING YOUR DRYER

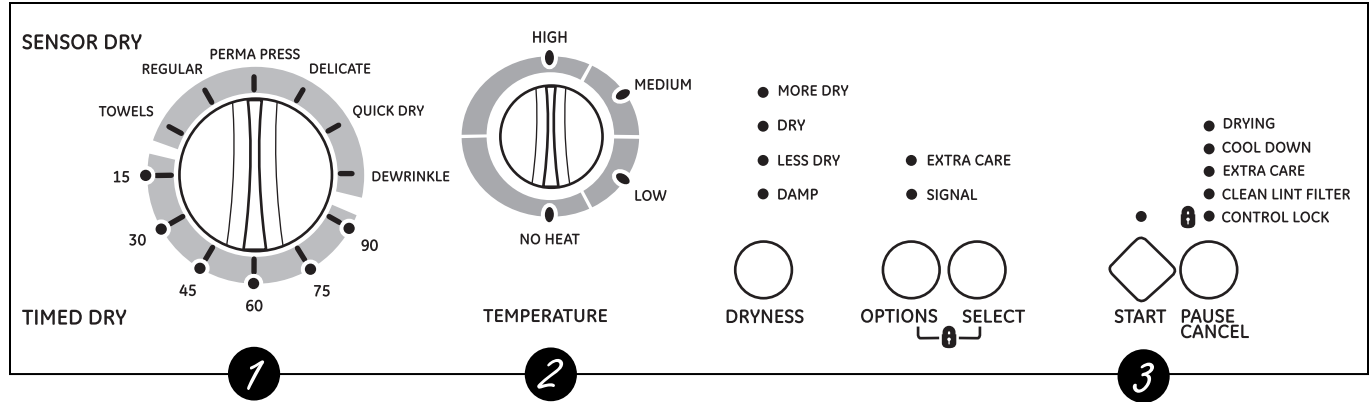
- Grasp the plug firmly when disconnecting this appliance to avoid damage to the cord while pulling. Place the cord away from traffic areas so it will not be stepped on, tripped over or subjected to damage.
- Do not attempt to repair or replace any part of this appliance or attempt any servicing unless specifically recommended in this Owner's Manual or in published user-repair instructions that you understand and have the skills to carry out.
- Before discarding a dryer, or removing it from service, remove the dryer door to prevent children from hiding inside.
- Do not tamper with controls.



READ AND FOLLOW THIS SAFETY INFORMATION CAREFULLY.

SAVE THESE INSTRUCTIONS

About the dryer control panel.



Control Settings

1 Drying Cycles

The **REGULAR**, **PERMA PRESS** and **DELICATE** cycles automatically sense fabric dryness. Select **MORE DRY** for heavier fabrics, **LESS DRY** for lighter fabrics. The **TIMED DRY** cycle will run for a selected time.

TOWELS For towels and heavy cottons.

REGULAR For regular to heavy cottons.

PERM PRESS For wrinkle-free, permanent press and delicate items.

DELICATES For lingerie and special-care fabrics.

QUICK DRY For small loads that are needed in a hurry, such as sports and school uniforms. Can also be used if the previous cycle left some items damp, such as collars or waistbands.

DEWRINKLE For removing wrinkles from items that are dry or slightly damp. This cycle is not recommended for delicate fabrics.

TIMED DRY Set the Cycle Selector at the desired drying time.

2 Fabric Care

HIGH For regular to heavy cottons.

MEDIUM For synthetics, blends and items labeled *permanent press* or *tumble dry medium heat*.

LOW For knits, delicates, synthetics and items labeled *tumble dry low heat*.

NO HEAT For *fluffing* items without heat. Use the **TIMED DRY** cycle.

3 Start

Close the dryer door. Select **START**. Opening the door during operation will stop the dryer. To restart the dryer, close the door and select **START** to complete the cycle.

Control Lock

To prevent accidentally starting or stopping the dryer, press **OPTIONS** and **SELECT** at the same time until the Control Lock indicator is lighted. To unlock the controls, press **OPTIONS** and **SELECT** again.

About your dryer features.

Signal Option

When the signal is on it will sound just before the end of the cycle to remind you to remove the clothes.

If the dried load cannot be removed promptly during the cycle, the Cycle Selector will advance to the **EXTENDED COOL DOWN** setting. Unheated tumbling continues during **EXTENDED COOL DOWN** and **WRINKLE CARE** (on some models) for 40 minutes to help reduce wrinkling. When the **CYCLE SIGNAL** is on, it will sound briefly every five minutes as a reminder to remove the load.

NOTE:

- If items are removed before the end of the cycle, press the **CANCEL** button twice.
- Remove garments promptly at the sound of the signal. Place clothes on hangers so wrinkles won't set in.
- Use the Cycle Signal especially when drying fabrics like polyester knits and permanent press. These fabrics should be removed so wrinkles won't set in.

Wrinkle Care

Use this option to minimize the wrinkles in clothes. It provides approximately 15 minutes of no-heat tumbling after the clothes are dry.

This option can only be used with the **PERMA PRESS** and **DELICATE** cycles.

Replacing the Dryer Light Bulb

⚠ WARNING: To reduce the risk of electric shock, disconnect this appliance from the power supply before attempting any user maintenance. Turning the controls to the **OFF** position does not disconnect this appliance from the power supply.

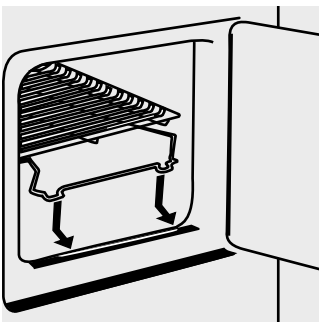
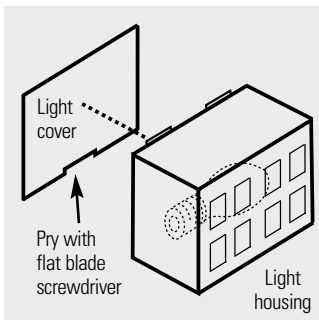
The dryer light is located above the dryer door opening.

Before replacing the light bulb, be sure to unplug the dryer power cord or disconnect the dryer at the household distribution

panel by removing the fuse or switching off the circuit breaker.

To replace the dryer light:

- 1 Using a small flat blade screwdriver, pry the bottom of the *light cover* out and off the *light housing*.
- 2 Unscrew the bulb when cool and replace it with an appliance bulb of the same or lower wattage.
- 3 Snap the *light cover* back on the *light housing*.



Drying Rack (on some models)

A handy drying rack may be used for drying articles such as stuffed toys, pillows or washable sweaters.

- 1 Remove the lint screen.
- 2 Place the front bar under the lip of the lint screen opening.
- 3 When items are dry, remove the rack and replace the lint screen. **DO NOT OPERATE THE DRYER WITHOUT THE LINT SCREEN IN PLACE UNLESS THE DRYING RACK IS IN PLACE.**

NOTE:

- The drying rack must be used with the **TIMED DRY** cycle.
- Do not use this drying rack when there are other clothes in the dryer.

Loading and using the dryer.

Always follow the fabric manufacturer's care label when laundering.



Sorting and Loading Hints

As a general rule, if clothes are sorted properly for the washer, they are sorted properly for the dryer.

Do not add fabric softener sheets once the load has become warm. They may cause fabric softener stains. Bounce® Fabric Conditioner Dryer Sheets have been approved for use in all GE Dryers when used in accordance with the manufacturer's instructions.

Do not overload. This wastes energy and causes wrinkling.

Do not dry the following items: fiberglass items, woolens, rubber-coated items, plastics, items with plastic trim and foam-filled items.



Care and Cleaning of the Dryer

The Exterior: Wipe or dust any spills or washing compounds with a damp cloth. Dryer control panel and finishes may be damaged by some laundry pretreatment soil and stain remover products. Apply these products away from the dryer. The fabric may then be washed and dried normally. Damage to your dryer caused by these products is not covered by your warranty.

The Lint Screen: Clean the lint screen before each use. Lint buildup in the screen restricts air flow, which causes longer drying times. The screen is located at the bottom of the door opening. Remove by pulling straight up. Remove the lint and replace the screen.

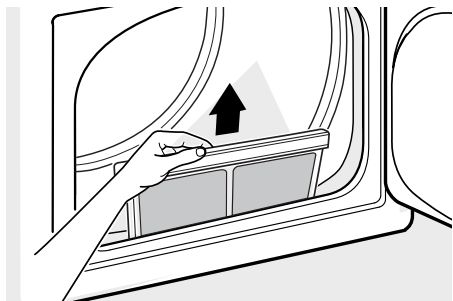
A waxy buildup may form on the lint screen from using dryer-added fabric softener sheets. To remove this buildup, wash the lint screen in warm, soapy water. Dry thoroughly and replace. Do not operate the dryer without the lint screen in place.

The Exhaust Duct: Inspect and clean the exhaust ducting at least once a year to prevent clogging. A partially clogged exhaust can lengthen the drying time.

Follow these steps:

- 1 Turn off electrical supply by disconnecting the plug from the wall socket.
- 2 Disconnect the duct from the dryer.
- 3 Vacuum the duct with the hose attachment and reconnect the duct.

The Exhaust Hood: Check from the outside that the flaps of the hood move freely when operating. Make sure that there is no wildlife (birds, insects, etc.) nesting inside the duct or hood.



Installation Instructions

Spacemaker Dryer

Model DSXH47

If you have any questions, call 800.GE.CARES (800.432.2737) or visit our Website at: GEAppliances.com

BEFORE YOU BEGIN

Read these instructions completely and carefully.

- **IMPORTANT** — Save these instructions for local inspector's use.
- **IMPORTANT** — Observe all governing codes and ordinances.
- **Note to Installer** — Be sure to leave these instructions with the Consumer.
- **Note to Consumer** — Keep these instructions for future reference.
- **Skill level** — Installation of this appliance requires basic mechanical and electrical skills.
- **Completion time** — 1–3 hours
- Proper installation is the responsibility of the installer.
- Product failure due to improper installation is not covered under the Warranty.
- Remove and discard existing plastic or metal foil duct and replace with UL-listed duct.

IN THE COMMONWEALTH OF MASSACHUSETTS

- This product must be installed by a licensed plumber or gas fitter.
- When using ball-type gas shut-off valves, they shall be the T-handle type.
- A flexible gas connector, when used, must not exceed 3 feet.

CALIFORNIA SAFE DRINKING WATER AND TOXIC ENFORCEMENT ACT

This act requires the governor of California to publish a list of substances known to the state to cause cancer, birth defects or other reproductive harm and requires businesses to warn customers of potential exposure to such substances. Gas appliances can cause minor exposure to four of these substances, namely benzene, carbon monoxide, formaldehyde and soot, caused primarily by the incomplete combustion of natural gas or LP fuels. Properly adjusted dryers will minimize incomplete combustion. Exposure to these substances can be minimized further by properly venting the dryer to the outdoors.

FOR YOUR SAFETY:

WARNING

- To reduce the risk of severe injury or death, follow all installation instructions.
- Clothes dryer installation must be performed by a qualified installer.
- Install the clothes dryer according to these instructions and in accordance with local codes.
- This dryer must be exhausted to the outdoors.
- Use only 4" (10 cm) rigid metal ducting for exhausting the clothes dryer to the outdoors.
- DO NOT install a clothes dryer with flexible plastic ducting materials. If flexible metal (semi-rigid or foil-type) duct is installed, it must be UL-listed and installed in accordance with the instructions found in "Connecting the Dryer to House Vent" on page 12 of this manual. Flexible ducting materials are known to collapse, be easily crushed, and trap lint. These conditions will obstruct dryer airflow and increase the risk of fire.
- Do not install or store this appliance in any location where it could be exposed to water and or weather.
- Save these instructions. (Installers: Be sure to leave these instructions with the customer.)
- The National Fuel Gas code restricts installations of **gas appliances** in garages. They must be 18" (45.7 cm) off the ground and protected from vehicles by a barrier. See *Location of Your Dryer* section.
- The **electrical service** to the dryer must conform with local codes and ordinances and the latest edition of the National Electrical Code, ANSI/NFPA 70 or in Canada, CSA C22.1 Canadian Electrical Code Part 1.
- The **gas service** to the dryer must conform with local codes and ordinances or the latest edition of the National Fuel Gas Code ANSI Z223.1 or in Canada, CAN/CGA B149.12. The gas dryer is designed under ANSI Z 21.5.1 or ANSI/UL2158–CAN/CSA C22.2 (latest editions) for **home use only**. This dryer is not recommended for commercial applications such as restaurants or beauty salons.

Installation Instructions

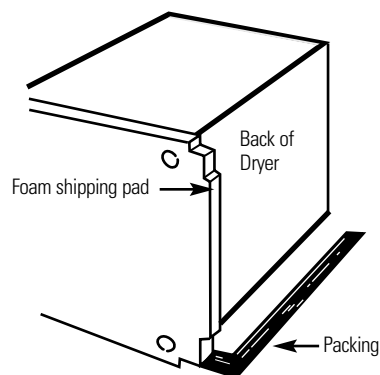
TOOLS AND MATERIALS YOU WILL NEED

- Phillips head screwdriver
- Adjustable pliers (adjust leveling legs)
- Carpenter's level
- Flat or straight blade screwdriver (may be needed for cord strain relief)
- Duct tape
- Rigid or UL-listed flexible metal 4" (10.2 cm) duct
- Vent hood
- 1/4" nut driver (remove terminal block access cover and install cord) **(ELECTRIC DRYER)**
- Pipe thread sealer **(GAS DRYER)**
- UL-listed strain relief (may be supplied with cord)
- UL-listed 30A, 240V, 3-wire, #10 AWG minimum conductor power cord (existing structure)
- UL-listed 30A, 240V, 4-wire, #10 AWG minimum conductor power cord is required (new construction)
- Flexible stainless steel or plastic-coated brass connecting tube (if allowed by building code) **(GAS DRYER)**
- Open-end wrenches for flexible tube and connector **(GAS DRYER)**

PREPARING THE INSTALLATION SITE AND UNPACKING YOUR DRYER

1. Prepare the area and exhaust for installation of the new dryer.
2. Check to be sure that the existing external exhaust is clean and that it meets attached installation specifications.
3. Place the four corner posts from the shipping carton on the floor, parallel to each other, 2–3" apart. Carefully lay the dryer on its left side on top of the corner posts. Remove the foam shipping pad.

⚠ CAUTION: To prevent damage, do not use the control panel as a means to pick up or move the dryer.



4. Return the dryer to an upright position.
5. Move the dryer to the desired location.
6. Connect the external exhaust.
7. Adjust the leveling legs to match the washer height. The dryer must be level and rest firmly on all four leveling legs.
8. Connect the power supply.
9. Check the operation of the power supply and venting.
10. Place the Owner's Manual and the Installation Instructions in a location where they will be noticed by the owner.

Installation Instructions

Read these instructions completely and carefully.

ELECTRICAL CONNECTION INFORMATION FOR ELECTRIC DRYERS

⚠ WARNING – To reduce the risk of fire, electric shock or personal injury:

- DO NOT USE AN EXTENSION CORD WITH THIS APPLIANCE.
- THIS APPLIANCE MUST BE PROPERLY GROUNDED.

This dryer must be electrically grounded in accordance with local codes and ordinances, or in the absence of local codes, in accordance with the NATIONAL ELECTRICAL CODE, ANSI/NFPA NO. 70.

Electrical Requirements

- This dryer must be connected to a 208V or 240V individual branch circuit, protected by 30-amp circuit breakers or time-delay fuses.
- Power supply: 3-wire 240-volt, single-phase, 60-Hz, Alternating Current.
- Use copper conductors only.
- If the electric supply does not meet the above specifications, call a licensed electrician.

NOTE: A wiring diagram is located under the top panel.

ELECTRICAL CONNECTION INFORMATION FOR GAS DRYERS

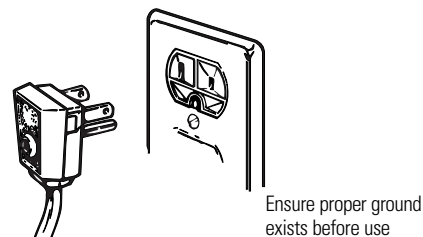
⚠ WARNING – To reduce the risk of fire, electric shock or personal injury:

- DO NOT USE AN EXTENSION CORD OR AN ADAPTER PLUG WITH THIS APPLIANCE.
- DO NOT, UNDER ANY CIRCUMSTANCES, CUT OR REMOVE THE THIRD GROUNDING PRONG FROM THE POWER CORD.

This dryer must be electrically grounded in accordance with local codes and ordinances, or in the absence of local codes, in accordance with the NATIONAL ELECTRICAL CODE, ANSI/NFPA NO. 70.

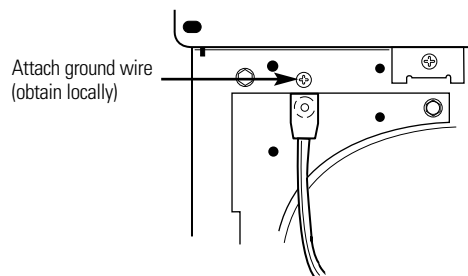
Electrical Requirements

- This dryer must be supplied with 120V, 60-Hz, and connected to a properly grounded branch circuit, protected by a 15- or 20-amp circuit breaker or time-delay fuse.
- If the electric supply provided does not meet the above specifications, it is recommended that a licensed electrician install an approved outlet.



External Ground (if required)

An external ground wire (not provided), which meets local codes, may be added by attaching it to the green ground screw on the rear of the dryer in the upper left corner above the cord, and to grounded metal cold water pipe or other established ground.



NOTE: A wiring diagram is located under the top panel.

Installation Instructions

EXHAUST SYSTEM CHECKLIST

HOOD OR WALL CAP

- Terminate in a manner to prevent back drafts or entry of birds or other wildlife.
- Termination should present minimal resistance to the exhaust airflow and should require little or no maintenance to prevent clogging.
- Never install a screen in or over the exhaust duct.
- Wall caps must be installed at least 12" above ground level or any other obstruction with the opening pointed down.

SEPARATION OF TURNS

- For best performance, separate all turns by at least 4 ft. of straight duct, including distance between last turn and dampened wall cap.

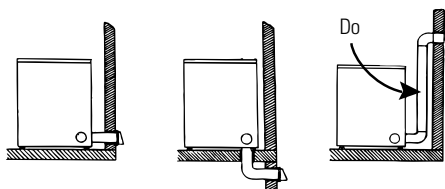
SEALING OF JOINTS

- All joints should be tight to avoid leaks. The male end of each section of duct must point away from the dryer.
- Do not assemble the ductwork with fasteners that extend into the duct. They will serve as a collection point for lint.
- Duct joints should be made air- and moisture-tight by wrapping the overlapped joints with duct tape or aluminum tape.
- Horizontal runs should slope down towards the outdoors 1/4" per foot.

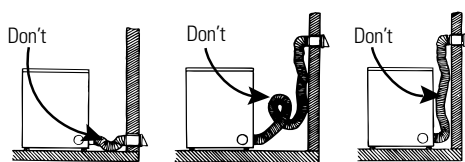
INSULATION

- Ductwork that runs through an unheated area or is near air conditioning should be insulated to reduce condensation and lint buildup.

Correct



Incorrect



⚠ WARNING To reduce the risk of fire or personal injury:

- This clothes dryer must be exhausted to the outdoors.
- Use only 4" rigid metal ducting for the home exhaust duct.
- Use only 4" rigid metal or UL-listed flexible metal (semi-rigid or foil-type) duct to connect the dryer to the home exhaust duct. It must be installed in accordance with the instructions found in "Connecting the Dryer to House Vent" on this page.
- Do not terminate exhaust in a chimney, a wall, a ceiling, gas vent, crawl space, attic, under an enclosed floor, or in any other concealed space of a building.

⚠ WARNING

- Never terminate the exhaust into a common duct with a kitchen exhaust system. A combination of grease and lint creates a potential fire hazard.
- Do not use duct longer than specified in the exhaust length table. Longer ducts can accumulate lint, creating a potential fire hazard.
- Never install a screen in or over the exhaust duct. This will cause lint to accumulate, creating a potential fire hazard.
- Do not assemble ductwork with any fasteners that extend into the duct. These fasteners can accumulate lint, creating a potential fire hazard.
- Do not obstruct incoming or exhausted air.
- Provide an access for inspection and cleaning of the exhaust system, especially at turns and joints. Exhaust system shall be inspected and cleaned at least once a year.

CONNECTING THE DRYER TO HOUSE VENT

RIGID METAL TRANSITION DUCT

- For best drying performance, a rigid metal transition duct is recommended.
- Rigid metal transition ducts reduce the risk of crushing and kinking.

UL-LISTED FLEXIBLE METAL (SEMI-RIGID) TRANSITION DUCT

- If rigid metal duct cannot be used, then UL-listed flexible metal (semi-rigid) ducting can be used (Kit WX08X10077).
- Never install flexible metal duct in walls, ceilings, floors or other enclosed spaces.
- Total length of flexible metal duct should not exceed 8 feet (2.4 m).
- For many applications, installing elbows at both the dryer and the wall is highly recommended (see illustrations at right). Elbows allow the dryer to sit close to the wall without kinking and/or crushing the transition duct, maximizing drying performance.
- Avoid resting the duct on sharp objects.

UL-LISTED FLEXIBLE METAL (FOIL-TYPE) TRANSITION DUCT

- In special installations, it may be necessary to connect the dryer to the house vent using a flexible metal (foil-type) duct. A UL-listed flexible metal (foil-type) duct may be used ONLY in installations where rigid metal or flexible metal (semi-rigid) ducting cannot be used AND where a 4" diameter can be maintained throughout the entire length of the transition duct.
- In Canada and the United States, only the flexible metal (foil-type) ducts that comply with the "Outline for Clothes Dryer Transition Duct, Subject 2158A" shall be used.

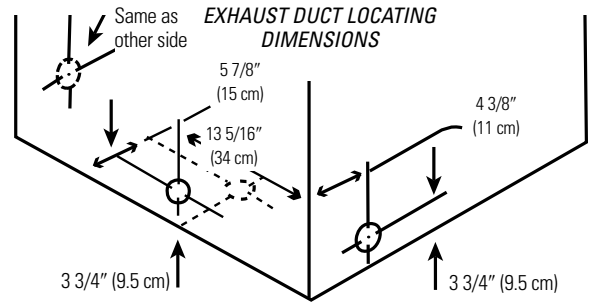
Installation Instructions

CONNECTING THE DRYER TO HOUSE VENT (CONT.)

- Never install flexible metal duct in walls, ceilings, floors or other enclosed spaces.
- Total length of flexible metal duct should not exceed 8 feet (2.4 m).
- Avoid resting the duct on sharp objects.
- For best drying performance:
 1. Slide one end of the duct over the clothes dryer outlet pipe.
 2. Secure the duct with a clamp.
 3. With the dryer in its permanent position, extend the duct to its full length. Allow 2" of duct to overlap the exhaust pipe. Cut off and remove excess duct. Keep the duct as straight as possible for maximum airflow.
 4. Secure the duct to the exhaust pipe with the other clamp.

EXHAUST DIRECTION

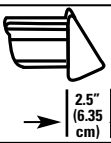
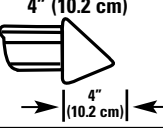

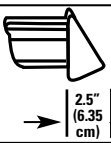
All dryers are shipped set up for rear exhausting. On electric dryers, exhausting can be on the cabinet right or left side, or through the dryer bottom. Gas dryers can exhaust on the cabinet right side or the dryer bottom. To change exhaust direction you will need Exhaust Kit Pub. No. 14-A018 and a rigid metal 4" 90-degree elbow. The kit is available through your GE retailer. Follow the instructions supplied with the kit.



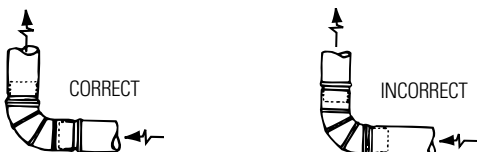
EXHAUST DUCTING LENGTH

The exhaust system should be inspected and cleaned a minimum of every year with normal usage. The more the dryer is used, the more often you should check the exhaust system and vent hood for proper operation.

- **DO NOT** assemble the duct work with fasteners that extend into the duct. They will serve as collection points for lint.
- Insulation – Ductwork which runs through an unheated area or is near an air conditioning duct should be insulated to reduce condensation and lint buildup.

Number of 90° turns	MAXIMUM LENGTH of 4" (10.2 cm) Dia. RIGID METAL DUCT		
	PREFERRED VENT HOOD TYPE		
	4" (10.2 cm)	Louvered	
0			
1	60' (18.28 m)	48' (14.63 m)	40' (12.19 m)
2	52' (15.84 m)	40' (12.19 m)	32' (9.75 m)
3	44' (13.41 m)	32' (9.75 m)	24' (7.31 m)
4	32' (9.75 m)	24' (7.31 m)	16' (4.87 m)

INSTALL MALE FITTINGS IN CORRECT DIRECTION



GAS SUPPLY REQUIREMENTS

Replace brass connecting pipe that is not plastic-coated. Stainless steel or plastic-coated brass **MUST** be used.

⚠ WARNING: Never reuse old flexible connectors. The use of old flexible connectors can cause gas leaks and personal injury. Always use **NEW** flexible connectors when installing a gas appliance.

1. Installation **MUST** conform with local codes, or in the absence of local codes, with the National Fuel Gas Code, ANSI Z223.1 (latest edition).
2. The gas supply line should be of 1/2" (1.27 cm) rigid pipe.
3. If codes allow, flexible metal tubing may be used to connect your dryer to the gas supply line. The tubing **MUST** be constructed of stainless steel or plastic-coated brass.
4. The gas supply line **MUST** have an individual shutoff valve.
5. A 1/8" (0.32 cm) NPT plugged tapping, accessible for test gauge connection, **MUST** be installed immediately upstream of the gas supply connection to the dryer.
6. The dryer **MUST** be disconnected from the gas supply piping system during any pressure testing of the gas supply piping system at test pressures in excess of 1/2 psig (3.45 kPa).
7. The dryer **MUST** be isolated from the gas supply piping system during any pressure testing of the gas supply piping system at test pressures equal to or less than 1/2 psig (3.45 kPa).

Installation Instructions

LOCATION OF YOUR DRYER

Do Not Install the Dryer:

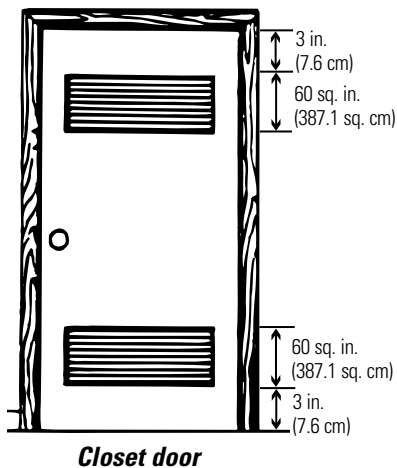
1. Do not install the dryer in an area exposed to dripping water or outside weather conditions.
2. Do not install the dryer in an area where it will come in contact with curtains, drapes or anything that will obstruct the flow of combustion and ventilation air.
3. Do not install the dryer on carpet.
Floor **MUST** be solid with a maximum slope of 1" (2.54 cm).

Undercounter Installation:

If an undercounter installation is desired, a custom-sized countertop is required (36" to the underside of the countertop). No special dryer top is required.

Installation in Recess or Closet:

1. This dryer **MUST** be exhausted outdoors.
2. No other fuel burning appliance shall be installed in the same closet as the **GAS DRYER**.
3. Your dryer needs the space around it for proper ventilation. **DO NOT INSTALL YOUR DRYER IN A CLOSET WITH A SOLID DOOR.**
4. Closet doors must be louvered or otherwise ventilated and must contain a minimum of 60 sq. in. of open area equally distributed. If the closet contains both a washer and a dryer, doors must contain a minimum of 120 sq. in. of open area equally distributed. Air openings are required to be unobstructed when a door is installed. A louvered door with equivalent air openings for the full length of the door is acceptable.

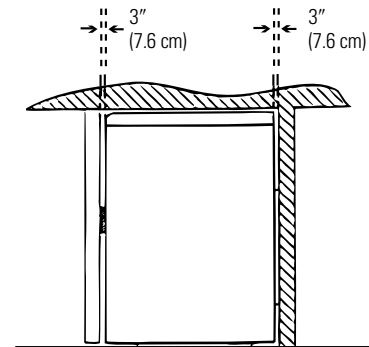
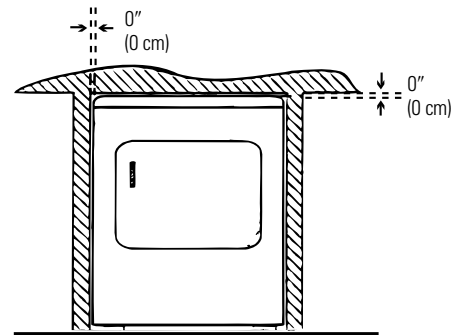


Allow the following clearances for ease of installation:

	FRONT	SIDES	REAR	TOP
Alcove, stack, undercounter or closet	3" (7.6 cm)	0 (0 cm)	3" (7.6 cm)	0 (0 cm)

THIS DRYER MUST BE EXHAUSTED OUTDOORS.

5. The following illustrations show minimum clearance dimensions for proper operation in a recess or closet installation.



STACKED INSTALLATION

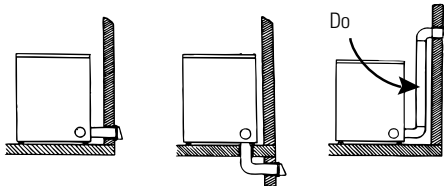
If a stacked washer/dryer installation is desired, you **MUST** use Stacking Kit WE25X10020. This kit is available through your GE retailer.

Installation Instructions

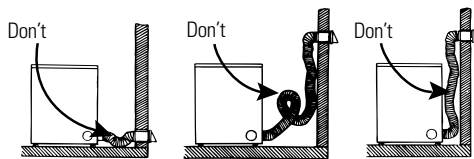
MOBILE HOME INSTALLATION

1. Dryer **MUST** be exhausted outside (outdoors, not beneath the mobile home) using metal ducting that will not support combustion. Metal ducting must be 4" (10.16 cm) in diameter with no obstructions. Rigid metal duct is preferred.
2. If the dryer is exhausted through the floor, the exhaust system **MUST NOT** terminate beneath the mobile home. Termination **MUST** be securely fastened to the mobile home structure.
3. When installing a gas dryer into a mobile home, a provision must be made for outside make-up air. This provision is to be not less than twice the area of the dryer exhaust outlet.
4. Gas dryers **MUST** be fastened to the floor using Mobile Home Installation Kit Pub. No. 14-D346-33.
5. See the *Exhaust System Checklist* section for other important venting information.
6. Installation **MUST** conform to current Manufactured Home Construction & Safety Standard (which is a Federal Regulation Title 24 CFR—Part 32-80) or, when such standard is not applicable, with American National Standard for Mobile Homes, ANSI/NFPA No. 501B.

Correct

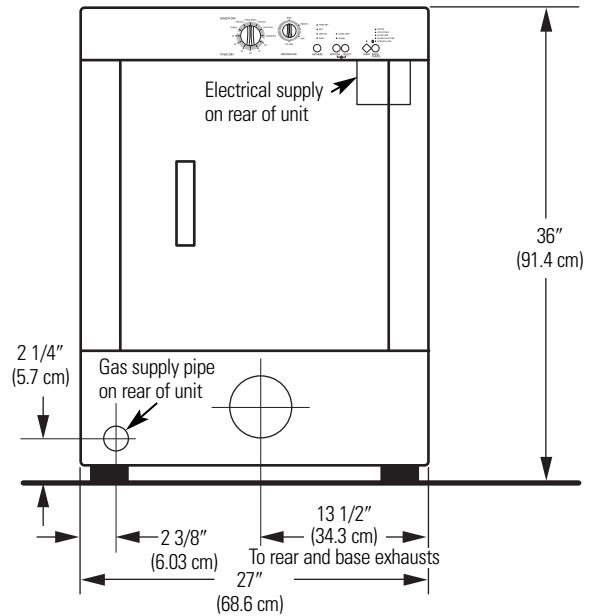


Incorrect

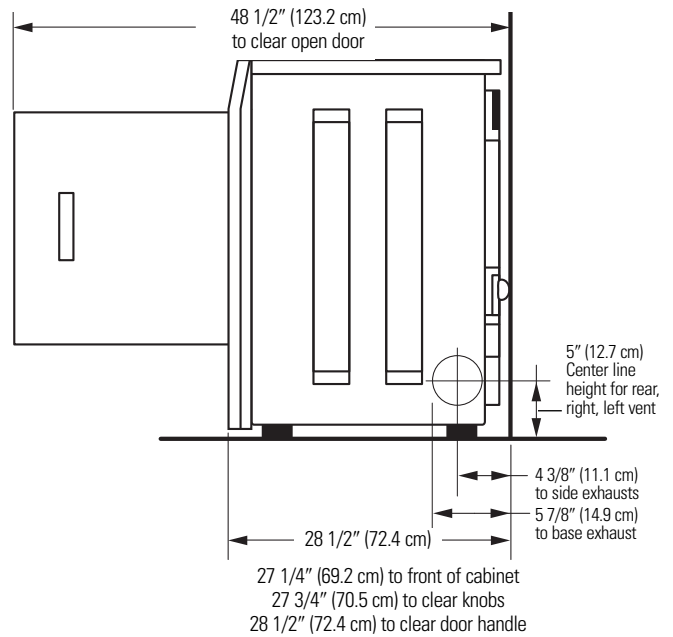


The dryer is designed under ANSI Z 21.5.1.

ROUGH-IN DIMENSIONS



FRONT VIEW



SIDE VIEW

SERVICING – Consideration must be given to provide adequate clearances for installation and servicing.

Installation Instructions

ELECTRICAL INSTALLATION FOR ELECTRIC DRYERS

⚠ WARNING: The following are specific requirements for proper and safe electrical installation of your dryer. Failure to follow these instructions can create electrical shock and/or a fire hazard.

This appliance **MUST** be properly grounded. Electrical shock can result if the dryer is not properly grounded. Follow the instructions in this manual for proper grounding.

DO NOT use an extension cord with this dryer. Some extension cords are not designed to withstand the amounts of electrical current this dryer utilizes and can melt, creating electrical shock and/or fire hazard. Locate the dryer within reach of the wall outlet, taking into account the length of power cord to be purchased and allowing some slack in the cord. Refer to *Electrical Requirements* in this manual for the proper power cord to be purchased.

A UL-listed strain relief must be installed onto power cord. If the strain relief is not attached, the cord can be pulled out of the dryer and can be cut by any movement of the cord, resulting in electrical shock.

NOTE: Dryers operating on 208-volt power supply will have longer drying times than those operating on 240-volt power supply.

A wiring diagram is located under the top panel.

GROUNDING REQUIREMENTS

⚠ WARNING: Improper connection of the equipment-grounding conductor can result in a risk of electric shock. Check with a licensed electrician if you are in doubt as to whether the appliance is properly grounded.

The dryer **MUST** be grounded. In the event of a malfunction or breakdown, grounding will reduce the risk of electrical shock by creating a path of least resistance for electrical current.

Grounding must be in accordance with local codes and ordinances, or in the absence of local codes, in accordance with the National Electrical Code ANSI/NFPA No. 70.

For a grounded, cord-connected electric dryer: If your dryer is equipped with a power supply cord having an equipment-grounding conductor and a grounding plug, the plug **MUST** be plugged into an appropriate, copper-wired receptacle, in accordance with all local codes and ordinances. If in doubt, call a licensed electrician.

For a permanently connected electric dryer:

- The dryer **MUST** be connected to a grounded metal, permanent wiring system; or an equipment-grounding conductor must be run with the circuit conductors and connected to the equipment-grounding terminal or lead on the appliance.

For a grounded, cord-connected gas dryer:

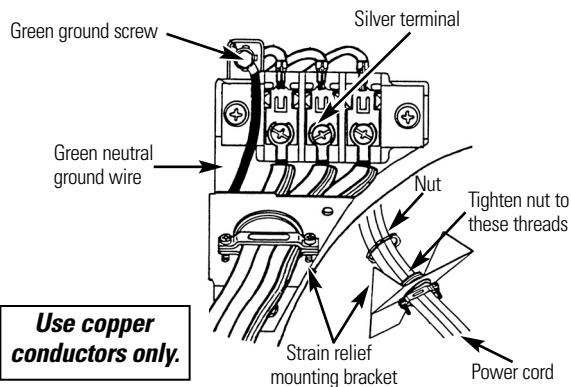
- This dryer is equipped with a three-prong (grounding) plug for your protection against shock hazard and should be plugged directly into a properly grounded three-prong receptacle. Do not cut or remove the grounding prong from this plug. Do not modify the plug on this appliance. If it will not fit the outlet, have a proper outlet installed by a qualified electrician.

Installation Instructions

3-WIRE SYSTEM FOR ELECTRIC DRYERS

DO NOT use for Mobile Home Installations.
NOT for use on new construction.

1. Remove the screws securing the terminal block access cover and the strain relief mounting bracket located on the back of the dryer upper corner.
2. Install a UL-listed strain relief into the power cord entry hole of the mounting bracket. Finger-tighten the nut only at this time.



3. Thread a UL-listed 30A, 240V, 3 #10 AWG minimum copper conductor power cord through the strain relief.
4. Attach the power cord neutral (center wire) conductor to the silver-colored center terminal on the terminal block. Tighten the screw securely.
5. Attach the remaining two power cord outer conductors to the outer brass-colored terminals on the terminal block. Tighten both screws securely.

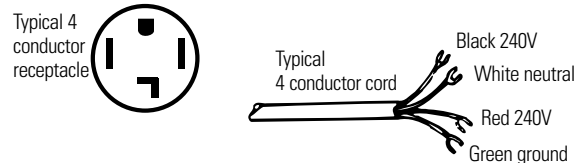
⚠ WARNING: Do not make a sharp bend or crimp wiring/conductor at connections.

6. Reattach the strain relief mounting bracket to the back of the dryer with screws provided. Tighten screws securely.
7. Tighten the screws securing the cord restraint firmly against the power cord.
8. Tighten the strain relief nut securely so that the strain relief does not turn.
9. Reinstall the terminal block access cover.

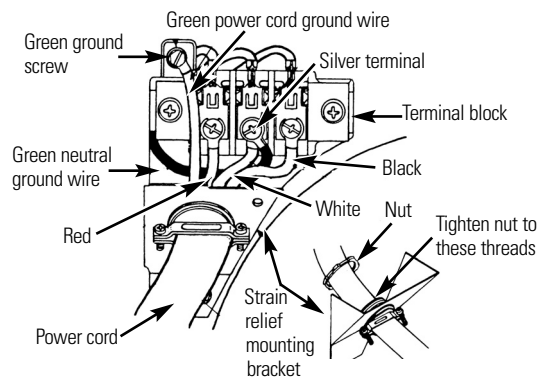
4-WIRE SYSTEM FOR ELECTRIC DRYERS

Effective January 1, 1996: The National Electrical Code requires that **new construction** (non existing) utilize a 4-wire connection to an electric dryer.

1. Remove the screws securing the terminal block access cover and the strain relief mounting bracket located on the back of the dryer upper corner.
2. Install a UL-listed strain relief in the entry hole of the mounting bracket. Finger-tighten the nut only at this time.
3. Remove the green neutral ground wire from the green ground screw located above the terminal block.



4. Thread a UL-listed 30A, 240V, 4 #10 AWG minimum copper conductor power cord through the strain relief.
5. Attach the green power cord ground wire to the cabinet with the green ground screw.
6. Attach the white (neutral) power cord conductor from the power cord and the green ground wire from the dryer harness to the silver-colored center terminal on the terminal block. Tighten the screw securely.
7. Attach the red and black power cord conductors to the outer brass-colored terminals on the terminal block.



⚠ WARNING: Do not make a sharp bend or crimp wiring/conductor at the connections.

8. Tighten the screws securing the cord restraint firmly against the power cord.
9. Tighten the strain relief nut securely so the strain relief does not turn.
10. Reinstall the terminal block access cover.

Installation Instructions

GAS CONNECTION FOR GAS DRYERS

1. Remove the shipping cap from gas pipe at the rear of the dryer.

Conversion to LP Gas: DO NOT connect the dryer to LP gas service without converting the gas valve. An LP conversion kit (Pub. No. 14-A038) **MUST** be installed by a qualified gas technician.

- a. Connect a 1/2" (1.27 cm) I.D. semi-rigid or approved pipe from gas supply line to the 3/8" (0.96 cm) pipe located on the back of the dryer. Use a 1/2" to 3/8" (1.27 cm to 0.96 cm) reducer for a connection. Apply an approved thread sealer that is resistant to the corrosive action of liquefied gases on all pipe connections.
- b. Open the shutoff valve in the gas supply line.
- c. Test all connections by brushing on a soapy water solution.

⚠ WARNING: NEVER TEST FOR GAS LEAKS WITH AN OPEN FLAME.

2. Connect the exhaust duct to outside exhaust system. Use duct tape to seal all joints.
3. With the dryer in its final position, adjust one or more of the legs until the dryer is resting solidly on all four legs. Place a level on top of the dryer. **THE DRYER MUST BE LEVEL AND RESTING SOLIDLY ON ALL FOUR LEGS.**
4. Plug the power cord into a grounded outlet. **NOTE:** Check to ensure the power is off at circuit breaker/fuse box before plugging the power cord into the outlet.
5. Turn on the power at the circuit breaker/fuse box.

⚠ CAUTION: Before operating the dryer, make sure the dryer area is clear and free from combustible materials, gasoline, and other flammable vapors. Also see that nothing (such as boxes, clothing, etc.) obstructs the flow of combustion and ventilation air.

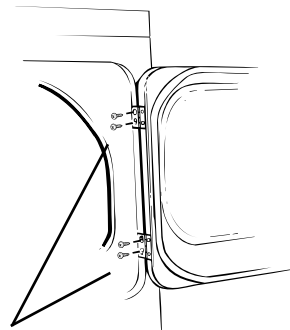
6. Run the dryer through a cycle check for proper operation.

NOTE: On gas dryers, before the burner will light, it is necessary for the gas line to be bled of air. If the burner does not light within 45 seconds the first time the dryer is turned on, the safety switch will shut the burner off. If this happens, turn the timer to **OFF** and wait 5 minutes before making another attempt to light.

7. If your dryer does not operate, please review the *Troubleshooting Tips* section in this manual before calling for service.
8. Place these instructions in a location near the dryer for future reference.

REVERSING THE DRYER DOOR SWING

1. Open the dryer door. Remove the 4 hinge hole plugs or screws from the left side of door opening. Place nearby for future installation. **NOTE:** *You may need a plastic knife to help pull out the plugs. Be careful not to scratch the paint.*
2. Remove the four screws that secure the door hinges to the dryer front panel. **NOTE:** *Remove 1 screw from each of the 2 hinges first. Hold the door firmly before removing the last 2 screws.*
3. Rotate the door 180° and reinstall the door hinges to the dryer front panel with the 4 screws.
4. Install the 4 hinge hole plugs or screws that were removed in step 1 into the open screw holes on the right side of the door opening.



Remove 4 screws—one from each hinge first

Before you call for service...



Troubleshooting Tips
 Save time and money! Review the charts on the following pages first and you may not need to call for service.

Problem	Possible Causes	What To Do
Dryer doesn't start	Dryer is unplugged	<ul style="list-style-type: none"> • Make sure the dryer plug is pushed completely into the outlet.
	Fuse is blown/circuit breaker is tripped	<ul style="list-style-type: none"> • Check the building's fuse/circuit breaker box and replace fuse or reset breaker. NOTE: Electric dryers use two fuses/breakers.
	Thermal limiter tripped	<ul style="list-style-type: none"> • Check the vent for any obstructions. Call authorized service person for replacement, if necessary.
Dryer doesn't heat	Fuse is blown/circuit breaker is tripped, the dryer may tumble but not heat	<ul style="list-style-type: none"> • Check the building's fuse/circuit breaker box and replace fuse or reset breaker. Your dryer may tumble if only one fuse is blown or one breaker tripped.
	Gas service is off	<ul style="list-style-type: none"> • Make sure gas shutoff at dryer and main shutoff are fully open.
	LP gas supply tank is empty or there has been a utility interruption of natural gas (gas models)	<ul style="list-style-type: none"> • Refill or replace tank. Dryer should heat when utility service is restored.
Dryer shakes or makes noise	Some shaking/noise is normal. Dryer may be sitting unevenly	<ul style="list-style-type: none"> • Move dryer to an even floor space, or adjust leveling legs as necessary until even.
Greasy spots on clothes	Improper use of fabric softener	<ul style="list-style-type: none"> • Follow directions on fabric softener package.
	Drying dirty items with clean ones	<ul style="list-style-type: none"> • Use your dryer to dry only clean items. Dirty items can stain clean items and the dryer.
	Clothes were not completely clean	<ul style="list-style-type: none"> • Sometimes stains which cannot be seen when the clothes are wet <i>appear</i> after drying. Use proper washing procedures before drying.
Lint on clothes	Lint filter is full	<ul style="list-style-type: none"> • Clean lint screen before each load.
	Improper sorting	<ul style="list-style-type: none"> • Sort lint producers (like chenille) from lint collectors (like corduroy).
	Static electricity can attract lint	<ul style="list-style-type: none"> • See suggestions in this section under <i>Static occurs</i>.
	Overloading	<ul style="list-style-type: none"> • Separate large loads into smaller ones.
	Paper, tissue, etc., left in pockets	<ul style="list-style-type: none"> • Empty all pockets before laundering clothes.

Before you call for service...

Problem	Possible Causes	What To Do
Static occurs	Overdrying	<ul style="list-style-type: none"> • Try a fabric softener. • Adjust controls for less drying.
	No fabric softener was used	<ul style="list-style-type: none"> • Try a fabric softener.
	Synthetics, permanent press and blends can cause static	<ul style="list-style-type: none"> • Try a fabric softener.
Inconsistent drying times	Type of heat	<ul style="list-style-type: none"> • Automatic drying times will vary according to the type of heat used (electric, natural or LP gas), size of load, types of fabrics, wetness of clothes and condition of exhaust ducts.
Clothes take too long to dry	Improper sorting	<ul style="list-style-type: none"> • Separate heavy items from lightweight items (generally, a well-sorted washer load is a well-sorted dryer load).
	Large loads of heavy fabrics (like beach towels)	<ul style="list-style-type: none"> • Large, heavy fabrics contain more moisture and take longer to dry. Separate large, heavy fabrics into smaller loads to speed drying time.
	Controls improperly set	<ul style="list-style-type: none"> • Match control settings to the load you are drying.
	Lint filter is full	<ul style="list-style-type: none"> • Clean lint filter before every load.
	Improper or obstructed ducting	<ul style="list-style-type: none"> • Check <i>Installation Instructions</i> for proper ducting/venting. • Make sure ducting is clean, free of kinks and unobstructed. • Check to see if outside wall damper operates easily. • Check the <i>Installation Instructions</i> to make sure the dryer venting is correct.
	Blown fuses or tripped circuit breaker	<ul style="list-style-type: none"> • Replace fuses or reset circuit breakers. Since most dryers use two fuses/breakers, make sure both are operating.
	Overloading/combining loads	<ul style="list-style-type: none"> • Do not put more than one washer load in the dryer at a time.
Clothes are wrinkled	Underloading	<ul style="list-style-type: none"> • If you are drying only one or two items, add a few items to ensure proper tumbling.
	Overdrying	<ul style="list-style-type: none"> • Select a shorter drying time. • Remove items while they still hold a slight amount of moisture. Select a LESS DRY setting.
	Letting items sit in dryer after cycle ends	<ul style="list-style-type: none"> • Remove items when cycle ends and fold or hang immediately.
	Overloading	<ul style="list-style-type: none"> • Separate large loads into smaller ones.
Clothes shrink	Some fabrics will naturally shrink when washed. Others can be safely washed, but will shrink in the dryer	<ul style="list-style-type: none"> • To avoid shrinkage, follow garment care labels exactly. • Some items may be pressed back into shape after drying. • If you are concerned about shrinkage in a particular item, do not machine wash or tumble dry it.

Error Codes

If the dryer stops, the status lights flash and the signal beeps, an error has occurred. Press PAUSE/CANCEL. Consult the Error Code Chart below for the possible cause and solution. Make the correction, select a cycle and press START. If the dryer stops, status lights flash again and the beeping continues, please contact service for assistance.

Error Code, Error	Possible Causes	What To Do
4 beeps, Dryer ran too long	Lint filter blocked, ventilation system clogged or dryer overloaded	<ul style="list-style-type: none"> Remove lint; wash the lint filter to remove softener sheet residue. Clean out the ventilation system. Reduce load size.
6 beeps, Push button does not function	Push button held too long or wedged in the control panel	<ul style="list-style-type: none"> Press buttons lightly and release. Disengage the button.

<i>Consumer Support</i>	<i>Troubleshooting Tips</i>	<i>Installation Instructions</i>	<i>Operating Instructions</i>	<i>Safety Instructions</i>
--------------------------------	------------------------------------	---	--------------------------------------	-----------------------------------

Notes.

GE Dryer Warranty.



All warranty service provided by our Factory Service Centers, or an authorized Customer Care® technician. To schedule service on-line, visit us at GEAppliances.com, or call 800.GE.CARES (800.432.2737). Please have serial number and model number available when calling for service.

Staple your receipt here.
Proof of the original purchase date is needed to obtain service under the warranty.

For The Period Of: **GE Will Replace:**

One Year
From the date of the original purchase

Any part of the dryer which fails due to a defect in materials or workmanship. During this **limited one-year warranty**, GE will also provide, **free of charge**, all labor and related service costs to replace the defective part.

What GE Will Not Cover:

- Service trips to your home to teach you how to use the product.
- Improper installation, delivery or maintenance.
- Failure of the product if it is abused, misused, or used for other than the intended purpose or used commercially.
- Replacement of the light bulb.
- Replacement of house fuses or resetting of circuit breakers.
- Damage to the product caused by accident, fire, floods or acts of God.
- Incidental or consequential damage caused by possible defects with this appliance.
- Damage caused after delivery.
- Product not accessible to provide required service.

EXCLUSION OF IMPLIED WARRANTIES—Your sole and exclusive remedy is product repair as provided in this Limited Warranty. Any implied warranties, including the implied warranties of merchantability or fitness for a particular purpose, are limited to one year or the shortest period allowed by law.

This warranty is extended to the original purchaser and any succeeding owner for products purchased for home use within the USA. If the product is located in an area where service by a GE Authorized Servicer is not available, you may be responsible for a trip charge or you may be required to bring the product to an Authorized GE Service location for service. In Alaska, the warranty excludes the cost of shipping or service calls to your home.

Some states do not allow the exclusion or limitation of incidental or consequential damages. This warranty gives you specific legal rights, and you may also have other rights which vary from state to state. To know what your legal rights are, consult your local or state consumer affairs office or your state's Attorney General.

Warrantor: General Electric Company, Louisville, KY 40225

Safety Instructions

Operating Instructions

Installation Instructions

Troubleshooting Tips

Consumer Support

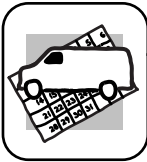
Consumer Support.



GE Appliances Website

GEAppliances.com

Have a question or need assistance with your appliance? Try the GE Appliances Website 24 hours a day, any day of the year! For greater convenience and faster service, you can now download Owner's Manuals, order parts or even schedule service on-line.



Schedule Service

GEAppliances.com

Expert GE repair service is only one step away from your door. Get on-line and schedule your service at your convenience any day of the year! Or call 800.GE.CARES (800.432.2737) during normal business hours.



Real Life Design Studio

GEAppliances.com

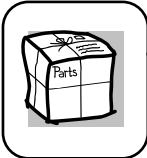
GE supports the Universal Design concept—products, services and environments that can be used by people of all ages, sizes and capabilities. We recognize the need to design for a wide range of physical and mental abilities and impairments. For details of GE's Universal Design applications, including kitchen design ideas for people with disabilities, check out our Website today. For the hearing impaired, please call 800.TDD.GEAC (800.833.4322).



Extended Warranties

GEAppliances.com

Purchase a GE extended warranty and learn about special discounts that are available while your warranty is still in effect. You can purchase it on-line anytime, or call 800.626.2224 during normal business hours. GE Consumer Home Services will still be there after your warranty expires.



Parts and Accessories

GEAppliances.com

Individuals qualified to service their own appliances can have parts or accessories sent directly to their homes (VISA, MasterCard and Discover cards are accepted). Order on-line today, 24 hours every day or by phone at 800.626.2002 during normal business hours.

Instructions contained in this manual cover procedures to be performed by any user. Other servicing generally should be referred to qualified service personnel. Caution must be exercised since improper servicing may cause unsafe operation.



Contact Us

GEAppliances.com

If you are not satisfied with the service you receive from GE, contact us on our Website with all the details including your phone number, or write to: General Manager, Customer Relations
GE Appliances, Appliance Park
Louisville, KY 40225



Register Your Appliance

GEAppliances.com

Register your new appliance on-line—at your convenience! Timely product registration will allow for enhanced communication and prompt service under the terms of your warranty, should the need arise. You may also mail in the pre-printed registration card included in the packing material.



Spacemaker Secadoras

Instrucciones de seguridad ... 2-5

Instrucciones de operación

Cómo cargar y usar la secadora 8
Controles 6
Cuidado y limpieza 8
Funciones 7

Instrucciones

de instalación 9-18

Cómo invertir el lado al que abre la puerta 18
Cómo prepararse para la instalación de su secadora 9, 10
Conexión de gas para la secadora de gas 18
Extracción de la secadora 12, 13
Instalación eléctrica para secadora eléctrica 16, 17
Instalación en casas rodantes 15
Requisitos del abastecimiento de gas 13
Requisitos eléctricos 11
Ubicación de su secadora 14

Consejos para la solución

de problemas 19-21

Soporte al consumidor

Garantía 23
Soporte al consumidor 24

Manual de propietario & Instrucciones de instalación

DSXH47



INFORMACIÓN DE SEGURIDAD IMPORTANTE. LEA TODAS LAS INSTRUCCIONES ANTES DE USAR.

Seguridad

Operación

⚠ ¡ADVERTENCIA!

Por su seguridad, debe seguir las indicaciones de este manual para minimizar el riesgo de incendio o explosión, descarga eléctrica, o para evitar daños a la propiedad, lesiones personales o muerte.

- *No almacene ni use gasolina u otros vapores y líquidos inflamables en las proximidades de este o cualquier otro electrodoméstico.*
- *La instalación y el servicio lo deben llevar a cabo un instalador calificado, la agencia de servicio o el proveedor de gas.*

QUÉ HACER SI USTED HUELE GAS:

- 1** *No intente encender un fósforo, o un cigarrillo, o encender cualquier electrodoméstico eléctrico o de gas.*
- 2** *No toque ningún interruptor eléctrico; no use ningún teléfono en el edificio.*
- 3** *Desocupe el habitación, edificio o área afectada.*
- 4** *Llame inmediatamente a su proveedor de gas usando el teléfono de algún vecino. Siga las instrucciones del proveedor de gas cuidadosamente.*
- 5** *Si usted no puede ponerse en contacto con su proveedor de gas, llame al departamento de bomberos.*

Decreto para hacer cumplir las leyes sobre tóxicos y agua potable de California

Este decreto requiere que el Gobernador de California publique una lista de las sustancias que el estado sabe que causan cáncer, defectos de nacimiento y otros daños reproductivos y requiere que los comerciantes le adviertan a sus consumidores sobre el potencial de exposición a tales sustancias.

Los electrodomésticos de gas pueden causar la exposición a cuatro de estas sustancias, concretamente benceno, monóxido de carbono, formaldehído y hollín, principalmente causados por la combustión incompleta del gas natural o de combustibles LP.

Cuando las secadoras están ajustadas apropiadamente, se minimiza la combustión incompleta. La exposición a estas sustancias puede minimizarse aún más ventilando apropiadamente la secadora hacia el exterior.

Instrucciones de instalación

Solucionar problemas

Soporte al consumidor



INSTALACIÓN APROPIADA

Antes de usarse, la secadora se debe instalar apropiadamente de acuerdo con las Instrucciones de instalación.

- Conecte la secadora a tierra de manera apropiada que cumpla con todos los códigos y ordenanzas reguladoras. Siga con cuidado las Instrucciones de instalación.
- Instálela o almacénela donde no esté expuesta a temperaturas por debajo del punto de congelación o expuesta a la intemperie.
- Conecte a un tomacorriente del tamaño y del calibre apropiados para evitar una sobrecarga eléctrica.
- Remueva todos los objetos de empaquetado y deshágase apropiadamente de todos los materiales de envío.

Escape/Ductos:

- 1 Las secadoras **DEBEN** contar con escape al exterior.
- 2 Solamente use ductos de metal rígido de 4" de diámetro dentro de la secadora. Solamente use ductos de metal rígido o flexible de 4" (10.2 cm) de diámetro para escape hacia el exterior.
EL USO DE DUCTOS PLÁSTICOS U OTROS DUCTOS DE MATERIALES COMBUSTIBLES PODRÍA CAUSAR UN INCENDIO. LOS DUCTOS PERFORADOS PODRÍAN CAUSAR UN INCENDIO SI COLAPSAN O SI OCURRE ALGUNA OBSTRUCCIÓN DURANTE EL USO O DURANTE LA INSTALACIÓN.

Para los detalles completos, siga las Instrucciones de instalación.

INFORMACIÓN DE SEGURIDAD IMPORTANTE. LEA TODAS LAS INSTRUCCIONES ANTES DE USAR.

Seguridad

⚠ ¡ADVERTENCIA!



SU ÁREA DE SECADO

- Mantenga el área debajo y alrededor de sus electrodomésticos libre de materiales combustibles (pelusas, papel, trapos, etc.), gasolina, productos químicos y otros líquidos y vapores inflamables.
- Mantenga el piso alrededor de sus electrodomésticos limpios y secos para reducir la posibilidad de un accidente.
- Mantenga el área alrededor de la abertura del extractor y las áreas circundantes libres de pelusa, polvo y suciedad.
- No obstruya el flujo de aire de ventilación. No coloque los artículos de lavado o las alfombrillas contra la parte frontal o la parte posterior de la secadora.
- Supervise a los niños en caso de que ellos usen la secadora o jueguen cerca de ella durante su operación. No permita que los niños jueguen con la secadora, en su interior, sobre ella o ningún otro electrodoméstico.
- Mantenga todos los artículos de limpieza (tales como detergentes y blanqueadores) fuera del alcance de los niños, preferiblemente encerrados en un gabinete. Ponga atención a las advertencias en las etiquetas de los envases para evitar accidentes.
- Nunca trepe ni se ponga de pie sobre la parte superior de la secadora.

Operación



CUANDO USE SU SECADORA

- Nunca introduzca sus manos en el interior de la secadora mientras el tambor giratorio esté moviéndose. Antes de agregar y sacar ropa, espere hasta que el tambor giratorio se haya detenido.
- **Limpie el filtro para pelusa antes de cada carga** para evitar la acumulación de pelusa en el interior de la secadora o en la habitación. **NO OPERE LA SECADORA SIN EL FILTRO PARA PELUSA EN SU LUGAR A MENOS QUE LA REJILLA DE SECADO ESTÉ EN USO.** Siempre reemplace el filtro para pelusa cuando termine de usar la rejilla de secado.
- No lave ni seque artículos que se hayan limpiado, lavado, remojado o salpicado con sustancias combustibles o explosivas (tales como cera, aceite, pintura, gasolina, desengrasadores, solventes de tintorería, kerosene). Estas sustancias producen vapores que podrían incendiarse o explotar. No agregue estas sustancias al agua de lavado. No use ni coloque estas sustancias alrededor de la lavadora o secadora durante su uso.
- Cualquier artículo sobre el cual usted usó un solvente de limpieza o que contenga materiales inflamables (tales como paños de limpieza, trapeadores, toallas usadas en salones de belleza, restaurantes o barberías) no se deben colocar en el interior o en las proximidades de la secadora. Existen muchos artículos inflamables en el hogar tales como la acetona, el alcohol, la gasolina, el kerosene, algunos limpiadores, algunos quitamanchas, aguarrás, trementina, ceras, removedores de cera y productos que contengan derivados del petróleo.
- El proceso de lavado puede reducir la habilidad de retardar la flamabilidad de algunas telas. Para evitar tal resultado, siga las instrucciones del fabricante de las telas con mucho cuidado.
- No seque artículos que contengan goma, plástico, espuma o materiales similares tales como sostenes (brasieres) con relleno, zapatos deportivos, ganchos de goma, alfombras de baño, baberos de niño, pantalones de niño, bolsas plásticas y almohadas que se puedan derretir o quemar. Algunos materiales gomosos, cuando se calientan, bajo ciertas circunstancias podrían incendiarse por combustión espontánea.
- Durante su operación, no almacene encima de la secadora plásticos, papel o ropa que se puedan quemar o derretir.
- Las prendas de vestir etiquetadas "Dry away from heat" (Secar alejadas del calor) o "Do not tumble dry" (No secar por giro)—tales como chaquetas salvavidas que contienen capoc—no se deben colocar en su secadora.
- No seque artículos de fibra de vidrio en su secadora. Esto podría ocasionar irritación en la piel debido a las partículas restantes que se podrían adherir a la ropa durante usos subsecuentes de la secadora.
- Para minimizar la posibilidad de una descarga eléctrica, desconecte éste electrodoméstico de su tomacorriente o desconecte la secadora del panel de distribución eléctrica del edificio removiendo el fusible o desconectando el circuito antes de dar cualquier tipo de mantenimiento o limpieza (con la excepción de remover y limpiar el filtro de la pelusa). **NOTA:** Presionar el botón **PAUSE NO** desconecta el electrodoméstico del tomacorriente.
- No use ningún tipo de limpiador aerosol en el interior o alrededor de su secadora.
- No coloque artículos expuestos a aceite de cocinar en la secadora. Los artículos contaminados con aceites de cocinar podrían contribuir a formar una reacción química que podría causar que una carga de ropas se incendie.

Instrucciones de instalación

Solucionar problemas

SopORTE al consumidor



¡ADVERTENCIA!

- Nunca intente operar éste electrodoméstico si está dañado, si no funciona bien, si está parcialmente desarmado, o si le faltan partes o éstas están rotas, incluyendo daños al cable eléctrico.
- El interior de la máquina y la conexión del tubo de escape en el interior de la secadora se deben limpiar por lo menos una vez al año por parte de un técnico calificado. Ver la sección *Cómo cargar y usar la secadora*. No use ningún tipo de limpiador en aerosol para limpiar el interior de la secadora. Esto podría provocar vapores peligrosos o una descarga eléctrica.
- Si su secadora es de gas, ésta está equipada con un encendido eléctrico automático y no necesita una luz piloto. **NO INTENTE ENCENDERLA CON UN FÓSFORO.** Podrían resultar quemaduras por tener su mano en las cercanías del quemador cuando el encendido eléctrico automático comience.
- Es posible que usted desee suavizar su ropa o reducir la electricidad estática en ella usando una toalla suavizante para secadora o un acondicionador antiestático. Recomendamos que usted use un suavizante de telas en el ciclo de lavado, de acuerdo con las instrucciones del fabricante para estos productos, o trate un producto en el que el fabricante le proporcione una garantía escrita en el paquete especificando que es seguro para usar en las secadoras. Los problemas de servicio o de rendimiento causados por estos productos son responsabilidad de los fabricantes de estos productos y no están cubiertos por la garantía de éste electrodoméstico.



CUANDO NO SE ENCUENTRE USANDO SU SECADORA

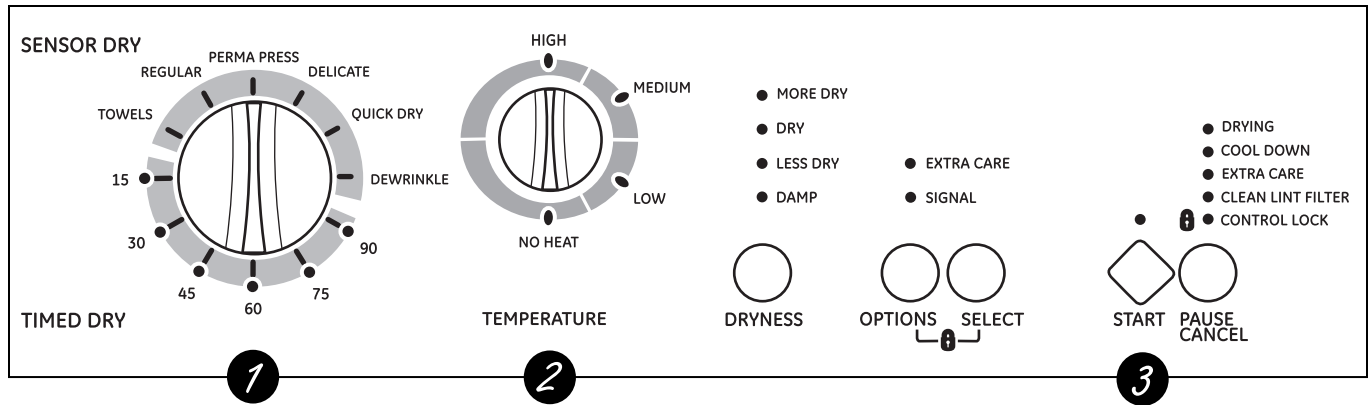
- Cuando desconecte éste electrodoméstico, agarre el enchufe firmemente para evitar daños al cable eléctrico mientras lo hale. Coloque el cable eléctrico en un lugar alejado de las áreas de tráfico para que nadie lo pise, tropiece o lo pueda dañar.
- No intente hacer reparaciones o reemplazar ninguna parte de éste electrodoméstico ni intente llevar a cabo ningún tipo de servicio a no ser que lo recomiende el Manual del propietario o instrucciones publicadas que usted entienda y tenga la habilidad de llevar a cabo.
- Antes de desechar una secadora o de removerla para darle servicio, remueva la puerta de la secadora para evitar que algún niño se esconda en su interior.
- No intente alterar los controles.



LEA Y SIGA ESTA INFORMACIÓN DE SEGURIDAD CUIDADOSAMENTE.

CONSERVE ESTAS INSTRUCCIONES

Panel de control de la secadora.



Ajustes de control

1 Ciclos de secado

Los ciclos **REGULAR**, **PERMA PRESS** y **DELICATE** (Prendas delicadas) detectan de manera automática qué tan secas están las telas. Seleccione **MORE DRY** (Más seca) para telas más pesadas, **LESS DRY** (Menos seca) para telas más ligeras. El ciclo **TIMED DRY** (Secado con temporizador) se ejecutará por el tiempo seleccionado.

TOWELS (TOALLAS) Para toallas y prendas de algodón pesadas.

REGULAR Para prendas de algodón pesadas a normales.

PERM PRESS (PLANCHADO PERMANENTE) Para prendas sin arrugas, con planchado permanente o delicadas.

DELICATES (DELICADAS) Para lencería y telas de cuidado especial.

QUICK DRY (SECADO RÁPIDO) Para cargas pequeñas y urgentes, tales como uniformes deportivos y escolares. También puede usarse si el ciclo anterior dejó algunas partes húmedas, tales como cuellos o puños.

DEWRINKLE (DESARRUGAR) Para eliminar las arrugas de prendas secas o ligeramente húmedas. No se recomienda este ciclo para telas delicadas.

TIMED DRY (SECADO CON TEMPORIZADOR) Ajuste el selector de ciclos en el tiempo de secado de su selección.

2 Cuidado de telas

HIGH (ALTO) Para prendas de algodón pesadas a normales.

MEDIUM (MEDIO) Para prendas sintéticas, mezclas y etiquetadas con *planchado permanente* o *calor medio para secado*.

LOW (BAJO) Para prendas tejidas, delicadas, sintéticas y etiquetadas como *Secado a máquina a baja intensidad*.

NO HEAT (SIN CALOR) Para *esponjar* prendas sin calor. Use el ciclo **TIMED DRY**.

3 Start (Inicio)

Cierre la puerta de la secadora. Seleccione **START**. Si abre la puerta durante la operación, ésta se interrumpirá. Para reiniciar la secadora, cierre la puerta y seleccione **START** para completar el ciclo.

Seguro de control

Para evitar iniciar o detener accidentalmente la operación de la secadora, presione **OPTIONS** (Opciones) y **SELECT** (Seleccionar) al mismo tiempo mientras el indicador del Seguro de control

está encendido. Para desbloquear los controles, presione **OPTIONS** y **SELECT** otra vez.

Funciones de la secadora.

Opción de señal

Cuando la señal esté encendida ésta emitirá un sonido justo antes del final del ciclo para recordarle que debe sacar su ropa.

Si la carga seca no puede sacarse rápidamente durante el ciclo, el Selector de ciclos avanzará a la configuración **EXTENDED COOL DOWN** (Enfriado prolongado). La ropa seguirá secándose sin calor durante **EXTENDED COOL DOWN** y **WRINKLE CARE** (Cuidados contra arrugas) (en algunos modelos) durante 40 minutos para ayudar a reducir las arrugas en la ropa. Cuando **CYCLE SIGNAL** (Señal del ciclo) esté encendida, emitirá un breve sonido cada cinco minutos como recordatorio para sacar la ropa.

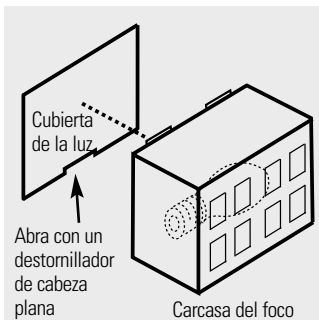
NOTA:

- Si se sacan las prendas antes del fin del ciclo, presione el botón **CANCEL** (Cancelar) dos veces.
- Retire las prendas inmediatamente después de escuchar la señal. Coloque las prendas en ganchos para que no se formen arrugas.
- Use la Señal del ciclo especialmente al secar telas como tejidos de poliéster y con planchado permanente. Estas telas deben sacarse para que no se arruguen.

Wrinkle Care (Cuidado contra arrugas)

Use esta opción para minimizar las arrugas en la ropa. Proporciona aproximadamente 15 minutos de secado sin calor una vez que las prendas están secas.

Esta opción sólo puede emplearse con los ciclos **PERMA PRESS** y **DELICATE**.



Cómo reemplazar el foco de la secadora

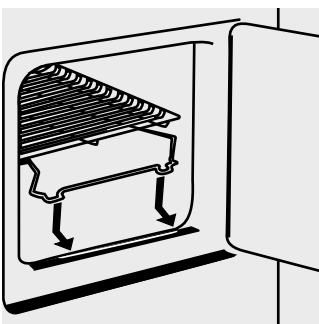
⚠ ADVERTENCIA: Para reducir el riesgo de descarga eléctrica, desconecte este aparato de la toma de corriente antes de intentar darle mantenimiento. Al colocar los controles en la posición **OFF**, no se desconecta el aparato de la toma de corriente.

La luz de la secadora se ubica encima de la abertura de la puerta de la secadora. Antes de reemplazar el foco, asegúrese de desconectar el cable de electricidad o bien de desconectar la secadora del panel de

distribución del inmueble retirando el fusible o bien apagando el cortacircuitos.

Para reemplazar la luz de la secadora:

- 1 Con un destornillador de cabeza plana pequeño, abra la parte inferior de la *cubierta de la luz* y sáquela de la *carcasa del foco*.
- 2 Desatornille el foco cuando esté frío y reemplácelo con un foco adecuado del mismo vataje o bien de un vataje más bajo.
- 3 Vuelva a ajustar la *cubierta de la luz* en la *carcasa del foco*.



Rejilla de secado (en algunos modelos)

Puede emplear una útil rejilla de secado para secar artículos tales como juguetes de peluche, almohadas o suéteres que se pueden lavar.

- 1 Retire el filtro para pelusa.
 - 2 Coloque la barra frontal debajo del borde de la abertura del filtro para pelusa.
 - 3 Cuando los objetos estén secos, retire la rejilla y coloque el filtro para pelusa.
- NO OPERE LA SECADORA SIN EL FILTRO PARA PELUSA EN SU LUGAR A MENOS QUE ESTÉ COLOCADA LA REJILLA DE SECADO.**

NOTA:

- La rejilla de secado se debe usar con el ciclo **TIMED DRY**.
- No use esta rejilla cuando esté secando otra ropa en la secadora.

Cómo cargar y usar la secadora.

Siempre siga las instrucciones del fabricante de la ropa cuando lave.

Seguridad



Ideas para la clasificación y carga de la ropa

Como regla general, si la ropa es clasificada apropiadamente para la lavadora, estará clasificada apropiadamente para la secadora.

No agregue toallitas suavizantes una vez la ropa se haya calentado. Esto podría causar que la ropa se manche. Las toallitas suavizantes acondicionadoras Bounce® se han aprobado para usarse con todas las secadoras GE de acuerdo con las instrucciones del fabricante.

No sobrecargue. Esto desperdicia energía y causa arrugas.

No seque los siguientes artículos: artículos de fibra de vidrio, prendas de lana que no sean lavables, artículos con recubrimientos de goma, plásticos, artículos con bordes plásticos o rellenos de espuma.

Operación



Cuidado y limpieza de la secadora

El exterior: Pásele un trapo y elimine el polvo o cualquier derrame de productos de lavandería con un trapo húmedo. Los productos de tratamiento para quitar mugre y manchas podrían dañar el panel de control de la secadora y afectar su apariencia. Aplique estos productos a cierta distancia de la secadora. Luego las telas podrán lavarse y secarse normalmente. Los daños causados a la secadora por estos productos no están cubiertos bajo su garantía.

El filtro para pelusa: Limpie el filtro para pelusa antes de cada uso. La acumulación de pelusa en el filtro impide el flujo del aire, lo que provoca que los tiempos de secado se prolonguen. El filtro se ubica en la parte inferior de la abertura de la puerta. Retire jalando hacia arriba. Retire la pelusa y coloque el filtro de nuevo.

Puede crearse una acumulación cerosa en el filtro para pelusa, debida al uso de láminas suavizantes de telas agregadas a la secadora. Para eliminar dicha acumulación, lave el filtro para pelusa en agua tibia y jabonosa. Seque por completo y colóquelo en su lugar. No opere la secadora sin colocar el filtro para pelusa en su lugar.

El ducto de escape: Inspeccione y limpie el ducto de escape por lo menos una vez al año para evitar los obstrucciones. Un escape parcialmente taponado puede prolongar el plazo de secado.

Siga estos pasos:

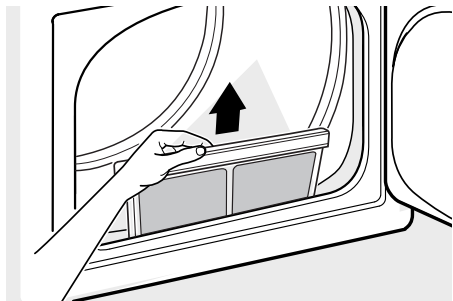
- 1 Apague el suministro eléctrico desconectando el enchufe de la pared.
- 2 Desconecte el conducto de la secadora.
- 3 Aspire el conducto con la conexión de manguera y vuelva a conectarlo.

La salida de escape: Inspeccione del exterior que las aletas de la salida de escape se mueven libremente durante la operación. Asegúrese de que ningún animal (pájaros, insectos, etc.) haya hecho su nido en el interior del conducto o en la salida de escape.

Instrucciones de instalación

Solucionar problemas

Soporte al consumidor



Instrucciones de instalación

Secadora Spacemaker

Modelo DSXH47

Si tiene alguna pregunta, llame a 800.GE.CARES (1.800.432.2737) o visite nuestro sitio Web en: GEAppliances.com

ANTES DE COMENZAR

Lea detenidamente todas las instrucciones.

- **IMPORTANTE** – Guarde estas instrucciones para uso del inspector local.
- **IMPORTANTE** – Cumpla todos los códigos y ordenanzas regulatorias.
- **Nota al instalador** – Asegúrese de dejar estas instrucciones al usuario.
- **Nota al usuario** – Guarde estas instrucciones para consultas futuras.
- **Nivel de habilidad** – la instalación de este electrodoméstico requiere habilidades mecánicas y eléctricas básicas.
- **Duración** – de 1 a 3 horas
- La instalación adecuada es responsabilidad del instalador.
- La garantía no cubre fallas producidas por la instalación inadecuada del producto.
- Quite y descarte el conducto existente de plástico o de papel de aluminio y coloque un conducto aprobado por UL.

EN EL ESTADO DE MASSACHUSETTS

- Este producto debe ser instalado por un plomero o instalador de gas certificado.
- Cuando use válvulas de desactivación de gas tipo bola, deben ser de mango tipo T.
- Si usa un conector de gas, éste no debe exceder los 3 pies (91.4 cm).

LEY DE CALIFORNIA PARA EL AGUA POTABLE Y LOS TOXICOS

Esta ley exige que el Gobernador de California publique una lista de sustancias que según el estado provoquen cáncer, defectos congénitos u otros daños reproductivos, y exige a las empresas que adviertan a los clientes sobre la exposición potencial a dichas sustancias. Los aparatos a gas pueden provocar una exposición mínima a estas sustancias, a saber, benceno, monóxido de carbono, formaldehído y hollín, generados principalmente por la combustión incompleta de gas natural o combustibles LP. Si se ajustan bien las secadoras, la combustión incompleta se verá minimizada. La exposición a estas sustancias puede minimizarse aún más mediante una ventilación adecuada hacia el exterior.

PARA SU SEGURIDAD:

⚠️ ADVERTENCIA

- Para reducir el riesgo de una lesión grave o de muerte, cumpla con todas las instrucciones de instalación.
- La instalación de la secadora de ropa debe efectuarla un instalador calificado.
- Instale la secadora de ropa de acuerdo con estas instrucciones y con los códigos locales.
- Esta secadora debe tener una salida al exterior.
- Utilice sólo un conducto de metal rígido de 4" (10 cm) para la salida al exterior de la secadora de ropa.
- NO instale una secadora de ropa con materiales de ventilación de plástico flexible. Si se instalan conductos de metal flexible (semi-rígido o tipo papel de aluminio), deben estar aprobados por UL e instalarse de acuerdo con las instrucciones incluidas en "Cómo conectar la secadora a la ventilación doméstica" de la página 12 de este manual. Los materiales de ventilación flexibles a menudo se desploman, se aplastan y atrapan pelusas. Estas condiciones obstruyen la corriente de aire de la secadora y aumentan el riesgo de incendio.
- No instale o almacene este aparato en un lugar donde se vea expuesto al agua y/o a las inclemencias del tiempo.
- Guarde estas instrucciones. (Instalador: Asegúrese de dejar estas instrucciones al consumidor).
- El Código Nacional de Gas Combustible (National Fuel Gas Code) restringe las instalaciones de **aparatos de gas** en cocheras. Deben estar a 18" (45.7 cm) de distancia del piso y estar protegidos de los autos con algún tipo de barrera. Consulte la sección *Ubicación de su secadora*.
- El **servicio eléctrico** de la secadora debe cumplir con los códigos y regulaciones locales, así como con la edición más reciente del Código Nacional sobre Electricidad (National Electrical Code), ANSI/NFPA 70.
- El **servicio de gas** de la secadora debe cumplir con los códigos y regulaciones locales, así como con la edición más reciente del Código Nacional de Gas Combustible (National Fuel Gas Code), ANSI Z223.1. La secadora a gas está diseñada bajo ANSI Z 21.5.1 y es para **uso doméstico exclusivamente**. Esta secadora no se recomienda para aplicaciones comerciales tales como restaurantes o salones de belleza.

Instrucciones de instalación

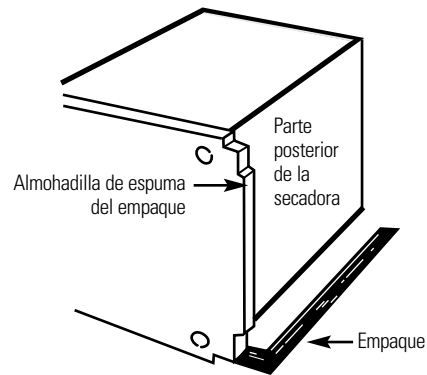
HERRAMIENTAS Y MATERIALES QUE NECESITARÁ

- Destornillador Phillips
- Pinzas ajustable (ajustar patas niveladoras)
- Niveladora de carpintería
- Destornillador plano o recto (podría ser necesario para aminorar tensión de cables)
- Cinta aislante
- Ducto rígido o flexible aprobado por UL de 4" (10.2 cm)
- Extractor de aire
- Llave para tuercas de 1/4" (retire la cubierta del acceso al bloque terminal e instale el cable) (**SECADORA ELÉCTRICA**)
- Sellador de roscas para tubería (**SECADORA A GAS**)
- Alivio de tensión aprobado por UL (puede incluirse con el cable)
- Cable conductor de corriente mínima 30A, 240V, de 3 cables, #10 AWG aprobado por UL (estructura existente)
- Se requiere un cable conductor de corriente mínima 30A, 240V, de 4 cables, #10 AWG aprobado por UL (construcción nueva)
- Tubo conector flexible de acero inoxidable o de latón cubierto con plástico (si lo permite el código de construcción) (**SECADORA A GAS**)
- Llaves de extremos abiertos para tubo y conector flexibles (**SECADORA A GAS**)

PREPARACIÓN DEL LUGAR DE INSTALACIÓN Y DESEMPAQUE DE SU SECADORA

1. Prepare el área y el extracción de aire para la instalación de su nueva secadora.
2. Asegúrese de que el extractor externo existente esté limpio y de que cumpla con las especificaciones de instalación anexas.
3. Coloque los cuatro postes esquineros del cartón de empaque sobre el piso, paralelos y a una distancia de 2 a 3" entre sí. Coloque la secadora cuidadosamente sobre su lado izquierdo sobre los postes esquineros. Retire la almohadilla de espuma del empaque.

⚠ PRECAUCIÓN: Para evitar daños, no use el panel de control para levantar o mover la secadora.



4. Vuelva a colocar la secadora en posición vertical.
5. Coloque la secadora en el lugar de su elección.
6. Conecte el extractor externo.
7. Ajuste las patas niveladoras de modo que estén a la misma altura que la lavadora. La secadora debe estar nivelada y descansar firmemente sobre las cuatro patas niveladoras.
8. Conecte la toma de energía.
9. Verifique el funcionamiento de la toma de corriente y de la ventilación.
10. Coloque el Manual del propietario y las Instrucciones de instalación en donde el dueño pueda verlos.

Instrucciones de instalación

Lea estas instrucciones completamente y con cuidado.

INFORMACIÓN SOBRE LA CONEXIÓN ELÉCTRICA PARA SECADORAS ELÉCTRICAS

⚠ ADVERTENCIA – Para reducir el riesgo de incendio, descarga eléctrica o lesión personal:

- NO USE UN CABLE DE EXTENSIÓN CON ESTE APARATO.
- ESTE APARATO DEBE ESTAR DESCARGADO A TIERRA.

Esta secadora debe estar descargada a tierra de acuerdo con los códigos y reglas locales, y en caso de que éstos no existan, de acuerdo con el CÓDIGO NACIONAL SOBRE ELECTRICIDAD (NATIONAL ELECTRICAL CODE), ANSI/NFPA NO. 70.

Requisitos eléctricos

- Esta secadora debe estar conectada a un circuito derivado de 208V o 240V, protegida por un cortacircuito de 30 amperios o bien fusibles con temporizador.
- Toma de corriente: de 3 cables, 240 voltios, fase única, 60-Hz, corriente alterna.
- Use conductores de cobre únicamente.
- Si la toma eléctrica no cumple con las especificaciones arriba mencionadas, llame a un electricista certificado.

NOTA: Debajo del panel superior se encuentra un diagrama de cableado.

INFORMACIÓN DE LA CONEXIÓN ELÉCTRICA PARA SECADORAS A GAS

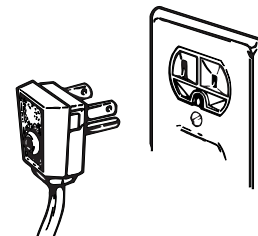
⚠ ADVERTENCIA – Para reducir el riesgo de incendio, descarga eléctrica o lesión personal:

- NO USE UN CABLE DE EXTENSIÓN O ENCHUFE ADAPTADOR CON ESTE APARATO.
- BAJO NINGUNA CIRCUNSTANCIA CORTE O RETIRE LA TERCERA CLAVIJA DE CONEXIÓN A TIERRA DEL CABLE DE ELECTRICIDAD.

Esta secadora debe estar descargada a tierra de acuerdo con los códigos y reglas locales, y en caso de que éstos no existan, de acuerdo con el CÓDIGO NACIONAL SOBRE ELECTRICIDAD (NATIONAL ELECTRICAL CODE), ANSI/NFPA NO. 70.

Requisitos eléctricos

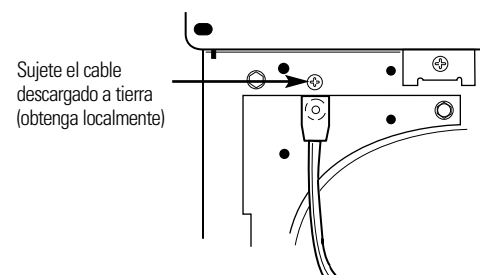
- Esta secadora debe contar con 120V, 60-Hz, y debe estar conectada a un circuito derivado descargado a tierra, protegido por un cortacircuitos de 15 o 20 amperios o bien un fusible con temporizador.
- Si la corriente eléctrica proporcionada no cumple con las especificaciones arriba mencionadas, se recomienda que un electricista certificado instale el tomacorriente aprobado.



Antes de usar, asegúrese de que esté descargado a tierra correctamente

Descarga a tierra externa (si es necesario)

Un cable externo descargado a tierra (no incluido), que cumpla con los códigos locales, puede añadirse al tornillo verde descargado a tierra en la parte posterior de la secadora en la esquina superior izquierda arriba del cable, y a una tubería metálica descargada a tierra para agua fría u otro suelo establecido.



NOTA: Debajo del panel superior se encuentra un diagrama de cableado.

Instrucciones de instalación

LISTA DE CONTROL DEL SISTEMA DE SALIDA

CAMPANA O CUBIERTA DE PARED

- Instale la salida de modo de evitar contracorrientes o el ingreso de pájaros u otros insectos o animales.
- La boca de salida debe presentar una resistencia mínima al flujo de salida y debe requerir poco mantenimiento para evitar las obstrucciones.
- Nunca instale un filtro dentro o sobre el conducto de salida.
- Las cubiertas de pared deben instalarse por lo menos a 12" sobre el nivel del suelo o cualquier otra obstrucción con la abertura apuntando hacia abajo.

SEPARACIÓN DE CURVAS

- Para un mejor desempeño, separe todas las curvas con 4 pies de conducto recto como mínimo, incluyendo la distancia entre la última curva y la cubierta de pared con regulador de tiro. Para curvas ubicadas a una distancia menor de 4 pies, ver la Tabla de equivalencia de componentes de conductos.

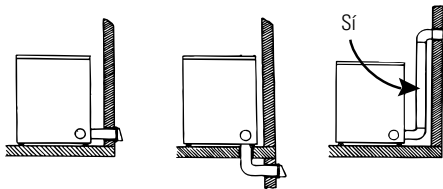
SELLADO DE JUNTAS

- Todas las juntas deben estar bien selladas para evitar pérdidas. El extremo macho de cada sección de conducto debe apuntar en dirección opuesta de la secadora.
- No arme la red de conductos con sujeciones que se extiendan dentro del conducto. Funcionarán como un punto de acumulación de pelusas.
- Las juntas de los conductos deben ser herméticas al aire y a la humedad mediante la superposición de juntas con cinta aislante o cinta de aluminio.
- Los tramos horizontales deben tener una inclinación hacia el exterior de 1/4" por pie.

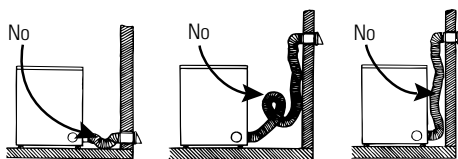
AISLACION

- Los conductos instalados a través de una área sin calefacción o ubicados cerca de un acondicionador de aire deben aislarse para reducir la condensación y la acumulación de pelusas.

Correcto



Incorrecto



⚠️ ADVERTENCIA

- No instale la boca de salida dentro de una chimenea, pared, cielorraso, ventilación de gas, espacio entre pisos, ático, bajo un piso con cerramiento o en cualquier otro espacio oculto de un edificio.
- Nunca instale la boca de salida dentro de un conducto común con el sistema de salida de la cocina. La combinación de grasa y pelusas podría provocar un riesgo de incendio.
- No utilice un conducto de una longitud mayor a la especificada en la tabla de longitud de salida. Los conductos más largos acumulan pelusa, lo que genera un riesgo potencial de incendio.
- Nunca instale un filtro dentro o sobre el conducto de salida. Esto provocará la acumulación de pelusas, lo que genera un riesgo potencial de incendio.
- No arme la red de conductos con sujeciones que se extiendan dentro del conducto. Estas sujeciones pueden acumular pelusa, lo que genera un riesgo potencial de incendio.
- No obstruya el aire que entra y sale.
- Incluya un acceso para inspección y limpieza del sistema de salida, especialmente en las curvas y juntas. El sistema de salida debe inspeccionarse y limpiarse por lo menos una vez al año.

CÓMO CONECTAR LA SECADORA A LA VENTILACIÓN DOMÉSTICA

CONDUCTO DE TRANSICIÓN DE METAL RÍGIDO

- Para un mejor desempeño de secado, se recomienda un conducto de transición de metal rígido.
- Los conductos de transición de metal rígido reducen el riesgo de aplastamientos y torceduras.

CONDUCTO DE TRANSICIÓN DE METAL FLEXIBLE (SEMI-RÍGIDO) APROBADO POR UL

- Si no puede utilizarse un conducto de metal rígido, entonces puede usarse un conducto de metal flexible (semi-rígido) aprobado por UL (Kit WX08X10077).
- Nunca instale conductos de metal flexible en paredes, cielorrasos, pisos u otros espacios ocultos.
- La longitud total del conducto de metal flexible no deberá superar los 8 pies (2.4 m).
- Para muchas aplicaciones, se recomienda enfáticamente la instalación de codos en la secadora y en la pared (ver ilustraciones de abajo). Los codos permiten que la secadora se ubique cerca de la pared sin torcer o aplastar el conducto de transición, lo que potencia al máximo el desempeño de secado.
- No coloque el conducto sobre objetos afilados.

CONDUCTO DE TRANSICIÓN DE METAL FLEXIBLE (TIPO PAPEL DE ALUMINIO) APROBADO POR UL

- En instalaciones especiales, puede ser necesario conectar la secadora a la ventilación doméstica utilizando un conducto de metal flexible (tipo papel de aluminio). Puede utilizarse un conducto de metal flexible (tipo papel de aluminio) aprobado por UL SÓLO en instalaciones en las que no pueden usarse conductos de metal rígido o flexible (semi-rígidos) Y en las que puede mantenerse un diámetro de 4" (10 cm) a lo largo de todo el conducto de transición.

⚠️ ADVERTENCIA Para reducir el riesgo de incendio o lesiones personales:

- Esta secadora de ropa debe contar con una salida al exterior.
- Utilice sólo un conducto de metal rígido de 4" para el conducto de salida doméstico.
- Utilice sólo un conducto de metal rígido de 4" o de metal flexible aprobado por UL (semi-rígido o tipo papel de aluminio) para conectar la secadora al conducto de salida doméstico. Debe instalarse de acuerdo con las instrucciones incluidas en "Cómo conectar la secadora a la ventilación doméstica" en esta página.

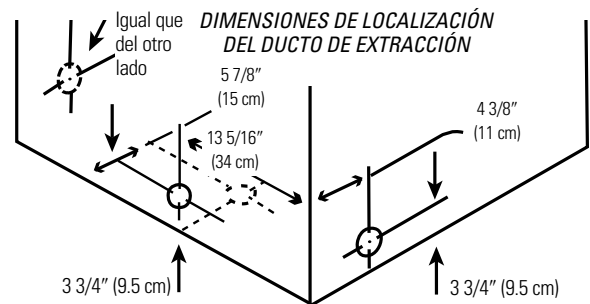
Instrucciones de instalación

CÓMO CONECTAR LA SECADORA A LA VENTILACIÓN DOMÉSTICA

- En Canadá y los Estados Unidos, solamente deberán utilizarse los conductos de metal flexible (tipo papel de aluminio) que cumplan con el "Resumen para conductos de transición para secadoras de ropa, Tema 2158A".
- Nunca instale conductos de metal flexible en paredes, cielorrasos, pisos u otros espacios ocultos.
- La longitud total del conducto de metal flexible no deberá superar los 8 pies (2.4 m).
- No coloque el conducto sobre objetos afilados.
- Para un mejor desempeño de secado:
 - Deslice un extremo del conducto sobre la tubería de salida de la secadora de ropa.
 - Fije el conducto con una abrazadera.
 - Con la secadora en su posición permanente, extienda el conducto en su longitud total. Deje que se superpongan 2" (5 cm) de conducto con la tubería de salida. Corte y quite el tramo de conducto que sobre. Mantenga el conducto lo más recto posible para lograr una corriente de aire máxima.
 - Fije el conducto a la tubería de salida con la otra abrazadera.

DIRECCIÓN DE LA EXTRACCIÓN

Todas las secadoras cuentan con un diseño de extracción posterior. En las secadoras eléctricas el sistema de extracción puede encontrarse a la derecha o izquierda del gabinete, o bien a través del fondo de la secadora. El sistema de extracción de las secadoras a gas se encuentra del lado derecho del gabinete o bien en el fondo de la secadora. Para cambiar la dirección de la extracción necesitará un Equipo de extracción No. 14-A018, así como un codo de metal rígido de 4" (10 cm) y 90 grados. Este equipo está disponible a través de su distribuidor GE. Siga las instrucciones proporcionadas con el equipo.



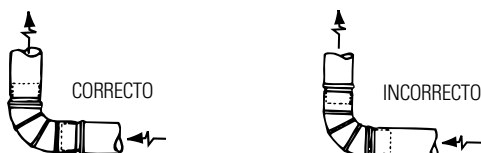
LONGITUD DE LOS DUCTOS DE EXTRACCIÓN

El sistema de extracción debe inspeccionarse y limpiarse al menos una vez al año, bajo condiciones de uso normales. Entre más uso se le dé a la secadora, mayor será la frecuencia con la que deberá verificar el sistema de extracción y el extractor de aire para su funcionamiento adecuado.

- NO** ensamble los ductos con sujetadores que se extiendan hasta el ducto mismo. Estos funcionarían como puntos de acumulación de pelusa.
- Aislamiento – Deben aislarse los ductos que corren a través de un área sin calor o que se encuentran cerca de un ducto de acondicionamiento de aire, esto con el fin de reducir la condensación y la acumulación de pelusa.

Número de giros de 90°	LONGITUD MÁXIMA de 4" (10.2 cm) de día. DUCTO DE METAL RÍGIDO		
	TIPO PREFERIDO DE EXTRACTOR DE AIRE		
	4" (10.2 cm)	Tipo persiana	
0	60' (18.28 m)	48' (14.63 m)	
1	52' (15.84 m)	40' (12.19 m)	
2	44' (13.41 m)	32' (9.75 m)	
3	32' (9.75 m)	24' (7.31 m)	
4	28' (8.53 m)	16' (4.87 m)	

INSTALE LAS TERMINALES MACHO EN LA DIRECCIÓN CORRECTA



REQUISITOS DEL ABASTECIMIENTO DE GAS

Reemplace el tubo conector de latón que no esté cubierto con plástico. Se **DEBE** utilizar acero inoxidable o latón cubierto con plástico.

⚠ ADVERTENCIA: Nunca reutilice conectores flexibles viejos. El uso de conectores flexibles viejos puede provocar fugas de gas y lesiones personales. Siempre use conectores flexibles **NUEVOS** al momento de instalar un aparato de gas.

- La instalación **DEBE** cumplir con los códigos locales o, en la ausencia de éstos, con el Código Nacional de Gas Combustible (National Fuel Gas Code), ANSI Z223.1 (última edición).
- La tubería de abastecimiento de gas debe ser de tubo rígido de 1/2" (1.27 cm).
- Si los códigos lo permiten, puede emplearse tubería de metal flexible para conectar su secadora a la tubería de abastecimiento de gas. La tubería **DEBE** estar hecha de acero inoxidable o latón cubierto de plástico.
- La tubería de abastecimiento de gas **DEBE** contar con una válvula de cierre individual.
- DEBE** instalarse un collarín de toma cerrado NPT de 1/8" (0.32 cm), accesible para la conexión de prueba del medidor, inmediatamente antes de la conexión del abastecimiento de gas a la secadora.
- La secadora **DEBE** estar desconectada del sistema de tubería del gas a presiones de prueba en exceso de 1/2 psig (3.45 kPa).
- La secadora **DEBE** estar aislada del sistema de tubería del abastecimiento de gas durante cualquier prueba de presión del sistema de tubería de abastecimiento de gas a presiones de prueba iguales o inferiores a 1/2 psig (3.45 kPa).

Instrucciones de instalación

UBICACIÓN DE SU SECADORA

No instale la secadora:

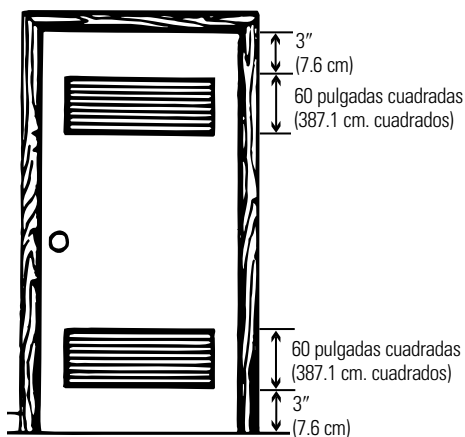
1. No instale la secadora en un área expuesta a goteras o a la intemperie.
2. No instale la secadora en un área en donde esté en contacto con cortinas, paños o cualquier objeto que pueda obstruir el flujo de combustión y del aire de ventilación.
3. No instale la secadora sobre alfombras.
El piso **DEBE** ser firme y con una inclinación máxima de 1" (2.54 cm).

Instalación debajo de un mostrador:

Si se desea instalar la secadora debajo de un mostrador, se requiere un mostrador de tamaño a la medida (distancia de 36" hacia el suelo a la superficie inferior del mostrador). No se requiere una tapa de la secadora especial.

Instalación en hueco o armario:

1. Esta secadora **DEBE** contar con un sistema de extracción que dé al exterior.
2. No podrá instalarse otro aparato combustible dentro del mismo armario que la **SECADORA A GAS**.
3. Su secadora necesita espacio alrededor para una ventilación adecuada. **NO INSTALE SU SECADORA DENTRO DE UN ARMARIO CON UNA PUERTA SÓLIDA.**
4. Las puertas de los armarios deben ser tipo persiana o estar ventiladas de algún otro modo; asimismo, deben contar con un área abierta distribuida equitativamente de 60 pulgadas cuadradas (387.1 cm cuadrados.). Si el armario cuenta con una lavadora y una secadora, las puertas deben contar con un área abierta distribuida equitativamente de 120 pulgadas cuadradas (762.2 centímetros cuadrados). Es necesario que las aberturas de aire estén libres al momento de instalar la puerta. Se acepta una puerta tipo persiana con ventilas equivalentes a lo largo de toda la puerta.



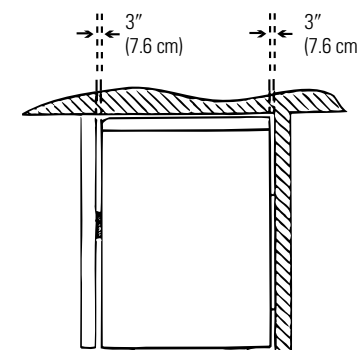
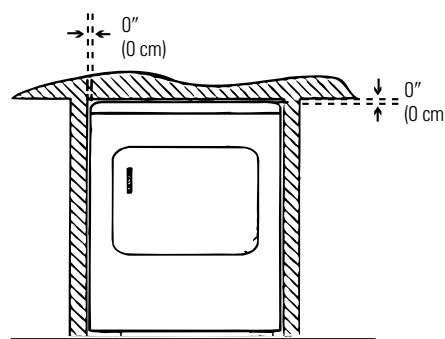
Puerta del armario

Deje los siguientes espacios para una instalación más sencilla:

	FRENTE	LADOS	DETRÁS	SUPERIOR
Hueco, pila, debajo de mostrador o armario	3" (7.6 cm)	0 (0 cm)	3" (7.6 cm)	0 (0 cm)

ESTA SECADORA DEBE CONTAR CON UN SISTEMA DE EXTRACCIÓN QUE DÉ AL EXTERIOR.

5. Las siguientes ilustraciones muestran las dimensiones mínimas de los espacios para una operación adecuada en un hueco o armario.



INSTALACIÓN APILADA

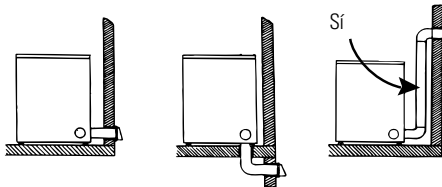
Si se desea una instalación de lavadora y secadora apiladas, **DEBE** usar el Equipo para apilar WE25X10020. Este equipo está disponible a través de su distribuidor GE.

Instrucciones de instalación

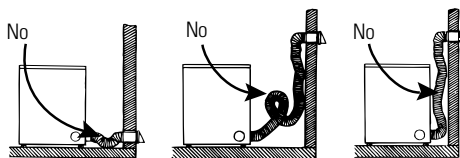
INSTALACIÓN EN CASAS RODANTES

1. La secadora **DEBE** contar con un sistema de extracción que dé al exterior (fuera de la casa rodante, no debajo de ésta) y que use ductos de metal que no sean combustibles. Los ductos de metal deben tener un diámetro de 4" (10.16 cm), sin obstrucciones. Se prefiere el uso de ductos de metal rígido.
2. Si el sistema de extracción da al piso, éste **NO DEBE** desembocar debajo de la casa rodante. La desembocadura **DEBE** sujetarse firmemente a la estructura de la casa rodante.
3. Cuando se instale una secadora a gas en una casa rodante, deben tomarse medidas con respecto a la composición del aire exterior. Esta medida no debe ser menor al doble del área de la salida del extractor de la secadora.
4. Las secadoras de gas **DEBEN** sujetarse al piso con el Equipo de instalación en casas rodantes No. 14-D346-33.
5. Consulte la sección *Lista de control del sistema de salida* para ver otros detalles importantes sobre ventilación.
6. La instalación **DEBE** cumplir con la Norma de Construcción y Seguridad de Hogares Fabricados (Manufactured Home Construction & Safety Standard, título 24 CFR—parte 32-80) o bien, cuando dicha norma no sea aplicable, con el Norma Nacional de Casas Rodantes de Estados Unidos (American National Standard for Mobile Homes), ANSI/NFPA No. 501B.

Correcto

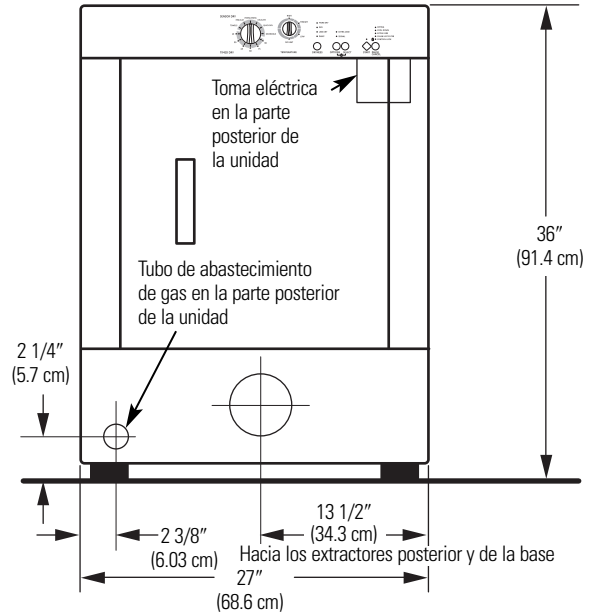


Incorrecto

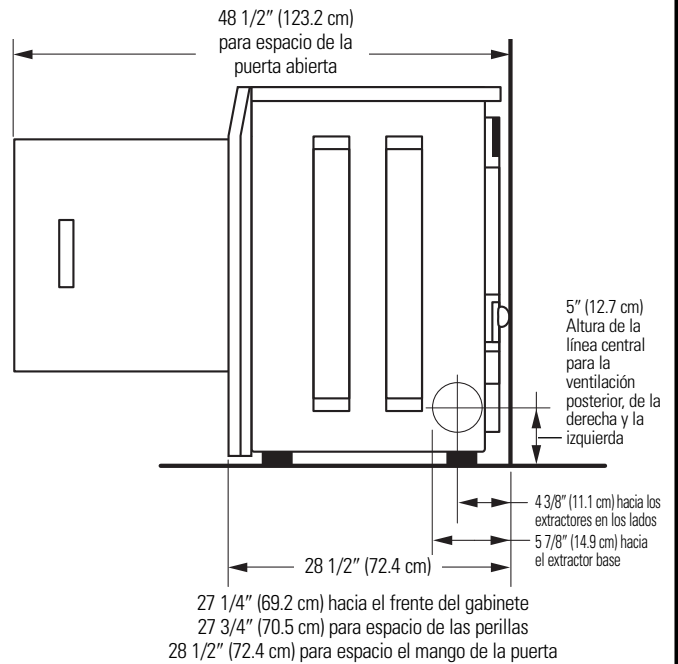


La secadora fue diseñada bajo la norma ANSI Z 21.5.1.

DIMENSIONES APROXIMADAS



VISTA FRONTAL



VISTA LATERAL

MANTENIMIENTO – Deben tenerse ciertas consideraciones para ofrecer espacio suficiente durante la instalación y mantenimiento.

Instrucciones de instalación

INSTALACIÓN ELÉCTRICA PARA LAS SECADORAS ELÉCTRICAS

⚠ ADVERTENCIA: Los siguientes son requisitos específicos para la instalación eléctrica adecuada y segura de su secadora. El no seguir estas instrucciones puede provocar descargas eléctricas y/o riesgo de incendio.

Este aparato **DEBE** estar descargado a tierra adecuadamente. Si la secadora no está descargada a tierra correctamente, puede ocurrir un shock eléctrico. Siga las instrucciones en este manual para una descarga a tierra adecuada.

NO use un cable de extensión para esta secadora. Algunos cables de extensión no están diseñados para soportar las cantidades de corriente eléctrica empleadas por esta secadora y podrían derretirse, lo que puede provocar un shock eléctrico y/o riesgo de incendio. Localice la secadora dentro del alcance de una toma de corriente en la pared, tomando en cuenta la longitud del cable de corriente que va a comprarse y permitiendo que éste cuelgue un poco. Consulte los *Requisitos eléctricos* en este manual para adquirir el cable de corriente adecuado.

Debe instalarse un alivio de tensión aprobado por UL en el cable de corriente. Si el alivio de tensión no se instala, el cable puede zafarse de la secadora y podría romperse con cualquier movimiento del cable, lo que resultaría en un shock eléctrico.

NOTA: Las secadoras que operan con una toma de corriente de 208 voltios tendrán tiempos de secado más largos que aquéllas que operan con una toma de corriente de 240 voltios.

Debajo del panel superior se encuentra un diagrama de cableado.

REQUISITOS PARA LA DESCARGA A TIERRA

⚠ ADVERTENCIA: Una conexión inadecuada del conductor de descarga a tierra del equipo podría provocar un shock eléctrico. Consulte a un electricista certificado si tiene dudas sobre la descarga a tierra del aparato.

La secadora **DEBE** estar descargada a tierra. En caso de un mal funcionamiento o descompostura, la descarga a tierra reducirá el riesgo de un shock eléctrico al crear una ruta de resistencia mínima para la corriente eléctrica.

La descarga a tierra debe cumplir con los códigos y reglas locales, y en caso de que éstos no existan, con el Código Nacional sobre Electricidad (National Electrical Code), ANSI/NFPA No. 70.

Para una secadora eléctrica descargada a tierra con cable conector: Si su secadora está equipada con un cable de toma de corriente con un conductor de descarga a tierra del equipo y un enchufe de conexión a tierra, éste último **DEBE** conectarse a un receptáculo adecuado y de cables de cobre, de acuerdo con todos los códigos y reglas locales. Si tiene alguna duda, consulte a un electricista certificado.

Para una secadora eléctrica de conexión permanente:

- La secadora **DEBE** estar conectada a un sistema de cableado permanente metálico descargado a tierra, o bien debe correrse un conductor de descarga a tierra del equipo con los conductores del circuito y conectarse a la terminal de descarga a tierra del equipo del aparato.

Para una secadora a gas descargada a tierra con conexión de cable:

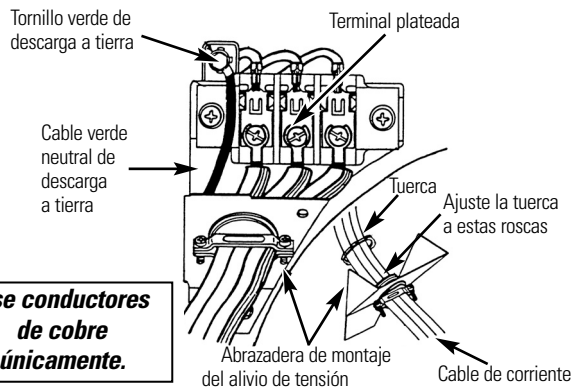
- Esta secadora está equipada con un enchufe de tres clavijas (descargado a tierra) para su protección contra choques y debe conectarse directamente a un receptáculo de tres clavijas descargado a tierra de manera adecuada. No corte ni retire la clavija de descarga a tierra de este enchufe. No modifique el enchufe de este aparato. Si no se ajusta a la toma de corriente, haga que un electricista certificado instale una toma adecuada.

Instrucciones de instalación

SISTEMA DE 3 CABLES PARA SECADORAS ELÉCTRICAS

NO use para instalaciones en casas rodantes.
NO use en construcciones nuevas.

1. Retire los tornillos fijando la cubierta del acceso del bloque terminal y la abrazadera del alivio de tensión ubicada en la parte posterior de la secadora, en la esquina superior.
2. Instale un alivio de tensión aprobado por UL en el agujero del cable de corriente de la abrazadera de montaje. Ajuste la tuerca manualmente, sólo en esta ocasión.



Use conductores de cobre únicamente.

3. Trence un cable conductor de corriente mínima de cobre aprobado por UL de 30A, 240V, 3 #10 AWG a través del alivio de tensión.
4. Sujete el conductor neutral del cable de corriente (alambre central) a la terminal de color plateado en el bloque terminal. Ajuste el tornillo firmemente.
5. Sujete los dos conductores exteriores del cable de corriente a las terminales exteriores de latón en el bloque terminal. Ajuste ambos tornillos firmemente.

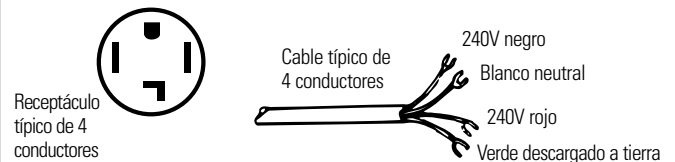
⚠ ADVERTENCIA: No doble de manera pronunciada las conexiones del cableado/conductor.

6. Vuelva a sujetar la abrazadera de montaje del alivio de tensión a la parte posterior de la secadora con los tornillos incluidos. Ajuste los tornillos firmemente.
7. Ajuste los tornillos sujetando el limitador del cable firmemente contra el cable de corriente.
8. Ajuste la tuerca del alivio de tensión firmemente, de modo que el alivio de tensión no se mueva.
9. Reinstale la cubierta del acceso del bloque terminal.

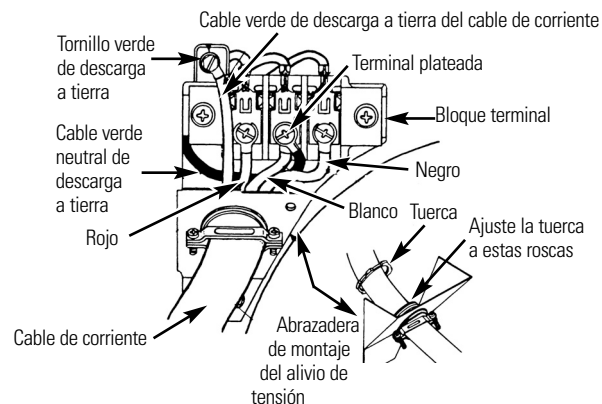
SISTEMA DE 4 CABLES PARA SECADORAS ELÉCTRICAS

En vigor a partir del 1 de enero de 1996: El Código Nacional sobre Electricidad (National Electrical Code) requiere que las **nuevas construcciones** (no existentes) utilicen una conexión de 4 cables a una secadora eléctrica.

1. Retire los tornillos fijando la cubierta del acceso del bloque terminal y la abrazadera del alivio de tensión ubicado en la parte posterior de la secadora, en la esquina superior.
2. Instale un alivio de tensión aprobado por UL en el agujero de entrada de la abrazadera de montaje. Ajuste la tuerca manualmente, sólo en esta ocasión.
3. Retire el cable verde descargado a tierra neutral del tornillo verde descargado a tierra encima del bloque terminal.



4. Trence un cable conductor de corriente mínima de cobre aprobado por UL de 30A, 240V, 4 #10 AWG a través del alivio de tensión.
5. Sujete el cable de descarga a tierra del cable de corriente verde al gabinete con el tornillo verde de descarga a tierra.
6. Sujete el conductor del cable de corriente blanco (neutral) del cable de corriente y el cable verde de descarga a tierra del arnés de la secadora a la terminal central de color plateado en el bloque terminal. Ajuste el tornillo firmemente.
7. Sujete los conductores del cable de corriente rojo y negro a las terminales exteriores de latón en el bloque terminal.



⚠ ADVERTENCIA: No doble de manera pronunciada las conexiones del cableado/conductor.

8. Ajuste los tornillos sujetando el limitador del cable firmemente contra el cable de corriente.
9. Ajuste la tuerca del alivio de tensión firmemente, de modo que el alivio de tensión no se mueva.
10. Reinstale la cubierta del acceso del bloque terminal.

Instrucciones de instalación

CONEXIÓN DE GAS PARA LA SECADORA A GAS

1. Retire la tapa del empaque de la tubería de gas en la parte posterior de la secadora.

Conversión a gas LP: **NO** conecte la secadora al servicio de gas LP sin convertir la válvula de gas. Un equipo de conversión LP (No. 14-A038) **DEBE** instalarse por un técnico de gas certificado.

- a. Conecte un tubo de 1/2" (1.27 cm) D.I. semi-rígido o aprobado de la tubería de abastecimiento de gas al tubo de 3/8" (0.96 cm) localizado en la parte posterior de la secadora. Utilice un reductor de 1/2" a 3/8" (1.27 cm a 0.96 cm) para una conexión. Aplique un sellador de roscas aprobado y resistente a la acción corrosiva de los gases licuados en todas las conexiones de la tubería.
- b. Abra la válvula de cierre en la tubería de abastecimiento de gas.
- c. Pruebe todas las conexiones frotándolas con una solución de agua jabonosa.

⚠ **ADVERTENCIA:** NUNCA PRUEBE LA EXISTENCIA DE FUGAS DE GAS CON UNA FLAMA ABIERTA.

2. Conecte el ducto de extracción al sistema de extracción exterior. Use cinta aislante para sellar las juntas.
3. Con la secadora en su posición final, ajuste una o más de las patas hasta que la secadora se encuentre firmemente en las cuatro patas. Coloque una niveladora en la parte superior de la secadora. **LA SECADORA DEBE ESTAR NIVELADA Y DESCANSAR POR COMPLETO EN LAS CUATRO PATAS.**
4. Conecte el cable de corriente al tomacorriente descargado a tierra. **NOTA:** Verifique para asegurarse de que la electricidad está apagada en el cortacircuitos/ caja de fusibles antes de conectar el cable de corriente al tomacorriente.
5. Encienda la electricidad en el cortacircuitos/ caja de fusibles.

⚠ **PRECAUCIÓN:** Antes de operar la secadora, asegúrese de que el área de la secadora esté libre de materiales combustibles, gasolina y otros vapores inflamables. Verifique también que ningún objeto (tales como cajas, ropa, etc.) obstruya el flujo de combustión y ventilación de aire.

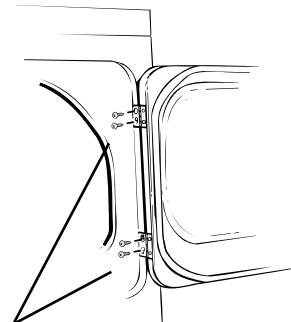
6. Opere la secadora durante un ciclo para verificar su funcionamiento.

NOTA: En secadoras a gas, antes de que se ilumine la hornilla, es necesario eliminar el aire de la tubería de gas. Si la hornilla no se enciende en 45 segundos la primera vez que se enciende la secadora, el interruptor de seguridad apagará la hornilla. Si esto sucede, **APAGUE** el temporizador y espere 5 minutos antes de intentar encender de nuevo.

7. Si su secadora no funciona, verifique la sección *Consejos para la solución de problemas* en este manual antes de llamar a mantenimiento.
8. Coloque estas instrucciones en un lugar cercano a la secadora para referencias futuras.

CÓMO INVERTIR EL LADO AL QUE ABRA LA PUERTA DE LA SECADORA

1. Abra la puerta de la secadora. Retire los 4 tapones o tornillos de las bisagras del lado izquierdo de la abertura de la puerta. Coloque cerca para instalaciones futuras. **NOTA:** Podría necesitar un cuchillo de plástico para sacar los tapones. Tenga cuidado de no raspar la pintura.
2. Retire los cuatro tornillos que fijan las bisagras de la puerta al panel frontal de la secadora. **NOTA:** Primero retire 1 tornillo de cada una de las 2 bisagras. Sostenga la puerta firmemente antes de retirar los 2 tornillos restantes.
3. Gire la puerta 180° y reinstale las bisagras de la puerta al panel frontal de la secadora con los 4 tornillos.
4. Instale los 4 tornillos o tapones que fueron retirados en el paso 1 en los agujeros abiertos del lado derecho de la abertura de la puerta.



Retire los 4 tornillos—primero uno para cada bisagra

Antes de llamar para solicitar servicio...



Consejos para la solución de problemas
¡Ahorre tiempo y dinero! Consulte primero las tablas de las páginas siguientes y quizás no necesite llamar al servicio.

Problema	Causas posibles	Qué hacer
La secadora no enciende	La secadora está desenchufada	• Asegúrese de que el enchufe esté completamente colocado en el tomacorriente.
	Fusible quemado/disyuntor desconectado	• Revise la caja de fusibles/disyuntores y reemplace el fusible o reconecte el disyuntor. NOTA: Secadoras eléctricas usan dos fusibles/disyuntores.
	Limitador térmico activado	• Verifique que no haya obstrucciones en la ventilación. Llame a un instalador autorizado para reemplazar su equipo, si es necesario.
La secadora no calienta	Fusible quemado/disyuntor desconectado; es posible que la secadora gire sin calentar	• Revise la caja de fusibles/disyuntores y reemplace ambos fusibles y reconecte ambos disyuntores. Es posible que la secadora gire si únicamente un fusible se ha quemado o un solo disyuntor ha saltado.
	Se ha cortado el suministro de gas	• Asegúrese que la válvula de cierre en la secadora y la válvula maestra está completamente abierta.
	El tanque de suministro de gas LP está vacío o se ha producido una interrupción en el servicio de gas natural (en los modelos a gas)	• Rellene o reemplace el tanque. La secadora se deberá calentar cuando se reestablezca el servicio de gas.
La secadora tiembla o produce ruido	Un poco de temblor/ruido es normal. La secadora podría estar desnivelada	• Coloque la secadora en un lugar con piso nivelado, o ajuste las patas niveladoras según sea necesario hasta que esté nivelada.
Manchas de grasa en la ropa	Uso inapropiado de suavizador de telas	• Siga las direcciones en el envase del suavizador de telas.
	Secado de artículos sucios con limpios	• Utilice su secadora para secar únicamente artículos limpios. Los artículos sucios pueden manchar los artículos limpios y la secadora.
	Las prendas no están completamente limpias	• Algunas manchas que no se pueden ver cuando las prendas están mojadas <i>aparecen</i> después del secado. Utilice procedimientos apropiados de lavado antes del secado.
Pelusa en las prendas	El filtro de pelusa está lleno	• Limpie el filtro antes de cada carga.
	Clasificación incorrecta	• Clasifique las prendas que producen pelusa (como felpilla) de las prendas que juntan pelusa (como la pana).
	La electricidad estática puede atraer pelusa	• Consulte las sugerencias en esta sección bajo <i>Ocurre estática</i> .
	Sobrecarga	• Separe las cargas más grandes en menor tamaño.
	Papel, servilletas, etc., quedan dentro de los bolsillos de la ropa	• Vacíe todos los bolsillos antes de lavar la ropa.

Seguridad

Operación

Instrucciones de instalación

Solucionar problemas

Soporte al consumidor

Antes de llamar para solicitar servicio...

Problema	Causas posibles	Qué hacer
Ocurre estática	Sobresecado	<ul style="list-style-type: none"> • Intente utilizar un suavizador de telas. • Ajuste los controles para disminuir el secado.
	No se utilizó ningún tipo de suavizador de telas	<ul style="list-style-type: none"> • Intente utilizar un suavizador de telas.
	Artículos sintéticos, planchado permanente y combinaciones pueden causar estática	<ul style="list-style-type: none"> • Intente utilizar un suavizador de telas.
Plazos de secado inconsistentes	Tipo de calor	<ul style="list-style-type: none"> • Los plazos de secado automático pueden variar según el tipo de calor utilizado (eléctrico, gas natural o LP), tamaño de la carga, tipos de telas, humedad de la ropa y la condición de los conductos de extracción.
Secar las prendas toma demasiado tiempo	Clasificación incorrecta	<ul style="list-style-type: none"> • Separe las prendas pesadas de las livianas (generalmente una carga de lavado bien clasificada es una carga de secado bien clasificada).
	Cargas grandes de telas pesadas (como toallas de playa)	<ul style="list-style-type: none"> • Las telas grandes y pesadas contienen más humedad y toman más tiempo para secar. Separe las telas grandes y pesadas en cargas de menor tamaño para agilizar el plazo de secado.
	Los controles no están programados correctamente	<ul style="list-style-type: none"> • Corresponde los ajustes de control a la carga que está secando.
	El filtro de pelusa está lleno	<ul style="list-style-type: none"> • Limpie el filtro de pelusa antes de cada carga.
	Conductos inadecuados u obstruidos	<ul style="list-style-type: none"> • Revise las <i>Instrucciones de instalación</i> para sistemas de conductos/ventilación correctos. • Asegúrese de que los conductos estén limpios, libres de puntos de agarre y no estén obstruidos. • Revise observando que el regulador de pared exterior esté funcionando con facilidad. • Revise las <i>Instrucciones de instalación</i> para asegurar que el sistema de ventilación de la secadora es correcto.
	Fusibles quemados/disyuntor desconectado	<ul style="list-style-type: none"> • Reemplace los fusibles o reconecte los disyuntores. Ya que la mayoría de las secadoras utilizan 2 fusibles/disyuntores, asegúrese de que ambos funcionen.
	Sobrecarga/combinación de cargas	<ul style="list-style-type: none"> • No coloque más de una carga de la lavadora en la secadora al mismo tiempo.
Las prendas están arrugadas	Sobresecado	<ul style="list-style-type: none"> • Seleccione un plazo de secado más breve. • Retire las prendas mientras están húmedas. Seleccione un ajuste LESS DRY (MENOS SECO).
	Las prendas permanecen en la secadora después que ha terminado el ciclo	<ul style="list-style-type: none"> • Retire las prendas cuando finaliza el ciclo y doble o cuélguelas inmediatamente.
	Sobrecarga	<ul style="list-style-type: none"> • Separe las cargas más grandes en más pequeñas.
Las prendas se encogen	Algunas telas se encogen de manera natural cuando se lavan. Otras pueden lavarse sin problemas, pero se encogerán en la secadora	<ul style="list-style-type: none"> • Para evitar encoger las prendas, siga las instrucciones de las etiquetas exactamente. • Algunas prendas pueden plancharse nuevamente a su forma original después de secarlas. • Si tiene dudas sobre si una prenda en particular encogerá, no la lave a máquina ni la seque con giro.

Códigos de error

Si la secadora se detiene, las luces de estado destellan y se emite un pitido, ha ocurrido un error. Presione PAUSE/CANCEL. Consulte la Tabla de códigos de error para ver la causa posible y la solución. Haga la corrección, elija un ciclo y presione START. Si la secadora se detiene, las luces de estado destellan de nuevo y el pitido continúa, comuníquese con el servicio de asistencia.

Código de error, error	Causas posibles	Qué hacer
4 pitidos, La secadora funcionó durante mucho tiempo	Filtro de pelusa bloqueado, sistema de ventilación obstruido o la secadora sobrecargada	<ul style="list-style-type: none">• Quite la pelusa; lave el filtro de pelusa para quitar el residuo de la toalla suavizante. Limpie el sistema de ventilación. Reduzca el tamaño de la carga.
6 pitidos, El botón de presión no funciona	El botón de presión se sostuvo durante mucho tiempo o se trabó en el panel de control	<ul style="list-style-type: none">• Presione los botones suavemente y libere. Destrabe el botón.

Seguridad

Operación

Instrucciones de instalación

Solucionar problemas

Soporte al consumidor

Notas.

Soporte al consumidor	Solucionar problemas	Instrucciones de instalación	Operación	Seguridad
------------------------------	-----------------------------	-------------------------------------	------------------	------------------

Garantía de la secadora GE.



Todos los servicios de garantía se ofrecen a través de nuestros centros de asistencia técnica o un técnico autorizado de Customer Care®. Para programar servicio de asistencia técnica en línea visite la página GEAppliances.com o llame al 800.GE.CARES (1.800.432.2737). Cuando llame para solicitar servicio, por favor tenga a mano el número de serie y el número de modelo.

Engrape el recibo aquí.
Se necesita el comprobante con la fecha de compra original para que la garantía cubra los servicios.

Por el período de: **GE reemplazará:**

Un año
De la fecha de la compra original

Cualquier parte de la secadora que falle debido a defectos en los materiales o en la fabricación. Durante esta **garantía limitada de un año**, GE también proporcionará, **sin costo alguno**, toda la mano de obra y servicios relacionados con el reemplazo de las partes defectuosas.

Lo que no está cubierto:

- Viajes del personal de servicio a su casa para enseñarle cómo usar su producto.
- Instalación, entrega o mantenimiento inapropiada.
- Fallas del producto si es maltratado, mal usado, o usado para un propósito diferente del que se creó o si es usado para usos comerciales.
- Cambio de los fusibles de su casa o reajuste del circuito de interruptores.
- Daños al producto causados por accidentes, incendios, inundaciones o actos de la naturaleza.
- Daños imprevistos resultantes causados por posibles defectos con este electrodoméstico.
- Daños causados después del envío.
- Producto no accesible para facilitar el servicio requerido.

EXCLUSIÓN DE GARANTÍAS IMPLÍCITAS—Su único y exclusivo derecho es la reparación del producto, tal y como se indica en esta Garantía limitada. Cualquier garantía implícita, incluyendo las garantías implícitas de comerciabilidad o adecuación para un fin determinado, están limitadas a un año o el período de tiempo más breve permitido por la ley.

Esta garantía se extiende al comprador original y a cualquier propietario subsecuente para productos comprados para uso doméstico dentro Estados Unidos. Si el producto está situado en un área que no dispone de servicio por parte de un proveedor de servicio autorizado de GE, podría tener que hacerse cargo de los costes de envío o bien podría solicitársele que lleve el producto a un centro de servicio de GE autorizado para realizar la reparación. En Alaska, la garantía excluye el costo de envío o las visitas de servicio a su casa.

Algunos estados no permiten la exclusión o limitación de daños imprevistos. Esta garantía le da sus derechos legales específicos, y es posible que usted tenga otros derechos legales que varían de estado a estado. Para informarse de cuáles son sus derechos legales, consulte a su oficina de asuntos del consumidor local o estatal o póngase en contacto con la Oficina de su Procurador General.

Garante: General Electric Company, Louisville, KY 40225

Seguridad

Operación

Instrucciones de instalación

Solucionar problemas

Soporte al consumidor

Soporte al consumidor.



Página Web de GE Appliances

GEAppliances.com

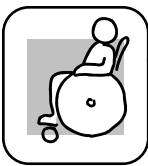
¿Tiene alguna pregunta sobre su electrodoméstico? ¡Pruebe la página Web de GE Appliances 24 horas al día, cualquier día del año! Para mayor conveniencia y servicio más rápido, ya puede descargar los Manuales de los Propietarios, pedir piezas o incluso hacer una cita en línea para que vengan a realizar una reparación.



Solicite una reparación

GEAppliances.com

El servicio de expertos GE está a tan sólo un paso de su puerta. ¡Entre en línea y solicite su reparación cuando le venga cualquier día del año! O llame al 800.GE.CARES (800.432.2737) durante horas normales de oficina.



Real Life Design Studio (Estudio de diseño para la vida real) ***GEAppliances.com***

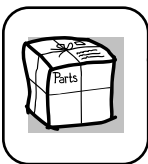
GE apoya el concepto de Diseño Universal—productos, servicios y ambientes que pueden usar gente de todas las edades, tamaños y capacidades. Reconocemos la necesidad de diseñar para una gran gama de habilidades y dificultades físicas y mentales. Para más detalles sobre las aplicaciones de GE Diseño Universal, incluyendo ideas de diseño para la cocina para personas con discapacidades, mire nuestra página Web hoy mismo. Para personas con dificultades auditivas, favor de llamar al 800.TDD.GEAC (800.833.4322).



Garantías ampliadas

GEAppliances.com

Compre una garantía ampliada y obtenga detalles sobre descuentos especiales disponibles mientras su garantía está aún activa. Puede comprarla en línea en cualquier momento, o llamar al 800.626.2224 durante horas normales de oficina. GE Consumer Home Services estará aún ahí cuando su garantía termine.



Piezas y accesorios

GEAppliances.com

Aquellos individuos con la calificación necesaria para reparar sus propios electrodomésticos pueden pedir que se les manden las piezas o accesorios directamente a sus hogares (aceptamos las tarjetas VISA, MasterCard y Discover). Haga su pedido en línea hoy, 24 horas cada día o llamar por teléfono al 800.626.2002 durante horas normales de oficina.

Las instrucciones descritas en este manual cubren los procedimientos a seguir por cualquier usuario. Cualquier otra reparación debería, por regla general, referirse a personal calificado autorizado. Debe ejercerse precaución ya que las reparaciones incorrectas pueden causar condiciones de funcionamiento inseguras.



Póngase en contacto con nosotros

GEAppliances.com

Si no está satisfecho con el servicio que recibe de GE, póngase en contacto con nosotros en nuestra página Web indicando todos los detalles así como su número de teléfono o escribanos a:

General Manager, Customer Relations
GE Appliances, Appliance Park
Louisville, KY 40225



Registre su electrodoméstico

GEAppliances.com

¡Registre su nuevo electrodoméstico en línea—cuando usted prefiera! El registrar su producto a tiempo le proporcionará, si surgiera la necesidad, una mejor comunicación y un servicio más rápido bajo los términos de su garantía. También puede enviar su tarjeta de registro pre-impresa que se incluye en el material de embalaje.