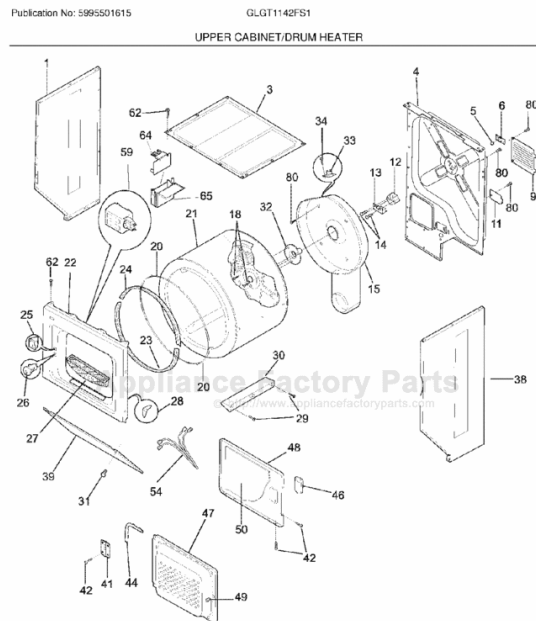


This Owner's Manual is provided and hosted by Appliance Factory Parts.



FRIGIDAIRE GLGT1142FS1 Owner's Manual

[Shop genuine replacement parts for FRIGIDAIRE
GLGT1142FS1](#)



P17U0061

10/07

2

[Find Your FRIGIDAIRE Dryer Parts - Select From 280 Models](#)

----- Manual continues below -----

27" (69 cm) Wide
LAUNDRY CENTER
 Washer - Dryer
 Installation Instructions

CENTRO DE LAVANDERÍA
 de 27" (69 cm) de ancho
 Lavadora - Secadora
 Instrucciones para la instalación

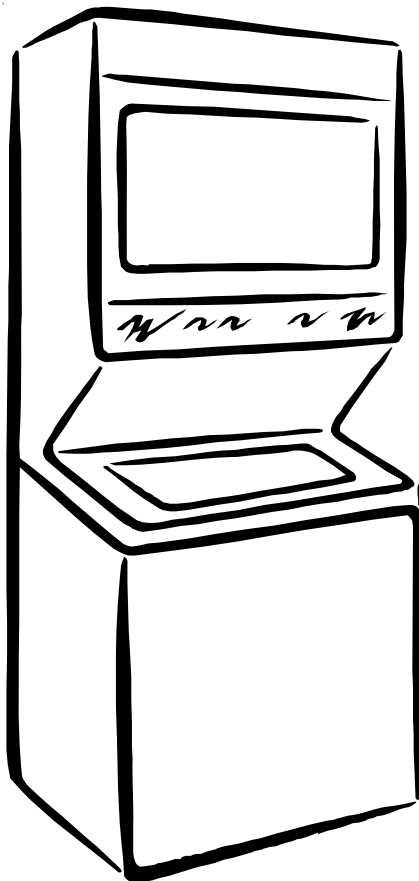


Table Of Contents

<u>SUBJECT</u>	<u>PAGE</u>
Pre-Installation Requirements.....	2
Electrical Requirements.....	3
Water Supply Requirements	3
Drain Requirements.....	3
Exhaust System Requirements	4-5
Gas Supply Requirements	5
Location.....	5
Rough-In Dimensions.....	6
Mobile Home Installation.....	7
Unpacking.....	7
Electrical Installation.....	8
Grounding Requirements.....	8
3 & 4-Wire Connections	9
Installation.....	10-11
Replacement Parts.....	11

P/N 134897500B (0904)

Indice

<u>MATERIA</u>	<u>PAGINA</u>
Requerimientos de instalación preliminares.....	12
Requerimientos eléctricos.....	13
Requerimientos del suministro de agua.....	13
Requerimientos de desagüe.....	13
Requerimientos del sistema de escape.....	14-15
Requerimientos del suministro de gas.....	15
Ubicación.....	15
Dimensiones para la instalación.....	16
Instalación en casas móviles.....	17
Desembalaje.....	17
Instalación eléctrica.....	18
Requerimientos para la puesta a tierra.....	18
Conexiones eléctricas - trifilares y tetrafilares.....	18-19
Instalación.....	19-20
Repuestos.....	20

www.frigidaire.com


IMPORTANT SAFETY INSTRUCTION

 This is the safety alert symbol. This symbol alerts you to hazards that can kill or hurt you or others. All safety messages will be preceded by the safety alert symbol and the word "DANGER" or "WARNING". These words mean:

 **DANGER** *You can be killed or seriously injured if you don't immediately follow instructions.*

 **WARNING** *You can be killed or seriously injured if you don't follow instructions.*

All safety messages will identify the hazard, tell you how to reduce the chance of injury, and tell you what can happen if the instructions are not followed.

 **WARNING** For your safety the information in this manual must be followed to minimize the risk of fire or explosion or to prevent property damage, personal injury or loss of life. Do not store or use gasoline or other flammable vapors and liquid in the vicinity of this or any other appliance.

Read all of the following instructions before installing and using this appliance.

- Destroy the carton and plastic bags after the Laundry Center is unpacked. Children might use them for play. Cartons covered with rugs, bedspreads, or plastic sheets can become airtight chambers causing suffocation. Place all materials in a garbage container or make materials inaccessible to children.
- Installations must be performed by a qualified or licensed contractor, plumber, or gasfitter qualified or licensed by the state, province, or region where this appliance is being installed.
- Before beginning installation, carefully read these instructions. This will simplify the installation and ensure the Laundry Center is installed correctly and safely. Leave these instructions near the Laundry Center after installation for future reference.
- The electrical service to the Laundry Center must conform with local codes and ordinances and the latest edition of the National Electrical Code, ANSI/NFPA 70, or in Canada, the Canadian electrical code C22.1 part 1.
- The gas service to the Laundry Center must conform with local codes and ordinances and the latest edition of the National Fuel Gas Code ANSI Z223.1, or in Canada, CAN/ACG B149.1-2000.
- The Laundry Center is designed under ANSI Z 21.5.1 or ANZI/UL 2158 - CAN/CSA C22.2 No. 112 (latest editions) for HOME USE only. This Laundry Center is not recommended for commercial applications such as restaurants or beauty salons, etc.
- Do not install a Laundry Center with flexible plastic venting materials. Flexible venting materials are known to collapse, be easily crushed and trap lint. These conditions will obstruct clothes dryer airflow and increase the risk of fire.
- Your safety and the safety of others is very important. We have provided many important safety messages in the Installation Instructions / Use & Care Guide and on your appliance. Always read and obey all safety messages.
- The instructions in this manual and other literature included with this dryer are not meant to cover every possible condition and situation that may occur. Good safe practice and caution MUST be applied when installing, operating and maintaining any appliance.

WHAT TO DO IF YOU SMELL GAS

- Do not try to light any appliance.
- Do not touch any electrical switch; do not use any phone in your building.
- Clear the room, building or area of all occupants.
- Immediately call your gas supplier from a neighbor's phone. Follow the gas supplier's instructions.
- If you cannot reach your gas supplier, call the fire department.

PRE-INSTALLATION REQUIREMENTS

Tools and Materials Required for Installation:

- Adjustable pliers.
- Phillips, straight, & square bit screwdrivers.
- Adjustable wrench.
- Pipe wrench for gas supply (gas dryer).
- LP-resistant thread tape (for natural gas or LP supply, gas dryer)
- Carpenter's level.
- External vent hood.
- Rigid or semi-rigid metal 4 inch (10.2 cm) exhaust duct work.
- 3-wire or 4-wire 240 volt corg kit (electric dryer).
- 4 in. (10.2 cm) clamp.
- Gas line shutoff valve (gas dryer).
- ½ NPT union flare adapters (x2) and flexible gas supply line (gas dryer).
- Metal foil tape not (duct tape).

ELECTRICAL REQUIREMENTS

ELECTRIC Laundry Center

CIRCUIT - Individual 30 amp. branch circuit fused with 30 amp. time delay fuses or circuit breakers.

Use separately fused circuits for washers and dryers, and **DO NOT** operate a washer and a dryer on the same circuit.

POWER SUPPLY - 3 wire or 4-wire, 240 volt, single phase, 60 Hz, Alternating Current.

POWER SUPPLY CORD KIT - 3 wire - the dryer **MUST** employ a 3-conductor power supply cord NEMA 10-30 type SRDT rated at 240 volt AC minimum, 30 amp., with 3 open end spade lug connectors with upturned ends or closed loop connectors and marked for use with clothes dryers. See ELECTRICAL CONNECTIONS FOR A 3-WIRE SYSTEM.

4 wire - The dryer **MUST** employ a 4-conductor power supply cord NEMA 14-30 type SRDT or ST (as required) rated at 240 volt AC minimum, 30 amp., with 4 open end spade lug connectors with upturned ends or closed loop connectors and marked for use with clothes dryers. See ELECTRICAL CONNECTIONS FOR A 4-WIRE SYSTEM.

(Canada - 4-wire power supply cord is installed on dryer.)

WARNING – Risk of Shock. Appliance grounded to neutral conductor through a link. Grounding through the neutral link is prohibited for (1) New branch circuit installations (2) mobile homes; (3) recreational vehicles; and (4) areas where local codes do not permit grounding through the neutral, (1) disconnect the link from the neutral, (2) use grounding terminal or lead to ground appliance in accordance with local codes and (3) connect neutral terminal or lead to branch circuit neutral in usual manner (if the appliance is to be connected by means of a cord kit, use 4-conductor cord for this purpose). USE COPPER CONDUCTOR ONLY.

OUTLET RECEPTACLE - NEMA 10-30R receptacle to be located so the power supply cord is accessible when the dryer is in the installed position. (Canada - NEMA 14-30R receptacle.)



NEMA 10-30R



NEMA 14-30R

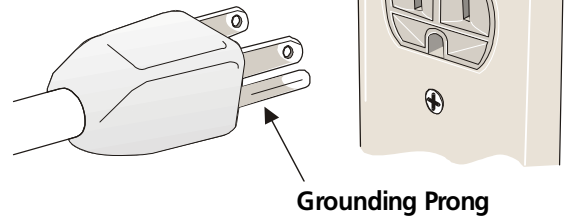
GAS Laundry Center

CIRCUIT - Individual 15 amp minimum branch circuit fused with a time delay fuse or circuit breaker.

POWER SUPPLY -3 wire, 120 volt single phase, 60 Hz, Alternating Current.

POWER SUPPLY CORD -The gas laundry center is equipped with a 120 volt 3-wire power cord.

NOTE: Do not under any circumstances remove grounding prong from plug.

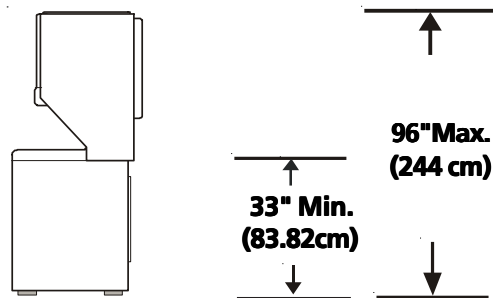


WATER SUPPLY REQUIREMENTS

Hot and cold water faucets **MUST** be installed within 42 inches (106.68 cm) of your laundry center's water inlet. The faucets **MUST** be 3/4 inch (1.9 cm) garden hose type so inlet hoses can be connected. Water pressure **MUST** be between 10 and 120 pounds per square inch (maximum unbalance pressure, hot vs. cold, 10 psi). Your water department can advise you of your water pressure.

DRAIN REQUIREMENTS

1. Drain capable of eliminating 17 gals. per minute.
2. A standpipe diameter of 1¼ inches (3.18 cm) minimum.
3. The standpipe height above the floor should be:
Minimum height: 33 inches (83.82 cm)
Maximum height: 96 inches (244 cm)



NOTE: For installations requiring a longer drain hose, have a qualified technician install a longer hose, PIN 134049201, available from an authorized parts distributor. For drain systems in the floor, install a siphon break kit, available from your local hardware store .

EXHAUST SYSTEM REQUIREMENTS

Use only 4 inch (10.2 cm) diameter (minimum) rigid or flexible **metal** duct and approved vent hood which has a swing-out damper(s) that open when the dryer is in operation. When the dryer stops, the dampers automatically close to prevent drafts and the entrance of insects and rodents. To avoid restricting the outlet, maintain a minimum of 12 inches (30.5 cm) clearance between the vent hood and the ground or any other obstruction.

⚠ WARNING *The following are specific requirements for proper and safe operation of your dryer. Failure to follow these instructions can create excessive drying times and fire hazards.*

⚠ WARNING *Do not install a clothes dryer with flexible plastic venting materials.* If your present system is made up of plastic duct or metal foil duct, **replace it** with a rigid or flexible metal duct. Flexible venting materials are known to collapse, be easily crushed and trap lint. These conditions will obstruct clothes dryer airflow and increase the **risk of fire**. **Ensure the present duct is free of any lint prior to installing dryer duct.**



⚠ CAUTION - **Risk of Fire** - **A clothes dryer must be exhausted outdoors.** Do not exhaust dryer into a chimney, a wall, a ceiling, an attic, a crawl space or any concealed space of a building. A clothes dryer produces combustible lint. If the dryer is not exhausted outdoors, some fine lint will be expelled into the laundry area. An accumulation of lint in any area of the home can create a health and fire hazard. **The dryer must be connected to an exhaust outdoors.** Regularly inspect the outdoor exhaust opening and remove any accumulation of lint around the outdoor exhaust opening and in the surrounding area.

⚠ WARNING *Do not allow combustible materials (for example: clothing, draperies/curtains, paper) to come in contact with exhaust system.* The dryer **MUST NOT** be exhausted into a chimney, a wall, a ceiling, or any concealed space of a building which can accumulate lint, resulting in a fire hazard.

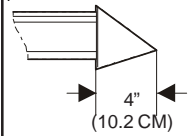
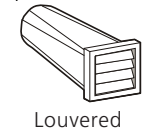
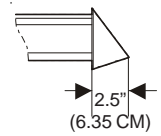
⚠ WARNING *Exceeding the length of duct pipe or number of elbows allowed in the "MAXIMUM LENGTH" charts can cause an accumulation of lint in the exhaust system. Plugging the system could create a fire hazard, as well as increase drying times.*

⚠ WARNING *Do not screen the exhaust ends of the vent system, nor use any screws, rivets or other fastening means that extend into the duct and catch lint to assemble the exhaust system.* Lint can become caught in the screen, on the screws or rivets, clogging the duct work and creating a fire hazard as well as increasing drying times. Use an approved vent hood to terminate the duct outdoors, and seal all joints with duct tape. All male duct pipe fittings **MUST** be installed downstream with the flow of air.

⚠ WARNING *Explosion hazard. Do not install the dryer where gasoline or other flammables are kept or stored.* If the dryer is installed in a garage, it must be a minimum of 18 inches (45.7 cm) above the floor. Failure to do so can result in death, explosion, fire or burns. The exhaust system back pressure **MUST** not exceed 0.6 inches (1.52 cm) of water column, measured with an inclined manometer at the point the exhaust connects to the dryer. The exhaust system should be inspected and cleaned a minimum of every **18 months** with normal usage. The more the dryer is used, the more often you should check the exhaust system and vent hood for proper operation.

The maximum length of the exhaust system depends upon the type of duct used, number of elbows and type of exhaust hood.

The maximum length for both rigid and flexible duct is shown in the chart below.

EXHAUST DUCT LENGTHS			
EXHAUST HOOD TYPE			
Number of 90° Turns			
	4" (10.2 CM)	Louvered	2.5" (6.35 CM)
MAXIMUM LENGTH OF 4-INCH (10.2 CM) DIAMETER RIGID METAL DUCT			
0	56 ft. (17.07 m)		42 ft. (12.8 m)
1	46 ft. (14.02 m)		36 ft. (10.97 m)
2	34 ft. (10.36 m)		28 ft. (8.53 m)
3	32 ft. (9.75 m)		18 ft. (5.48 m)

⚠ WARNING *Do not install flexible plastic or flexible foil venting material. If installing semi-rigid venting, do not exceed 8 ft. (2.4m) duct length.*

The laundry center may be exhausted four (4) ways with rear **flush** installation:

1. **Straight back**
2. **Down** (8 inch [20.32 cm] length of 4 inch [10.16 cm] rigid duct and 1 elbow down)
3. **Left** (8 inch [20.32 cm] length of 4 inch [10.16 cm] rigid duct, 1 elbow down and 1 elbow left)
4. **Right** (8 inch [20.32 cm] length of 4 inch [10.16 cm] rigid duct, 1 elbow down and 1 elbow right)

To exhaust up, add an 11 inch (27.94 cm) length of standard 4 inch (10.16 cm) diameter duct and a 90° elbow. The unit will be positioned about 4½ inches (11.43 cm) away from the wall (flush to wall exhausting may be done by going below the dryer then sideways).

An exhaust hood positioned to line up with the dryer exhaust can be installed directly through the outside wall. To exhaust to the side or down, add an 8 inch (20.32 cm) length of standard 4 inch (10.16 cm) diameter duct and a 90° elbow.



GAS SUPPLY REQUIREMENTS

1. Installation **MUST** conform with local codes, or in the absence of local codes, with the National Fuel Gas Code, ANSI Z223.1 (latest edition) or in Canada, the current AN/CGA B149.
2. The gas supply line should be of 1/2 inch (1.27 cm) pipe.
3. If codes allow, flexible metal tubing may be used to connect your dryer to the gas supply line. The tubing **MUST** be constructed of stainless steel or plastic-coated brass.
4. The gas supply line **MUST** have an individual shutoff valve.
5. A 1/8 inch (0.32 cm) N. P. T. plugged tapping, accessible for test gage connection, **MUST** be installed immediately upstream of the gas supply connection to the dryer.
6. The dryer and its individual shutoff valve **MUST** be disconnected from the gas supply piping system during any pressure testing of the gas supply piping system at test pressures equal to or less than 1/2 psig (3.45 kPa).
7. The dryer **MUST** be isolated from the gas supply piping system by closing its individual manual shutoff valve during any pressure testing of the gas supply piping system at test pressures equal to or less than 1/2 psig (3.45 kPa).

LOCATION OF YOUR LAUNDRY CENTER

DO NOT INSTALL YOUR LAUNDRY CENTER:

1. In an area exposed to dripping water or outside weather conditions.
2. In an area where it will come in contact with curtains or drapes.
3. On carpet. Floor **MUST** be solid with a maximum slope of 1 inch (2.54 cm).

INSTALLATION IN RECESS OR CLOSET

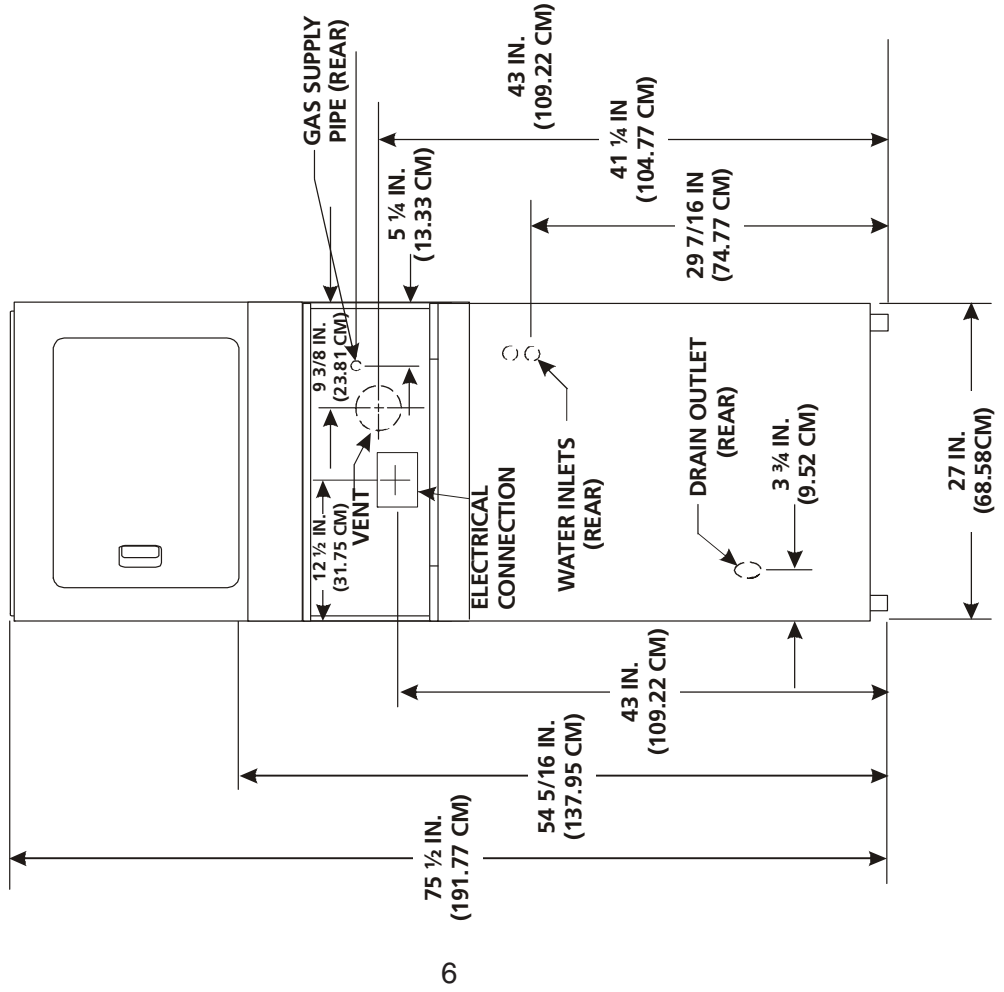
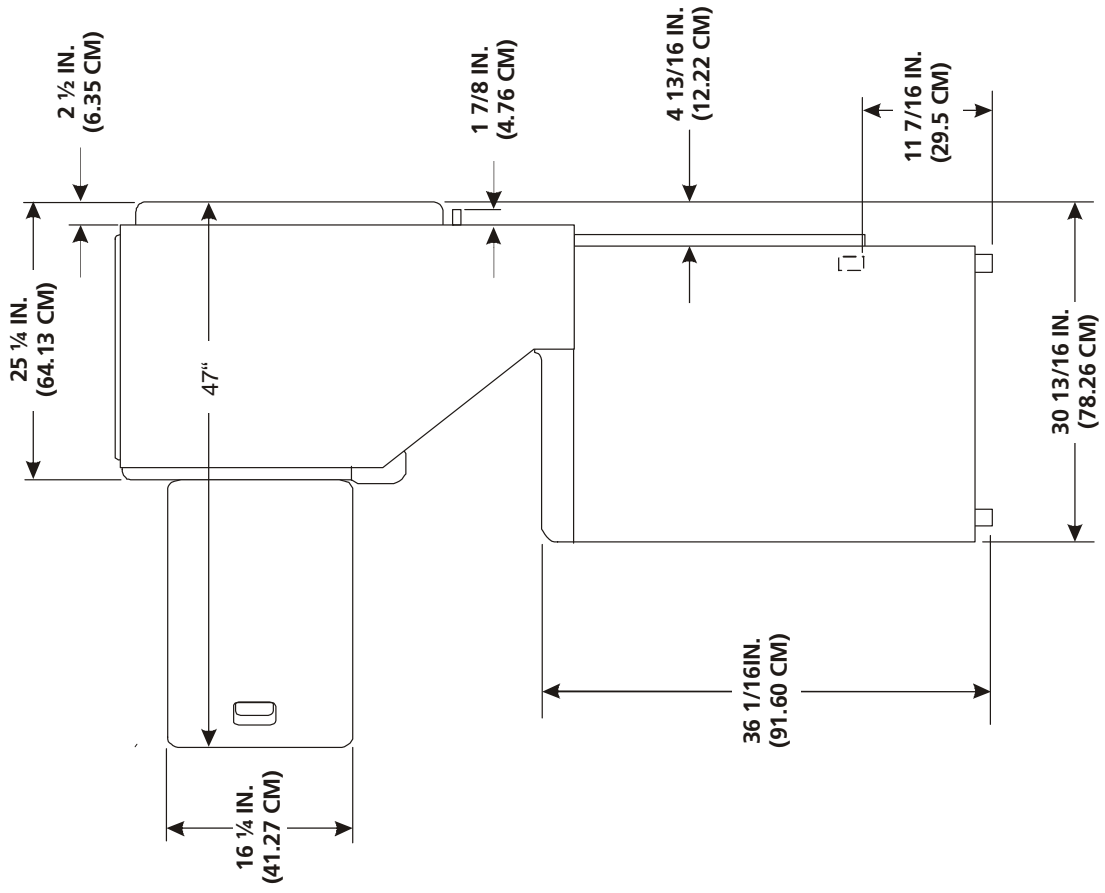
1. A laundry center installed in a bedroom, bathroom, recess or closet, **MUST** be exhausted outdoors.
2. No other fuel burning appliance shall be installed in the same closet as the **Gas** laundry center.
3. Your laundry center needs the space around it for proper ventilation.

DO NOT INSTALL YOUR LAUNDRY CENTER IN A CLOSET WITH A SOLID DOOR.

4. A minimum of 120 square inches (774.2 square cm) of opening, equally divided at the top and bottom of the door, is required. Air openings are required to be unobstructed when a door is installed. A louvered door with equivalent air openings for the full length of the door is acceptable.
5. The following illustrations show minimum clearance dimensions and air openings for proper operation in a recess or closet installation.



ROUGH-IN DIMENSIONS



MOBILE HOME INSTALLATION

1. Dryer **MUST** be exhausted outside (outdoors, not beneath the mobile home) using metal ducting that will not support combustion. Metal ducting must be 4 inches (10.16 cm) in diameter with no obstructions. Rigid metal duct is preferred.
2. If dryer is exhausted through the floor and area beneath the mobile home is enclosed, the exhaust system **MUST** terminate outside the enclosure with the termination securely fastened to the mobile home structure.
3. Refer to page 4 for other important venting requirements.
4. When installing a gas dryer into a mobile home, a provision must be made for outside make up air. This provision is to be not less than twice the area of the dryer exhaust outlet.
5. Installation **MUST** conform to current Manufactured Home Construction & Safety Standard (which is a Federal Regulation Title 24 CFR-Part 32-80) or when such standard is not applicable, with American National Standard for Mobile Homes. In Canada, the CSA Z240 is applicable.



⚠ WARNING The laundry center is designed under ANSI Z 21.5.1 for **HOME USE** only.

UNPACKING

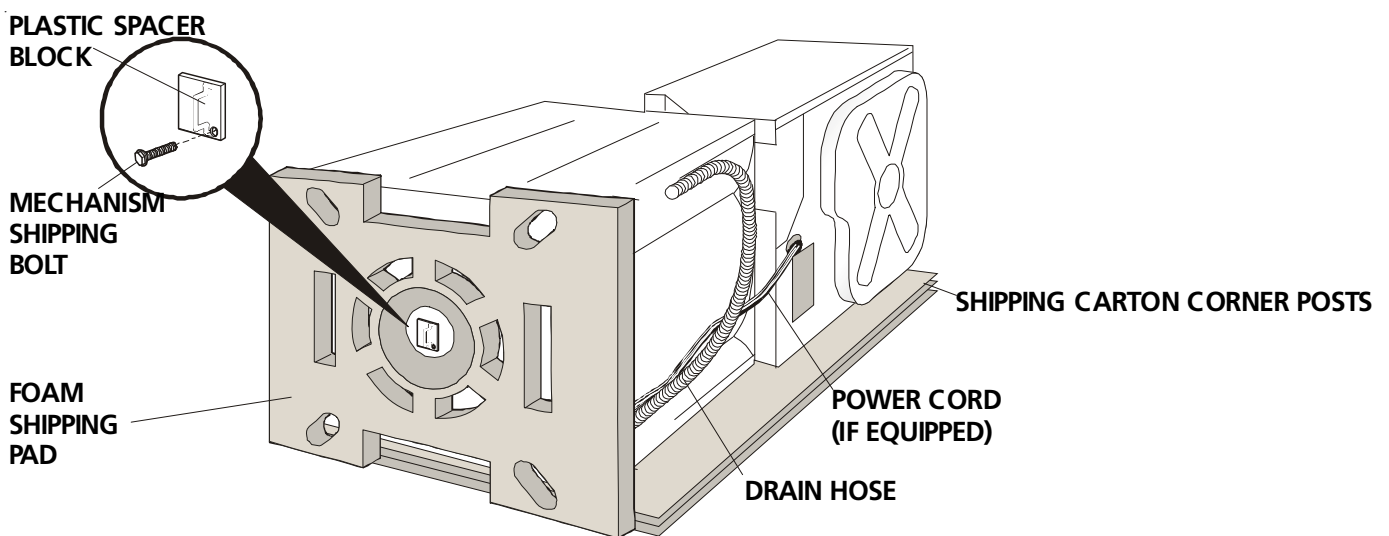
1. Using the four shipping carton corner posts (two on each side), carefully lay the laundry center on its left side and remove foam shipping base.

⚠ CAUTION **Excessive weight. Use two or more people to move Laundry Center.**

2. Using a ratchet with 3/8 inch (0.96 cm) socket, remove the mechanism shipping bolt and plastic spacer block from the center of the base.

NOTE: If the laundry center is to be transported at a later date, the tub blocking pad, shipping bolt, and plastic spacer block should be retained.

3. Return laundry center to an upright position.
4. Remove:
 - (a) foam tub blocking pad.
 - (b) tape from dryer door.
 - (c) foam dryer support pads.
 - (d) inlet hoses.
 - (e) enclosure package.
5. From the back of the washer, remove the wire shipping clips securing the drain hose and power cord (if equipped). Plastic clamps secure the drain hose to the right side of the washer backsheet. These clamps form a standpipe to prevent water syphoning. **DO NOT REMOVE THESE CLAMPS.**
6. Carefully move the laundry center to within 4 feet (1.22 m) of the final location to begin the installation.



ELECTRICAL INSTALLATION

ALL ELECTRIC Laundry Centers

⚠ WARNING The following are specific requirements for proper and safe electrical installation of your laundry center. Failure to follow these instructions can create electrical shock and/or a fire hazard.

⚠ WARNING This appliance **MUST** be properly grounded. Electrical shock can result if the laundry center is not properly grounded. Follow the instructions in this manual for proper grounding.

⚠ WARNING Do not use an extension cord with this laundry center. Some extension cords are not designed to withstand the amounts of electrical current this laundry center utilizes and can melt, creating electrical shock and/or fire hazard. Locate the laundry center within reach of the receptacle for the length power cord to be purchased, allowing some slack in the cord. Refer to the pre-installation requirements in this manual for the proper power cord to be purchased.

⚠ WARNING A U.L. approved strain relief must be installed onto power cord. If the strain relief is not attached, the cord can be pulled out of the laundry center and can be cut by any movement of the cord, resulting in electrical shock.

⚠ WARNING Do not use an aluminum wired receptacle with a copper Wired power cord and plug (or vice versa). A chemical reaction occurs between copper and aluminum and can cause electrical shorts.

The proper wiring and receptacle is a copper wired power cord with a copper wired receptacle OR aluminum wired power cord with an aluminum wired receptacle.

NOTE: Laundry centers operating on a 208 volt power supply will have longer drying times than laundry centers operating on a 240 volt power supply.

GROUNDING REQUIREMENTS

Non-Canadian ELECTRIC Laundry Center

⚠ DANGER Improper connection of the equipment grounding conductor can result in a risk of electrical shock. Check with a licensed electrician if you are in doubt as to whether the appliance is properly grounded.

For a grounded, cord-connected laundry center:

1. The laundry center **MUST** be grounded. In the event of malfunction or breakdown, grounding will reduce the risk of electrical shock by a path of least resistance for electrical current.
2. If your laundry center is equipped with a power supply cord having an equipment-grounding conductor and a grounding plug, the plug **MUST** be plugged into an appropriate, copper wired receptacle that is properly installed and grounded in accordance with all local codes and ordinances. If in doubt, call a licensed electrician. **Do not modify plug provided with the appliance.**

For a permanently connected laundry center:

The laundry center **MUST** be connected to a grounded metal, permanent wiring system; or an equipment grounding conductor **MUST** be run with the circuit conductors and connected to the equipment-grounding terminal or lead on the appliance.

Canadian ELECTRIC Laundry Center

⚠ DANGER Improper connection of the equipment grounding conductor can result in a risk of electrical shock. Check with a licensed electrician if you are in doubt as to whether the appliance is properly grounded.

For a grounded cord connected laundry center:

1. The laundry center **MUST** be grounded. In the event of malfunction or breakdown, grounding will reduce the risk of electrical shock by providing a path of least resistance for the electrical current.
2. Since your laundry center is equipped with a power supply cord having an equipment-grounding conductor and a grounding plug, the plug **MUST** be plugged into an appropriate outlet that is properly installed and grounded in accordance with all codes and ordinances. If in doubt, call a licensed electrician.

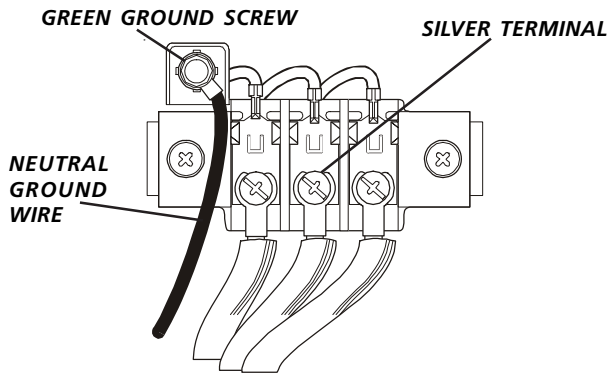
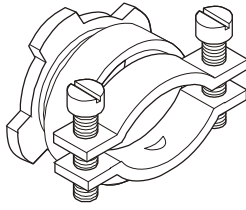
ALL GAS Laundry Centers

1. The laundry center is equipped with a three-prong (grounding) plug for your protection against shock hazard and should be plugged directly into a properly grounded three-prong receptacle. Do not cut or remove the grounding prong from the plug.

ELECTRICAL CONNECTIONS FOR A 3-WIRE SYSTEM

NON-CANADIAN ELECTRIC Laundry Center

1. Remove the screw securing the terminal block access cover to the rear panel and remove cover.
2. Install a U.L. approved strain relief connector in the entry hole on the back panel.
3. Insert a NEMA 10-30 Type SRDT, U.L. approved power cord through the strain relief.
4. Attach the power cord neutral (central wire) conductor to the silver colored center terminal on the terminal block. Tighten the screw securely.

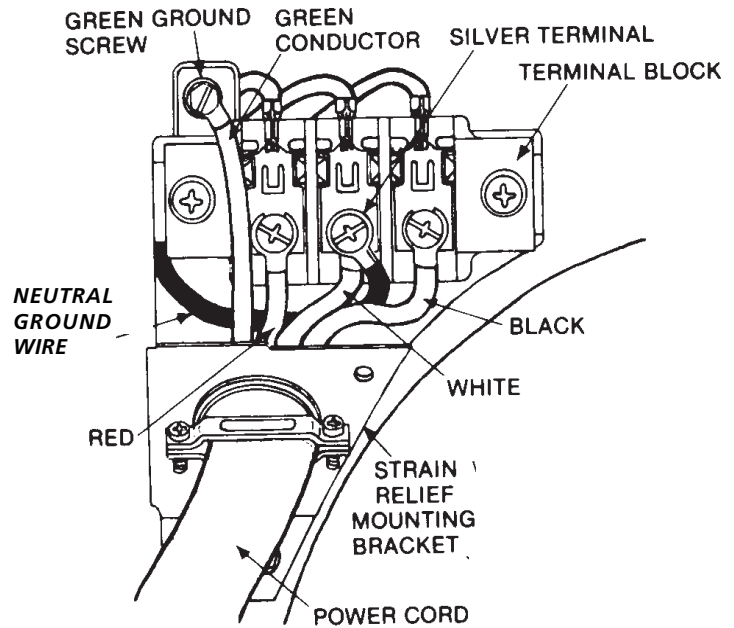
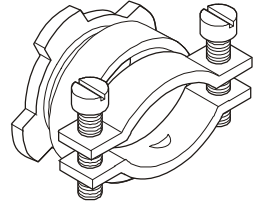


5. Attach the remaining two power cord outer conductors to the outer brass colored terminals on the terminal block. Tighten both screws securely.
6. Tighten the screws securing the cord restraint against the power cord.
7. Reinstall the terminal access cover.

ELECTRICAL CONNECTIONS FOR A 4-WIRE SYSTEM

NON-CANADIAN ELECTRIC Laundry Center

1. Remove the screw securing the terminal block access cover to the rear panel and remove cover.
2. Install a U.L. approved strain relief connector in the entry hole on the back panel.
3. Remove the neutral ground wire from the green ground screw located above the terminal block.



4. Insert a NEMA 14-30 Type ST or SRDT, U.L. approved power cord through the strain relief.
5. Attach the green power cord ground wire to the cabinet with the green ground screw.
6. Attach the white (neutral) wire from the power cord and the neutral ground wire from the appliance harness to the silver colored center terminal on the terminal block. Tighten the screw securely.
7. Attach the red and black wires from the power cord to the outer brass-colored terminals on the terminal block. Tighten both screws securely.
8. Tighten the screws securing the cord restraint firmly against the power cord.
9. Reinstall the terminal block access cover.

INSTALLATION

1. Run some water from the hot and cold faucets to flush the water lines and remove particles that might clog up the water valve screens.
2. Check inlet hoses to ensure the rubber washers are installed in each end.
3. Carefully connect the inlet hoses to the water valve (on the left side of the washer cabinet), tighten by hand, then tighten another 2/3 turn with pliers.

CAUTION DO NOT CROSS THREAD OR OVERTIGHTEN THESE CONNECTIONS.

4. Determine which water faucet is the **HOT** water faucet and carefully connect the bottom inlet hose to the **HOT** water faucet, tighten by hand, then tighten another 2/3 turn with pliers. Carefully connect the top inlet hose to the **COLD** water faucet, tighten by hand, then tighten another 2/3 turn with pliers.

CAUTION DO NOT CROSS THREAD OR OVERTIGHTEN THESE CONNECTIONS.

Turn the water on and check for leaks at both connections.

5. Carefully move the laundry center to its final location.
6. To ensure the laundry center is level and solid on all four legs, tilt the laundry center forward so the rear legs are off the ground. Gently set the laundry center back down to allow the rear legs to self adjust. Place a level on top of the washer. Check it side to side, then front to back. Screw the front leveling legs up or down to ensure the laundry center is resting solid on all four legs (no rocking of the laundry center should exist).

NOTE: Keep the leg extension at a minimum to prevent excessive vibration.

7. GAS CONNECTION (Gas laundry centers only)

- a. Remove the shipping cap from gas pipe at the rear of the dryer.

NOTE: DO NOT connect the laundry center to L.P. gas service without converting the gas valve. An L.P. conversion kit must be installed by a qualified gas technician.

- b. Connect a 1/2 inch (1.27 cm) I.D. semi-rigid or approved pipe from the gas supply line to the 3/8 inch (0.96 cm) pipe located on the back of the dryer. Use a 1/2 inch (1.27 cm) to 3/8 inch (0.96 cm) reducer for the connection. Apply an approved thread sealer that is resistant to the corrosive action of liquefied gases on all pipe connections.

- c. Open the shutoff valve in the gas supply line.
- d. Test all connections by brushing on a soapy water solution. **NEVER TEST FOR GAS LEAKS WITH AN OPEN FLAME.**

8. Form a "U" shape on the end of the drain hose with the hose pointed toward the drain. Place the formed end in a laundry tub or a standpipe and secure with a cable tie provided in the enclosure package.

WATER WILL SYPHON FROM THE WASHER IF THE ABOVE INSTRUCTIONS ARE NOT FOLLOWED.



9. Remove the two (2) screws securing the dryer front access panel to the dryer cabinet. Lift the panel until the tabs can be disengaged from the cabinet. Remove the panel and set aside.



REPLACEMENT PARTS

If replacement parts are needed for your laundry center, contact the source where you purchased your laundry center.

⚠ WARNING Destroy the carton, plastic bags, and metal band after the laundry center is unpacked. Children might use them for play. Cartons covered with rugs, bedspreads, or plastic sheets can become airtight chambers causing suffocation. Place all materials in a garbage container or make materials inaccessible to children.

⚠ CAUTION Label all wires prior to disconnection when servicing controls. Wiring errors can cause improper and dangerous operation. Verify proper operation after servicing.

⚠ WARNING The instructions in this manual and all other literature included with this laundry center are not meant to cover every possible condition and situation that may occur. Good safe practice and caution **MUST** be applied when installing, operating and maintaining any appliance.

Maximum benefits and enjoyment are achieved when all the Safety and Operating instructions are understood and practiced as a routine with your laundry tasks.

10. Connect the exhaust duct to outside duct work. Use duct tape to seal all joints.

11. Plug the power cord into a grounded outlet.

12. Reinstall the dryer front access panel.

NOTE: Check to ensure the power is off at a circuit breaker/fuse box before plugging the power cord into an outlet.

13. Turn on the power at a circuit breaker/fuse box.

⚠ CAUTION *Before operating the dryer, make sure the dryer area is clear and free from combustible materials, gasoline, and other flammable vapors. Also see that nothing (such as boxes, clothing, etc.) obstructs the flow of combustion and ventilation air.*

14. Run the washer and dryer through a cycle. Check for proper operation.


NOTE: *On gas dryers, before the burner will light, it is necessary for the gas line to be bled of air. If the burner does not light within 45 seconds the first time the dryer is turned on, the safety switch will shut the burner off. If this happens, turn the timer to "OFF" and wait 5 minutes before making another attempt to light.*

15. If your laundry center does not operate, please review the "Avoid Service Checklist" located in your Owner's Guide before calling for service.

16. Place these instructions in a location near the laundry center for future reference.

NOTE: A wiring diagram is located behind the dryer front access panel.


SEGURIDAD de CENTRO DE LAVANDARIA

 Este símbolo significa alerta. Este símbolo lo alerta acerca de peligros que pueden matar o lesionar, tanto a usted como a otras personas. Todos los mensajes de seguridad serán precedidos por el símbolo de alerta para su seguridad y la palabra "**PELIGRO** o **ADVERTENCIA**" (**DANGER** o **WARNING**). Estas palabras significan:

 **PELIGRO (DANGER)** *Usted morirá o resultará seriamente lesionado si no sigue las instrucciones siguientes.*

 **ADVERTENCIA (WARNING)** *Usted puede morir o resultar seriamente lesionado si no sigue las instrucciones siguientes.*

Todos los mensajes de seguridad identificarán el peligro, le dirán a usted cómo reducir la posibilidad de lesión y también qué puede suceder si no se siguen las instrucciones.

 **ADVERTENCIA RIESGO DE INCENDIO.** Para su seguridad, siga las instrucciones contenidas en este manual a fin de reducir a un mínimo los riesgos de incendio o explosión o para evitar daños materiales, lesiones personales o la muerte. **GUARDE ESTAS INSTRUCCIONES.**

- Hemos proporcionado muchos mensajes importantes para la seguridad en las Instrucciones de Operación del Manual de Uso y Mantenimiento, las Instrucciones de Instalación y en el mismo aparato. Siempre lea y obedezca todos los mensajes para seguridad. La instalación y el servicio de la centro de lavadora de ropa se deben realizar por un instalador calificado, la agencia de servicio o el surtidor de gas.
- Instale la centro de lavadora de ropa según las instrucciones del fabricante y los códigos locales. Antes de comenzar la instalación, lea cuidadosamente estas instrucciones. Esto simplificará la instalación y asegurará que la secadora se instale correctamente y de manera segura. Después de completar la instalación, coloque estas instrucciones cerca de la secadora para referencia futura.
- La alimentación eléctrica para la centro de lavadora deberá cumplir con los códigos y reglamentos locales y con la última edición del Código Eléctrico Nacional, ANSI/NFPA 70 o en Canadá CSA C22.1 Código Eléctrico Canadiense, Parte 1.
- La alimentación de gas para la centro de lavadora deberá cumplir con los códigos y reglamentos locales y con la última edición del Código Nacional para Gases Combustibles, ANSI Z223.1 o en Canadá CAN/CGA B149.12.
- La secadora está clasificada para USO DOMESTICO solamente, de acuerdo con la norma ANSI Z 21.5.1 o ANSI/UL 2158 - CAN/CSA C22.2 No. 112 (las últimas ediciones). Esta secadora no se recomienda para uso commercial tal como en restaurantes, salones de belleza, etc.
- Los materiales de ventilación flexibles se pueden colapsar o apachurrar fácilmente y atrapar pelusa. Estas condiciones obstruirán la circulación de aire de la centro de lavadora de ropa y aumentarán el riesgo de incendio.
- No almacene ni utilice gasolina u otros vapores y líquidos inflamables en la proximidad de éste o de cualquier otro artefacto eléctrico.
- La instalación y el servicio de mantenimiento debe de realizarlos un instalador calificado, la agencia de servicios o el proveedor de gas.

QUE DEBE HACER SI PERCIBE OLOR A GAS

- No trate de encender ningún artefacto eléctrico.
- No toque ningún interruptor eléctrico; no use ningún teléfono en su edificio.
- Haga salir a todos los ocupantes de la habitación, del edificio y del lugar.
- Llame a su proveedor de gas desde el teléfono de un vecino. Siga las instrucciones del proveedor de gas.
- Si no logra comunicarse con su proveedor de gas, llame al departamento de bomberos.

Requisitos de preinstalación

Herramientas y materiales necesarios para la instalación:

- | | | |
|---|---|---|
| • Pinzas ajustables | • Nivel de carpintero | • Válvula de cierre de línea de gas (secadora a gas) |
| • Destornilladores Philips con punta derecha y cuadrada | • Capucha de ventilación externa | • Adaptadores NPI de unión acampanada (x2) y línea flexible de suministro de gas (secadora a gas) de ½' (15,2 cm) |
| • Llave ajustable | • Conducto de escape de metal rígido o semirígido de 4 pulgadas (10 cm) | • Cinta de papel aluminio (no cinta adhesiva aislante) |
| • Llave para tubos de suministro de gas | • Kit de cables de alimentación trifilar o tetrafililar de 240 voltios (secadora eléctrica) | |
| • Cinta aislante resistente al gas LP (para suministro de gas natural o LP) | • abrazadera de 4" (10,2 cm) | |

REQUERIMIENTOS ELÉCTRICOS

Centro de lavandería ELÉCTRICAS

CIRCUITO: circuito independiente individual de 30 A con fusibles de acción retardada o disyuntores.

Use circuitos con fusibles separados para las lavadoras y secadoras y **NO** haga funcionar una lavadora y una secadora en el mismo circuito.

SUMINISTRO ELÉCTRICO: trifilar o tetrafilar, 240 V, 1 fase, 60 Hz, corriente alterna.

CABLE DE ALIMENTACIÓN ELÉCTRICA: Trifilar: la lavadoras y secadora **DEBE** emplear un cable de alimentación eléctrica de 3 conductores tipo NEMA 10-30, SRDT calificado para CA mínima de 240 voltios, 30 A., con 3 conectores de terminal horquilla con extremos doblados hacia arriba o de bucle cerrado y calificados para uso en secadoras de ropa. Vea CONEXIONES ELÉCTRICAS PARA UN SISTEMA TRIFILAR.

Tetrafilar: la secadora **DEBE** emplear un cable de alimentación eléctrica de 4 conductores tipo NEMA 14-30, SRDT o ST (según se especifique) calificado para CA mínima de 240 voltios, 30 amp., con 4 conectores de terminal horquilla con extremos doblados hacia arriba o de bucle cerrado y calificados para uso en secadoras de ropa. Vea CONEXIONES ELÉCTRICAS PARA UN SISTEMA TETRAFILAR.

(Canadá - cable de alimentación eléctrica de 4 cables instalado en la lavadoras y secadora.)

ADVERTENCIA: riesgo de choque eléctrico Electrodoméstico puesto a tierra a través de un enlace al conductor neutro. La puesta a tierra a través del neutro está prohibida para (1) instalaciones de circuitos de bifurcación nuevos (2) casas rodantes; (3) vehículos recreativos; y (4) áreas cuyas leyes locales no permiten la puesta a tierra a través del neutro; (1) desconecte el enlace al neutro; (2) use un terminal o cable de puesta a tierra para realizar la conexión según las leyes locales; y (3) conecte el terminal o cable del neutro al neutro del circuito de bifurcación como se hace normalmente (si el electrodoméstico se va a conectar a través de un kit de cordón eléctrico, use un cable tetrafilar). **SÓLO USE CABLES DE COBRE.**

RECEPTÁCULO DEL TOMACORRIENTE: Receptáculo NEMA 10-30R (trifilar) o receptáculo NEMA 14-30R (tetrafilar) que debe estar ubicado en un lugar al que el cable de alimentación eléctrica pueda acceder cuando la secadora esté instalada.



NEMA 10-30R



NEMA 14-30R

Centro de lavandería a GAS

CIRCUITO - Circuito individual derivado de 15 amp mínimo, con fusibles de retardo máximo o disyuntor.

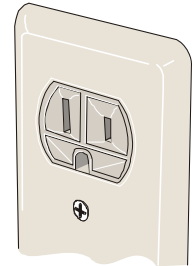
ALIMENTACIÓN ELÉCTRICA - Corriente alterna, monofásica, 60 Hz, 120 voltios, trifilar.

CORDÓN ELÉCTRICO - La secadora está equipada con un cordón eléctrico trifilar para 120 voltios.

NOTA: No saque por ningún motivo la espiga de puesta a tierra del enchufe.



Espiga de puesta a tierra



REQUERIMIENTOS DE SUMINISTRO DE AGUA

Las llaves del agua caliente y fría **DEBERÁN** ser instaladas a no más de 42 pulgadas (106,68 cm) de la entrada de agua de su centro de lavandería. La boca **DEBE** ser de 3/4 pulgada (1,9 cm) de diámetro para que las mangueras de jardín puedan ser conectadas. La presión de agua **DEBE SER** entre 10 y 120lbs./pulg.² (la máxima diferencia entre la presión no equilibrada del agua caliente y fría es 10lbs./pulg.²) La compañía de agua potable puede informarle sobre la presión del agua.

REQUERIMIENTOS DE DESAGÜE

1. Capacidad para desaguar 17 galones por minuto.
2. Diámetro de la toma de agua: 1-1/4 pulgadas (3,16) como mínimo.
3. Altura de la toma de agua sobre el piso:

Altura mínima:
33 pulgadas (83,82 cm)

Altura máxima:
96 pulgadas (244 cm)



33" Min.
(83.82cm)



96"Max.
(244 cm)

NOTA : Para las instalaciones que requieran un tubo de más largo, pida a un técnico capacitado que instale un tubo más largo, P/N 131461201, disponible en los distribuidores autorizados de piezas de repuesto. Para los sistemas de drenaje en el piso, instale un uego para detener la acción de sifón, disponible de una ferretería local.

REQUERIMIENTOS DEL SISTEMA DE ESCAPE

Utilice solamente ductos metálicos, rígidos o flexibles de 4" (10,2 cm) de diámetro (mínimo) y una caperuza de salida de uso aprobado, con registros que giren hacia afuera que se abren cuando la secadora se encuentra en funcionamiento. Cuando la secadora se detiene, los registros se cierran automáticamente para evitar las corrientes de aire y la entrada de insectos y roedores. Para evitar obstruir la salida, mantenga una altura libre mínima de 12" (30,5 cm) entre la caperuza de salida y el piso o entre cualquier otra obstrucción.

⚠️ ADVERTENCIA *Los siguientes requerimientos son específicos para el funcionamiento correcto y seguro de su secadora. El incumplimiento de estas instrucciones puede causar prolongación excesiva del tiempo de secado y riesgos de incendio.*

⚠️ No instale la centro de lavadería con materiales de ventilación plásticos flexibles. Los materiales de ventilación flexibles se pueden colapsar o apachurrar fácilmente y atrapar pelusa. Estas condiciones obstruirán la circulación de aire de la Secadora de ropa y aumentarán el **riesgo de incendio**.

Si su sistema de escape actual tiene ductos de plástico o de láminas metálicas delgadas, reemplácelo con un ducto metálico rígido o flexible. **Asegúrese de que los ductos existentes no tengan pelusas antes de instalar el ducto de la secadora.**



⚠️ Riesgo de incendio - La secadora debe ser ventilada al exterior de la vivienda. No ventile la secadora a una chimenea, pared, techo, ático, pasajes entre pisos o cualquier espacio oculto de la vivienda. Las secadoras de ropa producen pelusa combustible. Si no se ventila la secadora al exterior, algunas pelusas finas se acumularán en el área de lavandería. La acumulación de pelusa en cualquier área de la vivienda puede constituir un peligro sanitario y un riesgo de incendio. **La secadora debe estar conectada a un sistema de escape que termine en el exterior de la vivienda.** Inspeccione la abertura de escape al exterior con frecuencia y elimine cualquier acumulación de pelusa en tal abertura y en el área que la rodea.

⚠️ No permita que los materiales combustibles (por ejemplo: la ropa, cortinas/cortinajes, papel) tengan contacto con los ductos. El escape de la secadora **NO DEBE** dirigirse hacia el interior de una chimenea, hacia una pared, hacia el cielo raso o hacia cualquier otro espacio reducido del edificio, donde puede ocurrir acumulación de pelusas y constituir un peligro de incendio.

⚠️ Exceder la longitud del conducto rígido o los números de codos permitidos en los diagramas "**LARGO MÁXIMO**" puede disminuir la capacidad de exhaustación del sistema. Obstruir el conducto puede provocar peligro de incendio, así como aumentar el tiempo de secado.

⚠️ No obstruya los extremos del tubo de ventilación, ni utilice tornillos, remaches u otros medios de fijación que puedan obstruir el conducto y atrapar pelusa. Las pelusas podrían quedar atrapadas en los filtros, en los tornillos o en los remaches, lo cual obstruiría el sistema de escape y crearía un riesgo de incendio, así como también prolongaría el tiempo de secado. Use una caperuza de salida adecuada para el extremo del ducto que salga al exterior de la vivienda y selle todas las juntas con cinta adhesiva para ductos. Todos los accesorios de tubería machos, **DEBEN** ser instalados aguas abajo del flujo de aire.

⚠️ ADVERTENCIA Riesgo de explosión. No instale la centro de lavadería donde se guarda gasolina u otros materiales inflamables. Si la centro de lavadería se instala en un garage, ella debe estar por lo menos 18 pulgadas (45,7 cm) por encima del suelo. El incumplimiento puede resultar en la muerte, explosión, incendio, o quemaduras.

1. La constreñimiento del sistema de escape **NO DEBE** exceder 0,6 pulgadas (1,52 cm) de columna de agua, medida con un manómetro inclinado en la conexión del ducto de escape a la secadora.
2. El sistema de escape debe ser inspeccionado y limpiado cada 2 años como mínimo, bajo condiciones de uso normal. Mientras más se use la secadora, con mayor frecuencia deben inspeccionarse el sistema de escape y la caperuza de salida para verificar su buen funcionamiento.

El largo máximo sistema de escape depende del tipo de ducto que se usa, del número de codos y del tipo de caperuza de salida. En la tabla se muestra el largo máximo tanto para ductos flexibles como rígidos.

Número de Codos a 90°	LARGO MÁXIMO del Conducto Metálico Rígido de 4" (10,2 cm) de Diámetro		
	TIPO DE CAPERUZA DE SALIDA (Preferido)		
	 4" (10,2 cm)	 Apersianada	 2 1/2" (6,35 cm)
0	56 pies (17,07 m)		42 pies (12,8 m)
1	46 pies (14,02 m)		36 pies (10,97 m)
2	34 pies (10,36 m)		28 pies (8,53 m)
3	32 pies (9,75 m)		18 pies (5,48 m)

⚠️ ADVERTENCIA Si va a instalar conductos de ventilación semirígidos, no exceda una longitud de 8 pies (2,4 m).

Se puede colocar el ducto de escape de cuatro (4) maneras distintas cuando el artefacto está instalado con el fondo **paralelo** con la pared.

1. **Derecho hacia atrás.**
2. **Hacia abajo** - ducto rígido, 8 pulgadas (20,32 cm) de longitud y 4 pulgadas (10,16 cm) de diámetro & 1 ducto acodado hacia abajo.
3. **Hacia la izquierda** - ducto rígido, 8 pulgadas (20,32 cm) de longitud y 4 pulgadas (10,16 cm) de diámetro, 1 ducto acodado hacia abajo y un ducto acodado hacia la derecha.
4. **Hacia la derecha** - ducto rígido, 8 pulgadas (20,32 cm) de longitud y 4 pulgadas (10,16 cm) de diámetro, 1 ducto acodado hacia abajo y un ducto acodado hacia la derecha.

Aunque un sistema vertical sea aceptable, algunas circunstancias atenuantes pueden afectar el funcionamiento de la secadora:

- Se debe utilizar solamente conductos metálicos rígidos.
- Una salida del sistema vertical en el techo, puede exponerle a un corriente de aire descendente y disminuir así su capacidad de exhaustación.
- El aislante que debe atravesar el sistema puede causar condensación y disminuir así la capacidad de exhaustación del sistema.
- La capacidad de exhaustación de un sistema de exhaustación comprimido o ondulado puede disminuirse.



Para colocar el ducto de escape hacia arriba, añada un ducto de 11 pulgadas (27,94 cm) de longitud y de 4 pulgadas (10,16 cm) de diámetro y un ducto acodado de 90°. El artefacto debe estar a aproximadamente 4 1/2 pulgadas (11,43 cm) de la pared (Se puede colocar el ducto de escape paralelo con la pared por colocarlo debajo de la secadora y dirigirlo hacia un lado). Una caperuza de escape colocada en forma tal que se alinie con el escape de la secadora,

puede ser instalada directamente a través de la pared exterior. Para colocar el ducto de escape hacia arriba, añada un ducto 11 pulgadas (27,94 cm) de longitud y 4 pulgadas (10,16 cm) de diámetro y un ducto acodado de 90°. El artefacto debe estar a aproximadamente 4 1/2 pulgadas (11,43 cm) de la pared (se puede colocar el ducto de escape paralelo con la pared colocándolo debajo de la secadora y dirigido hacia un lado). Para permitir el escape lateral o inferior, agregue un ducto de 8 pulgadas (20,32 cm) de largo y 4 pulgadas (10,16 cm) de diámetro estándar y un codo de 90°.

REQUERIMIENTOS DEL SUMINISTRO DE GAS

1. La instalación **DEBE** hacerse cumplir con los códigos locales o en ausencia de los mismos, de acuerdo con los estándares del National Fuel Gas Code (Código Nacional para Gases Combustibles), ANSI Z223.1 (la última edición). Para Canadá, el Estándar CAN/CGA B149 que esté en vigor.
2. La tubería de alimentación de gas debe ser de 1/2 pulgada (1,27 cm) de diámetro.
3. Si está permitido por los códigos locales, se puede usar tubería de metal para conectar su secadora a la línea de suministro de gas. La tubería **DEBE** ser fabricada de acero inoxidable o cobre recubierto de plástico.
4. La tubería de alimentación de gas **DEBE** tener una llave de cierre individual.
5. Una toma de 1/8 de pulgada (0,32 cm) N.P.T. accesible para conexión del manómetro de prueba, **DEBE** ser instalada inmediatamente aguas arriba de la conexión de la tubería de alimentación de gas a la secadora.
6. La secadora **DEBE** ser desconectada del sistema de tuberías de alimentación de gas durante cualquier ensayo de presión del sistema de tuberías de alimentación de gas realizado a presiones de prueba de más de 1/2 lbs/pulg.² (3,45 kPa).
7. La secadora **DEBE** aislarse del sistema de tuberías de alimentación de gas durante cualquier ensayo de presión del sistema de tuberías de alimentación de gas realizado en ensayos de presión iguales o inferiores a 1/2 lbs/pulg.² (3,45 kPa).

UBICACIÓN DE SU LAVANDERÍA

NO INSTALE SU LAVANDERÍA:

1. En un lugar donde puede haber goteos de agua o quede expuesta a las inclemencias del tiempo.
2. En un área donde pueda entrar en contacto con cortinas, cortinajes o cualquier otra cosa que obstruya el flujo de combustión y ventilación de aire.
3. Sobre alfombras. El piso **DEBE** ser firme con un desnivel máximo de 1 pulgada (2,54 cm).

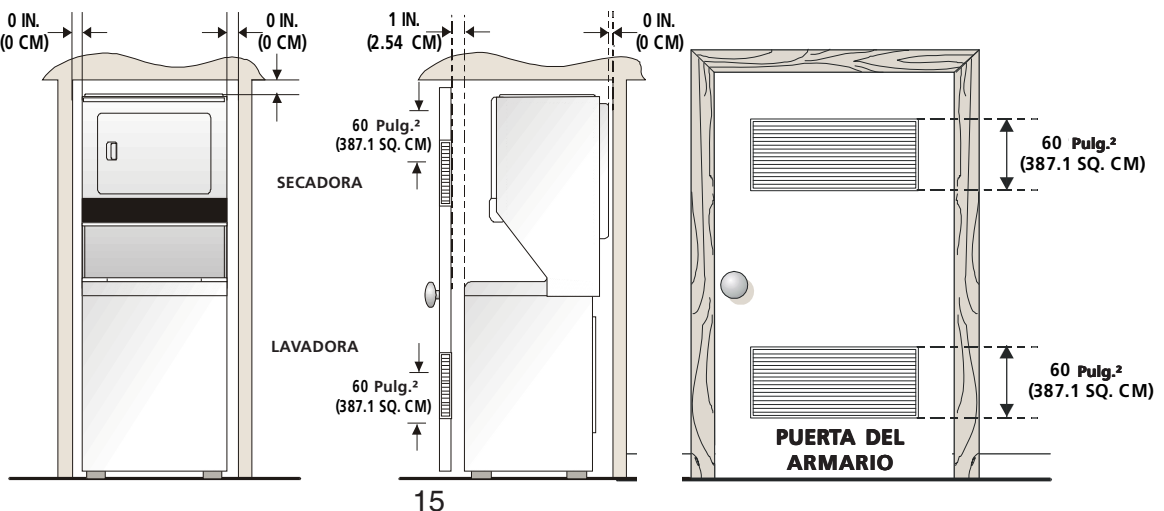
INSTALACIÓN DENTRO DE UN NICH O ARMARIO

1. Si la secadora es instalada en un dormitorio, cuarto de baño, nicho o armario, el tubo del escape **DEBE** ser instalado hacia el exterior.
2. No se debe instalar ningún otro artefacto que queme combustible en el mismo armario en que está instalada la secadora a Gas.
3. La secadora necesita espacio a su alrededor para una ventilación adecuada.

NO INSTALE LA SECADORA EN UN ARMARIO CON PUERTA MACIZA.

4. Se requiere como mínimo una abertura de 120 pulgadas cuadradas

(774,2 cm²), dividida equitativamente para la parte superior e inferior de la puerta. Cuando se instala una puerta, es necesario proveer aberturas para el aire. Una puerta apersianada con aberturas para el aire en todo el largo de la puerta es aceptable. 5. Las siguientes ilustraciones muestran las dimensiones mínimas de espacio libre que debe existir para el buen funcionamiento de la secadora cuando se instala en un nicho o en un armario.



DIMENSIONES PARA LA INSTALACION



INSTALACIÓN EN CASAS MÓVILES

1. El tubo de escape de la secadora **DEBE** ser instalado hacia el exterior (El escape debe colocarse en la parte exterior y no debajo de la casa móvil.) Debe usarse ducto de metal que no sea combustible. El ducto de metal debe tener cuatro pulgadas (10,16 cm) de diámetro y no tener obstrucciones. Es preferible usar ducto de metal que sea rígido.
2. Si el tubo de escape de la secadora corre a través del piso y el área debajo de la casa móvil es cerrada, el ducto de escape **DEBE** terminar fuera del recinto, con el extremo final asegurado en contra de la estructura de la casa móvil.
3. Al instalar una secadora de gas en una casa móvil, hay que instalar una provisión de aire fresco suplementario. La provisión tiene que ser más grande que dos veces el espacio del escape de la secadora.
4. Vea las páginas 2 y 3 para otros requisitos importantes de ventilación.
5. La instalación **DEBE** cumplir con las estándares aplicables de la Manufactured Home Construction & Safety Standard - Estándares de Seguridad y Construcción de Casas Prefabricadas (Título 24 CFR - Parte 32-80 del Reglamento Federal) o cuando dichos estándares no sean aplicables, se deben cumplir con los estándares de la American National Standard for Mobile Homes (Estándares Nacionales Americanas para Viviendas Móviles). En Canadá se aplica el Estándar CSA Z240.

ADVERTENCIA Esta secadora ha sido diseñada **PARA USO DOMESTICO** solamente, de acuerdo con la norma ANSI Z 21.5.1.



DESEMBALAJE

1. Utilizando las cuatro esquineras de embarque de la caja de cartón (dos a cada lado), coloque cuidadosamente la secadora sobre el costado izquierdo y saque la base de espuma de embarque.

ATENCIÓN *Peso excesivo. Se necesitan dos o más personas para mover la Lavadora.*

2. Utilizando la llave de tubo de 3/8 de pulgada (0,96 cm) saque el perno de embarque y el bloque espaciador de plástico del centro de la base.

NOTA: *Si el centro de lavandería va a ser transportada a otro lugar a otra lugar posteriormente, conserve la espuma de bloqueo de la tina, el perno de embarque y el espaciador de plástico.*

3. Vuelva a colocar el centro de lavandería en la posición vertical

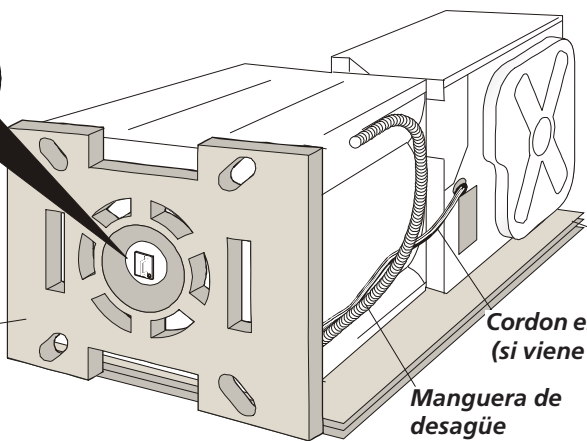
4. Saque:
 - (a) la pieza de espuma que bloquea la cavidad;
 - (b) la cinta de la puerta de la secadora;
 - (c) las piezas de espuma para apoyar la secadora;
 - (d) los tubos de entrada de agua;
 - (e) el paquete.
5. Saque las pinzas metálicas del embalaje de la parte posterior de la lavadora, que sujetan el tubo de drenaje y el cable eléctrico. Hay abrazaderas de plástico que sujetan el tubo de drenaje en la parte derecha del resaldo de la lavadora. Estas abrazaderas forman una tubería vertical para prevenir el sifonaje de agua. **NO SAQUE ESTAS ABRAZADERAS.**
6. Con cuidado, mueva el centro de lavandería a cuatro pies (1,22 m) de su ubicación definitiva para la instalación final.

Bloque espaciador de plástico



Perno de embarque

Espuma protectora de empaque



Cordon eléctrico (si viene el equipo)

Manguera de desagüe

INSTALACIÓN ELÉCTRICA

TODAS los centro lavandoria ELÉCTRICAS

⚠ ADVERTENCIA Los siguientes requerimientos son específicos para el funcionamiento correcto y seguro de su secadora. El incumplimiento de estas instrucciones puede causar prolongación excesiva del tiempo de secado y riesgos de incendio.

⚠ ADVERTENCIA Este artefacto **DEBE** ser puesto a tierra de manera correcta. Si la lavandoria no está debidamente puesta a tierra se puede producir un choque eléctrico. Siga las instrucciones indicadas en este manual para la puesta a tierra en forma correcta.

⚠ ADVERTENCIA No use un cordón de extensión con esta lavandoria. Algunos cordones de extensión no pueden soportar la cantidad de corriente eléctrica que utiliza esta secadora y pueden fundirse, creando un peligro de choque eléctrico y/o incendio. Ubique la lavandoria de manera que el cordón eléctrico llegue hasta el tomacorriente que se va a usar, dejando un poco de holgura para el cordón. Consulte los requerimientos de instalación preliminares indicados en este manual para el cordón eléctrico que debe ser adquirido.

⚠ ADVERTENCIA Se debe instalar un anclaje aprobado por el U.L. para el cordón eléctrico. Si no se utiliza un anclaje para sujetar el cordón eléctrico, éste puede salirse de la lavandoria y cortarse con cualquier movimiento, resultando en un choque eléctrico.

⚠ ADVERTENCIA No utilice un tomacorriente con cables de aluminio con un cordón y un enchufe de cobre (o viceversa). Se produce una reacción química entre el cobre y el aluminio que puede causar cortacircuitos. **El cableado y tomacorriente apropiado es un cordón eléctrico equipado con conductores de cobre con un tomacorriente con conductores de cobre.**

NOTA: Las lavandoria que operan con un suministro de energía de 208 voltios usarán más tiempo de secado que aquellas que operan con un suministro de energía de 240 voltios.

REQUERIMIENTOS PARA LA PUESTA A TIERRA

Centro de lavandoria ELÉCTRICAS No canadienses

⚠ PELIGRO La conexión indebida del conductor de puesta a tierra del equipo puede ocasionar un riesgo de choque eléctrico. Consulte con un electricista profesional si tiene alguna duda respecto a la puesta a tierra correcta del artefacto.

Para una secadora puesta a tierra, con cordón eléctrico:

1. La lavandoria **DEBE** ser puesta a tierra. En caso de malfuncionamiento o falla, la puesta a tierra reducirá el riesgo de choque eléctrico proporcionando un trayecto de menor resistencia a la corriente eléctrica.
2. Si su lavandoria está equipada con un cordón eléctrico que posee un conductor de puesta a tierra del equipo y un enchufe de puesta a tierra, dicho enchufe **DEBE** ser conectado a un tomacorriente adecuado, debidamente instalado y puesto a tierra de acuerdo con todos los códigos y reglamentos locales. Si tiene alguna duda consulte a un electricista profesional. **No modifique el enchufe proporcionado la aplicación.**

Para una lavandoria conectada permanentemente:

1. La lavandoria **DEBE** ser conectada a un sistema de cableado metálico permanente, puesto a tierra; o se debe instalar un conductor de puesta a tierra de equipo junto con los conductores del circuito y conectarse al borne de puesta a tierra del equipo o al cable del artefacto.

Centro de lavandoria ELÉCTRICAS canadienses

⚠ PELIGRO La conexión indebida del conductor de puesta a tierra del equipo puede ocasionar un riesgo de choque eléctrico. Consulte con un electricista profesional si tiene alguna duda respecto a la puesta a tierra correcta del artefacto.

Para una lavandoria puesta a tierra, con cordón eléctrico:

1. La lavandoria **DEBE** ser puesta a tierra. En caso de malfuncionamiento o falla, la puesta a tierra reducirá el riesgo de choque eléctrico proporcionando un trayecto de menor resistencia a la corriente eléctrica.
2. Si su lavandoria está equipada con un cordón eléctrico que posee un conductor de puesta a tierra del equipo y un enchufe de puesta a tierra, dicho enchufe **DEBE** ser conectado a un tomacorriente adecuado, debidamente instalado y puesto a tierra de acuerdo con todos los códigos y reglamentos locales. Si tiene alguna duda consulte a un electricista profesional. **No modifique el enchufe proporcionado la aplicación.**

TODOS los centros lavandoria a GAS

Esta lavandoria está equipada con un enchufe de tres espigas (de puesta a tierra) para protección en contra de choques eléctricos y debe ser conectada directamente en un receptáculo para tres espigas el cual debe estar puesto a tierra. No corte ni elimine la espiga de puesta a tierra de este enchufe.

CONEXIONES ELÉCTRICAS PARA UN SISTEMA TRIFILAR

Centro de lavandoria ELÉCTRICAS No canadienses

1. Saque los tornillos que sujetan la cubierta de acceso del tablero de bornes y el soporte de montaje del anclaje del cordón, situado en la esquina superior de la parte trasera de la secadora.
2. Instale un anclaje de cable aprobado por el U.L., en el orificio de entrada del cordón eléctrico en el soporte de montaje. Luego apriete la tuerca con los dedos solamente.
3. Inserte un cordón eléctrico de 30 amp, NEMA 10-30 Tipo SRDT, aprobado por el U.L., a través del anclaje de cable.



4. Conecte el conductor neutro del cordón eléctrico (cable central) al borne central plateado del tablero de bornes. Apriete firmemente el tornillo.

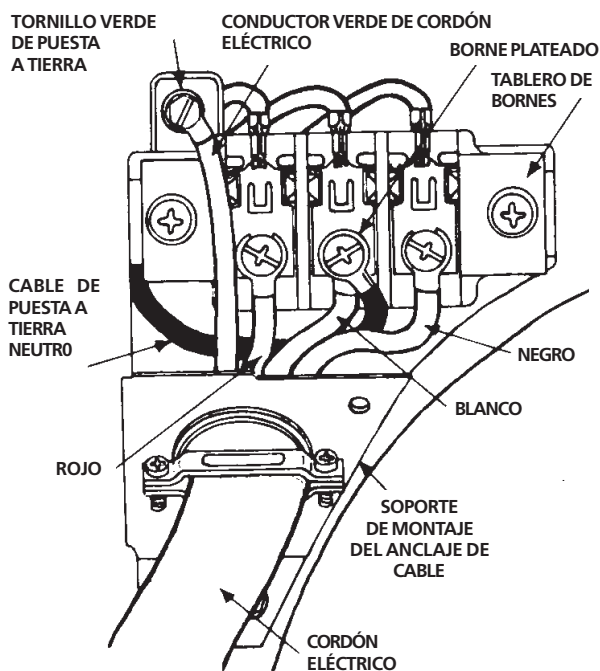


5. Conecte los dos conductores externos restantes del cordón eléctrico a los bornes bronceados externos del tablero de bornes. Apriete firmemente los tornillos.
6. Apriete firmemente los tornillos del anclaje de cable contra el cordón eléctrico.
7. Coloque nuevamente la cubierta del tablero de bornes.

CONEXIONES ELÉCTRICAS PARA UN SISTEMA TETRAFILAR

Centro de lavandería **ELÉCTRICAS** No canadienses

1. Saque los tornillos que sujetan la cubierta de acceso del tablero de bornes y el soporte de montaje del anclaje de cable situado en la esquina superior en la parte trasera de la secadora.
2. Instale un anclaje de cable aprobado por el U.L., en el orificio de entrada del cordón eléctrico en el soporte de montaje. Luego apriete la tuerca con los dedos solamente.



3. Desconecte el cable de puesta a tierra neutral del tornillo verde de puesta a tierra situado en la parte superior del tablero de bornes.
4. Inserte un cordón eléctrico tetrafilar de 30 amp, NEMA 10-30 Tipo ST o SRDT, aprobado por el U.L., a través del anclaje de cable.
5. Conecte el cable verde de puesta a tierra del cordón eléctrico al gabinete mediante el tornillo verde de puesta a tierra.
6. Conecte el conductor blanco (neutro) del cordón eléctrico y el cable de puesta a tierra neutro del mazo de cables de la secadora al borne plateado central del tablero de bornes.
7. Conecte los conductores rojo y negro del cordón eléctrico a los bornes bronceados externos del tablero de bornes.
8. Apriete firmemente los tornillos del anclaje de cable contra el cordón eléctrico.
9. Coloque nuevamente la cubierta del tablero de bornes.

INSTALACION

1. Deje correr un poco de agua de las llaves de agua caliente y fría para pilgar las líneas y eliminar las partículas que pueden obstruir las rejillas de las válvulas de agua.
2. Examine los tubos de entrada de agua para asegurarse de que las arandelas de caucho estén instaladas en cada extremo.
3. Conecte con cuidado los tubos de entrada a la válvula de agua (en el lado izquierdo de la lavadora), apriete a mano y luego apriete 2/3 d vuelta con unos alicates.

! ATENCION NO ESTROPEE LAS ROSCAS NI APRIETE ESTAS CONEXIONES EXCESIVAMENTE.

4. Determine cuál de las llaves de agua es la de agua **CALIENTE** y conecte con cuidado el tubo inferior de entrada a la llave de agua **CALIENTE**, apriete a mano y luego apriete 2/3 de vuelta con unos alicates. Conecte con cuidado el tubo superior de entrada a la llave de agua **FRIA**, apriete a mano y luego apriete 2/3 vuelta con unos alicates

! ATENCION NO ESTROPEE LAS ROSCAS NI APRIETE ESTAS CONEXIONES EXCESIVAMENTE.

Abra la llave del agua y compruebe que no haya fugas en ninguna de las conexiones.

5. Con cuidado, mueve el centro de lavandería hasta su ubicación definitiva para instalación final.
6. Para verificar si el centro de lavandería está nivelado y firmemente asentado sobre las cuatro patas, inclínelo hacia adelante de modo que las patas posteriores queden en el aire. Luego vuelva a depositar cuidadosamente la máquina para permitir que las patas posteriores se ajusten. Coloque un nivel de carpintero encima de la lavadora. Atornille o destornille los tornillos nivel de posteriores de la lavadora según sea necesario para que el centro de lavandería quede firmemente asentado sobre sus cuatro patas (no debe haber movimiento de vaivén).

NOTA: Mantenga las patas de nivelación al mínimo para prevenir excesiva vibración.

7. CONEXIÓN DEL GAS (*Secadoras a gas solamente*)
- Saque la tapa de embarque de la tubería de gas de la secadora situada en la parte trasera.

NOTA: NO conecte la lavandería al suministro de propano, sin primero instalar el juego de conversión a propano. El juego de conversión a propano debe ser instalado por un técnico de gas calificado.

- Conecte una tubería semirígida de 1/2" (1,27 cm) D.I. o una tubería aprobada, desde la línea de suministro de gas a la tubería de 3/8" (0,96 cm) ubicada en la parte trasera de la secadora. Utilice un reductor de 1/2" (1,27 cm) a 3/8" (0,96 cm) para la conexión. Aplique un sellador de roscas de uso aprobado, resistente a la corrosión de los gases licuados, en todas las uniones de la tubería.
- Abra la válvula de cierre en la tubería de suministro de gas.
- Pruebe todas las conexiones aplicando con una escobilla una solución jabonosa.

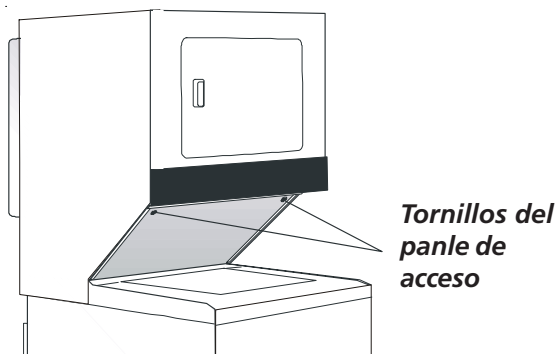
NUNCA UTILICE UNA LLAMA ABIERTA PARA DETECTAR FUGAS DE GAS.

- Forme una "U" en el extremo del tubo de drenaje con el tubo señalando hacia el drenaje. Coloque el extremo formado del tubo de drenaje en lavadero o una tubería vertical y fíjelo con su sujetacables incluido en el paquete.



SINO SE SIGUEN LAS INSTRUCCIONES ANTERIORE, EL SIFON SACARA EL AGUA DE LA LAVADORA.

- Saque los dos (2) tornillos que sujetan el panel de acceso delantero de la secadora al gabinete de la secadora. Levante el panel hasta que las lengüetas se desenganchen del gabinete saque el panel y colóquelo a un lado.



- Conecte el ducto de escape al sistema de escape exterior. Utilice cinta para obturar todas las uniones.
- Conecte el cordón eléctrico a un tomacorriente puesto a tierra.
- Vuelva a instalar el panel de acceso delantero de la secadora.

NOTA: Asegúrese de que la corriente esté desconectada en el disyuntor/caja de fusibles, antes de conectar el cordón eléctrico en el tomacorriente.

- Conecte la corriente en el disyuntor/caja de fusibles.

⚠ ATENCION Antes de poner en funcionamiento la secadora, asegúrese de que no haya materiales combustibles, gasolina y otros vapores inflamables cerca de la secadora. Además asegúrese de que no haya nada (tal como cajas, ropas, etc.) que obstruya el flujo del aire de combustión y ventilación.

- Haga funcionar la secadora durante un ciclo completo para comprobar su buen funcionamiento.

NOTA: En las secadoras a gas, antes de encender el quemador es necesario purgar el aire de la tubería del gas. Si el quemador no enciende dentro de 45 segundos, cuando la secadora se enciende por primera vez, el interruptor de seguridad apagará el quemador. Si esto sucede, gire el contador de tiempo a la posición "OFF" (apagado) y espere 5 minutos antes de intentar encender la secadora nuevamente.

- Si su lavandería no funciona, consulte la sección "Lista de Control de Averías" que se encuentra en su Manual del Usuario, antes de llamar para obtener servicio.

- Conserve estas instrucciones cerca de la secadora para referencia futura.

NOTA: Dentro de la consola de la secadora o debajo del panel superior se encuentra un diagrama del cableado.

PIEZAS DE RECAMBIO

Si necesita obtener piezas de recambio para su secadora, póngase en contacto con el distribuidor donde compró su secadora.

⚠ ATENCION Cuando se reparan los controles, marque todos los cables con etiquetas antes de desconectarlos. Cualquier error de cableado puede causar una operación inadecuada y peligrosa. Asegúrese de que la secadora funcione adecuadamente después de repararla.

⚠ ADVERTENCIA Destruya la caja de cartón, las bolsas de plástico y la banda metálica después de haber desempacado el centro de lavandería. Los niños pueden ponerse a jugar con ellos. Las cajas de cartón cubiertas con alfombras, colchas o pedazos de plástico pueden convertirse en cámaras sin aire y causar asfixia. Elimine todos los materiales poniéndolos en la basura o fuera del alcance de los niños.

⚠ ADVERTENCIA Las instrucciones incluidas en este manual y en el resto de la documentación que se entrega con la lavandería no pueden cubrir todas las situaciones o condiciones posibles que puedan presentarse. Por lo tanto, se **DEBEN** seguir prácticas seguras y tener cuidado cuando se instala cualquier artefacto doméstico.

Se obtiene el máximo de beneficios y resultados cuando todas las instrucciones de seguridad y de funcionamiento son comprendidas y puestas en práctica de forma rutinaria cada vez que se lava la ropa