

This Owner's Manual is provided and hosted by [Appliance Factory Parts](#).



# Shop Vac 92M650C Owner's Manual

[Shop genuine replacement parts for Shop Vac  
92M650C](#)



[Find Your Shop Vac Vacuum Cleaner Parts - Select From 498 Models](#)

----- Manual continues below part list -----

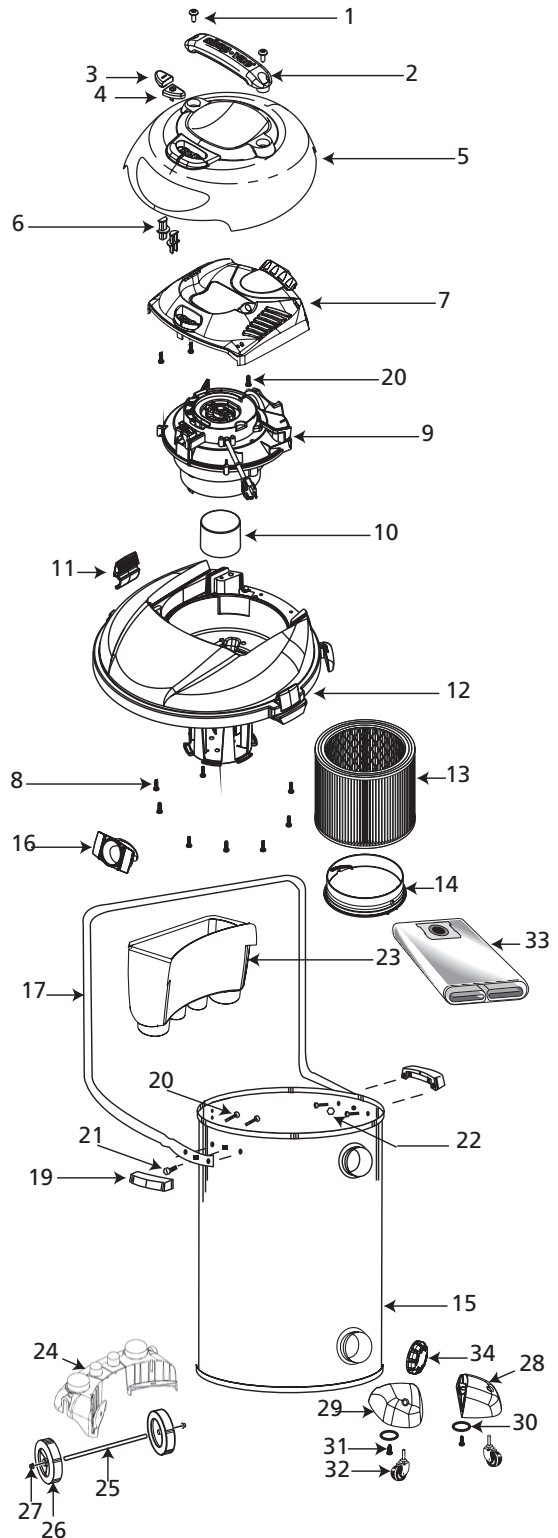
## Available Replacement Parts for Shop Vac 92M650C

<a href="#">6774200</a>	Caster, each [READ ADD'L INFO]
<a href="#">3008000</a>	FILTER RETAINER
<a href="#">4300299</a>	Cap Nut.
<a href="#">2425010</a>	Wheel.
<a href="#">7413120</a>	INLET DEFLECTOR
<a href="#">9355596</a>	Handle and hardware package.
<a href="#">1503999</a>	screw
<a href="#">3545000</a>	Cup Float.
<a href="#">1517699</a>	Screw.
<a href="#">7444500</a>	Lid Latch.
<a href="#">7414210</a>	OFF SWITCH COVER ONLY, NOT THE ACTUAL SW
<a href="#">7414200</a>	ON SWITCH COVER ONLY, NOT THE ACTUAL SWI
<a href="#">7446800</a>	Drain cap
<a href="#">7414250</a>	Switch Button Extension .
<a href="#">9355196</a>	HANDLE, SET BLACK (2 Handles in pack)
<a href="#">8136197</a>	MOTOR
<a href="#">3487500</a>	Rear Wheel Dolly
<a href="#">8568101</a>	Casterfoot A
<a href="#">8568111</a>	Casterfoot B

# Model 92M650C



ITEM	DESCRIPTION	PART NO.
1	Screw 1/4 x 1 1/2" Trilobe Ph Pan	1517499
2	Handle	1944475
3	Switch Button - (I)	7414200
4	Switch Button - (O)	7414210
5	Outer Motor Cover Assembly	1944531
6	Switch Button Extension	7414250
7	Motor Cover Assembly	1944435
8	Screw 10 x 3/4" Trilobe	1517699
9	Power Unit Assembly	8136197
10	Float	3545000
11	Lid Latch	7444500
12	Lid Cage & Latch Assembly	1944532
13	Cartridge Filter	9035000
14	Filter Retainer	3008000
15	Tank Assembly	5121597
16	Inlet Deflector	7413100
17	Carriage Handle	2088200
18	Handle and Hardware Pkg *	9355596
19	Side Tank Handle	9355100
20	#10 x 3/4" Screw Hex Head	1503999
21	Bolt 1/4 - 20 x 1/2"	6401299
22	1/4 - 20 Hex Nut	1300199
23	Accessory Basket	7415111
24	Rear Wheel Dolly	3487500
25	Axle	2442400
26	8" Wheel	2425010
27	Cap Nut	4300299
28	Caster Foot A	8568101
29	Caster Foot B	8568111
30	Washer	2781018
31	Screw #10 x 1" SL Hex Head	1509699
32	Caster	6772200
33	Collection Bag	9067200
34	Drain Cover	7446800

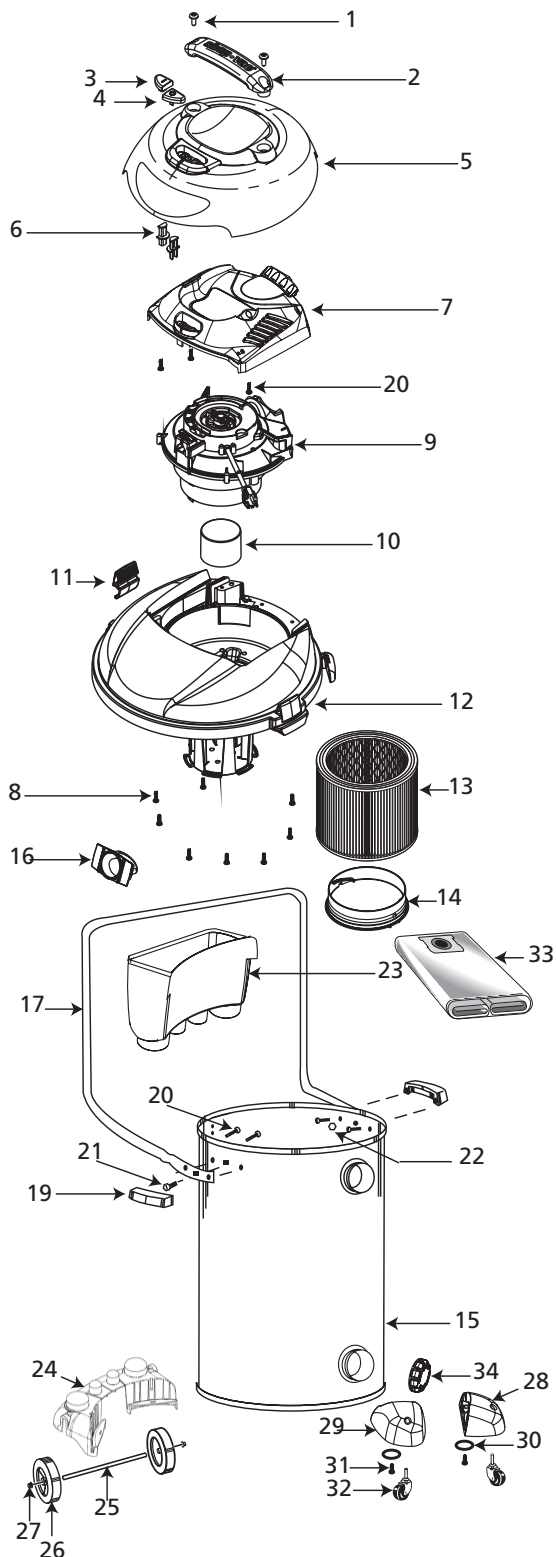


\* Replacement parts may differ from original equipment.  
 \* Includes 19-22

# Modelo 92M650C

shop-vac®

ARTICULO	DESCRIPCION	PIEZA NO.
1	Tornillo 1/4 x 1 1/2" Trilobe Ph Pan	1517499
2	Mango	1944475
3	Botón del Interruptor - (I)	7414200
4	Botón del Interruptor - (O)	7414210
5	Montaje de la Tapa Exterior del Motor	1944531
6	Extensión de Botón Interruptor	7414250
7	Montaje de la Tapa del Motor	1944435
8	Tornillo 10 x 3/4" Trilobe	1517699
9	Montaje de la Unidad de Potencia	8136197
10	Flotador	3545000
11	Segura de la Tapa	7444500
12	Tapa Canasta y Broches de Montaje	1944532
13	Filtro de Cartucho	9035000
14	Retenedor del Filtro	3008000
15	Montaje del Deposito	5121597
16	Deflector	7413100
17	Manga del Carro	2088200
18	Mango y Paquete de Hardware *	9355596
19	Mango del Depósito Lateral	9355100
20	Tornillo con Cabeza Hexagonal #10 x 3/4"	1503999
21	Pernot 1/4 - 20 x 1/2"	6401299
22	Tuerca Hexagonal 1/4 - 20	1300199
23	Cesta para Accesorios	7415111
24	Carretilla de Rueda Posterior	3487500
25	Eje	2442400
26	Rueda de 8"	2425010
27	Tuerca ciega	4300299
28	Base de Roldana Pivotante A	8568101
29	Base de Roldana Pivotante B	8568111
30	Arandela	2781018
31	Tornillo #10 x 1 SL Hex Head	1509699
32	Roldana Pivotante	6772200
33	Bolsa Colectora	9067200
34	Tapa del Drenaje	7446800



\* Las piezas de reemplazo pueden ser diferentes del equipo original.

\* Incluye 19-22