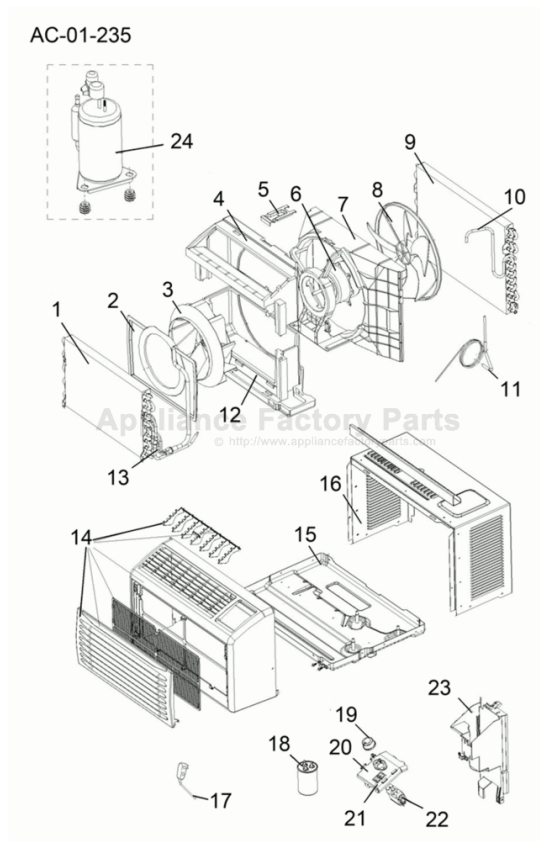


This Owner's Manual is provided and hosted by [Appliance Factory Parts](#).



Haier HWF05XCJ-E Owner's Manual

[Shop genuine replacement parts for Haier
HWF05XCJ-E](#)



[Find Your Haier Air Conditioner Parts - Select From 735 Models](#)

----- Manual continues below part list -----

Available Replacement Parts for Haier HWF05XCJ-E

| | |
|----------------------------|--|
| 5300126809 | PANEL READ ADD, INFO |
| WJ86X23969 | USE NLA ITEM ACCORDING LEFT FRAME ONLY |
| WJ01X23975 | USE WJ01X23761 BAG - HARDWARE |
| WJ86X23967 | Guide-upper |
| WJ86X23981 | USE NLA ITEM ACCORDIAN FRAME RIGHT |

Haier

What The World Comes Home To™

Room Air Conditioner

Climatisation de Pièce

Acondicionador De Aire



**HWF05XC7, HWF05XC7-2
HWF05XC7-L, HWF05XC7-T, HWF05XCJ**

User Manual
Manuel d'utilisation
Manual del Usuario

*Read instructions before installing.
Call 1-877-337-3639 for questions on parts and services.*

*Lire les instructions avant de procéder à l'installation.
Pour toutes questions concernant les pièces et l'entretien, composez le 1-877-337-3639.*

*Lea las Instrucciones antes de instalar el aparato
Llámenos al 1-877- 337-3639 si tiene preguntas sobre repuestos o servicios*

0010518324

A Word From Haier

Thank you for buying a dependable, energy-saving and easy-to-operate HAIER room air conditioner. This manual contains useful information for you to maintain, operate, install and safely use your room air conditioner. Your air conditioner cleans, cools and dehumidifies the air in your room to provide you with the ultimate level of comfort.






Please read instructions carefully before using the product. Also, do not forget to fill out and mail the **Product Registration Card**.

Product Registration

Record Your Model and Serial Number.

For all your service calls during the warranty period, the following information will be needed. Attach the sales receipt to this guide and keep for future reference. This information can be obtained from the serial plate, which is on your air conditioner. This is either on the cabinet (side or back), or you may have to remove the front grille to locate it.

Model Number:
 Serial Number:
 Date of Purchase:
 Dealer's Name:
 Dealer's Address:
 Dealer's Phone Number:

| TABLE | | | | | |
|---|---|---|---|--|---|
| RECEPTACLE AND FUSE TYPES | | | | | |
| RATED VOLTS | 125/60 | | 250/60 | | |
| AMPS | 15 | 20 | 15 | 20 | 30 |
| WALL OUTLET |  |  |  |  |  |
| FUSE SIZE | 15 | 20* | 15 | 20* | 30 |
| TIME DELAY FUSE (or circuit breaker) | Plug | Plug | Plug | | |

SAFETY PRECAUTIONS

WARNING: *Following these basic precautions will reduce the risk of fire, electrical shock, injury or death when using your air conditioner.*



- 1) The air conditioner must be connected to a proper electrical outlet with the correct electrical supply. *(see table)*
- ⚠ 2) Proper grounding must be ensured to reduce the risk of shock and fire. **DO NOT CUT OR REMOVE THE GROUNDING PRONG.** If you do not have a three-prong electric receptacle outlet in the wall, have a certified electrician install the proper receptacle. The wall receptacle **MUST** be properly grounded.
- ⚠ 3) Do not use if the power cord is frayed or otherwise damaged. Also, avoid using it if there are cracks or abrasion damage along the length, plug or connector.
- ⚠ 4) **DO NOT USE AN ADAPTER OR AN EXTENSION CORD.**
- ⚠ 5) When installing your air conditioner in a window, make sure the window is strong enough to hold the weight of the air conditioner. You also want to secure and install your air conditioner properly to prevent it from falling. Extra brackets and/or support may be required depending on your window.
- 6) Do not block the airflow inside or outside the air conditioner with blinds, drapes, protective covers, shrubs or bushes.
- 7) Be careful of sharp edges on the front and rear fins of the unit that could cut and cause serious injury.
- 8) Be careful when lifting the air conditioner to install or remove the unit. Always use two or more people for this.
- 9) Always unplug the air conditioner before servicing it or moving it.

Table Of Contents

| | PAGE |
|-----------------------------------|--------------|
| A Word From Haier | 1 |
| Product Registration | 1 |
| Safety Precautions | 2 |
| Warnings | 4 |
| Electrical Safety | 4 |
| Tips | 5 |
| Energy Saving Guide | 5 |
| Features | 6 |
| Operating Guide | 7-8 |
| Normal Operating Sounds | 7 |
| Operating Instructions | 7-8 |
| | |
| Installations | 9-13 |
| Parts Supplied | 10 |
| Tools | 10 |
| Steps for Installation | 11-13 |
| | |
| Clean and Care Guide | 14-15 |
| | |
| Troubleshooting | 15-16 |
| | |
| Warranty Information | 17 |

WARNINGS



Following the safety messages is very important.

These messages can save you from being injured or killed.

Warning symbols alert you to be careful and mean **Danger**. Always follow instructions to be safe and reduce chances of injury or death.

Warning and **Danger** signs will precede safety messages.

Electrical Safety



Grounding: This room air conditioner must be grounded. Grounding reduces the risk of electric shock by providing an escape wire for the electric current. The power cord has a grounding wire with a grounding plug. Plug it into an outlet that is properly installed and grounded.

WARNING: Improper use of the grounding plug can result in a risk of electric shock. Call a qualified electrician if you don't understand the grounding instructions, or if you are not sure if the air conditioner is properly grounded. If the wall outlet is not grounded, please contact an electrician to have it replaced with a properly grounded outlet.

Do not, under any circumstances, cut or remove the third (ground) prong from the power cord.

Adapter Plug: We strongly advise against using an adapter plug.

Important: Test power plug before each use:

1. Press "reset" button.
2. Press "test" button. Unit should trip.
3. Press "reset" button again for use.

Do not use if above test fails.
If this device trips, the cause of the malfunction must be corrected before further use of the device.

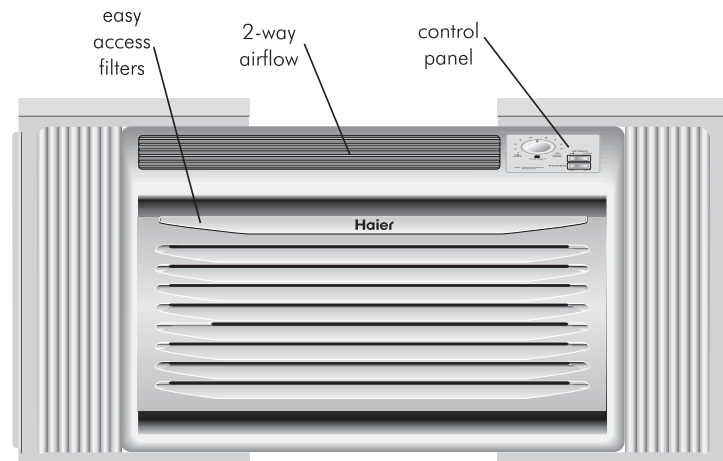
Tips

- This air conditioner is designed for use in a double hung window.
- While installing unit be sure to tilt air conditioner 5 degrees outward to have the water drip outside the house.
- Install the unit on the north side, as that is normally the shaded side. This will enhance the operation of your unit.
- ⚠ • The window has to be strong for installation. Extra brackets and/or support may be required depending on your window. (Brackets and supports not included in all models.)
- Measure the window before installing. If the window is too big for the unit you may require professional installation.
- ⚠ • Use the correct electric voltage and proper ampere for the unit to run effectively.
- ⚠ • Only let a certified electrician modify to your electrical outlet.
- Use a dedicated line for the operation of your air conditioner to avoid the possibility of an electrical surge.

Energy Saving Guide

- When installing your air conditioner, make sure to seal all areas where there is a possibility of air leakage.
- The airflow should not be blocked, either inside by curtains, drapes or furniture, or outside by shrubs or bushes.
- Do not needlessly use an electrical light or other appliances that produce heat.
- Keep the blinds and drapes drawn on all other windows.
- While cooking, use an exhaust fan in the kitchen to remove the excess heat.
- Always use the correct BTU size air conditioner to cool the room to attain optimum efficiency.

Features



1. Temperature Set Knob

This knob adjusts the temperature of the air,-- The higher the setting the cooler the air temperature. With this knob you can set the temperature to your desired comfort level, min.cool being the warmest and max.cool being the coldest.

2. MODE Set Switch

With this knob you can control the fan speed as well as the cooling speed. You have 2 Fan speeds to choose from: HI and LO.

3. 2-Way Air Flow

The air directional louvers let you control the direction of the airflow to the desired direction. The airflow can be directed right side-left side.

4. Window Install Kit

This kit enables you to install the air conditioner in a double hung window. Extra brackets or support may be needed, depending on your window.

5. How The Unit Drains

On humid days with the air conditioner in use, moisture may collect on the pan or the bottom of the air conditioner. If the unit is positioned properly, the moisture will gather towards the back of the unit. This will not affect the operation of the unit and the moisture will evaporate in time. Occasionally the moisture will flow over the back of the pan, but this will not affect the operation of the unit. Never drill holes in the pan under any circumstance.

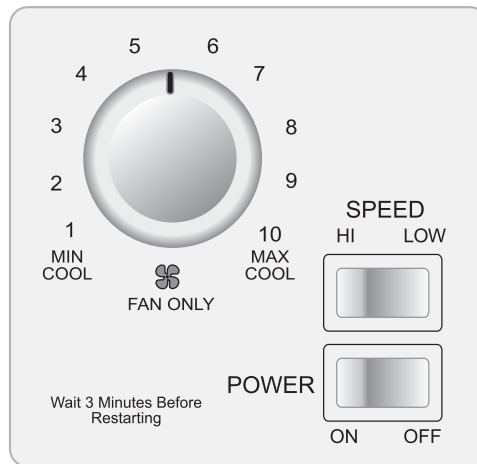
Operating Guide

Normal Operating Sounds

The following sounds are normally heard during the operation of an air conditioner.

- Thermostat clicks. As the thermostat cycles on/off you will hear this sound.
- Cool airflow movement as dictated by the set fan speed.
- Water sounds. This is normal since your air conditioner also acts as a dehumidifier. Thus you will hear water sounds from water drops falling on the condenser.
- As the refrigerant flows through the inner sealed tubing, a rushing noise may occur.
- Rattling or vibrating noises may be heard due to poor wall or window installation.
- High pitch compressor sound may be heard.

Operating Instructions



English

After installing your air conditioner, plug it into the proper electrical outlet in the wall.

POWER Turns air conditioner off.

SPEED "LOW" Low speed fan operation with optional cooling.

SPEED "HI" High speed fan operation with optional cooling.

This automatically controls the temperature of indoor air. Turn the knob so that the arrow points to the cooler marks for more moderate cooling.

Normal Fan

1. Turn the SPEED mode switch to the "HI" or the "LOW" setting.
2. Set the thermostat control to the temperature mark "FAN ONLY".

Normal cooling

1. Turn the SPEED mode switch to the "HI" or the "LOW" setting.
2. Set the thermostat control to the desired temperature. (The mid-point is a good starting position.)

If the room temperature is not satisfactory after a reasonable time, adjust the control to a warmer setting, as appropriate.

Maximum cooling

1. Turn the SPEED mode switch to the "HI" setting.
2. Set the thermostat control to the MAX COOL temperature mark.

Quieter operation









1. Turn the SPEED mode switch to the "LOW" setting.
2. Set the thermostat control as needed.

CAUTION:

- 1) **Remember** the compressor of your air conditioner **will not** work when the temperature goes below 61°F.
- 2) **When you shut off the air conditioner wait for 3 minutes before turning it on again.** This is the compressor cycle time.
- 3) If you have any trouble in operating your air conditioner, please refer to the Trouble Shooting section.

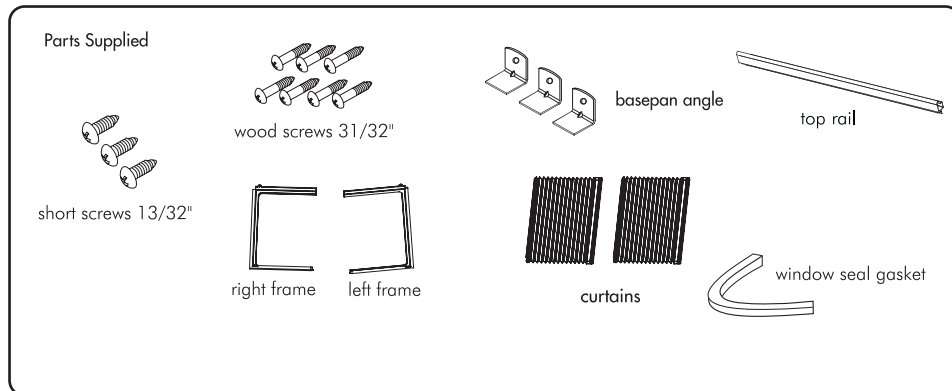
Installations

Before you install your air conditioner, check the following:

- 1) The unit is free of all obstructions inside and outside the room, e.g. drapes, curtains, furniture, plants, shrubs, bushes, trees, other structures like buildings, garage, etc. The air conditioner must have a clear, unobstructed airflow through the condenser to remove heat.
- 2) The window is strong enough to hold the weight of the air conditioner. Extra brackets or supports may be needed depending on your windows. (Brackets or supports not provided in all models)
- 3) The windowsill and track are strong enough to hold the weight of the air conditioner.
- 4) The wall is strong enough to hold the unit. Extra brackets or supports may be needed depending on the wall. (Brackets or supports not provided in all models)
- 5) There is adequate and proper power supply near the air conditioner.
-  6) Be careful of exposed sharp edges of the cabinet and sharp coils (fins) on the back of the unit that could cut and cause serious injury.
-  7) DO NOT use adapter plugs.
-  8) DO NOT use extension cords.
-  9) DO NOT cut or remove the ground prong.
-  10) DO NOT modify the plug or the electrical wall outlet in any way. If plug does not fit the electrical outlet have a certified electrician do the necessary change.
-  11) DO NOT connect electrical power to the unit before installation.
-  12) DO NOT use if power cord is worn out, frayed or otherwise damaged. Avoid using if there are cracks or abrasion damage along the length, plug or connection.
-  13) DO NOT install into any existing cabinet or sleeve which does not have side and top air vents.

English

Parts



Tools

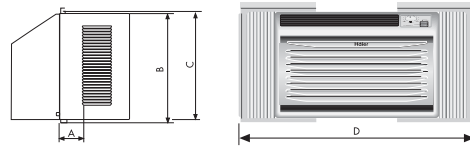
You will need to have the following tools to help you in the installation of your air conditioner.

- Scissors
- Phillips Screwdriver
- Standard Screwdriver
- Pliers
- Wrench
- Drill and Drill Bits
- Tape Measure
- Gloves
- Level
- Sockets

Installing Unit into A Window

Window Opening Requirements

The air conditioner is designed to fit into double or single hung sash type windows. Each of the units comes with an installation kit that provides adjustable mounting louvers to fill the gaps between the sides of the unit and the window frame. The chart below reflects the dimensions of the units with and without installation kits. Measure your window opening width and compare it to the chart below to ensure that it meets the minimum and maximum window width requirements.

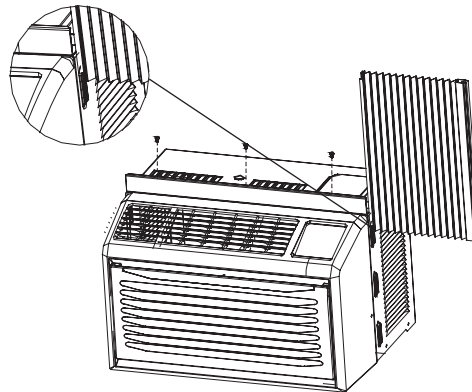
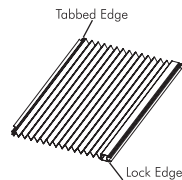


| Model | HWF05XC7,HWF05XC7-2,HWF05XC7-L,HWF05XC7-T,HWF05XCJ | |
|-------------|--|---------------------|
| Dimension | | |
| A(inch) | | $1\frac{31}{32}$ " |
| B(inch) | | $11\frac{5}{8}$ " |
| C(inch) | | $12\frac{3}{8}$ " |
| D(inch) Max | | 36" |
| D(inch) Min | | $23\frac{1}{4}$ " |
| Case High | | $11\frac{5}{32}$ " |
| Case Width | | $17\frac{9}{32}$ " |
| Case Depth | | $12\frac{27}{32}$ " |

1 ASSEMBLE CURTAINS/TOP RAIL

Install top rail with 3 short screws $1\frac{3}{32}$ ".
Place tabbed side of curtain in track on side of air conditioner cabinet, and slide down the track until the curtain is even on top and bottom.

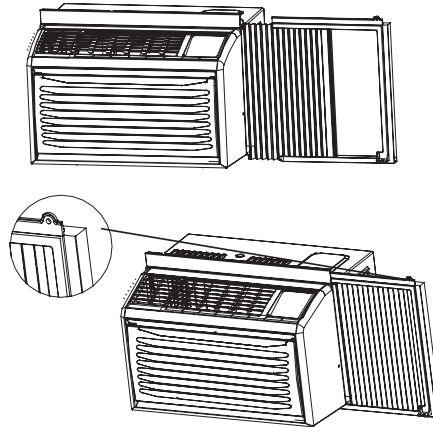
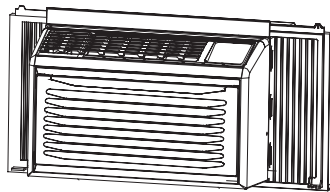
Caution: Never expose plastic front or grille to extreme temperatures.



2 ASSEMBLE LEFT FRAME / RIGHT FRAME

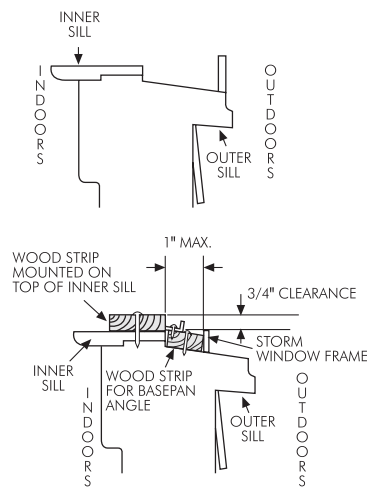
Slide the left frame onto the air conditioner cabinet using the tracks on the top and bottom of the unit. Slide the frame as close to the air conditioner as possible so that the curtain locks into place. Gently pull the frame out until it is the correct length for your application.

Install the left curtains and frames in the same way.



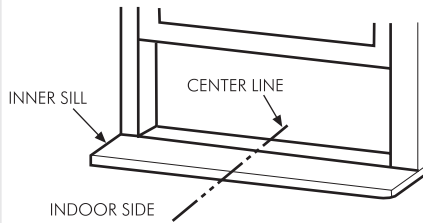
3 PREPARE WINDOW FOR INSTALLATION

1. This unit is designed for installation in standard double hung windows with actual opening widths of 23,25" to 36". The upper and lower sash must open sufficiently to allow a clear vertical opening of 12" from the bottom of the sash to the window stool.
2. If storm window presents interference, fasten a 2" wide wood strip (not included) (OUTER SILL) to the inner window sill across the full width of the sill. The wood strip should be thick enough to raise the height of the window sill so that the unit can be installed without interference by the storm window frame (STORM WINDOW FRAME) or wood strip (OUTDOORS) to help condensation to drain properly to the outside.
3. Install a second wood strip (approximately 6" long by 3/2" wide and same thickness as first strip) in the center of the outer sill flush against the back of the inner sill. This will raise basepan angle.
4. If the distance between STORM WINDOW FRAME and WOOD STRIP MOUNTED ON TOP OF INNER SILL is more than 1", two wood strips are not necessary.



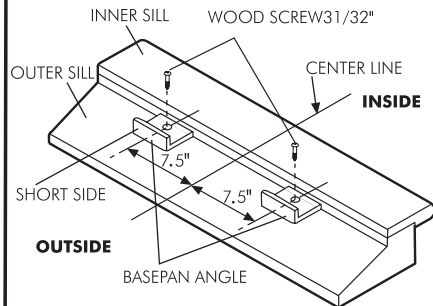
4 LOCATING UNIT IN WINDOW

Open the window and mark center line on the center of the inner sill.



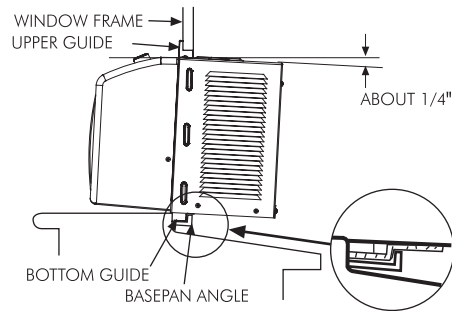
5 ATTACH BASEPAN ANGLE

Install the basepan angle behind the inner windowsill, with the short side of basepan angle as shown. Use the 2 wood screws 31/32" provided. The basepan angle helps to hold unit securely in place. Be sure to place basepan angle edge flush against back of inner sill.



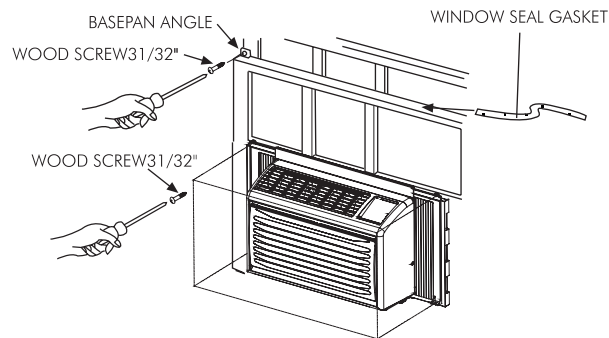
6 INSTALL THE AIR CONDITIONER IN THE WINDOW

Carefully lift the air conditioner and slide it into the open window. Make sure the bottom guide of the air conditioner drops into the notches of the basepan angle. While steadying the air conditioner, carefully bring the window sash down behind the upper guide of the air conditioner.

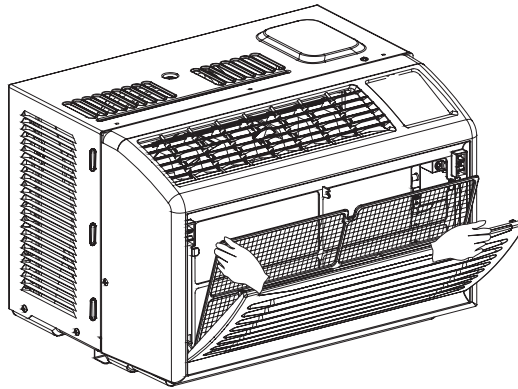


7 INSTALL THE SEAL GASKET AND SASH LOCK

Extend the side curtains to fill the window opening using 4 wood screws 31/32" to secure them. Cut the seal gasket to the window width. Stuff the sash seal between the glass and the window to prevent air and insects from getting into the room. Fasten the basepan angle, using a wood screw 31/32".



Care and Cleaning Guide



- **Always unplug your air conditioner before cleaning.**

- The air filter behind the inlet grille should be checked and cleaned at least once every 2 weeks (or as necessary) to maintain optimal performance of the air conditioner.

How to remove the air filter

1. The grille may be opened from the top for easy maintenance after installation.
2. Open the inlet grille by pulling off the exposed door on the top of the unit (based on the installation).
3. Pull the tab slightly to release the filter. Pull the filter in the same direction as the opening.
4. Clean the filter with warm, soapy water. The water should be below 40°C(104°F).
5. Rinse off and gently shake off excess water from the filter. Let it dry before replacing it.

DO NOT use your air conditioner without the air filter in place.

- **To clean the front panels or the cabinet DO NOT use harsh chemicals, abrasives, ammonia, chlorine, bleach, concentrated detergents, solvents or metal scouring pads.**

Some of these chemicals may dissolve, damage and/or discolor your air conditioner.

- **Always use a soft cloth dampened with water or mild soap and water solution to wipe the front of the cabinet.**

Wipe dry with a soft cloth.

- To store your air conditioner, remove the unit from the window as per the installation guide. Repack the unit in its original box and store . If you do not intend to remove it from the window then cover the outside with a winter cover.
This can be purchased from the retailer where you purchased your air conditioner or from your local hardware store.
- Before putting away your unit make sure any water left in the pan is removed and drained away. Water left in the pan could lead to rusting or damage to the electrical connections.

Trouble-Shooting

If air conditioner does not operate:

- Check if unit is plugged in. The plug may have come loose.
- Check if the unit is in the "Off" mode.
- The fan control may be in the "Off" position.

Air from air conditioner is warm:

- The A/C setting may need to be raised.
- The temperature outside the room is below 61°F. The compressor will not cycle on if the temperature outside is below 61°F.

Ice formation on cooling coils:

- The outside temperature too cold. Set the unit on "fan only" setting to defrost ice.
- Lower temperature setting. The temperature setting may be too cold.
- The unit BTU may be too high for the room.

English

Air conditioner is working but room is not cooling:

- The room may have appliances that produce heat. Use an exhaust fan to remove excess heat.
- Redirect the airflow. Remove any obstacles.
- All doors and windows need to be closed so cool air does not escape the room.
- The air filter may need cleaning.
- The unit BTU may be too low for the required cooling area.
- On extreme hot & humid days , air conditioners may take a little longer to cool.

Air conditioner is making noise when cooling:

You may hear sounds of air movement, water, compressor clicking on and off or window vibrations. Please read Operating Guide – Normal Operating Sounds. (see page 7)

Water in the air conditioner cabinet:

This is normal , as your air conditioner not only cools but also dehumidifies the air. If there is water dripping inside the room, check the installation of the unit. The unit may need to be reinstalled. (see page 13)

Limited Warranty

This warranty covers all defects in workmanship or materials for:

1. The mechanical and electrical parts (including labor costs) contained in this Haier product, for a period of 12 months, from the date of purchase, (commercial or rental application, the warranty is 90 days).
2. The sealed system and compressor contained in this Haier product is for a period of 1 years, from the date of purchase .

You must keep and be able to provide your original sales receipt as proof of the date of purchase.

Who is covered?

The original retail purchaser of this Haier product.

What will be done?

Haier will repair or replace, in your home, any mechanical or electrical part or the compressor, which proves defective in normal household, used for a period of 12 months.

How can you get service?

1. Contact your nearest Haier authorized Service Depot. For the name of the Service Depot nearest you, contact Haier at (877) 337-3639.
2. All service must be performed by an authorized Haier Service Depot.

THIS WARRANTY COVERS UNITS WITHIN THE CONTINENTAL UNITED STATES, CANADA AND PUERTO RICO.

THIS WARRANTY DOES NOT COVER:

- Damages from improper installation
- Damages in shipping
- Damages from misuse, abuse, accident, alteration, lack of proper care and maintenance
- Damages from service, by other than an authorized dealer or service center

THIS LIMITED WARRANTY IS GIVEN IN LIEU OF ALL OTHER WARRANTIES, EXPRESS OR IMPLIED, INCLUDING THE WARRANTIES OF MERCHANTABILITY AND FITNESS FOR A PARTICULAR PURPOSE.

The remedy provided in this warranty is exclusive and is granted in lieu of all other remedies. This warranty does not cover incidental or consequential damages. Some states do not allow the exclusion of incidental or consequential damages, so this limitation may not apply to you. Some states do not allow limitations on how long an implied warranty lasts, so this limitation may not apply to you. This warranty gives you specific legal rights, and you may also have other rights, which vary from state to state.