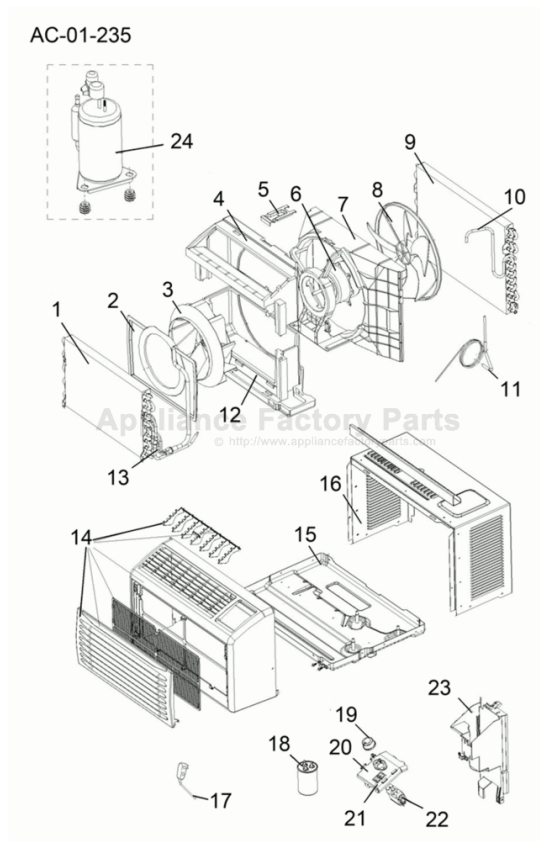


This Owner's Manual is provided and hosted by [Appliance Factory Parts](#).



# Haier HWF05XCJ-E Owner's Manual

[Shop genuine replacement parts for Haier  
HWF05XCJ-E](#)



[Find Your Haier Air Conditioner Parts - Select From 735 Models](#)

----- Manual continues below part list -----

## Available Replacement Parts for Haier HWF05XCJ-E

<a href="#">5300126809</a>	PANEL READ ADD, INFO
<a href="#">WJ86X23969</a>	USE NLA ITEM ACCORDING LEFT FRAME ONLY
<a href="#">WJ01X23975</a>	USE WJ01X23761 BAG - HARDWARE
<a href="#">WJ86X23967</a>	Guide-upper
<a href="#">WJ86X23981</a>	USE NLA ITEM ACCORDIAN FRAME RIGHT

# Haier SERVICE MANUAL

Order No.AC0905S004V0



## Mode HWF05XCJ

### ● Feature

- Top Discharge Airflow Pattern
- Ultra-Quiet Operation
- Modern Family-look Design
- Safety Power Cord
- 3 Cool Settings, 3 Fan Settings
- Easy-to-install Mounting Kit
- Easy-Access Washable Filter
- Digital Time & Temperature Display
- 24 Hour on/off Timer

### ⚠ WARNING

This service information is designed for experienced repair technicians only and is not designed for use by the general public. It does not contain warnings or cautions to advise non-technical individuals of potential dangers in attempting to service a product. Products powered by electricity should be serviced or repaired only by experienced professional technicians. Any attempt to service or repair the product or products dealt with in this service information by anyone else could result in serious injury or death

©2009 (Qingdao Haier Air Conditioner General corp.,Ltd)  
All right reserved .Unauthorized copying and distribution is a violation of law

## Haier Group

# Table of Content

<b>1. Product Code Illumination and Series introduction.....</b>	<b>2</b>
<b>2. Specifications.....</b>	<b>3</b>
<b>3. Safety and Precaution.....</b>	<b>4</b>
<b>4. Warning and Cautions.....</b>	<b>5</b>
<b>5. Installation and Accessory Parts.....</b>	<b>6</b>
<b>6. Parts and Functions.....</b>	<b>11</b>
<b>7. Abnormity Diagnose.....</b>	<b>12</b>
<b>8. System Flow Chart.....</b>	<b>13</b>
<b>9. Wiring Diagram.....</b>	<b>14</b>

# 1. Product Code Illumination and Series Introduction

## 1). Model identification:

$\frac{H}{A}$     $\frac{W}{B}$     $\frac{\square}{C}$     $\frac{\square\square}{D}$     $\frac{\square}{E}$     $\frac{\square}{F}$     $\frac{\square}{G}$

A: Abbreviation of Haier

B: Abbreviation of Window

C: R-Remote Control

F-Mechanical Control

D: Nominal cooling capacity (BTU/h) with the first two numbers based on one thousand unit

E: The type of power supply

X - 115V/60HZ

V - 208/230V/60HZ

F: Function code

C - Cooling only

H - Heating pump

E - Electric aided heating

G: Design code

Examples:

HWF05XCJ

It represents remote control window air conditioner. Cooling capacity is 5000BTU/h and the power supply is 115V/60Hz.

## 2). Standard situation/conditions

No.	Operating condition	Indoor air state		outdoor air state	
		D.B. °C	W.B. °C	D.B. °C	W.B. °C
1	Nominal cooling	26.7	19.4	35	23.9

## 2. Specification

Item		Unit	HWF05XCJ
Cooling capacity		BTU/h	5000
Heating capacity		BTU/h	/
Power supply			1PH/115V/60HZ
Cooling	Power input	W	515
	Running current	A	4.6
	EER	BTU/(h·W)	9.7
Heating	Power input	W	/
	Running current	A	/
	COP	BTU/(h·W)	/
Sound Level	Indoor side	dB(A)	51
	Outdoor side	dB(A)	56
Net dimensions	Height	inches	11 5/32
	Width	inches	17 9/32
	Depth	inches	12 27/32
Packaging dimensions	Height	inches	12 25/32
	Width	inches	19 11/16
	Depth	inches	14 15/16
Weight	Net	lbs	38
	Gross	lbs	43.4
Compressor	Type		RECHI
	Model	/	39A121A
	Running cap. For comp.	μF	35
Pressure	Hi-Pressure	Psig	500
	Low-Pressure	Psig	240
Refrigerant	Model	R22 or R410A	R410A
	Charge	OZ	11.6
Fan	Type	Indoor unit	/
		Outdoor unit	/
	Fan Speed	Indoor unit	r/min
Air volume		CFM	130/110
Moisture removal		Pints/hr	1.8

### 3. Safety and Precaution



**WARNING:** Following these basic precautions will reduce the risk of fire ,electrical shock ,injury or death when using your air conditioner .

1) Air conditioner must be connected to proper electrical outlet with the correct electrical supply .



2) Proper grounding must be ensured to reduce the risk of shock and fire .

**DO NOT CUT OR REMOVE THE GROUNDING PRONG.**

If you do not have a three-prong electric receptacle outlet in the wall, have a certified electrician install the proper receptacle . The wall receptacle **MUST** be properly grounded .



3) **DO not** use if power cord is frayed or damage . Also avoid using if there are cracks or abrasion damage along the length ,plug or connector .



4)**DO NOT USE AN ADAPTER OR AN EXTENSION CORD.**



5)When installing your air conditioner in a window,make sure the window is strong enough to hold the weight of the air conditioner.You also want to secure and correctly install your air conditioner property to prevent it from falling.Extra brackets or support may be required depending on your window.

6) Do not block airflow inside or outside the air conditioner with blinds,drapes,protective covers,shrubs or bushes.

7)Be careful of sharp edges on the front and rear fins of the unit that could cut and cause serious injury.

8)Be careful when lifting the air conditioner to install or remove the unit . Always use two or more people for this .

9)Always unplug the air conditioner before servicing it or moving it .

## 4.Warning and Cautions

**WARNINGS:** Following the safety messages is very important .



These messages can save you from being injured or killed. Warning symbols alert you to be careful and means Danger . Always follow instructions to be safe and reduce chances of injury or death . Warning and Dangersigns will precde safety messages .

### Electrical Safety

**Grounding:** This room air conditioner must be grounded . Grounding reduces the risk of electric shock by providing an escape wire for the electric current . The power cord has a grounding wire with a grounding plug . Plug it into an outlet that is properly installed and grounded .



**WARNING:** Improper use of the grounding plug can result in a risk of electric shock .










Call a qualified electrician if you don't understand the grounding instructions or if you are not sure if the air conditioner is properly grounded .If the wall outlet is not grounded , please contact an electrician to have it replaced with a properly grounded outlet .

**Do not, under any circumstances, cut or remove the third (ground) prong from the power cord.**

**Adapter Plug:** We strongly advise against using an adapter plug .

## 5. Installation and Accessory Parts

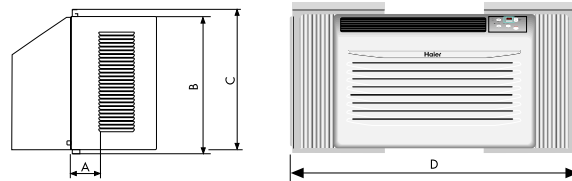
Before you install your air conditioner check the following:

- 1) The unit is free of all obstructions inside and outside the room e.g. drapes, curtains, furniture, plants, shrubs, bushes, trees, other structures like building, garage etc.  
Air conditioner must have clear unobstructed airflow through the condenser to remove the heat.
- 2) The window is strong enough to hold the weight of the air conditioner. Extra brackets or supports may be needed depending on your windows. Brackets or supports not provided in all models.
- 3) The window sill and track are strong enough to hold the weight of the air conditioner.
- 4) The wall is strong enough to hold the unit. Extra brackets or supports may be needed depending on the wall. (Brackets or Supports not provided in all models).
- 5) There is adequate and proper power supply near the air conditioner.
- 6) Be careful of exposed sharp edges of the cabinet and sharp coils (fins) on the back of the unit that could cut and cause serious injury.
-  7) DO NOT use adapter plugs.
-  8) DO NOT use extension cords.
-  9) DO NOT cut or remove the ground prong.
-  10) DO NOT modify the plug or the electrical wall outlet in any way. If plug does not fit the electrical outlet have a certified electrician do the necessary change.
-  11) NOT connect electrical power to the unit before installation.
-  12) DO NOT use if power cord is worn out, frayed or damaged. Avoid using if there are cracks or abrasion damage along the length, plug or connection.
-  13) Be careful of exposed sharp edges of the cabinet and sharp coils (fins) on the back of the unit that could cut and cause serious injury.

## Installing Unit into A Window

### Window Opening Requirements

The air conditioner is designed to fit into double or single hung sash type windows. Each of the units comes with an installation kit that provides adjustable mounting louvers to fill the gaps between the sides of the unit and the window frame. The chart below reflects the dimensions of the units with and without installation kits. Measure your window opening width and compare it to the chart below to ensure that it meets the minimum and maximum window width requirements.



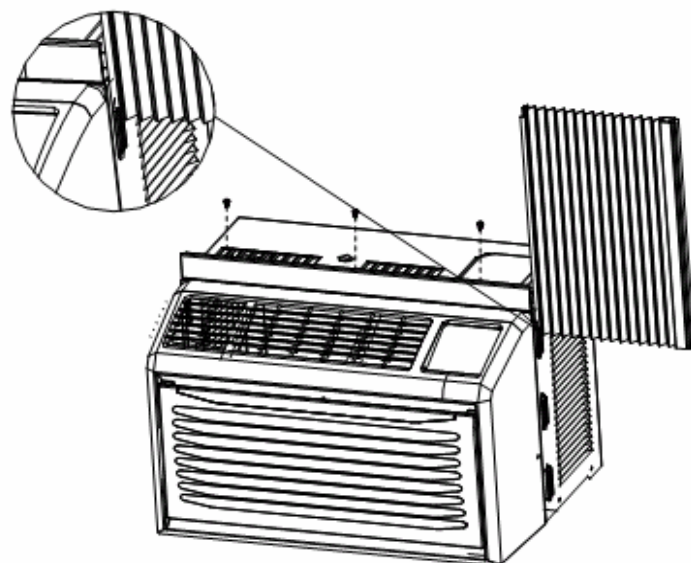
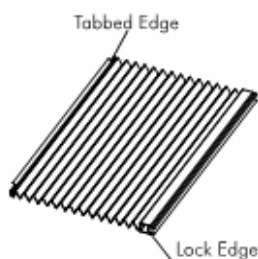
Model	HWF05XCJ
Dimension	
A(inch)	$1\frac{31}{32}$ "
B(inch)	$11\frac{5}{8}$ "
C(inch)	$12\frac{3}{8}$ "
D(inch) Max	36"
D(inch) Min	$23\frac{1}{4}$ "
Case High	$11\frac{5}{32}$ "
Case Width	$17\frac{9}{32}$ "
Case Depth	$12\frac{27}{32}$ "

### 1 ASSEMBLE CURTAINS/TOP RAIL

Install top rail with 3 short screws  $1\frac{3}{32}$ ".

Place tabbed side of curtain in track on side of air conditioner cabinet, and slide down the track until the curtain is even on top and bottom.

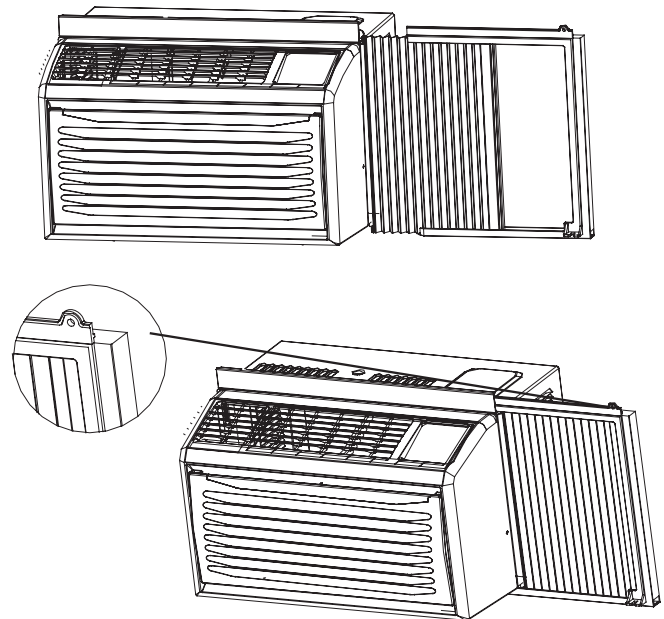
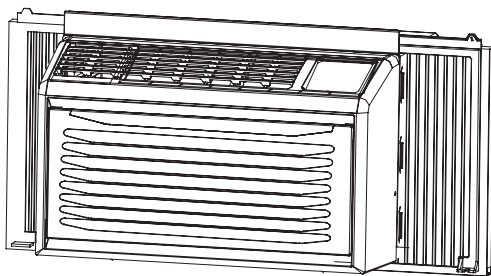
**Caution:** Never expose plastic front or grille to extreme temperatures.



## 2 ASSEMBLE LEFT FRAME / RIGHT FRAME

Slide the left frame onto the air conditioner cabinet using the tracks on the top and bottom of the unit. Slide the frame as close to the air conditioner as possible so that the curtain locks into place. Gently pull the frame out until it is the correct length for your application.

Install the left curtains and frames in the same way.



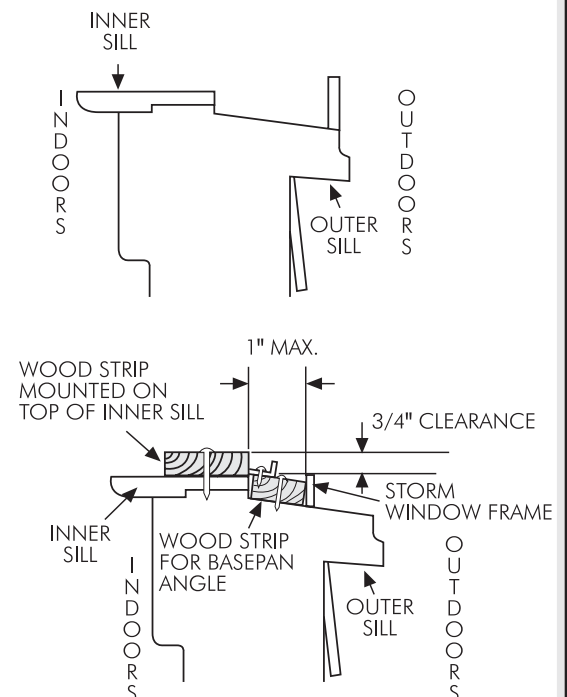
## 3 PREPARE WINDOW FOR INSTALLATION

1. This unit is designed for installation in standard double hung windows with actual opening widths of 23,25" to 36". The upper and lower sash must open sufficiently to allow a clear vertical opening of 12" from the bottom of the sash to the window stool.

2. If storm window presents interference, fasten a 2" wide wood strip (not included) (OUTER SILL) to the inner window sill across the full width of the sill. The wood strip should be thick enough to raise the height of the window sill so that the unit can be installed without interference by the storm window frame (STORM WINDOW FRAME) or wood strip (OUTDOORS) to help condensation to drain properly to the outside.

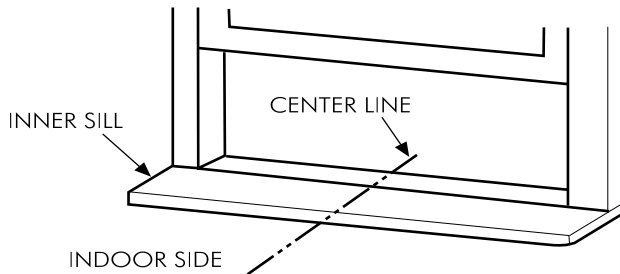
3. Install a second wood strip (approximately 6" long by 3/2" wide and same thickness as first strip) in the center of the outer sill flush against the back off the inner sill. This will raise basepan angle .

4. If the distance between STORM WINDOW FRAME and WOOD STRIP MOUNTED ON TOP OF INNER SILL is more than 1" , two wood strips are not necessary.



## 4 LOCATING UNIT IN WINDOW

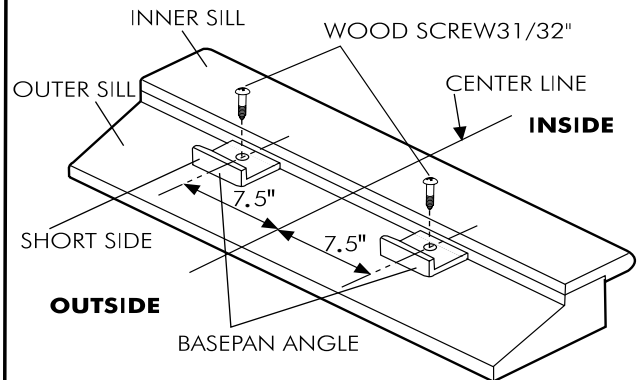
Open the window and mark center line on the center of the inner sill.



## 5 ATTACH BASEPAN ANGLE

Install the basepan angle behind the inner windowsill, with the short side of basepan angle as shown. Use the 2 wood screws  $31/32$ " provided.

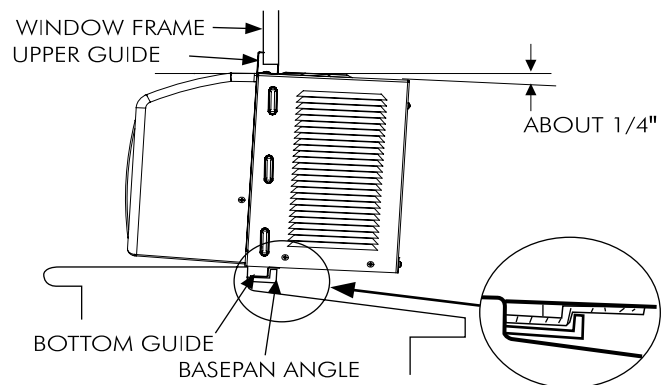
The basepan angle helps to hold unit securely in place. Be sure to place basepan angle edge flush against back of inner sill.



## 6 INSTALL THE AIR CONDITIONER IN THE WINDOW

Carefully lift the air conditioner and slide it into the open window. Make sure the bottom guide of the air conditioner drops into the notches of the basepan angle.

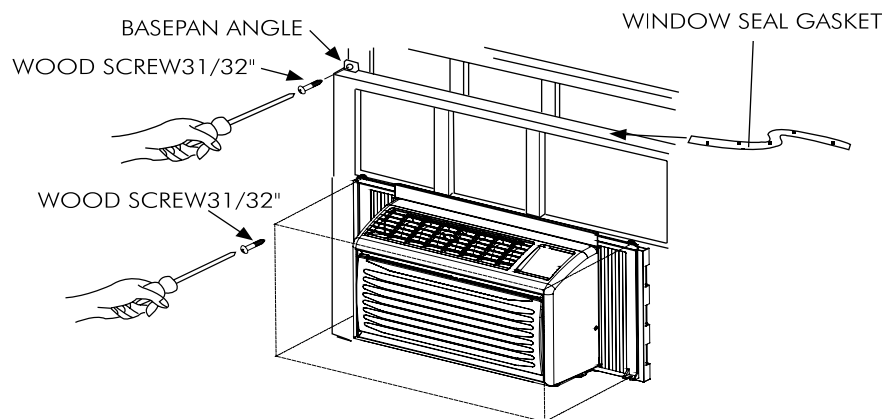
While steadying the air conditioner, carefully bring the window sash down behind the upper guide of the air conditioner.



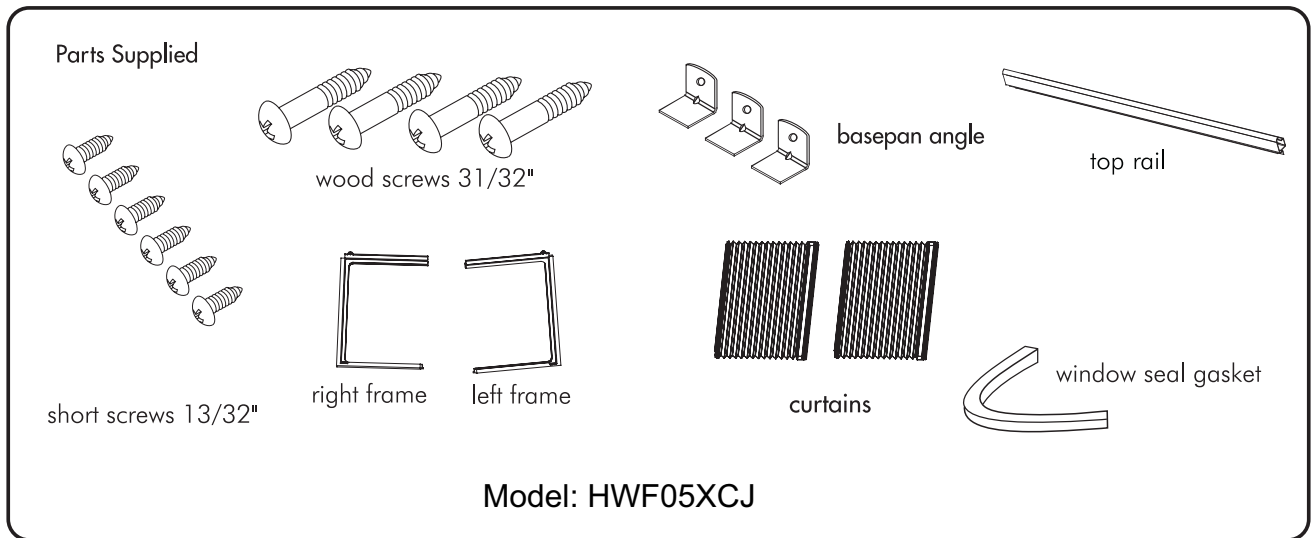
## 7 INSTALL THE SEAL GASKET AND SASH LOCK

Extend the side curtains to fill the window opening using 4 wood screws  $31/32$ " to secure them.

Cut the seal gasket to the window width. Stuff the sash seal between the glass and the window to prevent air and insects from getting into the room. Fasten the basepan angle, using a wood screw  $31/32$ ".



## Parts

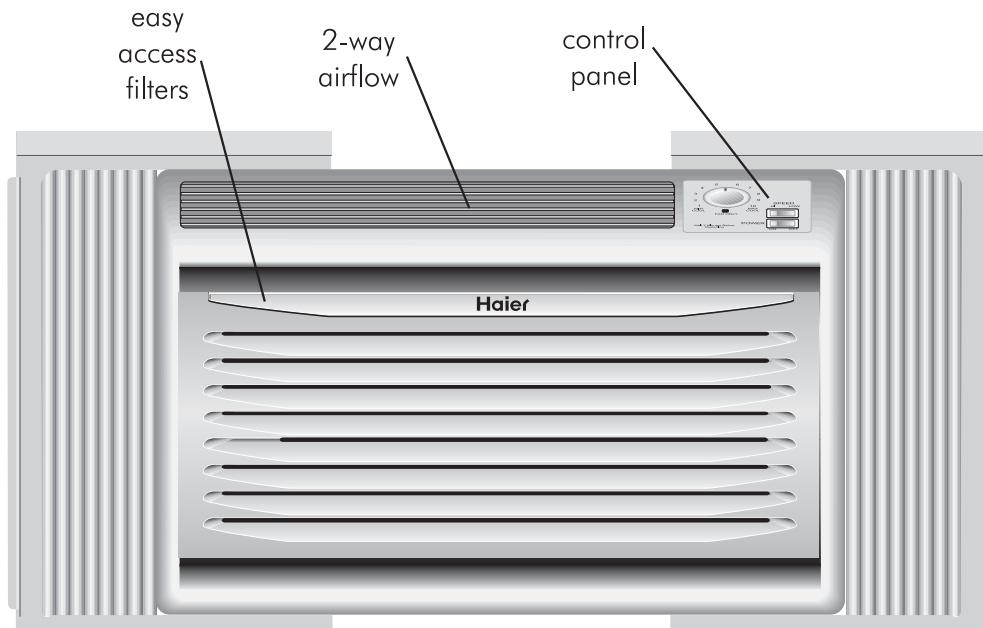


## Tools

You will need to have the following tools to help you in the installation of your air conditioner.

- Scissors
- Phillips Screwdriver
- Standard Screwdriver
- Pliers
- Wrench
- Drill and Drill Bits
- Tape Measure
- Gloves
- Level
- Sockets

## 6. Parts and Functions



MODEL:HWF05XCJ

### 1. Temperature Set Knob

This knob adjusts the temperature of the air,--The higher the setting the cooler the air temperature. With this knob you can set the temperature to your desired comfort level, min.cool being the warmest and max. cool being the coldest.

### 2. Mode Set Switch

With this knob you can control the fan speed as well as the cooling speed. You have 2 Fan speeds to choose from: HI and LO.

### 3. Function

The air directional louvers let you control the direction of the airflow to the desired direction. The airflow can be directed right side-left side.

### 4.Window Install Kit

This kit enables you to install the air conditioner in a double hung window. Extra brackets or support may be needed, depending on your window.

### 5. How The Unit Drains

On humid days with the air conditioner in use, moisture may collect on the pan or the bottom of the air conditioner. If the unit is positioned properly, the moisture will gather towards the back of the unit. This will not affect the operation of the unit and the moisture will evaporate in time. Occasionally the moisture will flow over the back of the pan, but this will not affect the operation of the unit. Never drill holes in the pan under any circumstance.

## 7. Abnormity Diagnose

### If air conditioner does not operate:

Check if the unit is plugged in. The plug may have come loose.

Check if the unit is in the "OFF" mode.

### Air from air conditioner is warm:

The A/C setting may need to be raised.

### Ice formation on cooling coils:

The outside temperature is too cold. Set the unit on "fan only" setting to defrost ice.

The temperature setting may be too cold.

The unit BTU may be too high for the room.

### Air conditioner is working but room is not cooling:

The room may have appliances that produce heat. Use an exhaust fan to remove excess heat.

Redirect the airflow. Remove any obstacles.

All doors and windows need to be closed so cool air does not escape the room.

The air filter may need cleaning.

The unit BTU may be too low for the required cooling area.

On extreme hot & humid days, air conditioners may take a little longer to cool.

Vent may be in the open position. Vent has to be closed for optimum cooling.

### Air conditioner is making noise when cooling:

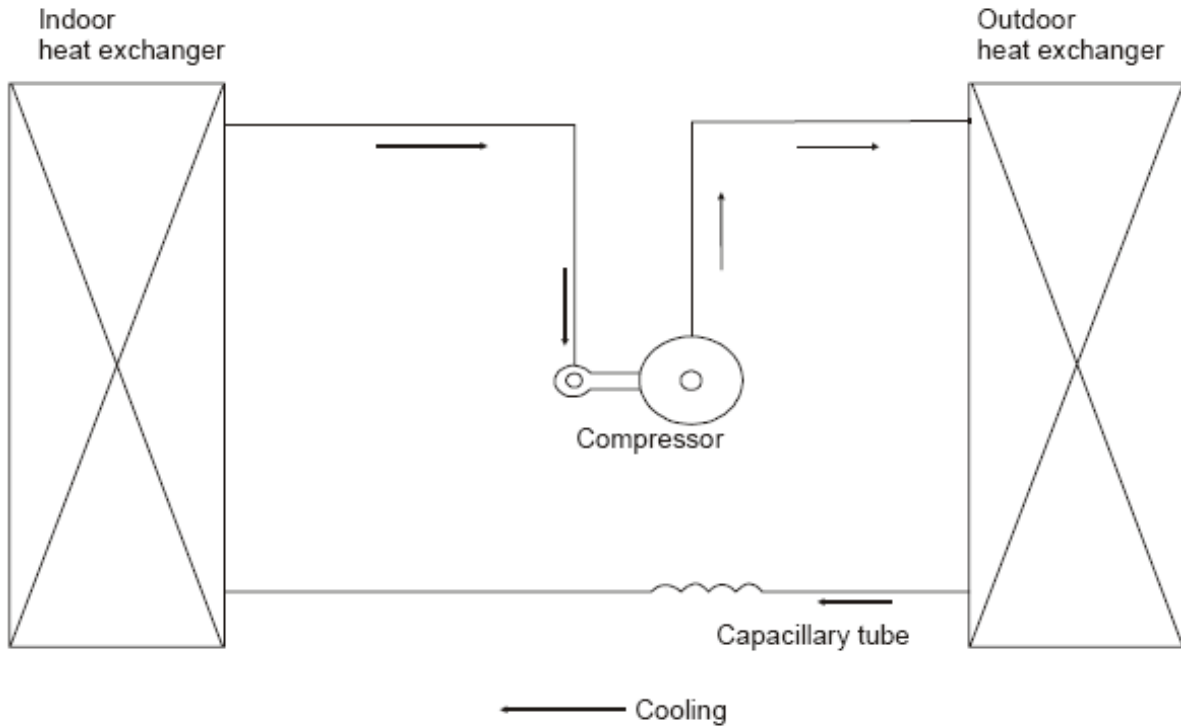
You may hear sounds of air movement, water, compressor clicking on and off or window vibrations.

Please read Operating Guid- Normal Operating Sounds.

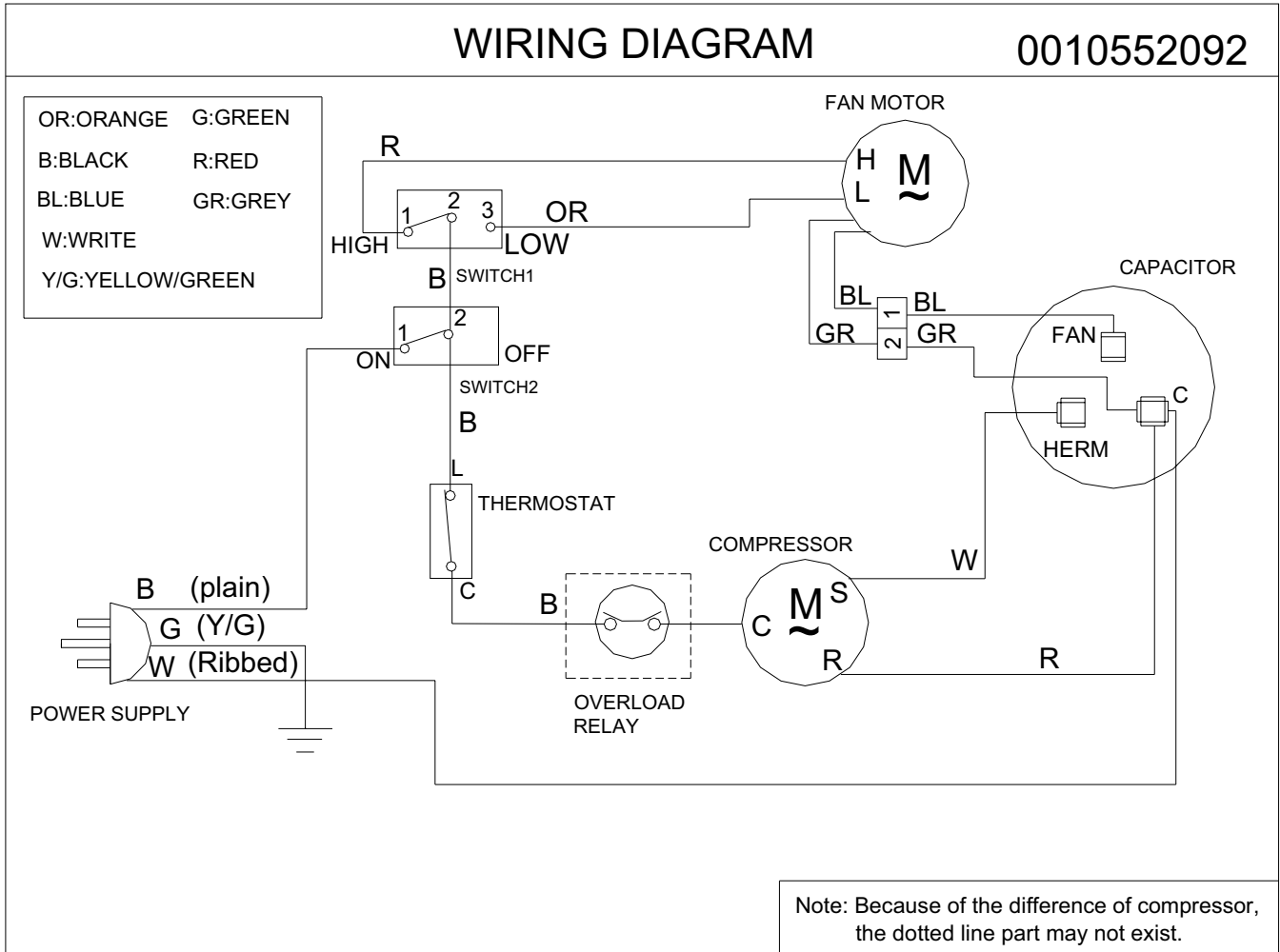
### Water in the air conditioner cabinet:

This is normal, as your air conditioner not only cools but also dehumidifies the air. If there is water dripping inside the room, check the installation of the unit. The unit may need to be reinstalled.

# 8. System Flow Chart



# 9. Wiring diagram



# Sincere Forever

## Haier Group

---

Haier Industrial Park, No.1, Haier Road

266101, Qingdao, China\_

E-mail: [hractech@haier.com](mailto:hractech@haier.com)

Tel: +86 532 87636960

[Http://www.haier.com](http://www.haier.com)

Edited by: Zhang lingling  
Lihao

Signed by: Yao Hongfang

Approved by: Wang Xibo