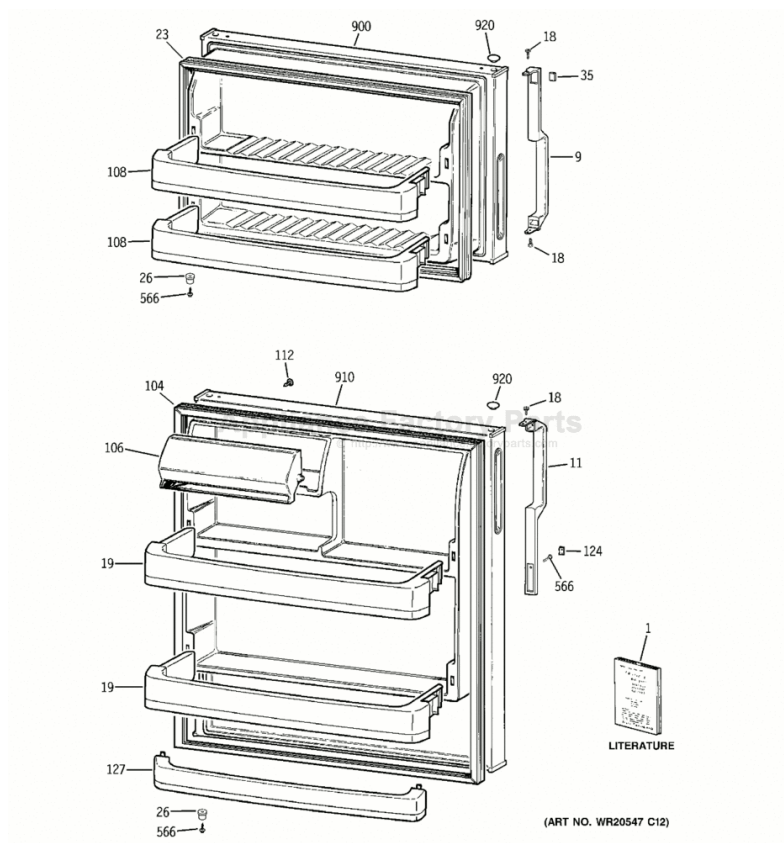


This Owner's Manual is provided and hosted by [Appliance Factory Parts](#).



GE HTH18EBDCRCC Owner's Manual

[Shop genuine replacement parts for GE
HTH18EBDCRCC](#)



[Find Your GE Refrigerator Parts - Select From 27438 Models](#)

----- Manual continues below part list -----

Available Replacement Parts for GE HTH18EBDCRCC

| | |
|----------------------------|-------------------------------|
| 40A15 | BULB APPLIANCE |
| WR17X11911 | SHELF FIXED FF |
| WR17X11890 | SHELF FIXED FZ |
| WR51X10038 | HEATER CONDUCTION AFTERMARKET |
| WR09X20002 | CONTROL TEMP AFTERMARKET |
| WR02X10098 | REFRIGERATOR GROMMET |
| WR60X10204 | BLADE EVAP FAN ASM. |
| WR02X12008 | GROMMET EVAP FAN |
| WR02X20092 | DUCT FOAM |
| WR17X12852 | HOUSING CONTROL |
| WR17X11662 | COVER VEG PAN |
| WR32X1455 | PAN VEG TWIN LOW |
| WR24X10228 | GASKET DOOR FZ AFTERMARKET |
| WR17X11889 | SHELF FIXED FF |
| WR60X23584 | MOTOR AC/DC AFTERMARKET |
| WR12X10965 | HANDLE DOOR FF |
| WR02X13355 | KNOB CONTROL |
| WR24X10236 | GASKET |
| WR55X24064 | REFRIGERATOR CAPACITOR |

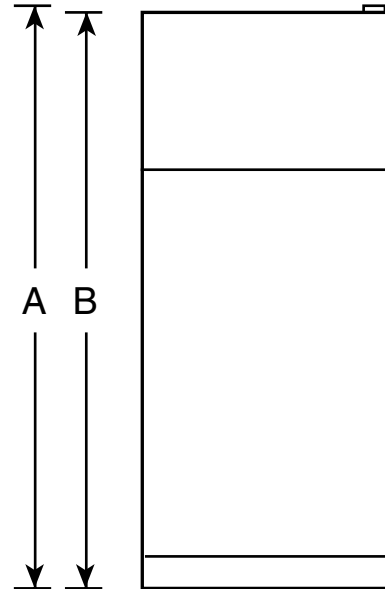
HTH18EBD

Hotpoint ENERGY STAR® 18.1 Cu. Ft. Top-Freezer Refrigerator

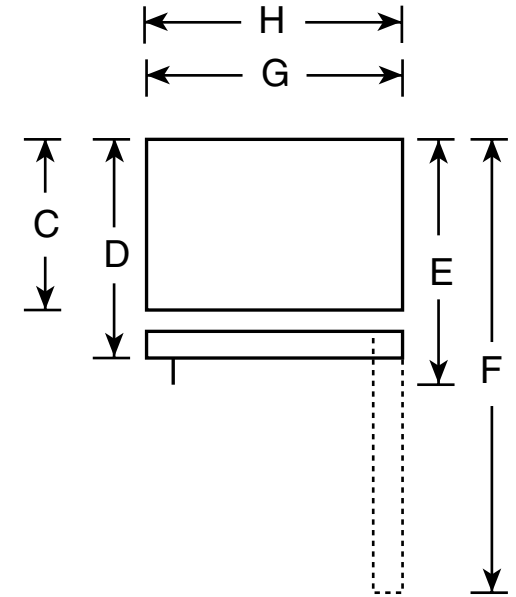
Dimensions and Installation Information (in inches)

| | | |
|--------------------|--|--------|
| Overall Dimensions | Height to top of hinge (in.) A | 67-3/8 |
| | Height to top of case (in.) B | 66-7/8 |
| | Case depth without door (in.) C | 26-3/4 |
| | Case depth less door handle (in.) D | 30-1/2 |
| | Case depth with door handle (in.) E | 32-3/8 |
| | Depth with fresh food door open 90° (in.) F | 56-3/8 |
| | Width (in.) G | 28 |
| | Width with door open 90° with door handle (in.) H | 30-3/4 |
| Air Clearances | Each side (in.) | 3/4 |
| | Top (in.) | 1 |
| | Back (in.) | 2 |

Front View



Top View



For answers to your Monogram®, GE Profile™ or GE® appliance questions, visit our website at geappliances.com or call GE Answer Center® service, 800.626.2000.



imagination at work



Total volume and shelf area are calculated by the Association of Home Appliance Manufacturers' standards.



Listed by Underwriters Laboratories



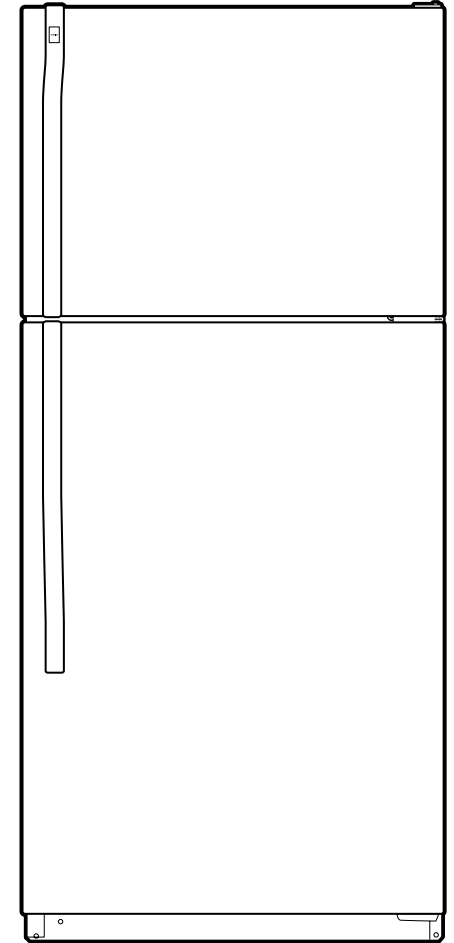
As an ENERGY STAR® partner, GE has determined that this product meets the ENERGY STAR guidelines for energy efficiency.

HTH18EBD

Hotpoint ENERGY STAR® 18.1 Cu. Ft. Top-Freezer Refrigerator

Features and Benefits

- Upfront temperature controls - A simple knob turn regulates interior temperatures with ease
- Equipped for optional icemaker - Comes complete with the necessary components to include an icemaker
- Adjustable spill-resistant glass shelves - Shelves are designed to keep spills from creating bigger messes
- Fixed gallon door shelves - Provides the ideal space for storing gallon containers in the door
- Can storage door shelf - Holds soft drink cans in the door for easy selection and quick access
- Crisper drawers - Provides the ideal environment for storing your fruits and vegetables
- Snack drawer - Conveniently stores favorite foods and allows for quick, easy access
- Deluxe quiet design - Significantly reduces unnecessary operating noise in the kitchen
- NeverClean™ condenser - Sealed compartment keeps coils clean and simplifies maintenance
- Model HTH18EBDWW - White
- Model HTH18EBDCC - Bisque



imagination at work



As an ENERGY STAR® partner, GE has determined that this product meets the ENERGY STAR guidelines for energy efficiency.