



Amana[®]

PORTABLE AIR CONDITIONER

Use & Care Guide

For questions about features, operation/performance, parts or service, call: 1-888-842-2440

In Canada, call for assistance, installation and service, call: 1-888-842-2440

ACONDICIONADOR DE AIRE PORTÁTIL

Manual de uso y cuidado

Si tiene preguntas respecto a las características, funcionamiento, rendimiento, partes o servicio técnico, llame al: 1-888-842-2440

CLIMATISEUR PORTATIF

Guide d'utilisation et d'entretien

Au Canada, pour assistance, installation ou service, composez le 1-888-842-2440

Table of Contents/Índice/Table des matières 2

Models/Modelos/Modèles: APN10J, APN12J, APN12HJ

TABLE OF CONTENTS

AIR CONDITIONER SAFETY	3	Changing Air Direction	11
INSTALLATION REQUIREMENTS	3	Normal Sounds.....	12
Tools and Parts	3	PORTABLE AIR CONDITIONER CARE	12
Location Requirements	4	Draining the Air Conditioner	12
Electrical Requirements	4	Cleaning the Air Filter	12
INSTALLATION INSTRUCTIONS	5	Cleaning the Outside.....	13
Unpack the Air Conditioner.....	5	Storing After Use	13
Install Portable Air Conditioner	5	TROUBLESHOOTING	13
Complete Installation	7	ASSISTANCE OR SERVICE	14
PORTABLE AIR CONDITIONER USE	8	In the U.S.A.	14
Starting Your Portable Air Conditioner	8	In Canada	15
Using the MAGNASTORE Remote Control	10	WARRANTY	15

ÍNDICE

SEGURIDAD DEL ACONDICIONADOR DE AIRE	16	Cómo cambiar la dirección de aire	24
REQUISITOS DE INSTALACIÓN	16	Sonidos normales.....	25
Herramientas y piezas.....	16	CÓMO CUIDAR SU ACONDICIONADOR DE AIRE	
Requisitos de ubicación.....	17	PORTÁTIL	25
Requisitos eléctricos.....	17	Desagüe del acondicionador de aire	25
INSTRUCCIONES DE INSTALACIÓN	18	Limpieza del filtro de aire	26
Desempaque el acondicionador de aire.....	18	Limpieza del exterior	26
Instalación del acondicionador de aire portátil.....	18	Almacenamiento después del uso	26
Complete la instalación.....	20	SOLUCIÓN DE PROBLEMAS	27
CÓMO USAR SU ACONDICIONADOR DE AIRE PORTÁTIL	21	AYUDA O SERVICIO TÉCNICO	28
Cómo poner en marcha su acondicionador de aire portátil	21	En los EE.UU.	28
Cómo usar el MAGNASTORE control remoto.....	23	GARANTÍA	29

TABLE DES MATIÈRES

SÉCURITÉ DU CLIMATISEUR	30	Changement de direction de l'air.....	38
EXIGENCES D'INSTALLATION	30	Sons normaux	39
Outils et pièces.....	30	ENTRETIEN DU CLIMATISEUR PORTATIF	39
Exigences d'emplacement.....	31	Vidange du climatiseur	39
Spécifications électriques	31	Nettoyage du filtre à air	39
INSTRUCTIONS D'INSTALLATION	32	Nettoyage de la partie extérieure.....	40
Déballage du climatiseur.....	32	Remisage après utilisation	40
Installation du climatiseur portatif	32	DÉPANNAGE	40
Achever l'installation	34	ASSISTANCE OU SERVICE	42
UTILISATION DU CLIMATISEUR PORTATIF	35	Aux États-Unis.....	42
Mise en marche du climatiseur portatif	35	Au Canada.....	42
Utilisation de la télécommande MAGNASTORE	37	GARANTIE	43

AIR CONDITIONER SAFETY

Your safety and the safety of others are very important.

We have provided many important safety messages in this manual and on your appliance. Always read and obey all safety messages.



This is the safety alert symbol.

This symbol alerts you to potential hazards that can kill or hurt you and others.

All safety messages will follow the safety alert symbol and either the word "DANGER" or "WARNING."

These words mean:

⚠ DANGER

You can be killed or seriously injured if you don't immediately follow instructions.

⚠ WARNING

You can be killed or seriously injured if you don't follow instructions.

All safety messages will tell you what the potential hazard is, tell you how to reduce the chance of injury, and tell you what can happen if the instructions are not followed.

IMPORTANT SAFETY INSTRUCTIONS

WARNING: To reduce the risk of fire, electrical shock or injury when using your air conditioner, follow these basic precautions:

- Plug into a grounded 3 prong outlet.
- Do not use an extension cord.
- Do not remove ground prong.
- Unplug air conditioner before servicing.
- Do not use an adapter.
- Use two or more people to move and install air conditioner.

SAVE THESE INSTRUCTIONS

INSTALLATION REQUIREMENTS

Tools and Parts

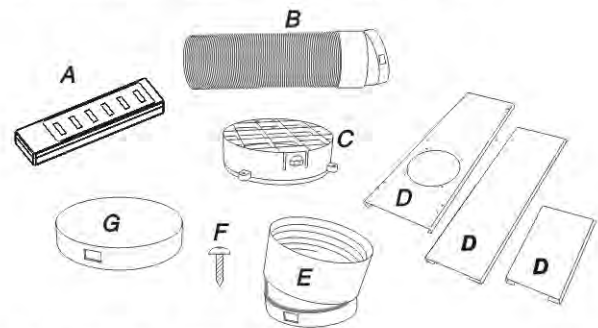
Gather the required tools and parts before starting installation. Read and follow the instructions provided with any tools listed here.

Tools needed

- Phillips screwdrivers
- Scissors
- Saw
- Tape measure
- Pencil

Parts supplied

Check that all parts are included in parts package.



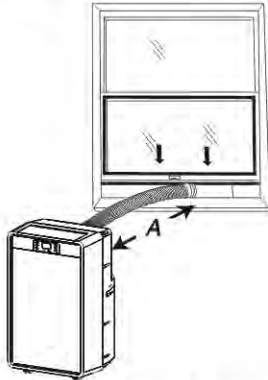
- A. MAGNASTORE remote control
 - B. Flexible hoses (1)
 - C. Adapter screens (1)
 - D. Window slider kit (3)
 - E. Adapters (2)
 - F. Phillips-head screws (4)
 - G. Adapter screen covers (1)
- From 20"(50.5cm) up to 46"(116.8cm)

Location Requirements

NOTES:

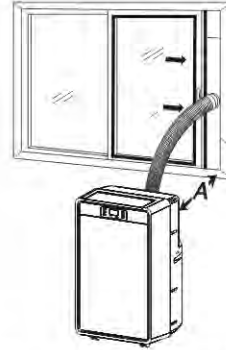
- The flexible exhaust hose allows placement of the air conditioner between 22" and 58" (55.9 cm and 147.2 cm) from window or door.
- Portable air conditioners are designed as supplemental cooling to local areas within a room.

Vertical Slide Window



A. 22" to 58" (55.9 cm to 147.2 cm)

Horizontal Slide Window



A. 22" to 58" (55.9 cm to 147.2 cm)

- To ensure proper ventilation, keep the required distance from the return air outlet to the wall or other obstacles at least 22" (55.9 cm).
- Do not block air outlet.
- Provide easy access to grounded 3 prong outlet.

Electrical Requirements

⚠ WARNING



Electrical Shock Hazard

Plug into a grounded 3 prong outlet.

Do not remove ground prong.

Do not use an adapter.

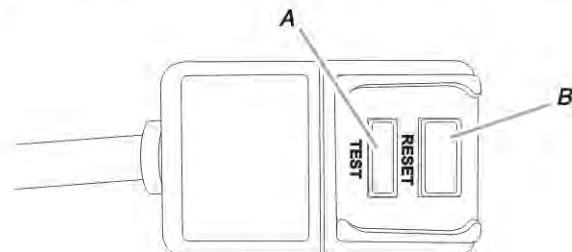
Do not use an extension cord.

Failure to follow these instructions can result in death, fire, or electrical shock.

- The portable air conditioner should be connected to a 115 V, 60 Hz, 15-amp fused grounded 3 prong outlet.
- The use of a time-delay fuse or time-delay circuit breaker is recommended.
- All wiring must comply with local and national electrical codes and be installed by a qualified electrician. If you have any questions, contact a qualified electrician.

Power Supply Cord

NOTE: Your air conditioner's device may differ from the one shown.



A. Test button
B. Reset button

This room air conditioner is equipped with a power supply cord required by UL. This power supply cord contains state-of-the-art electronics that sense leakage current. If the cord is crushed, the electronics detect leakage current and power will be disconnected in a fraction of a second.

⚠ WARNING



Electrical Shock Hazard

Plug into a grounded 3 prong outlet.

Do not remove ground prong.

Do not use an adapter.

Do not use an extension cord.

Failure to follow these instructions can result in death, fire, or electrical shock.

To test your power supply cord:

1. Plug power supply cord into a grounded 3 prong outlet.

2. Press RESET.
3. Press TEST (listen for click; Reset button will trip and pop out).
4. Press and release RESET (listen for click; Reset button will latch and remain in). The power supply cord is ready for operation.

NOTES:

- The Reset button must be pushed in for proper operation.
- The power supply cord must be replaced if it fails to trip when the test button is pressed or fails to reset.
- Do not use the power supply cord as an off/on switch. The power supply cord is designed as a protective device.
- A damaged power supply cord must be replaced with a new power supply cord obtained from the product manufacturer and must not be repaired.
- The power supply cord contains no user serviceable parts. Opening the tamper-resistant case voids all warranty and performance claims.

INSTALLATION INSTRUCTIONS

Unpack the Air Conditioner

⚠ WARNING

Excessive Weight Hazard

Use two or more people to move and install air conditioner.

Failure to do so can result in back or other injury.

- Do not use sharp instruments, rubbing alcohol, flammable fluids, or abrasive cleaners to remove tape or glue. These products can damage the surface of your air conditioner.

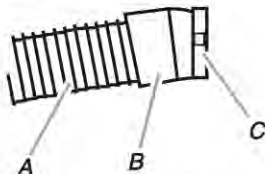
Remove packaging materials

- Remove and dispose of/recycle packaging materials. Remove tape and glue residue from surfaces before turning on the air conditioner. Rub a small amount of liquid dish soap over the adhesive with your fingers. Wipe with warm water and dry.

Install Portable Air Conditioner

Install Exhaust Hoses and Adapters

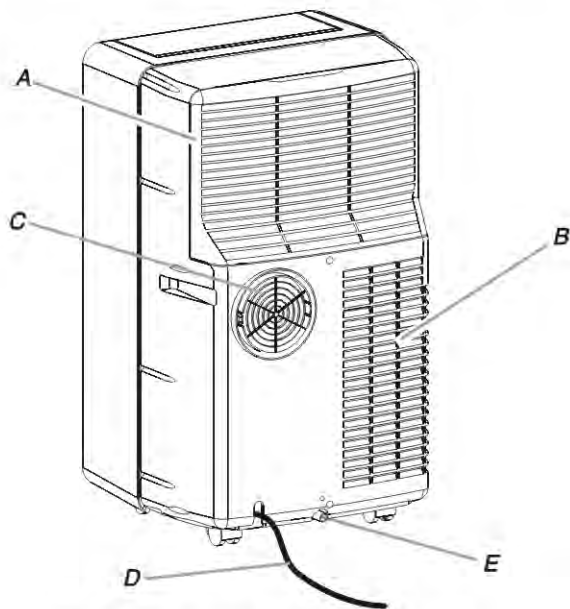
1. Roll the air conditioner to the selected location. See "Location Requirements."
2. Attach one adapter to each of the flexible hoses. Turn clockwise to lock into place.
NOTE: The adapters should be installed so the adapter tabs are horizontally at the sides of the adapter or vertically at the top and bottom of the adapter.
3. Insert one of the flexible hoses into the intake port on the back of the portable air conditioner.
4. Push down and snap to lock the flexible hose into place.
5. Insert the second flexible hose into the exhaust port on the back of the portable air conditioner.



A. Flexible hose
B. Adapter

C. Adapter tab, horizontally at the sides of the adapter

- Push down and snap to lock the flexible hose into place.



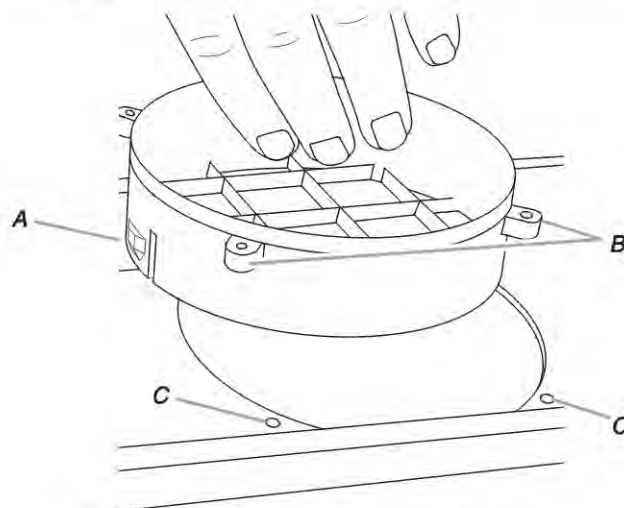
A. Evaporator air intake D. Power supply
 B. Intake air hose E. Drain port
 C. Exhaust air hose

Install Window Slider Kit

Your window slider kit has been designed to fit most standard vertical and horizontal window applications. However, it may be necessary for you to modify some aspects of the installation procedures for certain types of windows.

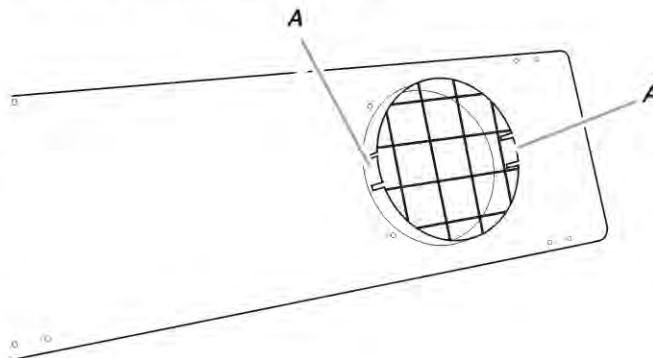
- Remove the 4 screws from the window slider kit for either the vertical or horizontal installation. Retain the screws for later use.
- Remove the adapter screen covers from the adapter screens by twisting in either direction. Store adapter screen covers for later use. See "Storing After Use" in "Portable Air Conditioner Care."
- Insert the adapter screens into the window slider kit.

- Align the screw hole tabs with the screw holes in the window slider kit.



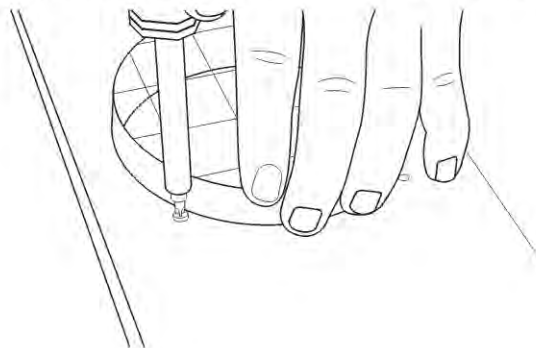
A. Adapter tab on adapter screen C. Screw holes in window slider kit
 B. Screw holes in adapter screen

- Be sure the adapter tabs on the adapter screens will align with the adapter tabs on the adapter.

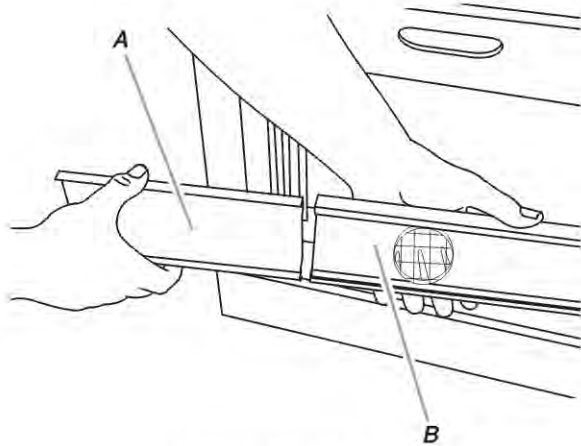


A. Adapter tab on adapter screen installed horizontally

- Attach the adapter screens to the window slider kit with the 4 screws provided. See "Parts Supplied" in "Tools and Parts."

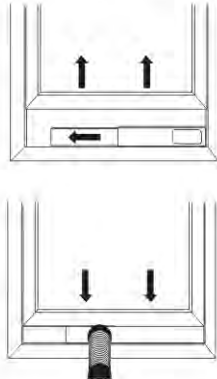


7. Open the window.
8. Measure the window opening.
 - If the window opening is too narrow for the window slider kit, remove the inner slider section from the window slider kit.

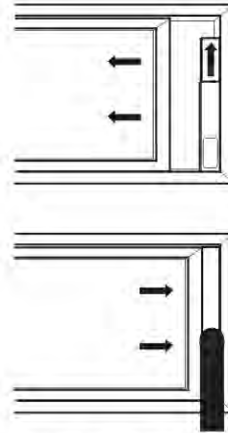


A. Inner slider section
B. Outer slider section

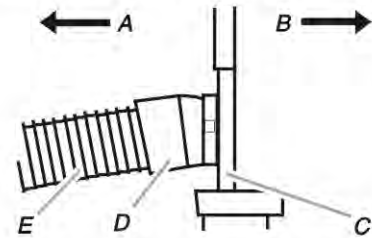
- Using a saw, cut the inner slider section to fit the window opening.
 - Slide the inner slider section into the window slider kit.
9. Push the adapter hoses into the adapter screens in the window slider kit until they snap and lock into place.
 10. Place the window slider kit into the window, extending it to fit the width of the window.
 11. Reinsert the 4 screws removed earlier to secure the inner slider sections to the outer slider section.



NOTE: For casement window installation, the window slider kit may be installed vertically.



12. Close the window onto the window slider kit to secure.



A. To portable air conditioner
B. Outdoors
C. Window slider kit
D. Adapter
E. Flexible hose

Complete Installation

⚠ WARNING



Electrical Shock Hazard

Plug into a grounded 3 prong outlet.

Do not remove ground prong.

Do not use an adapter.

Do not use an extension cord.

Failure to follow these instructions can result in death, fire, or electrical shock.

1. Plug into a grounded 3 prong outlet.
2. Press RESET on the power supply cord. See "Electrical Requirements."

PORTABLE AIR CONDITIONER USE

Operating your portable air conditioner properly helps you to obtain the best possible results.

This section explains proper portable air conditioner operation.

IMPORTANT:

- The air conditioner display shows the current room temperature.
- When changing modes while the air conditioner is operating, the compressor will stop for 3 to 5 minutes before restarting.

If a button is pressed during this time, the compressor will not restart for another 3 to 5 minutes.

- In Cooling or Dehumidify mode, the compressor and condenser fan will stop when the room temperature reaches the set temperature.

NOTE: In the event of a power failure, your air conditioner will operate at the previous settings when the power is restored.

Starting Your Portable Air Conditioner



1. Select the mode. See "Mode."
2. Select the fan speed. See "Fan Speed."
3. Set the temperature. See "Temperature."
4. Press the Power button to start the air conditioner.



5. When STOP indicator light turns on, the internal water tank has filled with condensed water and the air conditioner will turn off automatically. See "Portable Air Conditioner Care" for directions on draining the air conditioner.



Mode

1. Press the Mode button until you see the symbol turn on for the desired setting.
2. Choose Cooling, Dehumidify, Fan Only or Heating (APN12HJ only)
 - Cooling—Cools the room. Press the Fan Speed button to select High, Medium or Low speed. Press the plus or minus button to adjust the temperature.



- Dehumidify—Dries the room. The air conditioner automatically selects the temperature. Press the Fan Speed button to select High, Medium or Low speed.

NOTES:

- Dehumidify mode should not be used to cool the room.
- To return the warm, dehumidified air to the room, do not install exhaust air hose.
- If room temperature is 77°F (25°C) or lower, the fan speed cannot be adjusted. The fan runs on Low speed only.



- Fan Only—Only the fan runs. Press the Fan Speed button to select High, Medium or Low.

NOTE: The exhaust air hose does not need to be connected.



- Heating Mode - Mode APN12HJ Only.

- In heating mode, the air flow is selectable. (Note: Heating is activated only when the ambient temperature is below 80°F.)



Fan Speed

1. Press the Fan Speed button to choose the desired fan speed.



2. Choose High, Medium or Low.
 - High—for maximum cooling



- Medium—for normal cooling



- Low—for minimum cooling



Temperature

- Press the plus button to raise the temperature.



- Press the minus button to lower the temperature.



NOTES:

- In Fan Only and Dehumidify modes, the temperature cannot be set.

Timer Delay

To set the Timer for a 1- to 24-hour delay until the air conditioner turns off (the air conditioner must be On):

1. Press the Timer button.



2. Press the plus or minus button to change the delay time from 1 to 24 hours.
3. The delay time will display.



To set the Timer for a 1- to 24-hour delay until the air conditioner turns on:

1. Turn off air conditioner.
2. Press the Timer button.
3. Press the plus or minus button to change the delay time from 1 to 24 hours.
4. The delay time will display.

To clear Timer Delay program:

NOTE: Air conditioner can be either on or off.

1. Press the Timer button.
2. Press and hold the minus button until the timer display has cleared.

To change the remaining time (in hours):

1. Press the Timer button.
2. Press the plus or minus button to change the delay time from 1 to 24 hours.
3. The new delay time will display.

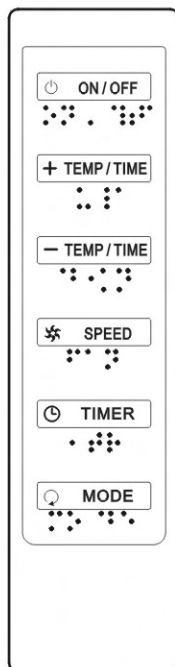
NOTES:

- In Fan Only and Dehumidify modes, the temperature cannot be set.
- To change the temperature display from °C, press the +/- button.

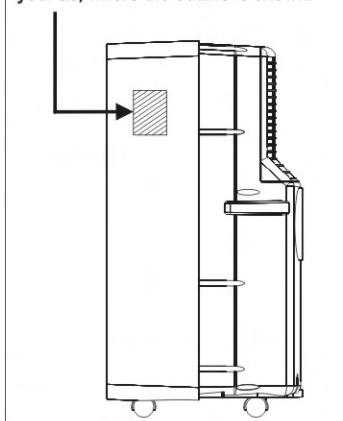


Using the MAGNASTORE remote control*

NOTE: MAGNASTORE remote control may vary in appearance.



MAGNASTORE Remote Control attaches magnetically to the Side of your ac, where the outline is shown.

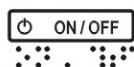


NOTES:

- Two AAA batteries (included) power the MAGNASTORE remote control. Replace batteries after 6 months of use, or when the MAGNASTORE remote control starts to lose power.
- To operate the air conditioner with the MAGNASTORE remote control, aim the MAGNASTORE remote control at the signal receptor from no more than 23ft (7 m) away.

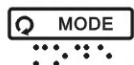
Power On or Off

Press the Power button.



Mode

1. Press the Mode button until you see the symbol turn on for the desired setting.



2. Choose Cooling, Dehumidify, Fan Only or Heating (APN12HJ only.)
 - Cooling—Cools the room. Press the Fan Speed button to select High, Medium or Low. Press the up or down arrow button to adjust the temperature.



- Dehumidify—Dries the room. The air conditioner automatically selects the temperature. Press the Fan Speed button to select High, Medium or Low speed.

NOTES:

- Dehumidify mode should not be used to cool the room.
- To return the warm, dehumidified air to the room, do not install exhaust air hose.
- If room temperature is 77°F (25°C) or lower, the fan speed cannot be adjusted. The fan runs on Low speed only.



- Fan Only—Only the fan runs. Press the Fan Speed button to select High, Medium or Low.

NOTE: The exhaust air hose does not need to be connected.

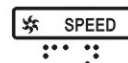


- Heating Mode - Mode APN12HJ Only.
 - In heating mode, the air flow is selectable. (Note: Heating is activated only when the ambient temperature is below 80°F.)



Fan Speed

1. Press the Fan Speed button until you see the symbol turn on for the desired setting.



2. Choose High, Medium or Low.
 - High—for maximum cooling



- Medium—for normal cooling

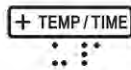


- Low—for minimum cooling

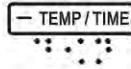


Temperature

- Press the up arrow button to raise the temperature.



- Press the down arrow button to lower the temperature.



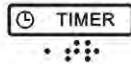
NOTES:

- In Fan Only and Dehumidify modes, the temperature cannot be set.

Timer Delay

To set the Timer for a 1- to 24-hour delay until the air conditioner turns off (the air conditioner must be On):

1. Press the Timer button.



2. Press the plus or minus button to change the delay time from 1 to 24 hours.
3. The delay time will display.



To set the Timer for a 1- to 24-hour delay before until the air conditioner turns on:

1. Turn off the air conditioner.
2. Press the Timer button.
3. Press the plus or minus button to change the delay time from 1 to 24 hours.
4. The delay time will display.

To clear Timer Delay program:

NOTE: Air conditioner can be either on or off.

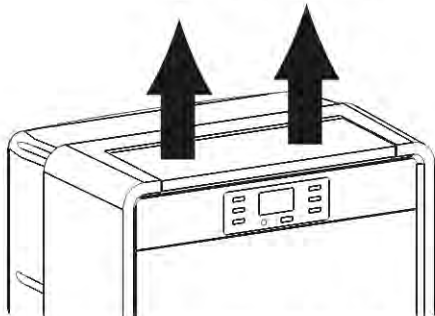
1. Press the Timer button.
2. Press and hold the minus button until the Timer display has cleared.

To change the remaining time (in hours):

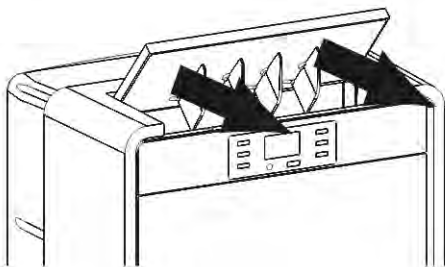
1. Press the Timer button.
2. Press the plus or minus button to change the delay time from 1 to 24 hours.
3. The new delay time will display.

Changing Air Direction

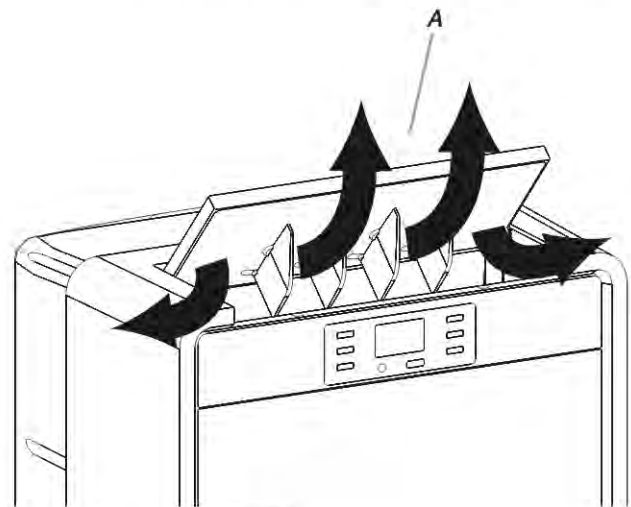
Use the manual air direction control on top of the portable air conditioner to select the airflow direction. Choose the down position to direct airflow straight up into the room.



Rotate the louvers up one position to direct the airflow horizontally into the room.



Rotate the louvers to the fully open position to direct the airflow horizontally and vertically into the room. Use the tab to adjust the airflow left to right.



A. Tab

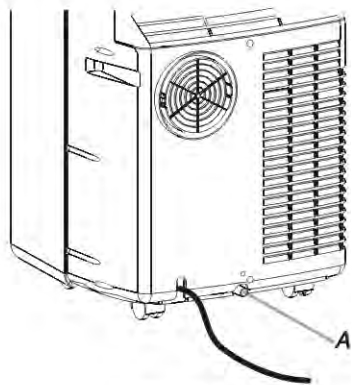
Normal Sounds

When your air conditioner is operating normally, you may hear sounds such as:

- Air movement from the fan.
- Clicks from the thermostat cycle.
- Vibrations or noise due to poor wall or window construction.
- A high-pitched hum or pulsating noise caused by the modern high-efficiency compressor cycling on and off.

PORTABLE AIR CONDITIONER CARE

Draining the Air Conditioner



A. Drain plug

⚠ WARNING

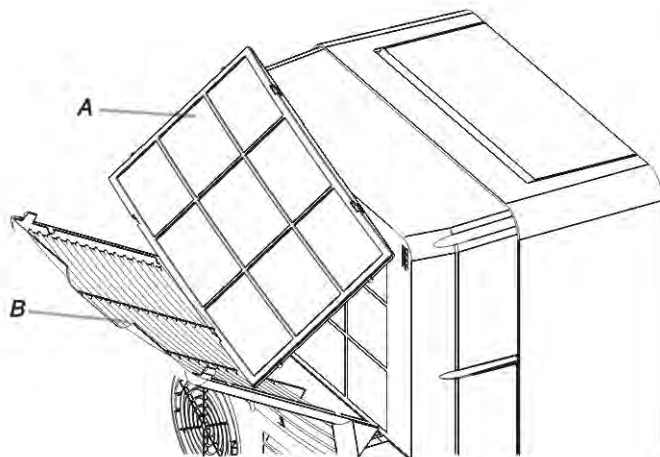
Excessive Weight Hazard

Use two or more people to move and install air conditioner.

Failure to do so can result in back or other injury.

1. Press the Power button to turn off the air conditioner.
2. Unplug air conditioner or disconnect power.
3. Move the air conditioner to a drain location or outside.
4. Remove the rubber drain plug and allow water to drain from the air conditioner.
5. Reinstall the drain plug.
6. Reposition the air conditioner.
7. Plug in air conditioner or reconnect power.
8. Press the Power button to start the air conditioner.

Cleaning the Air Filter



A. Air filter
B. Filter panel

1. Press the power button to turn off the air conditioner.
2. Open the filter panel on the back of the air conditioner and remove the air filter.
3. Use a vacuum cleaner to clean the air filter. If the air filter is very dirty, wash the air filter in warm water with a mild detergent.
NOTE: Do not wash the air filter in the dishwasher or use any chemical cleaners.
4. Air dry the air filter completely before replacing to ensure maximum efficiency.
5. Replace the air filter by aligning the tabs on the air filter with the slots at the bottom of the filter panel.
6. Close the filter panel.
7. Press the power button to start the air conditioner.

Cleaning the Outside

1. Unplug air conditioner or disconnect power.
2. Remove the air filter and clean separately. See "Cleaning the Air Filter."
3. Wipe the outside of the air conditioner with a soft, damp cloth.
4. Plug in air conditioner or reconnect power.
5. Press the Power button to start the air conditioner.

Storing After Use


1. Remove the drain plug and drain water completely.
2. Run the air conditioner with the fan only for approximately 12 hours to dry the air conditioner.
3. Unplug the air conditioner.
4. Remove the flexible intake and exhaust air hoses and store with the air conditioner in a clean, dry area. See "Installation Instructions."
5. To store the window slider kit in the window, install the adapter screen covers over the adapter screens. See "Parts Supplied" in "Tools and Parts."
6. To store window slider kit with air conditioner in a clean, dry area, remove the window slider kit from the window. See "Installation Instructions."
7. Remove the air filter and clean. See "Cleaning the Air Filter."
8. Clean the outside of the air conditioner. See "Cleaning the Outside."
9. Reinstall the air filter.
10. Remove the batteries from the remote control.
11. Store the remote control with the air conditioner in a clean, dry area.

TROUBLESHOOTING

Before calling for service, try the suggestions below to see whether you can solve your problem without outside help.

Air conditioner will not operate

⚠ WARNING



Electrical Shock Hazard

Plug into a grounded 3 prong outlet.

Do not remove ground prong.

Do not use an adapter.

Do not use an extension cord.

Failure to follow these instructions can result in death, fire, or electrical shock.

- **The power supply cord is unplugged.** Plug into a grounded 3 prong outlet. See "Electrical Requirements."
- **Time-delay fuse or circuit breaker of the wrong capacity is being used.** Replace with a time-delay fuse or circuit breaker of the correct capacity. See "Electrical Requirements."
- **The power supply cord has tripped (Reset button has popped out).** Press and release RESET (listen for click; Reset button will latch and remain in) to resume operation.
- **A household fuse has blown, or a circuit breaker has tripped.** Replace the fuse, or reset the circuit breaker. See "Electrical Requirements."
- **The Power button has not been pressed.** Press POWER.
- **The local power has failed.** Wait for power to be restored.

Air conditioner blows fuses or trips circuit breakers

- **Too many appliances are being used on the same circuit.** Unplug or relocate appliances that share the same circuit.
- **You are trying to restart the air conditioner too soon after turning off air conditioner.** Wait at least 3 minutes after turning off air conditioner before trying to restart the air conditioner.
- **You have changed modes.** Wait at least 3 minutes after turning off air conditioner before trying to restart the air conditioner.

Air conditioner power supply cord trips (Reset button pops out)

- **Disturbances in your electrical current can trip (Reset button will pop out) the power supply cord.** Press and release RESET (listen for click; Reset button will latch and remain in) to resume operation.
- **Electrical overloading, overheating, cord pinching or aging can trip (Reset button will pop out) the power supply cord.** After correcting the problem, press and release RESET (listen for click; Reset button will latch and remain in) to resume operation. If the power cord fails to reset, contact a service technician.

NOTE: A damaged power supply cord must be replaced with a new power supply cord obtained from the product manufacturer and must not be repaired.

Air conditioner seems to run too much

- **Is there a door or window open?** Keep doors and windows closed.
- **The current air conditioner replaced an older model.** The use of more efficient components may cause the air conditioner to run longer than an older model, but the total energy consumption will be less. Newer air conditioners do not emit the "blast" of cold air you may be accustomed to from older units, but this is not an indication of lesser cooling capacity or efficiency. Refer to the efficiency rating (EER) and capacity rating (in Btu/h) marked on the air conditioner.
- **The air conditioner is in a heavily occupied room, or heat-producing appliances are in use in the room.** Use exhaust vent fans while cooking or bathing and try not to use heat-producing appliances during the hottest part of the day. Portable air conditioners are designed as supplemental cooling to local areas within a room. A higher capacity air conditioner may be required, depending on the size of the room being cooled.

Air conditioner runs for a short time only, but room is not cool

- **Set temperature is close to room temperature.** Lower set temperature. See "Portable Air Conditioner Use."

Air conditioner runs, but does not cool

- **The filter is dirty or obstructed by debris.** Clean the filter.
- **Air outlet is blocked.** Clear air outlet.
- **Set temperature is too high.** Lower set temperature.

Air conditioner cycles on and off too much

- **The air conditioner is not properly sized for your room.** Check the cooling capabilities of your portable air conditioner. Portable air conditioners are designed as supplemental cooling to local areas within a room.
- **The filter is dirty or obstructed by debris.** Clean the filter.
- **There is excessive heat or moisture (open container cooking, showers, etc.) in the room.** Use a fan to exhaust heat or moisture from the room. Try not to use heat-producing appliances during the hottest part of the day.
- **The louvers are blocked.** Install the air conditioner in a location where the louvers are free from curtains, blinds, furniture, etc.
- **The outside temperature is below 64°F (18°C).** Do not try to operate your air conditioner in the cooling mode when the outside temperature is below 64°F (18°C).

ASSISTANCE OR SERVICE

Before calling for assistance or service, please check "Troubleshooting." It may save you the cost of a service call. If you still need help, follow the instructions below.

When calling, please know the purchase date and the complete model and serial number of your appliance. This information will help us to better respond to your request.

If you need replacement parts

If you need to order replacement parts, we recommend that you use only factory-specified replacement parts. Factory-specified replacement parts will fit right and work right because they are made with the same precision used to build every new appliance.

To locate factory-specified replacement parts in your area, call your nearest manufacturer-authorized Service Depot.

Please record your model's information.

Whenever you call to request service on your appliance, you need to know your complete model number and serial number.

You can find this information on the model and serial number label. The model and serial number label is located on the cabinet.

Please record the model and serial number information below. Also, record the purchase date of your appliance and the store's name, address, and telephone number.

Model Number _____

Serial Number _____

Purchase Date _____

Store Name _____

Store Address _____

Store Phone _____

Keep this book and the sales slip together for future reference.

In the U.S.A.

Call our Customer Affairs Department toll free: **1-888-842-2440**.

Our consultants provide assistance with:

- Features and specifications on our appliances.
- Installation information.
- Use and maintenance procedures.
- Repair parts sales.
- Referrals to repair parts distributors and service companies. manufacturer-authorized service technicians are trained to fulfill the product warranty and provide after-warranty service, anywhere in the United States.

For further assistance

If you need further assistance, you can write with any questions or concerns to:

Haier America
1356 Broadway
New York, NY 10018

Please include a daytime phone number in your correspondence.

In Canada

Call our Customer Affairs Department toll free: **1-888-842-2440**.

Our consultants provide assistance with:

- Features and specifications on our appliances.
- Use and maintenance procedures.
- Repair parts sales.
- Referrals to repair parts distributors and service companies. manufacturer-authorized service technicians are trained to fulfill the product warranty and provide after-warranty service, anywhere in Canada.

For further assistance

If you need further assistance, you can write with any questions or concerns to:

Haier America
1356 Broadway
New York, NY 10018
U.S.A.

Please include a daytime phone number in your correspondence.

LIMITED WARRANTY

ONE YEAR LIMITED WARRANTY

This warranty covers all defects in workmanship or material for the mechanical and electrical parts (including labor costs) contained in this product for a period of 12 months from the date of purchase. For commercial or rental application, the warranty is 90 days. You must keep and be able to provide your original sales receipt as proof of the date of purchase.

FIVE YEAR LIMITED WARRANTY ON THE SEALED SYSTEM

The sealed system and compressor contained in this product is for a period of 5 years from the date of purchase (excluding labor costs after the initial 12-month period). In commercial or rental use, the additional limited compressor warranty is for 1 year and 9 months (excluding labor costs after the initial 90 days period). You must keep and be able to provide your original sales receipt as proof of the date of purchase.

WHO IS COVERED

The original retail purchaser of this product.

WHAT WILL BE DONE

Haier America will repair or replace any mechanical, electrical part or the compressor, which proves defective in normal household use for a period of 12 months. Haier America will repair or replace (excluding labor costs) the sealed system and compressor (parts only) for a additional 4-year period.

HOW CAN YOU GET SERVICE

Contact your nearest manufacturer-authorized Service Depot. For the name of the Service Depot nearest you, contact Amana Room Air Conditioners at **1-888-842-2440**.

All service must be performed by a manufacturer-authorized Service Depot.

THIS WARRANTY DOES NOT COVER

1. Damages from improper installation.
 2. Damages in shipping.
 3. Damages from misuse, abuse, accident, alteration, lack of proper care and maintenance.
 4. Damages from service by other than an authorized dealer or service center.
 5. Labor, service, transportation and shipping charges for the removal of defective parts and installation of replacement parts beyond the initial 12-month period.
-

THIS LIMITED WARRANTY IS GIVEN IN LIEU OF ALL OTHER WARRANTIES, EXPRESS OR IMPLIED, INCLUDING THE WARRANTIES OF MERCHANTABILITY AND FITNESS FOR A PARTICULAR PURPOSE.

The remedy provided in this warranty is exclusive and is granted in lieu of all other remedies. This warranty does not cover incidental or consequential damages. Some states do not allow the exclusion of incidental or consequential damages, so this limitation may not apply to you. Some states do not allow limitations on how long an implied warranty lasts, so this limitation may not apply to you. This warranty gives you specific legal rights and you may also have other rights which vary from state to state.

This warranty covers units within the United States, its territories and possessions and Canada.

For more information on this and other Amana Room Air products, call Customer Affairs Department at: **1-888-842-2440**.

Amana is a registered trademark of Maytag Corporation or its related companies. Manufactured under license

by Haier America, New York, New York.

1/10

SEGURIDAD DEL ACONDICIONADOR DE AIRE

Su seguridad y la seguridad de los demás es muy importante.

Hemos incluido muchos mensajes importantes de seguridad en este manual y en su electrodoméstico. Lea y obedezca siempre todos los mensajes de seguridad.



Este es el símbolo de advertencia de seguridad.

Este símbolo le llama la atención sobre peligros potenciales que pueden ocasionar la muerte o una lesión a usted y a los demás.

Todos los mensajes de seguridad irán a continuación del símbolo de advertencia de seguridad y de la palabra "PELIGRO" o "ADVERTENCIA". Estas palabras significan:

⚠ PELIGRO

Si no sigue las instrucciones **de inmediato**, usted puede morir o sufrir una lesión grave.

⚠ ADVERTENCIA

Si no sigue las instrucciones, usted puede morir o sufrir una lesión grave.

Todos los mensajes de seguridad le dirán el peligro potencial, le dirán cómo reducir las posibilidades de sufrir una lesión y lo que puede suceder si no se siguen las instrucciones.

INSTRUCCIONES IMPORTANTES DE SEGURIDAD

ADVERTENCIA: Para reducir el riesgo de incendio, choque eléctrico o lesiones personales al usar su acondicionador de aire, siga estas precauciones básicas:

- Conecte a un contacto de pared de conexión a tierra de 3 terminales.
- No quite el terminal de conexión a tierra.
- No use un adaptador.
- No use un cable eléctrico de extensión.
- Desconecte el acondicionador de aire antes de darle servicio.
- Use dos o más personas para mover e instalar el acondicionador de aire.

CONSERVE ESTAS INSTRUCCIONES

REQUISITOS DE INSTALACIÓN

Herramientas y piezas

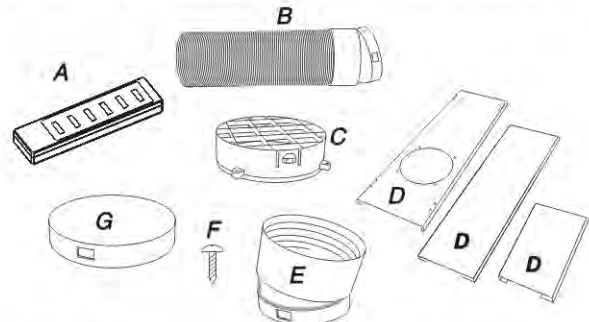
Reúna las herramientas y piezas necesarias antes de comenzar la instalación. Lea y siga las instrucciones provistas con cualquiera de las herramientas enlistadas aquí.

Herramientas necesarias

- Destornilladores Phillips
- Tijeras
- Sierra
- Cinta para medir
- Lápiz

Piezas suministradas

Verifique que estén todas las piezas en el paquete de piezas.



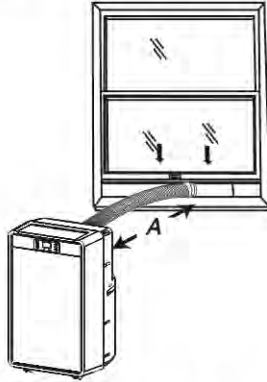
- A. MAGNASTORE remote control
- B. Mangueras de flexibles (1)
- C. Rejillas del adaptador (1)
- D. Juego deslizable para ventana (3)
Desde 20"(50.5cm) hasta 46"(116.8cm)
- E. Adaptadores (2)
- F. Tornillos Phillips (4)
- G. Cubiertas de las rejillas del adaptador (1)

Requisitos de ubicación

NOTAS:

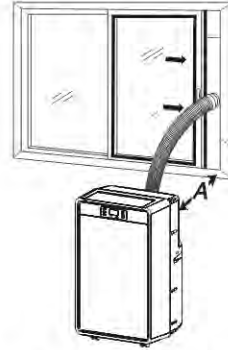
- La manguera de escape flexible permite ubicar el acondicionador de aire entre 22" y 58" (55,9 cm y 147,2 cm) desde la ventana o puerta.
- Los acondicionadores de aire portátiles están diseñados para proporcionar enfriamiento complementario a áreas locales dentro de una habitación.

Ventana deslizante vertical



A. 22" a 58" (55,9 cm a 147,2 cm)

Ventana deslizante horizontal



A. 22" a 58" (55,9 cm a 147,2 cm)

- Para asegurar la adecuada ventilación, mantenga una distancia mínima de 22" (55,9 cm) desde la salida de aire de retorno a la pared u otros obstáculos.
- No bloquee la salida de aire.
- Provea un fácil acceso a un contacto de pared de conexión a tierra de 3 terminales.

Requisitos eléctricos

⚠ ADVERTENCIA



Peligro de Choque Eléctrico

Conecte a un contacto de pared de conexión a tierra de 3 terminales.

No quite la terminal de conexión a tierra.

No use un adaptador.

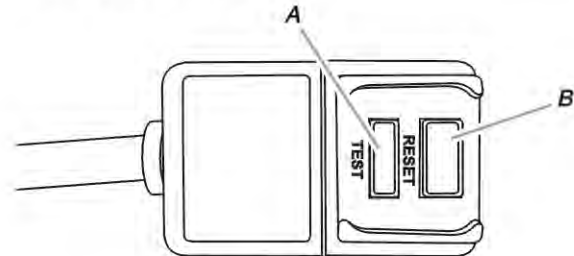
No use un cable eléctrico de extensión.

No seguir estas instrucciones puede ocasionar la muerte, incendio o choque eléctrico.

- El acondicionador de aire portátil deberá conectarse en un contacto de conexión a tierra de 3 terminales, de 115 Voltios, 60 Hz, de 15 amperios con fusibles.
- Se recomienda utilizar un fusible o un cortacircuitos retardador.
- Todas las instalaciones eléctricas deberán cumplir con los códigos eléctricos nacionales y locales y deberán ser hechas por un instalador eléctrico calificado. En caso de dudas, póngase en contacto con un electricista calificado.

Cable de suministro de energía

NOTA: El dispositivo de su acondicionador de aire puede ser diferente del que se ilustra.



A. Botón de prueba
B. Botón de reposición

Este acondicionador de aire para habitación está equipado con un cable de suministro de energía según lo exige UL. Este cable de suministro de energía incluye circuitos electrónicos de última generación que detectan la corriente de fuga. Si se aplasta el cable, el elemento electrónico detecta la corriente de fuga y la energía se desconecta en una fracción de segundo.

⚠ ADVERTENCIA



Peligro de Choque Eléctrico

Conecte a un contacto de pared de conexión a tierra de 3 terminales.

No quite la terminal de conexión a tierra.

No use un adaptador.

No use un cable eléctrico de extensión.

No seguir estas instrucciones puede ocasionar la muerte, incendio o choque eléctrico.

Para poner a prueba el cable de suministro de energía:

1. Enchufe el cable de suministro de energía en un tomacorriente de 3 terminales con conexión a tierra.
2. Presione RESET (Reposición).

3. Presione TEST (Prueba) (escuche el chasquido, el botón de reposición se dispara y salta).
4. Presione y suelte RESET (escuche el chasquido, el botón de reposición queda asegurado y se mantiene asegurado). El cable de suministro de energía está listo para su funcionamiento.

NOTAS:

- El botón de reposición debe presionarse para el funcionamiento adecuado.
- El cable de suministro de energía debe ser reemplazado si no se dispara cuando se presione el botón de prueba o cuando falle la reposición.
- No use el cable de suministro de energía como un interruptor de encendido y apagado. El cable de suministro de energía ha sido diseñado como un dispositivo protector.
- Un cable de suministro de energía dañado debe ser reemplazado por un nuevo cable de suministro de energía obtenido del fabricante del producto y no debe ser reparado.
- El cable de suministro de energía no contiene piezas que pueda arreglar el usuario. Todos los reclamos de desempeño y la garantía quedarán anulados si se abre el estuche resistente a alteraciones.

INSTRUCCIONES DE INSTALACIÓN

Desempaque el acondicionador de aire

⚠ ADVERTENCIA

Peligro de Peso Excesivo

Use dos o más personas para mover e instalar el acondicionador de aire.

No seguir esta instrucción puede ocasionar una lesión en la espalda u otro tipo de lesiones.

- No use instrumentos filosos, alcohol para fricciones, líquidos inflamables o productos de limpieza abrasivos para eliminar los restos de cinta o goma. Estos productos pueden dañar la superficie de su acondicionador de aire.

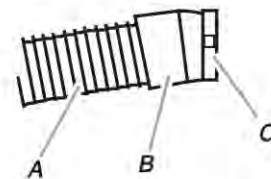
Quite los materiales de empaque

- Quite y deshágase de todos los materiales de embalaje o recíclelos. Quite las cintas y los residuos de goma del acondicionador de aire antes de encenderlo. Frote un poco de detergente líquido para vajillas sobre el adhesivo con los dedos. Limpie con agua tibia y seque.

Instalación del acondicionador de aire portátil

Instale las mangueras de escape y los adaptadores

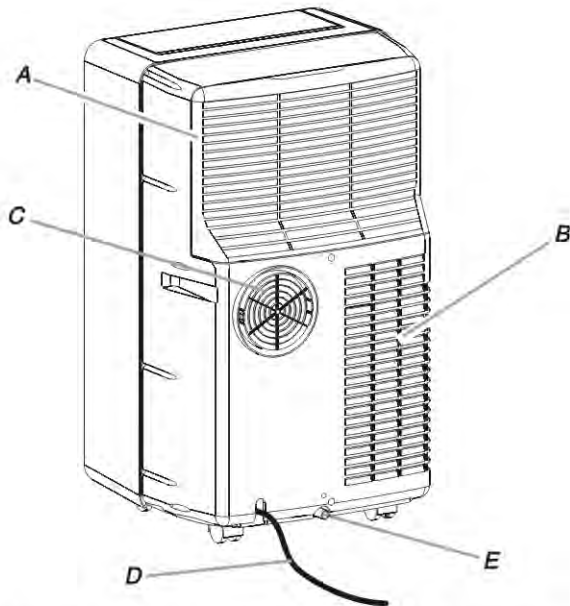
1. Mueva el acondicionador de aire hacia la ubicación elegida. Vea "Requisitos de ubicación".
2. Fije un adaptador en cada una de las mangueras flexibles. Gírelo hacia la derecha para trabarlo en su lugar.
NOTA: Los adaptadores deberán instalarse de manera que las lengüetas estén horizontales con respecto a los lados del adaptador, o verticales con respecto a la parte superior e inferior del adaptador.
3. Inserte una de las mangueras flexibles en la lumbrera de entrada que está en la parte posterior del acondicionador de aire portátil.



A. Manguera flexible
B. Adaptador
C. Lengüeta del adaptador en sentido horizontal, en los lados del adaptador

4. Empuje hacia abajo y haga encajar para asegurar la manguera flexible en su lugar.

5. Inserte la segunda manguera flexible en la lumbrera de entrada que está en la parte posterior del acondicionador de aire portátil.
6. Empuje hacia abajo y haga encajar para asegurar la manguera flexible en su lugar.



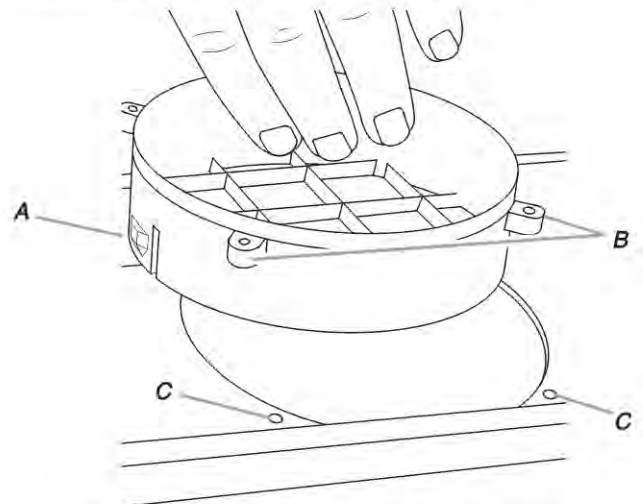
A. Entrada de aire para el evaporador D. Suministro de energía
 B. Manguera de entrada de aire E. Puerto de desagüe
 C. Manguera de salida de aire

Instalación del juego deslizable para ventana

Su juego deslizable para ventana fue diseñado para encajar en casi todo tipo de ventanas verticales y horizontales estándar. Sin embargo, podría ser necesario que tenga que modificar algunos aspectos de los procedimientos de instalación para ciertos tipos de ventanas.

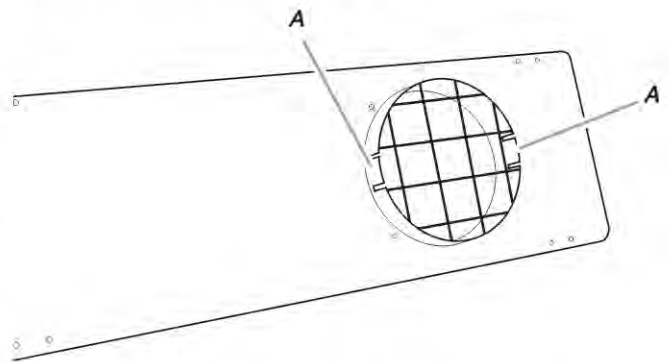
1. Saque los 4 tornillos del juego deslizable para ventana para la instalación vertical u horizontal. Mantenga los tornillos para usarlos más tarde.
2. Saque las cubiertas de la rejilla del adaptador girando hacia cualquier dirección. Guarde las cubiertas de las rejillas del adaptador para usarlas más tarde. Vea "Almacenamiento después del uso" en "Cuidado del acondicionador de aire portátil".
3. Inserte las rejillas del adaptador en el juego deslizable de la ventana.

4. Alinee las lengüetas del orificio del tornillo con los orificios de los tornillos en el juego deslizable de la ventana.



A. Lengüeta del adaptador sobre la rejilla del adaptador C. Orificios de los tornillos en el juego deslizable de la ventana
 B. Orificios de los tornillos en la rejilla del adaptador

5. Asegúrese de que las lengüetas en las rejillas del adaptador se alineen con las lengüetas del adaptador.

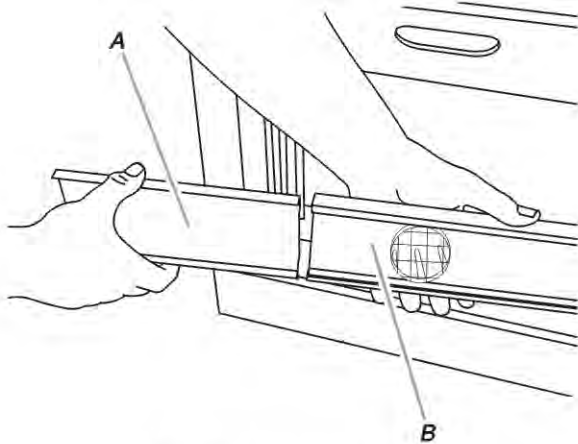


A. Lengüeta del adaptador sobre la rejilla del adaptador, instalada horizontalmente

6. Sujete las rejillas del adaptador al juego deslizable de la ventana con los 4 tornillos provistos. Vea "Piezas suministradas" en "Herramientas y piezas".

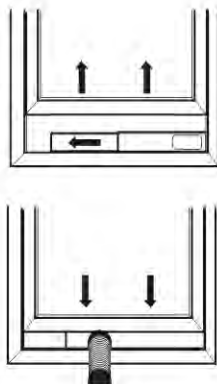


7. Abra la ventana.
8. Mida la abertura de la ventana.
 - Si la abertura de la ventana es muy angosta para el juego deslizable para ventana, quite la sección deslizador interior del juego deslizable para ventana.

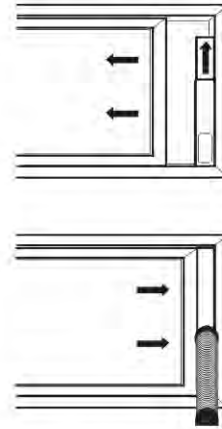


A. Sección deslizador interior
B. Sección deslizador exterior

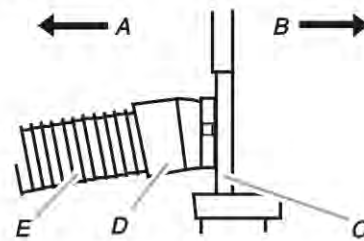
- Usando una sierra, corte la sección deslizador interior de acuerdo al tamaño de la abertura de la ventana.
 - Deslice la sección deslizador interior dentro del juego deslizable para ventana.
9. Empuje las mangueras del adaptador en las rejillas del adaptador y éstas dentro del juego deslizable para ventana, hasta que encajen y queden asegurados en su lugar.
 10. Coloque el juego deslizable para ventana dentro de la ventana, extendiéndolo para que encaje con el ancho de la ventana.
 11. Vuelva a insertar los 4 tornillos que se quitaron anteriormente para asegurar la sección deslizador interior a la sección deslizador exterior.



NOTA: Para la instalación de ventana a bisagra, el juego deslizable para ventana puede ser instalado verticalmente.



12. Cierre la ventana sobre el juego deslizable para ventana a fin de asegurarlo.



A. Al acondicionador de aire portátil D. Adaptador
B. Exterior E. Manguera flexible
C. Juego deslizable para ventana

Complete la instalación

⚠ ADVERTENCIA



Peligro de Choque Eléctrico

Conecte a un contacto de pared de conexión a tierra de 3 terminales.

No quite la terminal de conexión a tierra.

No use un adaptador.

No use un cable eléctrico de extensión.

No seguir estas instrucciones puede ocasionar la muerte, incendio o choque eléctrico.

1. Conecte a un contacto de pared de conexión a tierra de 3 terminales.
2. Presione RESET (Reposición) sobre el cable de suministro de energía. Vea "Requisitos eléctricos".

CÓMO USAR SU ACONDICIONADOR DE AIRE PORTÁTIL

Operar debidamente su acondicionador de aire le permite obtener los mejores resultados posibles.

Esta sección le explica cómo operar debidamente su acondicionador de aire portátil.

IMPORTANTE:

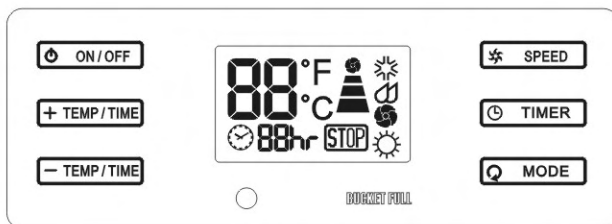
- La pantalla del acondicionador de aire muestra la temperatura actual de la habitación.
- Cuando se cambien los modos mientras el acondicionador de aire esté en funcionamiento, el compresor se detendrá de 3 a 5 minutos antes de volver a comenzar. Si se presiona un

botón durante este tiempo, el compresor no volverá a comenzar hasta que hayan transcurrido otros 3 a 5 minutos.

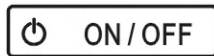
- En el modo de Cooling (Enfriamiento) o Dehumidify (Deshumedecer), el compresor y el ventilador del condensador se detendrán cuando la temperatura de la habitación alcance la temperatura fijada.

NOTA: En caso de corte de electricidad, el acondicionador de aire funcionará con los ajustes previos cuando se restablezca la energía eléctrica.

Cómo poner en marcha su acondicionador de aire portátil



1. Seleccione el modo. Vea "Modo".
2. Seleccione la velocidad del ventilador. Vea "Velocidad del ventilador".
3. Fije la temperatura. Vea "Temperatura".
4. Presione el botón de encendido para encender el acondicionador de aire.

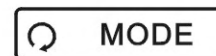


5. Cuando se enciende la luz de STOP (Parada), el tanque de agua interno se ha llenado de agua condensada y el acondicionador de aire se apagará automáticamente. Vea "Cuidado del acondicionador de aire portátil" para obtener instrucciones sobre cómo desaguar el acondicionador de aire.



Modo

1. Oprima el botón de Modo hasta que se encienda el símbolo para el ajuste que usted desea.



2. Elija Enfriamiento, Deshumedecer, Sólo ventilador o Función calor (APN12HJ solamente).
 - Enfriamiento—Enfría la habitación. Presione el botón de Velocidad del ventilador para seleccionar la velocidad Alta, Media o Baja. Ajuste la temperatura presionando los botones de más o de menos.



- Deshumedecer—Seca el ambiente. El acondicionador de aire selecciona la temperatura automáticamente. Presione el botón de Velocidad del ventilador para seleccionar la velocidad Alta, Media o Baja.

NOTAS:

- El modo de Deshumedecer no debe utilizarse para enfriar la habitación.
- Para volver el aire cálido y deshumedecido a la habitación, no instale la manguera de escape de aire.
- Si la temperatura de la habitación es de 77°F (25°C) o más baja, no podrá ajustarse la velocidad del ventilador. El ventilador funciona solamente a velocidad Baja.



- Sólo ventilador—Funciona sólo el ventilador. Presione el botón de Velocidad del ventilador para seleccionar la velocidad Alta, Media o Baja.

NOTA: La manguera de escape de aire no necesita ser conectada.



- Función Calor - APN12HJ

- En esta función la corriente de aire se puede establecer. (Nota: La opción de calor es activada solamente cuando la temperatura ambiente está por debajo de los 80 grados F)



Velocidad del ventilador

1. Presione el botón del Velocidad del ventilador para seleccionar la velocidad del ventilador deseada.



2. Seleccione Alta, Media o Baja.

- Alta—para máximo enfriamiento



- Media—para enfriamiento normal



- Low (Baja)—Para enfriamiento mínimo



Temperatura

- Presione el botón de más para aumentar la temperatura.



- Presione el botón de menos para bajar la temperatura.



NOTAS:

- En los modos de Sólo ventilador y Deshumedecer, no se puede ajustar la temperatura.

Retraso del temporizador

Para programar el temporizador para un retardo de 1 a 24 horas hasta que el acondicionador de aire se apague (el acondicionador de aire tiene que estar Encendido):

1. Presione el botón del Temporizador.



2. Oprima el botón de más o menos para cambiar el tiempo de retraso de 1 a 24 horas.
3. Aparecerá en la pantalla el tiempo de retraso.



Para ajustar el Temporizador en un retraso de 1 a 24 horas antes de encender el acondicionador de aire:

1. Apague el acondicionador de aire.
2. Presione el botón del Temporizador.
3. Oprima el botón de más o menos para cambiar el tiempo de retraso de 1 a 24 horas.
4. Aparecerá en la pantalla el tiempo de retraso.

Para despejar el programa de retraso del temporizador:

NOTA: El acondicionador de aire puede estar encendido o apagado.

1. Presione el botón del Temporizador.
2. Presione y sostenga el botón de menos hasta que se haya despejado la pantalla del temporizador.

Para cambiar el tiempo restante (en horas):

1. Presione el botón del Temporizador.
2. Oprima el botón de más o menos para cambiar el tiempo de retraso de 1 a 24 horas.
3. Aparecerá en la pantalla el tiempo de retraso.

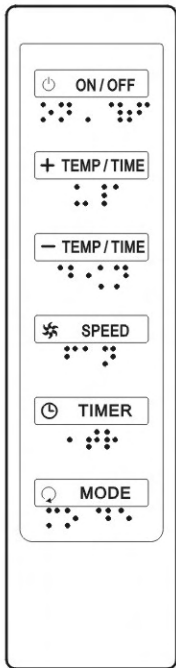
NOTAS:

- En los modos de Sólo ventilador y Deshumedecer, no se puede ajustar la temperatura.
- Para cambiar la pantalla de temperatura de °F a °C, presione el botón de +/- .

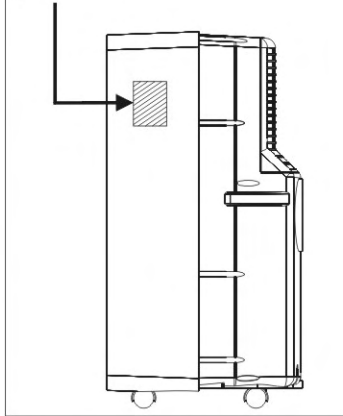


Cómo usar el control remoto MAGNASTORE *

NOTA: El control remoto MAGNASTORE puede tener una apariencia diferente.



MAGNASTORE Remote Control attaches magnetically to the Side of your ac, where the outline is shown.

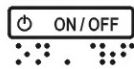


NOTAS:

- El control remoto MAGNASTORE funciona con dos pilas AAA (incluidas). Reemplace las pilas después de 6 meses de uso o cuando el control remoto MAGNASTORE comience a perder energía.
- Para poner en funcionamiento el acondicionador de aire con el control remoto MAGNASTORE, apunte el control remoto MAGNASTORE al receptor de señal a no más de 23 pies (7m) de distancia.

Encendido / Apagado

Oprima el botón Power (Encendido / Apagado).



Modo

1. Presione el botón Mode (Modo) hasta que vea que el símbolo de la configuración deseada se enciende.



2. Elija Enfriamiento, Deshumer, Sólo ventilador o Función calor (APN12HJ solamente).

- Cooling (Enfriamiento)—Enfría la habitación. Presione el botón de velocidad del ventilador para seleccionar High (alta), Medium (media) o Low (baja). Presione el botón con la flecha hacia arriba o hacia abajo para ajustar la temperatura.



- Dehumidify (Deshumidificador)—Seca la habitación. El acondicionador de aire selecciona automáticamente la temperatura. Presione el botón de velocidad del ventilador para seleccionar High (alta), Medium (media) o Low (baja).

NOTAS:

- El modo deshumidificador no debe utilizarse para enfriar la habitación.
- Para que el aire cálido y deshumidificado vuelva a la habitación, no instale la manguera de salida de aire.
- Si la temperatura de la habitación es de 77°F (25°C) o inferior, el ventilador funciona únicamente a baja velocidad.



- Fan Only (Sólo ventilador)—Funciona únicamente el ventilador. Presione el botón de velocidad del ventilador para seleccionar High (alta), Medium (media) o Low (baja).

Nota: No es necesario conectar la manguera de salida de aire.



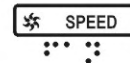
- Función calor - APN12HJ

- En esta función la corriente de aire se puede establecer. (Nota: La opción de calor es activada solamente cuando la temperatura ambiente está por debajo de los 80 grados F)



Velocidad del ventilador

1. Presione el botón Fan Speed (Velocidad del ventilador) hasta que vea que el símbolo de la configuración deseada se enciende.



2. Elija High (alta), Medium (media) o Low (baja).

- High—para un enfriamiento máximo



- Medium—para un enfriamiento normal

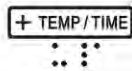


- Low—para un enfriamiento mínimo

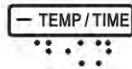


Temperatura

- Presione el botón con la flecha hacia arriba para subir la temperatura.



- Presione el botón con la flecha hacia abajo para bajar la temperatura.



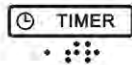
NOTAS:

- En los modos Solo ventilador y Deshumidificador no puede configurarse la temperatura.

Demora con temporizador

Para configurar el temporizador para una demora de entre 1 y 24 horas hasta que el acondicionador de aire se apague (el acondicionador de aire debe estar encendido):

1. Presione el botón Timer (Temporizador).



2. Presione el botón más o menos para cambiar el tiempo de demora desde 1 a 24 horas.
3. Se mostrará el tiempo de demora.



Para configurar el temporizador para una demora de entre 1 y 24 horas hasta que el acondicionador de aire se encienda:

1. Apague el acondicionador de aire.
2. Presione el botón Timer (Temporizador).
3. Presione el botón más o menos para cambiar el tiempo de demora desde 1 a 24 horas.
4. Se mostrará el tiempo de demora.

Para borrar el programa de demora con temporizador:
NOTA: El acondicionador de aire puede estar encendido o apagado.

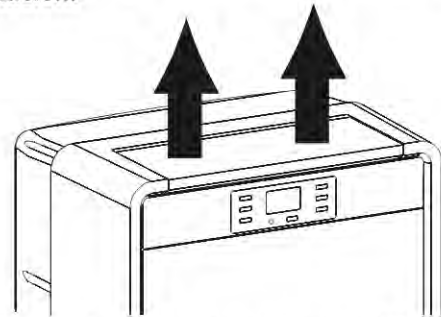
1. Presione el botón Timer (Temporizador).
2. Presione y mantenga presionado el botón menos hasta que desaparezca la pantalla del temporizador.

Para cambiar el tiempo restante (en horas):

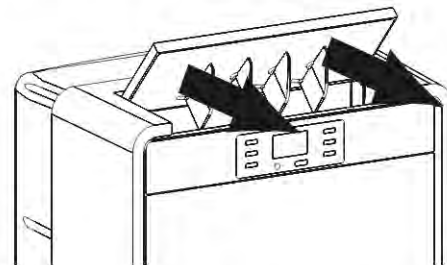
1. Presione el botón Timer (Temporizador).
2. Presione el botón más o menos para cambiar el tiempo de demora desde 1 a 24 horas.
3. Se mostrará el tiempo de demora nuevo.

Cómo cambiar la dirección del aire

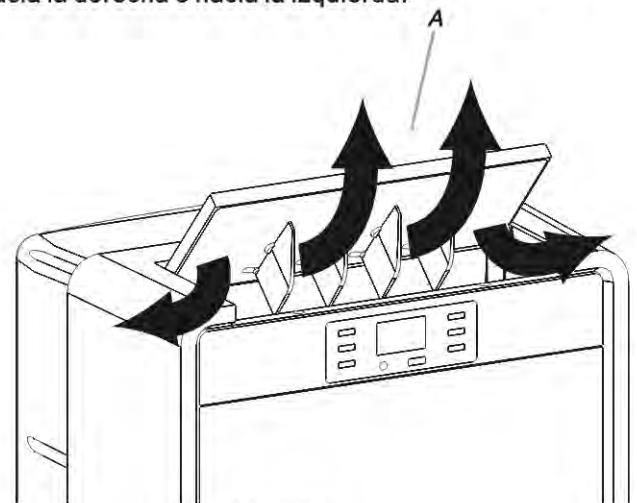
Utilice el control de dirección de aire manual que está en la parte superior del acondicionador de aire portátil para seleccionar la dirección del flujo de aire. Elija la posición hacia abajo para dirigir el flujo de aire directo hacia arriba en la habitación.



Rote las rejillas hacia arriba una posición para dirigir el flujo de aire horizontalmente a la habitación.



Rote las rejillas hasta la posición completamente abierta para dirigir el flujo de aire horizontalmente y verticalmente a la habitación. Use la lengüeta para ajustar el flujo de aire hacia la derecha o hacia la izquierda.



A. Lengüeta

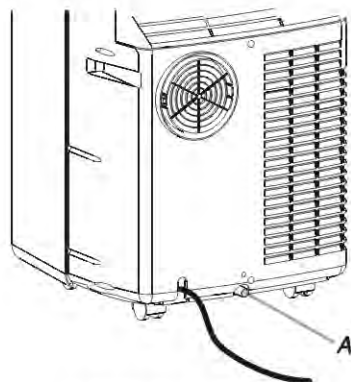
Sonidos normales

Cuando su acondicionador de aire está funcionando cómo debe, Ud. podría escuchar sonidos tales como:

- El movimiento de aire del ventilador.
- Chasquidos del ciclo del termostato.
- Vibraciones o sonidos causados por la mala construcción de la pared o de la ventana.
- Un zumbido agudo o un ruido pulsante producido por la alternación de los ciclos del moderno compresor de alta eficiencia.

CÓMO CUIDAR SU ACONDICIONADOR DE AIRE PORTÁTIL

Desagüe del acondicionador de aire



A. Tapón de desagüe

⚠ ADVERTENCIA

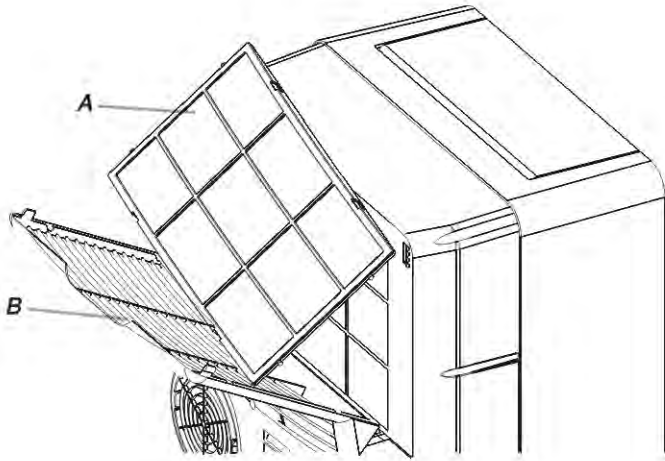
Peligro de Peso Excesivo

Use dos o más personas para mover e instalar el acondicionador de aire.

No seguir esta instrucción puede ocasionar una lesión en la espalda u otro tipo de lesiones.

1. Presione el botón del Encendido para apagar el acondicionador de aire.
2. Desenchufe el acondicionador de aire o desconecte el suministro de energía.
3. Mueva el acondicionador de aire a un lugar de desagüe o hacia afuera.
4. Quite el tapón de goma del desagüe y permita que el agua drene del acondicionador de aire.
5. Vuelva a colocar el tapón del desagüe.
6. Vuelva a colocar el acondicionador de aire en su lugar.
7. Enchufe el acondicionador de aire o reconecte el suministro de energía.
8. Presione el botón del Encendido para encender el acondicionador de aire.

Limpieza del filtro de aire



A. Filtro de aire
B. Panel del filtro

1. Presione el botón del Encendido para apagar el acondicionador de aire.
2. Abra el panel del filtro y levántelo del mismo.
3. Limpie el filtro usando una aspiradora. Si está muy sucio, lave el filtro de agua tibia y un detergente suave.
NOTA: No lave el filtro en la lavavajillas ni use limpiadores químicos.
4. Seque bien el filtro al aire antes de colocarlo nuevamente para asegurarse de obtener la máxima eficiencia.
5. Vuelva a colocar el filtro en el panel del filtro.
6. Cierre el panel del filtro.
7. Presione el botón del Encendido para encender el acondicionador de aire.

Limpieza del exterior

1. Desenchufe el acondicionador de aire o desconecte el suministro de energía.
2. Saque el filtro de aire y límpielo separadamente. Vea "Limpieza del filtro de aire".
3. Limpie el exterior del acondicionador de aire con un paño suave y húmedo.
4. Enchufe el acondicionador de aire o reconecte el suministro de energía.
5. Presione el botón del Encendido para encender el acondicionador de aire.

Almacenamiento después del uso

1. Quite el tapón de desagüe y drene el agua completamente.
2. Haga funcionar el acondicionador de aire con el ventilador solamente durante aproximadamente 12 horas para que el acondicionador de aire se seque.
3. Desenchufe el acondicionador de aire.
4. Saque la manguera de escape flexible y guárdela junto con el acondicionador de aire en un lugar limpio y seco. Vea "Instrucciones de instalación".
5. Para resguardar el juego deslizante para ventana en la ventana, instale las cubiertas de las rejillas del adaptador sobre las rejillas del adaptador. Vea "Piezas suministradas" en "Herramientas y piezas".
6. Saque el juego de la ventana y guárdelo junto con el acondicionador de aire en un lugar limpio y seco. Vea "Instrucciones de instalación".
7. Quite el filtro y límpielo. Vea "Limpieza del filtro de aire".
8. Limpie el exterior del acondicionador de aire. Vea "Limpieza del exterior".
9. Vuelva a instalar el filtro.
10. Quite las pilas del control remoto.
11. Guarde el control remoto junto con el acondicionador de aire en un lugar limpio y seco.

SOLUCIÓN DE PROBLEMAS

Antes de solicitar servicio, pruebe las sugerencias que se incluyen a continuación para ver si puede resolver el problema sin ayuda.

Su acondicionador de aire no funciona

⚠ ADVERTENCIA



Peligro de Choque Eléctrico

Conecte a un contacto de pared de conexión a tierra de 3 terminales.

No quite la terminal de conexión a tierra.

No use un adaptador.

No use un cable eléctrico de extensión.

No seguir estas instrucciones puede ocasionar la muerte, incendio o choque eléctrico.

- **El cable de alimentación eléctrica está desconectado.** Conecte a un contacto de pared de conexión a tierra de 3 terminales. Vea "Requisitos eléctricos".
- **Se está usando un fusible de retardo o un disyuntor con la capacidad incorrecta.** Reemplácelo con un fusible de retardo o un disyuntor con la capacidad correcta. Vea "Requisitos eléctricos".
- **El cable de suministro de energía se trabó (el botón de reposición saltó).** Presione y suelte RESET (Reposición) (escuche el chasquido, el botón de reposición queda asegurado y se mantiene asegurado) para reanudar el funcionamiento.
- **Se ha fundido un fusible de la casa o disparado un disyuntor.** Reemplace el fusible o reposicione el disyuntor. Vea "Requisitos eléctricos".
- **No se ha presionado el botón de Power (Encendido).** Presione POWER.
- **Se ha interrumpido la energía eléctrica en su localidad.** Espere que se restablezca la energía eléctrica.

El acondicionador de aire funde los fusibles o dispara los disyuntores

- **Se están usando muchos aparatos en el mismo circuito.** Desconecte o ponga en otro lugar los aparatos que estén usando el mismo circuito.
- **Usted está tratando de volver a poner en marcha el acondicionador de aire muy poco tiempo después de apagarlo.** Espere por lo menos 3 minutos antes de poner en marcha el acondicionador de aire después de apagarlo.
- **Ha cambiado el modo.** Espere por lo menos 3 minutos antes de poner en marcha el acondicionador de aire después de apagarlo.

El cable de suministro de energía del acondicionador de aire se traba (el botón de reposición salta)

- **Las interrupciones en la corriente eléctrica de su casa pueden hacer trabar (el botón de reposición saltará) el cable de suministro de energía.** Presione y suelte RESET (Reposición) (escuche el chasquido, el botón de reposición queda asegurado y se mantiene asegurado) para reanudar el funcionamiento.
- **Una sobrecarga eléctrica, el recalentamiento, los pellizcos y el envejecimiento pueden hacer que se traben (el botón de reposición saltará) el cable de suministro de energía.** Luego de corregir el problema, presione y suelte RESET (Reposición) (escuche el chasquido, el botón de reposición queda asegurado y se mantiene asegurado) para reanudar el funcionamiento. Si el cable de suministro de energía no se reposiciona, póngase en contacto con un técnico de servicio.

NOTA: Un cable de suministro de energía dañado debe ser reemplazado por un nuevo cable de suministro de energía obtenido del fabricante del producto y no debe ser reparado.

Parece que el acondicionador de aire funciona excesivamente

- **¿Está abierta una ventana o puerta?** Mantenga las puertas y ventanas cerradas.
- **Su actual acondicionador de aire reemplazó un modelo viejo.** El uso de componentes más eficientes puede hacer que el acondicionador de aire funcione por más tiempo que su antiguo modelo, pero el consumo total de energía será menor. Los acondicionadores de aire más nuevos no emiten las "ráfagas" de aire frío a las que usted estaba acostumbrado con sus unidades anteriores, pero esto no es indicio de menor capacidad o eficiencia en el enfriamiento. Verifique el régimen de eficiencia (EER—Proporción de Eficacia de Energía, por sus siglas en inglés) y el régimen de capacidad (en Btu/h) que se indican en el acondicionador de aire.
- **El acondicionador de aire se encuentra en una habitación muy congestionada o se están usando en la misma habitación aparatos que generan calor.** Use ventiladores aspiradores cuando esté cocinando o bañándose y trate de no usar aparatos que generan calor durante las horas más calurosas del día. Los acondicionadores de aire portátiles están diseñados para proporcionar enfriamiento complementario a áreas locales dentro de una habitación. Podría necesitar un acondicionador de aire con más capacidad, dependiendo del tamaño de la habitación que se desea enfriar.

El acondicionador de aire funciona solamente por un corto tiempo y la habitación no está fría

- **Se fijó una temperatura similar a la temperatura de la habitación.** Baje la temperatura fijada. Vea "Uso del acondicionador de aire portátil".

El acondicionador de aire funciona pero no enfría

- **El filtro está sucio u obstruido por escombros.** Limpie el filtro.
- **La salida del aire está bloqueada.** Despeje la salida del aire.
- **Se fijó la temperatura en un ajuste demasiado alto.** Baje la temperatura fijada.

El acondicionador de aire alterna demasiado los ciclos de encendido y apagado

- **El acondicionador de aire no tiene el tamaño adecuado para su habitación.** Verifique la capacidad de enfriamiento

de su acondicionador de aire portátil. Los acondicionadores de aire portátiles están diseñados para proporcionar enfriamiento complementario a áreas locales dentro de una habitación.

- **El filtro está sucio u obstruido por desechos.** Limpie el filtro.
- **Hay demasiado calor o humedad (se está cocinando en recipientes abiertos, duchas, etc.) en la habitación.** Use un ventilador para eliminar el calor o la humedad de la habitación. Trate de no usar aparatos que generan calor durante las horas más calurosas del día.
- **Las rejillas están bloqueadas.** Instale el acondicionador de aire en un lugar donde las rejillas no estén bloqueadas por cortinas, persianas, muebles, etc.
- **La temperatura exterior es inferior a los 64°F (18°C).** No trate de poner en marcha el acondicionador de aire en el modo de enfriamiento cuando la temperatura exterior sea inferior a los 64°F (18°C).

AYUDA O SERVICIO TÉCNICO

Antes de solicitar ayuda o servicio técnico, por favor consulte la sección "Solución de problemas". Esto le podría ahorrar el costo de una visita de servicio técnico. Si considera que aún necesita ayuda, siga las instrucciones que aparecen a continuación.

Cuando llame, tenga a mano la fecha de compra y el número completo del modelo y de la serie de su electrodoméstico. Esta información nos ayudará a atender mejor a su pedido.

Si necesita piezas de repuesto

Si necesita pedir piezas de repuesto, recomendamos que use únicamente piezas de repuesto especificadas de fábrica. Estas piezas encajarán bien y funcionarán bien ya que están confeccionadas con la misma precisión empleada en la fabricación de cada electrodoméstico nuevo.

Para encontrar piezas de repuesto especificadas de fábrica en su localidad, llámenos o comuníquese con el centro de servicio designado más cercano a su localidad.

Por favor anote la información sobre su modelo.

Siempre que llame para solicitar servicio del aparato, necesitará saber el número del modelo y el número de serie completos. Esta

información la encuentra en la placa de número del modelo y número de serie. La etiqueta con el número de modelo y de serie está en la carcasa.

Por favor anote la información sobre el número del modelo y el número de serie que se incluye abajo. Anote también la fecha de compra del aparato, así como el nombre, la dirección y el teléfono de la tienda.

Número de modelo _____

Número de serie _____

Fecha de compra _____

Nombre de la tienda _____

Dirección de la tienda _____

Teléfono de la tienda _____

Guarde este manual y el comprobante de compra juntos para referencia futura.

En los EE.UU.

Llame al Servicio al cliente sin costo alguno al: **1-888-842-2440.**

Nuestros consultores ofrecen asistencia con respecto a:

- Características y especificaciones de nuestra línea de electrodomésticos.
- Información sobre la instalación.
- Procedimiento para el uso y mantenimiento.
- Venta de piezas para reparación.
- Recomendaciones sobre compañías que dan servicio y distribuidores de partes para reparación. Los técnicos de servicio designados están entrenados para cumplir con la garantía del producto y ofrecer servicio una vez que la garantía termine, en cualquier lugar de los EE.UU.

Para obtener más asistencia

Si necesita asistencia adicional, puede escribir con sus preguntas o dudas a:

Haier America
1356 Broadway
New York, NY 10018

Favor de incluir un número telefónico de día en su correspondencia.

GARANTÍA LIMITADA DE AMANA

GARANTÍA LIMITADA DE UN AÑO

Esta garantía cubre todos los defectos de fabricación o de materiales para las piezas mecánicas y eléctricas (incluyendo los costos por mano de obra) que contenga este producto de Amana, durante un período de 12 meses a partir de la fecha de compra. Para una aplicación comercial o de alquiler, la garantía es de 90 días. Usted deberá guardar su recibo de compra original y proveerlo como prueba de la fecha de compra.

GARANTÍA LIMITADA DE CINCO AÑOS PARA EL SISTEMA SELLADO

El sistema sellado y el compresor que contiene este producto de Amana tienen una garantía de un período de 5 años a partir de la fecha de compra (excluyendo los gastos por mano de obra después del período inicial de 12 meses). Para el uso comercial o de alquiler, la garantía limitada adicional para el compresor es de 1 año y 9 meses (excluyendo los costos de mano de obra después del período inicial de 90 días). Usted deberá guardar su recibo de compra original y proveerlo como prueba de la fecha de compra.

QUIÉN ESTÁ CUBIERTO

El comprador minorista original de este producto de Amana.

QUÉ SE HARÁ

Amana reparará o reemplazará cualquier pieza mecánica o eléctrica del compresor respecto de la cual se compruebe que es defectuosa en el uso normal doméstico, durante un período de 12 meses. Amana reparará o reemplazará (excluyendo los gastos por mano de obra) el sistema sellado y el compresor (solamente las piezas) durante un período adicional de 4 años.

CÓMO SE PUEDE OBTENER SERVICIO

Póngase en contacto con el Centro de servicio autorizado por el fabricante más cercano. Para obtener el nombre del Centro de servicio más cercano a su localidad, póngase en contacto con Amana Room Air Conditioners (Acondicionadores de aire para habitación de Amana), llamando al **1-888-842-2440**.

Todo el servicio deberá ser efectuado por un Centro de servicio de Amana autorizado por el fabricante.

ESTA GARANTÍA NO CUBRE

1. Daños debidos a la instalación incorrecta.
 2. Daños durante el envío.
 3. Daños por uso indebido, abuso, accidente, alteración, falta de cuidado y mantenimiento apropiados.
 4. Daños debidos al servicio efectuado por un distribuidor o centro de servicio que sea diferente del autorizado.
 5. Cargos por mano de obra, servicio, transporte y envío para la remoción de las piezas defectuosas y la instalación de piezas de repuesto que se efectúen después del período inicial de 12 meses.
-

ESTA GARANTÍA LIMITADA SE OTORGA EN LUGAR DE CUALQUIER OTRA GARANTÍA, EXPRESA O IMPLÍCITA, INCLUYENDO LAS GARANTÍAS DE COMERCIABILIDAD Y CAPACIDAD PARA UN PROPÓSITO EN PARTICULAR.

El recurso provisto en esta garantía es exclusivo y está otorgado en lugar de cualquier otro recurso. Esta garantía no cubre daños incidentales o consecuentes. Algunos estados no permiten la exclusión de daños incidentales o consecuentes, de modo que esta limitación quizás no le corresponda a usted. Algunos estados no permiten las limitaciones acerca de cuánto tiempo dura una garantía implícita, de modo que la limitación arriba indicada quizás no le corresponda. Esta garantía le otorga derechos legales específicos, y es posible que usted tenga también otros derechos, los cuales varían de un estado a otro.

Esta garantía cubre los Estados Unidos, sus territorios y posesiones y Canadá.

Para obtener más información acerca de este y otros productos de Amana en la habitación Aire, llame a Customer Affairs Department (Departamento de asuntos del cliente), al: **1-888-842-2440**.

1/08

SÉCURITÉ DU CLIMATISEUR

Votre sécurité et celle des autres est très importante.

Nous donnons de nombreux messages de sécurité importants dans ce manuel et sur votre appareil ménager. Assurez-vous de toujours lire tous les messages de sécurité et de vous y conformer.



Voici le symbole d'alerte de sécurité.

Ce symbole d'alerte de sécurité vous signale les dangers potentiels de décès et de blessures graves à vous et à d'autres.

Tous les messages de sécurité suivront le symbole d'alerte de sécurité et le mot "DANGER" ou "AVERTISSEMENT". Ces mots signifient :

⚠ DANGER

Risque possible de décès ou de blessure grave si vous ne suivez pas immédiatement les instructions.

⚠ AVERTISSEMENT

Risque possible de décès ou de blessure grave si vous ne suivez pas les instructions.

Tous les messages de sécurité vous diront quel est le danger potentiel et vous disent comment réduire le risque de blessure et ce qui peut se produire en cas de non-respect des instructions.

IMPORTANTES INSTRUCTIONS DE SÉCURITÉ

AVERTISSEMENT : Pour réduire les risques d'incendie, de choc électrique ou des blessures lors de l'utilisation du climatiseur, prendre quelques précautions fondamentales, y compris les suivantes :

- Brancher sur une prise à 3 alvéoles reliée à la terre.
- Ne pas utiliser un câble de rallonge.
- Ne pas enlever la broche de liaison à la terre.
- Débrancher le climatiseur avant l'entretien.
- Ne pas utiliser un adaptateur.
- Utiliser deux ou plus de personnes pour déplacer et installer le climatiseur.

CONSERVEZ CES INSTRUCTIONS

EXIGENCES D'INSTALLATION

Outils et pièces

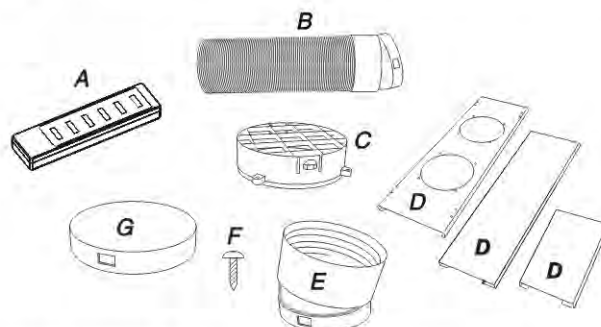
Rassembler les outils et pièces nécessaires avant de commencer l'installation. Lire et suivre les instructions fournies avec les outils indiqués ici.

Outils nécessaires

- Tournevis Phillips
- Ciseaux
- Scie
- Mètre-ruban
- Crayon

Pièces fournies

Vérifier que toutes les pièces sont présentes dans le sachet de pièces.



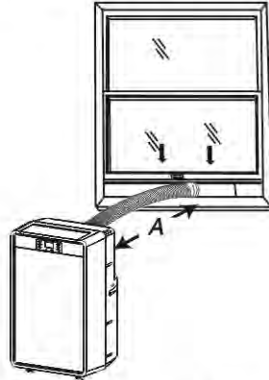
- A. MAGMASTORE fêlêcommande
- B. Tuyaux souples (1)
- C. Filtres d'adaptateur (1)
- D. Ensemble coulissant pour fenêtre (3)
De 20" / 50 cm jusqu'à 46" / 116 cm
- E. Adaptateurs (2)
- F. Vis à tête Phillips (4)
- G. Couverts de filtre d'adaptateur (1)

Exigences d'emplacement

REMARQUES :

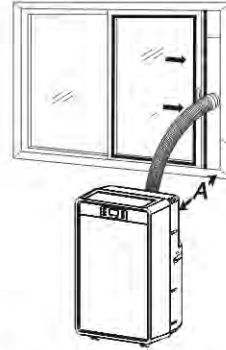
- Le tuyau d'évacuation souple permet de placer le climatiseur entre 22" et 58" (55,9 cm et 147,2 cm) à partir de la porte ou de la fenêtre.
- Les climatiseurs portatifs sont conçus comme un dispositif supplémentaire de refroidissement de zones locales dans une même pièce.

Fenêtre à coulissement vertical



A. 22" à 58" (55,9 cm à 147,2 cm)

Fenêtre à coulissement horizontal



A. 22" à 58" (55,9 cm à 147,2 cm)

- Pour obtenir une aération appropriée, maintenir la distance exigée de la prise de retour d'air au mur ou autres obstacles à 22" (55,9 cm) minimum.
- Ne pas bloquer la prise de sortie d'air.
- Permettre un accès facile à une prise à 3 alvéoles reliée à la terre.

Spécifications électriques

⚠ AVERTISSEMENT



Risque de choc électrique

Brancher sur une prise à 3 alvéoles reliée à la terre.

Ne pas enlever la broche de liaison à la terre.

Ne pas utiliser un adaptateur.

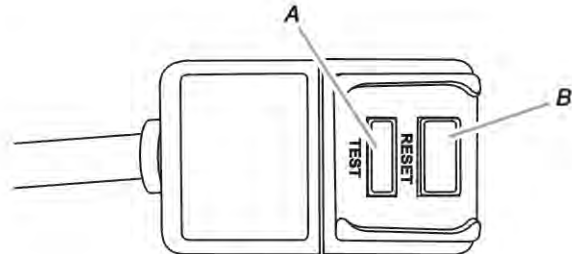
Ne pas utiliser un câble de rallonge.

Le non-respect de ces instructions peut causer un décès, un incendie ou un choc électrique.

- Le climatiseur portatif doit être raccordé à une prise à 3 alvéoles de 115 V, 60 Hz, 15 ampères, protégée par fusible et reliée à la terre.
- On recommande l'emploi d'un disjoncteur ou fusible temporisé.
- Le câblage électrique doit respecter les codes local et national de l'électricité et être installé par un électricien qualifié. Contacter un électricien qualifié en cas de questions.

Cordon d'alimentation

REMARQUE : Votre climatiseur peut différer de celui qui est illustré.



A. Bouton Test

B. Bouton Reset (réinitialisation)

Ce climatiseur de pièce est équipé d'un cordon d'alimentation conforme aux exigences de UL. Ce cordon d'alimentation comporte des circuits électroniques d'avant-garde détectant les courants de fuite. En cas d'écrasement du cordon d'alimentation, les circuits électroniques détectent les courants de fuite et l'alimentation est interrompue en une fraction de seconde.

⚠ AVERTISSEMENT



Risque de choc électrique

Brancher sur une prise à 3 alvéoles reliée à la terre.

Ne pas enlever la broche de liaison à la terre.

Ne pas utiliser un adaptateur.

Ne pas utiliser un câble de rallonge.

Le non-respect de ces instructions peut causer un décès, un incendie ou un choc électrique.

Pour tester le cordon d'alimentation :

1. Brancher le cordon d'alimentation dans une prise à 3 alvéoles reliée à la terre.
2. Appuyer sur RESET (réinitialisation).

3. Appuyer sur TEST (un déclic se fait entendre, le bouton Reset se déclenche et ressort).
4. Appuyer sur le bouton RESET et le relâcher (un déclic se fait entendre, le bouton Reset s'enclenche et reste enfoncé). Le cordon d'alimentation est prêt à être utilisé.

REMARQUES :

- Le bouton Reset (réinitialisation) doit être enfoncé pour une utilisation correcte.
- Le cordon d'alimentation doit être remplacé s'il ne se déclenche pas lorsqu'on appuie sur le bouton de test ou si l'appareil n'est pas réinitialisé.
- Ne pas utiliser le cordon d'alimentation comme interrupteur. Le cordon d'alimentation est conçu pour remplir les fonctions de dispositif de protection.
- Un cordon d'alimentation endommagé doit être remplacé par un nouveau cordon d'alimentation obtenu auprès du fabricant et ne doit pas être réparé.
- Le cordon d'alimentation ne comprend aucune pièce utilisable. Ouvrir le boîtier inviolable annule toute garantie et réclamation pour mauvaise performance.

INSTRUCTIONS D'INSTALLATION

Déballage du climatiseur

⚠ AVERTISSEMENT

Risque du poids excessif

Utiliser deux ou plus de personnes pour déplacer et installer le climatiseur.

Le non-respect de cette instruction peut causer une blessure au dos ou d'autre blessure.

Frotter une petite quantité de savon liquide à vaisselle sur l'adhésif avec les doigts. Rincer à l'eau tiède et sécher.

- Ne pas utiliser d'instruments coupants, d'alcool à friction, de liquides inflammables ou de nettoyants abrasifs pour enlever le ruban adhésif ou la colle. Ces produits peuvent endommager la surface de votre climatiseur.

Enlèvement des matériaux d'emballage

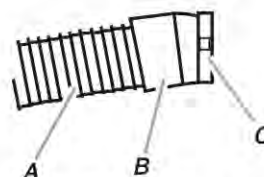
- Enlever et jeter/recycler de façon appropriée les matériaux d'emballage. Enlever tout résidu de ruban adhésif et de colle des surfaces avant de mettre le climatiseur en marche.

Installation du climatiseur portatif

Installation des tuyaux d'évacuation et des adaptateurs

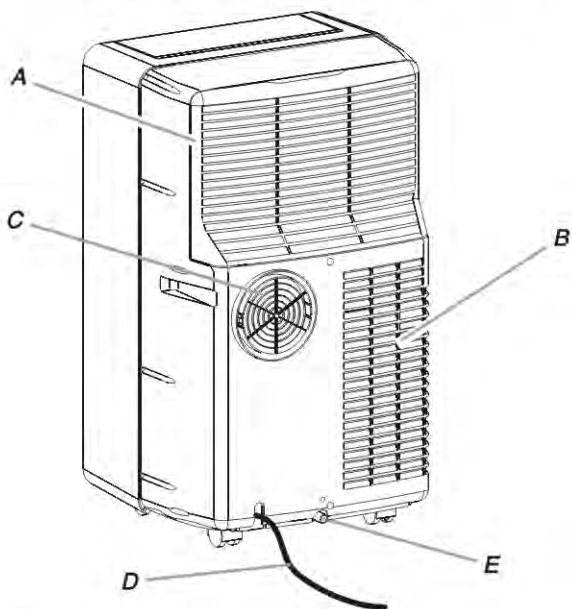
1. Faire rouler le climatiseur jusqu'à l'emplacement choisi. Voir "Exigences d'emplacement".
2. Fixer un adaptateur d'évacuation sur chaque tuyau d'évacuation souple. Tourner dans le sens horaire jusqu'à ce qu'il s'enclenche.

REMARQUE : Les adaptateurs doivent être installés de manière à ce que les languettes d'adaptateur soient en position horizontale de chaque côté de l'adaptateur ou en position verticale au-dessus et au-dessous de l'adaptateur.



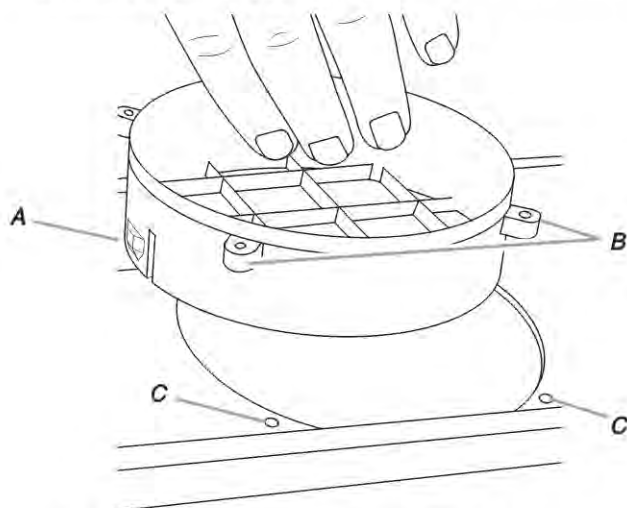
A. Tuyau d'évacuation souple
B. Adaptateur
C. Languette d'adaptateur placée horizontalement de chaque côté de l'adaptateur

3. Insérer l'un des tuyaux d'évacuation souples dans l'orifice de décharge situé à l'arrière du climatiseur portatif.
4. Enfoncer le tuyau souple jusqu'à ce qu'il s'enclenche—il doit être verrouillé.
5. Insérer le second tuyau d'évacuation souple dans l'orifice de décharge situé à l'arrière du climatiseur portatif.
6. Enfoncer le tuyau souple jusqu'à ce qu'il s'enclenche.



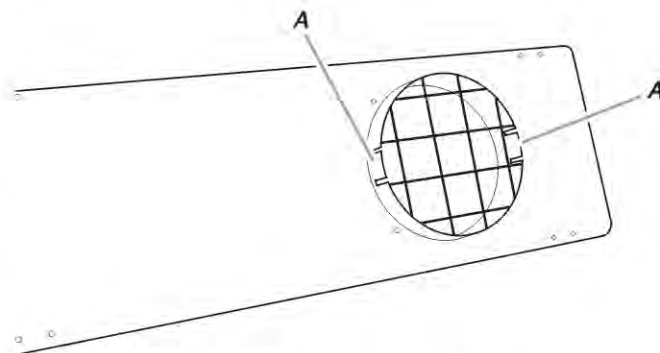
A. Arrivée d'air de l'évaporateur
 B. Tuyau d'arrivée d'air
 C. Tuyau d'évacuation
 D. Alimentation électrique
 E. Orifice de drainage

4. Aligner les languettes de trous de vis avec les trous de vis de l'ensemble coulissant pour fenêtre.



A. Languette d'adaptateur de filtre
 B. Trous de vis du filtre d'adaptateur
 C. Trous de vis de l'ensemble coulissant pour fenêtre

5. Veiller à ce que les languettes d'adaptateur des filtres d'adaptateur soient bien alignées avec les languettes d'adaptateur de l'adaptateur.



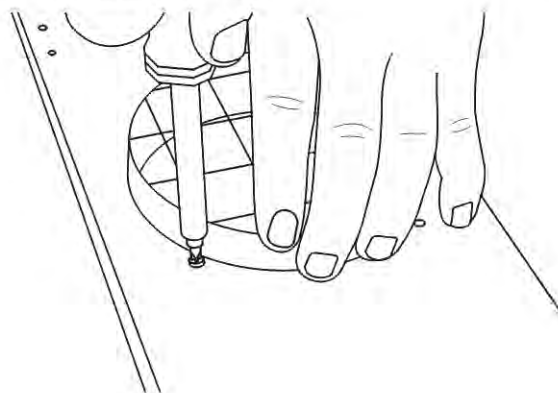
A. Languette d'adaptateur du filtre d'adaptateur—installation horizontale

Installation de l'ensemble coulissant pour fenêtre

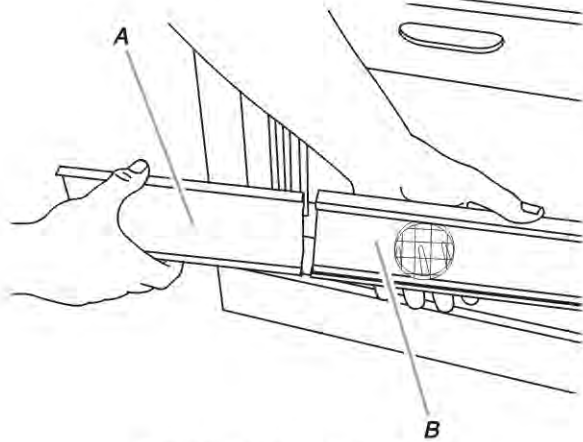
Cet ensemble coulissant pour fenêtre a été conçu pour s'adapter à la plupart des fenêtres verticales et horizontales de type standard. Cependant, il peut être nécessaire de modifier certains aspects de la procédure d'installation selon le type de fenêtres utilisées.

1. Installation verticale ou horizontale : ôter les 4 vis de l'ensemble coulissant pour fenêtre. Conserver les vis pour une utilisation ultérieure.
2. Ôter les couvercles de filtres d'adaptateur en les faisant pivoter d'un côté puis de l'autre. Conserver les couvercles de filtres d'adaptateur pour une utilisation ultérieure. Voir "Conservation après utilisation" dans "Entretien du climatiseur portatif".
3. Insérer les filtres d'adaptateur dans l'ensemble coulissant pour fenêtre.

6. Fixer les filtres d'adaptateur sur l'ensemble coulissant pour fenêtre à l'aide des 4 vis fournies. Voir "Pièces fournies" dans "Outillage et composants".

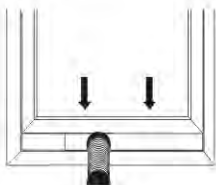
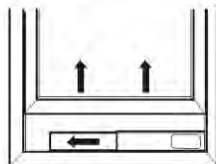


7. Ouvrir la fenêtre.
8. Mesurer l'ouverture de la fenêtre.
 - Si l'ouverture de la fenêtre est trop étroite pour l'ensemble coulissant pour fenêtre, retirer la section coulissante interne de l'ensemble coulissant pour fenêtre.

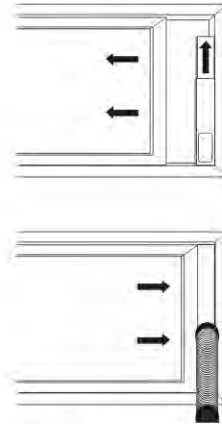


A. Section coulissante interne
B. Section coulissante externe

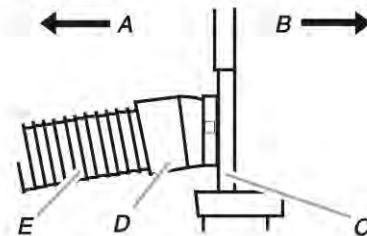
- À l'aide d'une scie, couper la section coulissante interne de façon à ce qu'elle puisse s'engager dans l'ouverture de la fenêtre.
 - Faire glisser la section coulissante interne dans l'ensemble coulissant pour fenêtre.
9. Enfoncer les tuyaux d'adaptateurs dans les filtres d'adaptateur de l'ensemble coulissant pour fenêtre jusqu'à ce qu'ils s'enclenchent—ils doivent être verrouillés.
 10. Placer l'ensemble coulissant pour fenêtre dans la fenêtre et l'ajuster à la taille de la fenêtre.
 11. Fixer les sections coulissantes internes sur la section coulissante externe—réinsérer les 4 vis retirées plus tôt.



REMARQUE : Pour une installation dans une fenêtre à battants, l'ensemble coulissant pour fenêtre peut être installé verticalement.



12. Refermer la fenêtre sur l'ensemble coulissant pour le maintenir en place.



A. Au climatiseur portatif
B. Extérieur
C. Ensemble coulissant pour fenêtre
D. Adaptateur
E. Tuyau d'évacuation souple

Achever l'installation

⚠ AVERTISSEMENT



Risque de choc électrique

- Brancher sur une prise à 3 alvéoles reliée à la terre.
- Ne pas enlever la broche de liaison à la terre.
- Ne pas utiliser un adaptateur.
- Ne pas utiliser un câble de rallonge.
- Le non-respect de ces instructions peut causer un décès, un incendie ou un choc électrique.

1. Brancher sur une prise à 3 alvéoles reliée à la terre.
2. Appuyer sur RESET (réinitialisation) sur la prise du cordon d'alimentation. Voir "Spécifications électriques".

UTILISATION DU CLIMATISEUR PORTATIF

Une bonne utilisation de votre climatiseur vous aidera à obtenir les meilleurs résultats possibles.

Cette section explique le fonctionnement correct du climatiseur portable.

IMPORTANT :

- L'afficheur du climatiseur indique la température ambiante.
- En cas de modification des modes en cours de fonctionnement du climatiseur, le compresseur cesse de fonctionner pendant 3 à 5 minutes avant de redémarrer. Si on appuie sur un bouton au cours de cette période, le

compresseur ne redémarrera pas avant 3 à 5 minutes supplémentaires.

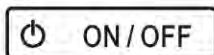
- Au mode Cooling (refroidissement) ou Dehumidify (déshumidification), le compresseur et le ventilateur de condenseur s'arrêteront lorsque la température ambiante aura atteint la température réglée.

REMARQUE : En cas de panne de courant, votre climatiseur fonctionnera aux réglages précédents lorsque le courant sera restauré.

Mise en marche du climatiseur portable



1. Sélectionner le mode. Voir "Mode".
2. Sélectionner la vitesse du ventilateur. Voir "Vitesse du ventilateur".
3. Sélectionner la température. Voir "Température".
4. Appuyer sur le bouton "Power" (alimentation) pour mettre le climatiseur en marche.



5. Lorsque le témoin lumineux STOP s'allume, cela signifie que le réservoir d'eau interne est rempli d'eau de condensation; le climatiseur s'éteint alors automatiquement. Voir "Entretien du climatiseur portable" pour des instructions sur la vidange du climatiseur.



Mode

1. Appuyer sur le bouton Mode jusqu'à l'apparition du témoin lumineux correspondant à la fonction désirée.



2. Sélectionner Cooling (refroidissement), Dehumidify (déshumidification) ou Fan Only (ventilateur seulement) ou chauffage (Heating) (uniquement APN12HJ).
 - Cooling (refroidissement)—Refroidit la pièce. Appuyer sur le bouton de vitesse du ventilateur pour sélectionner la vitesse High (élevée), Medium (moyenne) ou Low (basse). Appuyer sur les boutons "+" ou "-" pour régler la température.



- Dehumidify (déshumidification)—Assèche la pièce. La température est automatiquement sélectionnée par le climatiseur. Appuyer sur le bouton de vitesse du ventilateur pour sélectionner la vitesse High (élevée), Medium (moyenne) ou Low (basse).

REMARQUES :

- Le mode de déshumidification ne doit pas être utilisé pour refroidir la pièce.
- Pour réacheminer l'air chaud déshumidifié dans la pièce, ne pas installer de tuyau d'évacuation.
- Si la température de la pièce est inférieure ou égale à 77°F (25°C), la vitesse du ventilateur ne peut être réglée. Le ventilateur fonctionne alors seulement à la vitesse Low (basse).



- Fan Only (ventilateur seulement)—Seul le ventilateur fonctionne. Appuyer sur le bouton de vitesse du ventilateur pour sélectionner High (élevée), Medium (moyenne) ou Low (basse).

REMARQUE : Il n'est pas nécessaire de raccorder le tuyau d'évacuation.



- Mode chauffage - APN12HJ
 - Dans le mode de chauffage, le flux d'air est selectable. (Note: Chauffage est active seulement quand la temperature ambiante est au dessous de 80degrees F.)



Vitesse du ventilateur

1. Appuyer sur le bouton de vitesse du ventilateur pour sélectionner la vitesse du ventilateur.



2. Sélectionner High (élevée), Medium (moyenne) ou Low (basse).

- High—refroidissement maximum



- Medium—refroidissement normal



- Low—refroidissement minimum



Température

- Appuyer sur le bouton “+” pour augmenter la température.



- Appuyer sur le bouton “-” pour réduire la température.



REMARQUES :

- Au mode Fan Only (ventilation seulement) et Dehumidify (déshumidification), la température ne peut pas être réglée.

Minuterie différée

Pour régler la minuterie pour une mise en différé de 1 à 24 heures jusqu'à ce que le climatiseur s'arrête (le climatiseur doit être en marche) :

1. Appuyer sur le bouton de la minuterie.



2. Appuyer sur le bouton “+” ou “-” pour modifier la durée de mise en différé (de 1 à 24 heures).
3. La durée de mise en différé s'affiche.



Pour régler la minuterie pour une mise en différé de 1 à 24 heures jusqu'à ce que le climatiseur se mette en marche :

1. Arrêter le climatiseur.
2. Appuyer sur le bouton de la minuterie.
3. Appuyer sur le bouton “+” ou “-” pour modifier la durée de mise en différé (de 1 à 24 heures).
4. La durée de mise en différé s'affiche.

Pour effacer le programme de minuterie différée :

REMARQUE : Le climatiseur peut être soit en marche, soit arrêté.

1. Appuyer sur le bouton de la minuterie.
2. Appuyer sur le bouton “-” jusqu'à ce que l'affichage de la minuterie disparaisse.

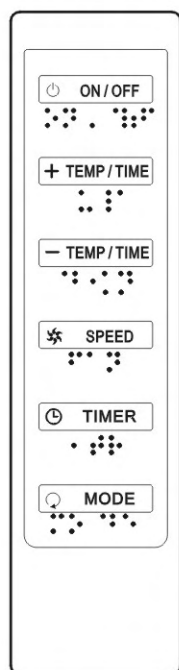
Pour modifier le temps restant (en heures) :

1. Appuyer sur le bouton de la minuterie.
2. Appuyer sur le bouton “+” ou “-” pour modifier la durée de mise en différé (de 1 à 24 heures).
3. La nouvelle durée de mise en différé s'affiche.

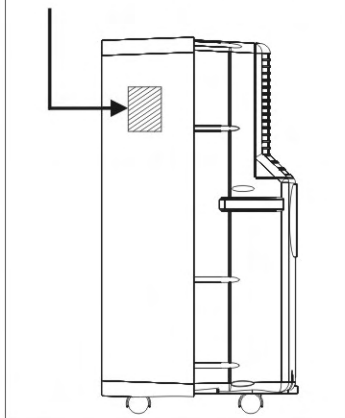


Utilisation de la télécommande MAGNASTORE *

NOTE : La télécommande MAGNASTORE peut différer en apparence. **BRAILLE** pour les malvoyants



La télécommande MAGNASTORE s'attache au côté de votre climatiseur à l'aide d'un aimant, où le contour l'indique.

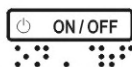


NOTES :

- 2 piles AAA (incluses) alimentent la télécommande MAGNASTORE. Remplacez les piles après 6 mois d'usage ou lorsque la télécommande MAGNASTORE commence à manquer d'énergie.
- Pour faire fonctionner le climatiseur à l'aide de la télécommande MAGNASTORE, pointez la télécommande MAGNASTORE au récepteur de signal à moins de 23pi (7m) de loin.

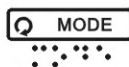
Allumer ou Éteindre

Appuyez sur le bouton ON/OFF



Mode

1. Appuyez sur le bouton Mode jusqu'à ce que le symbole du mode désiré s'illumine.



2. Choisissez le mode Cooling (rafraichir), Dehumidify (déhumidifier) ou Fan Only (ventilateur seulement) ou chauffage (Heating) (uniquement APN12HJ).

- Cooling – Rafraichit la pièce. Appuyez sur le bouton Fan Speed pour sélectionner la vitesse du ventilateur, soit, High, Medium ou Low. Appuyez sur la flèche montante ou descendante pour ajuster la température.



- Dehumidify – Assèche la pièce. Le climatiseur choisit automatiquement la température. Appuyez sur le bouton Fan Speed pour sélectionner la vitesse du ventilateur, soit High, Medium ou Low.

NOTES :

- Le mode Dehumidify ne devrait être utilisé pour rafraichir la pièce.
- Pour retourner l'air chaud déshumidifié à la pièce, n'installez pas le tuyau d'échappement d'air.
- Si la température ambiante est de 77°F (25°C) ou moins, la vitesse du ventilateur ne peut être modifiée. Le ventilateur fonctionne à Low seulement.



- Fan Only – Seulement le ventilateur fonctionne. Appuyez sur le bouton Fan Speed pour sélectionner la vitesse du ventilateur, soit High, Medium ou Low. **NOTE :** Le tuyau d'échappement d'air n'a pas besoin d'être connecté

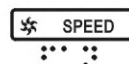


- Mode chauffage - APN12HJ
 - Dans le mode de chauffage, le flux d'air est selectable. (Note: Chauffage est active seulement quand la température ambiante est au dessous de 80degrees F.)



Vitesse du ventilateur

1. Appuyez sur le bouton Fan Speed jusqu'à ce que le symbole de la vitesse désiré s'illumine.



2. Choisissez High, Medium ou Low.

- High – Pour un refroidissement maximum



- Medium – Pour un refroidissement normal

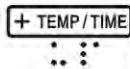


- Low – Pour un refroidissement minimum

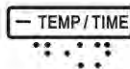


Température

- Appuyez sur la flèche qui monte pour augmenter la température



- Appuyez sur la flèche qui descend pour diminuer la température



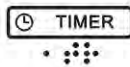
NOTES :

- En mode Fan Only (ventilateur seulement), la température ne peut être réglée.

Minuterie

Pour régler la minuterie pour que le climatiseur s'éteigne dans les prochaines 1 à 24 heures (le climatiseur doit être en marche) :

1. Appuyez sur le bouton Timer



2. Appuyez sur le bouton + ou – pour changer le nombre d'heures de 1 à 24.
3. Le temps restant sera affiché.



Pour régler la minuterie pour que le climatiseur s'allume dans les prochaines 1 à 24 heures :

1. Éteindre le climatiseur.
2. Appuyez sur le bouton Timer.
3. Appuyez sur le bouton + ou – pour changer le nombre d'heures de 1 à 24.
4. Le temps restant sera affiché.

Pour annuler la minuterie :

NOTE : Le climatiseur peut être éteint ou allumé.

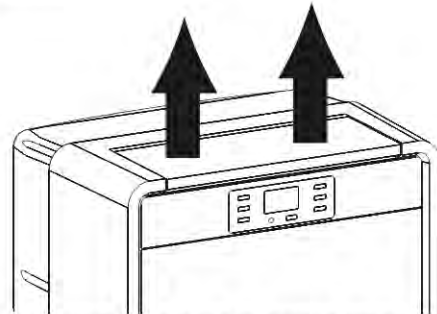
1. Appuyez sur le bouton Timer.
2. Appuyez et tenir le bouton moins (-) jusqu'à ce que l'affichage de minuterie s'efface.

Pour changer le temps restant (en heures) :

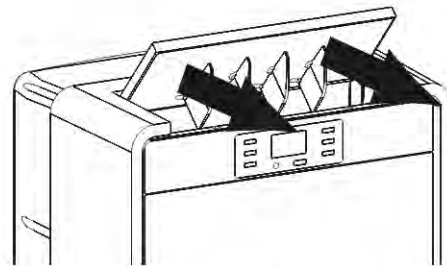
1. Appuyez sur le bouton Timer.
2. Appuyez sur le bouton + ou – pour changer le nombre d'heures de 1 à 24.
3. Le nouveau temps restant sera affiché.

Changement de la direction de l'air

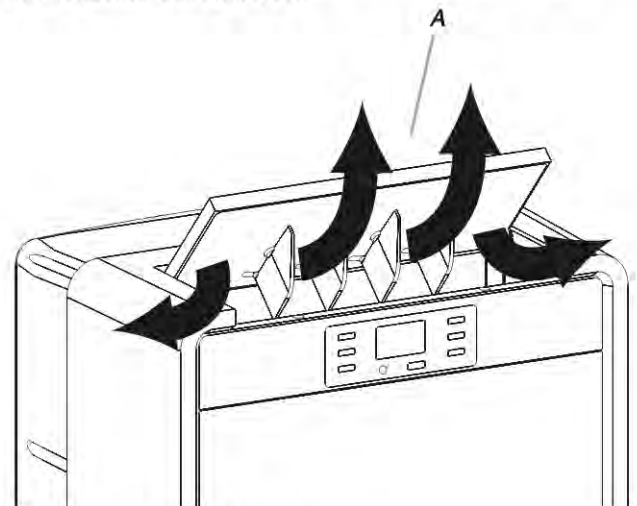
Utilisez le control manuel de la direction de l'air sur le dessus du climatiseur portable pour sélectionner la direction de l'air. Sélectionnez la position du bas pour diriger l'air tout droit vers le haut de la pièce.



Faire pivoter les volets pour ouvrir la position pleinement pour diriger l'air à l'horizontale et à la verticale dans la pièce. Utilisez la languette pour ajuster la direction de l'air de droite à gauche.



Faire pivoter les volets d'une position vers le haut pour diriger l'air à l'horizontal dans la pièce.



A. Languette

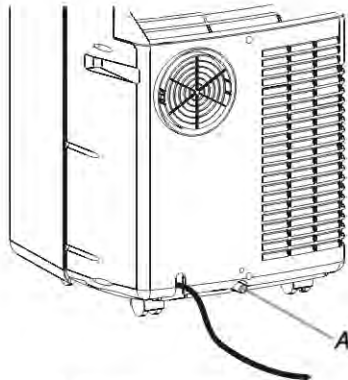
Sons normaux

Lorsque le climatiseur fonctionne normalement, on peut percevoir certains sons comme :

- Mouvements de l'air sous l'effet du ventilateur.
- Déclics émis par le thermostat.
- Vibrations ou bruits imputables à une construction médiocre du mur ou de la fenêtre.
- Bourdonnement à fréquence élevée ou pulsations causés par le compresseur moderne à haute efficacité qui se met en marche et s'arrête de façon intermittente.

ENTRETIEN DU CLIMATISEUR PORTATIF

Vidange du climatiseur



A. Bouchon de vidange

⚠ AVERTISSEMENT

Risque du poids excessif

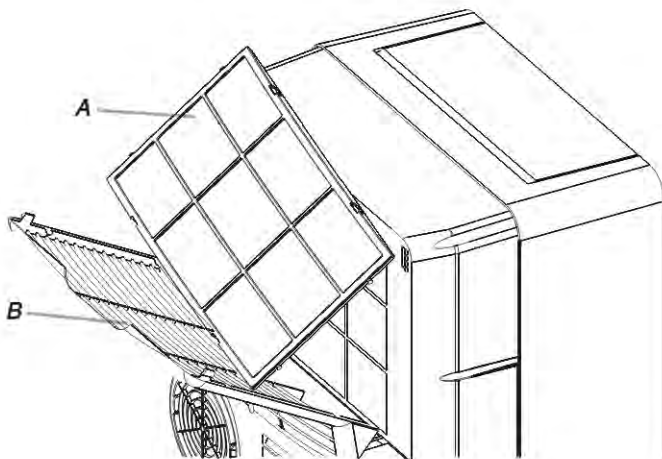
Utiliser deux ou plus de personnes pour déplacer et installer le climatiseur.

Le non-respect de cette instruction peut causer une blessure au dos ou d'autre blessure.

1. Appuyer sur le bouton de Power (alimentation) pour arrêter le climatiseur.
2. Débrancher le climatiseur ou déconnecter la source de courant électrique.
3. Déplacer le climatiseur au lieu de vidange ou à l'extérieur.
4. Ôter le bouchon de vidange en caoutchouc et laisser l'eau s'écouler du climatiseur.
5. Réinstaller le bouchon de vidange.
6. Remettre en place le climatiseur.
7. Brancher le climatiseur ou reconnecter la source de courant électrique.
8. Appuyer sur le bouton de Power (alimentation) pour mettre le climatiseur en marche.

Nettoyage du filtre à air

1. Appuyer sur le bouton de Power (alimentation) pour arrêter le climatiseur.
2. Ouvrir le panneau du filtre et retirer le filtre.
3. Nettoyer le filtre à air à l'aspirateur. Si le filtre est très sale, le laver avec de l'eau tiède et un détergent doux.
REMARQUE : Ne pas laver le filtre à air au lave-vaisselle ni utiliser de produit nettoyant chimique.
4. Faire sécher parfaitement le filtre à air avant de le réinstaller, afin d'assurer une efficacité maximale.
5. Remettre le filtre sur le panneau.
6. Fermer le panneau du filtre.
7. Appuyer sur le bouton de Power (alimentation) pour mettre le climatiseur en marche.



A. Filtre à air
B. Panneau du filtre

Nettoyage de la partie extérieure

1. Débrancher le climatiseur ou déconnecter la source de courant électrique.
2. Enlever le filtre à air pour le nettoyer séparément. Voir "Nettoyage du filtre à air".
3. Nettoyer la partie extérieure avec un chiffon doux humide.
4. Brancher le climatiseur ou reconnecter la source de courant électrique.
5. Appuyer sur le bouton de Power (alimentation) pour mettre le climatiseur en marche.

Remisage après utilisation

1. Retirer le bouchon de vidange et évacuer l'eau complètement.
2. Faire fonctionner le climatiseur avec le ventilateur seulement pendant environ 12 heures pour sécher le climatiseur.
3. Débrancher le climatiseur.
4. Ôter le tuyau d'évacuation souple et le remettre avec le climatiseur dans un endroit propre et sec. Voir les "Instructions d'installation".
5. Pour remettre l'ensemble coulissant pour fenêtre, installer les couvercles de filtre d'adaptateur sur les filtres d'adaptateur. Voir "Pièces fournies" dans "Outillage et pièces".
6. Retirer l'ensemble pour fenêtre et le remettre avec le climatiseur dans un endroit propre et sec. Voir les "Instructions d'installation".
7. Ôter le filtre et le nettoyer. Voir "Nettoyage du filtre à air".
8. Nettoyer la partie extérieure du climatiseur. Voir "Nettoyage de la partie extérieure".
9. Réinstaller le filtre.
10. Retirer les piles de la télécommande.
11. Remiser la télécommande avec le climatiseur dans un endroit propre et sec.

DÉPANNAGE

Avant de faire un appel de service, essayez les suggestions ci-dessous pour déterminer si vous pouvez résoudre votre problème sans aide extérieure.

Le climatiseur ne fonctionne pas

⚠ AVERTISSEMENT



Risque de choc électrique

Brancher sur une prise à 3 alvéoles reliée à la terre.

Ne pas enlever la broche de liaison à la terre.

Ne pas utiliser un adaptateur.

Ne pas utiliser un câble de rallonge.

Le non-respect de ces instructions peut causer un décès, un incendie ou un choc électrique.

- **Le cordon d'alimentation est débranché.** Brancher sur une prise à 3 alvéoles reliée à la terre. Voir "Spécifications électriques".
- **Vous utilisez des fusibles temporisés ou un disjoncteur de capacité inappropriée.** Installer un fusible temporisé ou un disjoncteur de capacité correcte. Voir "Spécifications électriques".
- **Le cordon d'alimentation se déclenche (le bouton Reset s'éjecte).** Appuyer sur RESET et relâcher (un déclic est émis, le bouton Reset s'enclenche et reste enfoncé) pour reprendre le fonctionnement.
- **Un fusible est grillé ou un disjoncteur s'est déclenché.** Remplacer le fusible ou réarmer le disjoncteur. Voir "Spécifications électriques".
- **Le bouton d'alimentation Power n'a pas été enfoncé.** Appuyer sur POWER.
- **Il y a une panne d'électricité locale.** Attendre le rétablissement du courant.

Le climatiseur fait griller les fusibles ou déclenche les disjoncteurs

- **Trop d'appareils sont branchés sur le même circuit.** Débrancher ou déplacer les appareils qui se trouvent sur le même circuit.
- **Vous essayez de remettre le climatiseur en marche trop tôt après l'arrêt du climatiseur.** Attendre au moins 3 minutes après l'arrêt du climatiseur avant de tenter une nouvelle mise en marche.
- **Vous avez changé de mode.** Attendre au moins 3 minutes après l'arrêt du climatiseur avant de tenter une nouvelle mise en marche.

Le cordon d'alimentation du climatiseur se déclenche (le bouton Reset s'éjecte)

- **Des perturbations au niveau du courant électrique peuvent déclencher (le bouton Reset s'éjecte) le cordon d'alimentation.** Appuyer sur RESET et relâcher (un déclic est émis, le bouton Reset s'enclenche et reste enfoncé) pour reprendre le fonctionnement.
- **Une surcharge électrique, une surchauffe, un resserrement ou l'usure peuvent déclencher (le bouton Reset s'éjecte) le cordon d'alimentation.** Après avoir corrigé le problème, appuyer sur RESET et relâcher (un déclic est émis, le bouton Reset s'enclenche et reste enfoncé) pour reprendre le fonctionnement. Si le cordon d'alimentation ne permet pas la remise en marche, contacter un technicien.

REMARQUE : Un cordon d'alimentation endommagé ne doit pas être réparé mais remplacé par un neuf que l'on peut se procurer auprès du fabricant du produit.

Le climatiseur semble fonctionner excessivement

- **Y a-t-il une porte ou une fenêtre ouverte?** Garder les portes et les fenêtres fermées.
- **Ce climatiseur remplace un modèle ancien.** Du fait de l'utilisation de composants plus efficaces, il est possible que le climatiseur fonctionne pendant de plus longues périodes que l'ancien modèle, mais la consommation totale d'énergie sera moindre. Les nouveaux climatiseurs ne projettent pas un puissant jet d'air froid comme les anciens modèles, mais ceci n'indique pas une réduction de la capacité de refroidissement ou de l'efficacité. Se référer à l'indice d'efficacité (EER) et l'indice de capacité (en Btu/h) indiqués sur le climatiseur.
- **Le climatiseur est installé dans une pièce chargée ou dans laquelle des appareils générateurs de chaleur sont installés.** Utiliser des ventilateurs d'évacuation d'air pendant les opérations de cuisson ou les bains, et essayer de ne pas utiliser d'appareil générateur de chaleur pendant les périodes les plus chaudes de la journée. Les climatiseurs portatifs sont conçus comme un dispositif supplémentaire de refroidissement de zones locales dans une même pièce. Il est peut être nécessaire de choisir un climatiseur de plus grande capacité, selon la taille de la pièce à refroidir.

Le climatiseur fonctionne pendant une courte durée seulement, mais la pièce n'est pas refroidie

- **La température réglée est trop proche de la température ambiante.** Réduire la température. Voir "Utilisation du climatiseur portatif".

Le climatiseur fonctionne, mais ne refroidit pas

- **Le filtre est sale ou obstrué par des débris.** Nettoyer le filtre.
- **La sortie d'air est bloquée.** Dégager la sortie d'air.
- **La température réglée est trop élevée.** Réduire la température réglée.

Le climatiseur s'allume et s'éteint trop fréquemment

- **La taille du climatiseur n'est pas appropriée à la pièce.** Vérifier la capacité de refroidissement de votre climatiseur portatif. Les climatiseurs portatifs sont conçus pour refroidir des zones locales dans une même pièce.
- **Le filtre est sale ou obstrué par des débris.** Nettoyer le filtre.
- **Il y a une quantité excessive de chaleur ou d'humidité (cuisson dans des récipients sans couvercle, douches, etc.) dans la pièce.** Utiliser un ventilateur pour évacuer la chaleur ou l'humidité de la pièce. Essayer de ne pas utiliser d'appareil générateur de chaleur pendant les périodes les plus chaudes de la journée.
- **Les persiennes sont obstruées.** Installer le climatiseur dans un endroit où les persiennes ne sont pas obstruées par des rideaux, stores, meubles, etc.
- **La température extérieure est inférieure à 64°F (18°C).** Ne pas essayer de faire fonctionner le climatiseur au mode de refroidissement lorsque la température extérieure est inférieure à 64°F (18°C).

ASSISTANCE OU SERVICE

Avant de faire un appel pour assistance ou service, consulter la section "Dépannage". Ce guide peut vous faire économiser le coût d'une visite de service. Si vous avez encore besoin d'aide, suivre les instructions ci-dessous.

Lors d'un appel, veuillez connaître la date d'achat, le numéro de modèle et le numéro de série au complet de l'appareil. Ces renseignements nous aideront à mieux répondre à votre demande.

Si vous avez besoin de pièces de rechange

Si vous avez besoin de commander des pièces de rechange, nous vous recommandons d'employer uniquement des pièces de rechange spécifiées par l'usine. Les pièces de rechange spécifiées par l'usine conviendront et fonctionneront bien parce qu'elles sont fabriquées avec la même précision utilisée dans la fabrication de chaque nouvel appareil.

Pour obtenir des pièces de rechange spécifiées par l'usine dans votre région, nous contacter ou appeler le Centre de service désigné le plus proche.

Veuillez inscrire les informations concernant votre modèle.

Vous devrez connaître le numéro de modèle et le numéro de série au complet lorsque vous appelez pour demander un service pour votre appareil. Vous pouvez trouver ces informations sur la plaque signalétique. La plaque signalétique est située sur le cabinet.

Veuillez inscrire ces informations ci-dessous (numéros de modèle et de série). Veuillez également inscrire la date d'achat de l'appareil et le nom, l'adresse et le numéro de téléphone du magasin.

Numéro de modèle _____

Numéro de série _____

Date d'achat _____

Nom du magasin _____

Adresse du magasin _____

Numéro de téléphone du magasin _____

Conservez ce manuel et votre reçu de vente ensemble pour consultation ultérieure.

Aux États-Unis

Téléphoner au Service à la clientèle sans frais d'interurbain au :
1-888-842-2440.

Nos consultants sont prêts à vous aider pour les questions suivantes :

- Caractéristiques et spécifications sur toute notre gamme d'appareils électroménagers.
- Renseignements d'installation.
- Procédés d'utilisation et d'entretien.
- Vente de pièces de rechange.
- Références aux distributeurs de pièces de rechange et compagnies de service. Les techniciens de service désignés sont formés pour effectuer les travaux de réparation sous garantie et le service après la garantie, partout aux États-Unis.

Pour plus d'assistance

Si vous avez besoin de plus d'assistance, vous pouvez soumettre par écrit toute question ou préoccupation à l'adresse suivante :

Haier America
1356 Broadway
New York, NY 10018

Dans votre correspondance veuillez indiquer un numéro de téléphone où on peut vous joindre dans la journée.

Au Canada

Veuillez appeler sans frais le Service à la clientèle au :
1-888-842-2440.

Nos consultants vous renseigneront sur les sujets suivants :

- Caractéristiques et spécifications sur toute notre gamme d'appareils électroménagers.
- Consignes d'utilisation et d'entretien.
- Ventes de pièces de rechange.
- Références aux distributeurs de pièces de rechange et aux compagnies de service. Les techniciens de service désignés sont formés pour remplir la garantie des produits et fournir un service après la garantie, partout au Canada.

Pour plus d'assistance

Si vous avez besoin de plus d'assistance, vous pouvez soumettre par écrit toute question ou préoccupation à l'adresse suivante :

Haier America
1356 Broadway
New York, NY 10018
U.S.A.

Veuillez inclure dans votre correspondance un numéro de téléphone où on peut vous joindre dans la journée.

GARANTIE LIMITÉE AMANA

GARANTIE LIMITÉE DE UN AN

Pendant une période de 12 mois à partir de la date d'achat, la présente garantie couvre l'ensemble des pièces mécaniques ou électriques contenues dans ce produit Amana (notamment les frais de main-d'œuvre) en cas de vice de matériau ou de fabrication. En cas d'usage commercial ou de location, la durée de la garantie est de 90 jours. Vous devez conserver et être en mesure de présenter votre reçu de vente original comme preuve de la date d'achat.

GARANTIE LIMITÉE DE CINQ ANS SUR LE SYSTÈME SCELLÉ

Le système scellé et le compresseur contenus dans ce produit Amana sont garantis pendant une période de 5 ans à partir de la date d'achat (frais de main-d'œuvre exclus à l'issue de la période initiale de 12 mois). En cas d'usage commercial ou de location, la durée de la garantie limitée supplémentaire sur le compresseur est de un an et 9 mois (frais de main-d'œuvre exclus à l'issue de la période initiale de 90 jours). Vous devez conserver et être en mesure de présenter votre reçu de vente original comme preuve de la date d'achat.

QUI BÉNÉFICIE DE LA GARANTIE

L'acheteur au détail original de ce produit Amana.

CE QUI SERA FAIT

Amana réparera ou remplacera toute pièce mécanique ou électrique ou le compresseur en cas de défaut avéré dans le cadre d'une utilisation domestique normale pendant une période de 12 mois. Amana réparera ou remplacera (frais de main-d'œuvre exclus) le système scellé et le compresseur (pièces uniquement) pendant une période supplémentaire de 4 ans.

COMMENT OBTENIR LES RÉPARATIONS

Communiquez avec un atelier de réparation agréé par le fabricant près de chez vous. Pour obtenir les coordonnées de l'atelier de réparation le plus proche, communiquez avec le service des climatiseurs individuels Amana au **1-888-842-2440**.

Toute réparation doit être effectuée par un atelier de réparation Amana agréé par le fabricant.

LA PRÉSENTE GARANTIE NE COUVRE PAS

1. Les dommages causés par une mauvaise installation.
2. Les dommages causés lors de l'expédition de la marchandise.
3. Les dommages causés par une utilisation malveillante ou abusive, un accident, une modification ou un défaut d'entretien.
4. Les dommages causés par une intervention effectuée par toute personne autre que le marchand autorisé ou un service de réparation agréé.
5. Les frais de main-d'œuvre, de service, de transport et d'expédition pour la dépose des pièces défectueuses et l'installation des pièces de remplacement au-delà de la période initiale de 12 mois.

LA PRÉSENTE GARANTIE LIMITÉE REMPLACE TOUTE GARANTIE, EXPRESSE OU IMPLICITE, NOTAMMENT LES GARANTIES DE QUALITÉ MARCHANDE OU D'APTITUDE À UN USAGE PARTICULIER.

Le recours accordé par la présente garantie constitue l'unique recours de l'acheteur. La présente garantie ne couvre pas les dommages fortuits ou indirects. Certains États ne permettent pas l'exclusion des dommages fortuits ou indirects; aussi cette limitation peut ne pas s'appliquer dans votre cas. Certains États ne permettent pas de limitation de la durée d'une garantie implicite; aussi la limitation ci-dessus peut ne pas s'appliquer dans votre cas. Cette garantie vous confère des droits juridiques spécifiques et vous pouvez également jouir d'autres droits qui peuvent varier d'un État à l'autre.

La présente garantie couvre les États-Unis, ses territoires et possessions et au Canada.

Pour d'autres renseignements sur autres Amana Chambre Air produits, appelez le service à la clientèle au : **1-888-842-2440**.

1/08

AC-9999-63

© 2010. All rights reserved.
Todos los derechos reservados.
Tous droits réservés.

®Registered Trademark/TM Trademark of Magtag Corporation or its related companies.
Manufactured under license by Haier America, New York, New York
® Marca registrada/TM Marca de comercio de Magtag Corporation o sus compañías asociadas.
Fabricado bajo licencia por Haier America, New York, New York
® Marque déposée/TM Marque de commerce de Magtag Corporation ou de ses compagnies affiliées.
Fabriqué sous licence par Haier America, New York, New York

1/10
Printed in China
Impreso en China
Imprimé en Chine