

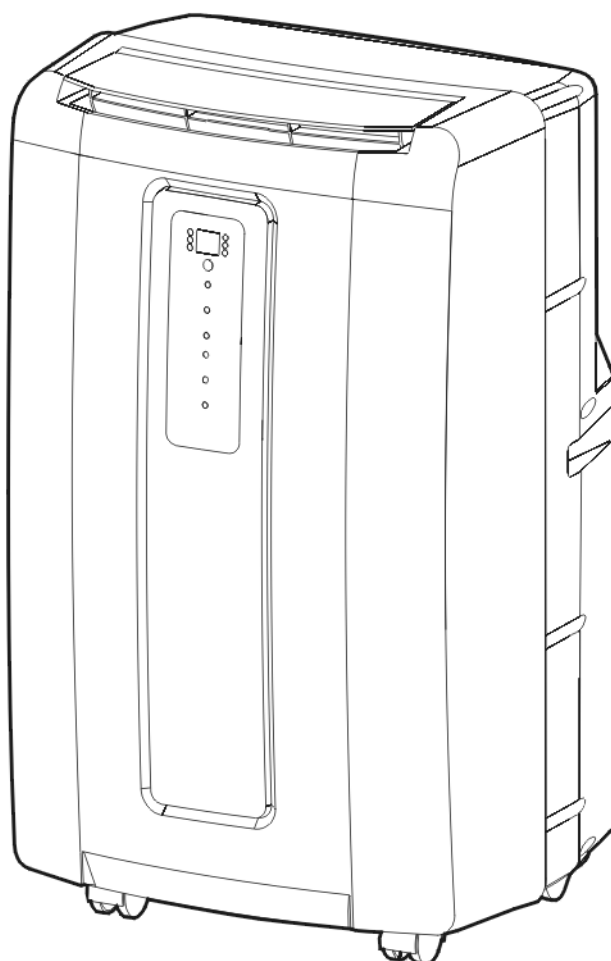


CommercialCool™

PORTABLE AIR CONDITIONER

CLIMATISEUR PORTATIF

ACONDICIONADOR DE AIRE PORTATIL



User Manual, Guide de l'Utilisateur, Manual del Usuario

CPF10XCL-LW, CPF11XCL-EW, CPF12XHL-EB, CPF12XCL-LB, CPF12XHL-LP

Before operating this air conditioner, please read these instructions completely.

Product Registration

Record Your Model and Serial Number.

Attach the sales receipt to this guide and keep for future reference. Model and serial number can be obtained from the serial label, which is on your air conditioner. For all your service calls during the warranty period, the following information will be needed:

Model Number:

Serial Number:

Date of Purchase:

Dealer's Name:

Dealer's Address:

Dealer's Phone Number:

SAFETY PRECAUTIONS



WARNING: Read all of the instructions before using this appliance. When using this appliance, always exercise basic safety precautions, including the following:

- 1) Air conditioner must be connected to proper electrical outlet with the correct electrical supply.
- 2) Proper grounding must be ensured to reduce the risk of shock and fire. **DO NOT CUT OR REMOVE THE GROUNDING PRONG.** If you do not have a three-prong electric receptacle outlet in the wall, have a certified electrician install the proper receptacle. The wall receptacle **MUST** be properly grounded.
- 3) Do not operate the air conditioner if the power cord is frayed or otherwise damaged. Avoid using it if there are cracks or abrasion damage along the length, plug connector or if the unit malfunctions or is damaged in any manner. Contact an authorized service technician for examination, repairs or adjustments.
- 4) **DO NOT USE AN ADAPTER OR AN EXTENSION CORD.**
- 5) Do not block airflow around the air conditioner. The exhaust hose should be free of any obstructions.
- 6) Always unplug the air conditioner before servicing it or moving it.
- 7) Do not install or use the air conditioner in any area where the atmosphere contains combustible gases or where the atmosphere is oily or sulphurous. Avoid any chemicals coming in contact with your air conditioner.
- 8) Do not place any object on the top of the unit.
- 9) Never operate the air conditioner without the filters in place.
- 10) Do not use the air conditioner near a bathtub, shower or wash basin.

SAVE THESE INSTRUCTIONS

CAUTION! If the air conditioner has been placed in a horizontal or tilted position for any period of time, wait 24 hours before plugging the unit in.

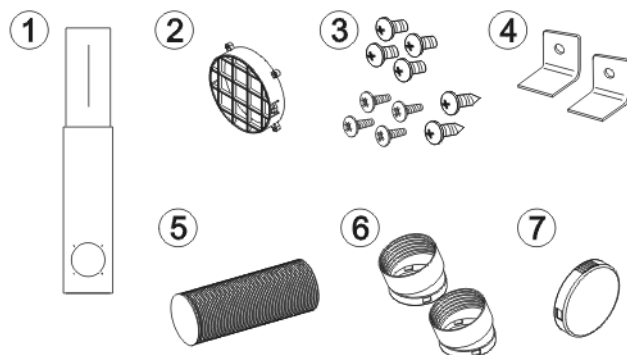
Important Instructions

- Please keep this manual in a safe place.
- Do not use liquid or a spray to clean this product. Use a damp cloth.
- Do not place the product in an insecure or elevated place as it may fall and cause damage or injury.
- Never spill liquid on the control panel; it may cause electrical shock to the electronic parts inside and disable them or cause them to function improperly.
- Never try to dismantle the product by yourself as this will void the warranty. Unsupervised dismantling and incorrect reassembly of the inside of the back cover may damage the electrical circuit and affect its performance. When maintenance is required, please contact the local service center or local distributor.

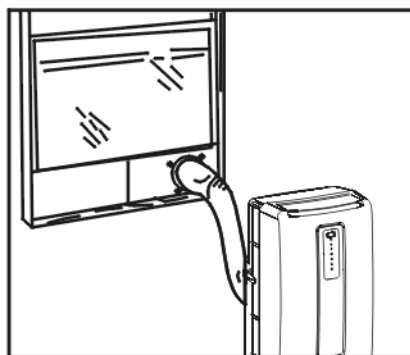
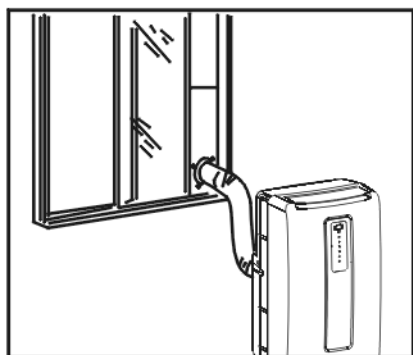
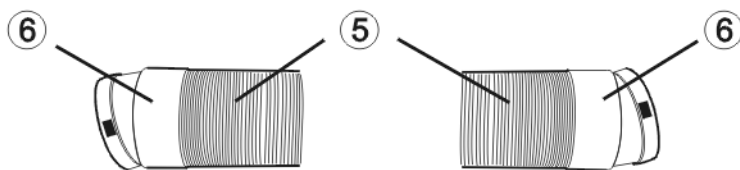
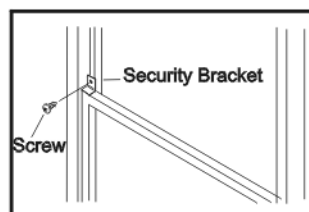
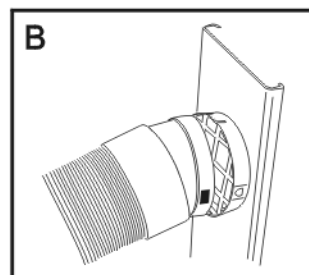
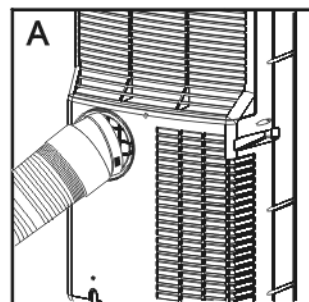
Assembly and Installation

Accessories Include

- | | |
|---|-----------|
| 1. Plastic panel - from 20" up to 46" | 3 pieces |
| 2. Window panel adaptor | 1 piece |
| 3. Screws | 10 pieces |
| 4. Bracket | 2 pieces |
| 5. Exhaust hose | 1 piece |
| 6. Hose connector | 2 pieces |
| 7. Cover | 1 piece |

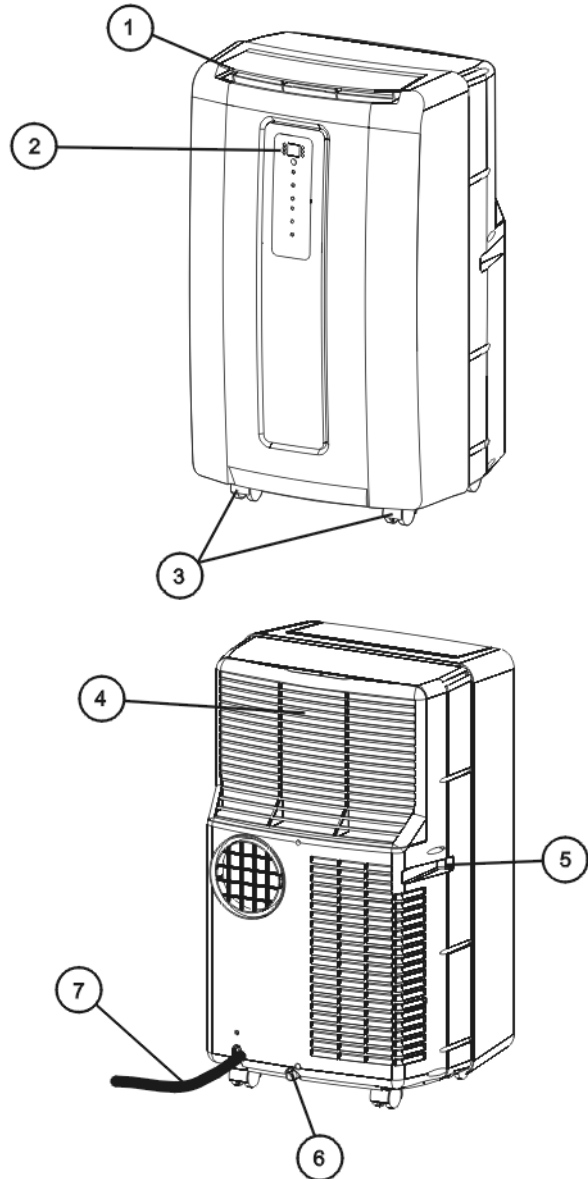


- 1) Connect the 3 pieces of the window panels by sliding the 2 shorter panels into the longest panel.
- 2) Adjust the window panels to fit the width or height of the window. Screw the 4 blunt screws into the holes to secure the shorter panels.
- 3) Secure the bracket to the window with one of the pointed screws provided. This prevents the window from being opened from the outside.
- 4) Attach the window panel adaptor to the largest window panel using the 4 enclosed pointed screws.
- 5) Expand the 2 ends of the exhaust hose. Connect a hose connector to each end of the hose by turning clockwise to create the hose assembly.
- 6) Insert one end of the hose assembly into the rear of the unit and turn clockwise.
- 7) Insert the other end of the exhaust hose assembly into the window panel adaptor on the window panel.
- 8) Plug the power cord into the wall outlet and press the "Reset" button.
- 9) Please allow 8" of space around the unit for proper air circulation.
- 10) When removing the portable air conditioner for storage, the window panel and bracket may be left in place. Simply place the cover over the window panel adaptor.

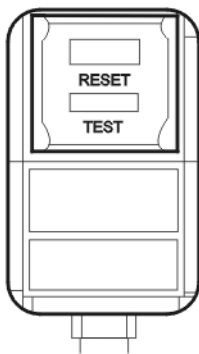


Parts and Features

1. Air Outlet
2. Control Panel
3. Casters
4. Air Filter
5. Handle
6. Water Drain
7. Power Cord



POWER CORD



TEST: When this button is pressed or when there is a current leak, the unit will not operate.

RESET: After resolving the problem, press the reset button to resume operation.

Operation

NOTE: Wait 24 hours before turning on the air conditioner if the unit has been tilted for any reason. This allows the oils and the coolants to settle and level off.

BEFORE USE

1. Use an 115V, 15Amp outlet for the air conditioner. Do not use any other electrical appliances on this line or you may trip the fuse. Use a dedicated line for this air conditioner.
2. Do not place the air conditioner in direct sunlight or close to any heating appliances (ie., baseboard heaters, stoves, etc.)
3. Operate on a flat surface only.
4. Keep the unit free of any obstructions such as drapes, curtains, blinds, etc.
5. Keep unit at least 1 foot away from the wall.

DURING USE

1. When turning on the unit for the first time after plugging it into an electrical outlet, the unit will start in a high fan cooling mode. The temperature display on the LED will show the current room temperature. When turning on the unit during regular usage, it will remember the last setting used. If you want to operate the air conditioner as a dehumidifier, then adjust to dehumidification mode.
2. After a normal shut down, wait for 3 minutes before restarting the unit so as to complete the compressor cycle.
3. In cooling mode, this portable air conditioner should not require water to be removed. The unit has a unique design which continuously evaporates the water. In heating mode, or when the unit is operated in high humidity conditions, you may need to empty the water tank periodically. The unit will shut down automatically when the water tank is full and the "Tank Full" warning light will turn on.
4. To empty the water tank: Place a shallow pan (not included) below the lower drain located on the back of the unit (near the bottom of the air conditioner), remove plug, and drain the water tank completely. Re-insert the drain plug. You will then be able to restart your portable air conditioner.
5. Check and clean the filter once every week for highest efficiency.
NOTE: Do not operate unit without filter.

AFTER USE

If the unit is not being used for a long period of time, drain the water from the water tank. Please see step 4 of the "During Use" section above for more information.

Control Panel Operation

① Power On / Off

② Mode: Press this button to change the operation mode.

Cool: Blue LED lights when in cooling mode.

Dehumidification: Yellow LED lights when in dehumidification mode.

Fan: Green LED lights when in fan mode.

Heat: Red LED lights when in heat mode (applies only to heat and cool models).

③ Fan Speeds: There are 3 speeds in the cool and fan

modes: Low, Medium, High.

In the dehumidification mode, the fan will only operate at low speed.

④ On / Off Timer: The timer can be used to automatically turn on or off the air conditioner.

To automatically turn on the air conditioner, set the timer while the power control is in the OFF position.

1. Turn off the air conditioner.

2. Press the Timer button.

3. Press the (▲) or (▼) button to change the delay start time from 1 to 24 hours.

4. The delay start time will display on the control panel.

To automatically turn off the air conditioner, set the timer while the power control is in the ON position.

1. Turn on the air conditioner.

2. Press the Timer button.

3. Press the (▲) or (▼) button to change the delay stop time from 1 to 24 hours.

4. The delay stop time will display on the control panel.

To clear the timer setting:

1. The power control can be either in the on or off position.

2. Press the Timer button.

3. Press and hold the (▼) button until the timer display has been cleared.

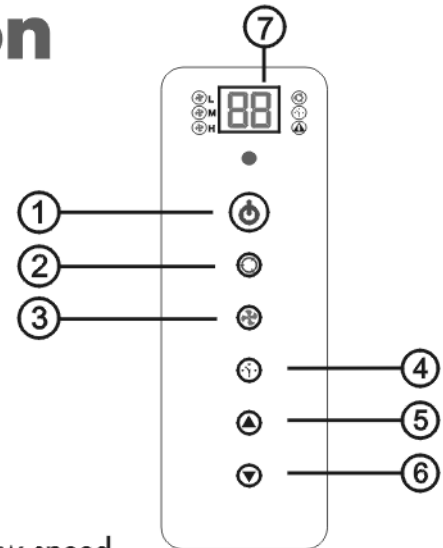
⑤ Time / Temperature Set Control: The (▲) and (▼) buttons can be used for adjusting the timer and temperature settings.

⑥ To set the timer: See "On / Off Timer" instructions above.

To set the temperature: While in the Cool mode, press the (▲) or (▼) button to raise or lower the temperature. The set temperature is displayed and may be adjusted. The temperature can be set between 61° F and 89° F (Cool mode) and 61° F to 80° F (Heat mode). After 15 seconds the display will revert back to the room temperature.

NOTE: The temperature cannot be adjusted in the fan or dehumidification modes.

⑦ When the red indicator (on the right top side beside LED display) flashes, the internal water tank has filled with condensed water and the air conditioner will turn off automatically. See the "Storage" section for directions on draining the water from the air conditioner.



Remote Control Operation

① Power On / Off

② Mode

Cool: Blue LED lights when in cooling mode.

Dehumidification: Yellow LED lights when in dehumidification mode.

Fan: Green LED lights when in fan mode.

Heat: Red LED lights when in heat mode (applies only to heat and cool models).

③ Fan Speeds

There are 3 adjustable speeds in the cool and fan mode: Low, Medium and High. In dehumidification mode, and room temperature is greater than 77°F, fan speed can be adjusted; otherwise fan speed is fixed to "low."

④ On / Off Timer

To set the Timer for a 1 to 24-hour delay until the air conditioner turns off:

1. When you use the timer setting button while the unit is operating, you can preset a time for the unit to turn off.
2. When you use the timer setting button while the unit is on standby, you can present a time for the unit to turn on.
3. If you press the "ON/OFF" button, the preset timer function will be cancelled.
4. Timer setting range is 1~24 hours.

To clear Timer Delay program:



NOTE: Air conditioner can be either on or off.

1. Press the Timer button.
2. Press and hold the minus button until the timer display has cleared.

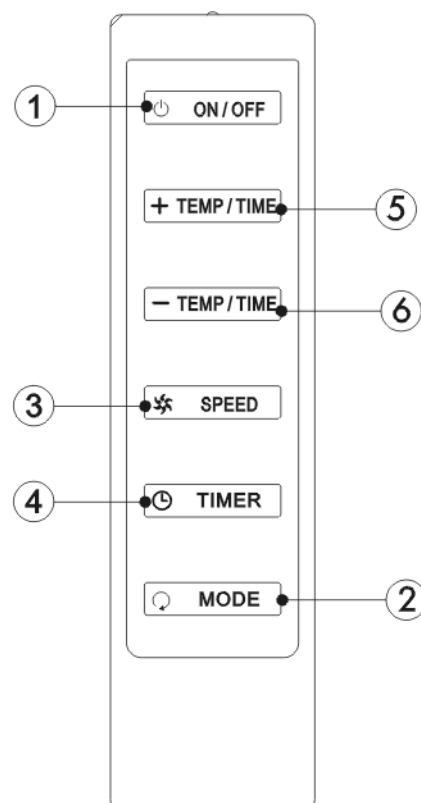
To change the remaining time (in hours):

1. Press the Timer button.
2. Press the plus or minus button to change the delay time from 1 to 24 hours.
3. The new delay time will display.

⑤ ⑥ Setting the Temperature

To set the temperature, press the  or  key to raise or lower the temperature. The temperature can be raised or lowered in the cool mode. The temperature cannot be adjusted in fan or dehumidification mode.

NOTE: The temperature can be set between 61°F to 89°F (Cool mode) and 61°F to 80°F (Heat mode).



⚠ WARNING: Batteries can explode, or leak, and can cause injury or fire.

To reduce the risk:

Carefully follow all instructions and warnings on the battery label and packaging. Always insert batteries correctly with regard to polarity (+ and -) marked on the battery and the equipment.

Do not short battery terminals.

Do not charge batteries.

Do not mix old and new batteries.

Replace all of them at the same time with new batteries of the same brand and type.

Remove dead batteries immediately and dispose of per local codes.

Do not dispose of batteries in re.

Keep batteries out of the reach of children.

Remove batteries if the device will not be used for several months.

Care and Cleaning Guide

- Always unplug your air conditioner before cleaning.
- Air filter needs to be cleaned at least once a week for your unit to operate at optimum efficiency. Slide out the filter from the back by pulling on the tab. The filter may be washed or vacuumed. Remove the excess water from the filter by gently shaking the filter. This will remove dust and particles trapped in the filter. After cleaning, reinstall the filter. **DO NOT** use your air conditioner without the air filter in place.
- To clean the cabinet, **DO NOT** use harsh chemicals, abrasives, ammonia, chlorine, bleach, concentrated detergents, solvents or metal scouring pads. Some of these chemicals may dissolve, damage and/or discolor your air conditioner.
- Always use a soft cloth dampened with water or a mild soap and water solution to wipe the front of the cabinet. Wipe dry with a soft cloth.

Storage

- To store your air conditioner when not being used for a long period of time, drain the water tank as described on page 6 under the "During Use" section, step 4. Remove exhaust hose, clean the filters, cover with plastic bag and store away.

Troubleshooting

If air conditioner does not operate:

- Check if unit is plugged in. The plug may have come loose.
- Press "Reset" button on the plug to resume operation.
- Check if the electrical wall receptacle is the proper voltage.
- Check if the circuit breaker needs to be reset or if the fuse needs to be replaced.
- Check if the unit is in "Off" mode.
- If the warning light is on, drain the water drain pipe by removing the plug.

Air conditioner working but room not cooling:

- Room may have appliances that produce heat. Use an exhaust fan to remove excess heat.
- Check exhaust hose for proper installation.
- Redirect the airflow. Remove any obstacles.
- All doors and windows need to be closed so that cool air does not escape the room.
- Air filter may be blocked or may need cleaning.
- Unit BTU may be too low for the required cooling area.
- On extremely hot & humid days, air conditioners may take a little longer to cool.
- Drain the water drain pipe by removing the plug.
- Unit may be in fan or dry mode. Put air conditioner in cool mode.

Tank Full Warning Light Is On:

- Unit will shut down when the water pan is full. This condition may occur either when the unit is operated in high humidity conditions, or when the unit is operated in HEAT MODE, since the auto-evaporation function will not work in the heating mode. See instructions in the "Operation" section under "During use".

Limited Warranty

What is covered and for how long?

This warranty covers all defects in workmanship or materials for a period of:

- 1 year parts (carry in only)**
- 1 year labor (carry in only)**
- 5 years sealed system (carry in only)**

The warranty commences on the date the item was purchased and the original purchase receipt must be presented to the authorized service center before warranty repairs are rendered.

EXCEPTION: Commercial or Rental Use Warranty

- 90 days labor (carry-in only)**
- 90 days parts**
- No other warranty applies**

What is covered.

1. The mechanical and electrical parts, which serve as a functional, purpose of this appliance for a period of 1 year. This includes all parts except finish, and trim.
2. The components of the sealed system e.g. hermetic compressor, condenser and evaporator from manufacturing defects for a period of 5 years from the date of purchase. Any damages to such components caused by mechanical abuse or improper handling or shipping will not be covered.

What will be done?

1. We will repair or replace, at our discretion any mechanical or electrical part which proves to be defective in normal usage during the warranty period so specified.
2. There will be no charge to the purchaser for parts and labor on any covered items during the initial 1 year period. Beyond this period only parts are covered in the remaining warranty. Labor is not provided and must be paid by the customer.
3. Contact customer service:
1-877-337-3639.

THIS WARRANTY COVERS APPLIANCES WITHIN THE CONTINENTAL UNITED STATES, PUERTO RICO AND CANADA.

IT DOES NOT COVER THE FOLLOWING:

- Damages from improper installation.
- Damages in shipping.
- Defects other than manufacturing.
- Damage from misuse, abuse, accident, alteration, lack of proper care and maintenance or incorrect current or voltage.
- Damage from other than household use.
- Damage from service by other than an authorized dealer or service center.
- Decorative trims or replaceable light bulbs.
- Transportation and shipping.
- Labor (after the initial 1 year).

THIS LIMITED WARRANTY IS GIVEN IN LIEU OF ALL OTHER WARRANTIES, EXPRESSED OR, INCLUDING THE WARRANTIES OF MERCHANTABILITY AND FITNESS FOR A PARTICULAR PURPOSE

The remedy provided in this warranty is exclusive and is granted in lieu of all other remedies.

This warranty does not cover incidental or consequential damages, so the above limitations may not apply to you. Some States do not allow limitations on how long an implied warranty lasts, so the above limitations may not apply to you.

This warranty gives you specific legal rights, and you may have other rights, which vary, from state to state.

New York, NY 10018

Registration du Produit

Registrez le model et numero de serie.

Pour tous vos appels de service pendant la periode de votre garantie, les informations suivantes vous seront necessaries. Attachez le recu de ventes a ce guide et garder pour la reference d'avenir. Cette information peut etre obtenue de la plaque en serie, qui est sur votre climatiseur.

Numero du model:.....

Numero de serie:.....


Date d'achats:





Nom du negociant:

Addressed u negociant:

Numeros de telephone du negociant:.....

CONSIGNES DE SÉCURITÉ

 **AVERTISSEMENT:** Veuillez suivre ces précautions de base lorsque vous utilisez l'appareil afin de réduire tout risque d'incendie, d'électrocution, de blessure, voire de mort.

-  1) Le climatiseur doit être branché au niveau d'une prise électrique d'une tension adéquate. (voir tableau)
-  2) L'appareil doit être mis à la terre (masse) afin de réduire tout risque d'électrocution et d'incendie. **NE PAS COUPER NI RETIRER LA BROCHE DE MASSE.** Si votre prise murale ne peut accueillir une fiche à trois broches, veuillez faire en sorte qu'un électricien qualifié en installe une. La prise murale **DOIT** être mise à la masse.
-  3) Ne pas utiliser l'appareil si le cordon d'alimentation est effiloché ou fissuré, si la fiche et le connecteur sont endommagés, ou si l'appareil présente une panne ou est endommagé d'une façon quelconque.
-  4) **NE PAS UTILISER UN ADAPTATEUR OU UNE RALLONGE.**
- 5) Ne pas gêner ni bloquer le flux d'air autour de l'appareil et que rien ne bouche le tuyau de sortie.
- 6) Débrancher toujours le climatiseur avant de le déplacer ou d'effectuer opération de maintenance.
- 7) Ne pas installer le climatiseur dans un endroit où l'atmosphère est huileuse ou présente des gaz combustibles ou du soufre. Éviter que les produits chimiques entrent en contact avec le climatiseur.
- 8) Ne placer aucun objet sur le climatiseur.
- 9) Ne jamais utiliser le climatiseur sans les filtres.
- 10) Ne pas utiliser le climatiseur à proximité d'une baignoire, d'une douche ou d'un lavabo ou évier.

CONSERVEZ CES INSTRUCTIONS

ATTENTION: Si le climatiseur a été gardé sur son côté ou penché pendant un laps de temps, attendre 24 heures avant de brancher l'appareil.

Instructions Importantes

- Veuillez conserver ce manuel en lieu sûr.
- N'utilisez pas de liquide ou de spray pour nettoyer ce produit. Utilisez un chiffon humide.
- Ne placez pas ce produit dans un lieu peu sûr ou élevé car il peut tomber et causer des dommages ou des blessures.
- Ne renversez pas du liquide sur la télécommande, cela peut causer un choc électrique aux pièces électroniques à l'intérieur et les rendre inactives ou les faire fonctionner de façon incorrecte.
- N'essayez jamais de désassembler le produit vous-même. Un désassemblage sans supervision et un réassemblage incorrect de l'intérieur du couvercle arrière peut endommager le circuit électrique et peut avoir des conséquences sur ses performances. S'il y a un besoin de maintenance, veuillez contacter le centre de service local ou le distributeur local.

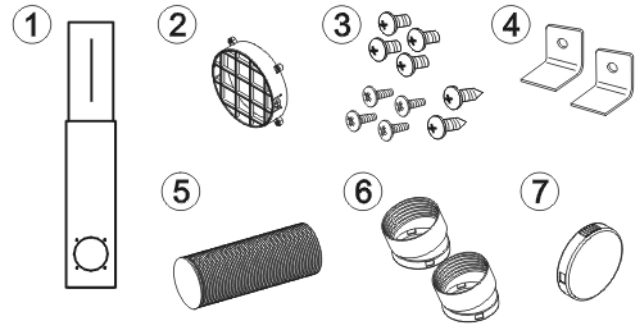
Avantages de ce Model

1. Design unique à double tuyau, fournissant un refroidissement plus puissant et plus rapide que le design à tuyau unique.
2. En mode refroidissement, le climatiseur mobile ne nécessite pas d'eau pour être enlevé L'appareil a un design unique qui s'évapore en permanence la eau.
3. Ce modèle est facile à faire fonctionner. Le tableau de commande électronique a une minuterie, un thermostat, trois vitesses de refroidissement, trois vitesses de ventilation et une vitesse pour la fonction déshumidification (sec).
4. Ce climatiseur portatif n'a pas besoin que de l'eau soit ajoutée.
5. Cette unité a un design unique qui évapore l'eau. Donc il n'y a pas de réservoir de condensation et pas besoin de vider un réservoir la nuit.
6. Un kit pour la fenêtre, facile à installer, est inclus, comprenant le tuyau d'évacuation, 2 buses de tuyau, le kit de panneau pour la fenêtre, le connecteur du tuyau d'évacuation et le couvercle pour le connecteur du tuyau d'évacuation.
7. Des roulettes entièrement directionnelles sont incluses pour aider à déplacer l'unité si besoin est.

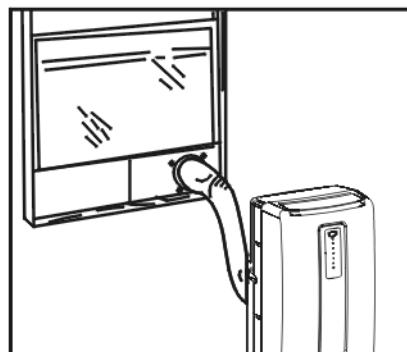
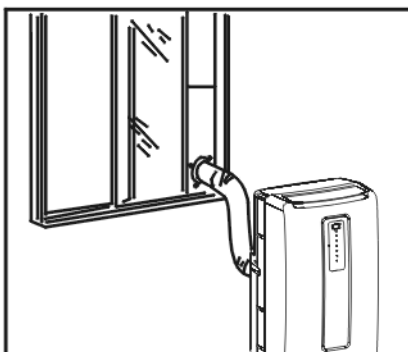
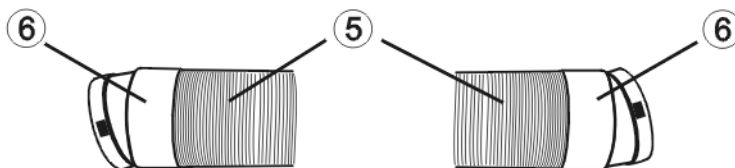
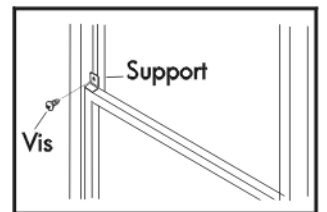
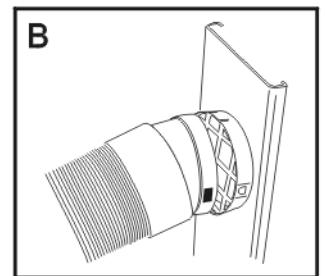
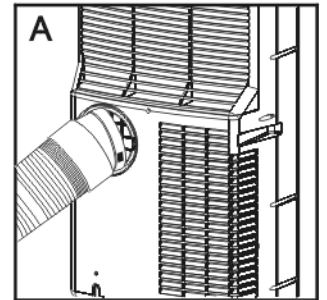
Assemblee et Installation

Les accessoires inclus

1. Panneau en plastique - De 20" jusqu' à 46" 3 pièces
2. Adaptateur du vitrage 1 pièce
3. Vis 10 pièces
4. Support 2 pièces
5. Tuyau d'évacuation 1 pièce
6. Connecteur du tuyau d'évacuation 2 pièces
7. Couvercle 1 pièce

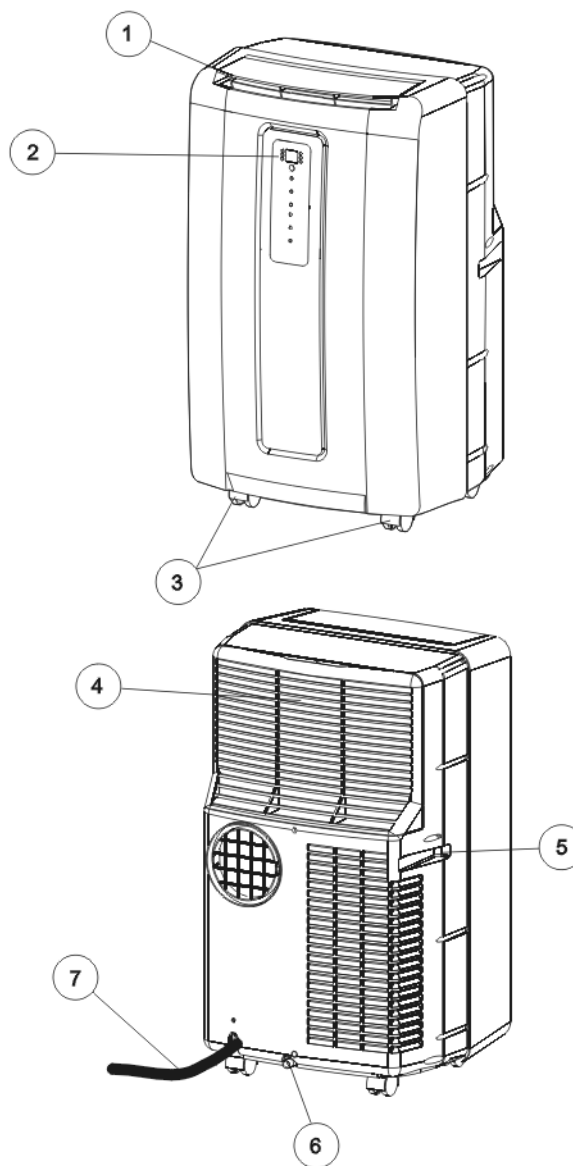


- 1) Connectez les trois pièces des panneaux de fenêtre en glissant les deux panneaux plus courts dans le panneau plus long.
- 2) Ajustez les panneaux de fenêtre pour qu'ils soient de la même largeur ou hauteur que la fenêtre. Vissez les 4 vis dans les trous pour fixer les panneaux plus courts.
- 3) Fixez le support à la fenêtre à l'aide d'une des vis pointues. Ceci empêche la fenêtre d'être ouverte de l'extérieur.
- 4) Attachez l'adaptateur de panneau de fenêtre au panneau le plus grand à l'aide des 4 vis pointues.
- 5) Rallongez les deux extrémités du tuyau d'échappement. Connectez le connecteur de tuyau à chaque extrémité en tournant dans le sens horaire pour créer l'assemblage du tuyau.
- 6) Insérez une extrémité de l'assemblage à l'arrière de l'appareil et tournez dans le sens horaire.
- 7) Insérez l'autre extrémité du tuyau d'échappement dans l'adaptateur du panneau de fenêtre sur celui-ci.
- 8) Branchez le fil d'alimentation dans la prise mural et appuyez sur le bouton « Reset ».
- 9) Laissez un espace de 8po autour de l'appareil pour assurer une circulation d'air adéquate.
- 10) Lors du rangement du climatiseur, le panneau de fenêtre et le support peuvent être laissé sur place. Placez simplement le couvercle sur l'adaptateur de panneau de fenêtre.

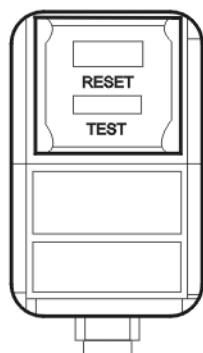


Parties et Caracteristiques

1. Bouche d'aération
2. Tableau de commande
3. Roulettes
4. Filtre à air
5. Poignée
6. Tuyau d'écoulement de l'eau
7. Cordon d'alimentation



CORDON D'ALIMENTATION



TEST: LORSQUE CE BOUTON EST APPUYÉ OU QUAND IL Y A UNE FUITE DE COURANT, L'APPAREIL NE FONCTIONNERA PAS.

RÉINITIALISATION: APRÈS AVOIR RÉGLÉ LE PROBLÈME, APPUYEZ SUR LE BOUTON DE RÉINITIALISATION POUR REPRENDRE LE FONCTIONNEMENT.

Fonctionnement

NOTE: Attendez 24 heures pour mettre le climatiseur en marche si l'appareil a été penché pour quelque raison que ce soit. C'est nécessaire pour que les huiles et les liquides de refroidissement se mettent en place et se stabiliser.

AVANT L'USAGE

1. Utilisez une prise de courant de 115v/15amp pour le climatiseur. N'utilisez pas d'autres appareils électriques sur cette ligne ou vous risquez de faire sauter le fusible. Utilisez une ligne dédiée à ce climatiseur.
2. Ne placez pas le climatiseur en contact direct avec la lumière du soleil ou près d'appareils de chauffage (comme les plinthes électriques, les cuisinières, etc.)
3. Faites uniquement fonctionner sur une surface plane.
4. Faites en sorte qu'il n'y ait pas d'obstruction de rideaux, drapés et les stores, etc.
5. Gardez l'appareil à une distance d'au moins 1 pied (30 cm) du mur.

LORS DE L'UTILISATION:

1. Quand vous allumez l'appareil pour la première fois après l'avoir branché dans une prise de courant, l'appareil commencera en mode de ventilation de refroidissement bas. La température qui sera affichée sur l'écran LED sera la température ambiante. Lorsque vous allumez l'appareil en usage normal, l'appareil se souviendra du dernier réglage utilisé. Si vous voulez faire fonctionner le climatiseur comme un déshumidificateur, réglez-le en mode déshumidification.
2. Après avoir éteint l'appareil normalement, attendez 3 minutes avant de le remettre en marche afin de terminer le cycle du compresseur.
3. En mode refroidissement, ce climatiseur portable ne devrait pas avoir besoin qu'on enlève d'eau. L'appareil à design unique évapore l'eau continuellement. En mode chauffage, ou lorsque l'appareil est utilisé dans des conditions très humides, il se peut que vous deviez vider le réservoir de temps à autres. L'appareil s'éteint automatiquement lorsque le réservoir est plein, et le témoin lumineux « Tank Full » s'allume.
4. Pour vider le réservoir: Placez un récipient peu profond (non inclus) sous le drain inférieur à l'arrière de l'appareil (près du bas du climatiseur), ôtez le bouchon, drainez l'eau complètement. Remettez le bouchon. Vous pourrez alors redémarrer votre climatiseur portable.
5. Vérifiez et nettoyez le filtre une fois par semaine pour une efficacité maximale.

NOTE: N'utilisez pas cet appareil sans filtre.

APRÈS USAGE:

Si l'appareil ne sera pas utilisé pour une longue période de temps, drainez l'eau du réservoir. Référez-vous à l'étape 4 de la section « Pendant l'utilisation » pour plus d'informations.

Fonctionnement tableau de commande

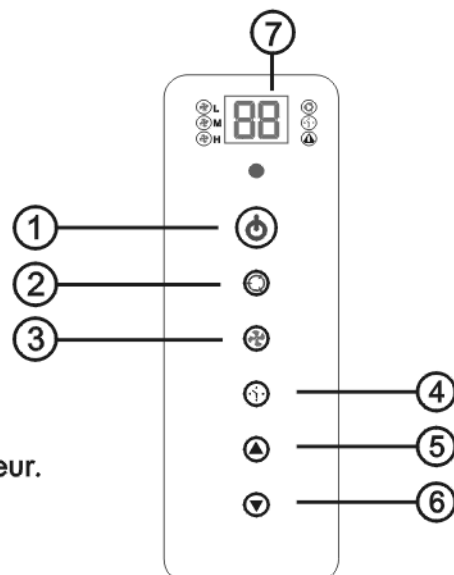
① Marche/Arrêt

② Mode: Appuyez sur le bouton mode pour le réglage désiré. **Refroidissement:** Bleu LED s'allume quand en mode de refroidissement.

Déshumidification: Jaune LED s'allume lorsqu'il est en mode déshumidification.

Ventilateur: Vert LED s'allume lorsqu'il est en mode ventilateur.

Chauffage: Red LED rouge en mode thermique (s'applique uniquement au modèle BPC12HJ).



③ Vitesses de ventilation Il y a 3 vitesses ajustables dans le mode refroidissement et ventilation: Low, Medium et High (Bas, Moyen et Fort). En mode déshumidification Si la température ambiante est supérieure à 25°C la vitesse du ventilateur peut être ajustée, sinon le ventilateur est fixé sur (Bas).

④ Marche/Arrêt de la minuterie

Pour régler la minuterie pour un arrêt différé entre 1h et 24 heures jusqu'à ce que le climatiseur ne s'éteigne:

1. Lorsque vous utilisez le bouton de réglage de la minuterie lorsque l'appareil est en marche vous pouvez prérégler l'heure à laquelle vous voulez que l'appareil s'arrête.
2. Lorsque vous utilisez le bouton de réglage de la minuterie lorsque l'appareil est en stand-by vous pouvez prérégler l'heure à laquelle vous voulez que l'appareil s'arrête.
3. Si vous appuyez sur le bouton «Marche/Arrêt» la fonction minuterie préréglée sera annulée.
4. La minuterie est comprise entre 1 et 24 heures.

Pour effacer le programme de Timer Delay:



NOTE: Le climatiseur peut être allumé ou éteint.

1. Appuyez sur le bouton Timer.
2. Appuyez et laissez votre doigt sur le bouton moins jusqu'à ce que la minuterie soit effacée.

Pour changer la durée restante (en heures):

1. Appuyez sur le bouton Timer.
2. Appuyez sur les boutons plus ou moins pour changer temps différé d'1 jusqu'à 24 heures.
3. Le nouveau temps différé s'affiche




⑤ ⑥ Réglage de la température


Pour régler la température, appuyez sur la touche  ou la touche  pour augmenter ou diminuer la température. La température peut être augmentée ou diminuée dans le mode refroidissement. La température ne peut être ajustée en mode ventilation ou déshumidification. Appuyez sur 5 et 6 simultanément pour passer de °F à °C et vice-versa.

NOTE: La température peut être réglée entre 61°F (16°C) à 89°F (32°C) (Cool mode) & 61°F (16°C) à 80°F (27°C) (Heat mode).

⑦ Lorsque l'indicateur rouge (côté supérieur droit, près de l'affichage LED) clignote, le bac à eau interne s'est rempli d'eau condensée et le climatiseur s'éteint automatiquement. Voir la section « Entreposage » sur la page 10 pour les instructions sur comment vider l'eau du climatiseur.

Fonctionnement télécommande

- ①  **Marche/Arrêt**
- ②  **Mode:** Appuyez sur le bouton mode pour le réglage désiré.
Refroidissement: Bleu LED s'allume quand en mode de refroidissement.
Déshumidification: Jaune LED s'allume lorsqu'il est en mode déshumidification.
Ventilateur: Vert LED s'allume lorsqu'il est en mode ventilateur.
Chauffage: Red LED rouge en mode thermique (s'applique uniquement au modèle BPC12HJ).
- ③  **Vitesses de ventilation** Il y a 3 vitesses ajustables dans le mode refroidissement et ventilation: Low, Medium et High (Bas, Moyen et Fort). En mode déshumidification Si la température ambiante est supérieure à 25°C la vitesse du ventilateur peut être ajustée, sinon le ventilateur est fixé sur (Bas).

- ④  **Marche/Arrêt de la minuterie**
Pour régler la minuterie pour un arrêt différé entre 1h et 24 heures jusqu'à ce que le climatiseur ne s'éteigne:
1. Lorsque vous utilisez le bouton de réglage de la minuterie lorsque l'appareil est en marche vous pouvez pré-régler l'heure à laquelle vous voulez que l'appareil s'arrête.
 2. Lorsque vous utilisez le bouton de réglage de la minuterie lorsque l'appareil est en stand-by vous pouvez pré-régler l'heure à laquelle vous voulez que l'appareil s'arrête.
 3. Si vous appuyez sur le bouton «Marche/Arrêt» la fonction minuterie pré-réglée sera annulée.
 4. La minuterie est comprise entre 1 et 24 heures.

Pour effacer le programme de Timer Delay:



NOTE: Le climatiseur peut être allumé ou éteint.

1. Appuyez sur le bouton Timer.
2. Appuyez et laissez votre doigt sur le bouton moins jusqu'à ce que la minuterie soit effacée.

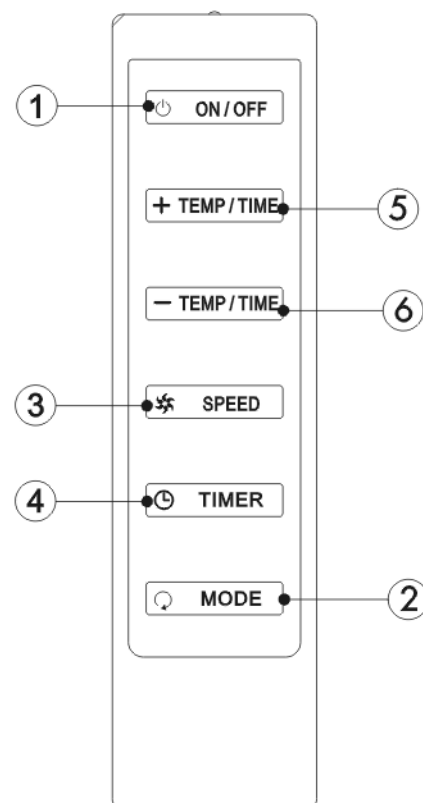
Pour changer la durée restante (en heures):

1. Appuyez sur le bouton Timer.
2. Appuyez sur les boutons plus ou moins pour changer temps différé d'1 jusqu'à 24 heures.
3. Le nouveau temps différé s'affiche

⑤ ⑥   **Réglage de la température**

Pour régler la température, appuyez sur la touche  ou la touche  pour augmenter ou diminuer la température. La température peut être augmentée ou diminuée dans le mode refroidissement. La température ne peut être ajustée en mode ventilation ou déshumidification. Appuyez sur 5 et 6 simultanément pour passer de °F à °C et vice-versa.

NOTE: La température peut être réglée entre 61°F (16°C) à 89°F (32°C) (Cool mode) & 61°F (16°C) à 80°F (27°C) (Heat mode).



Guide de Nettoyage et de Soins

- Debranchez toujours votre climatiseur avant de le nettoyer.
- Les filtres doivent être nettoyés au moins une fois par semaine pour que votre produit opère à l'efficacité optimum. Le filtre peut être lavé ou aspiré. Enlevez l'excès d'eau du filtre, secouez doucement. Ceci enlèvera la poussière et les particules prises au piège dans le filtre. Après avoir nettoyé, réinstallez le filtre. **NE PAS** utiliser votre climatiseur sans le filtre à sa place
- Pour nettoyer le placard, n'utilisez jamais les produits chimiques rudes, abrasifs, l'ammoniac, le chlore. Une partie de ces produits chimiques peuvent dissoudre, endommager et /ou **NE PAS** décolorer votre climatiseur.
- Utilisez toujours un tissu doux avec de l'eau au savon et nettoyez le devant du placard. Séchez avec un tissu doux.

Emmagasinage

- Pour entreposer votre climatiseur, ou lors de longues périodes d'inutilisation, drainez l'eau du réservoir tel qu'indiqué à la page 6 sous la section « Pendant l'utilisation », étape 4. Retirez le tuyau d'échappement, nettoyez les filtres, recouvrez d'un sac de plastique, et entreposez.

Détection de panne

Si le climatiseur ne fonctionne pas:

- Assurez que le produit est branché, la prise peut être débranchée.
- El botón "Reset" ("Reiniciar") debe ser presionado para un funcionamiento adecuado.
- Assurez que la prise murale est au voltage approprié
- Assurez si le disjoncteur a besoin d'être remis à l'état initial ou si le fusible doit être remplacé.
- Assurez si le produit est sur le mode OFF
- La lumière du réservoir indiquant qu'il est plein, appelez le service.

Le climatiseur en marche, mais la salle ne se refroidit pas:

- La salle peut avoir des appareils qui produisent de la chaleur. Utilisez un ventilateur d'échappement pour enlever l'excès de la chaleur.
- Assurez la propre installation du tuyau d'échappement.
- Déviez le courant d'air. Enlevez tous les obstacles.
- Toutes les portes et fenêtres doivent être fermées pour que l'air n'échappe pas de la salle.
- Les filtres peuvent être bloqués ou doivent être nettoyés
- Le BTU de produit peut être très bas pour la chambre à refroidir.
- Quand la chaleur et l'humidité sont extrêmes, le climatiseur prendra long pour refroidir la salle.
- Egouttez l'eau du tuyau d'évacuation par le débrancher.
- Le produit peut être dans le sec ou ventilateur mode. Mettez le climatiseur sur le mode frais.

L'indicateur de Bac Plein est allumé:

- L'appareil s'éteint automatiquement lorsque le bac est plein. Ceci se produit lorsque l'appareil fonctionne dans des conditions très humides ou lorsque l'appareil fonctionne en mode Chauffage (HEAT), vu que la fonction d'évaporation automatique ne fonctionne pas durant ce mode. Voir les instructions dans la section « Fonctionnement », sous-section « Fonctionnement », sous-section « Pendant l'usage ».

Garantie Limitee

Que recouvre la garantie et pour combien de temps ?

Cette garantie recouvre tous les défauts de fabrication ou de matériaux pour une période de:

1 an (au service uniquement)

1 an (au service uniquement)

5 ans pour système frigorifique (au service uniquement)

La garantie prend effet à compter de la date d'achat de l'article et l'original de la facture doit être présenté au centre de services agréé avant d'effectuer toute réparation.

EXCEPTIONS: Garantie pour une utilisation commerciale ou en cas de location

90 jours pour la main d'œuvre (au service après-vente uniquement)

90 jours pour les pièces Aucune autre Garantie applique

Qu'est-ce qui est couvert ?

1. Les pièces mécaniques et électriques essentielles au bon fonctionnement de cet appareil sont garanties pendant 1 an. Cela comprend toutes les pièces sauf la finition et l'habillage.
2. Les composants du système frigorifique comme le compresseur, le condensateur et l'évaporateur sont couverts par la 5 ans garantie pour tout défaut de détérioration de ce type de composant provoquée par une mauvaise utilisation du matériel, une mauvaise manipulation ou lors du transport n'est pas couverte par cette garantie.

Quelles seront mesures prises

1. Nous nous réservons le droit de réparer et de remplacer toute pièce mécanique ou électrique défectueuse lors d'une utilisation normale pendant la période de garantie spécifiée.
2. Les pièces et la main d'œuvre ne seront facturées à l'acheteur pour aucun article couvert par la garantie pendant la période initiale de 1 an.
3. Veuillez contacter votre centre de services: 1-877-337-3639.

CETTE GARANTIE COUVRE LES APPAREILS ÉLECTROMÉNAGERS SUR LE CONTINENT NORD-AMÉRICAIN (ÉTATS-UNIS ET CANADA) ET À PORTO RICO.

ELLE NE COUVRE PAS CE QUI SUIT:

Les dommages dus à une mauvaise installation.

Les dommages survenus pendant le transport.

Les vices autres que de fabrication.

Les dommages dus à une mauvaise utilisation, à une utilisation excessive, à une altération, au manque d'entretien et à une tension ou un voltage incorrects. Les dommages imputables à une utilisation autre que domestique.

Les dommages dus à une réparation effectuée par un service autre que le revendeur agréé ou le centre de services.

L'habillage et les ampoules.

Le transport et l'expédition.

La main d'œuvre (après les 1 an initiaux).

IL N'EXISTE AUCUNE AUTRE GARANTIE QUE CETTE GARANTIE LIMITÉE, EXPRIMÉE OU IMPLICITE, INCLUANT LES GARANTIES DE QUALITÉ MARCHANDE OU D'APTITUDE DANS UN BUT PARTICULIER.

Les réparations fournies par la présente garantie sont exclusives et remplacent toute autre réparation.

Cette garantie ne couvre pas les dommages indirects ou secondaires. Dans ce cas, les limitations ci-dessus peuvent ne pas être applicables.

Certains états n'autorisent pas les limitations sur la durée d'une garantie implicite. Dans ce cas, les limitations ci-dessus peuvent ne pas être applicables.

Cette garantie vous reconnaît certains droits juridiques; Il est possible que vous disposiez d'autres droits, pouvant varier d'un état à l'autre.

New York, NY 10018

Registración del Producto

Guarde el número de modelo y de serie.

Para todos los llamados que usted realice al Centro de servicios dentro del período de garantía será necesaria la siguiente información. Adjunte la factura de compra a esta guía y guarde para futura referencia. Esta información se encuentra en la placa de su Acondicionador.

Número de modelo:

Número de serie:

Fecha de compra:

Nombre del distribuidor:

Dirección del distribuidor:

Teléfono del distribuidor:

PRECAUCIONES PARA SU SEGURIDAD



SEA CUIDADOSO: Siga todas las instrucciones antes de utilizar el Acondicionador de aire para reducir el riesgo de un shock eléctrico, daños o lesiones.

- ⚠ 1) Este acondicionador debe conectarse a la toma de corriente adecuada de acuerdo a las instrucciones de este manual. (Ver tabla)
- ⚠ 2) Debe asegurarse una adecuada conexión a tierra para reducir el riesgo de shock. **NO CORTE O RETIRE EL CABLE DE CONEXIÓN A TIERRA.** Si usted no posee una toma de corriente con conexión a tierra llame a un técnico calificado para que realice la instalación necesaria y correcta.
- ⚠ 3) No utilice este Acondicionador si el cable de corriente estuviera rasgado o dañado. Evite también el uso de la unidad si existen daños de abrasión en el enchufe, el conector, o si el Acondicionador no funcionara correctamente o estuviese dañado de cualquier manera. Contacte a un service autorizado para la reparación o ajustes.
- ⚠ 4) **NO UTILICE UN ADAPTADOR O ALARGUE.**
- 5) No bloquee o obstruya la corriente de aire alrededor de la unidad. Incluso la manguera de salida debe estar libre de cualquier obstrucción.
- 6) Siempre desenchufe el acondicionador antes de realizar reparaciones o traslados del mismo.
- 7) No instale u opere el Acondicionador en áreas donde la atmósfera posee gases combustibles. Evite que cualquier químico haga contacto con la unidad.
- 8) No coloque ningún objeto arriba de la unidad.
- 9) Nunca opere el Acondicionador sin los filtros en su lugar.
- 10) Nunca utilice el Acondicionador cerca de una bañera, pileta de cocina o una ducha.

CONSERVE ESTAS INSTRUCCIONES

¡PRECAUCIÓN! Si el aire acondicionado se ha ubicado en una posición horizontal o inclinada durante cualquier lapso de tiempo, espere 24 horas antes de enchufar la unidad.

Instrucciones Importantes

- Mantenga este manual en un lugar seguro.
- No use líquidos o vaporizadores para limpiar este producto. Utilice un paño húmedo.
- No ubique el producto en un lugar inseguro o elevado, ya que puede caerse y provocar daños o lesiones.
- No derrame nunca líquidos sobre el panel de control; pueden producirse descargas eléctricas en las piezas electrónicas del interior, lo que puede provocar que se desactiven o que no funcionen correctamente.
- No intente nunca desarmar el producto usted mismo. Si se desarma sin supervisión el interior de la tapa posterior y se vuelve a armarlo de manera incorrecta, se puede dañar el circuito eléctrico y afectar su rendimiento. Cuando es necesario realizar mantenimiento, póngase en contacto con el centro de reparaciones local o con el distribuidor local.

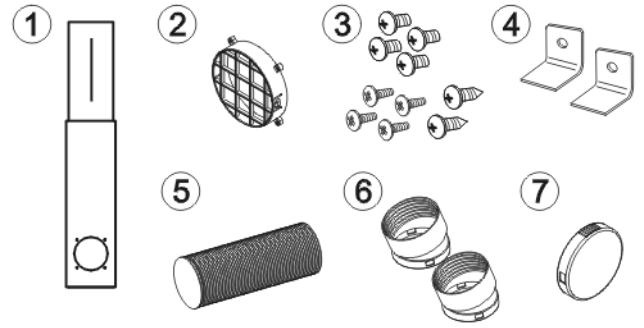
Ventajas de este Modelo

1. Diseño exclusivo de manguera dual, que proporciona un enfriamiento más poderoso y rápido que con el diseño con una sola manguera.
2. En el modo de refrigeración, este aire acondicionado portátil no requiere de agua para ser eliminados. La unidad tiene un diseño que continuamente se evapora el agua.
3. Este modelo es fácil de operar. El panel de control electrónico tiene temporizador, termostato, tres velocidades de enfriamiento, tres velocidades de ventilador y una velocidad de la función de deshumidificación (seco).
4. No es necesario agregarle agua a este acondicionador de aire portátil.
5. La unidad tiene un diseño único que evapora el agua. Por lo tanto, no tiene tanque de condensación y no es necesario vaciar el tanque por la noche.
6. Se incluye un conjunto de elementos para una fácil instalación en la ventana, que está compuesto por la manguera de salida, 2 boquillas de manguera, el equipo del panel para la ventana, el conector de la manguera de salida y la cubierta para el conector de la manguera de salida.
7. Se incluyen ruedecillas completamente direccionales para ayudarlo a mover la unidad según sus necesidades.

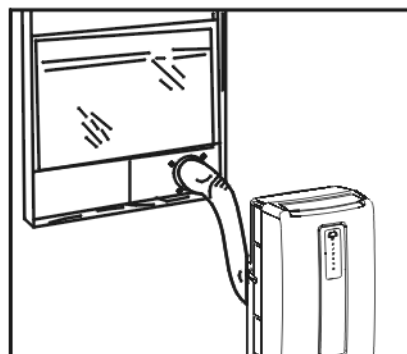
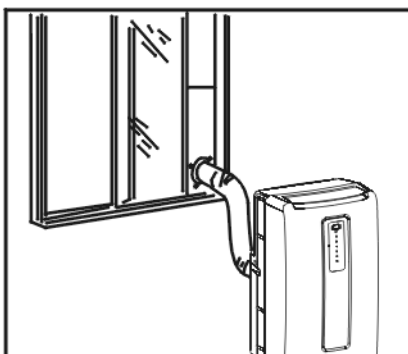
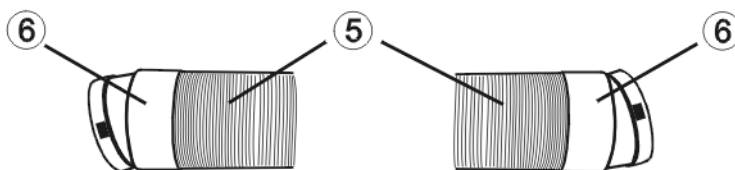
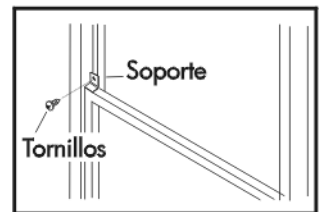
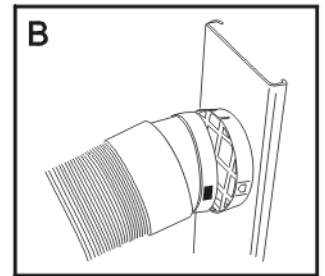
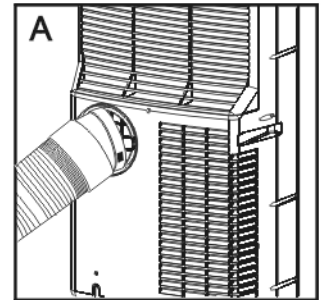
Ensamble e Instalacion

Accesorios que se incluyen

1. Panel de plástico. Desde 20" hasta 46" ... 3 pièces
2. Adaptador del panel para la ventana 1 pièce
3. Tornillos10 pièces
4. Soporte 2 pièces
5. Manguera de salida de emanaciones 1 pièce
6. Conector de la manguera de salida de emanaciones 2 pièces
7. Tapa 1 pièce

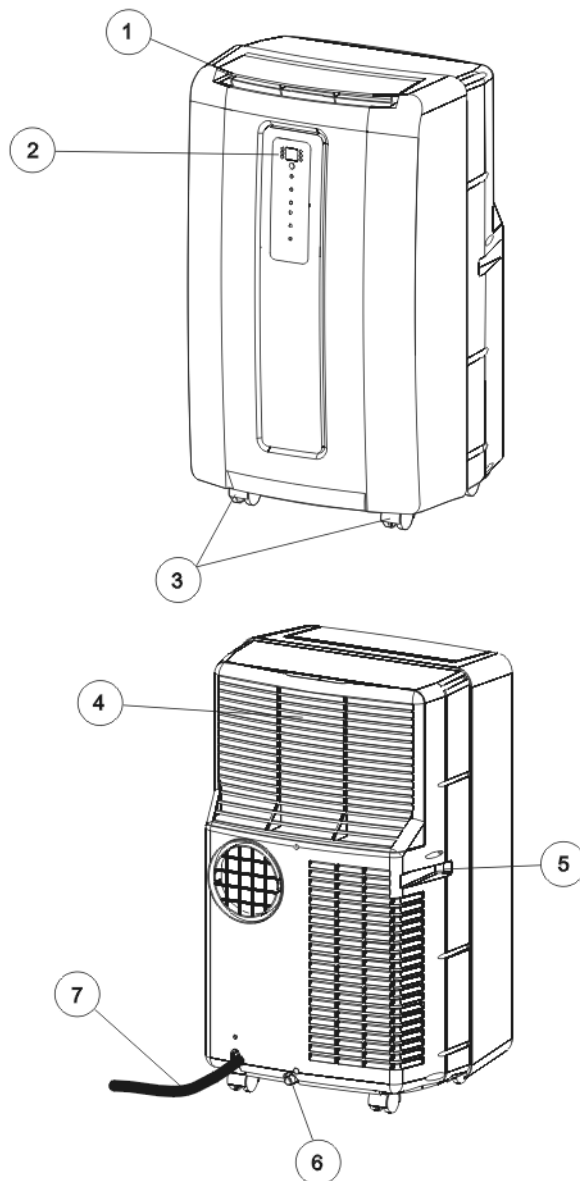


- 1) Conecte las 3 piezas de los paneles para la ventana deslizando los 2 paneles más cortos en el panel más largo.
- 2) Regule los paneles para la ventana para que coincidan con el ancho o el alto de la ventana. Coloque los 4 tornillos de punta roma en los agujeros para asegurar los paneles más cortos.
- 3) Asegure el soporte a la ventana con uno de los tornillos con punta provistos. De esta manera se evita que la ventana se abra desde afuera.
- 4) Una el adaptador del panel para la ventana con el panel para la ventana más grande usando los 4 tornillos con punta incluido
- 5) Extienda los 2 extremos de la manguera de salida. Coloque un conector para manguera en cada extremo girando hacia la derecha para crear el ensamblaje de la manguera.
- 6) Introduzca un extremo del ensamblaje de la manguera en la parte posterior de la unidad y gire hacia la derecha.
- 7) Inserte el otro extremo del ensamblaje de la manguera de salida en el adaptador del panel de la ventana en el panel de la ventana.
- 8) Enchufe el cable de energía en el toma de la pared y presione "Reset" (Reiniciar).
- 9) Permita que queden 8" de espacio alrededor de la unidad para que la circulación de aire sea apropiada.
- 10) Cuando retire el acondicionador de aire portátil para guardarlo, puede dejar el panel para la ventana y el soporte en su lugar. Simplemente coloque la cubierta sobre el adaptador del panel para la ventana.

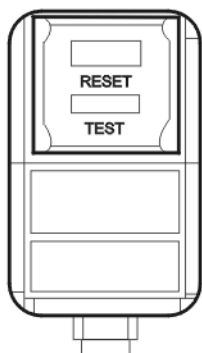


Partes y Características

1. Salida de aire
2. Panel de control
3. Ruedecillas
4. Filtro de aire
5. Manija
6. Desagüe de la salida de agua
7. Cable de alimentación



CABLE DE ALIMENTACIÓN



TEST (PRUEBA): CUANDO SE PRESIONA ESTE BOTÓN O CUANDO HAY UNA PÉRDIDA DE CORRIENTE, LA UNIDAD NO FUNCIONA.

RESET (REINICIAR): DESPUÉS DE RESOLVER EL PROBLEMA, PRESIONE EL BOTÓN RESET (REINICIAR) PARA REANUDAR EL FUNCIONAMIENTO.

Funcionamiento

NOTA: Espere 24 horas para encender el acondicionador de aire si la unidad se ha inclinado por cualquier motivo. Esto se recomienda para que los aceites y refrigerantes se asienten y se nivelen.

ANTES DE USO

1. Utilice un tomacorriente de 115 voltios/15 amperes para el acondicionador de aire. No utilice otros artefactos eléctricos en esta línea, de lo contrario pueden saltar los fusibles. Utilice una línea exclusiva para este acondicionador de aire.
2. No ubique el acondicionador de aire expuesto a los rayos directos del sol ni cerca de artefactos de calefacción (es decir, zócalos radiantes, estufas, etc.)
3. Ponga la unidad en funcionamiento únicamente sobre una superficie plana.
4. Mantenga la unidad libre de obstrucciones, tales como cortinas, persianas, etc.
5. Mantenga la unidad al menos a un pie de distancia de la pared.

DURANTE EL USO

1. Cuando encienda la unidad por primera vez después de enchufarla en un tomacorriente eléctrico, la unidad comenzará a funcionar en un modo de enfriamiento con ventilador bajo. La temperatura que aparezca en el LED será la temperatura ambiente de ese momento. Cuando encienda la unidad durante su uso regular, ésta recordará la última configuración usada. Si desea que el acondicionador de aire funcione como deshumidificador, entonces regúlelo en el modo deshumidificador.
2. Después de que se apague la unidad normalmente, espere 3 minutos antes de reiniciarla así se completa el ciclo del compresor.
3. En el modo enfriamiento, no debería ser necesario quitarle agua a este acondicionador de aire portátil. La unidad tiene un diseño único que evapora el agua de manera continua. En el modo calefacción, o cuando la unidad opera en condiciones de humedad alta, puede necesitar vaciar el tanque de agua periódicamente. La unidad se apaga automáticamente cuando el tanque de agua está lleno y se enciende la luz de advertencia "Tank Full" (Tanque lleno).
4. Para vaciar el tanque de agua: Ubique una fuente poco profunda (no incluida) debajo del desagüe inferior ubicado en la parte de atrás de la unidad (cerca de la base del acondicionador de aire), retire el tapón y vacíe el tanque de agua completamente. Vuelva a colocar el tapón de desagüe. Entonces podrá volver a encender su acondicionador de aire portátil.
5. Revise y limpie el filtro una vez por semana para obtener una mayor eficiencia.

NOTA: No utilice la unidad sin el filtro.

DESPUÉS DEL USO

Si no se utiliza la unidad por un período de tiempo prolongado, vacíe el agua del tanque de agua. Consulte el paso 4 de la sección anterior "Durante el uso" para mayor información.

Funcionamiento del panel de control

① Encendido / Apagado

② **Modo:** Presione el botón Mode (Modo) para lograr la configuración deseada.

Frío: LED azul se enciende en modo de refrigeración.

Deshumidificación: LED amarillo se enciende en el modo de deshumidificación.

Ventilador: LED verde se enciende en modo de abanico.

Calor: El LED rojo se enciende en el modo de calor (so se aplica al modelo de BPC12HJ).

③ **Velocidades del ventilador** Hay 3 velocidades ajustables en el modo enfriamiento y ventilador: Baja, Media y Alta.

En el modo deshumidificación, Si la temperatura ambiente es superior a los 77°F, puede regularse la velocidad del ventilador; de lo contrario, la velocidad del ventilador se fija como "baja".

④ **Temporizador Encendido/Apagado**

Para configurar el temporizador con una demora de 1 a 24 horas hasta que se encienda el acondicionador de aire.

1. Cuando utilice el botón de configuración del temporizador mientras la unidad está en funcionamiento, puede configurar que la unidad se apague a una hora predeterminada.
2. Cuando utilice el botón de configuración del temporizador mientras la unidad está en espera, puede configurar que la unidad se encienda a una hora predeterminada.
3. Si presiona el botón "ON/OFF" (encendido/apagado), la función del temporizador se cancelará.
4. El temporizador funciona por un período de 1 a 24 horas.

Para borrar el programa de demora con temporizador:



NOTA: El acondicionador de aire puede estar encendido o apagado.

1. Presione el botón Timer (Temporizador).
2. Presione y mantenga presionado el botón menos hasta que desaparezca la pantalla del temporizador.

Para cambiar el tiempo restante (en horas):

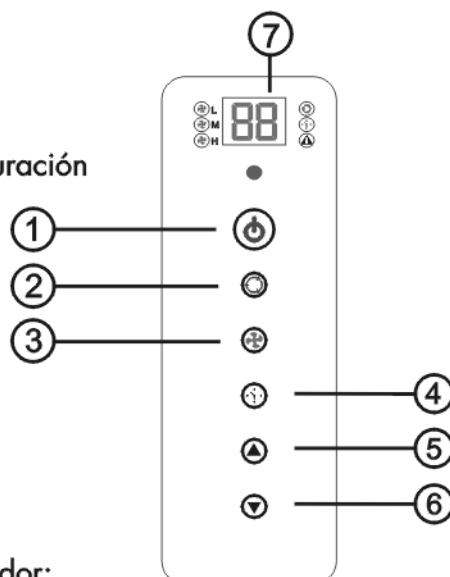
1. Presione el botón Timer (Temporizador).
2. Presione el botón más o menos para cambiar el tiempo de demora desde 1 a 24 horas.
3. Se mostrará el tiempo de demora nuevo.

⑤ ⑥ **Configuración de la temperatura**

Para configurar la temperatura, presione la tecla  o  para subir o bajar la temperatura. Puede subirse o bajarse la temperatura en el modo enfriamiento. No puede regularse la temperatura en los modos ventilador o deshumidificación. Presione 5 y 6 simultáneamente para cambiar entre °F y °C.

NOTA: Puede configurarse la temperatura entre 61°F y 89°F (Cool mode) & 61°F y 80°F (Heat mode).

⑦ Cuando el indicador rojo (en el lado superior derecho al lado del visor LED) destella, el tanque interno de agua se ha llenado con agua condensada y el aire acondicionado se apagará automáticamente. Vea la sección "Almacenamiento" en la página 10 para instrucciones de drenaje de agua del aire acondicionado.



Funcionamiento del control remoto

① Encendido / Apagado

② **Modo:** Presione el botón Mode (Modo) para lograr la configuración deseada.

Frío: LED azul se enciende en modo de refrigeración.

Deshumidificación: LED amarillo se enciende en el modo de deshumidificación.

Ventilador: LED verde se enciende en modo de abanico.

Calor: El LED rojo se enciende en el modo de calor (sólo se aplica al modelo de BPC12HJ).

③ **Velocidades del ventilador** Hay 3 velocidades ajustables en el modo enfriamiento y ventilador: Baja, Media y Alta. En el modo deshumidificación, Si la temperatura ambiente es superior a los 77°F, puede regularse la velocidad del ventilador; de lo contrario, la velocidad del ventilador se fija como "baja".

④ **Temporizador Encendido/Apagado**

Para configurar el temporizador con una demora de 1 a 24 horas hasta que se encienda el acondicionador de aire.

1. Cuando utilice el botón de configuración del temporizador mientras la unidad está en funcionamiento, puede configurar que la unidad se apague a una hora predeterminada.
2. Cuando utilice el botón de configuración del temporizador mientras la unidad está en espera, puede configurar que la unidad se encienda a una hora predeterminada.
3. Si presiona el botón "ON/OFF" (encendido/apagado), la función del temporizador se cancelará.
4. El temporizador funciona por un período de 1 a 24 horas.

Para borrar el programa de demora con temporizador:



NOTA: El acondicionador de aire puede estar encendido o apagado.

1. Presione el botón Timer (Temporizador).
2. Presione y mantenga presionado el botón menos hasta que desaparezca la pantalla del temporizador.

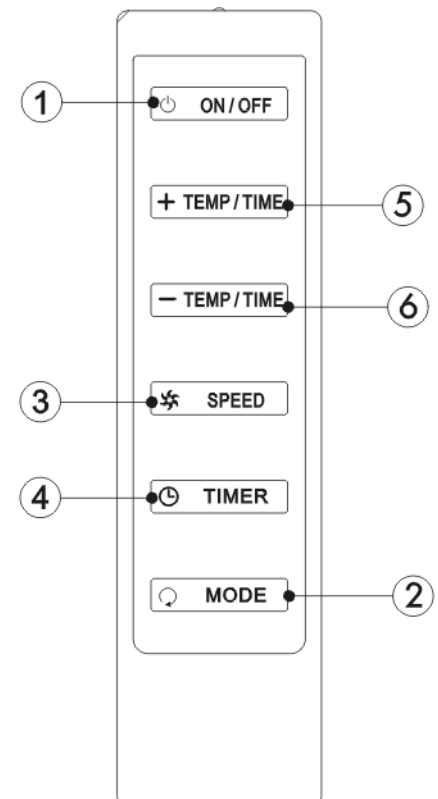
Para cambiar el tiempo restante (en horas):

1. Presione el botón Timer (Temporizador).
2. Presione el botón más o menos para cambiar el tiempo de demora desde 1 a 24 horas.
3. Se mostrará el tiempo de demora nuevo.

⑤ ⑥ **Configuración de la temperatura**

Para configurar la temperatura, presione la tecla  o  para subir o bajar la temperatura. Puede subirse o bajarse la temperatura en el modo enfriamiento. No puede regularse la temperatura en los modos ventilador o deshumidificación. Presione 5 y 6 simultáneamente para cambiar entre °F y °C.

NOTA: Puede configurarse la temperatura entre 61°F y 89°F (Cool mode) & 61°F y 80°F (Heat mode).



Cuidado y Mantenimiento

- Siempre desenchufe la unidad antes de limpiar.
- El filtro de aire del Acondicionador necesita ser limpiado por lo menos una vez por semana para que la unidad pueda funcionar al máximo de eficiencia. El filtro puede retirarse de la parte trasera deslizando hacia adelante. El filtro puede ser lavado o aspirado. Retire el exceso de agua del filtro sacudiéndolo. De esta manera desaparecerán las partículas de tierra y polvillo atrapados. Coloque nuevamente el filtro luego de la limpieza. **NO UTILICE** el acondicionador si el filtro no está en su lugar.
- Para limpiar el gabinete **NO UTILICE** químicos, abrasivos, amoníaco, cloro, blanqueador, detergentes concentrados, solventes o esponjitas de metal. Algunos de estos productos puede dañar el acabado o decolorar las superficies.
- Utilice un paño seco y suave o apenas humedecido con una solución de agua y detergente. Lave y seque con un repasador o paño.

Almacenaje

- Para guardar su aire acondicionado cuando no se utiliza por un período largo, vacíe el agua del tanque de agua como se describe en la página 6 en la sección "Durante el uso", paso 4. Quite la manguera de salida, limpie los filtros, cúbralo con una bolsa plástica y almacénelo.

Problemas Frecuentes

Si el acondicionador de aire no funciona:

- Controle que la unidad esté enchufada. El enchufe puede haberse aflojado.
- Si le climatiseur ne fonctionne pas, appuyez sur le bouton "Reset" pour le remettre en marche.
- Controle que la toma de corriente sea del voltaje adecuado.
- Controle si se quemó algún fusible. Reemplaze el mismo.
- Verifique que la unidad esté en modo ON
- La luz indicadora de tanque lleno está encendida. Llame a un técnico.

El Acondicionador no enfría lo suficiente:

- Puede haber otros aparatos en el área que irradian calor. Utilice la opción de ventilación para remover el aire caliente.
- Controle que la manguera de salida de calor este instalada correctamente.
- Redireccione la corriente de aire. Retire los obstáculos.
- Todas las puertas y ventanas deben estar cerradas de manera que el aire frío no escape.
- El filtro de aire puede estar bloqueado o necesita limpieza.
- La unidad BTU puede ser chica para la habitación.
- En días de calor y humedad extrema los Acondicionadores pueden demorar más tiempo que el normal en enfriar.
- Drene el agua del tubo de drenaje desenchufando el mismo.
- La unidad puede estar en el modo de ventilación o secada. Seleccione la opción "frío".

Luz de advertencia de tanque lleno encendida:

- La unidad se apaga si la fuente de agua está llena. Esto puede suceder cuando la unidad está en funcionamiento en condiciones de alta humedad o cuando funciona en el modo CALEFACCIÓN, dado que la función de autoevaporación no funciona en este modo. Consulte las instrucciones en la sección "Funcionamiento" en el apartado "Durante el uso".

Garantía Limitada

Qué cubre y por cuánto tiempo?

Esta garantía cubre todos los defectos en los materiales o los causados por el traslado durante un período de:

1 años (únicamente en taller)

1 años (únicamente en taller)

5 años el sistema sellado (únicamente en taller)

La garantía comienza el día en que el producto fue comprado. La factura original de compra debe ser presentada antes de hacer uso del servicio.

EXCEPCIONES: Garantía de uso comercial

90 días labor

90 días partes

No aplica ninguna otra garantía

Lo que cubre:

1. Las partes mecánicas y eléctricas que se utilizan para el funcionamiento, por un período de 1 años. Incluye todas las partes menos el acabado final.
2. Los componentes del sistema sellado, por ej. el compresor hermético, condensador, evaporador, de todo defecto de manufactura por un período de 5 años desde la fecha de compra. Cualquier daño a estos componentes causado por abuso mecánico o utilización inadecuada no serán cubiertos.

Que se hará?

1. Repararemos o reemplazaremos cualquier parte mecánica o eléctrica que se compruebe como defectuosa en el funcionamiento normal y durante el período de garantía.
2. No habrá cargos para el comprador por las partes y labor de acuerdo a los items anteriores y respetando el período de 1 años. Luego de ese período sólo los componentes están cubiertos por la garantía. La labor deberá ser abonada por el cliente.
3. Contacte su service: 1-877-337-3639.

ESTA GARANTIA A CUBRE EN LOS EEUU, PUERTO RICO Y CANADA. NO CUBRE LO SIGUIENTE

Daños por instalación impropia

Daños en el embarque y traslado

Otros defectos que no sean de manufactura

Daños por desuso, abuso, accidente, alteración o falta de cuidado y mantenimiento adecuado.

Daños por otro uso que no sea el doméstico.

Daños ocasionados por reparaciones de personal no perteneciente a algún service autorizado.

Decoraciones o reemplazo de la bombita de luz.

Transporte y embarque

Labor (luego de los primeros 1 años)

ESTA GARANTIA LIMITADA ESTA DADA EN LUGAR DE CUALQUIER OTRA GARANTIA.

El remedio dado por esta garantía es exclusivo y es otorgado en lugar de cualquier otra solución. Esta garantía no cubre daños incidentales o secundarios, de modo que las limitaciones precedentes no lo alcanzan a usted. Algunos Estados no permiten las limitaciones de tiempo de una garantía implícita, de modo que las limitaciones anteriores pueden no aplicarse en su caso.

Esta garantía le da derechos legales específicos, y usted puede contar con otros derechos de acuerdo al Estado donde se encuentre.

New York, NY 10018

IMPORTANT

Do Not Return This Product To The Store

If you have a problem with this product, please call 1-877-337-3639.
DATED PROOF OF PURCHASE REQUIRED FOR WARRANTY SERVICE

IMPORTANT

Ne pas Réexpédier ce Produit au Magasin

Pour tout problème concernant ce produit, veuillez contacter 1-877-337-3639.
UNE PREUVE D'ACHAT DATEE EST REQUISE POUR BENEFICIER DE LA GARANTIE.

IMPORTANTE

No regrese este producto a la tienda

Si tiene algún problema con este producto, por favor contacte al 1-877-337-3639.
NECESITA UNA PRUEBA DE COMPRA FECHADA PARA EL SERVICIO DE LA GARANTIA

115V~60Hz

Made in China
Fabriqué en Chine
Hecho en China

Printed in China

Haier America, New York, NY 10018

111115