

Amana[®]

ROOM AIR CONDITIONER

Use & Care Guide

For questions about features, operation/performance, parts,
accessories or service call: 1-888-842-2440

ACONDICIONADOR DE AIRE PARA HABITACIÓN

Manual de Uso y Cuidado

Si tiene preguntas respecto a las características, funcionamiento,
rendimiento, partes, accesorios o servicio técnico,
llame al: 1-888-842-2440

CLIMATISEUR DE PIÈCE

Guide d'utilisation et d'entretien

Au Canada, pour assistance, installation ou service,
composez le : 1-888-842-2440

Table of Contents/Índice/Table des matières 2

**Model: ACD10KE
ACD12KE
ACD12KE-E**

0010535178



TABLE OF CONTENTS

| | | | |
|---|----------|------------------------------------|-----------|
| AIR CONDITIONER SAFETY | 3 | Using the Remote Control..... | 11 |
| INSTALLATION REQUIREMENTS | 3 | Changing Air Direction | 12 |
| Tools and Parts | 3 | Normal Sounds..... | 12 |
| Location Requirements | 4 | AIR CONDITIONER CARE | 12 |
| Electrical Requirements | 4 | Cleaning the Air Filter | 12 |
| INSTALLATION INSTRUCTIONS | 5 | Cleaning the Front Panel..... | 13 |
| Unpack the Air Conditioner..... | 5 | Annual Maintenance..... | 13 |
| Prepare Air Conditioner for Installation..... | 5 | TROUBLESHOOTING | 13 |
| Prepare Window for Installation..... | 6 | ASSISTANCE OR SERVICE | 15 |
| Position Air Conditioner | 7 | In the U.S.A. | 15 |
| Complete Installation | 8 | In Canada | 15 |
| AIR CONDITIONER USE | 9 | WARRANTY | 16 |
| Starting Your Air Conditioner | 9 | | |

ÍNDICE

| | | | |
|---|-----------|---|-----------|
| SEGURIDAD DEL ACONDICIONADOR DE AIRE | 17 | Cómo usar el control remoto | 25 |
| REQUISITOS DE INSTALACIÓN | 17 | Cómo cambiar la dirección del aire | 26 |
| Herramientas y piezas..... | 17 | Sonidos normales..... | 26 |
| Requisitos de ubicación..... | 18 | CUIDADO DE SU ACONDICIONADOR DE AIRE | 26 |
| Requisitos eléctricos..... | 18 | Limpieza del filtro de aire | 26 |
| INSTRUCCIONES DE INSTALACIÓN | 19 | Limpieza del panel frontal | 27 |
| Desempaque el acondicionador de aire..... | 19 | Mantenimiento anual..... | 27 |
| Prepare el acondicionador de aire para la instalación | 20 | SOLUCIÓN DE PROBLEMAS | 27 |
| Preparación de la ventana para la instalación..... | 20 | AYUDA O SERVICIO TÉCNICO | 29 |
| Coloque el acondicionador de aire en su lugar..... | 21 | En los EE.UU. | 29 |
| Complete la instalación..... | 22 | En Canadá..... | 29 |
| CÓMO USAR EL ACONDICIONADOR DE AIRE | 23 | GARANTÍA | 30 |
| Cómo poner en marcha su acondicionador de aire..... | 23 | | |

TABLE DES MATIÈRES

| | | | |
|---|-----------|---------------------------------------|-----------|
| SÉCURITÉ DU CLIMATISEUR | 31 | Utilisation de la télécommande..... | 39 |
| EXIGENCES D'INSTALLATION | 31 | Changement de direction de l'air..... | 40 |
| Outils et pièces..... | 31 | Sons normaux | 40 |
| Exigences d'emplacement..... | 32 | ENTRETIEN DU CLIMATISEUR | 40 |
| Spécifications électriques | 32 | Nettoyage du filtre à air | 40 |
| INSTRUCTIONS D'INSTALLATION | 33 | Nettoyage du panneau avant..... | 41 |
| Déballage du climatiseur..... | 33 | Entretien annuel..... | 41 |
| Préparer le climatiseur pour l'installation..... | 33 | DÉPANNAGE | 41 |
| Préparation de la fenêtre pour l'installation | 35 | ASSISTANCE OU SERVICE | 43 |
| Positionnement du climatiseur..... | 35 | Aux États-Unis..... | 43 |
| Achever l'installation | 36 | Au Canada..... | 43 |
| UTILISATION DU CLIMATISEUR | 37 | GARANTIE | 44 |
| Mise en marche du climatiseur..... | 37 | | |



AIR CONDITIONER SAFETY

Your safety and the safety of others is very important.

We have provided many important safety messages in this manual and on your appliance. Always read and obey all safety messages.



This is the safety alert symbol.

This symbol alerts you to potential hazards that can kill or hurt you and others.

All safety messages will follow the safety alert symbol and either the word "DANGER" or "WARNING." These words mean:

⚠ DANGER

You can be killed or seriously injured if you don't immediately follow instructions.

⚠ WARNING

You can be killed or seriously injured if you don't follow instructions.

All safety messages will tell you what the potential hazard is, tell you how to reduce the chance of injury, and tell you what can happen if the instructions are not followed.

IMPORTANT SAFETY INSTRUCTIONS

WARNING: To reduce the risk of fire, electrical shock or injury when using your air conditioner, follow these basic precautions:

- Plug into a grounded 3 prong outlet.
- Do not use an extension cord.
- Do not remove ground prong.
- Unplug air conditioner before servicing.
- Do not use an adapter.
- Use two or more people to move and install air conditioner.

SAVE THESE INSTRUCTIONS

INSTALLATION REQUIREMENTS

Tools and Parts

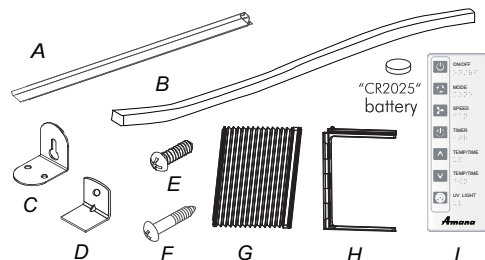
Gather the required tools and parts before starting installation. Read and follow the instructions provided with any tools listed here.

Tools needed

- Phillips head screwdriver
- Flat-blade screwdriver
- Scissors
- Level
- Socket wrench and sockets
- Tape measure
- Cordless drill and 1/8" bit
- Pencil
- Pliers
- Adjustable wrench

Parts supplied:

Check that all parts are included in parts package.



- A. Top channel
- B. Foam seal
- C. Side brackets (2)
- D. Window lock bracket
- E. 1/2" screws (4)
- F. 3/32" screws (9)
- G. Side curtains (2)
- H. Side curtain frames (2)
- I. Remote control

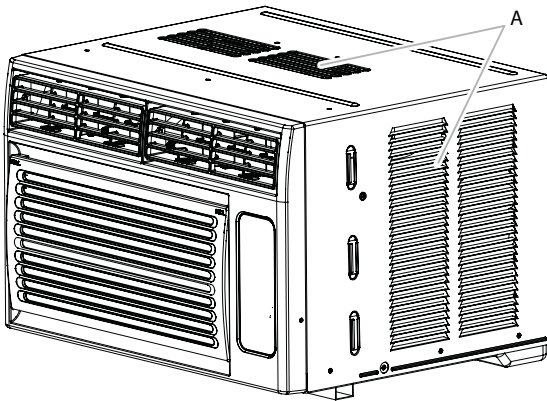


Location Requirements

IMPORTANT: Observe all governing codes and ordinances. Check the location where the air conditioner will be installed. Make sure you have everything necessary for correct installation. The location should provide:

- Grounded electrical outlet within 4 ft (122 cm) of where the power cord exits the air conditioner.
 - NOTE:** Do not use an extension cord.
- Free movement of air in room to be cooled.
- A large enough opening for the air conditioner. Installation parts are supplied for double-hung windows.
- Adequate wall support for weight of air conditioner. Air conditioner weighs 44 lbs to 76 lbs (20.0 kg to 34.5 kg).

NOTE: Cabinet louvers must not be obstructed. Air must be able to pass freely through the cabinet louvers.

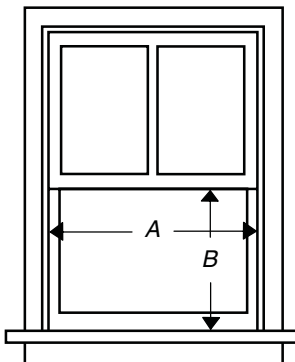


A. Cabinet louvers

Window Installation

Window opening measurements:

- 24½" minimum to 38" (62.2 cm to 96.5 cm) maximum opening width.
- 14⅞" (37 cm) minimum opening height.



A. 24½" (62.2 cm) minimum

B. 14⅞" (37 cm) minimum

Electrical Requirements

⚠ WARNING



Electrical Shock Hazard

Plug into a grounded 3 prong outlet.

Do not remove ground prong.

Do not use an adapter.

Do not use an extension cord.

Failure to follow these instructions can result in death, fire, or electrical shock.

The electrical ratings for your air conditioner are listed on the model and serial number label. The model and serial number label is located either on the side or back of the air conditioner cabinet or behind the front grille.

Specific electrical requirements are listed in the chart below. Follow the requirements for the type of plug on the power supply cord.

Power Supply Cord

Electrical Requirements



- 115-volt (103.5 min. to 126.5 max.)
- 0 to 12 amps
- 15-amp time-delay fuse or circuit breaker
- Use on single outlet circuit only.

Recommended Grounding Method

This air conditioner must be grounded. This air conditioner is equipped with a power supply cord having a 3 prong grounding plug. The cord must be plugged into a mating, grounded 3 prong outlet, grounded in accordance with all local codes and ordinances. If a mating outlet is not available, it is the customer's responsibility to have a properly grounded 3 prong outlet installed by a qualified electrical installer.

It is the customer's responsibility:

- To contact a qualified electrical installer.
- To assure that the electrical installation is adequate and in conformance with National Electrical Code, ANSI/NFPA 70—latest edition, and all local codes and ordinances.

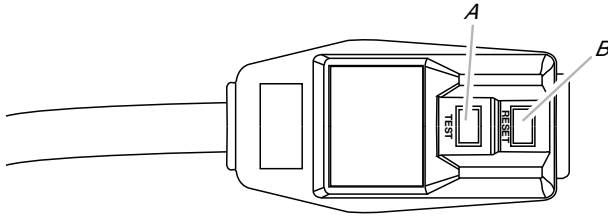
Copies of the standards listed may be obtained from:

National Fire Protection Association
1 Batterymarch Park
Quincy, MA 02169



Power Supply Cord

NOTE: Your air conditioner's device may differ from the one shown.



A. Test button
B. Reset button

This room air conditioner is equipped with a power supply cord required by UL. This power supply cord contains state-of-the-art electronics that sense current leakage. If the cord is crushed, the electronics detect current leakage and power will be disconnected in a fraction of a second.

⚠ WARNING



Electrical Shock Hazard

Plug into a grounded 3 prong outlet.

Do not remove ground prong.

Do not use an adapter.

Do not use an extension cord.

Failure to follow these instructions can result in death, fire, or electrical shock.

To test your power supply cord:

1. Plug power supply cord into a grounded 3 prong outlet.
2. Press RESET (on some devices, a green light will turn on).
3. Press TEST (listen for click; Reset button will trip, and on some devices, a green light will turn off).
4. Press and release RESET (listen for click; Reset button will latch, and on some devices, a green light will turn on). The power supply cord is ready for operation.

NOTES:

- The Reset button must be pushed in for proper operation.
- The power supply cord must be replaced if it fails to trip when the test button is pressed or fails to reset.
- Do not use the power supply cord as an off/on switch.
- A damaged power supply cord must be replaced with a new power supply cord obtained from the product manufacturer and must not be repaired.
- The power supply cord contains no user serviceable parts. Opening the tamper-resistant case voids all warranty and performance claims.

INSTALLATION INSTRUCTIONS

Unpack the Air Conditioner

⚠ WARNING

Excessive Weight Hazard

Use two or more people to move and install air conditioner.

Failure to do so can result in back or other injury.

Remove Packaging Materials

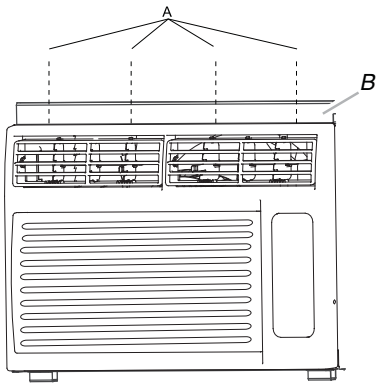
- Remove and dispose of/recycle packaging materials. Remove tape and glue residue from surfaces before turning on the air conditioner. Rub a small amount of liquid dish soap over the adhesive with your fingers. Wipe with warm water and dry.
- Do not use sharp instruments, rubbing alcohol, flammable fluids, or abrasive cleaners to remove tape or glue. These products can damage the surface of your air conditioner.
- Handle the air conditioner gently.

Prepare Air Conditioner for Installation

Install Top Channel

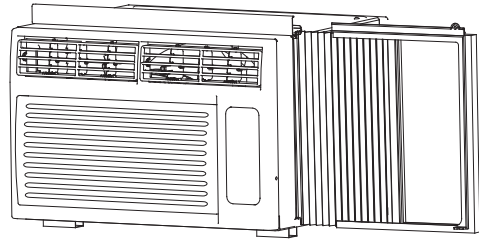
1. Place the top channel on the top of the air conditioner, lining up the holes in the top channel with the holes in the top of the air conditioner.
2. Using four $\frac{13}{32}$ " screws, attach the top channel to the air conditioner.

NOTE: Your model may differ from the one shown.



A. $\frac{13}{32}$ " screws
B. Top channel

- Slide the side curtain frame into the top channel on the top of the air conditioner and the track on the bottom of the air conditioner.

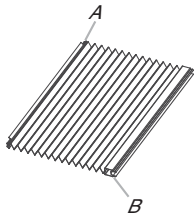


- Slide the side curtain frame as close to the air conditioner as necessary to lock the side curtain to the frame.
- Repeat above steps for the left-hand side curtain and frame.

Install Side Curtains

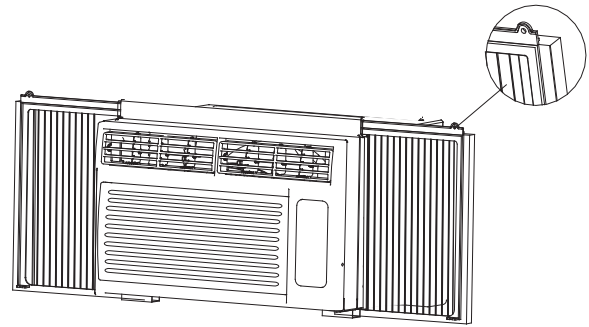
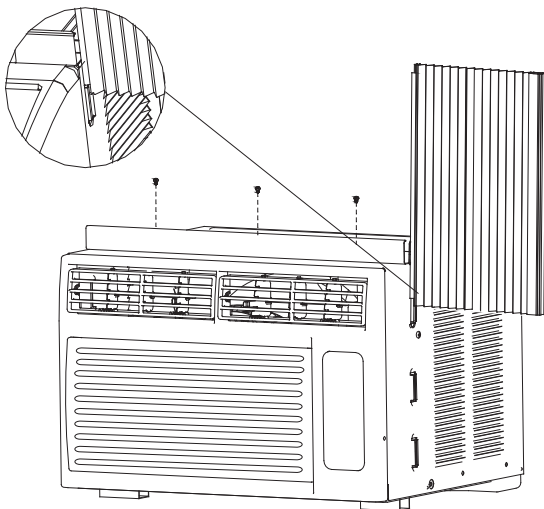
NOTE: Attach curtains to the air conditioner before placing the air conditioner in window.

- Place the tabbed side of the side curtain in the track on the right-hand side of the air conditioner cabinet.



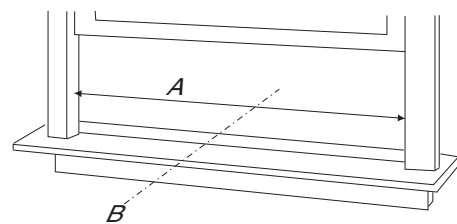
A. Tabbed side of side curtain
B. Lock edge side of side curtain

- Slide the side curtain down the track until the curtain is aligned with the top and bottom of the air conditioner cabinet.



Prepare Window for Installation

- Measure the width of the window opening.
- Mark the center line on the inside windowsill.



A. Width of window opening
B. Center line



Position Air Conditioner

⚠ WARNING

Excessive Weight Hazard

Use two or more people to move and install air conditioner.

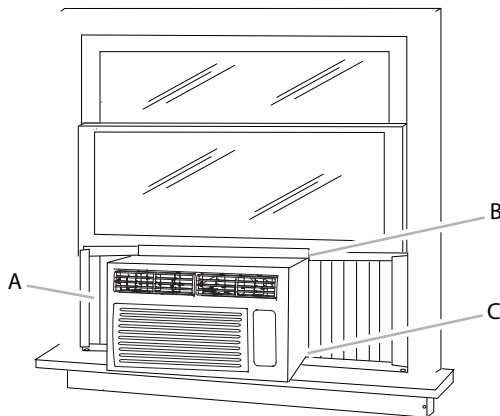
Failure to do so can result in back or other injury.

NOTES:

- Handle the air conditioner gently.
- Be sure your air conditioner does not fall out of the opening during installation or removal.
- The place where the power cord exits the air conditioner should be no more than 4 ft (122 cm) from a grounded outlet.
- Do not block the louvers in the front panel.
- Do not block the louvers on the outside of the air conditioner.

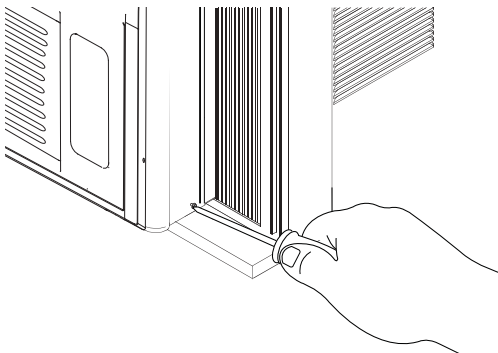
1. Center the air conditioner in the window. Lower the window sash behind the top channel to hold the cabinet in place

NOTE: Your model may differ from the one shown.

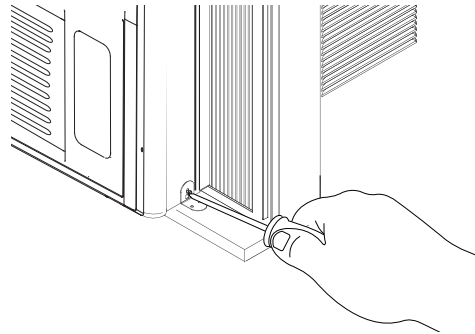


- A. Side curtain against window channel
- B. Window sash behind top channel
- C. Bottom channel in behind windowsill

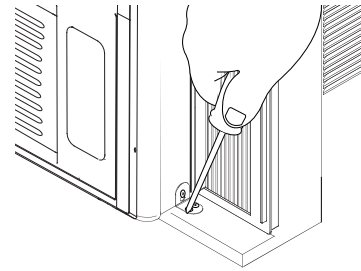
2. Loosen the screw on the right-hand side of the air conditioner cabinet near the bottom.



3. Slide the side bracket over the screw.
4. Tighten the screw. The side bracket should be resting on the windowsill.



5. Use $\frac{1}{8}$ " drill bit to drill a starter hole through the holes in the side bracket and windowsill.
6. Using two $\frac{3}{32}$ " screws, attach the side bracket to the windowsill.



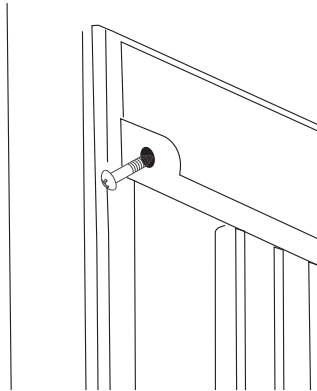
7. Repeat for side bracket installation on the left-hand side of the air conditioner.

Attach Side Curtains to Window

1. Pull the left-hand curtain out until it fits into the window channel.
2. Use a $\frac{1}{8}$ " drill bit to drill a starter hole through the top hole in the side curtain and into the window sash.
3. Insert one of the $\frac{3}{32}$ " screws through the top hole of the lefthand curtain and into the window sash.
4. Repeat for the right-hand curtain.

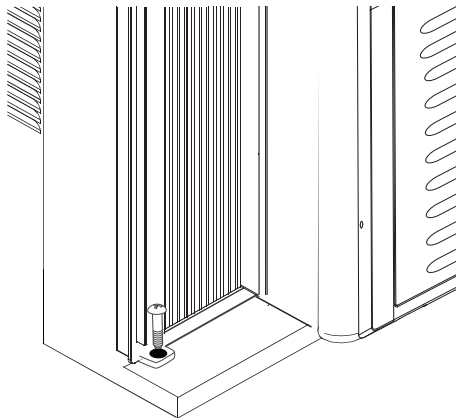


Top View

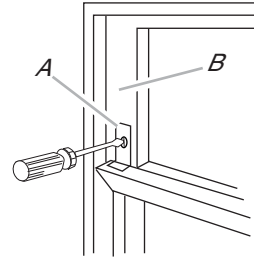


5. Use a $\frac{1}{8}$ " drill bit to drill a starter hole through the bottom hole in the side curtain and into the window frame.
6. Insert one of the $\frac{3}{32}$ " screws through the bottom hole of the left-hand curtain and into the window frame.
7. Repeat for the right-hand curtain.

Bottom View



2. Place the window lock bracket as shown. Use a $\frac{1}{8}$ " drill bit to drill a starter hole through the hole in the window lock bracket and into the upper window.
3. Attach the window lock bracket to the upper window with one $\frac{3}{32}$ " screw to secure the window in place.



⚠ WARNING



Electrical Shock Hazard

Plug into a grounded 3 prong outlet.

Do not remove ground prong.

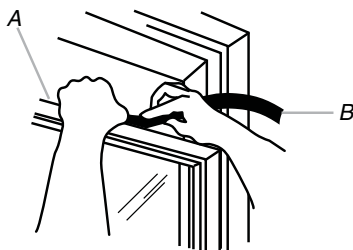
Do not use an adapter.

Do not use an extension cord.

Failure to follow these instructions can result in death, fire, or electrical shock.

Complete Installation

1. Insert the foam seal behind the top of the lower window sash and against the glass of the upper window.



A. Top of lower window sash
B. Foam seal

4. Plug into a grounded 3 prong outlet.
5. Press RESET on the power supply cord. See "Electrical Requirements."



AIR CONDITIONER USE

Operating your air conditioner properly helps you to obtain the best possible results.

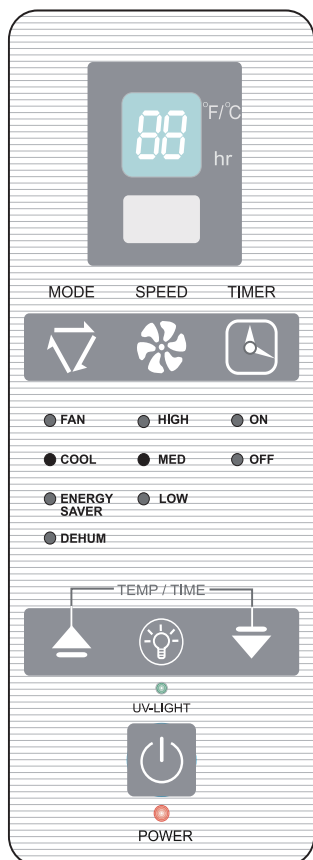
This section explains proper air conditioner operation.

IMPORTANT:

- If you turn off the air conditioner, wait at least 3 minutes before turning it back on. This keeps the air conditioner from blowing a fuse or tripping a circuit breaker.

- Do not try to operate your air conditioner in the Cool mode when outside temperature is below 61°F (16°C). The inside evaporator coil will freeze up, and the air conditioner will not operate properly.

Starting Your Air Conditioner



1. Remove the clear plastic film from the control panel.
2. Press POWER to turn on the air conditioner. The Power indicator light will turn on.



NOTE: When the air conditioner is plugged in, the LED display will show “88” for 3 seconds. After the air conditioner is turned on for the first time, the display will show the current room temperature and the fan is set to Low speed.

After the unit is plugged in, but before the unit is turned on, press and hold the POWER button for 5 seconds to switch the temperature display between Fahrenheit (F) and Celsius(C) degrees.

3. Select mode. See “Mode.”

4. Select fan speed. See “Fan Speed.”
5. Set temperature. See “Temperature.”

Mode

1. Press MODE until you see the indicator light glow for the desired setting.
2. Choose Fan, Cool, Energy Saver or Dehum.
 - Fan—Only the fan runs. Press SPEED to select High, Med or Low fan speed. The display shows the current room temperature.
 - Cool—Cools the room. Press SPEED to select High, Med or Low fan speed. Press the TEMP/TIME up or down arrow button to adjust the temperature.
 - Energy Saver—Fan runs only when cooling is needed. Press SPEED to select High, Med or Low fan speed. Because the fan does not circulate the room air continuously, less energy is used, but the room air is not circulated as often.
 - Dehum—Dries the room. The air conditioner automatically selects the temperature.

NOTE:

- Dehum mode should not be used to cool the room.
- In Dehum mode, Please do not operate the speed button.



Fan Speed

1. Press FAN SPEED until you see the indicator light glow for the desired setting.
2. Choose High, Med or Low.
 - High—for maximum cooling
 - Med—for normal cooling
 - Low—for minimum cooling

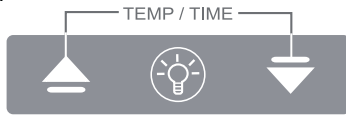




Temperature

- Press the TEMP/TIME up arrow button to raise the temperature. Each time you press or hold the TEMP/TIME up arrow button, the temperature will go up 1°F until it reaches 86°F (30°C).

NOTE: After 5 seconds, the display will show the current room temperature.



- Press the TEMP/TIME down arrow button to lower the temperature. Each time you press or hold the TEMP/TIME down arrow button, the temperature will go down 1°F until it reaches 61°F (16°C).

NOTE: After 5 seconds, the display will show the current room temperature.

Timer Delay

To set the Timer for a 1-hour to 24-hour delay until the air conditioner turns off (the air conditioner must be On):

- Press TIMER. Timer OFF indicator light will flash. Display will show remaining hours before the air conditioner will turn off.

TIMER



ON

OFF

- Press the TEMP/TIME up or down arrow button to change the delay time from 1 hour to 24 hours.
- After 5 seconds, Timer OFF indicator light will remain on. Display will show the current room temperature.

To set the Timer to turn on the air conditioner, keeping previous settings:

- Turn off the air conditioner.
- Press TIMER. Timer On indicator light will flash. Display will show remaining hours before the air conditioner will turn on.
- Press the TEMP/TIME up or down arrow button to change the delay time from 1 hours to 24 hours.
- Timer On indicator light will remain on.

To set the Timer to turn on the air conditioner, changing the previous settings:

- Turn on the air conditioner.
- Adjust the mode to Fan, Cool, Energy Saver or Dehum.
- For Fan, Cool or Energy Saver mode, adjust the fan speed to High, Med or Low.
- Adjust the temperature between 61°F and 86°F (16°C and 30°C).

NOTE: In Fan mode, the temperature cannot be set.

- Press TIMER. Timer On indicator light will flash. Display will show remaining hours before the air conditioner will turn on.
- Press the TEMP/TIME up or down arrow button to change the delay time from 1 hour to 24 hours.
- Timer On indicator light will remain on.

To clear Timer delay program:

NOTE: Air conditioner can be either on or off.

- Press TEMP/TIME once after it has been programmed. Display will show remaining time.
- While the display is showing the remaining time, press TIMER until Timer indicator light turns off.

To see or change the remaining time (in hours):

Timer Off :

- Press TEMP/TIME once after it has been programmed. Display on the air conditioner control panel will show remaining time.
- While the display is showing the remaining time, press the TEMP/TIME up or down arrow button to increase or decrease the time.
- After 5 seconds, the display on the air conditioner control panel will show the current room temperature.

Timer On :

- Display on the air conditioner control panel will show remaining time.
- While the display is showing the remaining time, press the TEMP/TIME up or down arrow button to increase or decrease the time.

UV Light Air Purifier

The photo catalytic air purification system cleans, deodorizes and purifies the interior air by using a filter treated with titanium dioxide. A small UV LED light positioned over the filter activates the titanium dioxide coating and produces a cleansing reaction similar to that of sunlight. This reaction converts oxygen and water into hydroxyl-free radicals that cleanse the air.

NOTES:

- To turn on the UV Light air Purifier, press the UV Light icon on the remote control. See "Using the Remote Control."
- It is recommended that the UV Light filter be replaced yearly. See "Air Conditioner Care."



UV-LIGHT





Using the Remote Control *

NOTE: Remote control may differ in appearance.



* Dots are Braille text for sight Impaired.

Temperature

- Press the TEMP/TIME up arrow button to raise the temperature. Each time you press or hold the TEMP/TIME up arrow button, the temperature will go up 1°F until it reaches 86°F (30°C).



- Press the TEMP/TIME down arrow button to lower the temperature. Each time you press or hold the TEMP/TIME down arrow button, the temperature will go down 1°F until it reaches 61°F (16°C).



Timer

To set the Timer for a 1-hour to 24-hour delay before the air conditioner is turned off (the air conditioner must be On):

1. Press TIMER. Timer OFF indicator light on the air conditioner control panel will flash.



2. Press the TEMP/TIME up or down arrow button to change the delay time from 1 hour to 24 hours.
3. After 5 seconds, Timer OFF indicator light on the air conditioner control panel will remain on.

To set Timer to turn on the air conditioner while keeping previous settings:

1. Turn off the air conditioner.
2. Press TIMER. Timer On indicator light on the air conditioner control panel will flash.
3. Press the TEMP/TIME up or down arrow button to change the delay time from 1 hour to 24 hours.
4. After 5 seconds, Timer On indicator light on the air conditioner control panel will remain on.

To set Timer to turn on the air conditioner and change the previous settings:

1. Turn on the air conditioner.
2. Adjust the mode to Fan, Cool, Energy Saver or Dehum.
3. For Fan, Cool or Energy Saver mode, adjust the fan speed to High, Med or Low.

NOTE: One CR2025 battery (included) powers the remote control. Replace battery after 6 months of use, or when the remote control starts to lose power.

Power

Press ON/OFF to turn on the air conditioner.



Mode

Press MODE to choose Fan, Cool, Energy Saver or Dehum.



Speed

Press SPEED to choose High, Med or Low.





- Adjust the temperature between 61°F and 86°F (16°C and 30°C).
NOTE: In Fan mode, the temperature cannot be set.
- Press **TIMER**. Timer On indicator light on the air conditioner control panel will flash. Display will show remaining hours before the air conditioner will turn on.
- Press the **TEMP/TIME** up or down arrow button to change the delay time from 1 hour to 24 hours.
- Timer On indicator light on the air conditioner control panel will remain on.

To clear Timer delay program:

NOTE: Air conditioner can be either on or off.

- Press **TIMER** once after it has been programmed. Display on the air conditioner control panel will show remaining time.
- While the display is showing the remaining time, press **TIMER** until Timer indicator light turns off.

To see or change the remaining time (in hours):

Timer Off :

- Press **TEMP/TIME** once after it has been programmed. Display on the air conditioner control panel will show remaining time.
- While the display is showing the remaining time, press the **TEMP/TIME** up or down arrow button to increase or decrease the time.
- After 5 seconds, the display on the air conditioner control panel will show the current room temperature.

Timer On :

- Display on the air conditioner control panel will show remaining time.
- While the display is showing the remaining time, press the **TEMP/TIME** up or down arrow button to increase or decrease the time.

Changing Air Direction

4-Way Air Flow: The air directional louvers let you control the direction of the airflow to the desired direction. The airflow can be directed up-down, left-right.

Vent: The Fresh air vent allows the air conditioner to recirculate inside air, draw fresh air into the room and exhaust stale air to the outside.



A. 4-Way Air Flow

B. Vent

Normal Sounds

When your air conditioner is operating normally, you may hear sounds such as:

- Droplets of water hitting the condenser, causing a pinging or clicking sound. The water droplets help cool the condenser.
- Air movement from the fan.
- Clicks from the thermostat cycle.
- Vibrations or noise due to poor wall or window construction.
- A high-pitched hum or pulsating noise caused by the modern high-efficiency compressor cycling on and off.

AIR CONDITIONER CARE

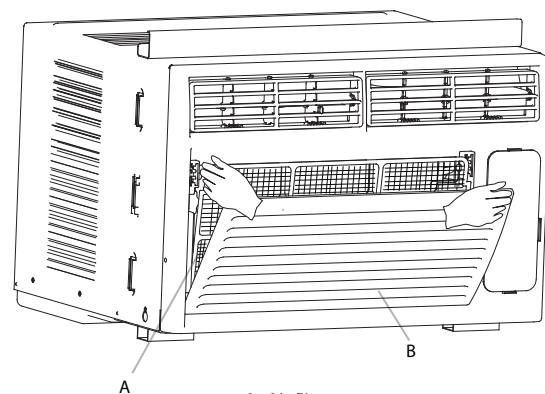
Your new air conditioner is designed to give you many years of dependable service. This section tells you how to clean and care for your air conditioner properly.

Cleaning the Air Filter

The air filter is removable for easy cleaning. A clean filter helps remove dust, lint, and other particles from the air and is important for best cooling and operating efficiency. Check the filter every 2 weeks to see whether it needs cleaning.

NOTE: Do not operate the air conditioner without the filter in place.

- Turn off the air conditioner.
- Remove the air filter by opening the front panel and removing the air filter.
- Use a vacuum cleaner to clean air filter. If the air filter is very dirty, wash it in warm water with a mild detergent. Do not wash the air filter in the dishwasher or use any chemical cleaners. Air dry the air filter completely before replacing to ensure maximum efficiency.
- Replace the air filter.
- Close the front panel.
- Turn on the air conditioner.



A. Air filter

B. Front panel



Cleaning the Front Panel

1. Turn off the air conditioner.
2. Clean the front panel with a soft, damp cloth.
3. Air dry the front panel completely.
4. Turn on the air conditioner.

A. UV filter behind air filter

1. Turn off the air conditioner.
2. Remove the air filter. See "Cleaning the Air Filter."
3. Use a vacuum cleaner to clean the UV filter.
4. Replace the air filter. See "Cleaning the Air Filter."
5. Turn on the air conditioner.

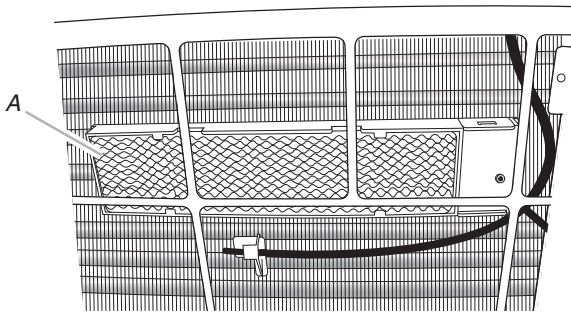
Annual Maintenance

Air Conditioner

Your air conditioner needs annual maintenance to help ensure steady, top performance throughout the year. Call your local authorized dealer to schedule an annual checkup. The expense of an annual inspection is your responsibility.

UV Filter

The UV filter is located behind the air filter.



TROUBLE SHOOTING

Before calling for service, try the suggestions below to see whether you can solve your problem without outside help.

Air Conditioner Will Not Operate

⚠ WARNING



Electrical Shock Hazard

Plug into a grounded 3 prong outlet.

Do not remove ground prong.

Do not use an adapter.

Do not use an extension cord.

Failure to follow these instructions can result in death, fire, or electrical shock.

- **The power supply cord is unplugged.** Plug into a grounded 3 prong outlet. See "Electrical Requirements."

- **The power supply cord has tripped (Reset button has popped out).** Press and release RESET (listen for click; Reset button will latch and on some devices, a green light will turn on) to resume operation.
- **A household fuse has blown, or circuit breaker has tripped.** Replace the fuse or reset the circuit breaker. If the problem continues, call an electrician. See "Electrical Requirements."
- **The Power button has not been pressed or the Mode control knob is turned to Off.** Press POWER or turn the Mode control knob to an active setting.
- **The local power has failed.** Wait for power to be restored.

Air conditioner blows fuses or trips circuit breakers

- **Too many appliances are being used on the same circuit.** Unplug or relocate appliances that share the same circuit.
- **Time-delay fuse or circuit breaker of the wrong capacity is being used.** Replace with a time-delay fuse or circuit breaker of the correct capacity. See "Electrical Requirements."



- **An extension cord is being used.** Do not use an extension cord with this or any other appliance.
- **You are trying to restart the air conditioner too soon after turning off the air conditioner.** Wait at least 3 minutes after turning off the air conditioner before trying to restart the air conditioner.

Air conditioner power supply cord trips (Reset button pops out)

- **Disturbances in your electrical current can trip (Reset button will pop out) the power supply cord.** Press and release RESET (listen for click; Reset button will latch and on some devices, a green light will turn on) to resume operation.
- **Electrical overloading, overheating, cord pinching or aging can trip (Reset button will pop out) the power supply cord.** After correcting the problem, press and release RESET (listen for click; Reset button will latch and on some devices, a green light will turn on) to resume operation.

NOTE: A damaged power supply cord must be replaced with a new power supply cord obtained from the product manufacturer and must not be repaired.

Air conditioner seems to run too much

- **The current air conditioner replaced an older model.** The use of more efficient components may cause the air conditioner to run longer than an older model, but the total energy consumption will be less. Newer air conditioners do not emit the “blast” of cold air you may be accustomed to from older air conditioners, but this is not an indication of lesser cooling capacity or efficiency. Refer to the efficiency rating (EER) and capacity rating (in Btu/h) marked on the air conditioner.
- **The air conditioner is in a heavily occupied room, or heatproducing appliances are in use in the room.** Use exhaust vent fans while cooking or bathing and try not to use heatproducing appliances during the hottest part of the day. A higher capacity air conditioner may be required, depending on the size of the room being cooled.

Air conditioner cycles on and off too much or does not cool room in cooling mode

- **The air conditioner is not properly sized for your room.** Check the cooling capabilities of your room air conditioner. Room air conditioners are not designed to cool multiple rooms.
- **The filter is dirty or obstructed by debris.** Clean the filter.
- **There is excessive heat or moisture (open container cooking, showers, etc.) in the room.** Use a fan to exhaust heat or moisture from the room. Try not to use heatproducing appliances during the hottest part of the day.
- **The louvers are blocked.** Install the air conditioner in a location where the louvers are free from curtains, blinds, furniture, etc.
- **The outside temperature is below 61°F (16°C).** Do not try to operate your air conditioner in the cooling mode when the outside temperature is below 61°F (16°C).
- **The temperature of the room you are trying to cool is extremely hot.** Allow extra time for the air conditioner to cool off a very hot room.
- **Windows or doors to the outside are open.** Close all windows and doors.
- **The Temperature control is not at a cool enough setting.** Adjust the TEMP/TIME control to a cooler setting by pressing the minus button to reduce the temperature. Set the Fan Speed control to the highest setting.

Water drips from cabinet into your house

- The air conditioner is not properly leveled. The air conditioner should slope slightly downward toward the outside. Level the air conditioner to provide a downward slope toward the outside to ensure proper drainage. See the Installation Instructions.
NOTE: Do not drill a hole into the bottom of the metal base and condensate pan.





ASSISTANCE OR SERVICE

Before calling for assistance or service, please check "Troubleshooting." It may save you the cost of a service call. If you still need help, follow the instructions below.

When calling, please know the purchase date and the complete model and serial number of your appliance. This information will help us to better respond to your request.

If you need replacement parts

If you need to order replacement parts, we recommend that you use only factory-specified replacement parts. Factory-specified replacement parts will fit right and work right because they are made with the same precision used to build every new appliance. To locate factory-specified replacement parts in your area, call your nearest designated service center.

Please record your model's information.

Whenever you call to request service on your appliance, you need to know your complete model number and serial number.

You can find this information on the model and serial number label. See "Electrical Requirements" for the location of the model and serial number label.

Please record the model and serial number information below. Also, record the purchase date of your appliance and the store's name, address, and telephone number.

Model Number _____

Serial Number _____

Purchase Date _____

Store Name _____

Store Address _____

Store Phone _____

Keep this book and the sales slip together for future reference.

In the U.S.A.

Visit www.haieramerica.com or call Haier America toll free: **1-888-842-2440**.

Our consultants provide assistance with:

- Features and specifications on our appliances.
- Installation information.
- Use and maintenance procedures.
- Repair parts sales.
- Referrals to repair parts distributors, and service companies. Manufacturer-authorized service technicians are trained to fulfill the product warranty and provide after-warranty service, anywhere in the United States.

For Further Assistance

If you need further assistance, you can write with any questions or concerns to:

Haier America
1356 Broadway
New York, NY 10018

Please include a daytime phone number in your correspondence.

In Canada

Call Haier America toll free: **1-888-842-2440**.

Our consultants provide assistance with:

- Features and specifications on our appliances.
- Installation information.
- Use and maintenance procedures.
- Repair parts sales.
- Referrals to repair parts distributors, and service companies. Manufacturer-authorized service technicians are trained to fulfill the product warranty and provide after-warranty service, anywhere in the Canada.

For Further Assistance

If you need further assistance, you can write with any questions or concerns to:

Haier America
1356 Broadway
New York, NY 10018

Please include a daytime phone number in your correspondence.



LIMITED WARRANTY

ONE YEAR LIMITED WARRANTY

This warranty covers all defects in workmanship or material for the mechanical and electrical parts (including labor costs) contained in this product for a period of 12 months from the date of purchase. For commercial or rental application, the warranty is 90 days. You must keep and be able to provide your original sales receipt as proof of the date of purchase.

FIVE YEAR LIMITED WARRANTY ON THE SEALED SYSTEM

The sealed system and compressor (hermetic compressor, condenser and evaporator) contained in this product is for a period of 5 years from the date of purchase (excluding labor costs after the initial 12-month period). In commercial or rental use, the additional limited compressor warranty is for 1 year and 9 months (excluding labor costs after the initial 90-day period). You must keep and be able to provide your original sales receipt as proof of the date of purchase.

WHO IS COVERED

The original retail purchaser of this product.

WHAT WILL BE DONE

Haier America will repair or replace any mechanical, electrical part or the compressor, which proves defective in normal household use for a period of 12 months. Haier America will repair or replace (excluding labor costs) the sealed system and compressor (parts only) for an additional 4-year period.

HOW CAN YOU GET SERVICE

Contact your nearest manufacturer-authorized Service Depot. For the name of the Service Depot nearest you, contact Haier America at **1-888-842-2440**.

All service must be performed by a manufacturer-authorized Service Depot.

THIS WARRANTY DOES NOT COVER

1. Damages from improper installation.
2. Damages in shipping.
3. Defects other than manufacturing.
4. Damages from misuse, abuse, accident, alteration, lack of proper care and maintenance or incorrect current or voltage.
5. Damage from other than household use.
6. Damages from service by other than an authorized dealer or service center.
7. Decorative trims or replaceable light bulbs.
8. Labor, service, transportation and shipping charges for the removal of defective parts and installation of replacement parts beyond the initial 12-month period.
9. Credit or refund for products over 30 days past date of purchase, or for any loss or injury caused by the product or defects to the product including but not limited to incidental or consequential damages.
10. Food loss for food spoiled as a direct result of mechanical failure of a product or of any delay in providing service, repair or replacement.
11. Refurbished product purchased as/like new or second-hand.

THIS LIMITED WARRANTY IS GIVEN IN LIEU OF ALL OTHER WARRANTIES, EXPRESS OR IMPLIED, INCLUDING THE WARRANTIES OF MERCHANTABILITY AND FITNESS FOR A PARTICULAR PURPOSE.

The remedy provided in this warranty is exclusive and is granted in lieu of all other remedies. This warranty does not cover incidental or consequential damages. Some states do not allow the exclusion of incidental or consequential damages, so this limitation may not apply to you. Some states do not allow limitations on how long an implied warranty lasts, so this limitation may not apply to you. This warranty gives you specific legal rights and you may also have other rights which vary from state to state.

This warranty covers units within the continental United States, Canada and Puerto Rico.

©Copyright 2010
All rights reserved.

Amana® is a registered Trademark/TM of Maytag Corporation or its related companies. Manufactured under license by Haier America, New York, New York.
Used under license by Maytag Limited in Canada.





SEGURIDAD DEL ACONDICIONADOR DE AIRE

Su seguridad y la seguridad de los demás es muy importante.

Hemos incluido muchos mensajes importantes de seguridad en este manual y en su electrodoméstico. Lea y obedezca siempre todos los mensajes de seguridad.



Este es el símbolo de advertencia de seguridad.

Este símbolo le llama la atención sobre peligros potenciales que pueden ocasionar la muerte o una lesión a usted y a los demás.

Todos los mensajes de seguridad irán a continuación del símbolo de advertencia de seguridad y de la palabra "PELIGRO" o "ADVERTENCIA". Estas palabras significan:

⚠ PELIGRO

Si no sigue las instrucciones de inmediato, usted puede morir o sufrir una lesión grave.

⚠ ADVERTENCIA

Si no sigue las instrucciones, usted puede morir o sufrir una lesión grave.

Todos los mensajes de seguridad le dirán el peligro potencial, le dirán cómo reducir las posibilidades de sufrir una lesión y lo que puede suceder si no se siguen las instrucciones.

INSTRUCCIONES IMPORTANTES DE SEGURIDAD

ADVERTENCIA: Para reducir el riesgo de incendio, descarga eléctrica o lesiones cuando utiliza su acondicionador de aire, tenga en cuenta estas precauciones básicas:

- Enchufe a un tomacorriente de 3 entradas.
- No quite la clavija de descarga a tierra.
- No use un adaptador.
- No utilice cable de prolongación.
- Desconecte el acondicionador de aire antes de darle servicio.
- Dos o más personas deben mover e instalar el acondicionador de aire.

CONSERVE ESTAS INSTRUCCIONES

REQUISITOS DE INSTALACIÓN

Herramientas y piezas

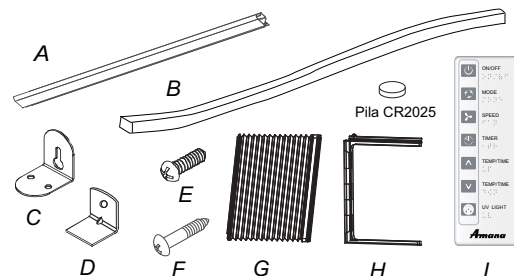
Reúna todas las herramientas y piezas necesarias antes de comenzar la instalación. Lea y siga las instrucciones provistas con cualquiera de las herramientas enlistadas aquí.

Herramientas necesarias

- Destornillador Phillips
- Destornillador de cabeza plana
- Tijeras
- Nivel
- Llave de cubo y puntas
- Cinta de medir
- Taladro inalámbrico y broca de 1/8"
- Lápiz
- Pinzas
- Llave ajustable

Piezas suministradas

Verifique que todas las piezas estén incluidas en el paquete de piezas.



- A. Marco con ranura superior
- B. Junta de espuma
- C. Soportes laterales (2)
- D. Ménsula de traba de la ventana
- E. Tornillos de $\frac{1}{32}$ " (4)
- F. Tornillos de $\frac{3}{32}$ " (9)
- G. Cortinas laterales (2)
- H. Marcos para cortinas laterales (2)
- I. Control remoto

Requisitos de ubicación

IMPORTANTE: Umpla todos los códigos y reglamentaciones que se apliquen.

Revise la ubicación donde se instalará el acondicionador de aire. Asegúrese de contar con todo lo necesario para una instalación correcta.

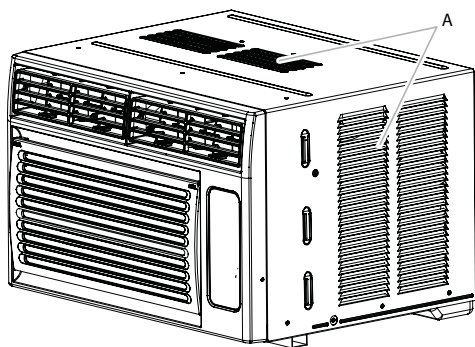
La ubicación debe contar con:

- Toma de corriente con descarga a tierra a no más de 4 pies (122 cm) de donde sale el cable de energía del acondicionador de aire.

NOTA: No utilice cable de prolongación.

- Movimiento libre de aire en la habitación que se va a enfriar.
- Una abertura lo suficientemente grande para el acondicionador de aire. Se suministran piezas de instalación para las ventanas de guillotina.
- Soporte adecuado de la pared para el peso del acondicionador de aire. El acondicionador de aire pesa entre 44 y 76 libras (entre 20.0 Kg,y 34.5 Kg.).

NOTA: No deben obstruirse las rejillas del gabinete. El aire debe poder pasar libremente por las rejillas del gabinete.

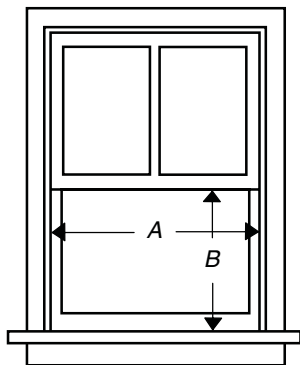


A. Rejillas del gabinete

Instalación en la ventana

Medidas de abertura de la ventana:

- Ancho de la abertura de 24½" como mínimo y 38" (62.2 cm a 96.5 cm) como máximo.
- 14⅞" (37 cm) como mínimo de alto de abertura.



A. 24½" (62.2 cm) minimum

B. 14⅞" (37 cm) minimum

Requisitos eléctricos

⚠ ADVERTENCIA



Peligro de Choque Eléctrico

Conecte a un contacto de pared de conexión a tierra de 3 terminales.

No quite la terminal de conexión a tierra.

No use un adaptador.

No use un cable eléctrico de extensión.

No seguir estas instrucciones puede ocasionar la muerte, incendio o choque eléctrico.

Las especificaciones eléctricas de su acondicionador de aire se indican en la etiqueta con el número de modelo y de serie. La etiqueta con el número de modelo y de serie está ubicada en alguno de los lados o en la parte trasera del gabinete del acondicionador de aire o detrás de la parrilla delantera.

En el cuadro a continuación se indican los requisitos eléctricos específicos.

Respete los requisitos en cuanto al tipo de enchufe en el cable de suministro de energía.

Cable de alimentación

Requisitos para la instalación eléctrica



- 115 voltios (103,5 mín. a 126,5 máx.)
- 0 a 12 amperes
- Fusible retardador de 15 amperes o interruptor automático
- Utilícelo únicamente en un circuito con un solo tomacorriente.

Método de conexión a tierra recomendado

Este acondicionador de aire debe tener conexión a tierra. Este acondicionador de aire está equipado con un cable de suministro de energía con un enchufe con descarga a tierra de tres clavijas. El cable debe enchufarse en un tomacorriente del mismo tipo, tomacorriente con descarga a tierra con 3 entradas, la descarga a tierra debe cumplir todos los códigos y ordenanzas locales. Si no se cuenta con un tomacorriente con las mismas características, es responsabilidad del usuario hacer que un electricista calificado instale un tomacorriente con la descarga a tierra adecuada con 3 entradas.

Es responsabilidad del usuario:

- Ponerse en contacto con un electricista calificado.
- Asegurarse de que la instalación eléctrica sea adecuada y que cumpla con el Código Eléctrico Nacional de los Estados Unidos de América, ANSI/NFPA 70 en su última edición y todos los códigos y ordenanzas locales.

Se pueden obtener copias de las normas citadas en:

Asociación Nacional de Protección contra Incendios

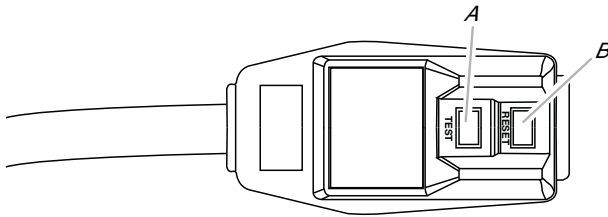
1 Batterymarch Park

Quincy, MA 02169



Cable de alimentación

NOTA: Su acondicionador de aire puede ser diferente del que se muestra.



A. Botón de prueba

B. Botón de reposición

Este acondicionador de aire de habitación está equipado con un cable de suministro de energía que cumple con los requerimientos UL. Este cable de suministro de energía contiene elementos electrónicos de última generación que detectan las fugas de corriente. Si el cable se aplasta, el artefacto detecta fuga de corriente y la energía se desconecta en una fracción de segundo.

⚠ ADVERTENCIA



Peligro de Choque Eléctrico

Conecte a un contacto de pared de conexión a tierra de 3 terminales.

No quite la terminal de conexión a tierra.

No use un adaptador.

No use un cable eléctrico de extensión.

No seguir estas instrucciones puede ocasionar la muerte, incendio o choque eléctrico.

Para probar su cable de suministro de energía:

1. Enchufe el cable de suministro de energía en un tomacorriente de 3 entradas.
2. Presione RESET (REINICIO) (en algunos dispositivos, se encenderá una luz verde).
3. Presione TEST (PRUEBA) (escuche el clic; el botón Reset (Reinicio) se desconectará y, en algunos dispositivos, se apagará la luz verde).
4. Presione y libere RESET (REINICIO) (escuche el clic; el botón Reset (Reinicio) quedará trabado y la luz verde se encenderá). El cable de suministro de energía está listo para su funcionamiento.

NOTAS:

- El botón Reset (Reinicio) debe estar presionado hacia adentro para que el funcionamiento sea adecuado.
- El cable de suministro de energía debe reemplazarse si no se desconecta cuando se presiona el botón de prueba o si no se reinicia.
- No utilice el cable de suministro de energía como interruptor de encendido/apagado.
- Los cables de energía dañados deben ser reemplazados por cables de suministro de energía nuevos adquiridos al fabricante del producto y no deben repararse.
- El cable de suministro de energía no contiene piezas que pueda reparar el usuario. Si se abre la cubierta resistente a la manipulación indebida, se anula la garantía y los reclamos por rendimiento.

INSTRUCCIONES DE INSTALACIÓN

Desempaque el acondicionador de aire

⚠ ADVERTENCIA

Peligro de Peso Excesivo

Use dos o más personas para mover e instalar el acondicionador de aire.

No seguir esta instrucción puede ocasionar una lesión en la espalda u otro tipo de lesiones.

Quite los materiales de empaque

- Quite y deseche o recicle los materiales de empaque. Quite la cinta y los restos de pegamento de las superficies antes de encender el acondicionador de aire. Frote con los dedos una pequeña cantidad de jabón para vajilla líquido sobre los adhesivos. Limpie con agua tibia y seque con un paño.
- No use instrumentos cortantes, alcohol de fricción, fluidos inflamables o limpiadores abrasivos para quitar la cinta o el pegamento. Estos productos pueden dañar la superficie de su acondicionador de aire.
- Manipule con suavidad el acondicionador de aire.



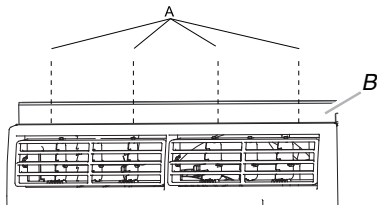
Prepare el acondicionador de aire para la instalación

Instale el canal superior

Prepare el acondicionador de aire para la instalación
Instalación del marco con ranura superior

1. Ubique el marco con ranura superior en la parte de arriba del acondicionador de aire, alineando los agujeros del marco con los agujeros de la parte superior del acondicionador de aire.
2. Sujete el canal superior al acondicionador de aire usando cuatro tornillos de $\frac{13}{32}$ ''.
3. Retire el panel frontal y rótelos hasta su posición. Separe el tablero del panel de control aflojando las lengüetas.

NOTA: Su modelo podría variar del modelo que se muestra.

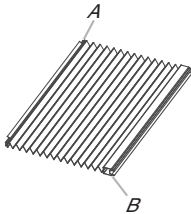


A. Tornillos de $\frac{13}{32}$ ''
B. Marco con ranura superior

Instalación de las cortinas laterales

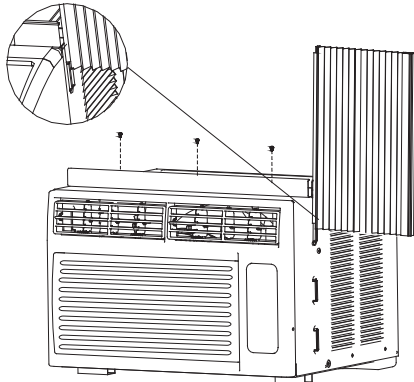
NOTA: Una las cortinas con el acondicionador de aire antes de ubicar el acondicionador de aire en la ventana..

1. Ubique el lado con lengüeta de la cortina lateral en la guía del lado derecho del gabinete del acondicionador de aire.

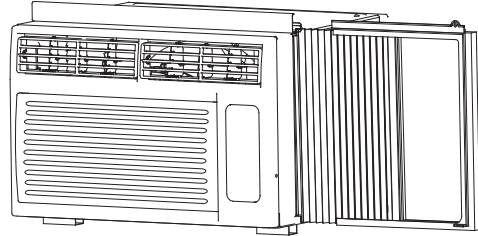


A. Lado con lengüeta de la cortina lateral
B. Lado con borde de cierre de la cortina lateral

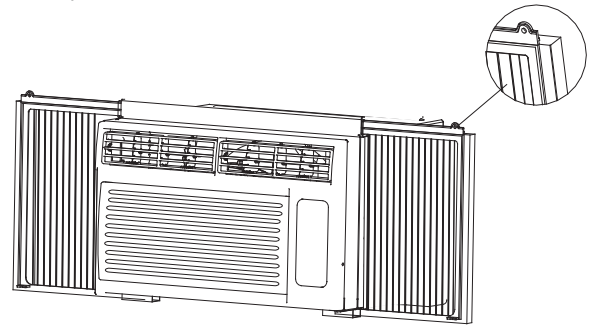
2. Deslice la cortina lateral hacia abajo por la guía hasta que esté alineada con la parte superior e inferior del gabinete del acondicionador de aire.



3. Deslice el marco de la cortina lateral por el marco superior con ranura en la parte de arriba del acondicionador de aire y por la guía en la parte de abajo del acondicionador de aire.

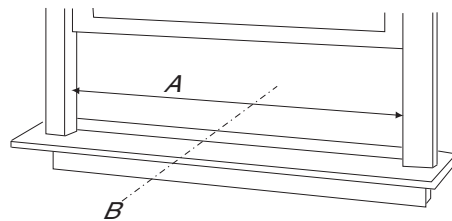


4. Deslice el marco de la cortina lateral hasta que quede tan cerca como sea posible del acondicionador de aire, lo necesario como para que la cortina lateral se trabe con el marco.
5. Repita los pasos de arriba para la cortina y el marco del lado izquierdo.



Preparación de la ventana para la instalación

1. Mida el ancho de la abertura de la ventana.
2. Marque la línea del centro en el interior de la repisa de la ventana.



A. Ancho de la abertura de la ventana
B. Línea del centro



Coloque el acondicionador de aire en su lugar

⚠ ADVERTENCIA

Peligro de Peso Excesivo

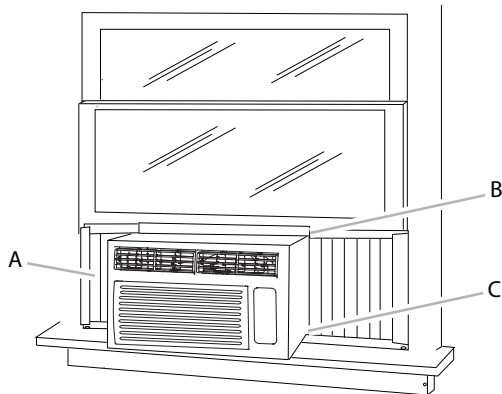
Use dos o más personas para mover e instalar el acondicionador de aire.

No seguir esta instrucción puede ocasionar una lesión en la espalda u otro tipo de lesiones.

NOTAS:

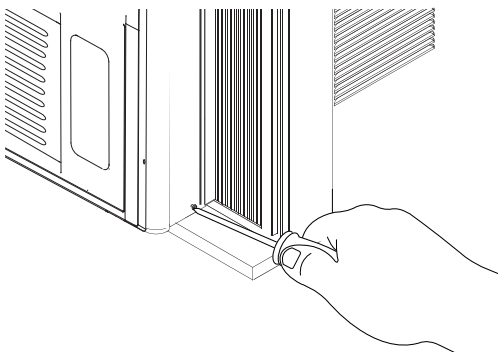
- Manipule con suavidad el acondicionador de aire.
 - Asegúrese de que su acondicionador de aire no caiga por la abertura durante la instalación o cuando lo retire.
 - El lugar de donde sale el cable de energía del acondicionador de aire no debe estar a más de 4 pies (122 cm) de un tomacorriente con descarga a tierra.
 - No obstruya las rejillas del panel frontal.
 - No obstruya las rejillas de la parte exterior del acondicionador de aire.
1. Centre la cubierta exterior en la ventana. Baje la hoja de la ventana detrás del canal superior para sostener el gabinete en su lugar

NOTA: Su modelo podría variar del modelo que se muestra.

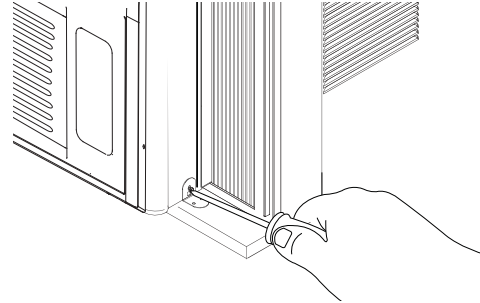


- A. Cortina lateral contra canal de la ventana
 B. Hoja de la ventana detrás del marco superior con ranura
 C. Canal inferior detrás de la repisa de la ventana

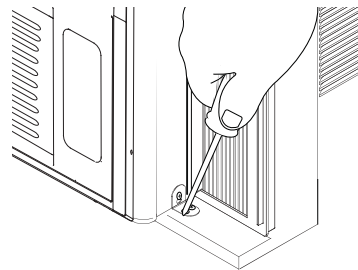
2. Afloje los tornillos del lado derecho del gabinete del acondicionador de aire cerca de la parte inferior.



3. Deslice el soporte lateral sobre el tornillo.
4. Ajuste el tornillo. El soporte lateral debe estar apoyado en la repisa de la ventana.



5. Use una broca para taladro de $\frac{1}{8}$ " para perforar un agujero de guía en los agujeros del soporte lateral y de la repisa de la ventana.
6. Una el soporte lateral con la repisa de la ventana con dos tornillos de $\frac{3}{32}$ ".



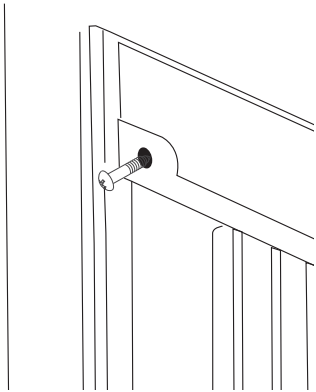
7. Repita los pasos para la instalación del soporte lateral en el lado izquierdo del acondicionador de aire.

Una las cortinas laterales a la ventana

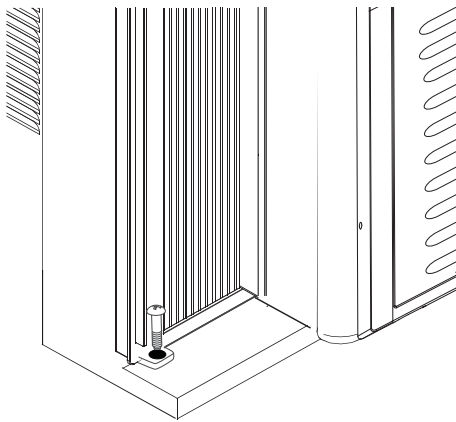
1. Jale la cortina de la izquierda hacia fuera hasta que se encastre con el canal de la ventana.
2. Use una broca para taladro de $\frac{1}{8}$ " para perforar un agujero de guía en el agujero superior de la cortina lateral y en la repisa de la ventana.
3. Introduzca uno de los tornillos de $\frac{3}{32}$ " en el agujero superior de la cortina del lado izquierdo y en la repisa de la ventana.
4. Repita los pasos para la cortina de la derecha.
5. Use una broca para taladro de $\frac{1}{8}$ " para perforar un agujero de guía en el agujero inferior de la cortina lateral y en el marco de la ventana.
6. Introduzca uno de los tornillos de $\frac{3}{32}$ " en el agujero inferior de la cortina del lado izquierdo y en el marco de la ventana.
7. Repita los pasos para la cortina de la derecha.



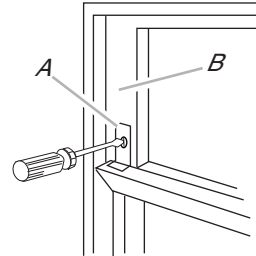
Vista superior



Vista inferior



4. Enchufe a un tomacorriente de 3 entradas.
5. Presione RESET (REINICIAR) en el cable de suministro de energía. Consulte "Requisitos eléctricos".



⚠ ADVERTENCIA



Peligro de Choque Eléctrico

Conecte a un contacto de pared de conexión a tierra de 3 terminales.

No quite la terminal de conexión a tierra.

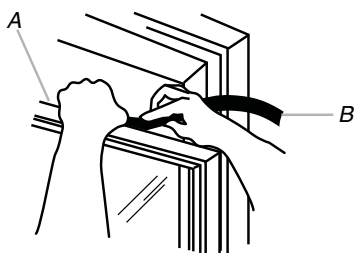
No use un adaptador.

No use un cable eléctrico de extensión.

No seguir estas instrucciones puede ocasionar la muerte, incendio o choque eléctrico.

Complete la instalación

1. Introduzca la junta de espuma detrás de la parte superior de la hoja inferior de la ventana y contra el vidrio de la ventana superior.



A. Parte superior de la hoja inferior de la ventana.
B. Junta de espuma

2. Ubique la ménsula de traba de la ventana como se muestra. Use una broca para taladro de $\frac{1}{8}$ " para perforar un agujero de guía en la ménsula de traba de la ventana y en la ventana superior.
3. Una la ménsula de traba de la ventana con la ventana superior con un tornillo de $\frac{3}{32}$ " para asegurar la ventana en su lugar.





CÓMO USAR EL ACONDICIONADOR DE AIRE

Si su acondicionador de aire funciona correctamente, podrá obtener los mejores resultados posibles.

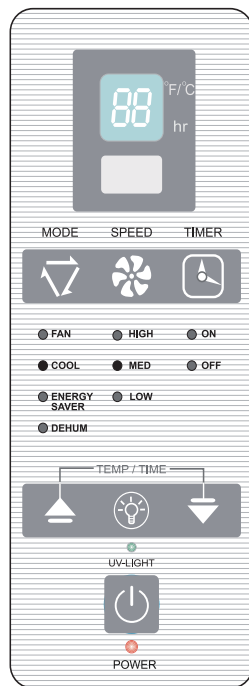
Esta sección explica el funcionamiento correcto del acondicionador de aire.

IMPORTANTE:

■ Si apaga el acondicionador de aire, espere al menos 3 minutos antes de volver a encenderlo. De esta manera se evita que el acondicionador de aire queme un fusible o haga saltar el interruptor automático.

■ No intente poner en funcionamiento el acondicionador de aire en el modo de enfriamiento cuando la temperatura exterior está por debajo de los 61°F (16°C). El serpentín del evaporador interior se congelará y el acondicionador de aire no funcionará correctamente.

Cómo poner en marcha su acondicionador de aire



1. Quite la película plástica transparente del panel de control.
2. Presione POWER (ENCENDIDO) para encender el acondicionador de aire. La luz indicadora de encendido se encenderá.



NOTA: Cuando el acondicionador de aire está enchufado, el visor LED mostrará "88" durante 3 segundos. Cuando el acondicionador de aire se enciende por primera vez, el visor muestra la temperatura actual de la habitación y el ventilador se configura en velocidad baja.

Luego de que la unidad esté enchufada pero antes de encenderla, mantenga presionado el botón POWER (ENCENDIDO) por 5 segundos para cambiar el indicador de temperatura entre grados Fahrenheit (F) y Celsius (C).

3. Seleccione el modo. Consulte "Modo".

4. Seleccione la velocidad del ventilador. Consulte "Velocidad del ventilador".
5. Configure la temperatura. Consulte "Temperatura".

Modo

1. Presione MODE (MODO) hasta que vea que la luz indicadora brille para la configuración deseada.
2. Elija Fan (Ventilador), Cool (Enfriamiento), Energy Saver (Ahorro de energía) o Dehum (Deshumidificador).

- Fan—Funciona únicamente el ventilador. Presione SPEED (VELOCIDAD) para seleccionar velocidad de ventilador High (Alta), Med (Media) o Low (Baja). El visor muestra la temperatura actual de la habitación.
- Cool—Enfría la habitación. Presione SPEED (VELOCIDAD) para seleccionar velocidad de ventilador High (Alta), Med (Media) o Low (Baja). Presione el botón de la flecha hacia arriba o hacia abajo TEMP/TIME (TEMPERATURA/TIEMPO) para ajustar la temperatura.
- Energy Saver—El ventilador funciona únicamente cuando es necesario enfriar. Presione SPEED (VELOCIDAD) para seleccionar velocidad de ventilador High (Alta), Med (Media) o Low (Baja).

Como el ventilador no circula el aire de la habitación de manera continua, se utiliza menos energía, pero el aire de la habitación no circula con tanta frecuencia.

- Dehum—Seca la habitación. El acondicionador de aire selecciona automáticamente la temperatura.

NOTA:

- El modo deshumidificador no debe utilizarse para enfriar la habitación.
- En el modo de Dehum (Deshumidificador), No funcione el botón de Speed (Velocidad)

MODE



FAN

COOL

ENERGY SAVER

DEHUM

Velocidad del ventilador

1. Presione FAN SPEED (VELOCIDAD DEL VENTILADOR) hasta que vea que la luz indicadora brille para la configuración deseada.



2. Elija High (Alta), Med (Media) o Low (Baja).

- High—para un enfriamiento máximo
- Med—para un enfriamiento normal
- Low—para un enfriamiento mínimo

SPEED

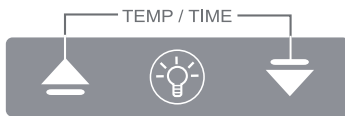


- HIGH
- MED
- LOW

Temperatura

- Presione el botón de la flecha hacia arriba TEMP/TIME (TEMPERATURA/TIEMPO) para subir la temperatura. Cada vez que presiona o mantiene presionado el botón de la flecha hacia arriba TEMP/TIME (TEMPERATURA/TIEMPO), la temperatura sube 1°F hasta que llega a 86°F (30°C).

NOTA: Después de 5 segundos, el visor mostrará la temperatura actual de la habitación.



- Presione el botón de la flecha hacia abajo TEMP/TIME (TEMPERATURA/TIEMPO) para bajar la temperatura. Cada vez que presiona o mantiene presionado el botón de la flecha hacia abajo TEMP/TIME (TEMPERATURA/TIEMPO), la temperatura baja 1°F hasta que llega a 61°F (16°C).

NOTA: Después de 5 segundos, el visor mostrará la temperatura actual de la habitación.

Demora con temporizador

Para configurar el temporizador para una demora de entre 1 y 24 horas hasta que el acondicionador de aire se apague (el acondicionador de aire debe estar encendido):

1. Presione TIMER (TEMPORIZADOR). La luz indicadora de encendido del temporizador destellará. El visor mostrará las horas restantes antes de que se apague el acondicionador de aire.

TIMER



- ON
- OFF

2. Presione el botón de la flecha hacia arriba o hacia abajo TEMP/TIME (TEMPERATURA/TIEMPO) para cambiar el tiempo de demora de 1 a 24 horas.
3. Después de 5 segundos, la luz indicadora de encendido del temporizador quedará encendida. El visor muestra la temperatura actual de la habitación.

Para configurar el temporizador para encender el acondicionador de aire manteniendo las configuraciones previas:

1. Apague el acondicionador de aire.
2. Presione TIMER (TEMPORIZADOR). La luz indicadora de encendido del temporizador destellará. El visor mostrará las horas restantes antes de que se encienda el acondicionador de aire.

3. Presione el botón de la flecha hacia arriba o hacia abajo TEMP/TIME (TEMPERATURA/TIEMPO) para cambiar el tiempo de demora de 1 a 24 horas.
4. La luz indicadora de encendido del temporizador quedará encendida.

El visor muestra la temperatura actual de la habitación.

Para configurar el temporizador para encender el acondicionador de aire cambiando las configuraciones previas:

1. Encienda el acondicionador de aire.
2. Ajuste el modo en Fan (Ventilador), Cool (Enfriamiento), Energy Saver (Ahorro de energía) o Dehum (Deshumidificador).
3. Para los modos Fan (Ventilador), Cool (Enfriamiento) o Energy Saver (Ahorro de energía), ajuste la velocidad del ventilador en High (Alta), Med (Media) o Low (Baja).

4. Ajuste la temperatura entre 61°F y 86°F (16°C y 30°C).

NOTA: En el modo ventilador, no puede configurarse la temperatura.

5. Presione TIMER (TEMPORIZADOR). La luz indicadora de encendido del temporizador destellará. El visor mostrará las horas restantes antes de que se encienda el acondicionador de aire.
6. Presione el botón de la flecha hacia arriba o hacia abajo TEMP/TIME (TEMPERATURA/TIEMPO) para cambiar el tiempo de demora de 1 a 24 horas.
7. La luz indicadora de encendido del temporizador quedará encendida.

El visor muestra la temperatura actual de la habitación.

Para borrar el programa de demora con temporizador:

NOTA: El acondicionador de aire puede estar encendido o apagado.

1. Presione TIMER (TEMPORIZADOR) una vez después de que se programó. El visor mostrará el tiempo restante.
2. Mientras el tiempo restante está mostrando por la pantalla, presione TIMER (TEMPORIZADOR) hasta encenderse la luz indicadora de Timer.

Para ver o cambiar el tiempo restante (en horas):

Timer OFF (Temporizador apagado) :

1. Presione TEMP/TIME (TEMPERATURA/TIEMPO) una vez después de que se programó. El visor que se encuentra en el panel de control del acondicionador de aire mostrará el tiempo restante.
2. Mientras el visor muestra el tiempo restante, presione el botón con la flecha hacia arriba o hacia abajo TEMP/TIME (TEMPERATURA/TIEMPO) para aumentar o disminuir el tiempo.
3. Después de 5 segundos, el visor que se encuentra en el panel de control del acondicionador de aire mostrará la temperatura actual de la habitación.

Timer On (Temporizador encendido) :

1. El visor que se encuentra en el panel de control del acondicionador de aire mostrará el tiempo restante.
2. Mientras la pantalla muestra el tiempo restante, presione el botón de TEMP/TIME (Temperatura/Tiempo) con la flecha hacia arriba o hacia abajo para aumentar o disminuir el tiempo.

Purificador de aire con luz UV

El sistema de purificación de aire fotocatalítico limpia, desodoriza y purifica el aire interior mediante el uso de un filtro tratado con dióxido de titanio. Un pequeño diodo emisor de luz UV ubicado sobre el filtro activa el revestimiento de dióxido de titanio y produce una reacción de purificación similar a la de la luz del sol. Esta reacción convierte oxígeno y agua en radicales libres de hidroxilo que purifican el aire.

NOTAS:

- Para encender el purificador de aire con luz UV, presione el icono de luz UV del control remoto. Consulte "Cómo usar el control remoto".

■ Se recomienda que el filtro de luz UV se limpie una vez al año. Consulte "Cuidado de su acondicionador de aire".



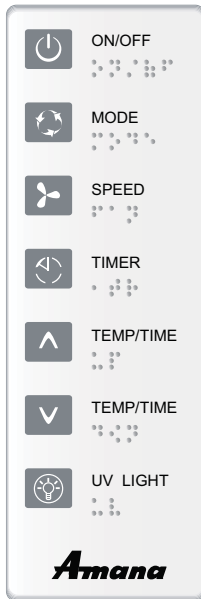
UV-LIGHT





Cómo usar el control remoto *

NOTA: El control remoto puede tener una apariencia diferente.



* Los puntos son texto en Braille para los discapacitados visuales.



- Presione el botón de la flecha hacia abajo TEMP/TIME (TEMPERATURA/TIEMPO) para bajar la temperatura. Cada vez que presiona o mantiene presionado el botón de la flecha hacia abajo TEMP/TIME (TEMPERATURA/TIEMPO), la temperatura baja 1°F hasta que llega a 61°F (16°C).



Temporizador

Para configurar el temporizador para una demora de entre 1 y 24 horas hasta que el acondicionador de aire se apague (el acondicionador de aire debe estar encendido):

1. Presione TIMER (TEMPORIZADOR). La luz indicadora de temporizador encendido en el panel de control del acondicionador de aire destellará.



2. Presione el botón de la flecha hacia arriba o hacia abajo TEMP/TIME (TEMPERATURA/TIEMPO) para cambiar el tiempo de demora de 1 a 24 horas.
3. Después de 5 segundos, la luz indicadora de temporizador encendido en el panel de control del acondicionador de aire permanecerá encendida.

Para configurar el temporizador para encender el acondicionador de aire manteniendo las configuraciones previas:

1. Apague el acondicionador de aire.
2. Presione TIMER (TEMPORIZADOR). La luz indicadora de temporizador encendido en el panel de control del acondicionador de aire destellará.
3. Presione el botón de la flecha hacia arriba o hacia abajo TEMP/TIME (TEMPERATURA/TIEMPO) para cambiar el tiempo de demora de 1 a 24 horas.
4. Después de 5 segundos, la luz indicadora de temporizador encendido en el panel de control del acondicionador de aire permanecerá encendida.

Para configurar el temporizador para encender el acondicionador de aire y cambiar las configuraciones previas:

1. Encienda el acondicionador de aire.
2. Ajuste el modo en Fan (Ventilador), Cool (Enfriamiento), Energy Saver (Ahorro de energía) o Dehum (Deshumidificador).
3. Para los modos Fan (Ventilador), Cool (Enfriamiento) o Energy Saver (Ahorro de energía), ajuste la velocidad del ventilador en High (Alta), Med (Media) o Low (Baja)

NOTA: Una pila CR2025 (incluida) da energía al control remoto. Reemplace la pila después de 6 meses de uso o cuando el control remoto comience a perder energía.

Alimentación

Presione ON/OFF (ENCENDIDO/APAGADO) para encender el acondicionador de aire.



Modo

Presione MODE (MODO) para elegir Fan (Ventilador), Cool (Enfriamiento), Energy Saver (Ahorro de energía) o Dehum (Deshumidificador).



Velocidad

Presione SPEED (VELOCIDAD) para elegir High (Alta), Med (Media) o Low (Baja).



Temperatura

- Presione el botón de la flecha hacia arriba TEMP/TIME (TEMPERATURA/TIEMPO) para subir la temperatura. Cada vez que presiona o mantiene presionado el botón de la flecha hacia arriba TEMP/TIME (TEMPERATURA/TIEMPO), la temperatura sube 1°F hasta que llega a 86°F (30°C).



- Ajuste la temperatura entre 61°F y 86°F (16°C y 30°C).

NOTA: En el modo ventilador, no puede configurarse la temperatura.

- Presione TIMER (TEMPORIZADOR). La luz indicadora de temporizador encendido en el panel de control del acondicionador de aire destellará. El visor mostrará las horas restantes antes de que se encienda el acondicionador de aire.
- Presione el botón de la flecha hacia arriba o hacia abajo TEMP/TIME (TEMPERATURA/TIEMPO) para cambiar el tiempo de demora de 1 a 24 horas.
- La luz indicadora de temporizador encendido en el panel de control del acondicionador de aire permanecerá encendida.

Para borrar el programa de demora con temporizador:

NOTA: El acondicionador de aire puede estar encendido o apagado.

- Presione TIMER (TEMPORIZADOR) una vez después de que se programó. El visor que se encuentra en el panel de control del acondicionador de aire mostrará el tiempo restante.
- Mientras el tiempo restante está mostrando por la pantalla, Presione TIMER (TEMPORIZADOR) hasta encenderse la luz indicadora de Timer.

Para ver o cambiar el tiempo restante (en horas):

Timer OFF (Temporizador apagado) :

- Presione TEMP/TIME (TEMPERATURA/TIEMPO) una vez después de que se programó. El visor que se encuentra en el panel de control del acondicionador de aire mostrará el tiempo restante.
- Mientras el visor muestra el tiempo restante, presione el botón con la flecha hacia arriba o hacia abajo TEMP/TIME (TEMPERATURA/TIEMPO) para aumentar o disminuir el tiempo.
- Después de 5 segundos, el visor que se encuentra en el panel de control del acondicionador de aire mostrará la temperatura actual de la habitación.

Timer On (Temporizador encendido) :

- El visor que se encuentra en el panel de control del acondicionador de aire mostrará el tiempo restante.

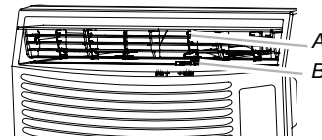
- Mientras la pantalla muestra el tiempo restante, presione el botón de TEMP/TIME (Temperatura/Tiempo) con la flecha hacia arriba o hacia abajo para aumentar o disminuir el tiempo.

Cómo cambiar la dirección del aire

Flujo de aire con 4 salidas :

Las rejillas que le dan una dirección al aire le permiten controlar la dirección del flujo de aire según sus deseos. El flujo de aire puede dirigirse hacia arriba/abajo, izquierda/derecha.

Rejilla de ventilación: La rejilla permite que el aire recircule dentro del acondicionador, que el aire fresco se dirija dentro de la habitación y que el aire viciado y gases se despidan al exterior.



A. Flujo de Aire en 4 Direcciones
B. Rejilla de ventilación

Sonidos normales

Cuando su acondicionador de aire funciona normalmente, puede oír sonidos tales como:

- Gotitas de agua que golpean el condensador, que provocan un sonido metálico o un chasquido. Las gotitas de agua ayudan a enfriar el condensador.
- Movimiento de aire del ventilador.
- Chasquidos del ciclo del termostato.
- Vibraciones o ruido debido a una construcción deficiente de la pared o la ventana.
- Un zumbido agudo o ruido palpitante causado por el moderno compresor de alta eficiencia que comienza y finaliza ciclos.

CUIDADO DE SU ACONDICIONADOR DE AIRE

Su acondicionador de aire nuevo fue diseñado para brindarle muchos años de servicio confiable. En esta sección encontrará la manera de limpiar y cuidar su acondicionador de aire adecuadamente. Llame al distribuidor local autorizado para realizar una revisión anual. Recuerde que el costo de este servicio es responsabilidad suya.

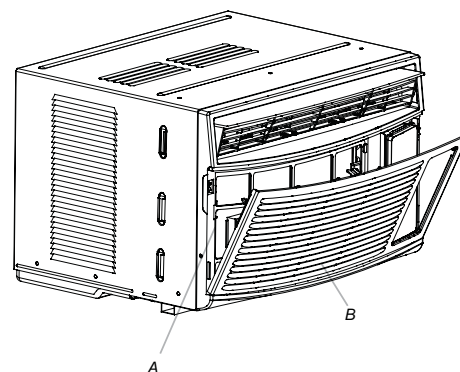
Limpieza del filtro de aire

El filtro de aire puede retirarse para que la limpieza sea más sencilla.

Un filtro limpio le ayuda a quitar polvo, pelusa y otras partículas del aire y es importante para un mejor enfriamiento y eficiencia operativa. Revise el filtro cada 2 semanas para ver si necesita limpieza.

NOTA: No ponga en funcionamiento el acondicionador de aire sin el filtro en su lugar.

- Apague el acondicionador de aire.
- Quite el filtro de aire abriendo el panel frontal y retirando el filtro de aire.
- Utilice una aspiradora para limpiar el filtro de aire. Si el filtro de aire está muy sucio, lávelo con agua tibia y un detergente suave. No lave el filtro de aire en el lavavajillas ni utilice limpiadores químicos. Airee el filtro de aire para secarlo completamente antes de volver a ubicarlo para garantizar una eficiencia máxima.
- Vuelva a colocar el filtro de aire.
- Cierre el panel frontal.
- Encienda el acondicionador de aire.



A. Filtro de aire
B. Panel frontal





Limpeza del panel frontal

1. Apague el acondicionador de aire.
2. Limpie el panel frontal con un paño suave y húmedo.
3. Airee el panel frontal para secarlo completamente.
4. Encienda el acondicionador de aire.

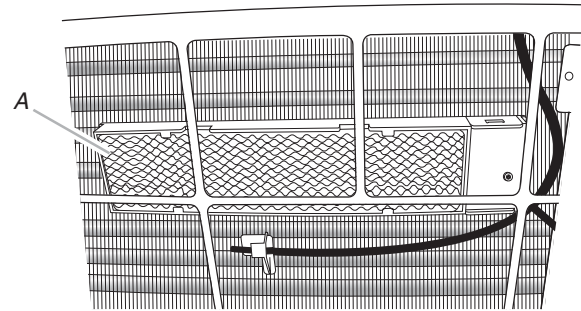
Mantenimiento anual

Acondicionador de aire

Su acondicionador de aire necesita un mantenimiento anual que ayuda a garantizar un rendimiento constante y superior todo el año. Llame al distribuidor local autorizado para programar una revisión anual. Los gastos de la inspección anual son responsabilidad suya.

Filtro UV

El filtro UV está ubicado detrás del filtro de aire.



A. Filtro UV detrás del filtro de aire

1. Apague el acondicionador de aire.
2. Quite el filtro de aire. Consulte "Limpeza del filtro de aire".
3. Utilice una aspiradora para limpiar el filtro UV.
4. Vuelva a colocar el filtro de aire. Consulte "Limpeza del filtro de aire".
5. Encienda el acondicionador de aire.

SOLUCIÓN DE PROBLEMAS

Antes de llamar al servicio de reparaciones, pruebe las sugerencias que se detallan a continuación para ver si puede solucionar el problema sin ayuda externa.

El acondicionador de aire no funciona

⚠ ADVERTENCIA



Peligro de Choque Eléctrico

Conecte a un contacto de pared de conexión a tierra de 3 terminales.

No quite la terminal de conexión a tierra.

No use un adaptador.

No use un cable eléctrico de extensión.

No seguir estas instrucciones puede ocasionar la muerte, incendio o choque eléctrico.

- El cable de suministro de energía está desenchufado. Enchufe a un tomacorriente de 3 entradas. Consulte "Requisitos eléctricos".

- El cable de suministro de energía se ha desactivado (el botón Reset (Reinicio) se ha levantado). Presione y libere RESET (REINICIO) (escuche el clic; el botón Reset (Reinicio) quedará trabado y, en algunos dispositivos, se encenderá la luz verde) para reanudar el funcionamiento.
- Ha saltado un fusible de la casa, o ha saltado el interruptor automático. Reemplace el fusible o reinicie el interruptor automático. Si el problema continúa, llame a un electricista. Consulte "Requisitos eléctricos".
- El botón de encendido no se ha presionado o la perilla de control del modo está apagada. Presione POWER (ENCENDIDO) o gire la perilla de control de modo a una configuración activa.
- Se ha cortado la energía local. Espere a que vuelva la energía.

El acondicionador de aire hace saltar los fusibles o los interruptores automáticos.

- Se están usando demasiados artefactos en el mismo circuito. Desenchufe o ubique en otro lugar los artefactos que comparten el mismo circuito.
- Se está usando fusible retardador o interruptor automático con capacidad equivocada. Reemplácelos con un fusible retardador o interruptor automático con la capacidad correcta. Consulte "Requisitos eléctricos".



- **Se está utilizando un cable de prolongación.** No use cable de prolongación ni con este artefacto ni con ningún otro.
- **Está intentando reiniciar el acondicionador de aire demasiado pronto después de apagarlo.** Espere al menos 3 minutos después de apagar el acondicionador de aire antes de intentar reiniciarlo.

El cable de suministro de energía del acondicionador de aire se ha desactivado (el botón Reset (Reinicio) se ha levantado)

- **Las alteraciones en la corriente eléctrica pueden hacer que se desactive (el botón Reset (Reinicio) se levantará) el cable de suministro de energía.** Presione y libere RESET (REINICIO) (escuche el clic; el botón Reset (Reinicio) quedará trabado y, en algunos dispositivos, se encenderá la luz verde) para reanudar el funcionamiento.
 - **La sobrecarga eléctrica, el recalentamiento, que se aprieten los cables o el paso del tiempo pueden hacer que se desactive (el botón Reset (Reinicio) se levantará) el cable de suministro de energía.** Después de corregir el problema, presione y libere RESET (REINICIO) (escuche el clic; el botón Reset (Reinicio) quedará trabado y, en algunos dispositivos, se encenderá la luz verde) para reanudar el funcionamiento.
- NOTA:** Los cables de energía dañados deben ser reemplazados por cables de suministro de energía nuevos adquiridos al fabricante del producto y no deben repararse.

Parece que el acondicionador de aire está en funcionamiento demasiado tiempo

- **El acondicionador de aire actual reemplazó un modelo anterior.** El uso de componentes más eficientes puede hacer que el acondicionador de aire funcione más tiempo que un modelo anterior, pero el consumo total de energía será menor. Los acondicionadores de aire más nuevos no emiten las ráfagas de aire frío a las que usted puede estar acostumbrado de modelos anteriores, pero esto no implica que la capacidad de enfriamiento o la eficiencia sean menores. Consulte el índice de eficiencia energética (EER) y el rango de capacidad (en Btu/h) indicados en el acondicionador de aire.
- **El acondicionador de aire está en una habitación muy ocupada, o en la habitación se están utilizando artefactos que producen calor.** Utilice ventiladores para salida de emanaciones cuando cocine o se bañe e intente no utilizar artefactos que produzcan calor durante la parte más calurosa del día. Puede ser necesario un acondicionador de aire con una capacidad superior, según el tamaño de la habitación que se debe enfriar.

El acondicionador de aire enciende y apaga su ciclo demasiadas veces o no enfría la habitación en el modo enfriamiento

- **El acondicionador de aire no es del tamaño adecuado para su habitación.**

Verifique las capacidades de enfriamiento de su acondicionador de aire de habitación.

Los acondicionadores de aire de habitación no fueron diseñados para enfriar varias habitaciones.

- El filtro está sucio u obstruido con residuos. Limpie el filtro.
- Hace demasiado calor o hay demasiada humedad (se cocina con recipientes abiertos, hay duchas en funcionamiento, etc.) en la habitación. Utilice un ventilador para eliminar el calor o la humedad de la habitación. Intente no utilizar artefactos que producen calor durante la parte más calurosa del día.
- Las rejillas están obstruidas. Instale el acondicionador de aire en un lugar en el que las rejillas no estén tapadas con cortinas, persianas, muebles, etc.
- La temperatura exterior es inferior a 61°F (16°C). No intente poner en funcionamiento el acondicionador de aire en el modo de enfriamiento cuando la temperatura exterior está por debajo de los 61°F (16°C).
- La temperatura de la habitación que intenta enfriar es extremadamente elevada. Deje que pase un tiempo extra para que el acondicionador de aire enfríe una habitación muy cálida.
- Las ventanas o puertas que dan al exterior están abiertas. Cierre todas las puertas y ventanas.
- El control de la temperatura no está en una configuración lo suficientemente fría.

Ajuste el control TEMP/TIME (TEMPERATURA/TIEMPO) en una configuración más fresca presionando el botón con el signo menos para bajar la temperatura. Configure el control de velocidad del ventilador en la configuración más elevada.

Cae agua del gabinete dentro de la casa

- El acondicionador de aire no está bien nivelado. El acondicionador de aire debe estar ligeramente inclinado hacia el exterior. Nivele el acondicionador de aire de forma tal que se incline hacia el exterior para que el drenaje sea correcto. Consulte las instrucciones de instalación.

NOTA: No perforo la parte de abajo de la base de metal ni la placa de condensación.





AYUDA O SERVICIO TÉCNICO

Antes de llamar solicitando ayuda o servicio técnico, consulte la "Solución de problemas". Puede ahorrarse el costo de una llamada por reparaciones. Si aún así necesita ayuda, siga las instrucciones que se detallan a continuación.

Cuando llame, debe saber la fecha de compra y los números de modelo y de serie completos de su artefacto. Esta información nos ayudará a responder mejor a su solicitud.

Si necesita repuestos

Si debe solicitar repuestos, le recomendamos que utilice únicamente los repuestos especificados por el fabricante. Los repuestos especificados por el fabricante coincidirán perfectamente y funcionarán de manera correcta porque fueron fabricados con la misma precisión con que se fabrican los artefactos nuevos. Para ubicar repuestos especificados por el fabricante en su zona, llame a su centro de atención designado más cercano.

Tenga registrada la información de su modelo.

Cuando llame para solicitar reparaciones para su artefacto, debe saber los números de modelo y de serie completos.

Puede encontrar esta información en la etiqueta con número de modelo y de serie. Consulte "Requisitos eléctricos" para conocer la ubicación de la etiqueta con el número de modelo y de serie.

Registre la información de número de modelo y de serie a continuación. Además, registre la fecha de compra de su artefacto y el nombre, domicilio y número de teléfono de la tienda.

Número de modelo _____

Número de serie _____

Fecha de compra _____

Nombre de la tienda _____

Domicilio de la tienda _____

Teléfono de la tienda _____

Conserve este folleto y la factura de compra juntos para referencia futura.

En los EE. UU.

Visite www.haieramerica.com o llame a Haier America al número gratuito: **1-888-842-2440**.

Nuestros asesores proporcionan ayuda con:

- Funciones y especificaciones de nuestros artefactos.
- Información de instalación.
- Procedimientos de uso y mantenimiento.
- Venta de repuestos.
- Remisiones a distribuidores de repuestos y empresas de servicios.

Los técnicos de reparaciones autorizados por el fabricante reciben capacitación para brindar servicios por la garantía del producto y proporcionar servicio pos-garantía en cualquier punto de los Estados Unidos de América.

Para obtener más ayuda

Si necesita más ayuda, puede escribir sus preguntas o inquietudes a:

Haier America
1356 Broadway
Nueva York, NY 10018

Incluya un número de teléfono donde se lo pueda localizar de día en su correspondencia.

En Canadá

Llame al número gratuito de Haier America: **1-888-842-2440**.

Nuestros asesores proporcionan ayuda con:

- Funciones y especificaciones de nuestros artefactos.
- Información de instalación.
- Procedimientos de uso y mantenimiento.
- Venta de repuestos.
- Remisiones a distribuidores de repuestos y empresas de servicios.

Los técnicos de reparaciones autorizados por el fabricante reciben capacitación para brindar servicios por la garantía del producto y proporcionar servicio pos-garantía en cualquier punto de Canadá.

Para obtener más ayuda

Si necesita más ayuda, puede escribir sus preguntas o inquietudes a:

Haier America
1356 Broadway
Nueva York, NY 10018

Incluya un número de teléfono donde se lo pueda localizar de día en su correspondencia.



GARANTÍA LIMITADA

GARANTÍA LIMITADA DE UN AÑO

Esta garantía cubre todos los defectos de materiales y realización de las piezas mecánicas y eléctricas (incluyendo los costos de mano de obra) que contiene este producto por un período de 12 meses a partir de la fecha de compra. En el caso de uso comercial o alquiler, la garantía es de 90 días. Debe conservar y proporcionar los comprobantes originales de compra como prueba de la fecha de compra.

GARANTÍA LIMITADA DE CINCO AÑOS DEL SISTEMA SELLADO

El sistema sellado y el compresor (compresor, condensador y evaporador herméticos) que contiene este producto tiene un período de garantía de 5 años contados a partir de la fecha de compra (se exceptúan los costos de mano de obra después del período inicial de 12 meses). Para el uso comercial o de alquiler, la garantía limitada adicional del compresor es de 1 año y 9 meses (exceptuando los costos de mano de obra después del período inicial de 90 días). Debe conservar y proporcionar los comprobantes originales de compra como prueba de la fecha de compra.

QUIÉN ESTÁ CUBIERTO

El comprador minorista original de este producto.

QUÉ SE HARÁ

Haier America reparará o reemplazará las piezas mecánicas, eléctricas o el compresor que tenga defectos durante el uso hogareño normal durante un período de 12 meses. Haier America reparará o reemplazará (se exceptúan los costos de mano de obra) el sistema sellado y el compresor (únicamente las piezas) durante un período adicional de 4 años.

CÓMO PUEDE OBTENER EL SERVICIO DE REPARACIÓN

Póngase en contacto con el centro de reparaciones autorizado por el fabricante más cercano. Para saber el nombre del centro de reparaciones autorizado más cercano, póngase en contacto con Haier America al 1-888-842-2440. Todos los servicios deben ser realizados por el centro de reparaciones autorizado por el fabricante.

ESTA GARANTÍA NO CUBRE

1. Daños por instalación incorrecta.
2. Los daños ocurridos durante el envío.
3. Los defectos que no sean defectos de fabricación.
4. Daño causado por uso indebido, abuso, accidente, alteración, falta de mantenimiento y cuidado adecuado o corriente de voltaje incorrecta.
5. Daños causados por todo aquello que no sea el uso hogareño.
6. Daños causados por otra reparación que no sea la brindada por un vendedor autorizado o centro de reparaciones.
7. Terminaciones decorativas, o bombillas de luz.
8. Los gastos de mano de obra, reparación, transporte y envío incurridos por la remoción de la pieza defectuosa y la instalación del repuesto con posterioridad al primer período de 12 meses.
9. Crédito o reintegro por productos después de los 30 días de la fecha de compra, o por pérdidas o lesiones causadas por el producto o por defectos del producto, incluyendo, entre otros, daños consecuentes o fortuitos.
10. Pérdidas por los alimentos que se echan a perder como resultado directo de la falla mecánica del producto o por las posibles demoras en la provisión de atención, reparación o reemplazo.
11. Productos reacondicionados adquiridos como nuevos o de segunda mano.

ESTA GARANTÍA LIMITADA SE OTORGA EN LUGAR DE CUALQUIER OTRA GARANTÍA, EXPRESA O IMPLÍCITA INCLUYENDO LAS GARANTÍAS DE COMERCIABILIDAD E IDONEIDAD PARA UN FIN DETERMINADO.

El recurso provisto en esta garantía es exclusivo y otorgado en lugar de cualquier otro recurso. Esta garantía no cubre daños fortuitos o consecuentes. Algunos estados no permiten la exclusión de los daños consecuentes o fortuitos, de modo que la limitación anterior puede no aplicarse en su caso. Algunos estados no permiten limitaciones en cuanto a la duración de la garantía, de modo que esta limitación puede no aplicarse a su caso. Esta garantía le concede derechos legales específicos, y usted puede tener otros derechos, que varían de un estado a otro.

Esta garantía cubre artefactos dentro de la porción continental de los Estados Unidos, Canadá y Puerto Rico.

©Copyright 2010
Todos los derechos
reservados.

Amana® Marca registrada de Maytag Corporation o sus empresas asociadas.
Fabricado bajo licencia a Haier America, Nueva York, NY.
Bajo licencia de Maytag Limited en Canadá.





SÉCURITÉ DU CLIMATISEUR

Votre sécurité et celle des autres est très importante.

Nous donnons de nombreux messages de sécurité importants dans ce manuel et sur votre appareil ménager. Assurez-vous de toujours lire tous les messages de sécurité et de vous y conformer.



Voici le symbole d'alerte de sécurité.

Ce symbole d'alerte de sécurité vous signale les dangers potentiels de décès et de blessures graves à vous et à d'autres.

Tous les messages de sécurité suivront le symbole d'alerte de sécurité et le mot "DANGER" ou "AVERTISSEMENT". Ces mots signifient :

⚠ DANGER

Risque possible de décès ou de blessure grave si vous ne suivez pas immédiatement les instructions.

⚠ AVERTISSEMENT

Risque possible de décès ou de blessure grave si vous ne suivez pas les instructions.

Tous les messages de sécurité vous diront quel est le danger potentiel et vous disent comment réduire le risque de blessure et ce qui peut se produire en cas de non-respect des instructions.

IMPORTANTES INSTRUCTIONS DE SÉCURITÉ

AVERTISSEMENT : Pour réduire les risques d'incendie, de choc électrique ou des blessures lors de l'utilisation du climatiseur, prendre quelques précautions fondamentales, y compris les suivantes :

- Branchez dans une prise mise à terre à trois branches..
- N'utilisez pas de rallonge électrique.
- Ne pas ôter la branche de mise à terre.
- Débranchez le climatiseur avant l'entretien.
- N'utilisez pas un adaptateur.
- Demandez l'aide d'une personne ou plus pour déplacer et installer le climatiseur.

CONSERVEZ CES INSTRUCTIONS

EXIGENCES DU CLIMATISEUR

Outillage et pièces

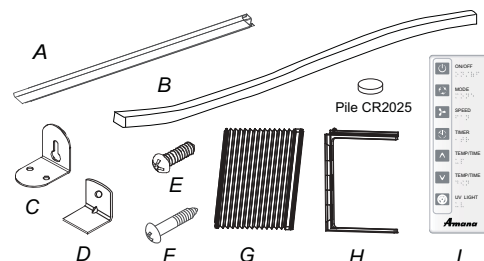
Rassembler les outils et les pièces nécessaires avant de commencer l'installation. Lire et suivre les instructions fournies avec les outils énumérés ici.

Outils nécessaires

- Tournevis étoile
- Tournevis plat
- Ciseaux
- Niveau
- Clé à boulon et boulons
- Gallon à mesurer
- Perceuse sans fil et foret 1/8po
- Crayon de plomb
- Pincettes
- Clé à mollette

Pièces fournies:

Vérifier que toutes les pièces sont incluses dans le paquet de pièces.



- A. Guide du haut
- B. Scellant en mousse
- C. Équerres latérales
- D. Équerre barrer la fenêtre
- E. Vis 13/32po (4)

- F. Vis 32/32po (9)
- G. Rideaux latéraux(2)
- H. Support pour rideaux latéraux (2)
- I. Télécommande



Exigences d'emplacement

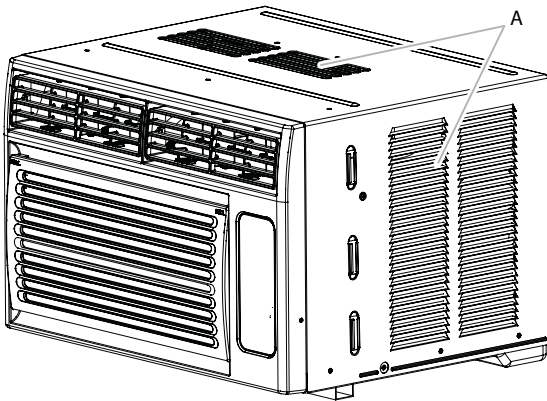
IMPORTANT : Tenir compte des codes et règlements de régie. Vérifier l'emplacement où le climatiseur sera installé. Assurez-vous que tout est à portée pour une installation correcte. L'emplacement devrait avoir :

■ Une prise électrique mise à terre en dedans de 4pi (122cm) d'où le fil électrique sort de l'appareil.

REMARQUE: N'utilisez pas de rallonge électrique.

- Une circulation d'air adéquate dans la pièce à rafraichir.
- Une ouverture assez grande pour accommoder le climatiseur. Les pièces d'installation sont conçues pour les fenêtres doubles à guillotine.
- Un mur adéquat pour supporter le poids du climatiseur. Celui-ci pèse 44 lbs à 76 lbs (20.0kg à 34.5 kg)

REMARQUE: Les fentes de ventilation ne doivent pas être obstruées. L'air doit pouvoir passer librement par les fentes

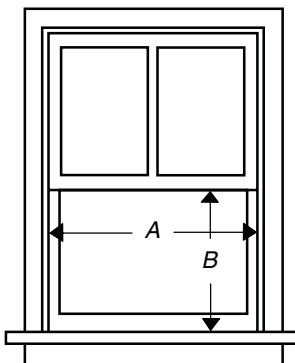


A. Fentes de ventilation

Installation de fenêtre

Mesures de l'ouverture de la fenêtre :

- Largeur minimale de 24½"po (62.2cm) et maximale de 38"po (96.5cm)
- Hauteur minimale de 14⅞" po (37cm)



A. 24½"po (62.2cm) minimum

B. 14⅞"po (37cm) minimum

Spécifications électriques

⚠ AVERTISSEMENT



Risque de choc électrique

Brancher sur une prise à 3 alvéoles reliée à la terre.

Ne pas enlever la broche de liaison à la terre.

Ne pas utiliser un adaptateur.

Ne pas utiliser un câble de rallonge.

Le non-respect de ces instructions peut causer un décès, un incendie ou un choc électrique.

Les caractéristiques électriques pour votre climatiseur sont inscrites sur l'étiquette du numéro de modèle et du numéro de série. Cette étiquette se trouve sur le côté ou sur l'arrière du climatiseur, ou en arrière de la grille avant.

Les spécifications électriques spécifiques sont inscrites dans le tableau ci-dessous. Suivre les recommandations pour le type de prise sur le fil d'alimentation.

Fil d'alimentation

Spécifications de filage



- 115volt (103.5min à 126.5 max.)
- 0 à 12 amp
- Fusible temporisée ou disjoncteur de 15amp
- Utiliser sur un circuit unique seulement

Méthode de mise à terre recommandée

Ce climatiseur doit être mis à terre. Ce climatiseur est muni d'un fil d'alimentation avec une prise à trois branches pour la mise à terre. Le fil doit être branché à une prise pour la mise à terre, en concordance avec tous les codes et réglementations locaux. Si une telle prise n'est pas disponible, la responsabilité de faire installer une prise mise à terre par un électricien qualifié revient au client. La responsabilité revient au client de :

- contacter un électricien qualifié
- s'assurer de l'installation électrique est adéquate et conforme au National Electrical Code, ANSI/NFPA 70—dernière édition, et tous les codes et réglementations locaux.

Un exemplaire des standards peut être obtenu du:

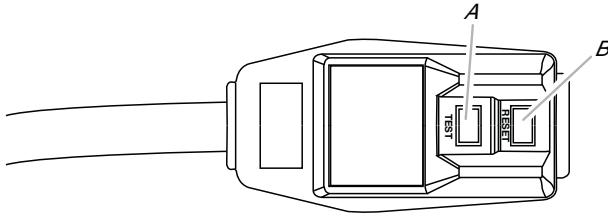
National Fire Protection Association
1 Batterymarch Park
Quincy, MA 02169





Fil d'alimentation

REMARQUE: Le fil d'alimentation de votre climatiseur peut différer de celui montré ci-dessous.



A. Bouton test

B. Bouton de réinitialisation

Ce climatiseur de pièce est muni d'un fil d'alimentation requis par UL. Ce fil électrique est muni d'une technologie de pointe qui détecte les fuites de courant. Si le fil est écrasé, la fuite de courant est détectée et le courant est coupé dans une fraction de seconde.

⚠ AVERTISSEMENT



Risque de choc électrique

Brancher sur une prise à 3 alvéoles reliée à la terre.

Ne pas enlever la broche de liaison à la terre.

Ne pas utiliser un adaptateur.

Ne pas utiliser un câble de rallonge.

Le non-respect de ces instructions peut causer un décès, un incendie ou un choc électrique.

Pour tester votre fil d'alimentation:

1. Brancher le fil dans une prise à trois branches mise à terre
2. Appuyer sur RESET (sur certains modèles, une lumière verte s'allume)
3. Appuyer sur TEST (vous devriez entendre un clique; le bouton RESET se déclenche, et sur certains modèles, une lumière verte s'éteint).
4. Appuyer et relâcher RESET (vous devriez entendre un clique, le bouton RESET s'enclenche, et sur certains modèles, une lumière verte s'allume). Le fil d'alimentation est prêt à l'utilisation.

REMARQUE:

- Le bouton RESET doit être enclenché pour l'utilisation
- Le fil d'alimentation doit être remplacé s'il ne parvient pas à se déclencher lorsqu'on appuie sur le bouton TEST ou si il ne se réinitialise pas.
- Ne pas utiliser le fil d'alimentation en tant d'interrupteur.
- Un fil d'alimentation endommagé doit être remplacé avec un nouveau fil obtenu du fabricant et ne doit pas être réparé.
- Le fil d'alimentation n'est muni d'aucune pièce réparable par l'utilisateur. L'ouverture du boîtier inviolable annule toute garantie et revendication de performance.

INSTRUCTIONS D'INSTALLATION

Déballage du climatiseur

⚠ AVERTISSEMENT

Risque du poids excessif

Utiliser deux ou plus de personnes pour déplacer et installer le climatiseur.

Le non-respect de cette instruction peut causer une blessure au dos ou d'autre blessure.

Enlever le matériel d'emballage

- Enlever et jeter/recycler le matériel d'emballage. Ôter le ruban adhésif et les résidus de colle des surfaces avant d'allumer le climatiseur. Frotter un peu de savon à vaisselle liquide sur les résidus adhésifs avec vos doigts. Essuyer avec de l'eau tiède et laisser sécher.
- Ne pas utiliser d'objets coupants, d'alcool à friction, de produits inflammables ou de nettoyants abrasifs pour enlever le ruban adhésif ou la colle. Ces produits peuvent endommager la surface de votre climatiseur.
- Manipuler le climatiseur avec soins.

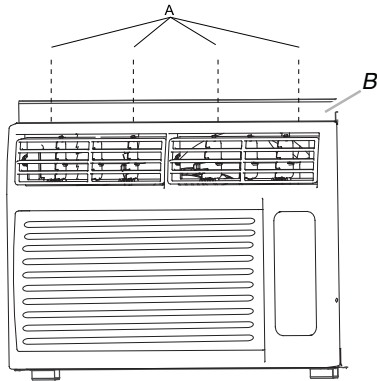
Préparer le climatiseur pour l'installation

Installer le guide du haut

1. Placer le guide sur le dessus du climatiseur, prenant soin d'encligner les trous du guide avec les trous sur le dessus du climatiseur.
2. Avec 4 vis 13/32po, fixer le guide sur le dessus du climatiseur.



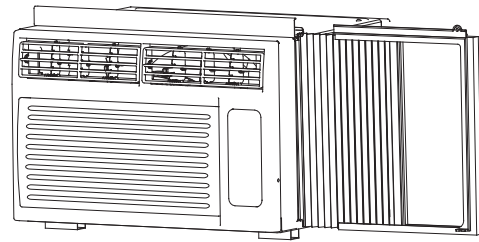
REMARQUE: Votre climatiseur peut différer de celui montré ci-dessous.



A. Vis 13/32po

B. Guide du haut

3. Glisser le cadre du rideau dans le guide sur le haut du climatiseur et dans le sillon sur le dessous du climatiseur.

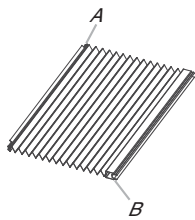


4. Glisser le cadre du rideau aussi proche de climatiseur qu'il faut pour barre le rideau au cadre.
5. Répéter les étapes pour le rideau et le cadre du côté gauche.

Installer les rideaux latéraux

REMARQUE: Attacher les rideaux au climatiseur avant de le placer dans la fenêtre.

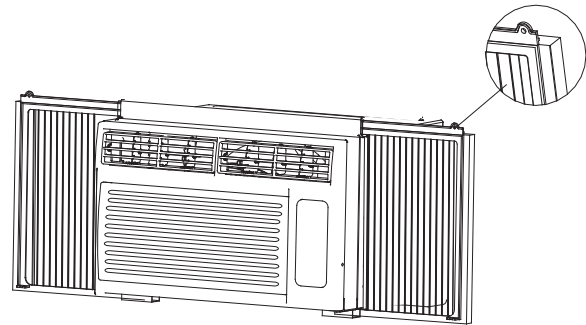
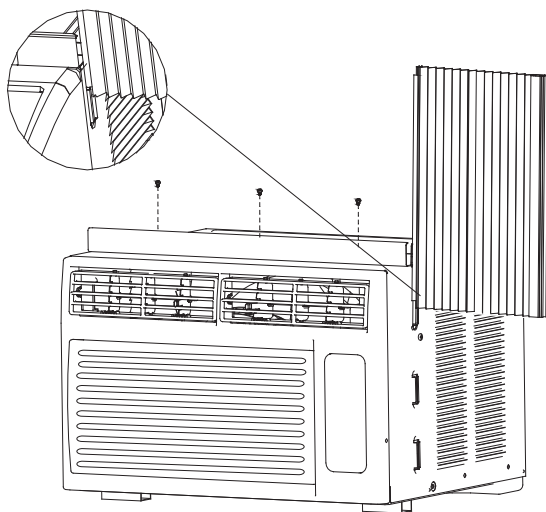
1. Placer le côté à onglet dans le sillon sur le côté droit du boîtier du climatiseur.



A. Côté à onglet du rideau

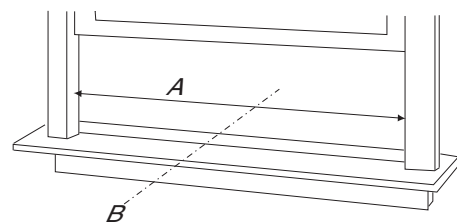
B. Côté du rideau qui se barre

2. Glisser le rideau dans le sillon vers le bas jusqu'à ce qu'il soit aligné avec le haut et le bas du climatiseur.



Préparation de la fenêtre pour l'installation

1. Mesurer la largeur de l'ouverture de la fenêtre.
2. Marquer d'une ligne le centre de la fenêtre



A. Largeur de l'ouverture de la fenêtre

B. Centre marqué





Positionnement du climatiseur

⚠ AVERTISSEMENT

Risque du poids excessif

Utiliser deux ou plus de personnes pour déplacer et installer le climatiseur.

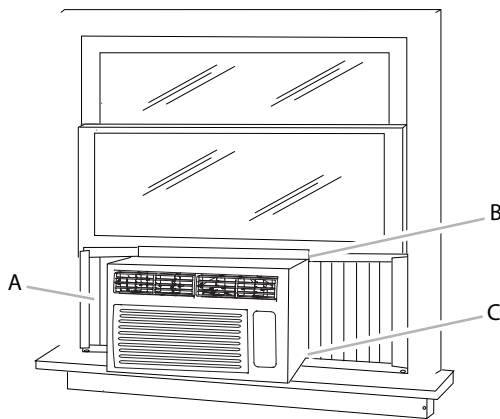
Le non-respect de cette instruction peut causer une blessure au dos ou d'autre blessure.

REMARQUE:

- Manipuler le climatiseur avec soin
- Assurez-vous que le climatiseur ne tombe pas de la fenêtre lors de l'installation
- L'endroit où le fil d'alimentation sort de l'appareil ne devrait pas être à plus de 4pi (122cm) d'une prise électrique mise à terre
- Les fentes de ventilation à l'avant ne doivent pas être obstruées
- Les fentes de ventilation sur les côtes ne doivent pas être obstruées

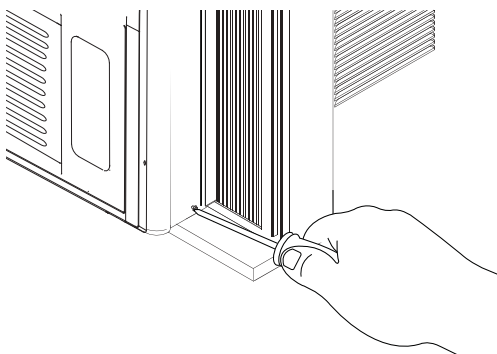
1. Centrer le climatiseur dans la fenêtre. Abaisser le châssis à guillotine à l'arrière du guide sur le haut du climatiseur pour tenir le boîtier en place.

REMARQUE : Votre modèle peut différer de celui montré.

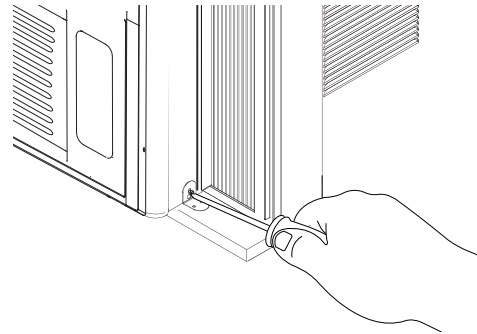


- A. Rideau latéral contre le côté de la fenêtre
 B. Châssis à guillotine à l'arrière du guide du haut du climatiseur
 C. Guide du bas à l'arrière du rebord de la fenêtre

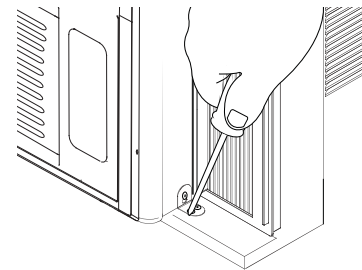
2. Desserrer la vis au bas du boîtier du climatiseur sur la droite.



3. Glisser une des équerres latérales par-dessus la vis.
4. Serrer la vis. L'équerre devrait reposer sur le rebord de la fenêtre.



5. À l'aide du foret 1/8po, percer un trou initial au travers de l'équerre et du rebord de la fenêtre.
6. À l'aide de 2 vis 31/32po, fixer l'équerre au rebord de la fenêtre.



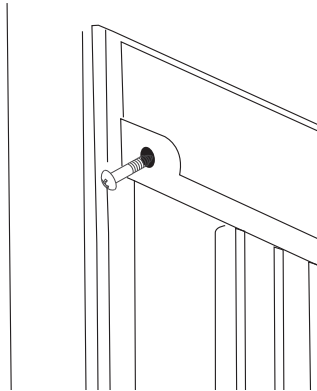
7. Répéter les étapes pour le côté gauche du climatiseur.

Attacher les rideaux latéraux à la fenêtre

1. Tirer sur le rideau de gauche jusqu'à ce qu'il s'insère dans le sillon de la fenêtre.
2. À l'aide du foret 1/8po, percer un trou initial au travers du trou du haut du rideau et dans le châssis à guillotine.
3. Insérer une vis 31/32po dans le trou du haut du rideau et dans le châssis à guillotine.
4. Répéter les étapes pour le rideau de droite.

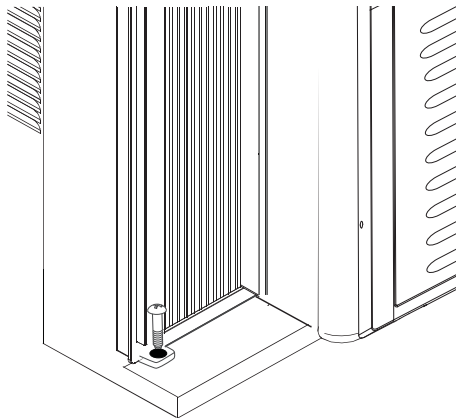


Vue du haut



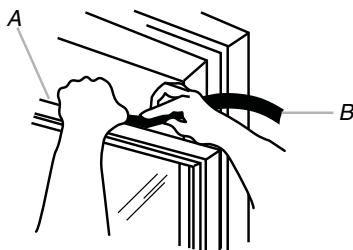
5. 2. À l'aide du foret 1/8po, percer un trou initial au travers du trou du bas du rideau et dans le cadre de la fenêtre
6. Insérer une vis 31/32po dans le trou du bas du rideau et dans le cadre de la fenêtre
7. Répéter les étapes pour le rideau de droite.

Vue du bas



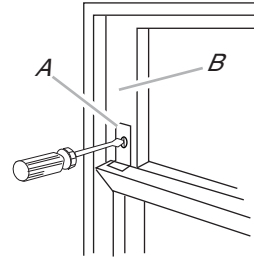
Achever l'installation

1. Insérer le scellant en mousse à l'arrière du haut du châssis à guillotine abaissé et contre la vitre de la fenêtre du haut.



A. Haut du châssis abaissé
B. Scellant en mousse

2. Placer l'équerre pour barrer la fenêtre tel que montré. À l'aide du foret 1/8po, percer un trou initial à travers le trou de l'équerre et dans la fenêtre du haut.
3. Fixer l'équerre à la fenêtre du haut à l'aide d'une vis 31/32po pour garder la fenêtre en place.



⚠ AVERTISSEMENT



Risque de choc électrique

- Brancher sur une prise à 3 alvéoles reliée à la terre.**
- Ne pas enlever la broche de liaison à la terre.**
- Ne pas utiliser un adaptateur.**
- Ne pas utiliser un câble de rallonge.**
- Le non-respect de ces instructions peut causer un décès, un incendie ou un choc électrique.**

4. Brancher dans une prise électrique mise à terre
5. Appuyer sur RESET sur le fil d'alimentation. Voir les « Spécifications électriques ».

UTILISATION DU CLIMATISEUR

Le fonctionnement correct de votre climatiseur vous aidera à obtenir les meilleurs résultats possibles.

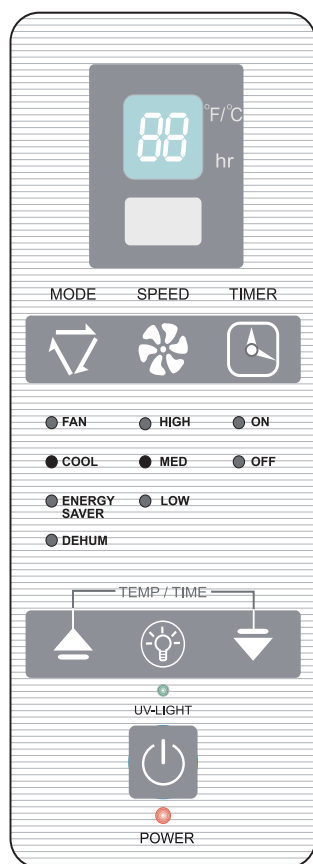
Cette section explique comment utiliser votre climatiseur correctement.

IMPORTANT:

- Si vous éteignez votre climatiseur, attendez au moins 3 minutes avant de le rallumer. Ceci empêche le climatiseur de faire sauter un fusible ou de déclencher un disjoncteur.

- Ne tentez pas de faire fonctionner votre climatiseur en mode Cool (frais) lorsque la température extérieure est inférieure à 61°F (16°C). La spire d'évaporation intérieure gèlera et le climatiseur ne fonctionnera pas correctement.

Mise en marche du climatiseur



1. Retirer la pellicule de plastique du panneau de contrôle.
2. Appuyer sur POWER pour allumer le climatiseur. L'indicateur de mise en marche s'allumera



REMARQUE: Lorsque le climatiseur est branché, l'affichage DEL affiche "88" pour 3 secondes. Après de que climatiseur est mis en marche pour la première fois, l'affichage montrera la température ambiante et la vitesse du ventilateur est à LOW (bas).

Après que l'appareil soit branché, mais avant qu'il ne soit allumé, appuyer et tenir le bouton POWER pour 5 secondes pour changer l'affichage de température entre le degrés Fahrenheit (F) ou Celsius (C).

3. Sélectionner le Mode. Voir "Mode".
4. Sélectionner la vitesse du ventilateur. Voir "Vitesse du ventilateur".
5. Sélectionner la température. Voir "Température".

Mode

1. Appuyer sur MODE jusqu'à ce que l'indicateur illumine le réglage désiré.
2. Choisir Fan (ventilateur), Cool (rafraichir), Energy Saver, (économiseur d'énergie) ou Dehum (déshumidificateur)
 - Fan : Le ventilateur fonctionne seul. Appuyer sur SPEED (vitesse) pour choisir High, Med ou Low (haut, medium, ou basse). L'affichage montre la température ambiante.
 - Cool : Rafraichit la pièce. Appuyer sur SPEED (vitesse) pour choisir la vitesse du ventilateur, High, Med ou Low (haut, medium, ou basse). Appuyer sur les flèches de TEMP/TIME pour ajuster la température.
 - Energy Saver : Le ventilateur fonctionne uniquement lorsque la pièce a besoin d'être rafraichie. Appuyer sur Appuyer sur SPEED (vitesse) pour choisir la vitesse du ventilateur, High, Med ou Low (haut, medium, ou basse).
 - Dehum : Assèche la pièce. Le climatiseur choisi automatiquement la température.

REMARQUE :

- Le mode Dehum ne devrait pas être utilisé pour rafraichir la pièce.
- Au mode Dehum, le bouton SPEED ne fonctionnera pas.

MODE



- FAN
- COOL
- ENERGY SAVER
- DEHUM

Vitesse du ventilateur



- Appuyer sur FAN SPEED jusqu'à ce que l'indicateur illumine la vitesse du ventilateur désirée.
- Choisir High, Med ou Low.
 - High : pour un refroidissement maximal
 - Med : pour un refroidissement moyen
 - Low : pour un refroidissement bas



Température

- Appuyer sur la flèche vers le haut du TEMP/TIME pour monter la température. À chaque fois que vous appuyez sur la touche, la température augmente de 1°F jusqu'à ce qu'elle atteigne 86°F (30°C).

REMARQUE : Après 5 secondes, la température ambiante s'affichera.



- Appuyer sur la flèche vers le bas du TEMP/TIME pour baisser la température. À chaque fois que vous appuyez sur la touche, la température diminue de 1°F jusqu'à ce qu'elle atteigne 61°F (16°C).

REMARQUE : Après 5 secondes, la température ambiante s'affichera.

Réglage de la minuterie

Pour régler la minuterie pour que le climatiseur s'éteigne automatiquement après 1 heure, ou jusqu'à 24 heures (le climatiseur doit être en marche) :

- Appuyer sur TIMER. L'indicateur TIMER OFF clignotera. L'affichage montrera le nombre d'heures restantes avant que le climatiseur s'éteigne.



- ON
OFF

- Appuyer sur les flèches TEMP/TIME pour change le nombre d'heures restantes, de 1 à 24 heures
- Après 5 secondes, l'indicateur TIMER OFF restera allumé. L'affichage montrera la température ambiante.

Pour régler la minuterie pour que le climatiseur se mette en marche automatiquement, avec les derniers paramètres utilisés :

- Éteindre le climatiseur.
- Appuyer sur TIMER. L'indicateur TIMER ON clignotera. L'affichage montrera le nombre d'heures restantes avant que le climatiseur se mette en marche.

- Appuyer sur les flèches TEMP/TIME pour changer le nombre d'heures restantes, de 1 à 24 heures.
- L'indicateur TIMER ON restera allumé.

Pour régler la minuterie pour que le climatiseur se mette en marche automatiquement, avec de nouveaux paramètres :

- Allumer le climatiseur
 - Ajuster le mode à Fan, Cool, Energy Saver ou Dehum
 - Pour les modes Fan, Cool et Energy Saver, ajuster la vitesse du ventilateur à High, Med ou Low.
 - Ajuster la température entre 61°F et 86°F (16°C et 30°C).
- REMARQUE:** En mode Fan, la température ne peut être réglée.
- Appuyer sur TIMER. L'indicateur TIMER ON clignotera. L'affichage montrera le nombre d'heures restantes avant que le climatiseur se mette en marche.
 - Appuyer sur les flèches TEMP/TIME pour change le nombre d'heures restantes, de 1 à 24 heures.
 - L'indicateur TIMER ON restera allumé.

Pour annuler la minuterie:

REMARQUE: Le climatiseur peu être en marche ou éteint.

- Appuyer sur TEMP/TIME une fois, après que la fonction ait été programmée. L'affichage montrera le nombre d'heures restantes.
- Pendant que l'afficheur indique la durée résiduelle, appuyer sur TIMER (minuterie) jusque l'indicateur lumineux Timer s'éteint.

Pour voir ou changer le temps restant (en heures):

TIMER OFF (minuterie s'arrête) :

- Appuyer sur TEMP/TIME une fois, après que la fonction ait été programmée. L'affichage montrera le nombre d'heures restantes.
- Lorsque l'affichage affiche de temps restant, appuyer sur les flèches TEMP/TIME pour augmenter ou diminuer le nombre d'heures.
- Après 5 secondes, l'affichage montrera la température ambiante.

TIMER ON (minuterie en marche):

- L'affichage montrera le nombre d'heures restantes.
- Lorsque l'affichage affiche de temps restant, appuyer sur les flèches TEMP/TIME pour augmenter ou diminuer le nombre d'heures.

Purificateur d'air par lumière UV

Le système de purification d'air par photocatalyse nettoie, désodorise et purifie l'air à l'aide d'un filtre traité au dioxyde de titane. Une petite lumière UV au dessus du filtre active l'enduit de dioxyde de titane et produit une réaction nettoyante similaire à celle des rayons du soleil. Cette réaction convertit l'oxygène et l'eau en radicaux sans hydroxyles qui nettoient l'air.

REMARQUE:

- Pour mettre en marche la fonction de purification par lumière UV, appuyer sur l'icône UV-Light sur la télécommande. Voir « Utilisation de la télécommande ».
- Il est recommandé que le filtre soit nettoyé à tous les ans. Voir « Entretien du climatiseur ».

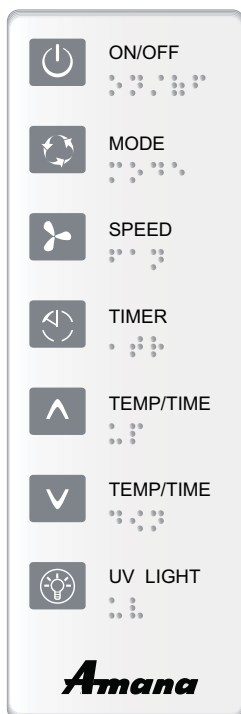


UV-LIGHT



Utilisation de la télécommande*

REMARQUE: La télécommande peut différer en apparence.



*Les points sont en texte Braille pour les malvoyants.

REMARQUE: Une pile CR2025 (incluse) alimente la télécommande. Remplacer la pile suite à 6 mois d'utilisation, ou lorsque la télécommande commence à manquer d'énergie.

Mise en marche

Appuyer sur ON/OFF pour allumer le climatiseur.



Mode

Appuyer sur MODE pour choisir Fan, Cool, Energy Saver ou Dehum.



Vitesse

Appuyer sur SPEED pour choisir la vitesse du ventilateur, High, Med ou Low.



Température

- (1) Appuyer sur la flèche vers le haut du TEMP/TIME pour monter la température. À chaque fois que vous appuyez sur la touche, la température augmente de 1°F jusqu'à ce qu'elle atteigne 86°F (30°C).



- (2) Appuyer sur la flèche vers le bas du TEMP/TIME pour baisser la température. À chaque fois que vous appuyez sur la touche, la température diminue de 1°F jusqu'à ce qu'elle atteigne 61°F (16°C).



Réglage de la minuterie

Pour régler la minuterie pour que le climatiseur s'éteigne automatiquement après 1 heure, ou jusqu'à 24 heures (le climatiseur doit être en marche) :

1. Appuyer sur TIMER. L'indicateur TIMER OFF sur le panneau de contrôle du climatiseur clignotera..



2. Appuyer sur les flèches TEMP/TIME pour change le nombre d'heures restantes, de 1 à 24 heures.
3. Après 5 secondes, l'indicateur TIMER OFF sur le panneau de contrôle du climatiseur restera allumé.

Pour régler la minuterie pour que le climatiseur se mette en marche automatiquement, avec les derniers paramètres utilisés ::

1. Éteindre le climatiseur
2. Appuyer sur TIMER. L'indicateur TIMER ON sur le panneau de contrôle du climatiseur clignotera.
3. Appuyer sur les flèches TEMP/TIME pour change le nombre d'heures restantes, de 1 à 24 heures.
4. Après 5 secondes, l'indicateur TIMER ON sur le panneau de contrôle du climatiseur restera allumé.

Pour régler la minuterie pour que le climatiseur se mette en marche automatiquement, avec de nouveaux paramètres :

1. Allumer le climatiseur
2. Ajuster le mode à Fan, Cool, Energy Saver ou Dehum
3. Pour les modes Fan, Cool et Energy Saver, ajuster la vitesse du ventilateur à High, Med ou Low.



4. Ajuster la température entre 61°F et 86°F (16°C et 30°C).
REMARQUE : En mode Fan, la température ne peut être réglée.
5. Appuyer sur TIMER. L'indicateur TIMER ON sur le panneau de contrôle du climatiseur clignotera. L'affichage montrera le nombre d'heures restantes avant que le climatiseur se mette en marche.
6. Appuyer sur les flèches TEMP/TIME pour change le nombre d'heures restantes, de 1 à 24 heures.
7. L'indicateur TIMER ON restera allumé sur le panneau de contrôle du climatiseur.

Pour annuler la minuterie:

REMARQUE: Le climatiseur peut être en marche ou éteint.

1. Appuyer sur TIMER une fois, après que la fonction ait été programmée. L'affichage sur le panneau de contrôle montrera le nombre d'heures restantes
2. Pendant que l'afficheur indique la durée résiduelle, appuyer sur TIMER (minuterie) jusque l'indicateur lumineux Timer s'éteint.

Pour voir ou changer le temps restant (en heures) :

TIMER OFF (minuterie s'arrête):

1. Appuyer sur TEMP/TIME une fois, après que la fonction ait été programmée. L'affichage sur le panneau de contrôle montrera le nombre d'heures restantes.
2. Lorsque l'affichage affiche de temps restant, appuyer sur les flèches TEMP/TIME pour augmenter ou diminuer le nombre d'heures.
3. Après 5 secondes, l'affichage montrera la température ambiante.

TIMER ON (minuterie en marche):

1. L'affichage sur le panneau de contrôle montrera le nombre d'heures restantes.
2. Lorsque l'affichage affiche de temps restant, appuyer sur les flèches TEMP/TIME pour augmenter ou diminuer le nombre d'heures.

Changement de la direction de l'air

Débit d'air à 4 directions: Les volets pour la direction du débit d'air vous permettent de contrôler la direction de l'air à votre guise. La direction du débit peut être modifiée de haut en bas et de droite à gauche.

Passage:

Le passage d'air frais permet au climatiseur de recycler l'air intérieur, air frais d'aspiration dans la salle et d'épuiser l'air éventé à l'extérieur.



A. 4 Balayage d' Air

B. Passage

Sons normaux

Lorsque votre climatiseur fonctionne normalement, vous pouvez entendre des sons tels que:

- Des gouttelettes d'eau heurtant le condensateur et causant un clique ou un ping. Les gouttes d'eau aident à refroidir le condensateur.
- Le débit d'air du ventilateur
- Des cliques provenant du cycle du thermostat
- Des vibrations ou du bruit provenant du mur ou de la fenêtre
- Un bourdonnement aigu ou un pulse causé par le cycle de démarrage et d'arrêt du compresseur moderne à haute efficacité

ENTRETIEN DU CLIMATISEUR

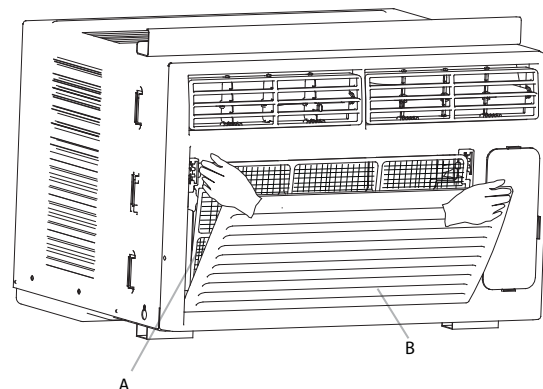
Votre climatiseur est conçu pour vous être utile pendant plusieurs années. Cette section vous explique comment nettoyer et entretenir votre climatiseur convenablement.

Nettoyage du filtre à air

Le filtre à air est amovible pour un nettoyage facile. Un filtre propre est essentiel pour enlever la poussière, la charpie et autres particules dans l'air et pour assurer un fonctionnement et le refroidissement efficace. Vérifier le filtre à toutes les deux semaines pour voir s'il a besoin d'être nettoyé.

REMARQUE: Ne pas faire fonctionner le climatiseur lorsque le filtre n'est pas en place.

1. Éteindre le climatiseur
2. Retirer le filtre à air en ouvrant le panneau avant et enlevant le filtre.



A. Filtre à air

B. Panneau avant





3. Nettoyer le filtre à air à l'aide d'un aspirateur. Si le filtre est très sale, le laver dans de l'eau tiède avec un détergent doux. Ne pas laver le filtre dans le lave-vaisselle ou avec des produits nettoyants chimiques. Laisser le filtre sécher complètement à l'air libre avant de le remplacer pour un maximum d'efficacité.
4. Replacer le filtre à air.
5. Fermer le panneau avant.
6. Mettre en marche le climatiseur.

Nettoyage du panneau avant

1. Éteindre le climatiseur.
2. Nettoyer le panneau avant avec un chiffon doux humide.
3. Laisser le panneau avant sécher complètement à l'air libre.
4. Mettre en marche le climatiseur.

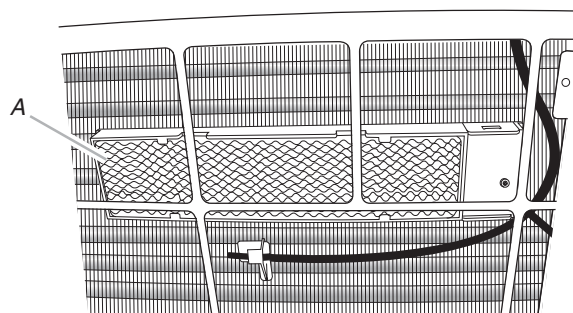
Entretien annuel

Climatiseur

Votre climatiseur a besoins d'un entretien annuel pour assurer une performance stable et adéquate pendant toute l'année. Appelez votre revendeur local agréé pour planifier un rendez-vous annuel. Les coûts reliés à un tel rendez-vous sont votre responsabilité

Filtre UV

Le filtre UV est situé derrière le filtre à air.



A. Filtre UV derrière le filtre à air

1. Éteindre le climatiseur.
2. Retirer le filtre à air. Voir « Nettoyage du filtre à air ».
3. Nettoyer le filtre UV à l'aide d'un aspirateur.
4. Replacer le filtre à air.
5. Mettre en marche le climatiseur.

DÉPANNAGE

Avant d'appeler le service de dépannage, essayez les suggestions suivantes pour voir si vous pouvez régler votre problème vous-même.

Le climatiseur ne fonctionne pas

⚠ AVERTISSEMENT



Risque de choc électrique

- Brancher sur une prise à 3 alvéoles reliée à la terre.
- Ne pas enlever la broche de liaison à la terre.
- Ne pas utiliser un adaptateur.
- Ne pas utiliser un câble de rallonge.
- Le non-respect de ces instructions peut causer un décès, un incendie ou un choc électrique.

- **Le fil d'alimentation n'est pas branché.** Le brancher dans une prise électrique à trois branches mise à terre. Voir « Spécifications Électriques ».

- **T-Le fil d'alimentation s'est déclenché (le bouton RESET ressort).** Appuyer sur le bouton RESET (Attendre le « clique »; le bouton Reset s'enclenche et sur certains modèles, une lumière verte d'allume) pour faire fonctionner de nouveau.
- **Un fusible a sauté ou un disjoncteur s'est déclenché.** Remplacer le fusible ou réenclencher le disjoncteur. Si le problème continue, contactez un électricien. Voir « Spécifications électriques ».
- **Le bouton Power n'a pas été appuyé ou le bouton de contrôle Mode est à Off.** Appuyer sur POWER ou tourner le bouton Mode à une position active.
- **Il y a une panne de courant.** Attendre que le courant soit rétabli.

Le climatiseur fait sauter des fusibles ou déclenche des disjoncteurs

- **Un trop grand nombre d'appareils sont utilisé sur le même circuit.** Débrancher ou relocaliser les appareils qui partagent un même circuit.
- **Un fusible ou un disjoncteur de la mauvaise capacité est utilisé.** Remplacer avec un fusible ou un disjoncteur d'une capacité adéquate. Voir « Spécifications électriques ».

- Une rallonge électrique est utilisée. Ne pas utiliser de rallonge avec cet appareil, ou tout autre appareil.
- Vous tentez de redémarrer le climatiseur trop tôt après l'avoir éteint. Attendez au moins 3 minutes après avoir éteint le climatiseur avant de tenter de le redémarrer.

Le fil d'alimentation se déclenche (le bouton Reset ressort).

- Des perturbations dans votre courant électrique peut faire déclencher (faire ressortir le bouton Reset) le fil d'alimentation. Appuyez sur le bouton RESET (Attendez le « clique »; le bouton Reset s'enclenche et sur certains modèles, une lumière verte d'allume) pour faire fonctionner de nouveau.
- Une surcharge, un surchauffe, une compression du fil d'alimentation ou l'âge peut faire déclencher (faire ressortir le bouton Reset) le fil d'alimentation. Suite à la correction du problème, appuyez sur le bouton RESET (Attendez le « clique »; le bouton Reset s'enclenche et sur certains modèles, une lumière verte d'allume) pour faire fonctionner de nouveau.

REMARQUE: Un fil d'alimentation endommagé doit être remplacé avec un nouveau fil obtenu du fabricant et ne doit pas être réparé.

Le climatiseur semble trop fonctionner

- **Le nouveau climatiseur a remplacé un ancien modèle.** L'utilisation de composants plus efficaces peut causer le climatiseur de fonctionner plus qu'un modèle plus ancien, mais la consommation d'énergie totale sera moindre. Les nouveaux climatiseurs n'émettent pas une rafale de vent froid comme les anciens modèles, mais ce n'est pas une indication d'un refroidissement moins efficace. Référez-vous à la cote d'efficacité (EER) et de capacité (en Btu/h) inscrit sur le climatiseur
- **Le climatiseur est dans une pièce fortement occupée, ou d'autres appareils produisant de la chaleur sont utilisés dans la pièce.** Utilisez des ventilateurs d'échappement lors de la cuisson ou dans la salle de bain et tentez de ne pas utiliser ces appareils dans les moments les plus chauds de la journée. Un climatiseur à plus grande capacité pourrait être requis, dépendamment de la grandeur de la pièce à rafraîchir.

Le climatiseur s'allume et s'éteint trop souvent, ou ne refroidit pas la pièce

- Le climatiseur n'est de taille adéquate pour la pièce. Vérifiez la capacité de refroidissement de votre climatiseur. Les climatiseurs de pièce ne sont pas conçus pour refroidir plusieurs pièces.
- Le filtre est sale ou obstrué. Nettoyez le filtre.
- La pièce est excessivement chaude ou humide (à cause de cuisson ou de douches ouverte, etc.). Utilisez des ventilateurs d'échappement lors de la cuisson ou dans la salle de bain et tentez de ne pas utiliser ces appareils dans les moments les plus chauds de la journée.
- Les fentes de ventilations sont bloquées. Installez le climatiseur à un endroit où les fentes sont libres de rideaux, de stores, de meubles, etc.
- La température extérieure est de moins de 61°F (16°C). Ne tentez pas de faire fonctionner votre climatiseur lorsque la température extérieure est de moins de 61°F (16°C).
- La pièce à refroidir est particulièrement chaude. Laissez plus de temps au climatiseur de refroidir une pièce très chaude.
- Les portes ou des fenêtres donnant sur l'extérieur sont ouvertes. Fermez toute porte et fenêtre.
- Le paramètre de rafraîchissement n'est pas assez bas. Ajustez les contrôles de TEMP/TIME pour abaisser la température. Mettez le ventilateur au mode plus élevé.

De l'eau coule du boîtier dans votre maison

- Le climatiseur n'est pas au niveau. Le climatiseur devrait être incliné un peu vers l'extérieur. Nivelez le climatiseur pour faire en sorte qu'il soit incliné vers l'extérieur pour assurer un écoulement adéquat. Voir les Instructions d'installation.
- REMARQUE :** Ne touchez pas le fond de la base en métal ou du plateau de condensation.



ASSISTANCE OU SERVICE

Avant d'appeler pour de l'assistance, vérifiez la section Dépannage. Cela pourrait vous sauver les coûts d'un tel appel. Si vous avez toujours besoin d'aide, suivre les instructions ici-bas. Lors de votre appel, ayez en main la date de l'achat, les numéros de modèle et de série de votre appareil. Cette information nous aidera à mieux répondre à vos questions.

Si vous avez besoin de pièce de remplacement

Si vous avez besoin de commander des pièces de remplacement, nous recommandons d'utiliser seulement des pièces spécifiées de l'usine. Ces pièces de remplacement fonctionneront parce qu'elles sont fabriquées avec la même précision que les nouveaux appareils. Pour localiser les pièces de remplacement dans votre secteur, contactez le centre de service le plus proche.

Prière d'inscrire l'information de votre modèle

Lorsque vous faites un appel de service pour votre appareil, vous devez avoir en main les numéros de modèle et de série complets.

Vous pouvez trouver cette information sur l'étiquette du numéro de modèle et de série. Voir « Spécifications électriques » pour connaître l'emplacement de cette étiquette.

Prière d'inscrire l'information du numéro de modèle et de série ci-dessous. Inscrivez aussi la date d'achat de l'appareil et le nom, l'adresse et le numéro de téléphone du magasin où l'appareil a été acheté.

Numéro de modèle _____
Numéro de série _____
Date d'achat _____
Nom du magasin _____
Adresse du magasin _____
Numéro de téléphone du magasin _____
Conserver ce livret et tout reçu d'achat ensemble pour référence future.

Aux États-Unis

Visitez le www.haieramerica.com ou appelez Haier America sans frais au : **1-888-842-2440**.

Nos représentants peuvent vous aider avec:

- Les caractéristiques et les spécifications de nos appareils
- L'information d'installation
- Procédures d'utilisation et d'entretien
- Les ventes de pièces de réparations
- Références aux distributeurs de pièces et de services. Des techniciens autorisés par l'usine sont formés pour répondre à la garantie et fournir le service post-garantie, partout au États-Unis.

Pour plus d'assistance

Si vous avez besoin de plus d'assistance, envoyez vos questions ou préoccupations à :

Haier America
1356 Broadway
New York, NY 10018

Prière d'inclure un numéro de téléphone où on peut vous rejoindre pendant la journée.

Au Canada

Appellez Haier America sans frais au **1-888-842-2440**

Nos représentants peuvent vous aider avec:

- Les caractéristiques et les spécifications de nos appareils
- L'information d'installation
- Procédures d'utilisation et d'entretien
- Les ventes de pièces de réparations
- Références aux distributeurs de pièces et de services. Des techniciens autorisés par l'usine sont formés pour répondre à la garantie et fournir le service post-garantie, partout au Canada.

Pour plus d'assistance

Si vous avez besoin de plus d'assistance, envoyez vos questions ou préoccupations à :

Haier America
1356 Broadway
New York, NY 10018

Prière d'inclure un numéro de téléphone où on peut vous rejoindre pendant la journée.



GARANTIE LIMITÉE

Garantie limitée d'un an

Cette garantie couvre tout défaut de fabrication ou de matériel pour les pièces mécaniques et électriques (incluant les coûts de main-d'œuvre) de se produit pour une période de 12 mois de la date d'achat. Pour les fins commerciales ou de location, la garantie est de 90 jours. Vous devez garder et pouvoir fournir votre reçu original comme preuve de date d'achat.

Garantie limitée de 5 ans sur le système scellé

Le système scellé et le compresseur (compresseur hermétique, condensateur et évaporateur) dans cet appareil et pour une période de 5 ans de la date d'achat (excluant les coûts de main-d'œuvre passé les premiers 12 mois). Pour l'usage commercial ou de location, la garantie additionnelle pour le compresseur est de 1 an 9 mois (excluant les coûts de main-d'œuvre passé la période de 90 jours initiale). Vous devez garder et pouvoir fournir votre reçu original comme preuve de date d'achat.

Qui est couvert

L'acheteur original du produit.

Ce qui sera fait

Haier America réparera ou remplacera toute pièce électrique ou mécanique ou le compresseur qui montre une défectuosité à l'usage domestique normal pour une période de 12 mois. Haier America réparera ou remplacera (excluant les coûts de main-d'œuvre) le système scellé et le compresseur (pièces seulement) pour une période additionnelle de 4 ans.

Comment obtenir le service

Contactez le centre de services autorisé le plus près. Pour connaître le centre de services le plus près, contactez Haier America au 1-888-842-2440.

Tout service doit être effectué par un centre de services autorisé.

Cette garantie de couvre pas

1. Les dommages dus à une installation inadéquate.
 2. Les dommages dus au transport.
 3. Les défauts autres que de fabrication.
 4. Les dommages dus à l'utilisation incorrecte, aux abus, aux accidents, aux altérations, aux manques d'entretien adéquat ou au courant ou voltage incorrecte.
 5. Les dommages dus à une utilisation autre que domestique.
 6. Les dommages dus à une réparation faite par autre qu'un détaillant ou centre de service autorisé.
 7. Les dommages dus aux accessoires décoratifs ou aux ampoules remplaçables.
 8. Les coûts de main-d'œuvre, de service et de transport pour le remplacement de pièces faisant défaut passé la période initiale de 12 mois.
 9. Les crédits ou les remboursements de plus de 30 jours après la date d'achat, toute perte ou blessure causée par le produit ou les défauts au produit comprenant mais ne se limitant pas aux dommages accessoires ou corrélatifs.
 10. La perte d'aliments directement reliée à une défaillance mécanique d'un produit ou un délai de service, réparation ou remplacement.
 11. Les produits remis à neuf, acheté comme neuf ou d'occasion.
-

CETTE GARANTIE EST OFFERTE EN LIEU ET PLACE DE TOUTE AUTRE GARANTIE, EXPLICITE OU IMPLICITE, INCLUANT LES GARANTIES DE QUALITÉ MARCHANDE ET D'ADÉQUATION À UN USAGE PARTICULIER.

Les recours offerts dans cette garantie sont exclusifs et sont accordé en lieu de place de tout autre recours. Cette garantie ne couvre pas les dommages accessoires ou corrélatifs. Certains états ne permettent pas l'exclusion des dommages accessoires ou corrélatifs, alors cette limitation peut ne pas s'appliquer à votre cas. Certains état ne permettent pas de limitation sur la durée d'une garantie implicite, alors cette limitation peut ne pas s'appliquer à votre cas. Cette garantie vous donne des droits légaux spécifiques et vous pouvez avoir d'autres droits qui varient d'état en état.

Cette garantie couvre les appareils dans les États-Unis continentaux, le Canada et au Puerto-Rico.

1/10

