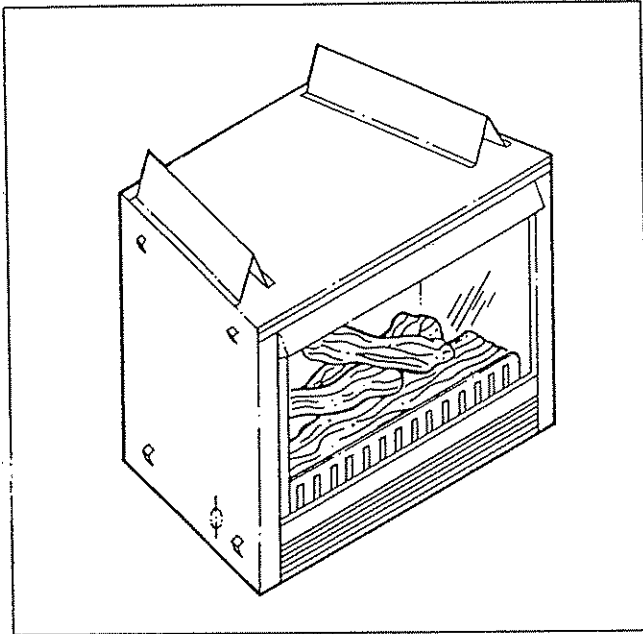


INSTALLATION AND OPERATION INSTRUCTIONS

for **MAJESTIC**.

(DIRECT VENT) GAS APPLIANCES

MODELS: G36DVpi, G36DVpiLP,
G36DVadi, G36DVadiLP



WARNING: THE G36DV SERIES APPLIANCES ARE DIRECT VENT DECORATIVE GAS APPLIANCES. DO NOT BURN WOOD OR OTHER MATERIALS IN THESE APPLIANCES.

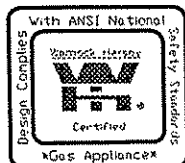
IMPORTANT: Read all instructions carefully before starting installation. Failure to follow these installation instructions may result in a possible fire hazard and will void the warranty.

Save this manual for future reference.

Please read this manual before installing and using the fireplace.

*200 Pk. G36DV
AND SIX
Gas.*

**MAJCO
BUILDING
SPECIALTIES, L.P.**



FOR YOUR SAFETY

Do not store or use gasoline or other flammable vapors and liquids in the vicinity of this or any other appliances.

FOR YOUR SAFETY

If you smell gas.

1. Open windows.
2. Don't touch electrical switches.
3. Extinguish any open flame.
4. Immediately call your gas supplier.

FOR YOUR SAFETY

WHAT TO DO IF YOU SMELL GAS.

- Do not try to light any appliance.
- Do not touch any electrical switch.
- Do not use any phone in your building.
- Immediately call your gas supplier from a neighbor's phone. Follow the gas supplier's instructions.

WARNING: Improper installation, adjustment, alteration, service or maintenance can cause injury or property damage. Refer to this manual. For assistance or additional information, consult a qualified installer, service agency or the gas supplier.

DUE TO HIGH TEMPERATURES, THE APPLIANCE SHOULD BE LOCATED OUT OF TRAFFIC AND AWAY FROM FURNITURE AND DRAPERIES.

DO NOT PLACE CLOTHING OR OTHER FLAMMABLE MATERIAL ON OR NEAR THE APPLIANCE.

CHILDREN AND ADULTS SHOULD BE ALERTED TO THE HAZARDS OF HIGH SURFACE TEMPERATURE AND SHOULD STAY AWAY TO AVOID BURNS OR CLOTHING IGNITION.

YOUNG CHILDREN SHOULD BE CAREFULLY SUPERVISED WHEN THEY ARE IN THE SAME ROOM AS THE APPLIANCE.

MAJESTIC.

ADDENDUM TO WIRING DIAGRAM Installation Instructions

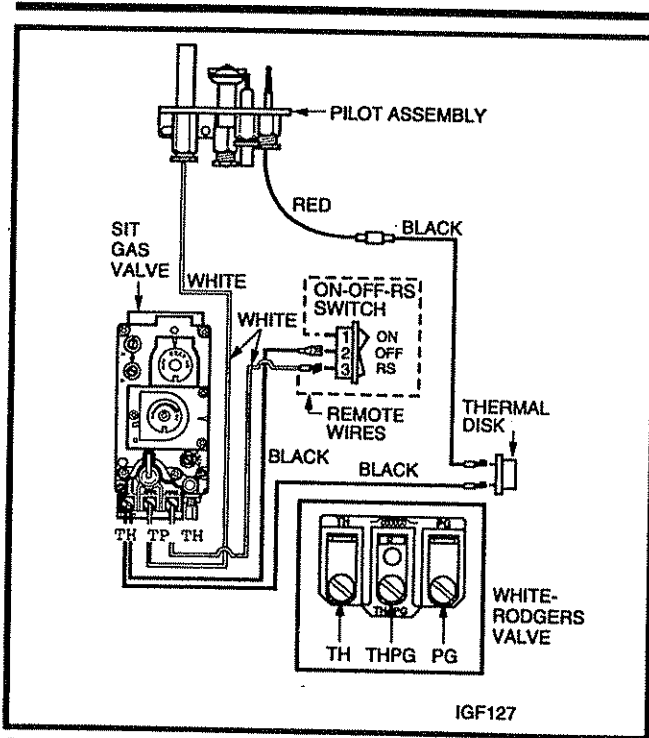
Models: Gas Appliances
Listed In The Matrix Below

MAJESTIC GAS APPLIANCES	
G330/GE330	GST536/GCV536/GBY536
G336/GE336/G336R	G501/GC501
G342/GE342	G551/GC551
GST336/GCV336	G36DV
G36HV/G42HV	

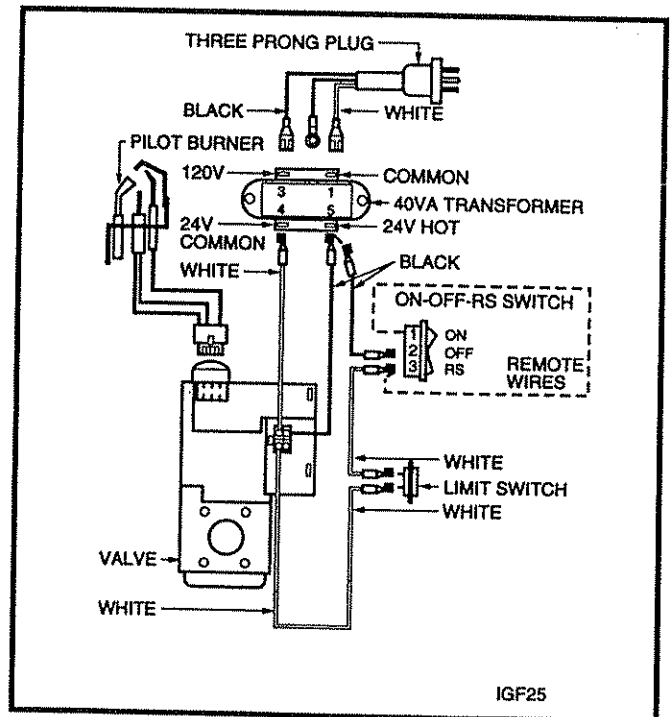
Majestic gas appliances now have the microswitch (glass switch) removed from the ignition systems. This change was implemented due to nuisance calls when: the glass was not engaging the microswitch properly; construction dirt getting into switches and switches being bent, not allowing the appliances to light.

Glass panel MUST still be installed for safe operation of these appliances.

Use the appropriate wiring diagram for your system. Standing Pilot will be the Robertshaw and SIT valves and the ADI will be the Honeywell System.



Standing Pilot — Robertshaw and SIT

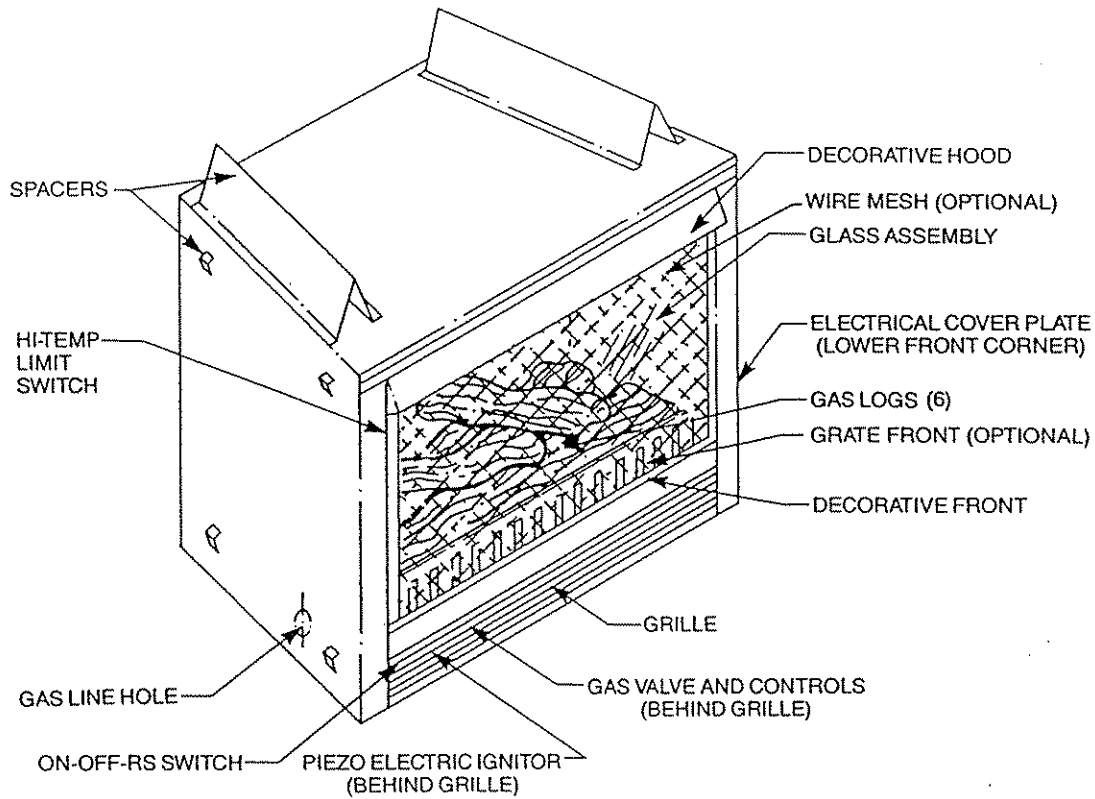


ADI — Honeywell System

MAJESTIC.

Huntington, IN 46750-2579 (219) 356-8000

IDENTIFICATION OF PARTS



DIRECT VENT SYSTEM

LEFT SIDE

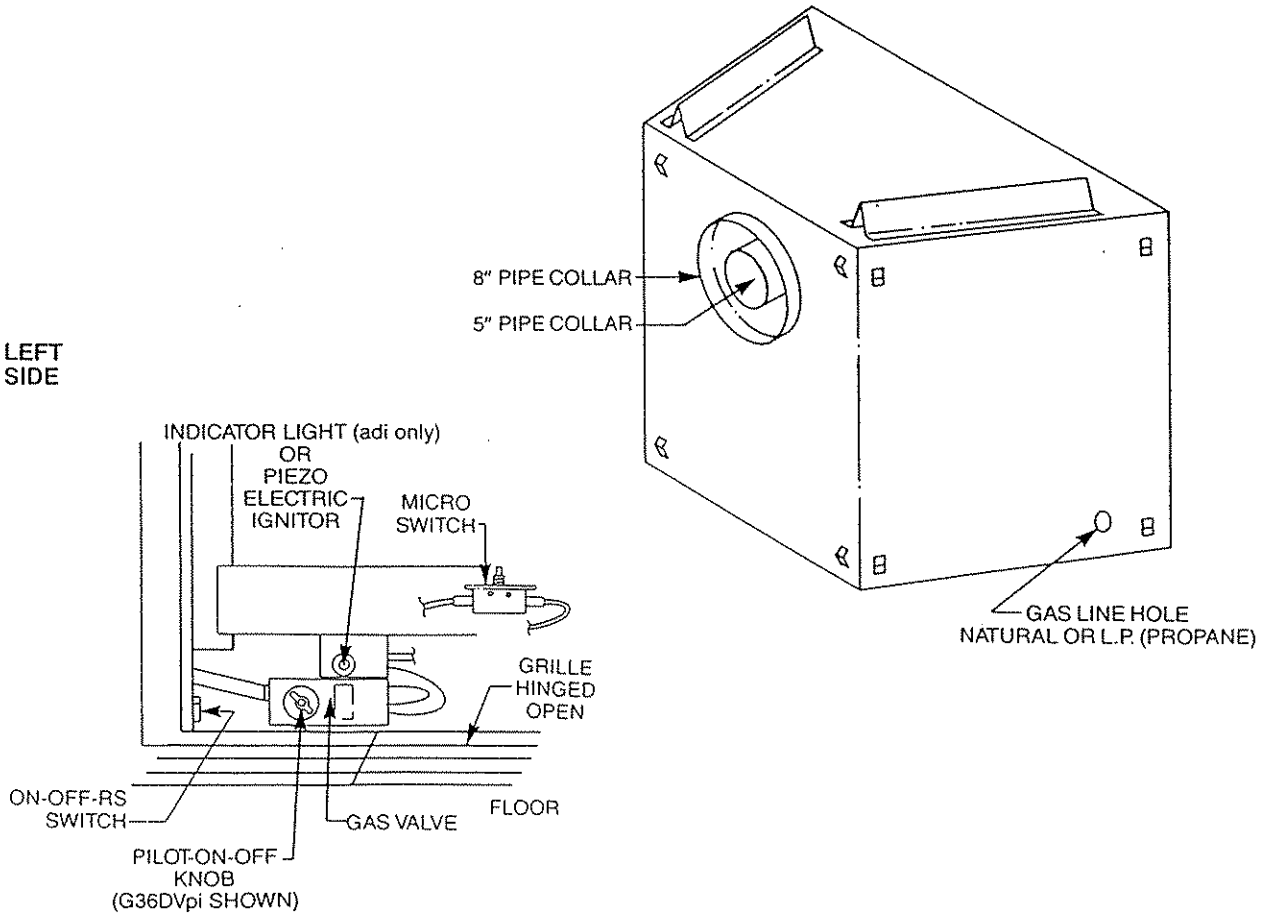


Table of Contents

1.	GENERAL INFORMATION	3
1.1.	Introduction.....	3
1.2.	Installation Precautions.....	4
2.	INSTALLATION INSTRUCTIONS.....	5
2.1.	Positioning the Appliance.....	6
2.2.	Framing.....	6
2.3.	Chase.....	6
2.4.	Corner Installations.....	7
2.5.	Basement.....	7
2.6.	Cap Alignment.....	7
2.7.	Anchor Appliance Into Position.....	7
2.8.	Connecting the Gas Line.....	7
2.9.	Electrical Wiring (GJB).....	7
2.10.	Remote Switch Wiring.....	8
2.11.	Finish Wall.....	8
2.12.	Install Hearth Extension.....	8
2.13.	Burner Preparation.....	8
3.	OPERATING INSTRUCTIONS.....	9
3.1.	First Firing.....	9
3.2.	Lighting Instructions for G36DVpi Equipped with Continuous Pilot.....	9
3.3.	Lighting Instructions for G36DVadi Equipped With Direct Ignition System.....	10
4.	MAINTENANCE.....	11
4.1.	Glass Assembly Removal.....	11
4.2.	Cleaning Burner, Pilot and Adi Ignitor.....	11
4.3.	Ceramic Log Replacement.....	11
4.4.	Glass Assembly Replacement and Glass Cleaning.....	12
4.5.	Safety Information.....	12
5.	TROUBLESHOOTING.....	13
5.1.	G36DVpi with Continuous Pilot.....	13
5.2.	G36DVadi with direct Ignition.....	14
6.	REPLACEMENT PARTS.....	14
7.	ACCESSORY PARTS.....	17

1. GENERAL INFORMATION

The installation must conform with local codes or, in the absence of local codes, with the National Fuel Gas Code, ANSI Z223.1-1988 and with the National Electrical Code, ANSI/NFPA70 (latest edition).

For installation in Canada, the installation must conform with local codes or, in the absence of local codes, with the current CAN/CGA B149 Installation Code and the Canadian Electrical Code, Part 1 (CSA Standard C22.1).

NOTE: Installation and repair should be done by a qualified service person. The appliance should be inspected before use and at least annually by a qualified service person. More frequent cleaning may be required due to excessive lint from carpeting, bedding material, etc. It is imperative that control compartment, burners, and circulating air passageways of the appliance be kept clean.

Any safety screen or guard removed for servicing an appliance must be replaced prior to operating the appliance.

Provide adequate combustion and ventilation air.

The flow of combustion and ventilation air MUST NOT be obstructed.

Provide adequate clearances around air openings into the combustion chamber and adequate accessibility clearance for servicing and proper operation. NEVER obstruct the front opening of the appliance.

1-1. Introduction.

This appliance complies with national safety standards and is tested and design certified by AGA to ANSI Z21.50, and applicable portions of ANSI Z21.44 latest edition.

Installation must conform to local codes. In the absence of local codes, installation must conform with National Fuel Gas Code ANSI Z223.1 latest edition. The appliance when installed must be electrically grounded in accordance with local codes and with the National Electrical Code, ANSI/NFPA No. 70-Latest edition.

NOTE: Installation and repair should be done by a qualified service person. The appliance should be inspected before use and at least annually by a qualified service person. More frequent cleaning may be required due to excessive lint from carpeting, bedding material, etc.

It is imperative that control compartment, burners, and circulating air passageways of the appliance be kept clean. Provide adequate clearances around air openings into the combustion chamber and adequate accessibility clearance for servicing and proper operation. NEVER obstruct the front opening of the appliance or the direct vent cap on the exterior of the house.

Minimum clearances to combustibles are: Sides 0", Floor 0", Back 0", Top 0", (these clearances are defined by the spacers). Minimum distance to the side wall if 1". Minimum distance from the ceiling to the top front of the unit is 31". (See Page 2, Identification of Parts.)

Input is 27,000 BTU/hr, Natural or LP (propane).

This appliance must be connected using the direct vent system, which must be ordered separately.

This appliance and its individual shutoff valve must be disconnected from the gas supply piping system during any pressure testing of the system at test pressures in excess of 1/2 psig (3.45 kPa).

Minimum inlet gas supply pressure is 4.5 inches water column natural gas and 11 inches water column propane. Maximum inlet gas supply pressure is 10.5" w.c. natural gas and 13.0" w.c. propane and manifold pressure should be set at 3.5" w.c. and 1 w.c. respectively.

A 1/8" N.P.T. plugged tapping is provided on the outlet side of the gas control for a test gauge connection to measure the manifold pressure.

HIGH ELEVATION DERATING

Input ratings are shown in BTU per hour and are for elevations up to 2,000 feet. For elevations above 2,000 feet, ratings should be reduced at a rate of 4 percent for each 1,000 feet above sea level. (See Page 3, Section 1.)

1-2. Installation Precautions.

1. This direct vent gas appliance and its components have been tested and will operate safely when installed in accordance with this Installation Manual. Read all instructions **before** starting installation and follow these instructions carefully **during** installation to maximize appliance benefit and safety. Failure to follow them will void your warranty and may present a fire hazard.

2. If exterior wall siding is going to be installed, or already has been, we recommend that a siding shield (DVSS) should be installed to protect the siding material. The shield should be installed after the cap has been installed.

Report to your dealer any parts damaged in shipment. Specifically check glass condition. The logs must be positioned using the predrilled holes in the log and the pegs on the grate provided (Fig. 1). Gas logs must be properly positioned or the appliance will not function properly and may result in soot accumulation on the inside of the firebox.

The Majestic warranty will be voided by, and Majestic disclaims any responsibility for, the following actions:

- **Installation of any damaged appliance or chimney component;**
- **Modification of the appliance or direct vent system;**
- **Installation other than as instructed by Majestic;**
- **Improper positioning of the gas logs or the glass doors;**
- **Installation and/or use of any component part or accessory not manufactured or approved by Majestic, not withstanding any independent testing laboratory or other third party approval of such component part or accessory.**

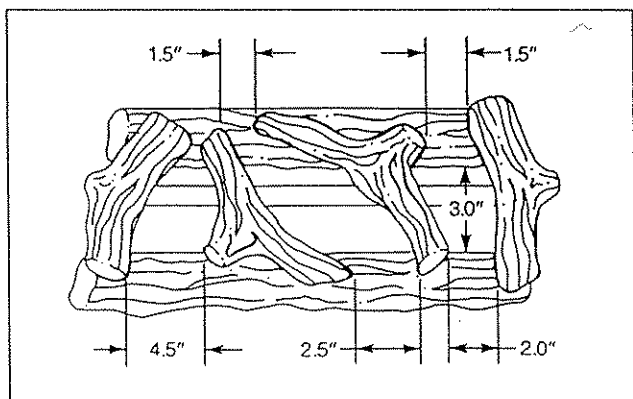


Fig. 1. Gas log positioning.

Any such action may create a possible fire hazard.

Consult your local building codes.

THIS APPLIANCE AND VENT ASSEMBLY MUST BE VENTED THROUGH AN OUTSIDE WALL AND MUST NEVER BE ATTACHED TO A SOLID FUEL BURNING CHIMNEY.

Prior to first firing, read "Operating Instructions" section of **this manual.**

Do not use this appliance if any part has been under water. Immediately call a qualified service technician to inspect the appliance and to replace any part of the control system and any gas control which has been under water.

Due to high temperature, the appliance should be located out of traffic and away from furniture and draperies.

DO NOT PLACE CLOTHING OR OTHER FLAMMABLE MATERIAL ON OR NEAR THE APPLIANCE.

WARNING: THERE IS A POSSIBILITY OF ODOR FADE IN LP. NEVER INSTALL AN LP APPLIANCE OR SERVICE LINE BELOW GRADE WITHOUT A GAS DETECTOR.

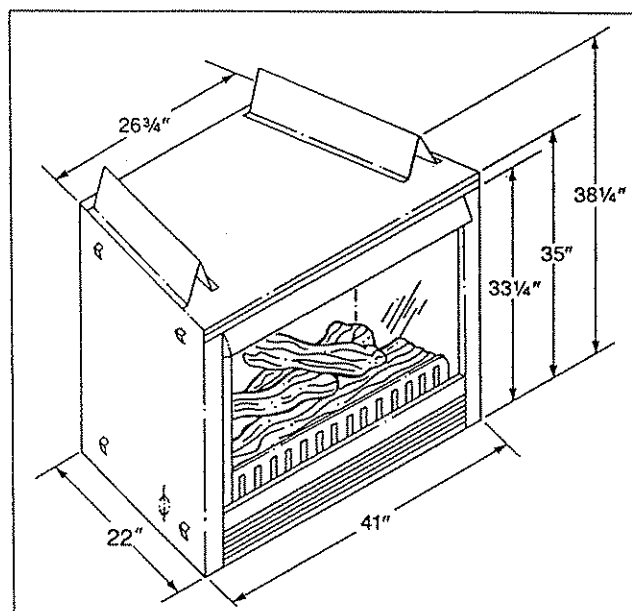


Fig. 2. Fireplace dimensions.

For appliance framing dimensions (See Figs. 2 & 4.), 1/2" must be added on each side and 1" to its depth.

This unit comes with the grate secured in place. Logs are packaged in a separate package. The Vent Kits are in separate containers depending upon the type of installation. To install the logs, remove the glass assembly. The gas logs must be properly positioned as per Fig. 1.

Open the bag of vermiculite or lava rock and spread it evenly on the bottom of the firebox, and on front leg of burner tube, making sure not to block the air hole at the base of the burner. The glass assembly must be replaced to light the unit. **THE UNIT WILL NOT OPERATE UNLESS THE GLASS ASSEMBLY IS SECURED IN PLACE.**

Access to the gas control and piezo electric lighter is by opening the front lower grille.

The unit is designed to operate with all combustion air being siphoned through the concentric pipe from the outside.

The G36DV Series **must** use one or more of the vent kits. No other pipe systems may be used.

If **vinyl exterior siding is going to be installed**, or already **has been, we recommend that a siding shield (DVSS) should be installed to protect the vinyl material. The shield should be installed after the cap has been installed.**

The unit comes with a burner ON-OFF-RS switch that is located **on the lower left**, behind the front grille. The switch is for turning unit ON-OFF in conjunction with a remote switch. Additionally, if the unit has the optional blower kit, the rheostat (variable speed control) could be mounted on the wall.

2. INSTALLATION INSTRUCTIONS

In planning the installation for the G36DV Series, it is necessary **to** install certain components before the appliance is completely positioned and installed. These include the direct vent system, gas piping for the appliance and the electrical wiring. (If the fan option is used.)

All installations require venting to the outside using the concentric pipe and vent cap.

The appliance can be mounted on any of the following surfaces:

1. A flat, hard combustible (burnable) surface.
2. A raised wooden platform.
3. Four (4) **corner** supports. (Example: Four (4) concrete masonry blocks.) These supports must be positioned so **they contact** all four (4) dimples and perimeter edges on the **bottom of the unit.**

There are four (4) **basic** types of installations. (See Figs. 3, 4, 5 and 6.)

1. Straight out (4" - 13" wall thickness).
2. Extended straight out (13" - 24" wall thickness).
3. Corner installation.
4. Basement installation.

The Vent Kit Installation Instructions are included with the Vent Kit and appliance and should be used in conjunction **with** the appliance installation. Also, see Extended Venting Instructions for other possible applications. **NOTE:** Vent Kits must be sealed with high-temperature silicone (HTS).

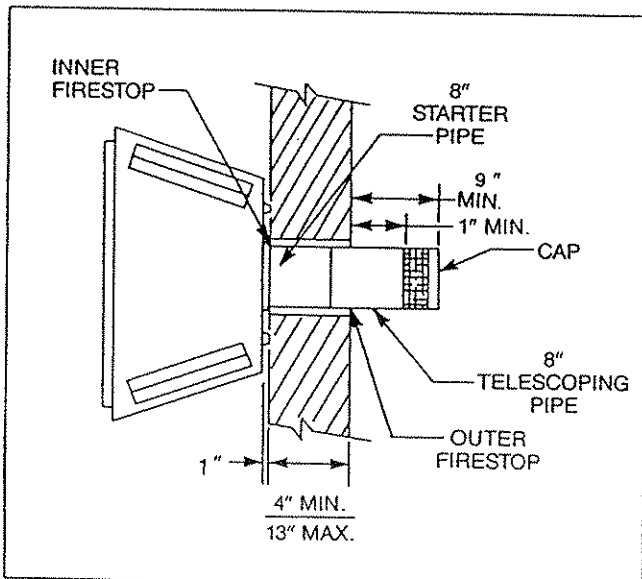


Fig. 3. Straight out installation (4" — 13" wall thickness).

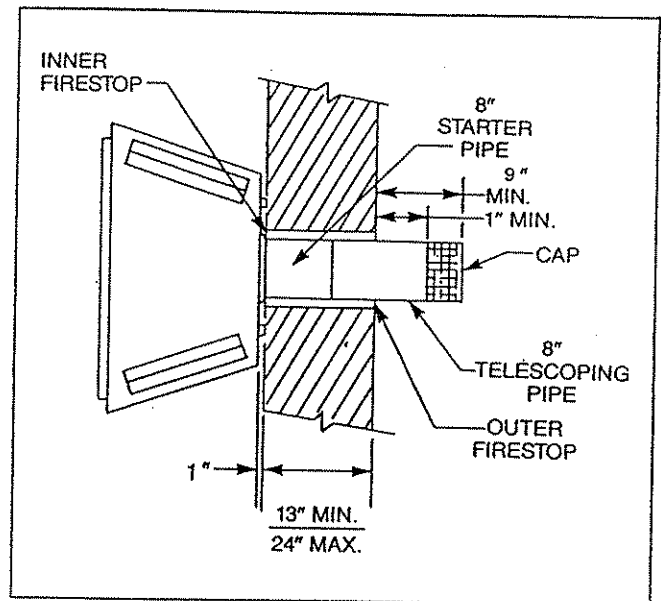


Fig. 4. Extended straight out installation (13" - 24" wall thickness).

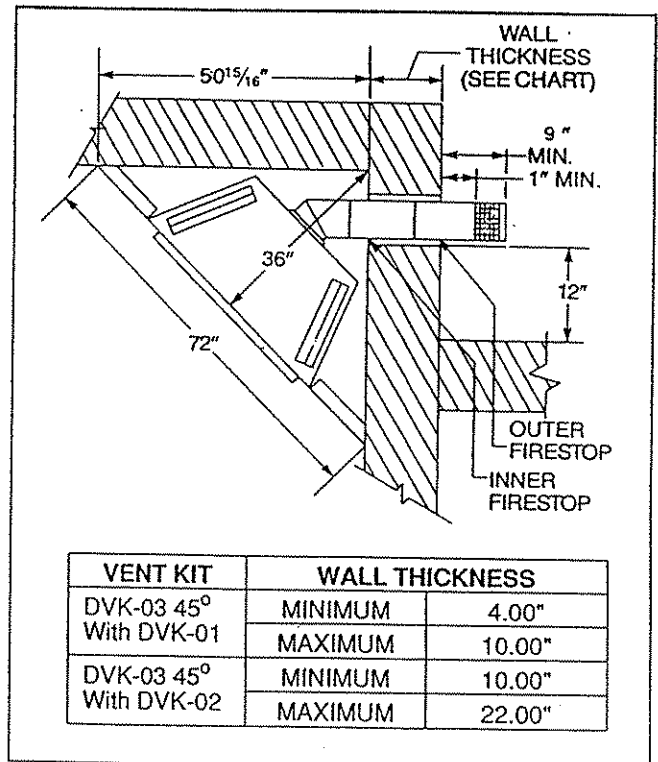


Fig. 5. ~~Corner~~ installation.

** 16 3/4" from corner to center of flue in
#3604.*

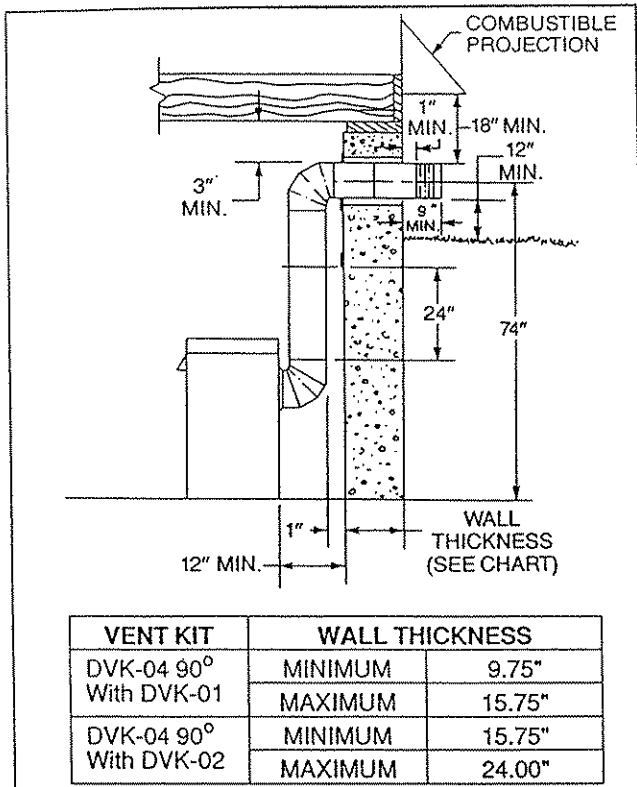


Fig. 6. Basement installation.

2-1. Positioning the Appliance.

Determine the exact position of the appliance so the direct vent pipe is centered (if possible) between two studs. This will avoid any extra framing.

The back of the appliance may be positioned directly against a combustible wall.

2-2. Framing.

Appliance framing can be built before or after the appliance is set in place. The appliance framing should be constructed of 2 x 4 lumber or heavier. Refer to framing data for basic appliance dimensions that will affect the framing dimensions. (See Fig. 7.)

The header may rest on top of the appliance standoffs which are three inches above the top of the unit. Framing should be positioned to accommodate wall covering and appliance facing material.

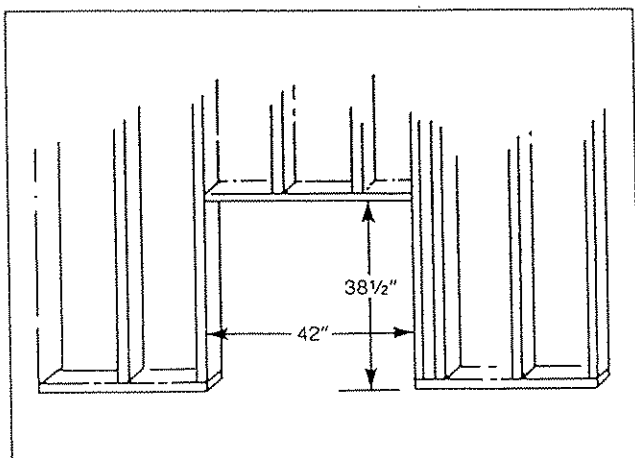


Fig. 7. Framing dimensions.

2-3. Chase.

To install the G36DV Series using a flush mount, it is necessary to cut and frame a hole in the wall, build an exterior support platform and build and insulate a small exterior chase.

The support platform (See Fig. 8) must be a minimum of 22 inches deep and 42 inches wide. Inside dimensions of the support platform can be tapered to match the contour of the unit. Although it is easier to use the rectangular dimensions. If the appliance is to be installed directly on carpeting, tile or other combustible material other than wood flooring, the appliance shall be installed on a metal or wood panel extending the full width and depth of the unit.

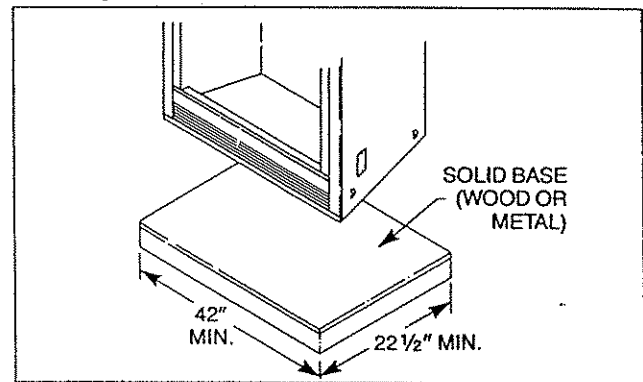


Fig. 8. Support platform.

A. BUILDING AND INSULATING THE CHASE

A chase is a box-like structure built to enclose the appliance. While the G36DV Series does not require a full chase for the chimney system, it does require a small chase when it is installed as shown in Fig. 9. Minimum dimensions are given. When installing a direct vent gas appliance in a chase, it is always good building practice to insulate the chase as you would the outside wall of your home.

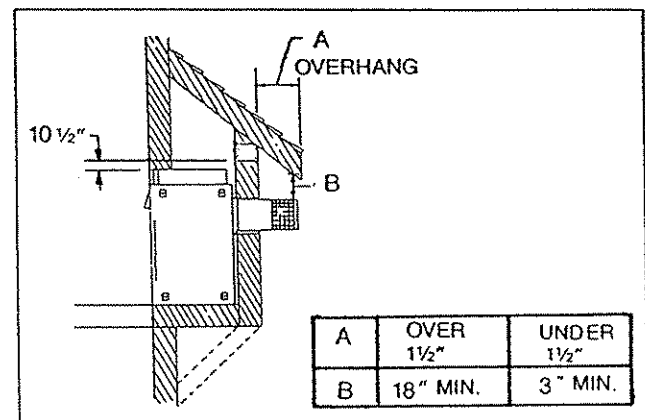


Fig. 9. Chase installation.

NOTE: No combustible materials may be closer than 10 1/2" directly above the vent pipe when the unit vents directly through a wall as in Fig. 9.

CAUTION: Treatment of firestop spacers and construction of the chase may vary with the type of building. These instructions are not substitutes for the requirements of local building codes. Therefore, your local building codes must be checked to determine the requirements for these steps.

2-4. Corner Installations.

Corner installations require the use of the vent kits, DVK-O1 and DVK-03, and possibly DVK-02, depending upon wall thickness. The DVK-03 can be used for a left or right hand installation.

The unit is designed to sit in the corner at an exact 45 degree angle. See Vent Kit instruction.

2-5. Basement.

Elevated installations require the use of vent kits DVK-01 or DVK-02 with a DVK-04. These kits can be used for a left or right installation. This system can also be installed up against a back wall, leaving a 1" space between vertical pipe and wall. Some installations may require additional venting not shown. There is an Extended Venting Instruction that may be obtained from your distributor or Majestic for other possible applications.

2-6. Cap Alignment.

The cap in the DVK-01 and DVK-02 Vent Kits should always be positioned so that the arrow () is pointing upward. (See Fig. 10.)

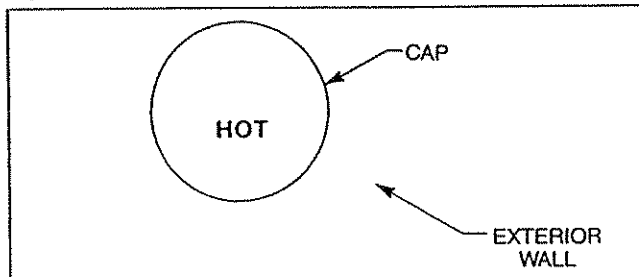


Fig. 10. Cap alignment.

2-7. Anchor Appliance Into Position.

To prevent the unit from shifting, the appliance should be anchored. Two (2) methods are possible: Use bottom fastening tabs as shown in Fig. 11, or use the standoffs on the top of the appliance. A nail may be driven through the standoff at the front of the appliance into the header as shown in Fig. 12.

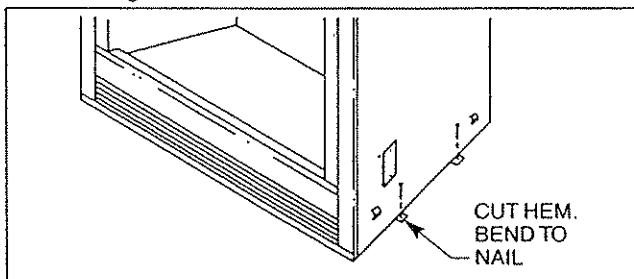


Fig. 11. Permanent positioning using bottom fastening tabs.

2-8. Connecting the Gas Line.

Route the 3/8" gas line to the left side of the firebox compartment. The G36DV Series appliance is designed to accept a 3/8" gas line for an approved gas appliance. Have the gas line installed by a qualified service person in accordance with all building codes. If the length of run is greater than 25 feet, a 1/2" pipe is recommended to the unit with a reduction to 3/8" for the hookup at the unit.

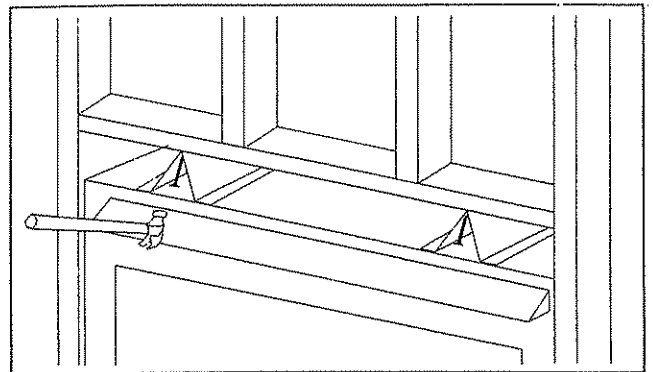


Fig. 12. Permanent positioning using the standoffs. Locate the gas line access hole in the left outer casing of the fireplace. (See Fig. 13.)

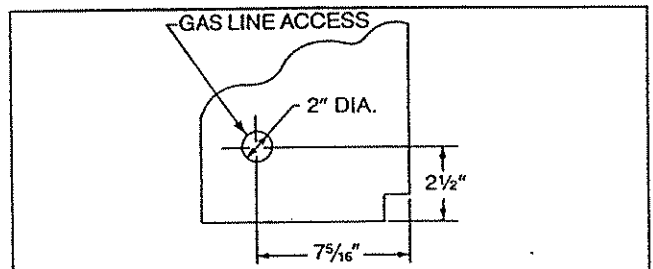


Fig. 13. Gas line access.

Next, insert a 3/8-inch gas pipe through the gas line hole from the outside of the appliance. Now, install the 3/8-inch gas pipe through the opening and connect it. Support the control when attaching the pipe, so that the pilot line is not bent or torn. After the gas pipe installation is complete, use insulation to repack the space around the pipe. This should be inserted from the outside of the appliance and packed tightly to totally seal between the pipe and the outer casing. **NOTE:** The gas pipe should not come in contact with any wood structures until it has reached a point at least one inch away from the appliance side.

CAUTION: After the gas pipe installation is complete, check carefully all gas connections for leaks with soap solution. DO NOT USE OPEN FLAME.

2-9. Electrical Wiring (GJB).

The wiring for the optional blower must be done before the unit is finished. The junction box must be positioned on the lower right side of the unit. Remove the cover plate and hook up the wiring as shown in Figs. 14 and 15. Detailed instructions for the optional blower are included with the kit.

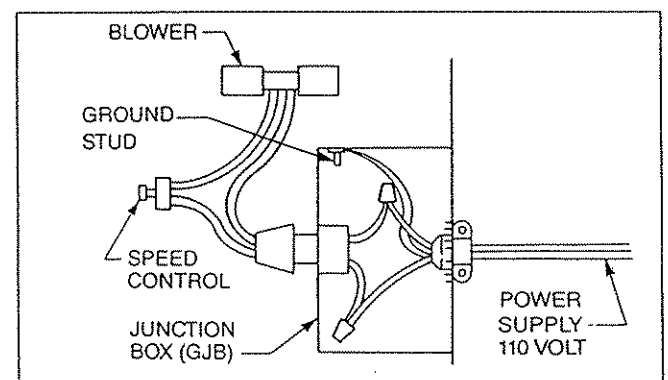


Fig. 14. Wiring for optional blower.

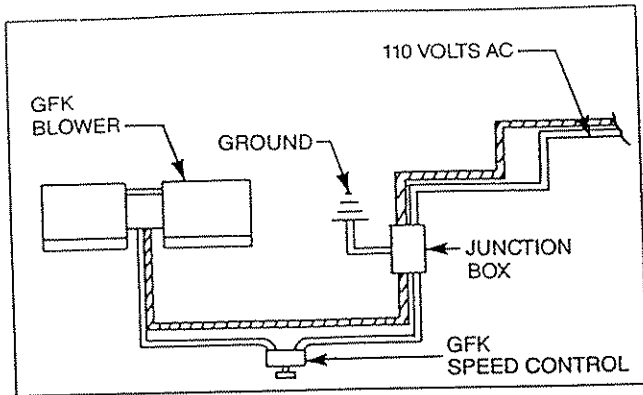


Fig. 15. Blower electrical schematic.

2-10. Remote Switch Wiring.

ON-OFF-RS SWITCH is located at the bottom left of the appliance behind the louvered grille. Pull louvered grille from the top towards yourself and rotate downward.

To the right and above the ON-OFF-RS SWITCH you will see two (2) similar non-attached connectors A and E. (See Fig. 16.) Insert connectors J (white wire) and I (red wire) of remote switch into connectors A (white wire) and E (black wire), respectively.

ON-OFF-RS SWITCH is shown in Fig. 16. in the "OFF" position. Your remote switch will only work with the three position ON-OFF-RS SWITCH depressed on the "RS" (front) side. Your remote switch is now ready for use. The switch will not work when the ON-OFF-RS SWITCH is in the "OFF" (middle) position or "ON" (back) position.

A battery or 24VAC powered wireless remote receiver is available. Also, a GWSK remote wall switch may be used.

2-11. Finish Wall.

CAUTION: All joints between the finished wall and the appliance surround (top and sides) can only be sealed with non-combustible material. Only non-combustible material can be applied as facing to the appliance surround.

WHEN FINISHING THE APPLIANCE, NEVER OBSTRUCT OR MODIFY THE AIR INLET/OUTLET GRILLES IN ANY MANNER.

Finish the wall with the material of your choice. Do not install a combustible mantel or other combustible projection above the appliance opening unless it is a minimum of 12 inches above the lower front edge of the decorative hood. (See Fig. 15.)

The exterior of the chase may be finished to match the exterior of the house. DO NOT put any finishing material on the vent cap DO NOT extend the roofing material more than 11/2" beyond the chase itself, unless the roofing material is at least 18" above the cap. (See Fig. 6.)

2-12. Install Hearth Extension.

A hearth extension is recommended to protect combustible floor construction in front of the appliance (minimum of 12" x 36"). (See Fig. 18.)

A built-up hearth extension must be constructed of a non-combustible material. The overall height (above combustible floor), depth and width must be as indicated, with it centered to the appliance opening. Hearth extension material should not obstruct grille opening.

2-13. Burner Preparation.

Cover the pilot before applying the lava rock and embers. Fill ember tray with lava rock in front and behind front leg of burner tube. Cover the front leg of the burner tube with one layer of lava rock except over ports. Do not cover gas ports with lavarock.

Pour the remaining amount of lava rock on the hearth pan on each side and back of the burner tube. Evenly apply embers on top of lava rock covering the entire surface. (See Fig. 20.)

NOTE: Make sure that all ports or burner tube ignite. If ports do not ignite, rearrange lava rock until all burner tube ports ignite.

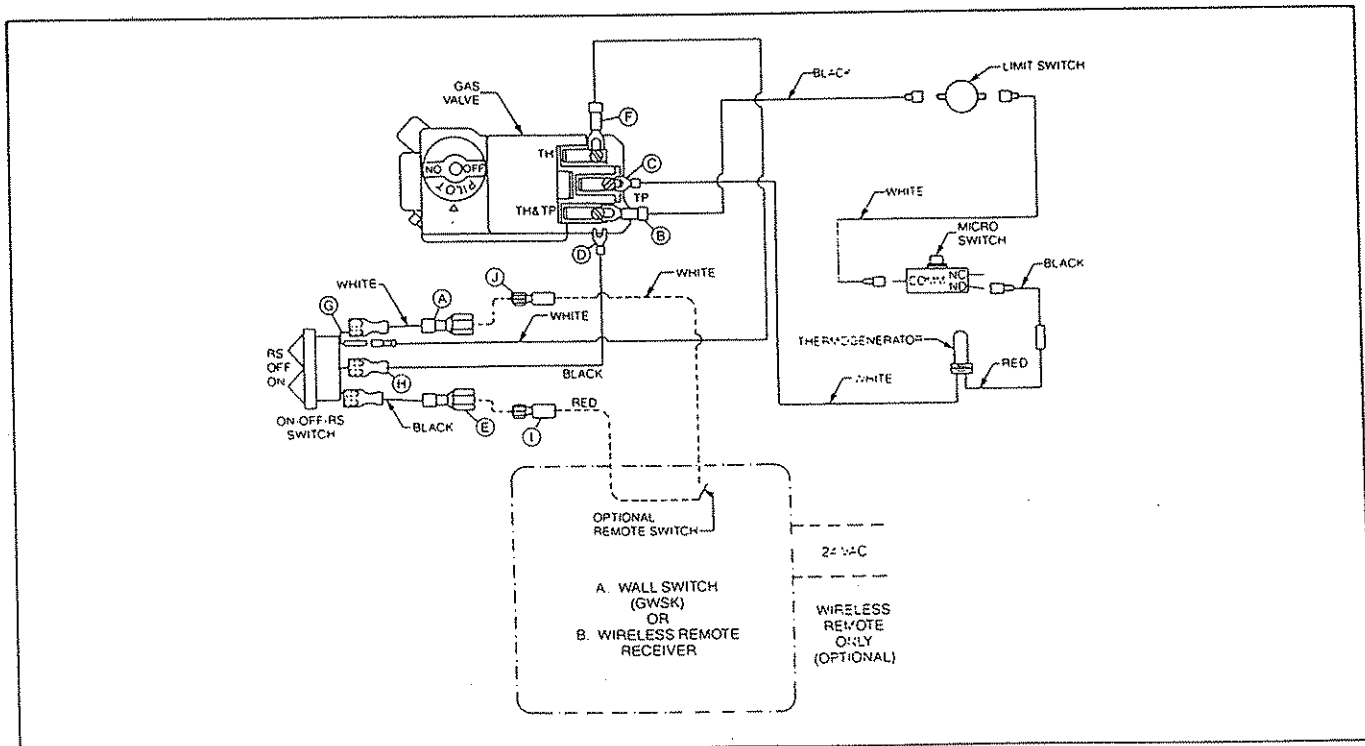


Fig. 16. Wiring diagram G36DVpi.

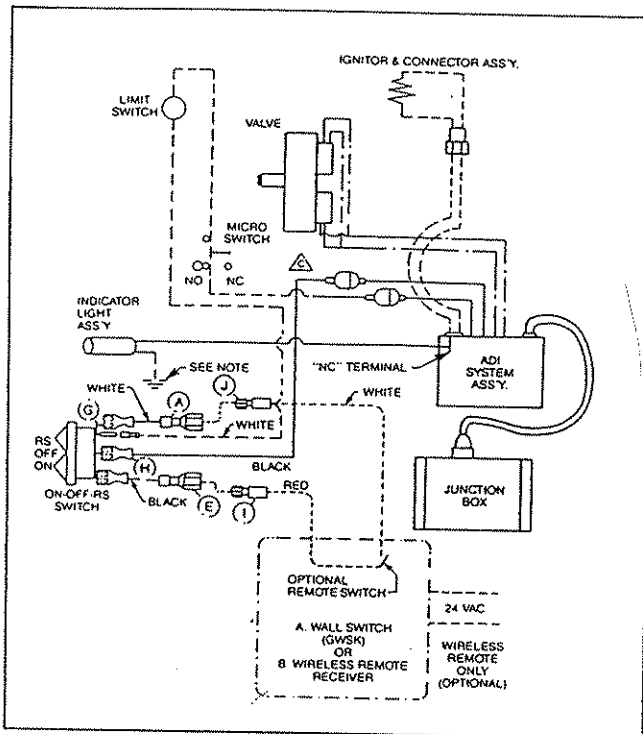


Fig. 17. Wiring diagram for G36DVadi.

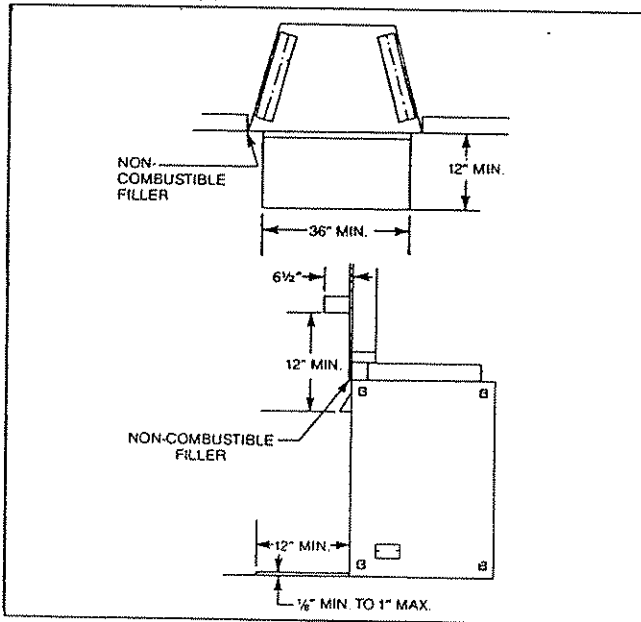


Fig. 18. Hearth extensions.

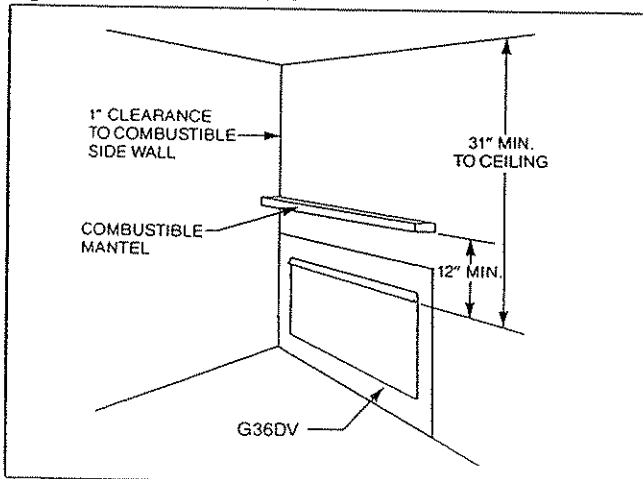


Fig. 19. Mantel clearance.

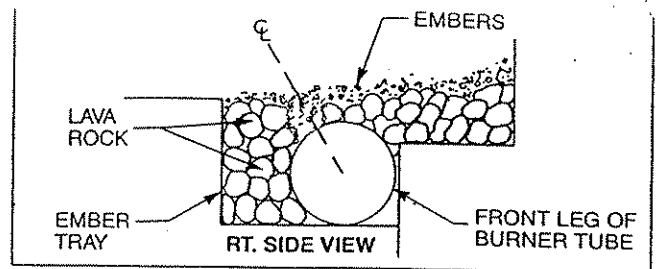


Fig. 20. Burner preparation.

3. OPERATING INSTRUCTIONS

3-1. First Firing.

Upon completing your gas line connection, a small amount of air will be in the lines. When first lighting unit with pilot light, it will take a few minutes for the lines to purge themselves of this air. Once the purging is complete, the pilot and burner will light and operate as indicated in the instruction manual. Subsequent lightings of the appliance will not require such purging.

When lit for the first time, the appliance will emit a slight odor for an hour or two (2). This is due to paint and lubricants used in the manufacturing process. Additionally, for the first few minutes after each lighting, vapor may condense and fog the glass. After a few minutes, this moisture will disappear. Once the appliance has burned for the first 2-3 hours, it is recommended that you clean the glass panel. Due to the paint and lubricants that burn off during the firing, the by-products will collect on the glass and be baked in if not cleaned. Using a polishing paste type cleaner will clean the glass and leave a protective coating to help keep it clean for many hours of use.

3-2. Lighting Instructions for G36DVpi Equipped with Continuous Pilot

FOR YOUR SAFETY READ BEFORE LIGHTING

WARNING: IF YOU DO NOT FOLLOW THESE INSTRUCTIONS EXACTLY, A FIRE OR EXPLOSION MAY RESULT CAUSING PROPERTY DAMAGE, PERSONAL INJURY OR LOSS OF LIFE.

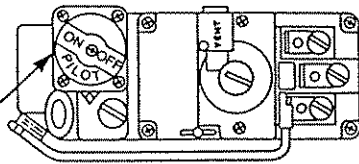
- A. This appliance has a pilot. When lighting the pilot, follow these instructions exactly.
- B. **BEFORE LIGHTING** smell all around the appliance area for gas. Be sure to smell next to the floor because some gas is heavier than air and will settle on the floor.

WHAT TO DO IF YOU SMELL GAS

- Do not try to light any appliance.
 - Do not touch any electric switch; do not use any phone in your building.
 - Immediately call your gas supplier from a neighbor's phone. Follow the gas supplier's instructions.
 - If you cannot reach your gas supplier, call the fire department.
- C. Use only your hand to push in or turn the gas valve control knob. Never use tools. If the knob will not push in or turn by hand, don't try to repair it, call a qualified service technician. Force or attempted repair may result in a fire or explosion.
 - D. Do not use this appliance if any part has been under water. Immediately call a qualified service technician to inspect the appliance and to replace any part of this control system and any gas control which has been under water

LIGHTING INSTRUCTIONS

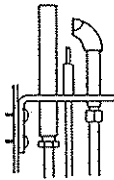
1. **STOP!** Read the safety information on page 9.
2. To access the controls, pull the lower grille forward. The grille is hinged to open downward.
3. Turn ON-OFF-RS switch on the unit to "OFF". Turn wall switch "OFF" if used. Turn wireless remote if used to "OFF".
4. Push in gas control knob slightly and turn clockwise ↻ to "OFF".



KNOB SHOWN
IN PILOT POSITION

GAS VALVE

THERMOPILE



PILOT BURNER

NOTE: Knob cannot be turned from "PILOT" to "OFF" unless knob is pushed in slightly. Do not force.

5. Wait five (5) minutes to clear out any gas. If you then smell gas, **STOP!** Follow "B" in the safety information. If you don't smell gas, go to next step.
6. Turn knob on gas control counterclockwise ↶ to "PILOT".
7. Push in control knob all the way and hold in. Immediately start pushing red button at least once every second until pilot lights. Continue to hold the control knob in for about one (1) minute after the pilot is lit. Release knob and it will pop back out. Pilot should remain lit. If it goes out, repeat Steps 4 through 7.
 - If the knob does not pop out when released, stop and call your service technician or gas supplier.
 - If the gas pilot will not stay lit after several tries, turn the gas control knob to "OFF" and call your service technician or gas supplier.
8. After the pilot has been lit, the burner can be turned on by turning knob counterclockwise ↶ to the "ON" position. Then flip the ON-OFF-RS switch to the "ON" position.
9. To close the control panel simply lift the grille and press in.

TO TURN OFF GAS TO APPLIANCE

1. To access the controls, pull the lower grille forward. The grille is hinged to open downward.
2. Turn ON-OFF-RS switch to "OFF"; turn wall switch or wireless remote if used to "OFF".
3. Push in gas control knob slightly and from clockwise ↻ to "OFF". Do not force.
4. Close the front access door.

3-3. Lighting Instructions for G36DVadi Equipped With Direct Ignition System.

FOR YOUR SAFETY READ BEFORE LIGHTING

WARNING: IF YOU DO NOT FOLLOW THESE INSTRUCTIONS EXACTLY, A FIRE OR EXPLOSION MAY RESULT CAUSING PROPERTY DAMAGE, PERSONAL INJURY OR LOSS OF LIFE

- A. This appliance has a pilot. when lighting the pilot, follow these instructions exactly.
- B. **BEFORE LIGHTING** smell all around the appliance area for gas. Be sure to smell next to the floor because some gas is heavier than air and will settle on the floor.

WHAT TO DO IF YOU SMELL GAS

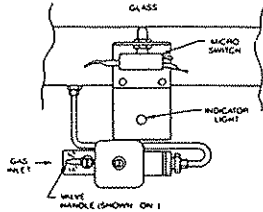
 - Do not try to light any appliance.
 - Do not touch any electric switch; do not use any phone in your building.
 - Immediately call your gas supplier from a neighbor's phone. Follow the gas supplier's instructions.
 - If you cannot reach your gas supplier, call the fire department.
- C. Use only your hand to push in or turn the gas valve control knob. Never use tools. If the knob will not push in or turn by hand, don't try to repair it, call a qualified service technician. Force or attempted repair may result in a fire or explosion.
- D. Do not use this appliance if any part has been under water. Immediately call a qualified service technician to inspect the appliance and to replace any part of this control system and any gas control which has been underwater.

LIGHTING INSTRUCTIONS

1. **STOP!** Read the safety information above.
2. To access the controls, pull the lower grille forward. The grille is hinged to open downward.
3. Turn ON-OFF-RS switch on the unit to "OFF". Turn wall switch "OFF" if used. Turn wireless remote if used to "OFF".
4. This appliance is equipped with an ignition device which automatically lights the burner. Do not try to light the burner by hand.
5. Turn the valve handle counterclockwise to "OFF".
6. Wait five (5) minutes to clear out any gas. if you then smell gas, **STOP!** Follow "B" in the safety information above. if you don't smell gas, go to next step.
7. Turn the valve handle clockwise to "ON". (See Fig. 2.)
8. Close the lower grille.
9. Turn ON-OFF-RS switch on the unit to "ON"; turn wall switch or wireless remote if used to "ON".

LIGHTING INSTRUCTIONS

10. The ignition sequence will start with the red indicator light coming "ON". The ignitor will then begin to glow after about 15 to 20 seconds. Between 25 and 30 seconds, the gas valve should open and the burner should light. If the appliance burner will not light after three (3) attempts, follow the instructions "To Turn Off Gas To Appliance" and call your service technician or gas supplier.



TO TURN OFF GAS TO APPLIANCE

1. To access the controls, pull the lower grille forward. The grille is hinged to open downward.
2. Turn ON-OFF-RS switch to "OFF"; turn wall switch or wireless remote if used to "OFF".
3. Turn the valve handle counterclockwise to "OFF".
4. Close the front access door.

4. MAINTENANCE

IMPORTANT: Turn off gas before servicing appliance. It is recommended that a competent serviceman perform these checkups at the beginning of each heating season. Perform periodic examination of venting system. Always keep the appliance area clear and free of combustible material, gasoline and other flammable vapors and liquids.

Clean all foreign materials from the top of the burner and from the bottom panel below burner.

NOTE: Installation and repair should be done by a qualified service person. The appliance should be inspected before use and at least annually by a qualified service person. More frequent cleaning may be required due to excessive lint from carpeting, bedding material, etc. It is imperative that control compartment, burners, and circulating air passageways of the appliance be kept clean.

WARNING: THE LOGS CAN GET VERY HOT — HANDLE ONLY WHEN COOL.

Always turn off gas to the pilot before cleaning. For relighting, refer to lighting instructions located behind the lower front grille assembly.

Never obstruct the flow of combustion and ventilation air. Keep the front of the appliance clear of all obstacles and materials.

WARNING: CHILDREN AND ADULTS SHOULD BE ALERTED TO THE HAZARDS OF HIGH SURFACE TEMPERATURE AND SHOULD STAY AWAY TO AVOID BURNS OR CLOTHING IGNITION. YOUNG CHILDREN SHOULD BE SUPERVISED WHEN THEY ARE IN THE SAME ROOM AS THE APPLIANCE.

Inspect the external vent cap on a regular basis to make sure that no debris is interfering with the air flow.

4-1. Glass Assembly Removal.

1. To remove the glass assembly, the decorative front must be removed first. To do this, use both hands just under the top frame section and lift the front up and out, away from the appliance. Carefully place the front down so as not to scratch the face.
2. Loosen the four (4) wing nuts at the bottom of glass assembly and note carefully how brackets fit over glass or metal strip.
3. Remove the two (2) wing nuts on each side of glass assembly, noting carefully how the bracket fits on the unit.
4. Remove the four (4) wing nuts at the top of unit while holding the glass against face of the unit.
5. Glass assembly is now ready for removal. Swing top away from unit approximately two (2) inches and lift glass up and out, being careful not to scratch glass on mounting pins.

4-2. Cleaning Burner, Pilot and Adi Ignitor.

1. In order to properly clean the burner and pilot assembly, turn off the gas and remove the logs, exposing the burner and pilot assembly.
2. Clean all foreign materials from top of burner. Check to make sure that burner orifice is clean.
3. Visually inspect pilot. Brush or blow away any dust or lint accumulations. If pilot orifice is plugged, disassembly may be required to remove any foreign material from orifice or tubing. When appliance is put back in service, check flame patterns with Fig. 17.
4. Taking care of the G36DVadi is almost identical to taking care of the G36DVpi. The hot surface ignitor is the only component which requires **EXTREMELY DELICATE HANDLING**. The ignitor is made out of silicone carbide which is a very brittle material. **YOU SHOULD NOT TOUCH THE HEATING PART OF THE IGNITOR WITH YOUR FINGERS.**

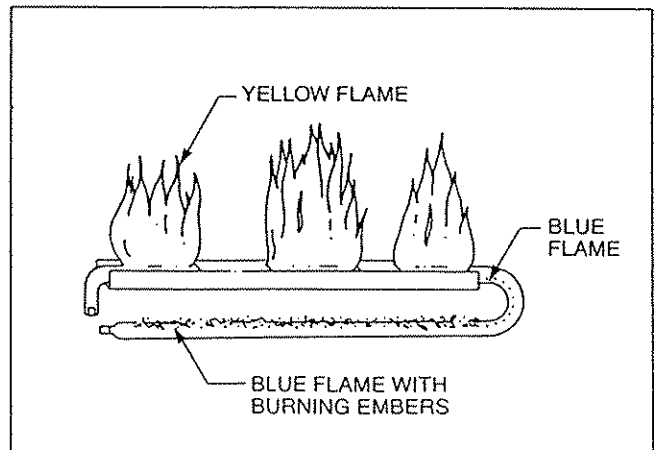


Fig. 21. Flame patterns.

4-3. Ceramic Log Replacement.

1. Remove the decorative front. (See Section 4.1, Glass Assembly Removal.)
2. The log(s) can now be removed as required. Replace the log(s) as previously shown in Fig. 1, Gas Log Positioning. Replace glass assembly and decorative front.

4-4. Glass Assembly Replacement and Glass Cleaning.

1. Before replacing the glass assembly, make sure the lava rock material is spread evenly over the bottom of the firebox and the logs are properly positioned.
2. The glass panel will need cleaning periodically depending on how often it is burned. Clean the glass with a household cleaner.
3. Set bottom lip of glass assembly firmly on top of the microswitch so it pushes button down.

NOTE: If glass does not push against the microswitch, the pilot will not stay lit or the adi system will not light burner.

4. With glass assembly in place, push glass against unit and at the same time, put brackets on sides of assembly and hand tighten the wing nuts provided.
5. Attach the brackets at the top and bottom of the glass and hand tighten.

NOTE: Wing nuts that secure glass only need to be **HAND TIGHT** to give a snug fit for proper gasket seal.

Overtightening may result in damaged glass.

6. Replace decorative front, proceed in reverse order of number 1 under Glass Assembly Removal.

4-5. Safety Information.

1. ELECTRICAL CONTROL SYSTEM G36DVpi

The G36DVpi Series system is wired so the thermogenerator, when heated with the pilot light, will produce approximately 700 millivolts. This activates the gas control valve. For protection, the glass assembly **must** be in the closed position to work (this activates the microswitch). Additionally, a high temperature limit switch is used for protection and would close the main gas valve should a high surface temperature condition be encountered. (See Fig. 22.)

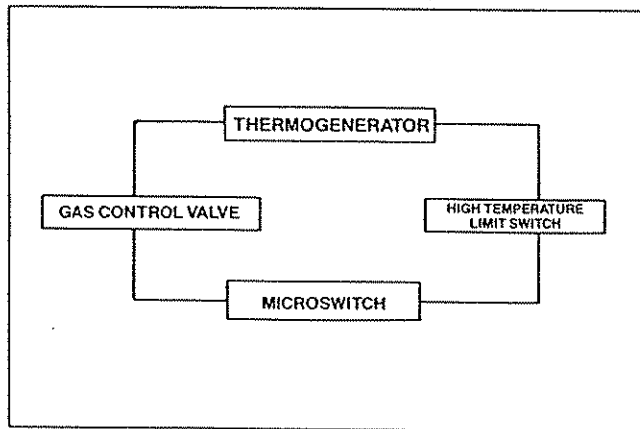


Fig. 22. High temperature limit switch.

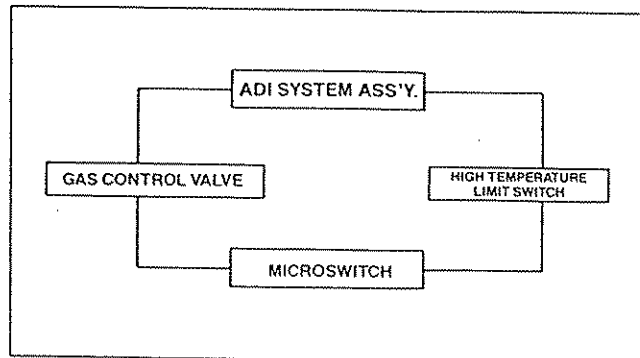


Fig. 23. Electrical wiring system.

2. ELECTRICAL CONTROL SYSTEM G36DVadi

The G36DVadi Series system is wired through the ADI System Assembly which effects the ignition of the burner with a silicon ignitor through an electronic control. For protection, the glass **must** be in the closed position to work (this activates the microswitch). Additionally, a high temperature limit switch is used for protection and would close the main gas valve should a high surface temperature condition be encountered. (See Fig. 23.)

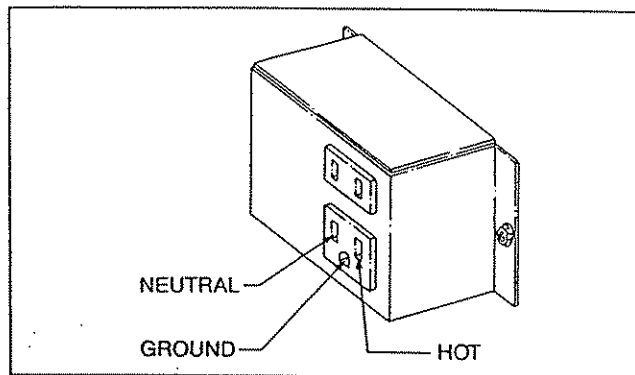


Fig. 24. G36DVadi junction box.

5. TROUBLESHOOTING

5-1. G36DVpi with Continuous Pilot.

With proper installation and maintenance, your new Gas Appliance should provide years of trouble-free service. If you do experience a problem, refer to the troubleshooting guide shown below. This guide will assist you or a qualified service person in the diagnosis of problems and the corrective action to be taken.

SYMPTOM	POSSIBLE CAUSES	CORRECTIVE ACTION
<p>1. Spark ignitor will not light after repeated triggering of red button.</p>	<p>A. Defective ignitor (no spark at electrode).</p> <p>B. Defective pilot or misaligned electrode (spark at electrode).</p> <p>C. No gas or low gas pressure.</p> <p>D. No L.P. in tank.</p>	<p>1. Check for spark at electrode and pilot; if no spark and electrode wire is properly connected, replace ignitor.</p> <p>1. Using a match, light pilot. If pilot lights, turn off pilot and trigger the red button again. If pilot lights, an improper gas/air mixture caused the bad lighting and a longer purge period is recommended. If pilot will not light – check gap at electrode and pilot – should be 1/8-inch to have a strong spark. If OK, replace pilot.</p> <p>1. Check remote shutoff valves from appliance. Usually there is a valve near the appliance and sometimes there is a valve near the main. there can be more than one (1) valve between the appliance and main.</p> <p>2. Low pressure can be caused by a variety of situations such as a bent line, too narrow diameter of pipe or even low line pressure. Check for kinked lines. If non, consult with plumber or gas supplier.</p> <p>1. Check L.P. (Propane tank). You may be out of fuel.</p>
<p>2. Pilot will not stay lit after carefully following lighting instructions.</p>	<p>A. Defective thermogenerator.</p> <p>B. Defective automatic valve.</p> <p>C. Glass assembly does not fully depress microswitch.</p>	<p>1. Check pilot flame. Must impinge on thermogenerator. Clean and/or adjust pilot for maximum flame impingement on generator.</p> <p>2. Be sure wire connections from generator at gas valve terminals are tight and generator is fully inserted into pilot bracket.</p> <p>3. One (1) of the wall switch wires may be grounded. Remove wall switch wires from valve terminals. If pilot now stays lit, trace wall switch wiring for a ground. May be grounded to fireplace or gas supply.</p> <p>4. Check thermogenerator with millivolt meter. Take reading at generator terminals of gas valve (TH-TP and TP). It should read 325 millivolts minimum while holding valve knob depressed in pilot position with pilot lit and wall switch "OFF". Replace faulty generator if reading is below specified minimum.</p> <p>1. Turn valve knob to "ON", place wall switch to "ON". Millivolt meter should read greater than 100 mV. If the reading is okay and the burner does not come on, replace the gas valve. An external flame to unit must be held on thermogenerator to check reading.</p> <p>1. Adjust glass so it fully depresses the microswitch. (Do not operate unit with broken or cracked glass.)</p> <p>2. If fully depressed, place jumper wires across connectors and if it allows you to reignite, the switch should be replaced. Do not operate unit with jumper wires in place. When the jumper wire is in place and the unit won't re-ignite, you may have problems with the wiring or connectors.</p>

SYMPTOM	POSSIBLE CAUSES	CORRECTIVE ACTION
3. Pilot burning, no gas burner, valve knob "ON", wall switch "ON", "ON-OFF-RS" Switch in "RS" position.	<p>A. Wall switch or wires defective.</p> <p>B. Thermogenerator may not be generating sufficient millivoltage.</p> <p>C. Plugged burner orifice.</p> <p>D. "ON-OFF-RS" switch on unit defective. (Not gas valve knob.)</p> <p>E. Defective automatic valve.</p>	<p>1. Check wall switch or wires for proper connections. Place jumper wires across terminals at wall switch – if burner comes on, replace defective wall switch. Of OK, place jumper wires across wall switch wires at gas valve – if burner comes on, wires are faulty or connections are bad.</p> <p>1. Recheck symptom #2.</p> <p>1. Check burner orifice for stoppage and remove.</p> <p>1. Follow correction action in A.1. above for "ON-OFF-RS" switch. Check switch and wiring. Replace where defective.</p> <p>1. Replace automatic valve.</p>

5-2. G36DVadi with direct Ignition.

WARNING: All repairs of burner equipped with ADI system should be performed by an approved electrician or a person familiar with troubleshooting of electrical equipment. CAUTION: High Voltage.

SYMPTOM	POSSIBLE CAUSES	CORRECTIVE ACTION
1. Ignitor does not glow. If installed; wall switch "ON", wireless remote switch "ON", ADI power plug in the 120 VAC receptacle.	<p>A. Broken ignitor.</p> <p>B. Loose connection between ignitor plug and adi socket.</p> <p>C. Defective high temperature limit switch, limit switch wires, wall switch, wall switch wires, wireless remote switch.</p>	<p>1. Check ignitor and replace if necessary. See Fig. 20.</p> <p>1. Check if ignitor is properly plugged in.</p> <p>1. Disconnect two (2) red wires from the high temperature limit switch and switch circuit. Connect them together. If ignitor glows, connect red wires to high temperature limit switch wires (from the appliance box).</p> <p>2. If ignitor does not glow, defective high temperature limit switch or limit switch wires, distributor/ manufacture assistance is required.</p> <p>3. If ignitor glows, disconnect limit switch and connect wall or wireless remote switch. If ignitor does not glow, defective switch or wires.</p>
2. No gas to the burner, yet ignitor glows.	<p>A. Main shutoff valve closed.</p> <p>B. Loose valve/wire connector.</p> <p>C. Defective coils</p>	<p>1. Make sure the shutoff valve located on the pipe supplying gas to the burner is open.</p> <p>1. Check if all four (4) valve wire connectors are properly inserted into gas valve coil sockets.</p> <p>1. Replace coils</p>
3. Burner briefly "ON".	<p>A. Ignitor shield is not grounded.</p> <p>B. Reversed "hot" and "neutral" wires in the appliance junction box.</p>	<p>1. Using Ohmmeter, check resistance between ignitor shield and ADI box, it should be less than .5 (OHM).</p> <p>1. See Fig. 20 for proper polarity, check polarity with voltmeter, if polarity is reversed, correct the problem.</p>

6. REPLACEMENT PARTS

Contact the factory for questions concerning prices and policies covering replacement parts. Parts will be shipped at prevailing prices. Normally, all parts can be ordered through your Majestic distributor or dealer.

When ordering repair parts, always give the following information:

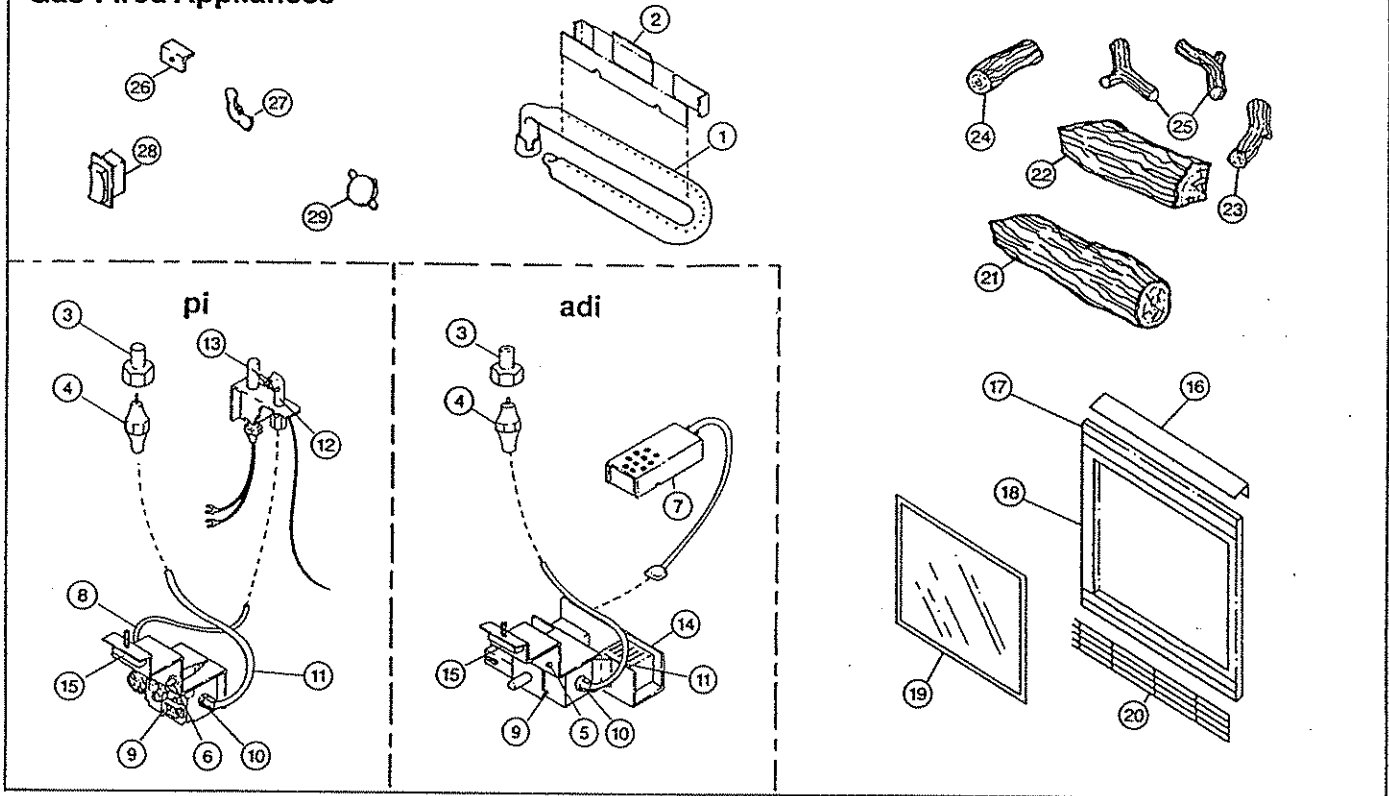
1. The model number and serial number of the appliance.
2. The part number.
3. The description of the part.
4. The installation date of the appliance.

Should you need additional information, beyond what the dealer can furnish, contact Majestic, Huntington, Indiana 46750. Attention: Director of Customer Service.

REPAIR PARTS MANUAL

G36DVadi/pi/adiLP/piLP SERIES

Gas-Fired Appliances



Majestic reserves the right to make changes at any time, without notice, in design, materials, specifications, prices and also to discontinue colors and products.

G36DVadi/pi/adiLP/piLP SERIES GAS-FIRED APPLIANCES

Item/Model Number	Part Number
1. BURNER WITH TUBE ASS'Y	75-40-431
2. BURNER DEFLECTOR WELD ASS'Y	53-70-130
3. BURNER ORIFICE NAT. LP	75-35-130 75-35-131
4. 3/8" MALE CONNECTOR	75-23-137
5. INDICATOR LIGHT ASS'Y — G36DVadi	39-94-115
6. IGNITOR — G36DVpi	75-92-101
7. IGNITOR & CONNECTOR ASS'Y — G36DVadi	75-92-105
8. 1/4" PILOT GAS TUBE	75-49-135
9. GAS VALVE G36DVpi — NAT. G36DVadi — NAT. G36DVpi — LP G36DVadi — LP	75-29-109 75-29-116 75-29-110 75-29-117
10. 3/8" FITTING	75-23-133
11. 3/8" BURNER GAS TUBE	75-34-247
12. PILOT ASS'Y NAT. (WITH ELECTRODE) — G36DVpi LP (WITH ELECTRODE) — G36DVpiLP	75-31-117 75-31-118

G36DVadi/pi/adiLP/piLP SERIES GAS-FIRED APPLIANCES (CONTINUED)

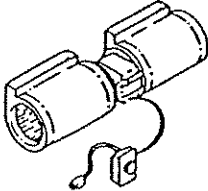
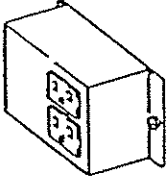
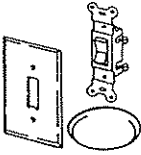
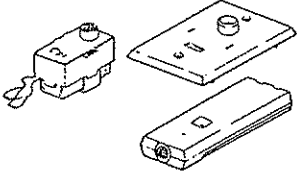
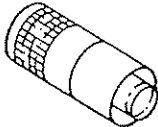
Item/Model Number	Part Number
13. THERMOGENERATOR ASS'Y — G36DVpi	39-57-282
14. ADI SYSTEM ASS'Y — G36DVadi	48-30-100
15. MICROSWITCH	75-40-214
16. HOOD	39-57-551
17. TRIM STRIPS	75-40-209
18. DECORATIVE FRONT	39-57-230
19. GLASS ASSEMBLY	39-57-306
20. LOUVER WELD ASS'Y PAINTED	53-70-132
21. FRONT LOG	72-11-102
22. REAR LOG	70-62-109
23. RIGHT LOG	70-60-150
24. LEFT LOG	70-60-124
25. MIDDLE LOG (2)	70-60-122
26. GLASS RETAINER ASS'Y.*	39-57-542
27. WING NUTS*	75-11-154
28. ON-OFF-RS SWITCH	75-22-355
29. THERMAL DISK	75-40-218

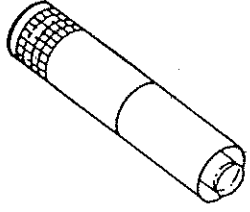
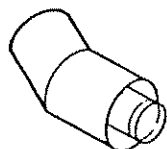
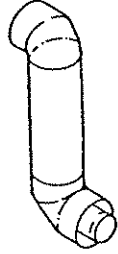
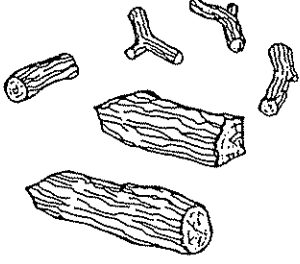
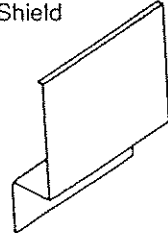
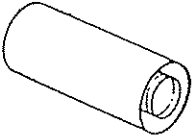
* Ten (10) Per Fireplace

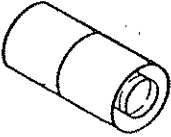
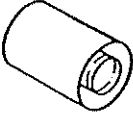
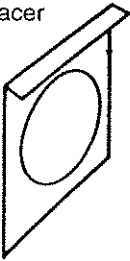
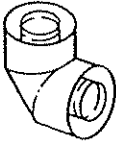
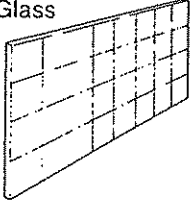
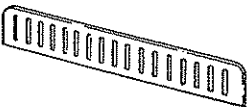
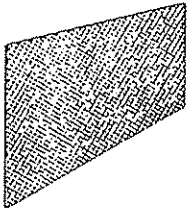
7. ACCESSORY PARTS

The following accessories are available from your MAJESTIC Dealer. The Vent Kits and fans have their own installation instructions packaged with the unit. Should you need additional information beyond what your dealer can furnish, contact Majestic, Huntington, Indiana 46750, Attention: Director of Customer Service.

CAUTION: This appliance and chimney assembly is a highly engineered system, and, as such, must be operated only with MAJESTIC approved components that have been designed as parts of the system. If you use an unapproved component or make any modifications, you may create a possible fire hazard and will void the Majestic warranty. In addition, such action may void the coverage provided by the owner's home insurance.

Accessory	Description	Model No.
<p data-bbox="170 457 285 485">Blower Kit</p> 	<p data-bbox="674 583 1067 638">Designed for the appliance to provide forced air flow.</p>	<p data-bbox="1199 596 1252 623">GFK</p>
<p data-bbox="170 793 417 821">Electrical Junction Box</p> 	<p data-bbox="674 856 1067 974">Used to provide 115 VAC electricity to DVFK blower. This accessory MUST be installed before the fireplace is installed.</p>	<p data-bbox="1199 905 1252 932">GJB</p>
<p data-bbox="170 1073 459 1100">Wired Remote Wall Switch</p> 	<p data-bbox="674 1205 882 1232">Remote wall switch.</p>	<p data-bbox="1199 1205 1278 1232">GWSK</p>
<p data-bbox="170 1409 442 1436">Wireless Remote Control</p> 	<p data-bbox="674 1541 1025 1596">Remote operation with hand held transmitter.</p>	<p data-bbox="1199 1541 1384 1596">SRC (Easy Flame®)</p>
<p data-bbox="170 1766 348 1793">Straight Vent Kit</p> 	<p data-bbox="674 1829 1014 1946">Vent kit used on wall thickness installations of 4" to 13". (Wall thickness of 13" to 24" must use DVK-02.)</p>	<p data-bbox="1199 1871 1285 1898">DVK-01</p>

Accessory	Description	Model No.
<p data-bbox="85 126 289 178">Extended Straight Out Vent Kit</p> 	<p data-bbox="520 241 982 304">Vent kit used with straight out going through wall 13" to 24".</p>	<p data-bbox="1156 241 1247 273">DVK-02</p>
<p data-bbox="85 430 264 462">Corner Vent Kit</p> 	<p data-bbox="520 556 933 619">45° elbow system to allow for a corner application.</p>	<p data-bbox="1156 556 1247 588">DVK-03</p>
<p data-bbox="85 745 289 777">Elevated Vent Kit</p> 	<p data-bbox="520 871 1015 934">Allows for basement application – provides for a maximum 3 foot rise from the flue outlet.</p>	<p data-bbox="1156 871 1247 903">DVK-04</p>
<p data-bbox="85 1092 189 1123">Log Set</p> 	<p data-bbox="536 1239 908 1270">Natural appearing ceramic logs (4).</p>	<p data-bbox="1164 1239 1263 1270">LS36DV</p>
<p data-bbox="85 1438 256 1470">Siding Shield</p> 	<p data-bbox="536 1554 900 1585">Vinyl and Aluminum Siding Shield.</p>	<p data-bbox="1172 1554 1247 1585">DVSS</p>
<p data-bbox="85 1722 322 1753">3 Foot Pipe Section</p> 	<p data-bbox="536 1837 982 1900">Vent pipe for installations with up to 20 ft. of rise and 24 ft. of run.</p>	<p data-bbox="1172 1837 1230 1869">DV3</p>

Accessory	Description	Model No.
<p>17 to 24 Inches Telescoping Pipe Section</p> 	<p>Vent pipe for installations with up to 20 ft. of rise and 24 ft of run.</p>	<p>DV17-24</p>
<p>One Foot Pipe Section</p> 	<p>Vent pipe for installations with up to 20 ft. of rise and 24 ft. of run.</p>	<p>DV1</p>
<p>Firestop Spacer</p> 	<p>Combination firestop spacer and support for extended installations.</p>	<p>DVFSS</p>
<p>90° Elbow</p> 	<p>90° elbow for extended installations.</p>	<p>DV90</p>
<p>High Temperature Silicone</p>	<p>Used to seal joints of vent pipe and terminator (12 tubes per case.)</p>	<p>HTS/12</p>
<p>Beveled Glass Door Kit</p> 	<p>Optional Glass Door Panel — 32 Pane.</p>	<p>BG36DV</p>
<p>Ornamental Grate</p> 	<p>Simulated grate front.</p>	<p>OG36DV</p>
<p>Mesh Screen</p> 	<p>Decorative screen mesh.</p>	<p>S36DV</p>

THE FOLLOWING WARNING APPLIES TO INSTALLATIONS USING L.P. (PROPANE) GAS:

WARNING

To avoid possible injury, fire and explosion, please read and follow these precautions and all instructions on this appliance before lighting the pilot. This appliance uses L.P. (Propane) gas which is heavier than air and will remain at floor level if there is a leak. Before lighting, sniff at floor level. If you smell gas, follow these rules:

1. Get all people out of building.
2. DO NOT light matches. DO NOT turn electric lights or switches on or off in the area. DO NOT use an electric fan to remove gas from area. DO NOT use telephone inside of building.
3. Shut off gas at L.P. tank outside of building.
4. Telephone gas company and fire department from a neighbor's phone. Ask for instructions.

Before hanging up, give your name, address and phone number. DO NOT go back into building.

If your L.P. tank runs out of fuel, turn off gas at the appliance. After L.P. tank is refilled, appliance must be re-lit according to manufacturer's instructions. If the gas control has been exposed to WATER in any way, DO NOT try to use it. It must be replaced. DO NOT attempt repair on gas control or appliance.

Tampering is DANGEROUS and voids all warranties.

WARRANTY/REGISTRATION CARD

Your Gas Appliance is covered by a one (1) year limited warranty. Please read the warranty to be familiar with its valuable coverage and file it with others you save for future reference.

**MAJESTIC**

A Division of Majco Building Specialties, L.P.

Huntington, IN 46750-2579 (219) 356-8000

