



Dishwashers

Safety Instructions 2-5

Operating Instructions

Care and Cleaning14
Control Panels8
Control Settings 6-7
Dial Cycles9
Flashing Display Lights10
Loading the
Dishwasher Racks12
Loading Place Settings13
Optional Accessories14
Using the Dishwasher10, 11

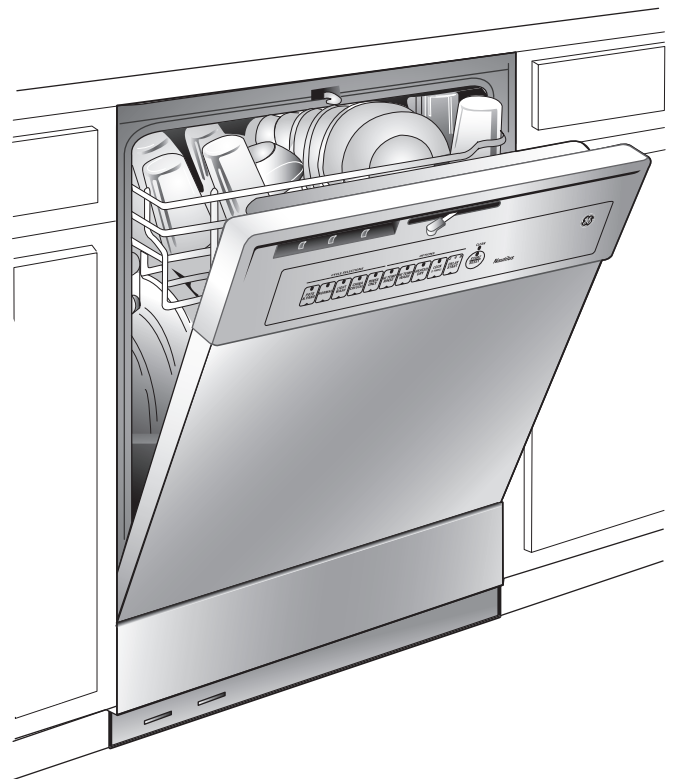
Troubleshooting Tips ... 15, 16

Consumer Support

Consumer Support 18
Warranty 17

Owner's Manual

Standard Tub
Dishwashers



Write the model and serial numbers here:

Model # _____

Serial # _____

You can find them on a label on the tub wall just inside the door.

IMPORTANT SAFETY INFORMATION

READ ALL INSTRUCTIONS BEFORE USING—

SAVE THESE INSTRUCTIONS

⚠ WARNING!

For your safety, the information in this manual must be followed to minimize the risk of fire, explosion, electric shock, and to prevent property damage, personal injury, or death.



⚠ WARNING! WATER HEATER SAFETY

Under certain conditions, hydrogen gas may be produced in a water heater that has not been used for two or more weeks. **HYDROGEN GAS IS EXPLOSIVE.**

If the hot water has not been used for two or more weeks, prevent the possibility of damage or injury by turning on all hot water faucets and allow them to run for several minutes. Do this before using any electrical appliance connected to the hot water system. This simple procedure will allow any built-up hydrogen gas to escape. Since the gas is flammable, do not smoke, use an open flame, or use the appliance during this process.



PROPER INSTALLATION AND MAINTENANCE



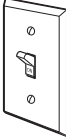
This dishwasher must be properly installed and located in accordance with the Installation Instructions before it is used. If you did not receive an Installation Instructions sheet with your dishwasher, you can receive one by visiting our website at GEAppliances.com.

- Connect the dishwasher/appliance to a grounded metal, permanent wiring system; or run an equipment-grounding conductor with the circuit conductors and connect to the equipment-grounding terminal or lead of the appliance.
- Improper connection of the equipment-grounding conductor can result in a risk of electric shock. Check with a qualified electrician or service representative if you are in doubt whether the appliance is properly grounded.
- Dispose of discarded appliances and shipping or packing material properly.
- Do not attempt to repair or replace any part of your dishwasher unless it is specifically recommended in this manual. All other servicing should be referred to a qualified technician.
- To minimize the possibility of electric shock, disconnect this appliance from the power supply before attempting any maintenance.

NOTE: Turning the dishwasher off does not disconnect the appliance from the power supply. We recommend having a qualified technician service your appliance.



⚠ CAUTION: To prevent minor injury and property damage

- Contents washed in Anti-bacterial mode, if available, may be hot to the touch. Use care before handling.
- Using a detergent that is not specifically designed for dishwashers will cause the dishwasher to fill with suds.  = 
- If your dishwasher is connected to a wall switch, ensure that the switch is on prior to use. 
- On dishwashers with electronic controls, if you choose to turn the wall switch off between wash cycles, allow 5-10 seconds after turning the switch on before touching START/RESET to allow the control to initialize.
- Non-Dishware Items: Do not wash items such as electronic air cleaner filters, furnace filters and paint brushes in your dishwasher. Damage to the dishwasher and discoloration or staining of the dishwasher may result.
- Close supervision is necessary if this appliance is used by or near children.
- Load light, plastic items so they do not become dislodged and drop to the bottom of the dishwasher—they might come into contact with the heating element and be damaged.

INFORMACIÓN IMPORTANTE DE SEGURIDAD

LEA TODAS LAS INSTRUCCIONES ANTES DE USAR— GUARDE ESTAS INSTRUCCIONES

GEAppliances.com

Safety Instructions

Operating Instructions

Troubleshooting Tips

Consumer Support

⚠ ¡ADVERTENCIA!

Para su seguridad, debe cumplirse con la información de este manual a fin de minimizar el riesgo de incendio o explosión, descarga eléctrica o para prevenir daños a la propiedad, lesiones personales o la muerte.



⚠ ¡ADVERTENCIA! SEGURIDAD DEL CALENTADOR DE AGUA

Bajo ciertas condiciones, puede producirse gas de hidrógeno en un calentador de agua que no se ha usado durante dos semanas o más. **EL GAS DE HIDRÓGENO ES EXPLOSIVO.**

Si el agua caliente no se ha utilizado por dos semanas o más, evite la posibilidad de daños o lesiones abriendo todos los grifos de agua caliente y dejándolos correr durante varios minutos. Haga esto antes de utilizar cualquier aparato eléctrico que se encuentre conectado al sistema de agua caliente. Este simple procedimiento permitirá que se libere cualquier clase de acumulación de gas de hidrógeno. Ya que el gas es inflamable, no fume o utilice una llama abierta o un aparato durante este proceso.



INSTALACIÓN Y MANTENIMIENTO ADECUADOS


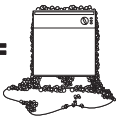
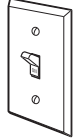
Este lavaplatos debe instalarse de manera adecuada y ubicarse de acuerdo con las Instrucciones de Instalación antes de comenzar el uso. Si usted no ha recibido una página de Instrucciones de instalación con su lavaplatos, puede obtener una visitando nuestro sitio Web en **GEAppliances.com**.

- Conecte el lavaplatos/aparato a un sistema de cableado permanente con conexión a tierra o debe utilizarse un conductor de conexión a tierra del equipamiento con los conductores de circuito, y debe conectarse a la terminal de conexión a tierra o conductor del aparato.
- Una conexión inadecuada del conductor de conexión a tierra de equipo puede provocar un riesgo de descarga eléctrica. Consulte a un electricista calificado o representante de servicio técnico si tiene dudas sobre la correcta conexión a tierra del aparato.
- Elimine los aparatos que no va a utilizar más y el material de empaque o envío como corresponde.
- No intente reparar o cambiar ninguna pieza de su lavaplatos a menos que esté específicamente recomendado en este manual. Cualquier otro servicio debe realizarlo un técnico calificado.
- Para minimizar la posibilidad de una descarga eléctrica, desconecte este aparato de la fuente de energía antes de realizar cualquier clase de mantenimiento.

NOTA: Apagar el lavaplatos no desconecta el aparato del suministro de energía. Recomendamos que un técnico calificado realice el servicio técnico de su aparato.



⚠ PRECAUCIÓN: Para evitar lesiones menores y daños a la propiedad

- Los elementos lavados en el modo anti-bacterial, si se encuentra disponible, pueden quedar calientes al tacto. Tenga cuidado antes de tocarlos.
- Utilizar un detergente no diseñado específicamente para lavaplatos provocará que el aparato se llene de espuma.  = 
- Si su lavaplatos se encuentra conectado a un interruptor de pared, verifique que el interruptor se encuentre encendido antes del uso. 
- En lavaplatos con controles electrónicos, si usted elige apagar el interruptor de pared entre ciclos de lavado, deje pasar 5-10 segundos después de encender el interruptor antes de presionar START/RESET para permitir que el control se inicie.
- Elementos no aptos para lavaplatos: No lave elementos como filtros de limpiadores de aire electrónicos, filtros de hornos y pinceles de pintura en su lavaplatos. Pueden producirse daños en el lavaplatos y decoloración o manchas en el aparato.
- Se requiere una supervisión estricta cuando cualquier aparato es utilizado por niños o en su cercanía.
- Cargue elementos livianos y plásticos de modo que no se desplacen y caigan al fondo del lavaplatos, ya que pueden entrar en contacto con el elemento calentador y dañarse.

IMPORTANT SAFETY INFORMATION

READ ALL INSTRUCTIONS BEFORE USING—

SAVE THESE INSTRUCTIONS

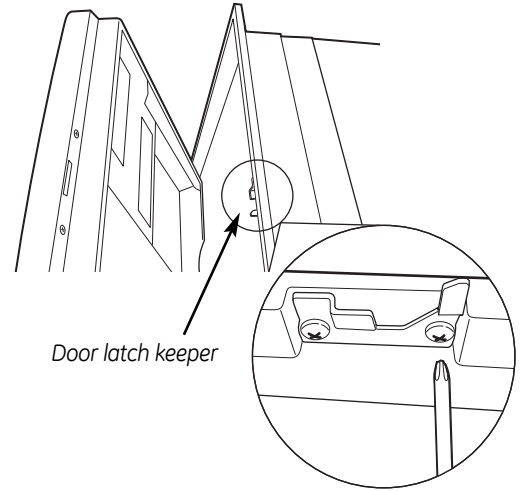
⚠ WARNING! RISK OF CHILD ENTRAPMENT

PROPER DISPOSAL OF THE DISHWASHER

Junked or abandoned dishwashers are dangerous...even if they will sit for “just a few days.” If you are getting rid of your old dishwasher, please follow the instructions below to help prevent accidents.

Before You Throw Away Your Old Dishwasher:

- Take off the door of the washing compartment or remove the door latch keeper (as shown).



⚠ WARNING! When using your dishwasher, follow basic precautions, including the following:

- Use this appliance only for its intended purpose as described in this Owner's Manual.
- Use only powder, tabs, liquid detergents or rinse agents recommended for use in a dishwasher and keep them out of the reach of children. **Cascade®**, **Cascade® Complete** Automatic Dishwashing Detergents, and **Cascade Crystal Clear®** rinse agents have been approved for use in all GE dishwashers.
- Locate sharp items so that they are not likely to damage the door seal.
- Load sharp knives with the handles up to reduce the risk of cut-type injuries.
- Do not wash plastic items unless marked dishwasher safe or the equivalent. For plastic items not so marked, check the manufacturer's recommendations.
- Do not touch the heating element during or immediately after use.
- Do not operate your dishwasher unless all enclosure panels are properly in place.
- Do not tamper with controls.
- Do not abuse, sit on or stand on the door or dish rack of the dishwasher.
- Do not allow children to play around the dishwasher when opening or closing the door due to the possibility of small fingers being pinched in the door.
- Do not discard a dishwasher without first removing the door of the washing compartment or the latch keeper.
- Do not store or use combustible materials, gasoline or other flammable vapors and liquids in the vicinity of this or any other appliance.
- Do not allow children to play with, on or inside this or any discarded appliance.



READ AND FOLLOW THIS SAFETY INFORMATION CAREFULLY.

SAVE THESE INSTRUCTIONS

INFORMACIÓN IMPORTANTE DE SEGURIDAD LEA TODAS LAS INSTRUCCIONES ANTES DE USAR— GUARDE ESTAS INSTRUCCIONES

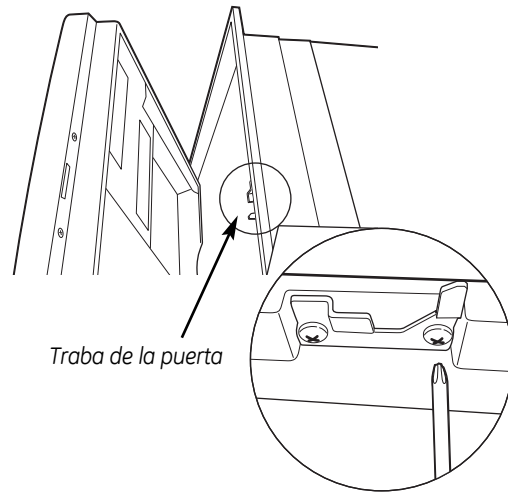
GEAppliances.com

⚠ ¡ADVERTENCIA! RIESGO DE ENCIERRO PARA NIÑOS ELIMINACIÓN CORRECTA DEL LAVAPLATOS

Un lavaplatos desechado o abandonado resulta peligroso...aún si quedará en un lugar por "sólo unos días". Si va a desechar su viejo lavaplatos, siga las siguientes instrucciones para prevenir accidentes.

Antes de desechar su viejo lavaplatos:

- Quite la puerta del compartimento de lavado o saque la traba de la puerta (como puede verse).



⚠ ¡ADVERTENCIA! Cuando use su lavaplatos, siga precauciones básicas de seguridad, incluyendo las siguientes:

- Use este aparato sólo con el objetivo para el que fue creado, como se describe en este Manual del Propietario.
- Utilice sólo detergentes en polvo, líquido o tabletas o agentes de enjuague recomendados para uso en lavaplatos y manténgalos alejados del alcance de los niños. Los detergentes para lavaplatos automáticos **Cascade®**, **Cascade® Complete**, y los agentes de enjuague **Cascade Crystal Clear®** han sido aprobados para el uso en todos los lavaplatos GE.
- Ubique los elementos filosos de modo que no dañen el sellado de la puerta.
- Cargue cuchillos filosos con los mangos hacia arriba para reducir el riesgo de una lesión personal.
- No lave elementos plásticos a menos que estén marcados como aptos para lavaplatos o equivalente. En el caso de elementos plásticos que no estén marcados así, verifique las recomendaciones del fabricante.
- No toque el elemento calentador durante el uso o inmediatamente después de finalizar el uso.
- No haga funcionar el lavaplatos a menos que todos los paneles del recinto se encuentren en su lugar.
- No altere o modifique los controles.
- No maltrate, ni se siente o se pare sobre la puerta o bandejas de los platos del lavaplatos.
- No permita que los niños jueguen alrededor del lavaplatos cuando abra o cierre la puerta debido a la posibilidad de pellizcar sus dedos con la puerta.
- No deseche el lavaplatos sin antes quitar la puerta del compartimento de lavado o la traba de la puerta.
- No almacene o use materiales combustibles, gasolina u otros vapores o líquidos inflamables cerca de este o cualquier otro aparato.
- No permita que los niños jueguen sobre, con o dentro de este o cualquier otro aparato desechado.



LEA Y SIGA ESTA INFORMACIÓN DE SEGURIDAD CUIDADOSAMENTE.

GUARDE ESTAS INSTRUCCIONES

About the dishwasher control panel

Control Settings

1 Cycles

An indicator light above the selected pad will be ON to indicate which **CYCLE** has been selected, on some models.

POTS & PANS/ HEAVY WASH (on some models)	For heavily soiled dishes or cookware with dried-on or baked-on soils. Everyday dishes may be included. This cycle will not remove burned-on foods.
NORMAL/ NORMAL WASH	For loads of everyday dishes, glasses and cookware with medium soils. NOTE: Many dishes have lighter soil than normal. Choosing a cycle other than NORMAL WASH will save energy and water.
SHORT WASH (on some models)	For quickly washing loads of everyday dishes with medium soils that have not dried on, such as loads consisting mostly of glasses.
WATER SAVER LIGHT WASH (on some models)	For dishes with light soils.
RINSE ONLY	For rinsing partial loads that will be washed later. <i>Do not use detergent.</i>
DRYING PLATE WARMER	For warming clean dishes and serving plates. This cycle will take approximately 30 minutes.
HOT PREWASH HOT START	Preheats wash water to the correct temperature.
CHINA CRYSTAL (on some models)	For lightly soiled china and crystal.

2 Options

An indicator light above the selected pad will be ON to indicate which **OPTION** has been selected, on some models.

HI TEMP RINSE (on some models)	Turns on the heater in all final rinse cycles to help prevent spotting on dishware. This option may be turned ON or OFF during the wash cycle.
HI TEMP WASH	Energizes the heater to boost water temperature in prewash and main wash fill cycles. Recommended for use with heavily soiled dishes. Option may be turned ON or OFF during the wash cycle.
HEATED DRY OFF	Shuts off the drying heat option. Dishes air dry naturally and energy is saved. Open the dishwasher door to speed drying.
HEATED DRY ON	Turns the heater on for fast drying. This cycle will extend the time to your wash cycle by 30 minutes. DO NOT use with RINSE ONLY cycle.
LOCK (electronic models only)	When the LOCK pad is touched twice within 3 seconds, all pads become inoperative. <i>You can lock the controls to prevent any selections from being made. Or you can lock the controls after you have started a cycle or selected DELAY START so the cycle or DELAY START is not interrupted.</i> <i>Children cannot accidentally start dishwasher by touching pads with this option selected.</i> To unlock the dishwasher after it has been locked, touch the LOCK pad twice within 3 seconds. The light above the LOCK pad will turn off.
DELAY HOURS (on some models)	Delays the start of a wash cycle for up to 8 hours.
RESET (timer models)	Touch RESET to cancel options.
START/RESET to (electronic models)	Touch START/RESET one time to start dishwasher cycle. Touch START/RESET a second time to pump out and then turn off the dishwasher. Do not touch START/RESET more than one time unless you intend to end the cycle.

Control Settings

Cycle Chart

Models	Cycle	Water Usage (gal.)	Cycle Time (min.)
Timer Models	Hot Start Option ¹	2.5	10
	Heavy Wash	6.0 - 7.0	120
	Pots & Pans	6.0 - 7.0	118
	Normal Wash*	4.8 - 5.6	110
	Light Wash/Water Saver	3.9 - 4.5	114
	Rinse Only	2.2	58
	Plate Warmer/Drying	0.0	45
Electronic Models	Pots & Pans	8.8	112
	Heavy Wash	7.5	108
	Normal Wash	4.8	95
	China/Crystal	6.3	80
	Rinse Only	1.3	5

¹Hot Start Option adds water amount and cycle time shown when selected.

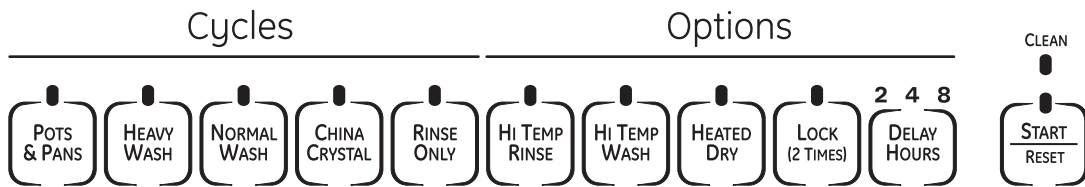
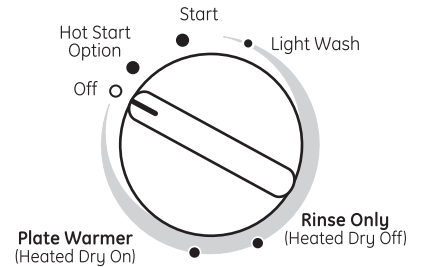
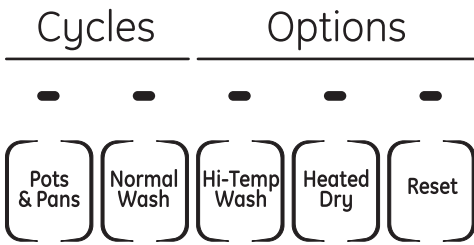
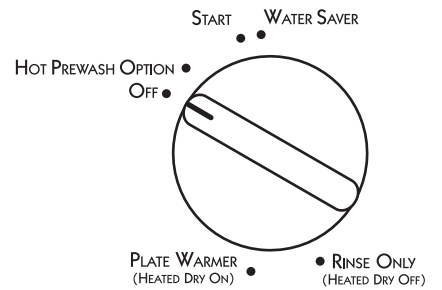
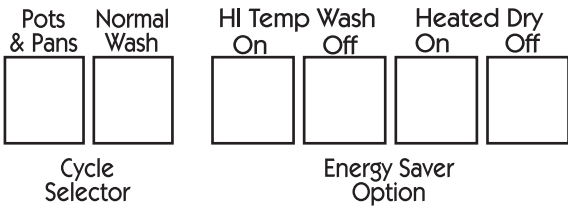
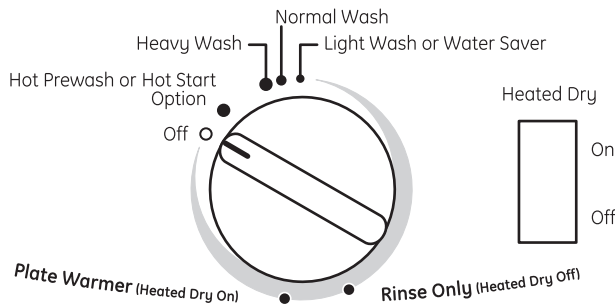
*Normal Wash button should be pushed to run this cycle.

NOTE: Not all models have every cycle listed.

About the dishwasher control panel

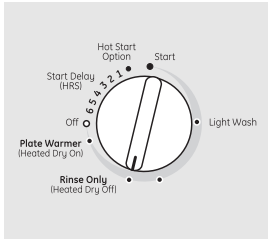
You can locate your model number on the left tub wall just inside the door. Throughout this manual, features and appearance may vary from your model.

Please match the control panel for your unit to a similar control panel below.



Rinse Only

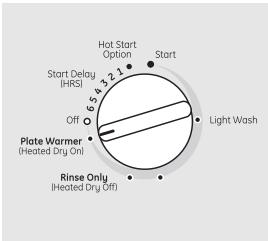
For rinsing partial loads that will be washed later. *Do not use detergent.*



- 1 Make sure **HEATED DRY** is not selected.
- 2 Be sure the door is unlatched.
- 3 Slowly turn the Dial to **RINSE ONLY**.
- 4 Latch the door to start the cycle.

Plate Warmer or Drying

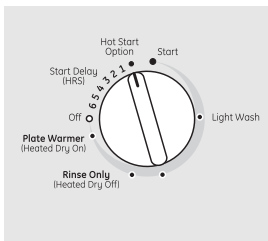
For warming clean dishes and serving plates. This cycle will take approximately 39 minutes.



- 1 Load clean dishware to be warmed.
- 2 Select **HEATED DRY ON**.
- 3 Be sure the door is unlatched.
- 4 Slowly turn the Dial to **PLATE WARMER** or **DRYING**.
- 5 Latch the door to start the cycle.

Hot Start or Hot Prestart Option

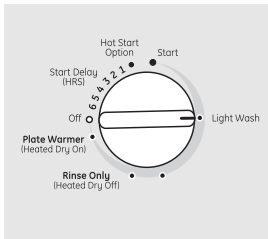
Preheats wash water.



- 1 Select the **HOT START** or **HOT PRESTART** cycle and any other option on the push button pad.
- 2 Be sure the door is unlatched.
- 3 Slowly turn the Dial to **HOT START** or **HOT PRESTART**.
- 4 Latch the door to start the cycle.

Short Wash or Light Wash or Water Saver

For quickly washing loads of everyday dishes with light to medium soils that have not dried on.



- 1 Be sure the door is unlatched.
- 2 Slowly turn the Dial to **SHORT WASH**, **LIGHT WASH** or **WATER SAVER**.
- 3 Latch the door to start the cycle.

Start (Models with a Dial)

Slowly turn the Dial to the **START** or **ON** position, or the selected cycle. Don't turn it past the **START**, **ON** or cycle position; you could accidentally miss a prewash.

There is a time delay between start-up and water fill so you will not hear any wash action right away.

- Latch the door to begin the cycle.

Operation of electronic models (model GSD4000 Only)

Using the Dishwasher Door

- 1 The door must be closed and locked into place to select a **LOAD SELECTION** or an **OPTION**.
- 2 If the door is opened during a cycle and left open, *the dishwasher will beep once every 30 seconds* until the door is closed and latched into place.

Start

Close and latch the door. Touch the **START/RESET** pad to begin the cycle. Water fill begins and approximately 60 seconds later the wash action begins.

NOTE: The dishwasher remembers your last cycle so you don't have to reprogram each time. When the dishwasher is loaded and the door latch is in the locked position, the control panel lights will be **ON** and display the last settings you selected.




If you don't want to change any of the settings, simply touch the **START/RESET** pad to begin the cycle.

Also, if a power failure occurs, **NORMAL** and **HEATED DRY** will automatically be programmed. Make any new selections and touch the **START/RESET** pad to begin the cycle.

Clean

This light is illuminated when a wash cycle is complete. The light will stay **ON** until the door is opened.

Flashing Display Lights

Lights	What It Means	What To Do
	This is normal. The START/RESET pad has been pressed.	Allow the dishwasher to drain and reset before you start a new wash cycle.
 PLUS A BEEPING SOUND	Control Error	Press the START/RESET pad to turn off the beeper. If the CLEAN light continues to flash, call for service.
 PLUS A BEEPING SOUND	Control Error	Press the START/RESET pad to turn off the beeper and the dishwasher will attempt to reset. Restart the wash cycle. If this error continues, turn off the power to the dishwasher at the circuit breaker for 30 seconds. Try the dishwasher again. If the error is still present, call for service.



Check the Water Temperature

The entering water must be at least 120°F and not more than 150°F, for effective cleaning and to prevent dish damage. Check the water temperature with a candy or meat thermometer. Turn on the hot water faucet nearest the dishwasher, place the thermometer in a glass and let the water

run continuously into the glass until the temperature stops rising.

Adjust the maximum/minimum temperature of the water heater if necessary to deliver water at the proper temperature.



Use Cascade Crystal Clear® Rinse Agent

Cascade Crystal Clear® rinse agents remove spots and prevent new film buildup on dishes, glasses, flatware, cookware and plastic.

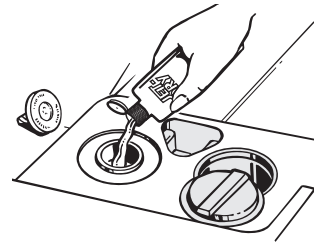
Filling the Dispenser

Fill the rinse agent dispenser until it reaches the bottom of lip inside the opening. Replace cap.

To check if rinse agent is needed, remove the cap and look into the dispenser.

A full dispenser should last about one month.

If the rinse agent spills, wipe up the excess.



Proper Use of Detergent

Use only detergent specifically made for use in dishwashers. **Cascade®** Automatic Dishwashing Detergents have been approved for use in all GE dishwashers. Keep your detergent fresh and dry. Don't put powder detergent into the dispenser until you're ready to wash dishes.

The amount of detergent to use depends on whether your water is *hard* or *soft*. With hard water, you need extra detergent. With soft water, you need less detergent.

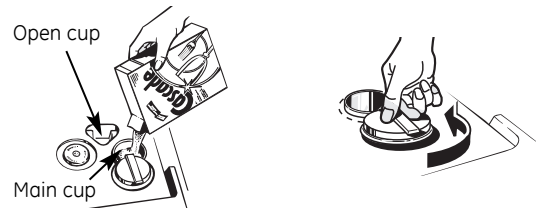
Protect your dishes and dishwasher by contacting your water department and asking how hard your water is. Twelve or more grains is extremely hard water. A water softener is recommended. Without it, lime can build up in the water valve, which could stick while open and cause flooding. Too much detergent with soft water can cause a permanent cloudiness of glassware, called *etching*.

Use the information in the table below as a guideline to determine the amount of automatic dishwasher detergent to place in the dispenser.

Number of Grains	Detergent Cups to Fill
Less than 4	Fill to 1/3 of main cup
4 to 8	Fill to 2/3 of main cup
8 to 12	Fill main cup
Greater than 12	Fill main cup and open cup

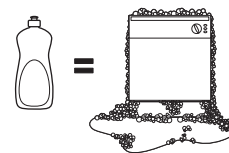
You'll find two detergent dispensers on the inside door of your dishwasher. All wash cycles require detergent in the main cup. When using automatic dishwashing detergent tabs, simply place one tab in the main cup and close.

Be sure the Dial is **OFF** before adding detergent. Otherwise, the detergent cup will not close and latch properly. Add detergent then close the main cup.



NOTE: To open detergent cup after it has been closed, simply turn the detergent cup handle counterclockwise until it releases. A snapping sound may be heard.

DO NOT USE HAND DISH DETERGENT



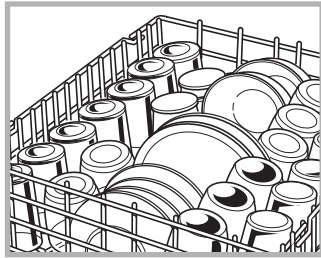
NOTE: Using a detergent that is not specifically designed for dishwashers will cause the dishwasher to fill with suds. During operation, these suds will spill out of the dishwasher vents, covering the kitchen floor and making the floor wet.

Because so many detergent containers look alike, store the dishwasher detergent in a separate space from all other cleaners. Show anyone who may use the dishwasher the correct detergent and where it is stored.

While there will be no lasting damage to the dishwasher, your dishes will not get clean using a dishwashing detergent that is not formulated to work with dishwashers.

Loading the dishwasher racks

For best dishwashing results, follow these loading guidelines. Features and appearance of racks and silverware baskets may vary from your model.

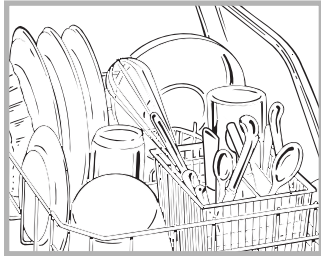


Upper Rack

The upper rack is for glasses, cups and saucers. Cups and glasses fit best along the sides. This is also a secure place for dishwasher-safe plastics. The upper rack is good for all kinds of odd-shaped utensils. Saucepans, mixing bowls and other items should be placed face down.

Secure larger dishwasher-safe plastics over two fingers when possible.

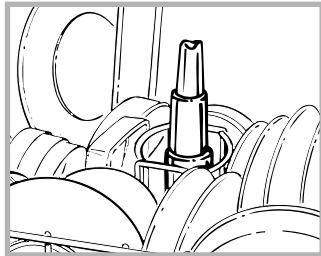
Make sure small plastic items are secure so they can't fall onto the heating element.



Lower Rack

When loading the lower rack, do not load large platters or trays in the front right corner. They may prevent detergent from circulating during the wash cycle.

The lower rack is best used for plates, saucers and cookware. Large items such as broiler pans and racks should go along the sides. Load platters, pots and bowls along the sides, in corners or in the back. The soiled side of items should face the center of the rack.



Wash Tower

Keep the center area clear in the lower rack.

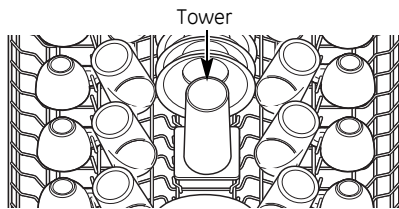
The wash tower rises through the center of the lower rack during the wash and rinse portions of the cycle.



Don't block the wash tower or load tall things next to it.

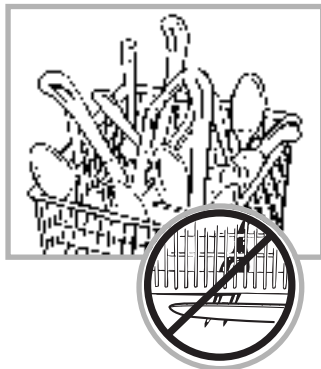
Be sure items don't fall through rack and block rotation of the spray arm.

Also, be careful not to let a portion of an item such as a pot or dish handle extend through the bottom rack. This could block the wash arm and cause poor washing results.



Do not cover upper rack tower (not present on all models)

Don't block the upper rack wash tower.



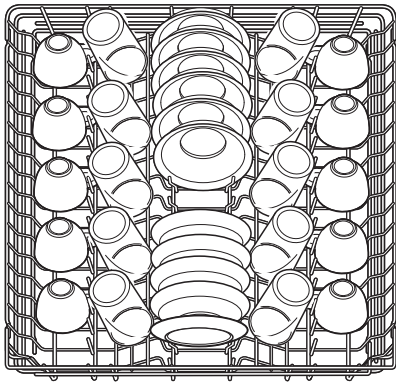
Silverware Basket

Put flatware in the removable basket with fork and knife handles up to protect your hands. Place spoons in the basket with handles down. Mix knives, forks and spoons so they don't nest together. Distribute evenly. Small plastic items, such as measuring spoons and lids from small containers, should go in the bottom of the silverware basket with silverware on top.

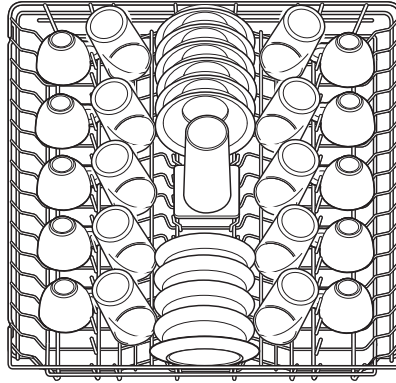
DON'T LET ANY ITEM EXTEND THROUGH BOTTOM OF SILVERWARE BASKET AND RACK, TO ENSURE PROPER FUNCTION OF SPRAY ARM.

Loading place settings...

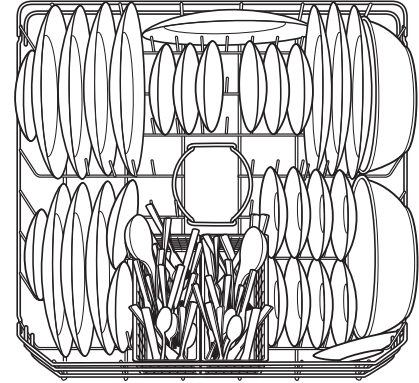
Follow these guidelines for loading 10 place settings. Features and appearance of racks and silverware baskets may vary from your model.



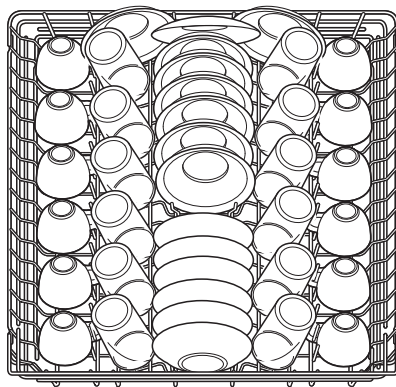
Upper Rack—10 place settings



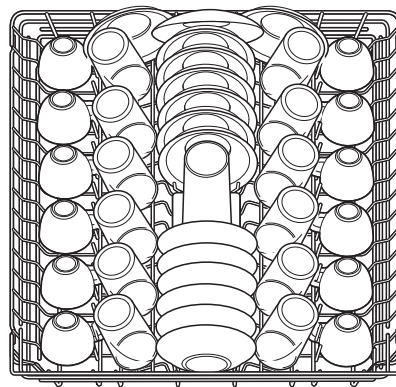
Upper Rack—10 place settings



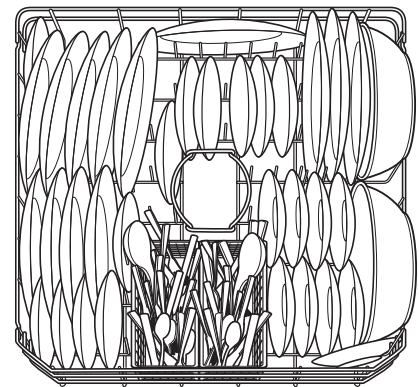
Lower Rack—10 place settings



Upper Rack—12 place settings



Upper Rack—12 place settings



Lower Rack—12 place settings

Forget to Add a Dish?

A forgotten dish can be added any time before the main wash.

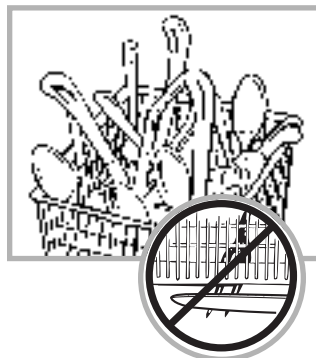
- 1 Push the door latch to the left.
- 2 Once the water calms, open the door. Steam may rise out of the dishwasher.
- 3 Add forgotten dish.
- 4 Close the door and push the latch to the far right.

Tips for Loading and Good Wash Performance

- Don't block the lower rack wash tower.

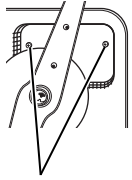


- Don't let items fall through rack and block spray arms.



Caring for the dishwasher

To clean the control panel, use a lightly dampened cloth, then dry thoroughly. To clean the exterior, use a good appliance polish. Never use sharp objects, scouring pads or harsh cleaners on any part of the dishwasher.

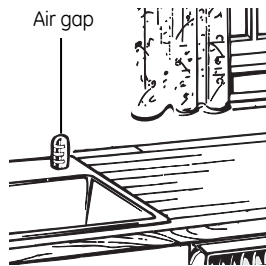


Sump cover screws

Protect Against Freezing

If your dishwasher is left in an unheated place during the winter, ask a service technician to:

- 1 Cut off electrical power to the dishwasher. Remove fuses or trip circuit breaker.
- 2 Turn off the water supply and disconnect the water inlet line from the water valve.
- 3 Drain water from the inlet line and water valve. (Use a pan to catch the water.)
- 4 Reconnect the water inlet line to the water valve.
- 5 Remove the plastic sump cover in the tub bottom and use a sponge to soak up water in the rubber boot.



Check the air gap any time your dishwasher isn't draining well.

Does Your Dishwasher Have an Air Gap?

An air gap protects your dishwasher against water backing up into it if a drain clogs. The air gap is not a part of the dishwasher. It is not covered by your warranty. Not all plumbing codes require air gaps, so you may not have one.

The air gap is easy to clean.

- 1 Turn off the dishwasher and lift off the chrome cover.
- 2 Unscrew the plastic cap and clean with a toothpick.

Stainless Steel Panels

The stainless steel panels can be cleaned with *Stainless Steel Magic* or a similar product using a clean, soft cloth.

You can order *Stainless Steel Magic* #WX10X15 through GE Parts by calling 800.626.2002.

Optional accessories

You can change the appearance of your dishwasher by adding a custom panel trim kit.

1/4" Wood panel trim kit—This accessory contains *trim and instructions* for you to supply and install a 1/4" thick decorative wood door:

- GPF25B (Black) GPF325B/GPF425B
- GPF25W (White) GPF325W/GPF425W
- GPF25C (Bisque) GPF325C/GPF425C

3/4" Trimless wood panel kit—This accessory contains *parts and instructions* for you to supply and install a 3/4" thick decorative wood door:

- GPF375/GPF475

NOTE: The GPF100 dishwasher door spring kit must also be ordered and installed when the door panel weighs four lbs. or more. This kit is included with the 3/4" trim kits.

Non-wood countertop bracket kit—This is for installations which have non-wood countertops and includes side-mounting brackets and instructions for securing the dishwasher:

- GPF65

Consult your GE Appliance dealer to get the correct kit for your model.

These accessories are available at extra cost from GE. Call 800.626.2002 to order, or see your authorized GE Appliance dealer. Visa, MasterCard or Discover cards are accepted. Specify accessory number when ordering.

Before you call for service...



Troubleshooting Tips Save time and money! Review the charts on the following pages, or visit GEAppliances.com. You may not need to call for service.

Problem	Possible Causes	What To Do
Dishwasher won't run	Fuse is blown, or the circuit breaker tripped	<ul style="list-style-type: none"> Replace fuse or reset circuit breaker. Remove any other appliances from the circuit. Try pressing the START/RESET pad (Electronic models) two times.
	Power is turned off	<ul style="list-style-type: none"> In some installations, power to the dishwasher is provided through a wall switch, often located next to the disposer switch. Make sure it is on.
Noise	Some of the sounds you'll hear are normal	<ul style="list-style-type: none"> Soft food disposal shredding action. Drain valve opening to pump water out. Timer control as cycle progresses. Detergent cup opening. The motor stopping during the drying period. Water draining out of tub immediately after touching the START/RESET pad.
	Utensils are not secure in rack or something small has dropped into rack	<ul style="list-style-type: none"> Make sure everything is secured in dishwasher.
	Rattling dishes when the spray arm rotates	<ul style="list-style-type: none"> Make sure dishes are properly loaded. See the <i>Loading the dishwasher racks</i> section.
	Motor hums	<ul style="list-style-type: none"> Dishwasher has not been used on a regular basis. If you do not use your dishwasher often, set it to fill and pump out once every week. This will help keep the seal moist.
Water standing in the bottom of the tub	This is normal	<ul style="list-style-type: none"> A small amount of clean water around the outlet on the tub bottom at the back of the tub keeps the water seal lubricated.
Water won't pump out of the tub	Drain is clogged	<ul style="list-style-type: none"> If you have an air gap, clean it. Check to see if your kitchen sink is draining well. If not, you may need a plumber. If the dishwasher drains into a disposer, run disposer clear.
Suds in the tub	Wrong detergent was used	<ul style="list-style-type: none"> Use only automatic dishwasher detergents to avoid sudsing. Cascade®, Cascade® Complete and Electrasol® Automatic Dishwashing Detergents have been approved for use in all GE dishwashers. To remove suds from the tub, open the dishwasher and let suds dissipate. Add 1 gallon of cold water to the tub. On Models with a Dial: Close and latch the dishwasher. Pump out water by slowly turning the Dial until a drain period is reached. Repeat if necessary. On Models with Electronic Control: Pump out water by pressing the START/RESET pad, then 10 seconds later, press START/RESET pad again. Repeat if necessary.
	Rinse agent was spilled	<ul style="list-style-type: none"> Always wipe up rinse agent spills immediately.
Stained tub interior	Some tomato-based foods can cause reddish stains	<ul style="list-style-type: none"> Use of the RINSE ONLY cycle after adding the dish to the load can decrease the level of staining. GE recommends Cascade® Plastic Booster to help remove these types of stains.
	Tea or coffee stains	<ul style="list-style-type: none"> Remove the stain by hand, using a solution of 1/2 cup bleach and 3 cups warm water.
		<p>⚠ WARNING Before cleaning interior, wait at least 20 minutes after a cycle for the heating elements to cool down. Failure to do so can result in burns.</p> <p>⚠ ADVERTENCIA Antes de limpiar el interior, espere por lo menos 20 minutos después de un ciclo para que los elementos calentadores se enfíen. No hacerlo puede provocar quemaduras.</p>
An overall yellow or brown film can be caused by iron deposits in water		<ul style="list-style-type: none"> A special filter in the water supply line is the only way to correct this problem. Contact a water softener company.
White film on inside surface—hard water minerals		<ul style="list-style-type: none"> GE recommends Cascade Crystal Clear® to help prevent hard water mineral deposits from forming. Run dishwasher with citric acid to remove mineral deposits. Citric acid (Part number: WD35X151) can be ordered through GE Parts. See back cover for ordering information.

Before you call for service...

Safety Instructions

Operating Instructions

Troubleshooting Tips

Consumer Support

Problem	Possible Causes	What To Do
Dishes don't dry	Low inlet water temperature	<ul style="list-style-type: none"> • Make sure inlet water temperature is at least 120°F. • Select HEATED DRY. • Use HOT START and ADDED HEAT options. • Select a higher cycle, such as POTS & PANS or HEAVY WASH.
	Rinse agent dispenser is empty	<ul style="list-style-type: none"> • Check the rinse agent dispenser and fill as required.
Dishes and flatware not clean	Inlet water temperature is below 120°F.	<ul style="list-style-type: none"> • Raise the water heater temperature to 120°F. • Use HOT START, POTS & PANS or HEAVY WASH and HI TEMP WASH.
	Too little detergent	<ul style="list-style-type: none"> • See <i>Using the dishwasher</i> section, refer to <i>Proper Use of Detergent</i> for detergent recommendations.
	Old or damp powdered detergent	<ul style="list-style-type: none"> • See <i>Using the dishwasher</i> section, refer to <i>Proper Use of Detergent</i> for detergent recommendations.
	Water pressure is temporarily low	<ul style="list-style-type: none"> • Turn on a faucet. Is water coming out more slowly than usual? If so, wait until pressure is normal before using your dishwasher.
	Air gap is clogged	<ul style="list-style-type: none"> • Clean the air gap.
	Improper rack loading	<ul style="list-style-type: none"> • Make sure large dishware does not block detergent dispenser or wash arm.
Spots and filming on glasses and flatware	Extremely hard water	<ul style="list-style-type: none"> • Use Cascade Crystal Clear® rinse agents to remove spots and prevent new film buildup. • To remove stubborn spots and pre-existing film from glassware: <ol style="list-style-type: none"> 1 Remove all metal utensils from the dishwasher. 2 Do not add detergent. 3 Select the longest cycle. 4 Start the dishwasher and allow to run for 18 to 22 minutes. Dishwasher will now be in the main wash. 5 Open the door and pour 2 cups (500 ml) of white vinegar into the bottom of the dishwasher. 6 Close the door and allow to complete the cycle. If vinegar rinse doesn't work: Repeat as above, except use 1/4 cup (60 ml) of citric acid crystals instead of vinegar.
	Low inlet water temperature	
	Overloading the dishwasher	
	Improper loading	
	Old or damp powder detergent	
	Rinse agent dispenser empty	
	Too little detergent	
Cloudiness on glassware	Combination of soft water and too much detergent	<ul style="list-style-type: none"> • This is called <i>etching</i> and is permanent. To prevent this from happening, use less detergent if you have soft water. Wash glassware in the shortest cycle that will get it clean.
	Water temperature entering the dishwasher exceeds 150°F.	<ul style="list-style-type: none"> • Lower the water heater temperature.
Detergent cup lid won't latch	Dial is not in the OFF position	<ul style="list-style-type: none"> • Turn the Timer Dial to OFF.
Detergent left in dispenser cups	Dishes are blocking the detergent cups	<ul style="list-style-type: none"> • Reposition the dishes.
Steam	This is normal	<ul style="list-style-type: none"> • Steam comes through the vent by the door latch during drying and when water is being pumped out.
Black or gray marks on dishes	Aluminum utensils have rubbed against dishes	<ul style="list-style-type: none"> • Remove marks with a mild, abrasive cleaner.
Control panel lights go off when you are setting controls	Time too long between touching or selecting pads	<ul style="list-style-type: none"> • Each pad must be touched within 30 seconds of the others. To relight, touch any pad again or unlatch and relatch the door.
Control panel responded to inputs but dishwasher never filled with water	Door latch may not be properly seated	<ul style="list-style-type: none"> • Call for service.

GE Dishwasher Warranty.



All warranty service provided by our Factory Service Centers, or an authorized Customer Care® technician. To schedule service on-line, visit us at GEAppliances.com, or call 800.GE.CARES (800.432.2737) in the United States. In Canada, call 1.800.561.3344. Please have serial number and model number available when calling for service.

Staple your receipt here. Proof of the original purchase date is needed to obtain service under the warranty.

For The Period Of: GE Will Replace:

One Year From the date of the original purchase	Any part of the dishwasher which fails due to a defect in materials or workmanship. During this limited one-year warranty , GE will also provide, free of charge , all labor and in-home service to replace the defective part.
Five Years (only for model numbers beginning with PDW or CDW) From the date of the original purchase	The dishwasher racks and the electronic control module if they should fail due to a defect in materials or workmanship. During this five-year limited warranty , you will be responsible for any labor or in-home service costs.
Lifetime of Product (only for model numbers beginning with PDW or CDW)	The Stainless tub or door liner , if it fails to contain water due to a defect in materials or workmanship. During this limited warranty , GE will also provide, free of charge , all labor and in-home service to replace the defective part.

What GE Will Not Cover (for customers in the United States):

- Service trips to your home to teach you how to use the product.
- Improper installation, delivery or maintenance.
- Failure of the product if it is abused, misused, or used for other than the intended purpose or used commercially.
- Replacement of house fuses or resetting of circuit breakers.
- Product not accessible to provide required service.
- Damage to the product caused by accident, fire, floods or acts of God.
- Incidental or consequential damage caused by possible defects with this appliance.
- Cleaning or servicing of the air gap device in the drain line.
- Damage caused after delivery, including damage from items dropped on the door.

EXCLUSION OF IMPLIED WARRANTIES—Your sole and exclusive remedy is product repair as provided in this Limited Warranty. Any implied warranties, including the implied warranties of merchantability or fitness for a particular purpose, are limited to one year or the shortest period allowed by law.

This warranty is extended to the original purchaser and any succeeding owner for products purchased for home use within the USA. If the product is located in an area where service by a GE Authorized Servicer is not available, you may be responsible for a trip charge or you may be required to bring the product to an Authorized GE Service location for service. Proof of original purchase date is needed to obtain service under the warranty. In Alaska, the warranty excludes the cost of shipping or service calls to your home.

Some states do not allow the exclusion or limitation of incidental or consequential damages. This warranty gives you specific legal rights, and you may also have other rights which vary from state to state. To know what your legal rights are, consult your local or state consumer affairs office or your state's Attorney General.

Warrantor: General Electric Company, Louisville, KY 40225

What Is Not Covered (for customers in Canada):

- Service trips to your home to teach you how to use the product.
- Improper installation.
If you have an installation problem, contact your dealer or installer. You are responsible for providing adequate electrical, exhausting and other connecting facilities.
- Failure of the product if it is abused, misused, or used for other than the intended purpose or used commercially.
- Replacement of house fuses or resetting of circuit breakers.
- Damage to the product caused by accident, fire, floods or acts of God.
- Damage caused after delivery.

EXCLUSION OF IMPLIED WARRANTIES—Your sole and exclusive remedy is product repair as provided in this Limited Warranty. Any implied warranties, including the implied warranties of merchantability or fitness for a particular purpose, are limited to one year or the shortest period allowed by law.

This warranty is extended to the original purchaser and any succeeding owner for products purchased in Canada for home use within Canada. In home warranty service will be provided in areas where it is available and deemed reasonable by Mabe to provide.

WARRANTOR IS NOT RESPONSIBLE FOR CONSEQUENTIAL DAMAGES.

Warrantor: MABE CANADA INC.

Consumer Support.



GE Appliances Website

In the U.S.: **GEAppliances.com**

Have a question or need assistance with your appliance? Try the GE Appliances Website 24 hours a day, any day of the year! For greater convenience and faster service, you can now download Owner's Manuals, order parts or even schedule service on-line. **In Canada: www.GEAppliances.ca**



Schedule Service

In the U.S.: **GEAppliances.com**

Expert GE repair service is only one step away from your door. Get on-line and schedule your service at your convenience any day of the year! Or call 800.GE.CARES (800.432.2737) during normal business hours.

In Canada, call 1.800.561.3344



Real Life Design Studio

In the U.S.: **GEAppliances.com**

GE supports the Universal Design concept—products, services and environments that can be used by people of all ages, sizes and capabilities. We recognize the need to design for a wide range of physical and mental abilities and impairments. For details of GE's Universal Design applications, including kitchen design ideas for people with disabilities, check out our Website today. For the hearing impaired, please call 800.TDD.GEAC (800.833.4322).

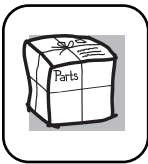
In Canada, contact: Manager, Consumer Relations, Mabe Canada Inc.
Suite 310, 1 Factory Lane
Moncton, N.B. E1C 9M3



Extended Warranties

In the U.S.: **GEAppliances.com**

Purchase a GE extended warranty and learn about special discounts that are available while your warranty is still in effect. You can purchase it on-line anytime, or call 800.626.2224 during normal business hours. GE Consumer Home Services will still be there after your warranty expires. **In Canada, please visit our Website or contact your local extended warranty provider.**



Parts and Accessories

In the U.S.: **GEAppliances.com**

Individuals qualified to service their own appliances can have parts or accessories sent directly to their homes (VISA and MasterCard cards are accepted). Order on-line today, 24 hours every day or by phone at 800.626.2002 during normal business hours.

Instructions contained in this manual cover procedures to be performed by any user. Other servicing generally should be referred to qualified service personnel. Caution must be exercised, since improper servicing may cause unsafe operation.

Customers **in Canada** should consult the yellow pages for the nearest Mabe service center, or call 1.800.661.1616.



Contact Us

In the U.S.: **GEAppliances.com**

If you are not satisfied with the service you receive from GE, contact us on our Website with all the details including your phone number, or write to:

General Manager, Customer Relations
GE Appliances, Appliance Park
Louisville, KY 40225

In Canada: www.GEAppliances.ca, or write to: Director, Consumer Relations, Mabe Canada Inc.
Suite 310, 1 Factory Lane
Moncton, N.B. E1C 9M3



Register Your Appliance

In the U.S.: **GEAppliances.com**

Register your new appliance on-line—at your convenience! Timely product registration will allow for enhanced communication and prompt service under the terms of your warranty, should the need arise. You may also mail in the pre-printed registration card included in the packing material. **In Canada: www.GEAppliances.ca**

Notes.

<i>Safety Instructions</i>	<i>Operating Instructions</i>	<i>Troubleshooting Tips</i>	<i>Consumer Support</i>
----------------------------	-------------------------------	-----------------------------	-------------------------

Consumer Support

Troubleshooting Tips

Operating Instructions

Safety Instructions

Notes.

Notes.

<i>Safety Instructions</i>	<i>Operating Instructions</i>	<i>Troubleshooting Tips</i>	<i>Consumer Support</i>
----------------------------	-------------------------------	-----------------------------	-------------------------

Consumer Support

Troubleshooting Tips

Operating Instructions

Safety Instructions

Notes.

Notes.

<i>Safety Instructions</i>	<i>Operating Instructions</i>	<i>Troubleshooting Tips</i>	<i>Consumer Support</i>
----------------------------	-------------------------------	-----------------------------	-------------------------

Notes.

Safety Instructions

Operating Instructions

Troubleshooting Tips

Consumer Support





Lave-vaisselle

Consignes de sécurité 2, 3

Directives de fonctionnement

Entretien et nettoyage12
Tableau de commande6
Réglage des commandes 4, 5
Programmes du sélecteur7
Voyants clignotants8
Chargement des paniers
du lave-vaisselle10
Chargement de la vaisselle11
Accessoires facultatifs12
Utilisation du lave-vaisselle8, 9

Dépannage 13-15

Service à la clientèle

Service à la clientèle 17
Garantie 16

**Manuel
d'utilisation**

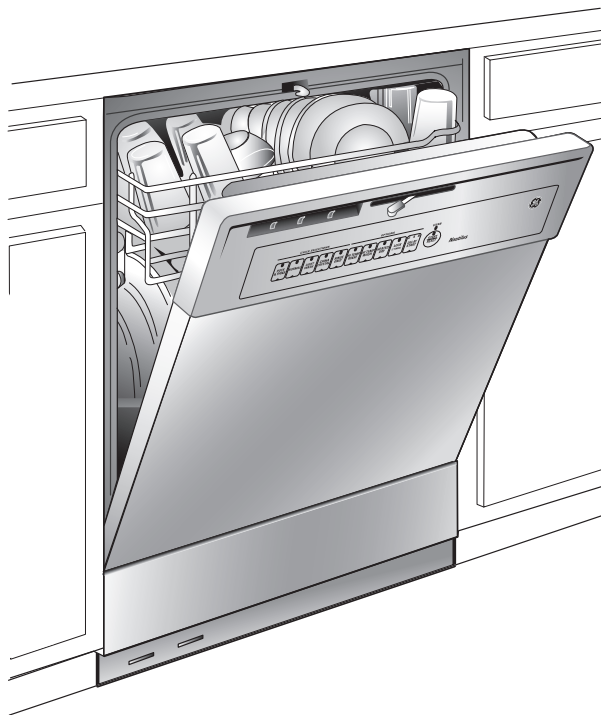
Lave-vaisselle
à cuve standard

**Inscrivez ci-dessous les numéros
de modèle et de série :**

N° de modèle _____

N° de série _____

Ils se trouvent sur une étiquette apposée
sur la paroi de la cuve, à l'intérieur
de la porte.



CONSIGNES DE SÉCURITÉ IMPORTANTE

VEUILLEZ LIRE TOUTES LES CONSIGNES AVANT D'UTILISER L'APPAREIL – CONSERVEZ CES DIRECTIVES

⚠ AVERTISSEMENT!

Pour votre sécurité, veuillez suivre les directives données dans le présent manuel afin de réduire au minimum les risques d'incendie, d'explosion et de chocs électriques et prévenir tout dommage et blessure grave ou mortelle.



⚠ AVERTISSEMENT! SÉCURITÉ DU CHAUFFE-EAU

Dans certaines conditions, il peut se former de l'hydrogène dans un chauffe-eau qui n'a pas été utilisé pendant deux semaines ou plus. **L'HYDROGÈNE EST UN GAZ EXPLOSIF.**

Si vous n'avez pas utilisé votre chauffe-eau pendant deux semaines ou plus, ouvrez tous les robinets d'eau chaude et laissez couler l'eau pendant plusieurs minutes afin de réduire les risques de dommages matériels ou de blessures. Prenez cette précaution avant même d'utiliser un électroménager raccordé au chauffe-eau pour éliminer l'hydrogène qui pourrait s'y être accumulé. Puisqu'il s'agit d'un gaz inflammable, ne fumez pas ou n'utilisez pas une flamme nue ou un électroménager au cours de ce processus.



INSTALLATION ET ENTRETIEN APPROPRIÉS

Ce lave-vaisselle doit être correctement installé, en conformité avec les directives d'installation fournies, avant d'être utilisé. Si vous n'avez pas reçu les directives d'installation avec votre appareil, vous pouvez vous les procurer en visitant notre site Web à l'adresse www.electromenagersge.ca.

- Cet appareil doit être relié à un système de câblage électrique permanent en métal, mis à la terre. Sinon, un fil de mise à la terre pour appareillage doit être installé et raccordé à la borne ou au fil de mise à la terre de l'appareil.
 - Un raccordement incorrect du fil de mise à la terre peut présenter un risque d'électrocution. Consultez un électricien ou un technicien qualifié si vous n'êtes pas certain que l'appareil est correctement mis à la terre.
 - Veuillez vous débarrasser de la façon appropriée de vos vieux électroménagers et des matériaux d'emballage ou d'expédition.
 - Ne tentez pas de réparer ou de remplacer une pièce quelconque de votre lave-vaisselle, à moins que cela ne soit spécifiquement recommandé dans le présent manuel. Confiez toutes les autres réparations à un technicien qualifié.
 - Pour réduire au minimum les risques d'électrocution, débranchez l'appareil de sa source d'alimentation avant d'en effectuer l'entretien.
- Remarque :** Le fait d'arrêter le lave-vaisselle ne coupe l'alimentation électrique de l'appareil. Nous vous recommandons de confier la réparation de votre électroménager à un technicien qualifié.



⚠ ATTENTION : Pour éviter les blessures mineures ou les dommages matériels

- Les articles lavés au mode antibactérien, le cas échéant, peuvent être chauds au toucher. Manipulez-les avec prudence.
- L'utilisation d'un détergent non conçu pour les lave-vaisselle peut provoquer la formation de mousse.
- Si votre lave-vaisselle est branché sur un circuit relié à un interrupteur mural, assurez-vous d'actionner celui-ci avant d'utiliser votre appareil.
- Sur les lave-vaisselle dotés de commandes électroniques, si vous fermez l'interrupteur mural entre les cycles de lavage, attendez de 5 à 10 secondes après avoir ramené l'interrupteur à ON (Marche) avant d'appuyer sur la touche START/RESET (Marche/réinitialisation) pour permettre aux commandes de se réinitialiser.
- Articles autres que la vaisselle : ne lavez pas dans le lave-vaisselle des articles comme des filtres de purificateur d'air, des filtres de systèmes de chauffage ou des pinceaux. Vous pourriez endommager le lave-vaisselle et provoquer une décoloration ou des taches dans l'appareil.
- Une surveillance attentive est nécessaire lorsque cet appareil est utilisé par ou près des enfants.
- Placez les articles légers en plastique de manière qu'ils ne se déplacent pas ou ne tombent pas au fond de l'appareil – ils pourraient entrer en contact avec l'élément chauffant, ce qui pourrait les endommager.

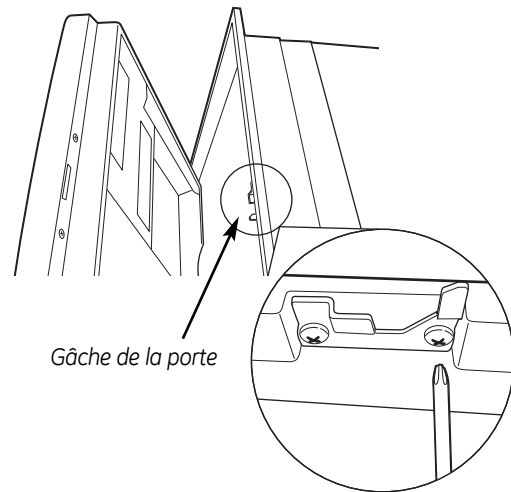


⚠ **AVERTISSEMENT! RISQUE DE SUFFOCATION POUR UN ENFANT COINCÉ À L'INTÉRIEUR DE L'APPAREIL** ÉLIMINATION APPROPRIÉE DU LAVE-VAISSELLE

Les lave-vaisselle jetés ou abandonnés sont dangereux...même si vous ne les laissez là «que pour quelques jours». Si vous voulez jeter votre vieux lave-vaisselle, veuillez suivre les directives ci-dessous pour éviter les accidents.

Avant de jeter votre vieux lave-vaisselle :

- Enlevez la porte de l'appareil ou enlevez la gâche de la porte (comme indiqué dans l'illustration).



⚠ **AVERTISSEMENT!** Lors du fonctionnement de votre lave-vaisselle, prenez les précautions de base, notamment les suivantes :

- N'utilisez cet appareil que pour l'usage pour lequel il a été conçu, comme expliqué dans le présent manuel.
- N'utilisez que des détergents en poudre, en liquide ou en tablettes, ou des produits de rinçage recommandés pour les lave-vaisselle et gardez-les hors de portée des enfants. L'utilisation des détergents pour lave-vaisselle automatiques **Cascade®**, **Cascade® Complete**, et les produits de rinçage **Cascade Crystal Clear®** est approuvée dans tous les lave-vaisselle GE.
- Placez les articles coupants de manière à ce qu'ils n'endommagent pas le joint d'étanchéité de la porte.
- Placez dans le panier à couverts les couteaux tranchants le manche vers le haut afin de réduire les risques de coupures.
- Ne lavez pas les articles en plastique, à moins qu'ils portent la mention «Lavable au lave-vaisselle» ou l'équivalent. Dans le cas des articles en plastique qui ne portent pas cette mention, reportez-vous aux recommandations du fabricant.
- Ne touchez pas à l'élément chauffant pendant ou immédiatement après le fonctionnement de l'appareil.
- Ne faites pas fonctionner le lave-vaisselle si tous les panneaux de la carrosserie n'ont pas été correctement réinstallés.
- Ne modifiez pas le fonctionnement des commandes.
- N'utilisez pas le lave-vaisselle de façon abusive, et ne vous assoyez pas ou ne montez pas sur la porte ou les paniers de l'appareil.
- Ne laissez pas les enfants jouer à proximité du lave-vaisselle lorsque vous ouvrez ou fermez la porte afin d'éviter que leurs petits doigts se coincent dans la porte.
- Ne jetez pas un lave-vaisselle sans d'abord enlever la porte ou la gâche de la porte de l'appareil.
- N'entrez pas ou n'utilisez pas de produits combustibles, d'essence ou autres vapeurs ou liquides inflammables à proximité de votre lave-vaisselle ou de tout autre électroménager.
- Ne laissez pas les enfants jouer avec le lave-vaisselle, ou à l'intérieur de celui-ci ou de tout autre électroménager mis aux rebus.



VEUILLEZ LIRE ET SUIVRE À LA LETTRE CES CONSIGNES DE SÉCURITÉ.

CONSERVEZ CES DIRECTIVES

Tableau de commande du lave-vaisselle

Réglage des commandes

1

Programmes

Sur certains modèles, un voyant s'allume au-dessus de la touche sélectionnée pour indiquer le **PROGRAMME** choisi.

POTS & PANS (casserolles)/ HEAVY WASH (saleté importante) (sur certains modèles)	Ce programme est conçu pour la vaisselle ou les ustensiles de cuisson très sales, sur lesquels des aliments sont séchés ou cuits. Vous pouvez laver en toute sécurité la vaisselle de tous les jours à ce programme. Ce programme ne délogera pas les aliments brûlés.
NORMAL/ NORMAL WASH (saleté normale)	Ce programme est conçu pour laver la vaisselle de tous les jours, les verres et les ustensiles de cuisson moyennement sales. REMARQUE : Plusieurs articles peuvent être moins sales que la normale. En choisissant un autre programme que NORMAL WASH , vous pourrez économiser de l'eau et de l'énergie.
SHORT WASH (lavage court) (sur certains modèles)	Ce programme est conçu pour laver la vaisselle de tous les jours moyennement sale, sur laquelle la saleté saleté n'a pas séché, par exemple un chargement comprenant surtout des verres.
WATER SAVER (économiseur d'eau)/ LIGHT WASH (saleté légère) (sur certains modèles)	Pour la vaisselle peu sale.
RINSE ONLY (rinçage seulement)	Pour rincer les charges partielles que vous désirez laver plus tard. <i>N'utilisez pas de détergent avec ce programme.</i>
DRYING (séchage)/ PLATE WARMER (chauffe-assiettes)	Pour réchauffer la vaisselle propre et les assiettes de service. Ce programme est d'une durée d'environ 30 minutes.
HOT PREWASH (lavage préliminaire à l'eau chaude)/ HOT START (lavage initial à l'eau chaude)	Réchauffe l'eau de lavage afin qu'elle soit à la température appropriée.
CHINA CRYSTAL (cristal et porcelaine) (sur certains modèles)	Pour laver les articles en cristal et en porcelaine légèrement sales.

2

Options

Sur certains modèles, un voyant s'allume au-dessus de la touche sélectionnée pour indiquer l'**OPTION** choisie.

HI TEMP RINSE (rinçage à haute température) (sur certains modèles)	Allume l'élément chauffant lors du rinçage final afin de prévenir la formation de taches sur la vaisselle. Cette option peut être en fonction ou hors fonction pendant le programme de lavage.
HI TEMP WASH (lavage à température élevée)	Allume l'élément chauffant pour augmenter la température de l'eau lors du lavage préliminaire et des programmes de lavage principaux. Cette option est recommandée lorsque la vaisselle est très sale. Cette option peut être en fonction ou hors fonction pendant le programme de lavage.
HEATED DRY OFF (séchage sans chaleur)	Éteint l'élément chauffant lors du séchage. La vaisselle sèche naturellement à l'air pour économiser de l'énergie. Ouvrez la porte du lave-vaisselle pour accélérer le séchage.
HEATED DRY ON (séchage avec chaleur)	Allume l'élément chauffant pour accélérer le séchage. Ce programme allonge la durée du programme de lavage de 30 minutes. N'utilisez PAS cette option avec le programme RINSE ONLY .
LOCK (verrouillage) (sur les modèles électroniques seulement)	Lorsque vous appuyez deux fois en moins de trois secondes sur la touche LOCK , toutes les touches deviennent inopérantes. <i>Vous pouvez verrouiller les commandes afin d'empêcher toute sélection. Vous pouvez également les verrouiller après avoir mis en marche le lave-vaisselle ou sélectionner le programme MISE EN MARCHÉ DIFFÉRÉE afin que le programme ne soit pas interrompu.</i> <i>Lorsque cette option est réglée, les enfants ne peuvent pas mettre en marche accidentellement le lave-vaisselle en appuyant sur les touches.</i> Pour déverrouiller les commandes du lave-vaisselle, appuyez deux fois en moins de trois secondes sur la touche LOCK . Le voyant au-dessus de la touche LOCK s'éteint.
DELAY HOURS (heures d'attente) (sur certains modèles)	Cette option vous permet de retarder d'un maximum de huit heures le début d'un programme de lavage.
RESET (réinitialisation) (sur les modèles dotés d'un sélecteur rotatif)	Appuyez sur la touche RESET pour annuler des options.
START/RESET (marche/réinitialisation) (sur les modèles électroniques)	Appuyez une fois sur la touche START/RESET pour mettre en marche le lave-vaisselle. Appuyez une deuxième fois sur cette touche pour vidanger l'appareil et ensuite éteindre le lave-vaisselle. N'appuyez pas plus d'une fois sur la touche START/RESET , à moins que vous vouliez arrêter le programme en cours.

Réglage des commandes

Tableau des programmes

Modèles	Programme	Consommation d'eau (liters)	Durée (min)
Modèles dotés d'un sélecteur rotatif	Lavage initial à l'eau ¹ chaude	9,4	10
	Saleté importante	22,7 - 26,5	120
	Casseroles	22,7 - 26,5	118
	Saleté normal*	18,2 - 21,2	110
	Saleté légère/ Économiseur d'eau	14,8 - 17,0	114
	Rinçage seulement	8,3	58
	Chauffe-assiettes/ Séchage	0,0	45
Modèles électroniques	Casseroles	33,3	112
	Saleté importante	28,4	108
	Saleté normal	18,2	95
	Cristal et porcelaine	23,8	80
	Rinçage seulement	4,9	5

¹Lorsque vous choisissez l'option HOT START, vous augmentez la quantité d'eau consommée et la durée du programme indiquées ci-dessus.

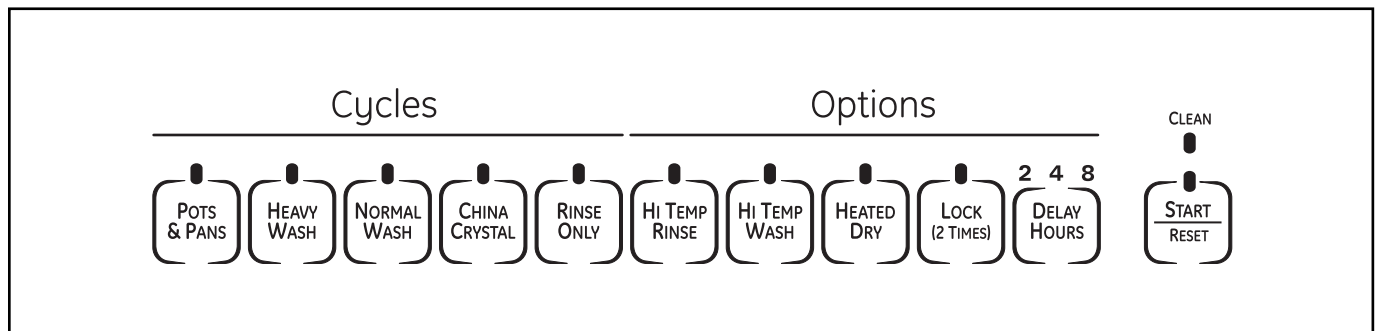
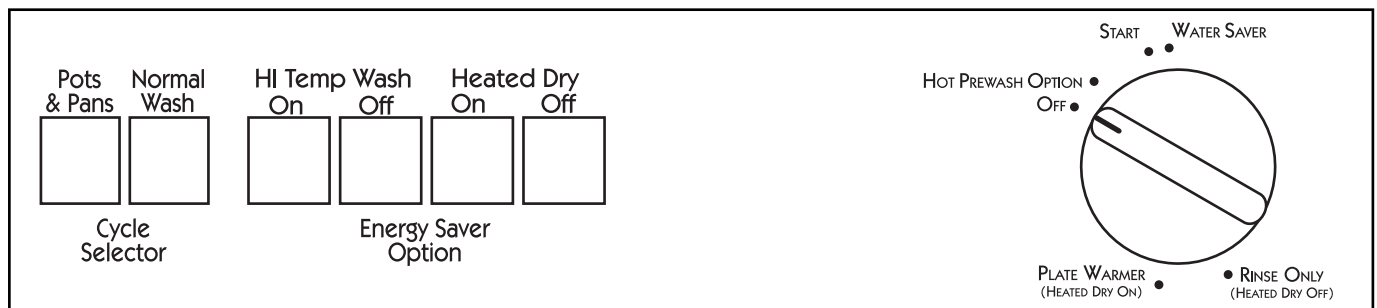
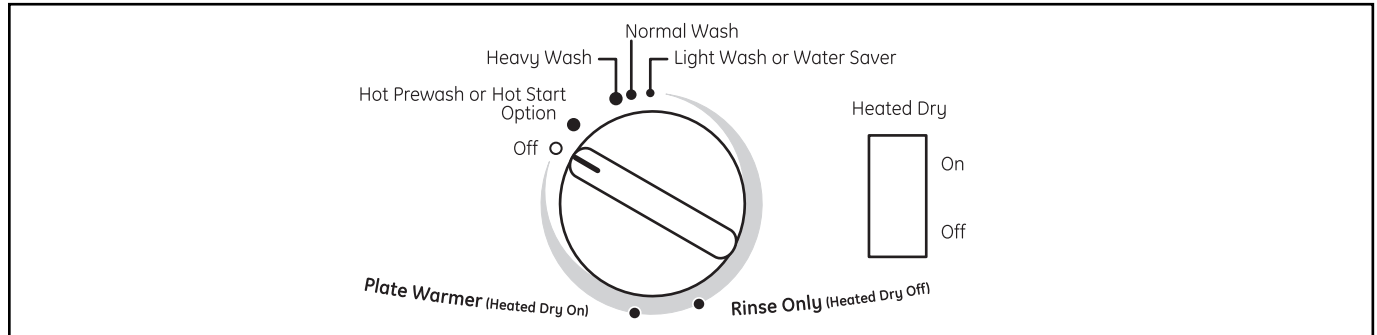
*Il faut appuyer sur le bouton NORMAL WASH pour faire fonctionner ce programme.

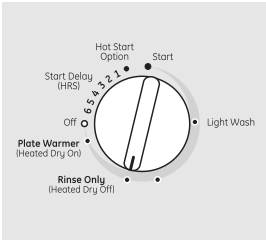
REMARQUE : Tous les programmes ci-dessus ne sont pas offerts sur tous les modèles.

Tableau de commande du lave-vaisselle

Vous trouverez le numéro de votre modèle sur la paroi gauche de la cuve, tout juste à l'intérieur de la porte. Dans le présent manuel, les caractéristiques et leur apparence peuvent être différentes de celles de votre modèle.

Veuillez consulter ci-dessous le tableau de commande qui ressemble le plus à celui de votre appareil.





Rinse Only (rinçage seulement)

Pour rincer les charges partielles que vous désirez laver plus tard. *N'utilisez pas de détergent avec ce programme.*

- 1 Assurez-vous que l'option **HEATED DRY** n'a pas été sélectionnée.
- 2 Assurez-vous que la porte est déverrouillée.
- 3 Tournez lentement le sélecteur à **RINSE ONLY**.
- 4 Verrouillez la porte pour débiter le programme.

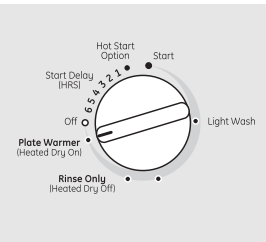
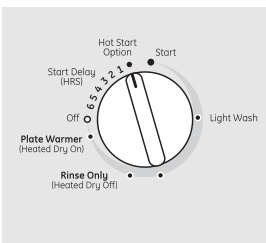


Plate Warmer (chauffe-assiettes) ou Drying (séchage)

Pour réchauffer des assiettes ou des plats de service propres. Ce programme est d'une durée d'environ 39 minutes.

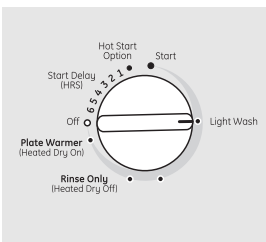
- 1 Placez dans le lave-vaisselle les articles propres que vous désirez réchauffer.
- 2 Sélectionnez l'option **HEATED DRY ON**.
- 3 Assurez-vous que la porte est déverrouillée.
- 4 Tournez lentement le sélecteur à **PLATE WARMER** ou **DRYING**.
- 5 Verrouillez la porte pour débiter le programme.



Hot Start (lavage initial à l'eau chaude) ou Hot Prestart Option (lavage préliminaire à l'eau chaude)

Réchauffe l'eau de lavage.

- 1 Sélectionnez le programme **HOT START** ou **HOT PRESTART** et toute autre option à l'aide des boutons-poussoirs.
- 2 Assurez-vous que la porte est déverrouillée.
- 3 Tournez lentement le sélecteur à **HOT START** ou **HOT PRESTART**.
- 4 Verrouillez la porte pour débiter le programme.



Short Wash (lavage court), Light Wash (saleté légère) or Water Saver (économiseur d'eau)

Pour laver rapidement la vaisselle de tous les jours légèrement ou moyennement sale sur laquelle la saleté n'a pas séché.

- 1 Assurez-vous que la porte est déverrouillée.
- 2 Tournez lentement le sélecteur à **SHORT WASH**, **LIGHT WASH** ou **WATER SAVER**.
- 3 Verrouillez la porte pour débiter le programme.

Start (mise en marche – modèles dotés d'un sélecteur rotatif)

Tournez lentement le bouton à la position **START** ou **ON** ou au programme désiré. Ne le tournez pas au-delà de la position **START** ou **ON**, sinon vous pourriez accidentellement rater un lavage préliminaire.

Il y a un délai entre la mise en marche de l'appareil et le remplissage; c'est pourquoi, vous n'entendez pas immédiatement l'action de lavage.

- Verrouillez la porte pour débiter le programme de lavage.

Fonctionnement des modèles électroniques (modèle GSD4000 seulement)

Utilisation de la porte du lave-vaisselle

- 1 Pour pouvoir **CHOISIR UN PROGRAMME** ou une **OPTION**, la porte doit être fermée et verrouillée.
- 2 Si vous ouvrez la porte pendant le déroulement d'un programme et la laissez ouverte, *le lave-vaisselle fera entendre un signal sonore toutes les 30 secondes jusqu'à ce que vous fermiez et verrouilliez la porte.*

Mise en marche

Fermez et verrouillez la porte. Appuyez sur la touche **START/RESET (mise en marche/remise à zéro)** pour commencer le programme de lavage. Le lave-vaisselle se remplit et environ 60 secondes plus tard, l'action de lavage débute.

REMARQUE : Le lave-vaisselle conserve en mémoire le dernier programme effectué, de sorte que vous n'avez pas à le resélectionner chaque fois. Lorsque le lave-vaisselle est chargé et que la porte est verrouillée, les voyants du tableau de commande s'allument et l'écran affiche les derniers réglages sélectionnés.




Si vous ne désirez pas modifier ces réglages, appuyez simplement sur la touche **START/RESET** pour commencer le programme de lavage.

De plus, s'il y a eu une panne de courant, le programme **NORMAL** et l'option **HEATED DRY** sont automatiquement programmés. Effectuez de nouvelles sélections, au besoin, et appuyez sur la touche **START/RESET** pour commencer le programme de lavage.

Propre

Ce voyant s'allume lorsque le programme de lavage est terminé. Il demeure **ALLUMÉ** jusqu'à ce que vous ouvriez la porte.

Voyants clignotants

Voyants	Signification	Ce qu'il faut faire
	C'est normal. Vous avez appuyé sur la touche START/RESET .	Laissez le lave-vaisselle se vidanger et se réinitialiser avant de régler un nouveau programme de lavage.
 PLUS UN SIGNAL SONORE	Erreur de commande	Appuyez sur la touche START/RESET pour arrêter le signal sonore. Si le voyant CLEAN continue de clignoter, appelez un réparateur.
 PLUS UN SIGNAL SONORE	Erreur de commande	Appuyez sur la touche START/RESET pour arrêter le signal sonore. Le lave-vaisselle tentera de se réinitialiser. Remettez en marche le programme de lavage. Si l'erreur se reproduit, coupez l'alimentation électrique au lave-vaisselle en déclenchant le disjoncteur pendant 30 secondes. Remettez en marche le lave-vaisselle. Si l'erreur se reproduit, appelez un réparateur.



Vérification de la température de l'eau

L'eau qui alimente le lave-vaisselle doit être à une température d'au moins 49 °C (120 °F) et d'au plus 65 °C (150 °F) pour que l'action de lavage soit efficace et pour prévenir tout dommage à la vaisselle. Vérifiez la température de l'eau avec un thermomètre à bonbons ou à viande. Ouvrez le robinet d'eau chaude le plus près du lave-vaisselle, placez le

thermomètre dans un verre et laissez l'eau couler continuellement dans le verre jusqu'à ce que la température cesse d'augmenter.

Au besoin, réglez la température minimum/maximum du chauffe-eau afin de fournir au lave-vaisselle une eau à la température appropriée.



Utilisation du produit de rinçage Cascade Crystal Clear®

Le produit de rinçage **Cascade Crystal Clear®** enlève les taches et empêche la formation d'une pellicule sur la vaisselle, les verres, les couverts, les ustensiles de cuisson et le plastique.

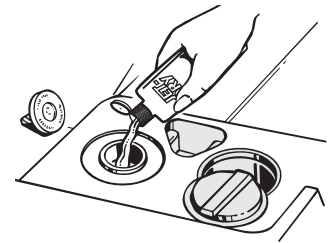
Remplissage du distributeur

Remplissez le distributeur de produit de rinçage jusqu'à ce que le produit atteigne la partie inférieure de la lèvres à l'intérieur de l'ouverture. Remettez en place le capuchon.

Pour vérifier si vous devez ajouter du produit de rinçage, enlevez le capuchon et regardez à l'intérieur du distributeur.

Lorsque le distributeur est plein, la quantité de produit devrait durer environ un mois.

Si vous renversez du produit de rinçage, essuyez-le.



Utilisation du détergent approprié

N'utilisez qu'un détergent spécialement conçu pour les lave-vaisselle. L'utilisation des détergents pour lave-vaisselle automatiques **Cascade®** a été approuvée pour tous les lave-vaisselle GE. Conservez votre détergent dans un endroit frais et sec. Ne versez pas de détergent dans le distributeur avant d'être prêt à mettre l'appareil en marche.

La quantité de détergent varie selon que votre eau est *dure* ou *douce*. Si votre eau est dure, vous devez utiliser une quantité supplémentaire de détergent. Si votre eau est douce, vous avez besoin d'une quantité moins grande de détergent.

Protégez votre vaisselle et votre lave-vaisselle en communiquant avec votre service des eaux pour connaître le degré de dureté de votre eau. Une eau présentant une concentration de 12 grains ou plus est extrêmement dure. Nous recommandons l'utilisation d'un adoucisseur d'eau, sinon du calcaire peut s'accumuler à l'intérieur de l'électrovanne, ce qui pourrait la bloquer en position ouverte et provoquer une inondation. Une quantité excessive de détergent dans une eau douce peut provoquer l'apparition d'une pellicule blanche permanente appelée *attaque chimique* sur les verres.

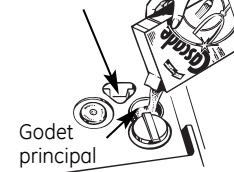
Consultez le tableau ci-dessous pour déterminer la quantité de détergent à verser dans le distributeur.

Nombre de grains	Godets à remplir
Moins de 4	Remplissez le godet principal au 1/3
Entre 4 et 8	Remplissez le godet principal aux 2/3
Entre 8 et 12	Remplissez complètement le godet principal
Plus de 12	Remplissez le godet principal et le godet ouvert

Il y a deux distributeurs de détergent dans la porte de votre lave-vaisselle. Pour tous les programmes de lavage, remplissez le godet principal. Lorsque vous utilisez du détergent pour lave-vaisselle automatiques en tablettes, placez simplement une tablette dans le godet principal, puis fermez-le.

Assurez-vous que le sélecteur rotatif est à **OFF** avant d'ajouter du détergent. Sinon, le godet ne se fermera pas et ne se verrouillera pas correctement. Ajoutez du détergent, puis fermez le couvercle du godet principal.

Godet ouvert

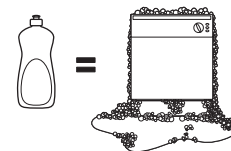


Godet principal



REMARQUE : Pour ouvrir le godet de détergent après l'avoir fermé, tournez simplement la poignée du couvercle du godet dans le sens antihoraire, puis relâchez-la. Il est possible que vous entendiez un bruit sec.

N'UTILISEZ PAS DU DÉTERGENT LIQUIDE POUR LE LAVAGE DE LA VAISSELLE À LA MAIN



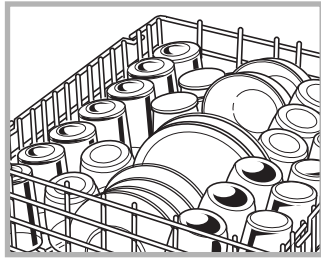
REMARQUE : Si vous utilisez un détergent qui n'est pas conçu pour les lave-vaisselle, il se formera de la mousse à l'intérieur de l'appareil. Pendant le fonctionnement, cette mousse sortira par les événements de l'appareil et s'écoulera sur le plancher de cuisine.

Comme bon nombre de contenants de détergent se ressemblent, rangez le détergent pour lave-vaisselle à part de vos autres produits nettoyants. Montrez le bon détergent à toute personne susceptible d'utiliser le lave-vaisselle, ainsi que l'endroit où vous le gardez.

Même si l'utilisation d'un détergent non conçu pour les lave-vaisselle ne risque pas de causer des dommages permanents à votre appareil, votre vaisselle ne sera pas aussi propre.

Chargement des paniers du lave-vaisselle

Pour un lavage optimal, veuillez suivre les lignes directrices ci-dessous pour le chargement des paniers. Les caractéristiques et l'apparence des paniers et du panier à couverts peuvent être différentes de celles de votre modèle.



Panier supérieur

Le panier supérieur est conçu pour les verres, les tasses et les soucoupes. Idéalement, placez les tasses et les verres sur les côtés. Vous pouvez également y placer des articles en plastique lavables au lave-vaisselle. Le panier supérieur est tout désigné pour les ustensiles de forme irrégulière. Placez les casseroles, les bols

à mélanger et autres articles à l'envers dans le panier.

Si possible, placez les gros articles en plastique lavables au lave-vaisselle sur deux tiges pour les immobiliser.

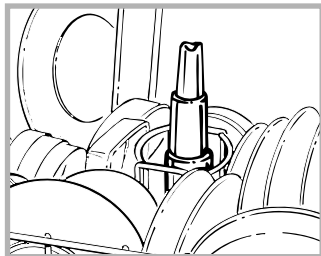
Assurez-vous d'immobiliser tous les petits articles en plastique afin qu'ils ne tombent pas sur l'élément chauffant.



Panier inférieur

Ne placez pas de grandes assiettes ou de gros plateaux dans le coin avant droit du lave-vaisselle. Ils peuvent empêcher la distribution du détergent pendant le programme de lavage.

Le panier inférieur est conçu pour les assiettes, les soucoupes et les ustensiles de cuisson. Placez les articles plus gros sur les côtés. Placez les assiettes, les casseroles et les bols sur les côtés, dans les coins ou vers l'arrière du panier, la surface souillée orientée vers le centre du panier.



Tour de lavage

Gardez le centre du panier inférieur dégagé.

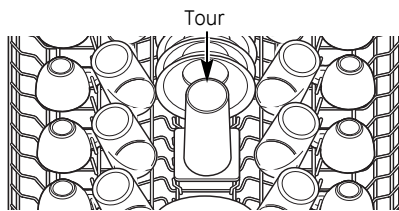
La tour de lavage s'élève au centre du panier inférieur pendant les cycles de lavage et de rinçage du programme.



Ne bloquez pas la tour de lavage ou ne placez pas des articles de grande dimension à proximité.

Assurez-vous qu'aucun article ne tombe dans le panier et empêche le bras gicleur de tourner.

De plus, assurez-vous qu'aucune partie d'un article, par exemple la poignée d'un ustensile de cuisson, ne dépasse du fond du panier. Cela pourrait bloquer le bras gicleur et atténuer l'efficacité du lavage.



Ne couvrez pas la tour de lavage du panier supérieur (sur certains modèles seulement)

Ne bloquez pas la tour de lavage dans le panier supérieur.



Panier à couverts

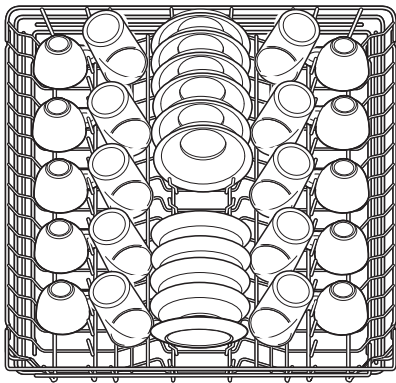
Placez les couverts dans le panier amovible, le manche des fourchettes et des couteaux vers le haut, afin d'éviter toute blessure aux mains. Placez les cuillères dans le panier, le manche vers le bas. Mélangez les couteaux, les fourchettes et les cuillères afin qu'ils ne s'entassent pas les uns contre les autres. Répartissez-les de façon uniforme. Placez les petits articles en plastique, comme les cuillères à mesurer et les couvercles de petits contenants, dans le fond du panier à couverts et ajoutez des articles par-dessus pour les immobiliser.

NE LAISSEZ AUCUN ARTICLE DÉPASSER DU FOND DU PANIER À COUVERTS ET DU PANIER DU LAVE-VAISSELLE AFIN D'ASSURER LE FONCTIONNEMENT APPROPRIÉ DU BRAS GICLEUR.

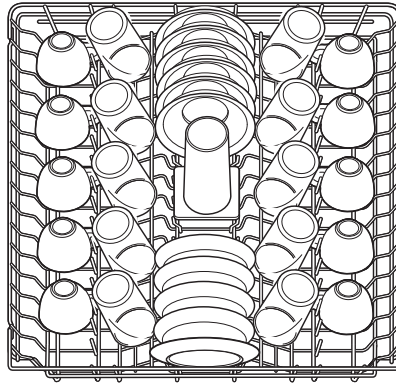
Chargement de la vaisselle...

www.electromenagersge.ca

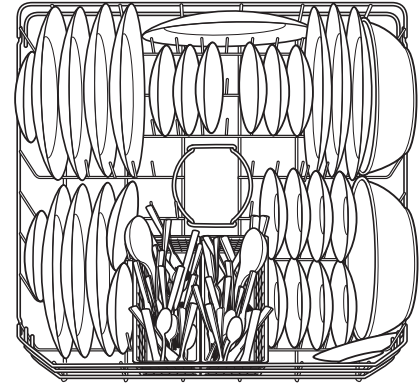
Suivez les lignes directrices ci-dessous pour charger les couverts de 10 personnes. Les caractéristiques et l'apparence des paniers et du panier à couverts peuvent être différentes de celles de votre modèle.



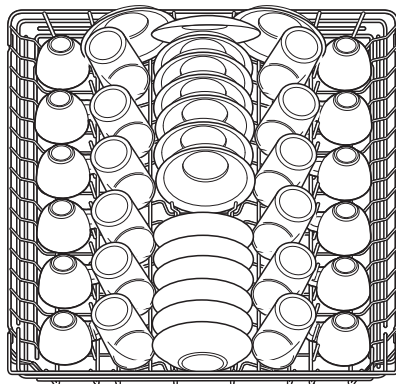
Panier supérieur—10 couverts



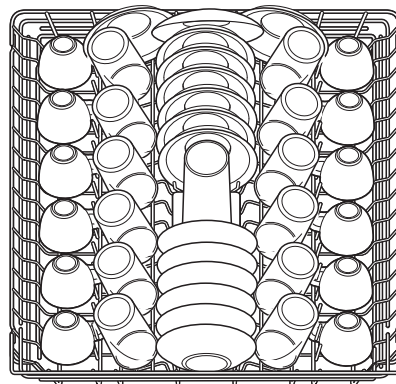
Panier supérieur—10 couverts



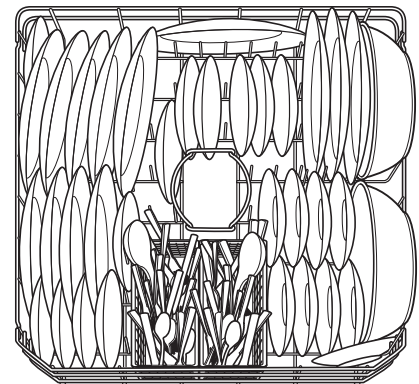
Panier inférieur—10 couverts



Panier supérieur—12 couverts



Panier supérieur—12 couverts



Panier inférieur—12 couverts

Vous avez oublié d'ajouter un article?

Vous pouvez ajouter un article oublié à n'importe quel moment avant le lavage principal.

- 1 Déverrouillez la porte en poussant le loquet vers la gauche.
- 2 Lorsque l'action de lavage s'est arrêtée, ouvrez la porte. Il est possible que de la vapeur s'échappe du lave-vaisselle.
- 3 Ajoutez l'article oublié.
- 4 Refermez la porte et poussez le loquet vers la droite.

Conseils pour un chargement et une efficacité de lavage efficaces

- Ne bloquez pas la tour de lavage dans le panier inférieur.



- Ne laissez pas des articles dépasser du panier et bloquer les bras gicleurs.



Consigne de sécurité

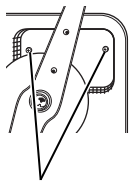
Fonctionnement

Dépannage

Service à la clientèle

Entretien du lave-vaisselle

Pour nettoyer le tableau de commande, utilisez un chiffon légèrement humide, puis asséchez-le. Pour nettoyer l'extérieur, utilisez un bon poli pour électroménagers. N'utilisez jamais d'objets tranchants, de tampons à récurer ou de produits nettoyants abrasifs sur une partie quelconque du lave-vaisselle.



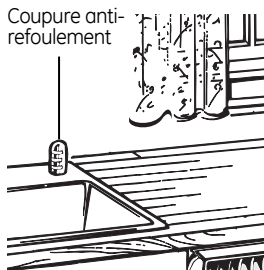
Vis du couvercle du collet de vidange

Protection contre le gel

Si vous laissez votre lave-vaisselle dans un endroit non chauffé pendant l'hiver, demandez à un technicien d'effectuer les tâches qui suivent :

- 1 Couper l'alimentation électrique du lave-vaisselle. Enlever les fusibles ou déclencher les disjoncteurs.
- 2 Couper l'alimentation en eau et débrancher la conduite d'alimentation en eau de l'électrovanne.
- 3 Vidanger l'eau de la conduite d'alimentation et de l'électrovanne. (Utiliser un récipient pour recueillir l'eau).
- 4 Rebrancher la conduite d'alimentation en eau à l'électrovanne de l'appareil.
- 5 Enlever le couvercle du collet de vidange dans le fond de la cuve. Utiliser une éponge pour éponger l'eau dans le raccord en caoutchouc.

Coupure anti-refoulement



Vérifiez la coupure anti-refoulement dès que votre lave-vaisselle ne se vide pas bien.

Votre lave-vaisselle est-il doté d'une coupure anti-refoulement?

Une coupure anti-refoulement protège votre lave-vaisselle contre les refoulements d'eau lors d'un blocage du renvoi. Ce dispositif ne fait pas partie du lave-vaisselle. Il n'est pas couvert par votre garantie. Puisque tous les codes de plomberie n'exigent pas de coupures anti-refoulement, il est possible que vous n'ayez pas un tel dispositif.

Il est facile de nettoyer la coupure anti-refoulement.

- 1 Arrêtez le lave-vaisselle et enlevez le couvercle chromé.
- 2 Enlevez le capuchon en plastique et nettoyez-le à l'aide d'un cure-dents.

Panneaux en acier inoxydable

Vous pouvez nettoyer les panneaux en acier inoxydable avec un chiffon doux et propre et un produit nettoyant comme *Stainless Steel Magic* ou tout autre produit similaire.

Vous pouvez commander le produit nettoyant *Stainless Steel Magic* n° WX10X15 au service des pièces de GE au numéro 1.800.626.2002.

Accessoires facultatifs

Vous pouvez modifier l'apparence de votre lave-vaisselle en installant un panneau décoratif personnalisé.

Ensemble de moulures pour panneau de bois de 6,3 mm (1/4 po)—Cet ensemble comprend les moulures et les directives pour que vous puissiez installer un panneau de bois décoratif (non fourni) de 6,3 mm (1/4 po) d'épaisseur :

- GPF25B (noir) GPF325B/GPF425B
- GPF25W (blanc) GPF325W/GPF425W
- GPF25C (bisque) GPF325C/GPF425C

Ensemble pour panneau de bois sans moulures de 19,0 mm (3/4 po)—Cet ensemble comprend les pièces et les directives pour l'installation d'un panneau de porte décoratif en bois (non fourni) de 19,0 mm (3/4 po) d'épaisseur :

- GPF375/GPF475

REMARQUE : Lorsque le panneau de porte pèse 1,8 kg (4 lb) ou plus, il faut également commander l'ensemble de ressorts pour porte de lave-vaisselle

GPF100. Cet ensemble est fourni dans les ensembles pour panneau de bois sans moulures de 19,0 mm (3/4 po) d'épaisseur.

Ensemble de supports pour comptoirs non fabriqués en bois—Cet ensemble est conçu pour l'installation d'un lave-vaisselle sous un comptoir non fabriqué en bois. Il comprend des supports latéraux et des directives pour l'installation du lave-vaisselle :

- GPF65

Pour commander l'ensemble convenant à votre modèle, communiquez avec votre détaillant d'électroménagers GE.

Vous pouvez vous procurer ces accessoires moyennant des frais supplémentaires auprès de GE. Pour passer une commande, composez le 1.800.626.2002 ou passez chez votre détaillant autorisé d'électroménagers GE. Les cartes de crédit Visa, MasterCard ou Discover sont acceptées. Veuillez préciser le numéro de l'accessoire lors de votre commande.



Conseils de dépannage

Gagnez du temps et économisez de l'argent! Consultez les tableaux des pages qui suivent ou visitez notre site Web www.electromenagersge.ca. Vous pourriez vous éviter d'appeler un réparateur.

Problème	Causes possibles	Correctifs
Le lave-vaisselle ne fonctionne pas	Le fusible est grillé ou le disjoncteur est déclenché	<ul style="list-style-type: none"> • Remplacez le fusible ou réenclenchez le disjoncteur. Débranchez tous les autres électroménagers du circuit. • Appuyez deux fois sur la touche START/RESET (modèles électroniques seulement).
	L'alimentation électrique est coupée	<ul style="list-style-type: none"> • Dans certaines installations, l'alimentation électrique du lave-vaisselle est commandée par un interrupteur mural, souvent placé à côté de l'interrupteur du broyeur à déchets. Assurez-vous que l'interrupteur est à ON (marche).
Bruit	Il est normal d'entendre certains bruits	<ul style="list-style-type: none"> • Fonctionnement du broyeur d'aliments mous de l'appareil. • Ouverture du clapet de vidange pour vidanger l'eau. • Fonctionnement du sélecteur pendant le déroulement du programme. • Ouverture du distributeur de détergent. • Arrêt du moteur pendant la période de séchage. • Vidange de l'eau immédiatement après avoir appuyé sur la touche START/RESET.
	Des articles ne sont pas bien placés dans le panier ou un petit article est tombé dans l'appareil	<ul style="list-style-type: none"> • Assurez-vous que tous les articles sont bien placés dans le lave-vaisselle.
	Bruit causé par la vaisselle lorsque le bras gicleur tourne	<ul style="list-style-type: none"> • Assurez-vous que les articles sont bien placés dans les paniers. Reportez-vous à la section <i>Chargement des paniers du lave-vaisselle</i>.
	Bourdonnement du moteur	<ul style="list-style-type: none"> • Le lave-vaisselle n'est pas utilisé régulièrement. Si vous n'utilisez pas votre lave-vaisselle fréquemment, laissez-le se remplir et se vider au moins une fois par semaine afin de garder le joint d'étanchéité humide.
	Il reste de l'eau propre au fond de la cuve	<ul style="list-style-type: none"> • Une petite quantité d'eau propre reste au fond du lave-vaisselle, vers l'arrière de la cuve, afin de garder le joint lubrifié.
Il reste de l'eau au fond de la cuve	Le renvoi est bloqué	<ul style="list-style-type: none"> • Si vous avez une coupure anti-refoulement, nettoyez-la. • Vérifiez si l'évier de votre cuisine se vide correctement. Si non, vous aurez peut-être besoin d'un plombier. • Si l'eau du lave-vaisselle se vide dans un broyeur à déchets, faites fonctionner le broyeur pour le dégager.
Mousse dans la cuve	Utilisation d'un détergent non approprié	<ul style="list-style-type: none"> • Pour éviter la formation de mousse, n'utilisez qu'un détergent conçu pour les lave-vaisselle automatiques. L'utilisation des détergents pour lave-vaisselle Cascade®, Cascade® Complete et Electrasol® est approuvée dans tous les lave-vaisselle GE. • Pour faire disparaître la mousse dans la cuve, ouvrez la porte du lave-vaisselle et laissez la mousse s'évaporer. Versez 4,5 litres (1 gallon) d'eau froide dans la cuve. Sur les modèles dotés d'un sélecteur rotatif : fermez et verrouillez la porte du lave-vaisselle. Vidangez l'eau en tournant lentement le bouton jusqu'à la période de vidange. Répétez au besoin. Sur les modèles dotés de commandes électroniques : vidangez l'eau du lave-vaisselle en appuyant sur la touche START/RESET puis 10 secondes plus tard, appuyez de nouveau sur la touche START/RESET. Répétez au besoin.
	Renversement de produit de rinçage	<ul style="list-style-type: none"> • Il faut toujours essuyer immédiatement le produit de rinçage renversé.

Avant d'appeler un réparateur...

Problème	Causes possibles	Correctifs
Taches à l'intérieur de la cuve	Certains aliments à base de tomate peuvent causer des taches rougeâtres	<ul style="list-style-type: none"> Pour atténuer la formation de taches, réglez le programme RINSE ONLY après avoir placé la vaisselle dans l'appareil. GE recommande l'utilisation du produit Cascade® Plastic Booster pour faire disparaître ce type de taches.
	Taches de thé ou de café	<ul style="list-style-type: none"> Faites disparaître ces taches à la main à l'aide d'une solution contenant une 1/2 tasse de javellisant et 3 tasses d'eau chaude. <p>⚠ AVERTISSEMENT Avant de nettoyer l'intérieur de l'appareil, attendez au moins 20 minutes après la fin d'un programme de lavage pour permettre à l'élément chauffant de refroidir. Sinon, vous risquez de vous brûler.</p>
spécial	La présence d'une pellicule jaune ou brunâtre peut être causée par des dépôts de fer dans l'eau	<ul style="list-style-type: none"> Le seul moyen de corriger ce problème consiste à installer un filtre sur la conduite d'eau. Veuillez communiquer avec un fournisseur d'adoucisseurs d'eau.
	Pellicule blanchâtre sur les surfaces internes—dépôts de minéraux causés par l'eau dure	<ul style="list-style-type: none"> GE recommande l'utilisation du produit de rinçage Cascade Crystal Clear® pour empêcher la formation de dépôts de minéraux causés par l'eau dure. Faites fonctionner le lave-vaisselle en y versant de l'acide citrique pour enlever les dépôts de minéraux. Vous pouvez acheter ce produit au service des pièces de GE (n° de pièce WD35X151). Pour obtenir les renseignements pour commander, reportez-vous à la dernière page.
La vaisselle ne sèche pas	Basse température de l'eau	<ul style="list-style-type: none"> Assurez-vous que la température de l'eau qui alimente le lave-vaisselle atteint au moins 49 °C (120 °F). Sélectionnez l'option HEATED DRY. Sélectionnez les options HOT START et ADDED HEAT. Sélectionnez un programme dont l'action de lavage est plus puissante, comme POTS & PANS ou HEAVY WASH.
	Le distributeur de produit de rinçage est vide	<ul style="list-style-type: none"> Vérifiez le distributeur de produit de rinçage et remplissez-le, au besoin.
La vaisselle et les couverts ne sont pas propres	La température de l'eau est inférieure à 49 °C (120 °F)	<ul style="list-style-type: none"> Augmentez la température de l'eau à 49 °C (120 °F). Utilisez les options et programmes HOT START, POTS & PANS ou HEAVY WASH et HI TEMP WASH.
	Quantité insuffisante de détergent	<ul style="list-style-type: none"> Reportez-vous aux sections <i>Utilisation du lave-vaisselle</i> et <i>Utilisation du détergent approprié</i> pour des conseils concernant le détergent.
	Détergent en poudre «trop vieux» ou humide	<ul style="list-style-type: none"> Reportez-vous aux sections <i>Utilisation du lave-vaisselle</i> et <i>Utilisation du détergent approprié</i> pour des conseils concernant le détergent.
	Faible pression d'eau temporaire	<ul style="list-style-type: none"> Ouvrez le robinet. Le débit d'eau est-il plus faible que d'habitude? Si tel est le cas, attendez que la pression revienne à la normale avant d'utiliser votre lave-vaisselle.
	Coupure anti-refoulement obstruée	<ul style="list-style-type: none"> Nettoyez la coupure anti-refoulement.
	Chargement incorrect des paniers	<ul style="list-style-type: none"> Assurez-vous que les articles de grande dimension ne bloquent pas le distributeur de détergent ou les bras gicleurs.
	Aucune coupure anti-refoulement ou boyau de vidange surélevé	<ul style="list-style-type: none"> Vérifiez si vous avez une coupure anti-refoulement ou un boyau de vidange surélevé. Reportez-vous aux directives d'installation.

Problème	Causes possibles	Correctifs
Taches ou pellicule sur les verres et les couverts	Eau extrêmement dure Basse température de l'eau Surcharge du lave-vaisselle Chargement incorrect Détergent en poudre «trop vieux» ou humide Distributeur de produit de rinçage vide Quantité insuffisante de détergent	<ul style="list-style-type: none"> Utilisez le produit de rinçage Cascade Crystal Clear® pour faire disparaître les taches et prévenir la formation d'une pellicule. Pour faire disparaître les taches tenaces ou la pellicule sur les verres : <ol style="list-style-type: none"> 1 Enlevez tous les articles en métal du lave-vaisselle. 2 Ne versez pas de détergent dans l'appareil. 3 Sélectionnez le programme le plus long. 4 Mettez le lave-vaisselle en marche et laissez-le fonctionner pendant 18 à 22 minutes. Le lave-vaisselle effectuera maintenant le lavage principal. 5 Ouvrez la porte et versez 2 tasses (500 ml) de vinaigre blanc dans le fond du lave-vaisselle. 6 Refermez la porte et laissez le programme se terminer. Si le rinçage au vinaigre ne fonctionne pas, répétez la procédure ci-dessus, mais utilisez 1/4 tasse (60 ml) de cristaux d'acide citrique au lieu du vinaigre.
Pellicule blanchâtre sur les verres	Utilisation d'une trop grande quantité de détergent dans une eau douce La température de l'eau qui alimente le lave-vaisselle est supérieure à 66 °C (150 °F)	<ul style="list-style-type: none"> Ce phénomène permanent est appelé <i>attaque chimique</i>. Pour l'éviter, utilisez moins de détergent si votre eau est douce. Choisissez le programme le plus court pour laver vos verres. Abaissez la température du chauffe-eau.
Le couvercle du distributeur de détergent ne se ferme pas	Le sélecteur rotatif n'est pas à la position OFF	<ul style="list-style-type: none"> Tournez le sélecteur rotatif à OFF.
Il reste du détergent dans les distributeurs	Des articles empêchent l'eau d'atteindre les distributeurs de détergent	<ul style="list-style-type: none"> Remplacez les articles dans l'appareil.
Vapeur	Ce phénomène est normal	<ul style="list-style-type: none"> De la vapeur s'échappe de l'évent pendant le lavage, le séchage et la vidange de l'eau.
Marques noires ou grisâtres sur la vaisselle	Frottement d'ustensiles en aluminium sur la vaisselle	<ul style="list-style-type: none"> Faites disparaître ces marques à l'aide d'un produit nettoyant abrasif doux.
Les voyants du tableau de commande s'éteignent lorsque vous réglez les commandes	Délai trop long entre les choix des touches	<ul style="list-style-type: none"> Vous avez un délai de 30 secondes pour appuyer sur chaque touche. Pour allumer à nouveau le tableau de commande, appuyez sur une touche ou déverrouillez, puis verrouillez la porte.
Le tableau de commande fonctionne, mais le lave-vaisselle ne se remplit pas d'eau	La porte n'est peut-être pas correctement verrouillée	<ul style="list-style-type: none"> Appelez un réparateur.

Consigne de sécurité

Fonctionnement

Dépannage

Service à la clientèle

Garantie GE sur les lave-vaisselle.



Toutes les réparations sous garantie seront effectuées par nos centres de réparation ou nos réparateurs autorisés. Appelez le 1.800.561.3344. Veuillez fournir le numéro de série et le numéro de modèle lorsque vous appelez pour obtenir le service.

Agrafez le reçu d'achat ici. Pour obtenir le service sous garantie, vous devrez fournir la preuve de l'achat original.

Pour une période de : GE remplacera :

Un an

à partir de la date d'achat initial

Toute pièce du lave-vaisselle qui se casse à cause d'un vice de matériau ou de main-d'oeuvre. Au cours de cette **année de garantie limitée**, GE fournira, **gratuitement**, toute la main-d'oeuvre et le service à la maison nécessaires pour remplacer la pièce défectueuse.

Ce qui n'est pas couvert :

- Tout déplacement de service chez vous pour vous apprendre à utiliser votre lave-vaisselle.
- Toute mauvaise installation.
Si vous avez un problème d'installation, appelez votre revendeur ou un installateur. Vous êtes responsable de fournir une bonne alimentation électrique, un bon échappement et tout autre branchement nécessaire.
- Toute panne du produit s'il a été malmené, mal utilisé ou utilisé à une autre fin que celle prévue ou utilisé commercialement.
- Tout remplacement des fusibles de la maison ou tout rebranchement des disjoncteurs.
- Tout dommage occasionné par un accident, un incendie, une inondation ou un acte de Dieu.
- Tout dommage subi après la livraison.
- Le service s'il est impossible d'avoir accès au produit pour ce faire.

EXCLUSION DE GARANTIES IMPLICITES – Votre seul et unique recours est la réparation du produit selon les dispositions de cette Garantie limitée. Toutes les garanties implicites, incluant les garanties de commercialité et d'adéquation à un usage spécifique, sont limitées à une année ou à la période la plus courte autorisée par la législation.

Cette garantie est valable pour le premier propriétaire et tout autre propriétaire du produit s'il acheté au Canada pour utilisation domestique au Canada. Le service à domicile sous garantie sera fourni là où il est disponible et dans les régions que Mabe considère que l'offre de service est raisonnable.

LE GARANT N'EST PAS RESPONSABLE DES DOMMAGES CONSÉCUTIFS.

Garant : MABE CANADA INC.

Soutien au consommateur.



Site Web appareils électroménagers GE www.electromenagersge.ca

Vous avez une question ou vous avez besoin d'aide pour votre appareil électroménager? Contactez-nous par Internet au site www.electromenagersge.ca 24 heures par jour, tous les jours de l'année.



Service de réparations

1.800.561.3344

Service de réparations GE tout près de vous.

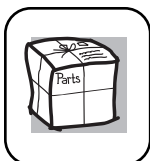
Pour faire réparer votre électroménager GE, il suffit de nous téléphoner.



Studio de conception réaliste

Sur demande, GE peut fournir une brochure sur l'aménagement d'une cuisine pour les personnes à mobilité réduite.

Écrivez: Directeur, Relations avec les consommateurs, Mabe Canada Inc.
Bureau 310, 1 Factory Lane
Moncton, N.B. E1C 9M3



Pièces et accessoires

Ceux qui désirent réparer eux-mêmes leurs électroménagers peuvent recevoir pièces et accessoires directement à la maison (cartes VISA, MasterCard et Discover acceptées).

Les directives stipulées dans le présent manuel peuvent être suivies par n'importe quel utilisateur. Les autres réparations doivent généralement être effectuées par un technicien qualifié. Soyez prudent, car une réparation inadéquate peut affecter le fonctionnement sécuritaire de l'appareil.

Vous trouverez dans les pages jaunes de votre annuaire le numéro du Centre de service Mabe le plus proche. Autrement, appelez-nous au 1.800.661.1616.



Contactez-nous

Si vous n'êtes pas satisfait du service après-vente dont vous avez bénéficié :

Premièrement, communiquez avec les gens qui ont réparé votre appareil.

Ensuite, si vous n'êtes toujours pas satisfait envoyez tous les détails–numéro de téléphone compris–au

Directeur, Relations avec les consommateurs, Mabe Canada Inc.
Bureau 310, 1 Factory Lane
Moncton, N.B. E1C 9M3



Inscrivez votre appareil électroménager www.electromenagersge.ca

Inscrivez votre appareil électroménager en direct, aussitôt que possible. Cela améliorera nos communications et notre service après-vente. Vous pouvez également nous envoyer par la poste le formulaire d'inscription joint à votre documentation.

<i>Service à la clientèle</i>	<i>Dépannage</i>	<i>Fonctionnement</i>	<i>Consigne de sécurité</i>
-------------------------------	------------------	-----------------------	-----------------------------

Notes.

Notes.

<i>Consigne de sécurité</i>	<i>Fonctionnement</i>	<i>Dépannage</i>	<i>Service à la clientèle</i>
-----------------------------	-----------------------	------------------	-------------------------------

<i>Service à la clientèle</i>	<i>Dépannage</i>	<i>Fonctionnement</i>	<i>Consigne de sécurité</i>
-------------------------------	------------------	-----------------------	-----------------------------

Notes.

Notes.

<i>Consigne de sécurité</i>	<i>Fonctionnement</i>	<i>Dépannage</i>	<i>Service à la clientèle</i>
-----------------------------	-----------------------	------------------	-------------------------------

<i>Service à la clientèle</i>	<i>Dépannage</i>	<i>Fonctionnement</i>	<i>Consigne de sécurité</i>
-------------------------------	------------------	-----------------------	-----------------------------

Notes.

Notes.

Consigne de sécurité

Fonctionnement

Dépannage

Service à la clientèle

Consigne de sécurité

Fonctionnement

Dépannage

Service à la clientèle

Notes.
