

PLEASE READ THIS MANUAL BEFORE INSTALLING AND USING APPLIANCE.

IMPORTANT: Read all instructions and warnings carefully before starting installation. Failure to follow these instructions may result in a possible fire hazard and will void the warranty.

WARNING: If the information in this manual is not followed exactly, a fire or explosion may result causing property damage, personal injury or loss of life.

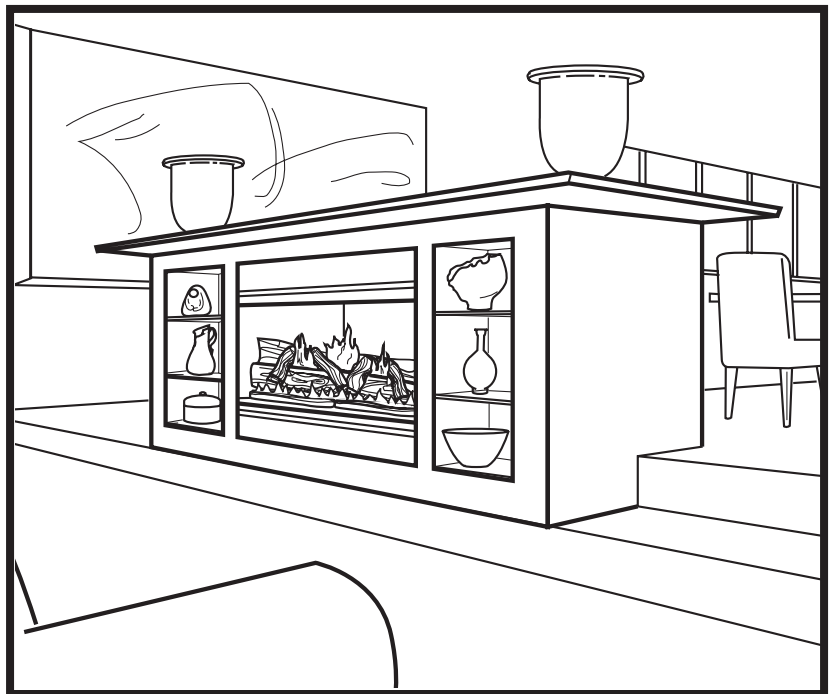
- Do not store or use gasoline or other flammable vapors and liquids in the vicinity of this or any other appliance.
- What to Do If You Smell Gas
 - Do not try to light any appliance.
 - Do not touch any electrical switch; do not use any phone in your building.
 - Immediately call your gas supplier from a neighbor's phone. Follow the gas supplier's instructions.
 - If you cannot reach your gas supplier, call the fire department.
- Installation and service must be performed by a qualified installer, service agency or the gas supplier.

This is an unvented gas-fired heater. It uses air (oxygen) from the room in which it is installed. Provisions for adequate combustion and ventilation air must be provided. Refer to Page 4.

MAJESTIC™ *Fireplaces*

Vent-Free Gas Room Heaters

**Models: UVC36 / UVS36
UVC43 / UVS43**



Homeowner's Installation and Operating Manual



INSTALLER: Leave this manual with the appliance.
CONSUMER: Retain this manual for future reference.

Table Of Contents

PLEASE READ THE INSTALLATION & OPERATING INSTRUCTIONS BEFORE USING APPLIANCE.

Thank you and congratulations on your purchase of a Vermont Castings, Majestic Products fireplace.

IMPORTANT: Read all instructions and warnings carefully before starting installation. Failure to follow these instructions may result in a possible fire hazard and will void the warranty.

Installation & Operating Instructions

Important Curing/Burning Instructions.....	3
Fireplace Dimensions.....	4
Safety Devices	5
Description	5
Minimum Clearances.....	5
Mantels	5
Hearth Extension.....	6
Planning	6
Mounting the Heater.....	6
Framing 6	
Insulating for Cold Climates	6
Gas Specifications.....	7
Gas Inlet and Manifold Pressures	7
Gas Supply Pressures.....	7
High Elevations	7
Connect the Gas Line.....	7
Electrical Connection.....	8
Hard (Direct) Wire Hook-Up	8
EB1 (Receptacle) Hook-Up.....	8
Remote Wall Switch	8
Alternate Switch Location.....	9
Slide Heater in Place.....	9
Level and Secure the Heater.....	9
Finishing	9

Operating Instructions

Glass Information	10
Louvre Removal	10
Window Frame Assembly Removal.....	10
Glass Cleaning	10
Log Installation	10
Ember Material Placement.....	11
Lava Rock	11
Flame Adjustment.....	11
Flame Characteristics.....	11
First Firing	11
Lighting and Operating Instructions	12
Troubleshooting Gas Control (NOVA SIT 820).....	13

Maintenance

Cleaning the Standing Pilot Control System	14
Cleaning Catalytic Filters (UVC Only)	14

Replacement Parts

Optional Accessories

Fan Kit.....	17
Hard (Direct) Wire Hook Up	17
Remote Controls	17
Ceramic Refractory Panels	17
Arched Door Front.....	17
Decorative Frame Trim.....	18
Decorative Bay Window	18
EB-1 Electrical Box.....	18
Outside Air Termination	18

Warranty

.....	19
-------	----

Installation & Operating Instructions

This gas room heater should be installed by a qualified installer in accordance with local building codes and with current National Fuel Gas Code. ANSI Z223.1/NFPA 54.

"This heater shall not be installed in a confined space or unusually tight construction unless provisions are provided for adequate combustion and ventilation air".

"The National Fuel Gas Code, ANSI Z233.1/NFPA 54 defines a confined space as a space whose volume is less than 50 cubic feet per 1,000 Btu per hour (4.8m³ per kw) of the aggregate input rating of all appliances installed in that space and an unconfined space as a space whose volume is not less than 50 cubic feet per 1,000 Btu per hour (4.8 m³ per kw) of the aggregate input rating of all appliances installed in that space.. Rooms communicating directly with the space in which the appliances are installed, through openings not furnished with doors, are considered a part of the unconfined space.

WARNING: If the area in which the heater may be operated is smaller than that defined as an unconfined space or if the building is of unusually tight construction, provide adequate combustion and ventilation air by one of the methods, described in the National Fuel Gas Code, ANSI Z 223.1/NFPA 54, Section 5.3 or applicable local codes."

Unusually tight construction is defined as construction where:

- Walls and ceilings exposed to the outside atmosphere have a continuous water vapor retarder with a rating of 1 perm (6 x 10⁻¹¹ kg per pa-sec-m²) or less with openings gasketed or sealed, and
- Weather stripping has been added on openable windows and doors, and
- Caulking or sealants are applied to areas such as joints around window and door frames, between sole plates and floors, between wall-ceiling joints, between wall panels, at penetrations for plumbing, electrical, and gas lines, and at other openings.

Fireplace screen (when equipped) must be closed while the appliance is in operation.

WARNING: Do not allow LP tank below 1/4 full.

WARNING: Do not allow fans to blow directly into the fireplace. Avoid any drafts that alter burner flame patterns.

WARNING: Do not use a blower insert, heat exchanger or other accessory not approved for use with this heater.

WARNING: Any change to this heater or its controls can be dangerous.

This appliance may be installed in an aftermarket, permanently located, manufactured (mobile home), where not prohibited by local codes.

This appliance is only for use with the type of gas indicated on the rating plate. This appliance is not convertible for use with other gases.

FOR SAFE INSTALLATION AND OPERATION OF YOUR VERMONT CASTINGS MAJESTIC PRODUCTS COMPANY VENT-FREE ROOM HEATER PLEASE NOTE THE FOLLOWING:

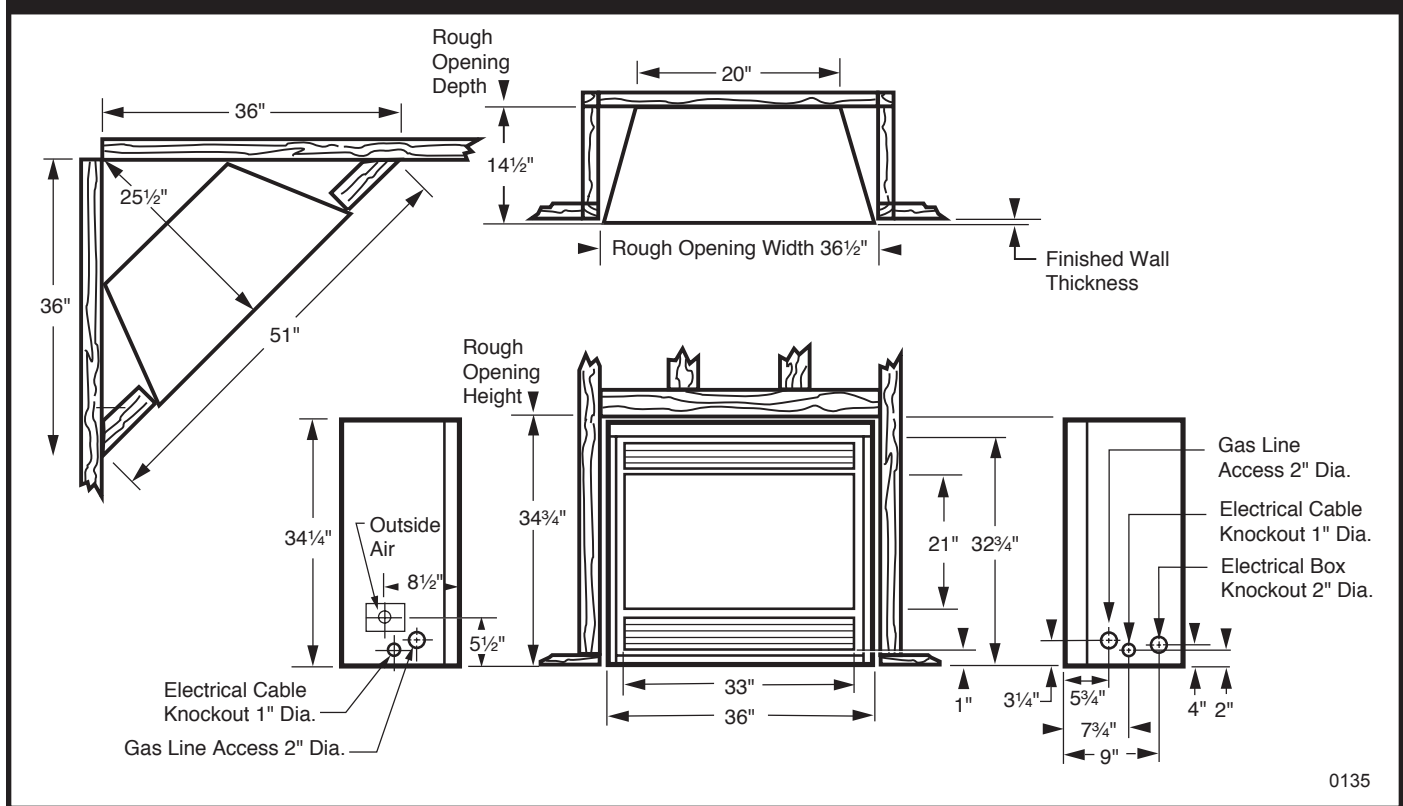
- This heater gives off high temperatures and should be located out of high traffic areas and away from furniture and draperies.
- Children and adults should be alerted to the hazards of the high temperatures surface of this heater and should stay away to avoid burns or ignition of clothing.
- Young children should be carefully supervised when they are in the same room as your heater.
- Under no circumstances should this heater be modified. Parts removed for service should be replaced prior to operating this heater again.
- Installation repair to this heater should be done by a qualified service person. A professional service person should be contacted to inspect this heater annually. Make it a practice to have all of your gas heaters checked annually. More frequent cleaning may be required due to excess lint and dust from carpeting, bedding material, etc.
- Control compartments, burners and air passages in this heater should be kept clean and free of dust and lint. Make sure that the gas valve and pilot light are turned off before you attempt to clean this unit.
- Under no circumstances should any solid fuels (wood, coal, paper or cardboard, etc.) be used in this heater.
- Keep the area around your heater clear of combustible materials, gasoline and other flammable vapor and liquids. This heater should not be used as a drying rack for clothing, nor should Christmas stockings or decorations be hung in the area of it.
- Whether the heater is installed directly on carpeting, vinyl tile or any combustible material other than wood, this heater must be installed on a metal or wood panel extending the full width and depth of the heater.
- Do not install heater in bedroom or bathroom.
- Do not place clothing or other flammable material on or near the appliance.
- Any safety screen or guard removed for servicing an appliance must be replaced prior to operating the heater.
- Do not use this room heater if any part has been under water.

This appliance is intended for supplemental heating.

WARNING: Do not install televisions or other electronic devices above this fireplace unless approved by the electronics manufacturer.

Proposition 65 Warning: Fuels used in gas, wood-burning or oil fired appliances, and the products of combustion of such fuels, contain chemicals known to the State of California to cause cancer, birth defects and other reproductive harm.
California Health & Safety Code Sec. 25249.6

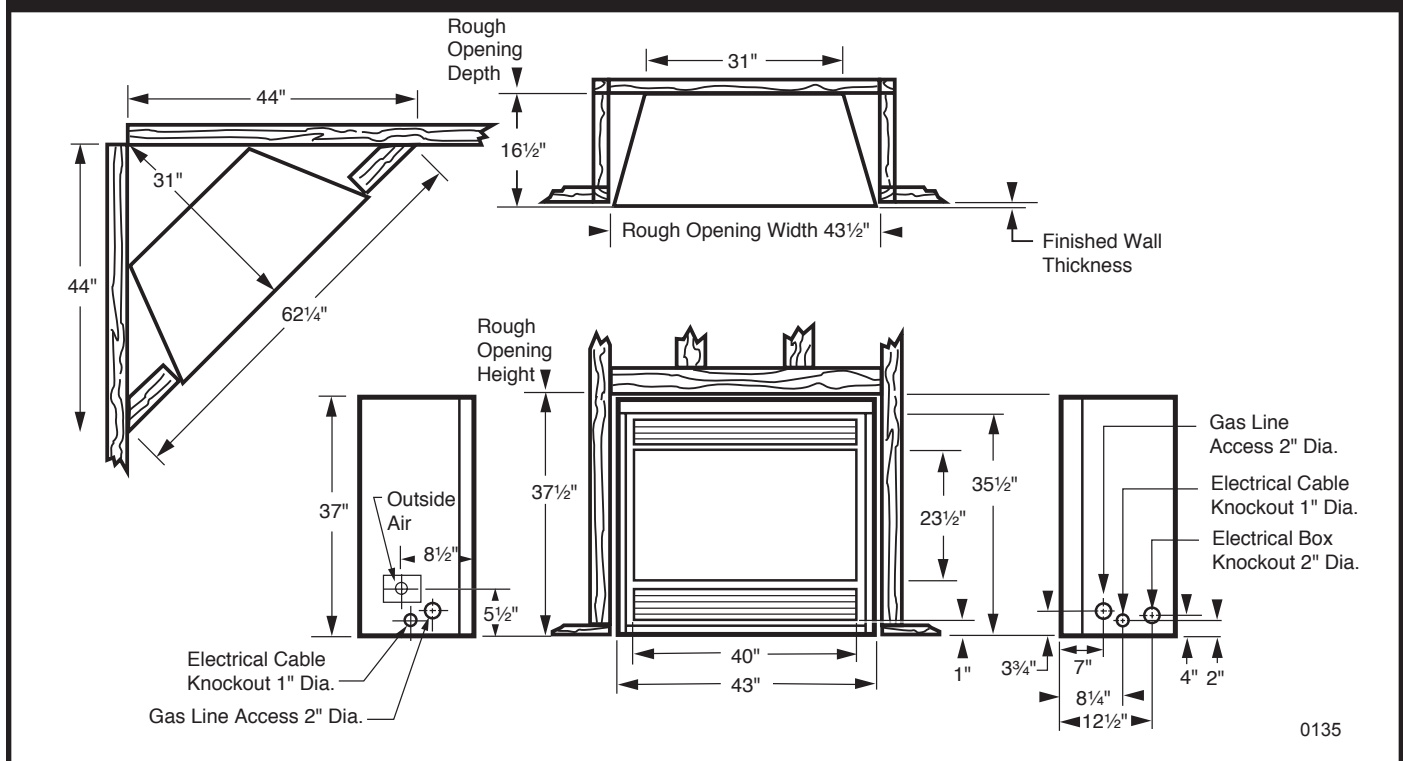
UVC/UVS36 Vent Free Room Heater



0135

Fig. 1 UVC/UVS36 specifications and framing.

UVC/UVS43 Vent Free Room Heater



0135

Fig. 2 UVC/UVS43 specifications and framing.

IMPORTANT:

Please Review the Following Carefully

It is normal for fireplaces fabricated of steel to give off some expansion and/or contraction noises during the start up or cool down cycle. Similar noises are found with your furnace heat exchanger or car engine.

It is not unusual for your gas fireplace to give off some odor the first time it is burned. This is due to the curing of the paint and any undetected oil from the manufacturing process.

Please ensure that your room is well ventilated - open all windows.

It is recommended that you burn your Vermont Castings Majestic Products fireplace for a least six (6) hours the first time you use it. If optional fan kit has been installed, place fan in the "OFF" position during this time.

Safety Devices

Adequate combustion and ventilation air must be provided. The flow of combustion and ventilation air **MUST NOT** be obstructed.

Provide adequate clearances around the air opening into the combustion chamber; and adequate accessibility clearance for servicing and proper operation. **NEVER** obstruct the front opening of the heater or cover the top and bottom louvres (grilles).

These heaters are equipped with a pilot system featuring an Oxygen Depletion Sensor (O.D.S.) shut-off device. All unvented heaters are required to have this system. The O.D.S. pilot will shut down the heater when there is not enough fresh air available.

Report any parts damaged in shipment to your dealer.

Description

The UVC vent-free heaters are unique in featuring two catalytic filters and a frame window with glass that actually clean room air as well as give excellent zone heating.

The UVS vent-free heaters use a frame window with screen mesh that does not use any catalytic filters.

Each model is available as Natural or Propane gas, equipped with a standing pilot.

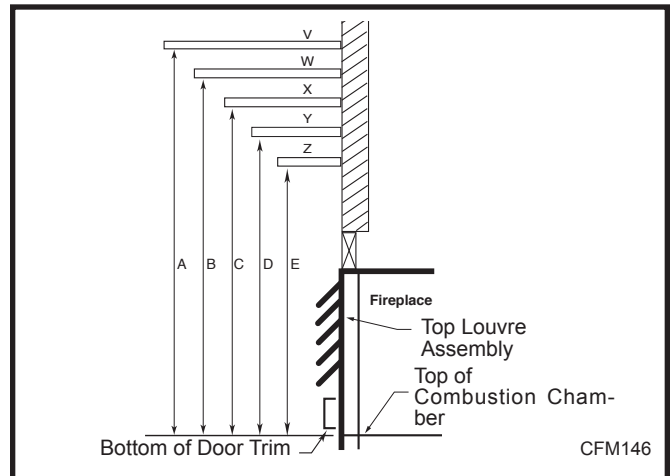
Design-certified to ANSI Z21.11.2a-2003. Gas-Fired Room Heaters — Vol. II, Unvented Room Heaters.

Clearance to Combustibles

Top of unit to ceiling 36" (914 mm)
 Front of unit to combustibles 36 (914 mm)

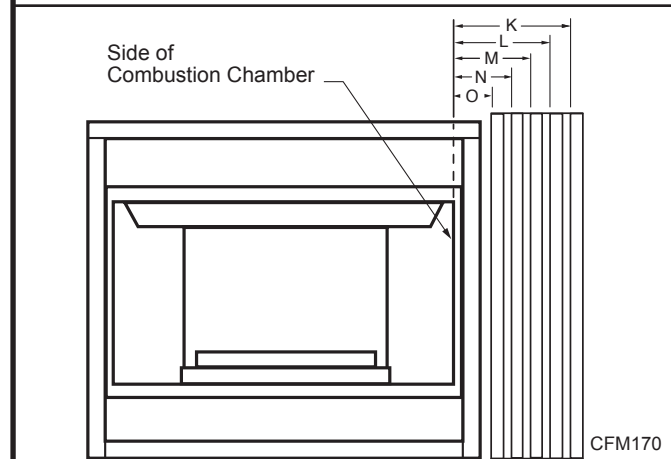
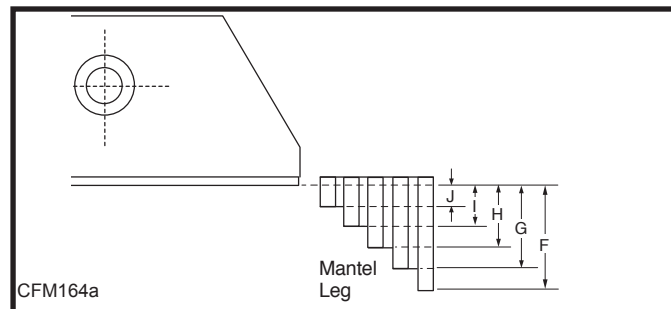
Appliance

Top0" (0 mm)
 Bottom.....0" (0 mm)
 Sides0" (0 mm)
 Back0" (0 mm)
 Perpendicular sidewall6" (152 mm)



Ref.	Mantel Shelf Depth	Ref.	Mantel From Top of Comb. Chamber
V	10" (254 mm)	A	19" (483mm)
W	8" (203 mm)	B	17" (432mm)
X	6" (152 mm)	C	15" (381mm)
Y	4" (101 mm)	D	13" (330mm)
Z	2" (51 mm)	E	11" (279mm)

Fig. 3a Combustible mantel minimum installation.



Ref.	Mantel Leg Depth	Ref.	Mantel Leg From Side of Comb. Opening
F	10" (254 mm)	K	11½" (292 mm)
G	8" (203 mm)	L	9½" (241 mm)
H	6" (152 mm)	M	7½" (191 mm)
I	4" (101 mm)	N	5½" (101 mm)
J	2" (51 mm)	O	3½" (89 mm)

Fig. 3b Combustible mantel leg minimum installation.

Mantels

Depending on the width of the mantel it may be installed higher or lower from the combustion chamber opening. This also applies to the distance between the mantel leg (if installed) and the fireplace. Refer to Figures 3a and 3b for correct mounting heights and widths for combustible mantels and mantel legs.

Noncombustible mantels and legs may be installed at any height above the appliance opening.



When using paint or lacquer to finish the mantel, such paint or lacquer must be heat resistant to prevent discoloration.

Hearth Extension

A hearth extension in front of heater is recommended but not required.

Planning

Planning the installation is an important first step: it will save time and money later in the actual installation. In planning the installation, consider:

1. Where the heater will be located.
2. All components needed to complete the project.

Mounting the Heater

The heater should only be mounted on the following surfaces:

- A flat combustible (burnable) surface.
- A raised wooden platform.
- A concrete block or other solid object placed beneath each of the four corners of the heater.

To mount the heater:

1. Choose unit location.
2. Place unit in position and secure to floor with 1½" screws, or nails. The holes to secure the unit to the floor are located just behind the bottom louver on the left and right hand side of the unit.
3. Frame in heater with a header across the top. It is important to allow for finished face when setting the depth of the frame.
4. Attach heater to frame using adjustable frame drywall strips (located behind access door for shipping). Preset depth to suit facing material (adjustable to 1/2" , 5/8" or 3/4" depths). (Fig. 4)
5. Use existing screws in side of unit to attach drywall strip. Measure from face of heater to face of drywall strip to determine final depth. (Fig. 4)

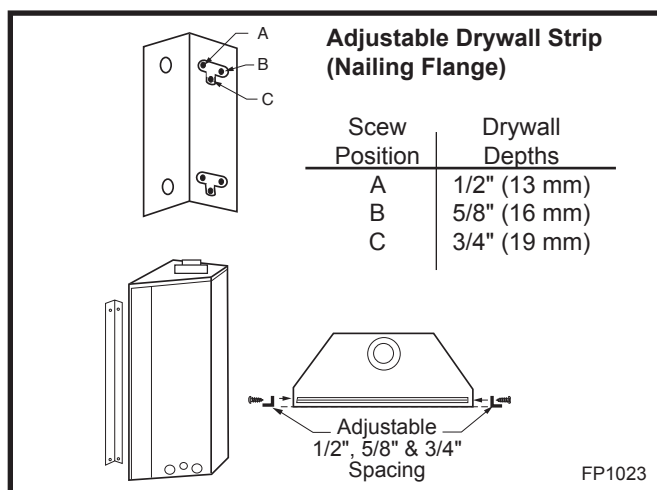


Fig. 4 Adjustable drywall strip (nailing flange).

Framing

Framing can take place before or after the heater is set in place. The framing should be positioned to accommodate the wall covering and facing material. Framing material should be 2x4 or heavier. Framing headers may rest on top of heater. (Refer to Page 4, Figures 1 and 2 for heater and framing dimensions.)

Insulating for Cold Climates

When a heater is installed in a chase or an outside wall, the enclosure should be insulated like any other wall of the home. Insulation should be installed under the heater and on the inside of the exterior walls. (Fig. 5)

NOTE: Insulating for cold climates is strictly a recommendation and not a requirement.

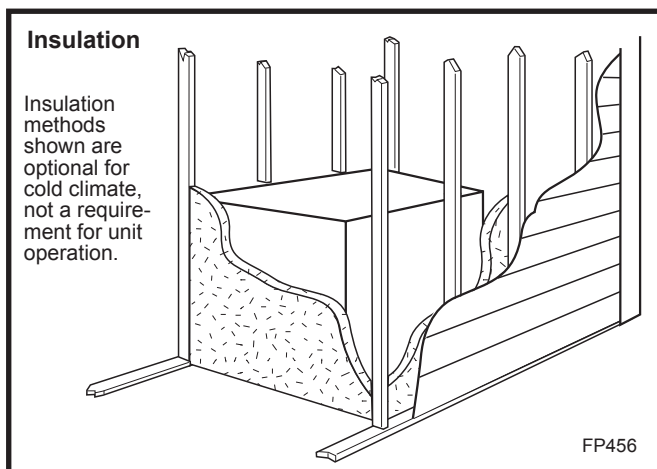


Fig. 5 Insulating for cold climates.

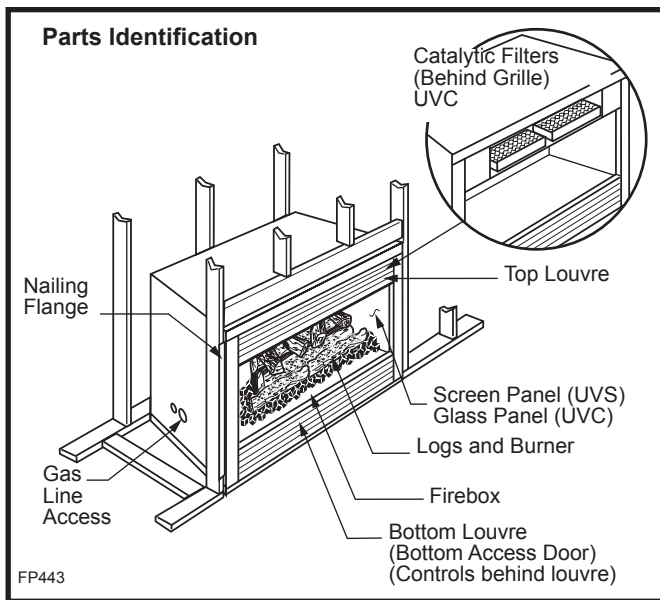


Fig. 6 Parts identification.

Gas Specifications

Model	Fuel	Gas Control	Max. Input B.T.U.H.	Min. Input B.T.U.H.
UVC36RN	Natural	Millivolt Hi/Lo	25,000	17,500
UVC36RP	Propane	Millivolt Hi/Lo	25,000	18,750
UVS36RN	Natural	Millivolt Hi/Lo	25,000	17,500
UVS36RP	Propane	Millivolt Hi/Lo	25,000	18,750
UVC43RN	Natural	Millivolt Hi/Lo	33,000	23,100
UVC43RP	Propane	Millivolt Hi/Lo	33,000	24,750
UVS43RN	Natural	Millivolt Hi/Lo	33,000	23,100
UVS43RP	Propane	Millivolt Hi/Lo	33,000	24,750

UVC36 / UVS36 / UVC43 / UVS43 Certified To

**ANSI Z 21.11.2a-2003
Unvented Room Heaters**

Units: B42A00, B42B00, D42A00, D42B00, B41AS0, B41BS0, D41AS0, D41BS0

Gas Inlet and Manifold Pressures

	Natural	LP
Minimum Inlet Pressure	5.5" w.c.	11.0" w.c.
Maximum Inlet Pressure	14.0" w.c.	14.0" w.c.
Manifold Pressure	3.5" w.c.	10.0" w.c.

High Elevations

Input ratings are shown in BTU per hour and are certified without deration from elevations up to 4,500 feet (1,370m) above sea level.

Nuisance outages may occur at altitudes above 4,500 feet (1,370m) if dirt, dust, lint and/or cobwebs are allowed to accumulate on burner and/or ODS pilot. Monthly inspection and cleaning is recommended for altitudes above 4,500 feet (1,370m)

For elevations above 4,500 feet (1,370m), installations must be in accordance with the current ANSI Z223.1/NFPA 54 and/or local codes having jurisdiction.

The installation of your Majestic Fireplaces room-heater must conform with local codes, or in the absence of local codes, with National Fuel Gas Code, ANSI Z223.1/NFPA 54 — latest edition. (EXCEPTION: Do not derate this appliance for altitude. Maintain the manifold pressure at 3.5 inches w.c. for Natural Gas and 10 inches w.c. for LP gas.)

Gas Supply Pressures

This heater must be isolated from the gas supply piping system by closing its individual manual shut-off valve during any pressure equal to or less than 1/2 psig (3.45 kPa).

The heater and its individual shut-off valve must be disconnected from the gas supply piping system during any pressure testing of that system at test pressures in excess of 1/2 psig (3.45 kPa).

Connect the Gas Line

If gas piping from the source to the heater location has not been accomplished, install the required pipe. Consult local plumbing code to assure proper pipe size.

The gas pipeline can be brought in through the right or left side of the heater, as well as the bottom. Knockouts are provided at convenient locations to allow for the gas pipe installation and testing of any gas connection. It is most convenient to bring the gas line in from the right side, as this allows fan installation or removal without disconnecting the gas line.

NOTE: The gas line connection can be made with properly tinned 3/8" copper tubing, 1/2" rigid pipe or an approved flex connector, then reduced to 3/8" to the heater. Because some municipalities have some additional local codes, it is always best to consult your local authority. Consult the current National Fuel Gas Code, ANSI Z223.1/NFPA 54.

! Always check for gas leaks with a mild soap and water solution. **Do not use an open flame for leak testing.**

The gas control is equipped with a captured screw type pressure test point, therefore it is not necessary to provide a 1/8" test point up stream of the control.

When using copper or flex connector use only approved fittings. **Always provide a union** so the gas line can be easily disconnected for burner or fan servicing. See gas specification for pressure details and ratings. **NOTE:** If flex connector is used, it must be kept inside of the heater. (Fig. 7)

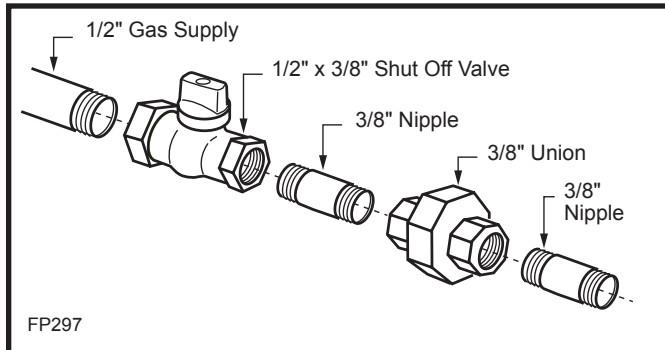


Fig. 7 Typical gas supply installation.

Electrical Connection

! When installed, the heater must be electrically connected and grounded in accordance with local codes or, in the absence of local codes:

U.S. Installations: Follow local codes and the National Electrical Code, ANSI/NFPA No. 70.

NOTE: 110/120 electric power is required to operate blower (fan).

Be sure to leave sufficient excess wire in case minor adjustments are required.

! Any electrical re-wiring of this fan must be done by a qualified electrician.

Whether wiring directly to the fan junction box or into the EB1 (electrical receptacle box, P/N ZA1200) first ensure cable is secured using box connector.

! Turn off all power before hook-up.

Hard (Direct) Wire Hook-Up:

First connect ground wire to ground stud located on the base of either box. Black wire from supply should connect to the variable speed switch. Alternate speed switch wire connects to temperature sensor. Alternate lead from sensor connects to fan. Alternate fan connects back to white supply wire. (Fig. 8)

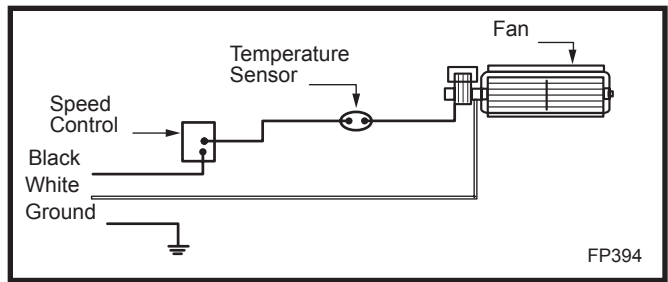


Fig. 8 Wiring diagram.

EB1 (Receptacle) Hook-Up

1. Remove 2" knockout. Slide the electrical box back plate into the back and bottom lances (clips) while fitting the box connector into the knockout. Fasten into place with fastening screws provided. (Fig. 9)
2. Connect the black positive wire to brass screw (polarized side) of the receptacle. The white wire is connected to the chrome screw. The ground wire is connected to the green ground screw of the receptacle. Fit the receptacle into the electrical box.
3. Screw the cover plate provided to the electrical box.

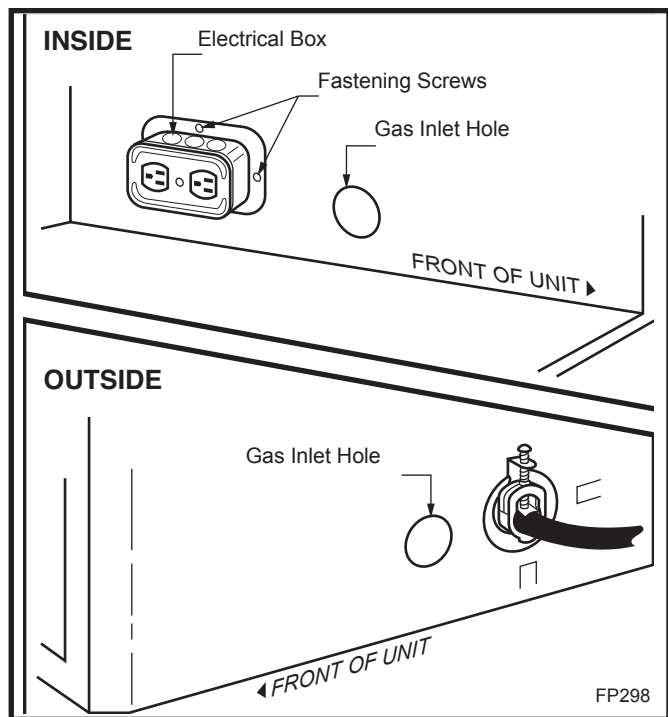


Fig. 8 Junction box (EB-1) hook-up.

Remote Wall Switch

! CAUTION: Do not wire millivolt remote wall switch for gas heater to a 120v power supply. For lighting instructions, see Page 12.

1. Thread wire through the electrical knockout located on either side of unit. Do not cut wire or insulation on metal edges. Ensure that wire is protected. Run the other end to a conveniently located wall receptacle box.

2. Attach wire to switch and install switch into receptacle box. Attach cover plate to switch.
3. Connect wiring to gas valve. (Fig. 10)

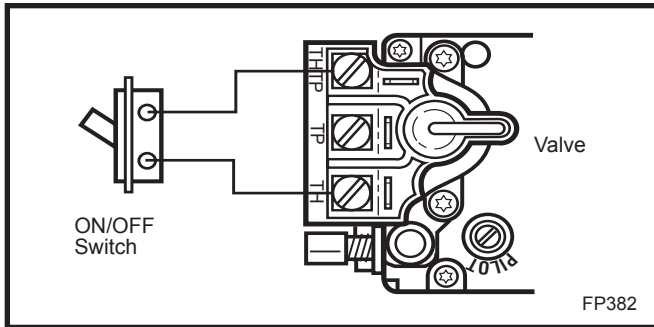


Fig. 10 Remote switch wiring.

Alternate Switch Location

Remote switch can be installed on either side of the access door. Simply mount the switch to the switch bracket provided. Screw the bracket on either side of the frame, lining up the screws with the pre-punched holes. (Fig. 11)

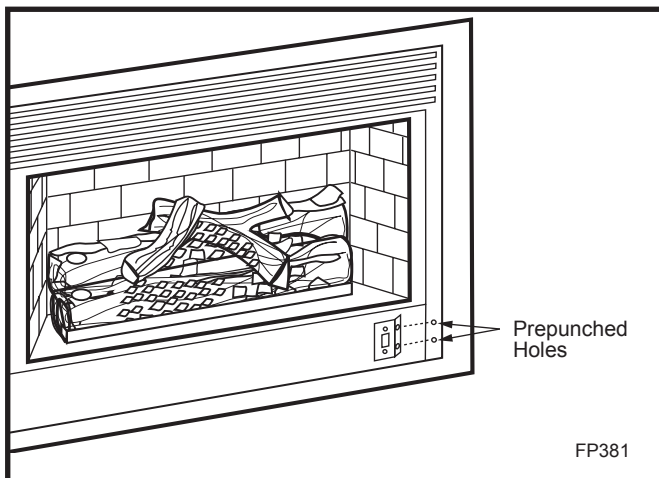


Fig. 11 Installing remote switch bracket.

Slide the Heater in Place

With the electrical and wall switch wiring connected, gently slide or lift the heater to the desired location.

Level and Secure the Heater

If nailing flanges are not already installed, attach flanges with the screws provided.

Make sure heater is level. Shimming may be required.

Secure heater in place by nailing or screwing through nailing flanges into framing. **NOTE:** Be sure to allow proper space for sheet rock.

Finishing

CAUTION: All joints between the finished wall and the heater surround (top and sides) may be sealed only with non-combustible material. Only noncombustible material can be applied as facing to the heater surround (the black painted face).

When finishing the heater, never obstruct or modify the air inlet/outlet top or bottom grilles in any manner.

Finish the wall with the material of your choice. Refer to Page 5, Figure 3 for specific clearances when installing a combustible mantel or other combustible projection.

Operating Instructions

Glass Information

(UVC Only)



Only glass approved by CFM Specialty Home Products should be used on this fireplace.

- The use of any non-approved replacement glass will void all product warranties.
- Care must be taken to avoid breakage of the glass.
- **Do not operate appliance with glass front removed, cracked or broken.**
- **Replacement glass (complete with gasket) is available through your CFM Specialty Home Products dealer and should only be installed by a licensed qualified service person.**

Louvre Removal

To remove the top louvre (grille), lift louvre up and then out. (Fig. 12)

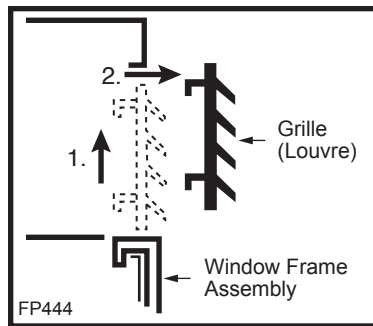


Fig. 12 Louvre installation and removal.

Window Frame Assembly Removal

1. Shut off gas. (See Lighting Instructions)
2. Let the unit cool if it has been operating.
3. Remove top louvre. (See Top Louvre Removal)
4. Open the bottom louvre assembly.
5. Release the two clamps at the bottom of the window frame by pulling down on the clamp handles.
6. Lift off the window frame assembly as shown in Figure 13.
7. To reinstall window frame assembly follow the above procedure in reverse. (Fig. 13)

Glass Cleaning

It will be necessary to clean the glass periodically. During start-up, condensation, which is normal, forms on the inside of the glass and causes lint, dust and other airborne particles to cling to the glass surface. Also, initial paint curing may deposit a slight film on the glass. It is therefore recommended that the glass be cleaned two or three times with non-ammonia household

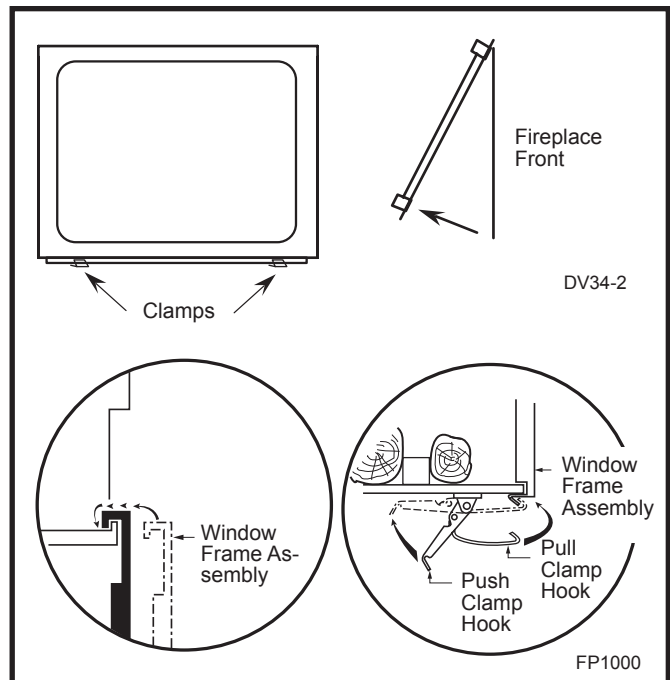


Fig. 13 Window Frame installation and removal.

cleaner and warm water (we recommend gas fireplace glass cleaner). After that the glass should be cleaned two or three times during each heating season depending on the circumstances present.



Clean glass after first two weeks of operation.

Log Installation

Refer to Figures 14 and 15 for correct log placement.

1. Remove window frame assembly. (See "Window Frame Assembly" section)
2. Remove logs from packaging.



As with all plastic - these are not toys and should be kept away from children and infants.

3. Place rear log (BE8 or BF10) on rear bracket (ensure log is seated properly, leveled and centered to the unit), so it will not move from side to side and it is firmly positioned on the bracket.
4. Place front left log (BE6 or BF8) on top of burner, left side. Use log's bottom holes to locate it onto the left bracket log locator studs.
5. Place front right log (BE7 or BF9) on top of burner, right side. Use log's bottom holes to locate it onto the left bracket log locator studs.
6. Place ember material on top of burner. (See "Ember Material Placement" section).

- Place top left log (BE9 or BF11) onto locator notches. Ensure log is secure.
- Place top right log (BE10 or BF12) onto locator notches. Ensure log is secure.

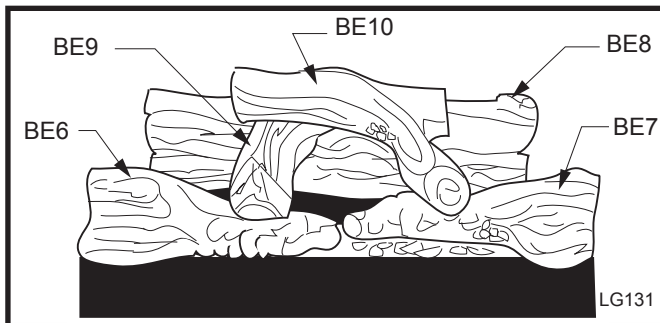


Fig. 14 UVC/UVS36 log placement.

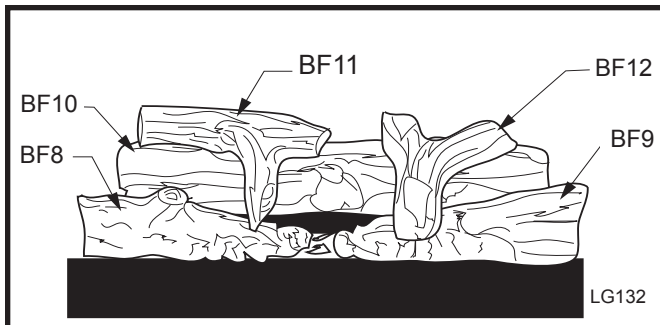


Fig. 15 UVC/UVS43 log placement.

Ember Material Placement

Separate the ember material into small pieces and place onto the burner in front of the front logs. Do NOT pack down, leave in fluffy, loose condition for most realistic ember effects. **Do not install more embers on the burner than come with the unit.**

Application of excess loose material may adversely affect performance of the heater.

Replacement loose embers must be purchased through authorized Majestic Fireplaces dealers.



WARNING: All previously applied loose material must be removed prior to reapplication.

Lava Rock

The lava rock provided with this fireplace must be placed on the firebox bottom on either side of the burner assembly. Do not place lava rock in combustion pan.



Under no circumstances should this lava rock be placed on any part of the burner assembly.

Flame Adjustment

For fireplaces equipped with HI/LO valves, flame adjustment is accomplished by rotating the HI/LO adjustment knob located near the center of the gas control.

(Fig. 16)

20000135



Fig. 16 Flame adjustment knob for Honeywell Valve.

Flame Characteristics

It is important to periodically perform a visual check of the pilot and burner flames. Compare them to the Figures 17 or 18. If the flame patterns appear abnormal, contact a qualified service provider for service and adjustment.

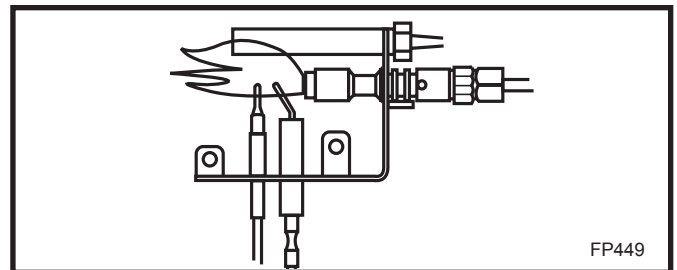
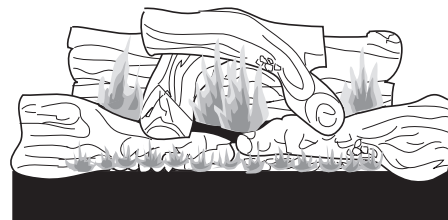


Fig. 17 Correct pilot flame pattern.

UVC36/UVS43



UVC43/UVS43



Fig. 18 Approximate flame heights for each model.

First Firing

Upon completing the gas line connection, a small amount of air will be in the lines. When first lighting unit with pilot light, it will take a few minutes to purge themselves of this air. Once the purging is complete, the pilot and burner will light and operate as indicated in the instruction manual. Subsequent lightings of the heater will not require such purging.

When lit for the first time, the appliance will emit a slight odor for awhile. This is due to paint and lubricants used in the manufacturing process. After each lighting, vapor may condense and fog the glass; this moisture disappears within a few minutes of burning.


Lighting And Operating Instructions

FOR YOUR SAFETY READ BEFORE LIGHTING

WARNING: If you do not follow these instructions exactly, a fire or explosion may result causing property damage, personal injury or loss of life.

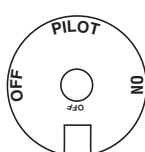
- A. This heater has a pilot which must be lit manually. When lighting the pilot follow these instructions exactly.
 - B. BEFORE LIGHTING smell all around the heater area for gas. Be sure to smell next to the floor because some gas is heavier than air and will settle on the floor.
- WHAT TO DO IF YOU SMELL GAS**
- Do not try to light any fireplace
 - Do not touch any electric switch
 - Do not use any phone in your building
 - Immediately call your gas supplier from a neighbor's phone. Follow the gas supplier's instructions.
- C. If you cannot reach your gas supplier, call the Fire Department
 - D. Use only your hand to push in or turn the gas control knob. Never use tools. If the knob will not push in or turn by hand, do not try to repair it, call a qualified service technician. Applying force or any attempted repair may result in a fire or explosion.
 - E. Do not use this fireplace if any part has been under water. Immediately call a qualified service technician to inspect the heater and to replace any part of the control system and any gas control which has been under water.

Lighting Instructions

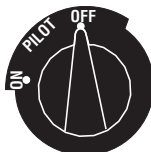
1. **STOP!** Read the safety information above.
2. Turn off all electrical power to the fireplace.
3. For MN/MP/TN/TP appliances ONLY, go on to Step 4. For RN/RP appliances turn the On/Off switch to "OFF" position or set thermostat to lowest level.
4. Open control access panel.
5. Push in gas control knob slightly and turn clockwise  to "OFF".




Euro SIT



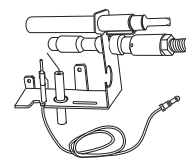
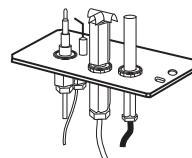
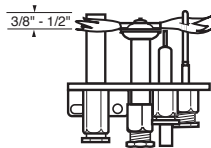
SIT NOVA



Honeywell

6. Wait five (5) minutes to clear out any gas. Then smell for gas, including near the floor. If you smell gas, STOP! Follow "B" in the safety information above. If you do not smell gas, go to the next step.
7. Remove glass door before lighting pilot. (See Glass Frame Removal section).
8. Visibly locate pilot by the main burner.
9. Turn knob on gas control counterclockwise  to "PILOT".

10. Push the control knob all the way in and hold. Immediately light the pilot by repeatedly depressing the piezo spark ignitor until a flame appears. Continue to hold the control knob in for about one (1) minute after the pilot is lit. Release knob and it will pop back up. Pilot should remain lit. If it goes out, repeat steps 5 through 8.



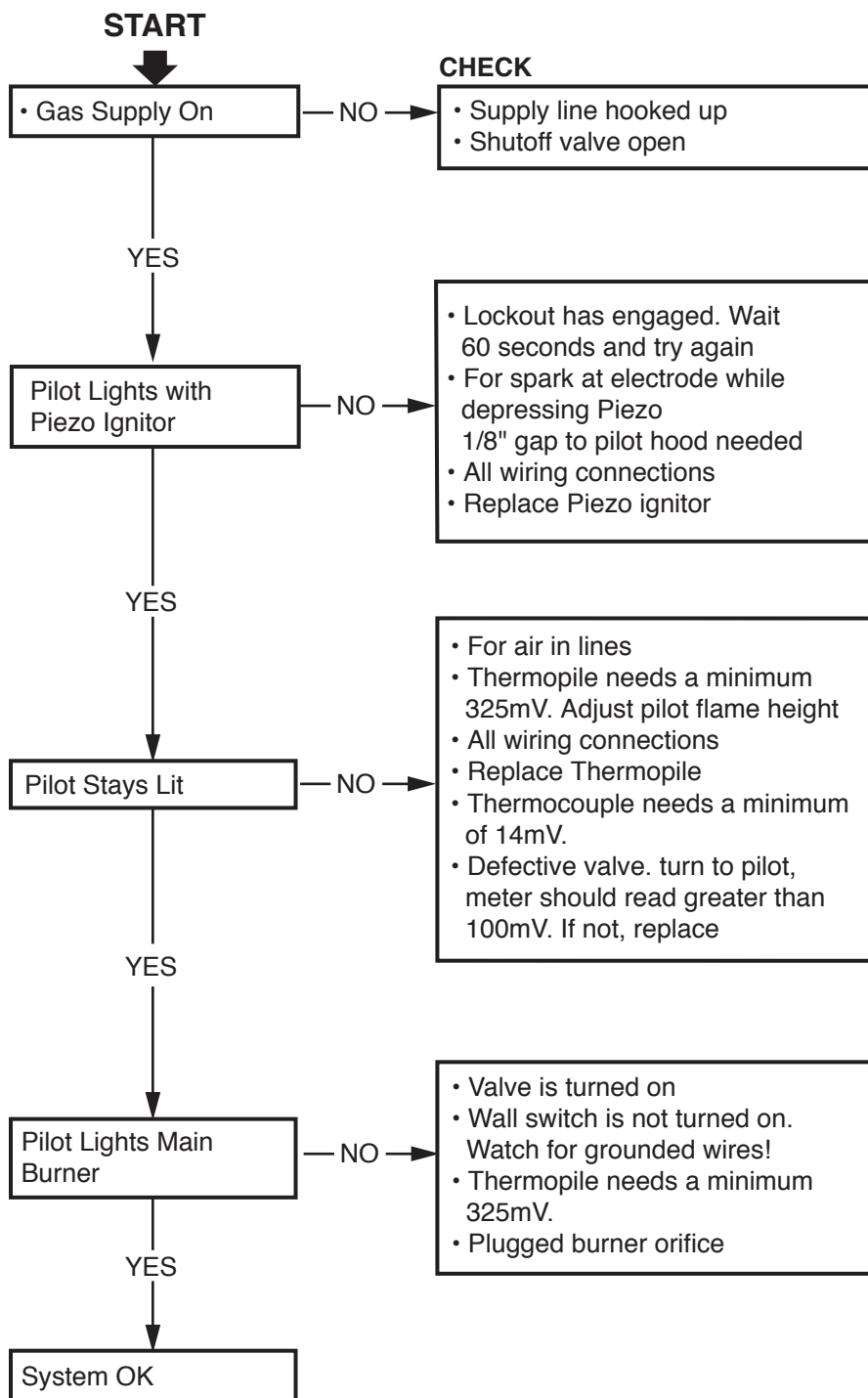
- If knob does not pop up when released, stop and immediately call your service technician or gas supplier.
 - If after several tries, the pilot will not stay lit, turn the gas control knob to "OFF" and call your service technician or gas supplier.
11. Replace glass door.
 12. Turn gas control knob to "ON" position.
 13. For RN/RP appliances turn the On/Off switch to "ON" position or set thermostat to desired setting.
 14. Turn on all electrical power to the fireplace.

To Turn Off Gas To Heater

1. Turn the On/Off switch to Off position or set the thermostat to lowest setting.
2. Turn off all electric power to the fireplace if service is to be performed.
3. Open control access panel.
4. Push in gas control knob slightly and turn clockwise  to "OFF". Do not force.
5. Close control access panel.

Troubleshooting

Nova SIT 820



FP396A

Maintenance

Burner and Burner Compartment

It is important to keep the burner and the burner compartment clean. At least once per year the logs and lava rock/ember material should be removed and the burner compartment vacuumed and wiped out. Remove and replace the logs as per the instructions in this manual.

Always handle the logs with care as they are fragile and may also be hot if the fireplace has been in use.

FK24 Fan Assembly

The fan unit requires periodic cleaning. At least once per month in the operating season, open the lower louver panels and wipe or vacuum the area around the fan to remove any build up of dust or lint.

Cleaning the Standing Pilot Control System

The burner and control system consists of:

- main burner
- pilot burner
- gas orifice
- thermopile
- combination millivolt gas valve

Most of these components may require only an occasional checkup and cleaning and some may require adjustment. If repair is necessary, it should be performed by a qualified technician.

In order to properly clean the burner and pilot assembly, turn off the gas to the unit, remove the window frame panel and logs exposing the burner and pilot assembly. Clean all foreign materials from the top of the burner. Check to make sure that burner parts are clean. Visually inspect pilot. Brush or blow away any dust or lint accumulation. If pilot orifice is plugged, disassembly may be required to remove any foreign material from the orifice or tubing.

To obtain proper operation, it is imperative that the pilot and burner's flame characteristics are steady, not lifting or floating.

Typically, the top 1/8" of the thermopile should be engulfed in the pilot flame. (Fig. 19)

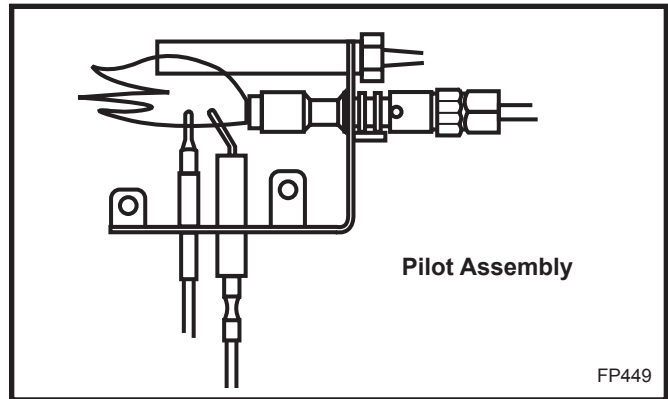


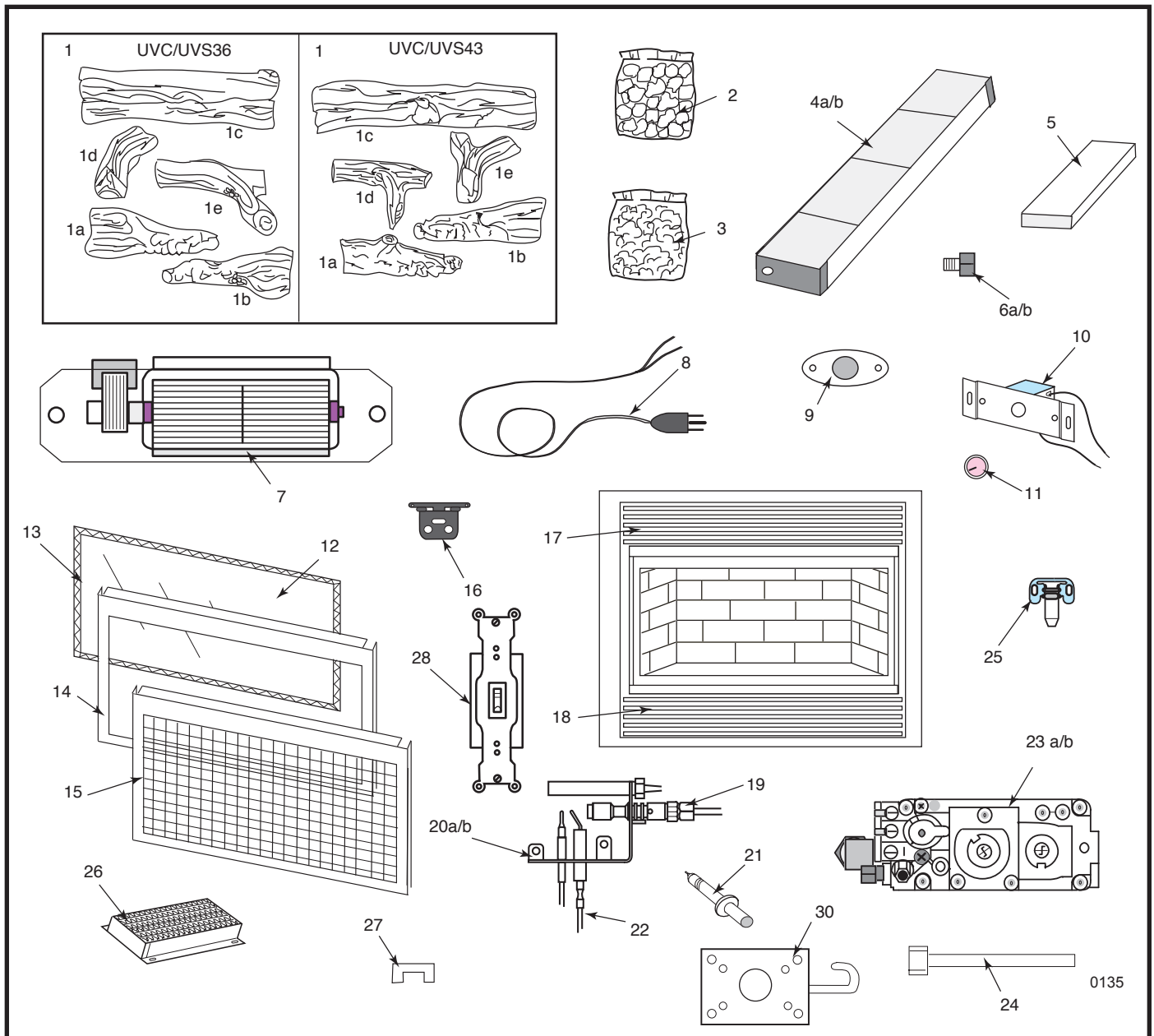
Fig. 19 Proper pilot flame height.

Cleaning Catalytic Filters (UVC Only)

The catalytic filters require cleaning at least once a year to work effectively.

To clean catalytic filters:

1. From inside the combustion area, remove the 4 hex nuts holding the filter; lower filter down and out.
2. Clean the outer surface of the filter with the brush attachment of your vacuum sweeper to remove loose dirt.
3. Submerge the filter in a mild soapy water solution, then rinse thoroughly with distilled or deionized water.
4. Replace in heater when dry.
5. Repeat with second filter.



CFM Specialty Home Products reserves the right to make changes in design, materials, specifications, prices and discontinue colors and products at any time, without notice.

UVC/UVS 36/43 Vent Free Heaters

Ref.	Description	UVC36	UVS36	UVC43	UVS43
1.	Log Set Complete	10000547	10000547	10000562	10000562
1a.	Log Front Left	BE6	BE6	BF8	BF8
1b.	Log Front Right	BE7	BE7	BF9	BF9
1c.	Log Rear	BE8	BE8	BF10	BF10
1d.	Log Top Left	BE9	BE9	BF11	BF11
1e.	Log Top Right	BE10	BE10	BF12	BF12
2.	Lava Rock Package	55255	55255	55255	55255
3.	Ember Package	10000550	10000550	10000550	10000550
4a.	Burner with Tiles - Natural	20000075	20000075	20000111	20000111
4b.	Burner with Tiles - LP	10000555	10000555	10000152	10000152
5.	Ceramic Tile (Single)	57803	57803	57803	57803

UVC/UVS 36/43 Vent Free Heaters (continued)

Ref.	Description	UVC36	UVS36	UVC43	UVS43
6a.	Orifice Main Burner - Natural	See Rating Plate for Orifice Size			
6b.	Orifice Main Burner - LP	See Rating Plate for Orifice Size			
7.	Fan with Bracket (FK24)	54103	54103	54103	54103
8.	Electrical Cord (6ft.)	51865	51865	51865	51865
9.	Fan Temperature Sensor	51704	51704	51704	51704
10.	Speed Control	51738	51738	51738	51738
11.	Speed Control Knob	51882	51882	51882	51882
12.	Glass with Gasket	55686	-	57438	-
13.	Gasket Glass	57317	-	57317	-
14.	Frame Window	57937	-	57977	-
15.	Frame Window w/Screen	-	10000148	-	10000153
16.	Access Door Hinge	52356	52356	52356	52356
17.	Louvre Top Assembly	10000037	10000037	10000041	10000041
18.	Louvre Bottom Assembly	10000038	10000038	10000042	10000042
19.	Pilot Tubing w/Fittings	10000150	10000150	10000150	10000150
20a.	Pilot Assembly - Natural ODS	55464	55464	55464	55464
20b.	Pilot Assembly - LP ODS	10001647	10001647	55465	55465
21.	Ignitor Piezo	52464	52464	52464	52464
22.	Cable Ignitor	20000101	20000101	20000101	20000101
23a.	Valve Nova - Natural	55463	55463	55463	55463
23b.	Valve Nova - LP	55462	55462	55462	55462
24.	Manifold Tubing w/Fittings	57318	57318	57318	57318
25.	Clamp Frame Window	54174	54174	54174	54174
26.	CO Catalyst Filter	55629	-	55629	-
27.	Bracket CO Catalyst Holder	56255	-	56255	-
28.	Remote Switch	51842	51842	51842	51842
29.	Remote Switch Kit (Not Shown)	53875	53875	53875	53875
30.	O.S.A. Assy	3547900	3547900	3547900	3547900

Contact CFM Specialty Home Products for questions concerning prices and policies covering replacement parts. Parts may be ordered through your Majestic Fireplaces distributor or dealer.

You will need the following information when ordering replacement parts:

1. The heater model number.
2. The serial number.
3. A description of the part.

Should you need additional information beyond what your dealer can furnish, contact:

CFM Specialty Home Products
 410 Admiral Blvd.
 Mississauga, Ontario
 Canada, L5T 2N6

Model and serial numbers are listed on the rating plate (located on right side of combustion chamber).

Record your model and serial numbers here for future reference:

Model # _____

Serial # _____

Optional Accessories

Fan Kit

FK24 Fan Assembly

Fan specifications: 120 volt, 60 Hz, .75 Amps

This fan does not need regular maintenance, however periodic cleaning is required. Check the area under the control door and in front of the fan and wipe or vacuum at least once a month during the operating season. Should this fan require servicing, the power supply must be disconnected.

The FK-24 comes with the electrical cord attached.

- Slide fan assembly from the left side into the fireplace opening, line up mounting holes with screw studs on back of fireplace and fasten with #10-24 hex nuts.
- Install thermal sensor on bottom of firebox using #10-24 hex nuts.
- (Option A)** - Place electronic fan speed control box on bottom of fireplace base, lining up mounting holes with screw studs. Fasten fan speed control box with #10-24 hex nuts.
(Option B) - The speed control can be installed in an electrical box at normal wall switch height for convenient access.
- The power supply may be connected in 2 ways:
Method A - route the 6' (1.8m) lead fitted to the unit to a conveniently located wall socket.
Method B - If the EB-1 receptacle box (Pt. #ZA1200) was correctly connected when the unit was installed, the fan lead can be directly plugged into the EB-1 plug socket.
- Whether wiring directly to the fan junction box, (Option A) or into the EB-1 (Option B), first ensure cable is secured using box connector.

The fireplace, when installed must be electrically connected and grounded in accordance with local codes or, in the absence of local codes, with the current CSA C22.1 Canadian Electrical Code or for US installations, follow local codes and the National Electrical Code, ANSI/NFPA No. 70.

Hard (Direct) Wire Hook-Up

First connect the ground wire to the ground stud located on the base of either box. Black wire from supply should connect to the variable speed switch. Alternate speed switch wire connects to temperature sensor. Alternate lead from sensor connects to fan. Alternate fan lead connects back to the white supply wire. (Fig. 20)



Any electrical rewiring of this fan must be completed by a qualified electrician.

Turn off all power before hook-up.

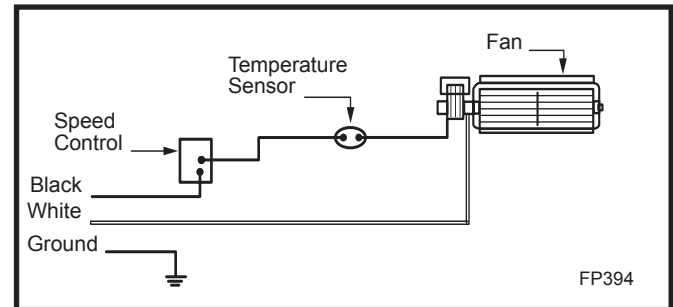


Fig. 20 FK-24 wiring.

Remote Controls

Optional remote control units are available to control different functions of the appliance.

Model	Function(s) Controlled
MRC1	ON/OFF
MRC2	ON/OFF and Temperature
MRC3	ON/OFF and Temperature control with a digital and a programmable 24 hour clock
IMT	Wall mounted thermostat control

Ceramic Refractory Panels

Ceramic refractory panels are available to line the firebox area.

Unit	Kit Model
UVC36	UV36CR
UVS36	UV36CR
UVC43	UV43CR
UVS43	UV43CR

Take care when handling the refractory panels as they are fragile until held in place and supported.

Arched Door Front

The arched door front kit is designed to visually enhance the appearance of the UVC36 fireplace only.

DV36ADKP	Polished Brass
DV36ADKA	Antique Brass

Decorative Frame Trims

A selection of decorative frame trim kits are available for mounting around the outside of the appliance to enhance its visual effect on the room. Installation instructions for each decorative frame trim are included with the frame trim kit.

Unit	Kit Model
UVC/UVS36	DV36GTP/DV36GTA
	DV36TKP/DV36TKA
	DV36KMP/DV36KMA
	DV36KWP/DV36KWA
UVC/UVS43	DV43GTP/DV43GTA
	DV43TKP/DV43TKA
	DV43KMP/DV43KMA
	DV43KWP/DV43KWA

Decorative Bay Window

Available for the UVC36 only.

When fitting the Bay Window Kit, the original front frame/glass assembly MUST remain in place. The Bay Window Kit is fitted over the existing front glass.

Installation

1. Remove the existing louvre assembly bottom complete with the hinges.
2. Remove the louvre assembly top.
3. Assemble the Bay Window Kit according to the instructions supplied with the kit.
4. Place the 2 pieces of ceramic refractory along the base of the bay window. (Fig. 21)
5. Hang the bay window assembly over the existing window frame assembly.
6. Reinstall the louvre assembly top.
7. Do not remove the existing window frame assembly.

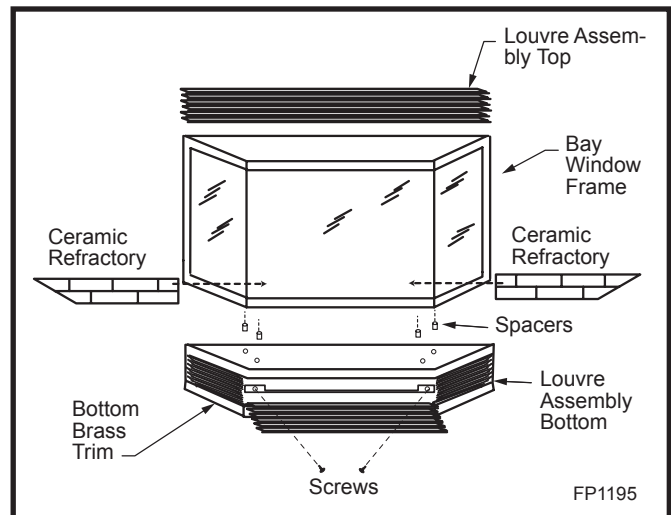


Fig. 21 Bay window.

EB-1 Electrical Box

Junction box for fan installations.

Outside Air Termination

The AK-1 completes the connection from outside air kit to out-of-doors. (Does not include 4" flex duct.)

LIMITED LIFETIME WARRANTY

PRODUCT COVERED BY THIS WARRANTY

All Vermont Castings gas stoves, gas inserts, and gas fireplaces, and all Majestic or Northern Flame

BASIC WARRANTY

CFM Specialty Home Products (hereinafter referred to collectively as the Company) warrants that your new Vermont Castings or Majestic Gas Fireplace/Stove is free from manufacturing and material defects for a period of one year from the date of purchase, subject to the following conditions and limitations.

EXTENDED LIFETIME WARRANTY

The heat exchanger, where applicable, and combustion chamber of every Vermont Castings or Majestic gas product is warranted for life against through wall perforation. All appliances equipped with an Insta-Flame Ceramic Burner have limited lifetime coverage on the ceramic burner plaque. Warrantees are made to the original owner subject to proof of purchase and the conditions and limitations listed on this Warranty Document

COMPONENT WARRANTY

CAST IRON: All external and internal cast iron parts are warranted for a period of three years.

Note: On porcelain enamel finished external parts and accessories The Company offers no Warranty on chipping of enamel surfaces. Inspect all product prior to accepting it for any damage to the enamel.

The salt air environment of coastal areas or a high humidity environment can be corrosive to the porcelain enamel finish. These conditions can cause rusting of the cast iron beneath the porcelain enamel finish, which will cause the finish to flake off.

Dye lot variations with replacement parts and/or accessories can occur and are not covered by warranty.

GLASS DOORS: Glass doors are covered for a period of one year. Glass doors are not warranted for breakage due to misuse or accident. Glass doors are not covered for discoloration or burned in stains due to environmental issues, or improper cleaning and maintenance.

BRASS PLATED PARTS AND ACCESSORIES: Brass parts should be cleaned with Lemon oil only. Brass cleaners cannot be used. Mortar mix and masonry cleaners may corrode the brass finish. The Company will not be responsible for, nor will it warrant any brass parts which are damaged by external chemicals or down draft conditions.

GAS VALVES: Gas valves are covered for a period of one year

ELECTRONIC AND MECHANICAL COMPONENTS: Electronic and mechanical components of the burner assembly are covered for one year. All steel tube burners are warranted for one year.

ACCESSORIES: Unless otherwise noted all components and CFM Specialty Home Products company supplied accessories are covered for a period of one year.

CONDITIONS AND LIMITATIONS

- This new Vermont Castings or Majestic product must be installed by a competent, authorized, service contractor. A licensed technician, as prescribed by the local jurisdiction must perform any installation/service work. It must be installed and operated at all times in accordance with the Installation and Operating instructions furnished with the product. Any alteration, willful abuse, accident, or misuse of the product shall nullify this warranty.
- This warranty is non-transferable, and is made to the original owner, provided that the purchase was made through an authorized supplier of the Company.
- The customer must pay for any Authorized Dealer in-home travel fees or service charges for in-home repair work. It is the dealers option whether the repair work will be done in the customer's home or in the dealer's shop.
- If upon inspection, the damage is found to be the fault of the manufacturer, repairs will be authorized at no charge to the customer parts and/or labor.

- Any part and/or component replaced under the provisions of this warranty is covered for six months or the remainder of the original warranty, whichever is longest.
- This warranty is limited to the repair of or replacement of part(s) found to be defective in material or workmanship, provided that such part(s) have been subjected to normal conditions of use and service, after said defect is confirmed by the Company's inspection.
- The company may, at its discretion, fully discharge all obligations with respect to this warranty by refunding the wholesale price of the defective part(s)
- Any installation, labor, construction, transportation, or other related costs/expenses arising from defective part(s), repair, replacement, or otherwise of same, will not be covered by this warranty, nor shall the Company assume responsibility for same. Further, the Company will not be responsible for any incidental, indirect, or consequential damages except as provided by law.
- SOME STATES DO NOT ALLOW FOR THE EXCLUSION OR LIMITATIONS OF INCIDENTAL AND CONSEQUENTIAL DAMAGES OR LIMITATIONS ON HOW LONG AN IMPLIED WARRANTY LASTS, SO THE ABOVE LIMITATIONS MAY NOT APPLY TO YOUR CIRCUMSTANCES. THIS WARRANTY GIVES YOU SPECIFIC RIGHTS AND YOU MAY HAVE OTHER RIGHTS WHICH VARY FROM STATE TO STATE.
- All other warranties-expressed or implied- with respect to the product, its components and accessories, or any obligations/liabilities on the part of the Company are hereby expressly excluded.
- The Company neither assumes, nor authorizes any third party to assume on its behalf, any other liabilities with respect to the sale of this Vermont Castings or Majestic product
- The warranties as outlined within this document do not apply to chimney components or other non CFM Specialty Home Products accessories used in conjunction with the installation of this product..
- Damage to the unit while in transit is not covered by this warranty but is subject to claim against the common carrier. Contact the dealer from whom you purchased your fireplace/stove (do not operate the appliance as this might negate the ability to process the claim with the carrier).
- The Company will not be responsible for:
 - a) Down drafts or spillage caused by environmental conditions such as near-by trees, buildings, roof tops, hills, or mountains.
 - b) Inadequate ventilation or negative air pressure caused by mechanical systems such as furnaces, fans, clothes dryers, etc.
- This warranty is void if:
 - a) The fireplace has been operated in atmospheres contaminated by chlorine, fluorine, or other damaging chemicals.
 - b) The fireplace has been subjected to prolonged periods of dampness or condensation
 - c) Any damages to the fireplace, combustion chamber, heat exchanger or other components due to water, or weather damage, which is the result of but not limited to, improper chimney/venting installation.
 - d) Any alteration, willful abuse, accident, or misuse of the product has occurred.

IF WARRANTY SERVICE IS NEEDED...

- 1) Contact your supplier. Make sure you have your warranty, your sales receipt, and the model/serial number of your CFM Specialty Home Products product.
- 2) DO NOT ATTEMPT TO DO ANY SERVICE WORK YOURSELF.

NATIONAL
FIREPLACE
INSTITUTE®



CERTIFIED
www.nficertified.org

We recommend that our gas hearth products be installed and serviced by professionals who are certified in the U.S. by the National Fireplace Institute® (NFI) as NFI Gas Specialists.

CFM Specialty Home Products

410 Admiral Blvd. • Mississauga, Ontario, Canada L5T 2N6 • 905-670-7777
www.majesticproducts.com • www.vermontcastings.com